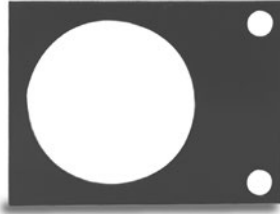


RoughDeck® Scale Base



Part Number/Price

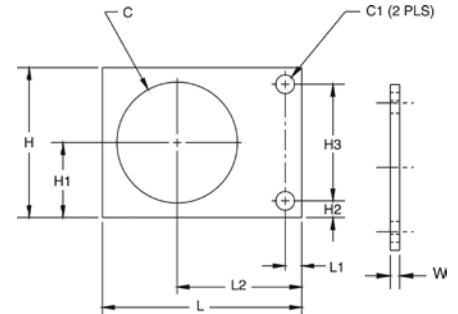
| Part # | Description | Price |
|--------|-------------------------------------|---------|
| 19075 | Mild steel, 1,000 to 10,000 lb | Consult |
| 19076 | Stainless steel, 1,000 to 10,000 lb | Consult |

Dimensions

| Part # | C | C1 | H | H1 | H2 | H3 | L | L1 | L2 | W |
|--------|---------|---------|---------|---------|---------|---------|---------|---------|---------|---------|
| 19075 | 3.62 in | 0.56 in | 4.50 in | 2.25 in | 0.50 in | 3.50 in | 6.00 in | 0.50 in | 3.75 in | 0.25 in |
| 19076 | 3.62 in | 0.56 in | 4.50 in | 2.25 in | 0.50 in | 3.50 in | 6.00 in | 0.50 in | 3.75 in | 0.25 in |

Standard Features

- Secures RoughDeck and other popular floor scales
- Prevents movement in horizontal plane
- Useful with SureFoot™ and other load cell foot assemblies
- Available in stainless steel and mild steel



Summit® 3000 Scale Base



Part Number/Price

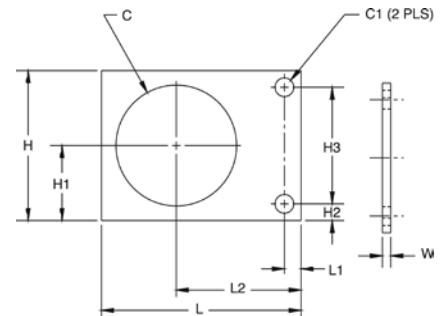
| Part # | Description | Price |
|--------|--------------------------------|---------|
| 76149 | Mild steel, 2,000 to 10,000 lb | Consult |

Dimensions

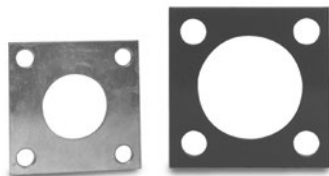
| Part # | C | C1 | H | H1 | H2 | H3 | L | L1 | L2 | W |
|--------|---------|---------|---------|---------|---------|---------|---------|---------|---------|---------|
| 76149 | 3.19 in | 0.56 in | 4.50 in | 2.25 in | 0.50 in | 3.50 in | 6.00 in | 0.50 in | 3.75 in | 0.25 in |

Standard Features

- Mounting plate for Summit® 3000 floor scales



Floor Scale Base



Part Number/Price

| Part # | Description | Price |
|--------|------------------------------------|---------|
| 18737 | Mild steel, 1,000 to 10,000 lb | Consult |
| 18738 | Mild steel 10,000 to 20,000 lb | Consult |
| 18751 | Stainless steel 1,000 to 10,000 lb | Consult |

Dimensions

| Part # | C | C1 | H | H1 | H2 | H3 | L | L1 | L2 | L3 |
|--------|---------|---------|---------|---------|---------|---------|---------|---------|---------|---------|
| 18737 | 2.00 in | 0.53 in | 4.00 in | 2.00 in | 0.50 in | 3.00 in | 4.00 in | 2.00 in | 0.50 in | 3.00 in |
| 18738 | 3.25 in | 0.81 in | 5.00 in | 2.50 in | 0.75 in | 3.50 in | 5.00 in | 2.50 in | 0.75 in | 3.50 in |
| 18751 | 2.00 in | 0.53 in | 4.00 in | 2.00 in | 0.50 in | 3.00 in | 4.00 in | 2.00 in | 0.50 in | 3.00 in |

Standard Features

- Suitable for use with leveling pads
- Generic mounting plate for popular floor scales
- Fits most floor scale foot assemblies
- Available in stainless steel and mild steel (mild steel parts are zinc plated/painted)

