

INDICATORS

820i® Universal Indicator/Controller

Main Assembly



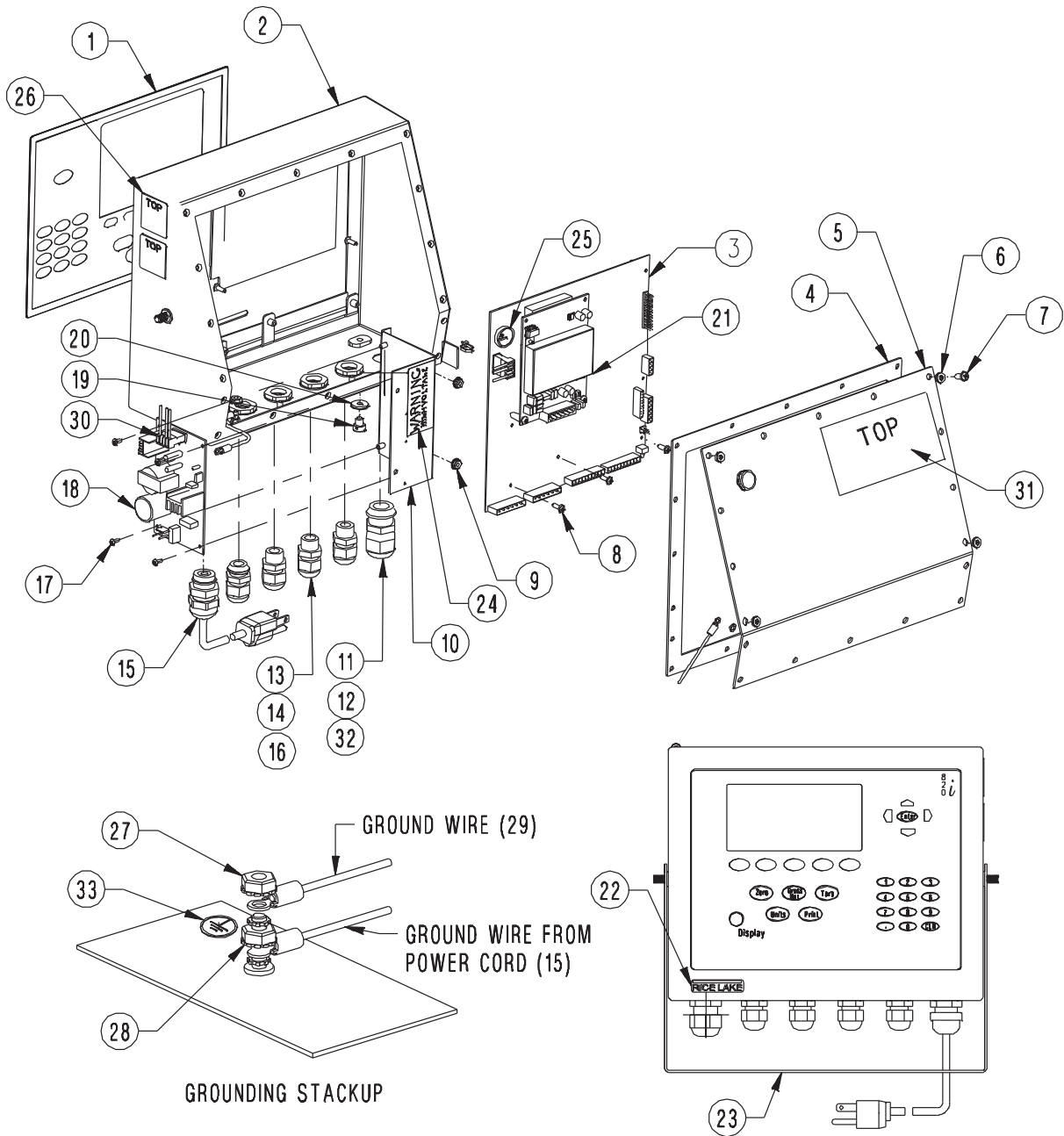
Part Number/Price

Ref#	Part#	Description	Price
	93018	Installation manual 820i	Consult
	94140	Parts kit, 820i dual	Consult
	94139	Parts kit, 820i single	Consult
Components of Part# 94139			
	15887	Connector, 6-position J7-J8 LC A/D	Consult
	19538	Post, slotted back	Consult
	42149	Bumper, rubber grommet	Consult
	83569	Clear protective overlay	Consult
	53075	Clamp, ground shield clamp	Consult
	103610	Knob, black with 1/4-20 post	Consult
	68403	Knob, black 2 prong	Consult
	71344	Connector, 10-position J5 and J11	Consult
	76513	Connector, 4-position J9	Consult
	76514	Connector, 6-position J10	Consult
	94422	Label, capacity	Consult
1	93247	Overlay, membrane switch	Consult
2	93618	Enclosure, 820i housing	Consult
3	102331	CPU/display board assembly single channel	Consult
	102333	CPU/display board assembly dual channel	Consult
	93246	Display, LCD module, transmissive, indoors (included on CPU)	Consult
	100758	Display, LCD module, transreflective, outdoors (alternative display)	Consult
4	67532	Gasket, back plate	Consult
5	68424	Backplate, universal	Consult
6	75062	Washer, bonded sealing SS	Consult
7	14862	Screw, machine 8 - 32 NC x 3/8	Consult
8	14839	Screw, machine 6 - 32 NC x 1/4	Consult
9	58248	Nut, lock 6 - 32 NC hex nylon	Consult
10	94392	Bracket, 820i 25W power	Consult
11	15628	Cord-grip, 1/2 NPT black	Consult
12	15630	Lock nut, 1/2 NPT black	Consult
13	15626	Cable, grip black PG9	Consult
14	15627	Lock nut, black PCN9	Consult
15	85202	Power cord assembly 120VAC	Consult
16	30375	Seal ring, nylon PG9	Consult
17	14822	Screw, machine 4 - 40 NC x 1/4	Consult
18	67613	Power supply, VAC 25W	Consult
	132791	DC/DC converter 12-24 VDC, 25 W	Consult
19	42640	Screw, machine 1/4 - 28 NF x 1	Consult
20	44676	Washer, bonded sealing	Consult
21	67601	Digital I/O, 24-channel option	Consult
	67602	Analog output: selectable 0-10V, 0-20 mA option	Consult
	103138	Analog output dual channel 0-10V, 0-20mA option	Consult
	67604	Serial, dual channel option	Consult
	87697	Analog input and thermocouple option	Consult
	68541	DeviceNet™ interface option	Consult
	68539	Allen-Bradley® Remote I/O interface option	Consult
	68540	Profibus® DP interface option	Consult
	71986	Ethernet TCP/IP 10/100 Base-T module (internal) option	Consult
	87803	EtherNet/IP (for A-B PLC) option	Consult
23	67531	Stand, tilt 920i	Consult
24	16861	Label, warning high	Consult
25	69291	Battery, 3V coin lithium	Consult
27	14626	Nut, KEP 8 - 32 NC hex	Consult
28	15134	Washer, lock no 8 type A	Consult
29	45043	Wire, ground 4" with no. 8	Consult
30	67796	Cable assembly, power supply	Consult
32	30376	Seal ring, nylon 1/2 NPT	Consult
33	16892	Label, earth ground	Consult

(See Diagram 820i-A)

Indicators/Controllers

INDICATORS
820i® Universal Indicator/Controller
 Main Assembly



Indicators/Controllers

820i-A