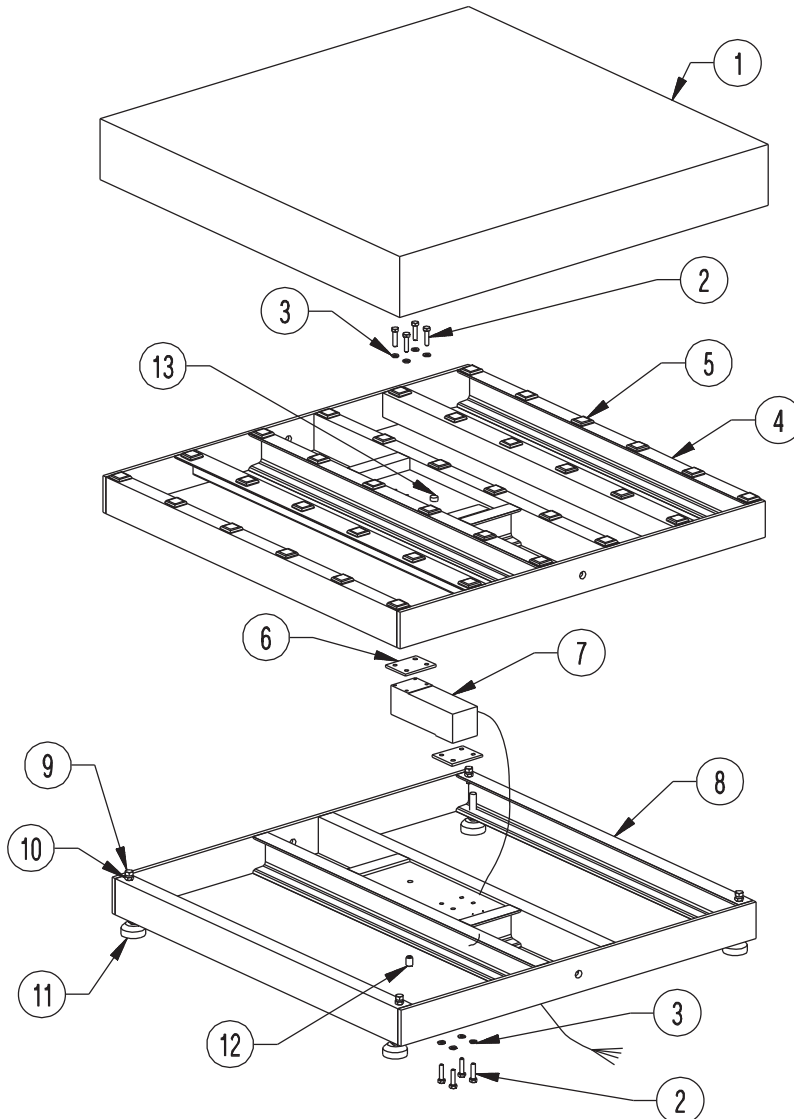




Part Number/Price

Ref#	Part#	Description	Price
1	93775	Top cover, 30 in x 30 in	Consult
1	93768	Top cover, 36 in x 36 in	Consult
2	49788	Screw cap, 5/16-18 NC x 32	Consult
3	15153	Lock washer, 5/16 regular	Consult
4	93758	Top frame, 30 in x 30 in	Consult
4	93760	Top frame, 36 in x 36 in	Consult
5	26407	Self adhesive bumper	Consult
6	87358	Shim, 3/16 x 2 - 3/8-16 NC x 1	Consult
7	41024	Load cell, RL1260-250 lb scale	Consult
7	41026	Load cell, RL1260-500 lb scale	Consult
8	93759	Bottom frame 30 in x 30 in	Consult
8	93761	Bottom frame 36 in x 36 in	Consult
9	14742	Hex head bolt, 3/8-16 NC x 1	Consult
10	14649	Hex jam nut, 3/8-16 NC	Consult
11	74585	Bench scale foot	Consult
12	15051	Set screw, 1/2-20 NF x 3/4	Consult
13	15410	Bubble level	Consult

(See Diagram BenchMark-HD)



BenchMark-HD

Bench Scales