

S-BEAMS

Page 243

363, ALLOY STEEL



S-beam type load cell with a compact and economical design. Ideally suited for scale conversions and general-purpose weighing. NTEP Certified capacities range from 100 lb to 10,000 lb; non-NTEP Certified capacity of 50 lb. Complete with 20 ft of load cell cable.



Page 244

9363, STAINLESS STEEL



A stainless steel s-beam type load cell with a compact and economical design. Ideally suited for scale conversions and general-purpose weighing. NTEP Certified capacities range from 100 lb to 10,000 lb; non-NTEP Certified capacity of 50 lb, 15,000 lb and 20,000 lb. Complete with 20 ft of load cell cable. Trimmed outputs makes installation easy.



Page 245

BSP, STAINLESS STEEL



Welded-seal stainless steel s-beam load cell designed for compression and tension. Ideal for scale conversions and general-purpose weighing. NTEP Certified capacities range from 100 to 5,000 lb; non-NTEP Certified capacity of 10,000 lb. Complete with 30 ft of load cell cable.



SINGLE-ENDED BEAMS

Page 246

5123, ALLOY STEEL



Low-cost, high performance, single-ended beam designed for low-profile scales and process weighing in both Legal for Trade and non-Legal for Trade applications. Capacities range from 1,000 to 10,000 lb. Complete with 20 ft of load cell cable.



Page 247

9123, STAINLESS STEEL



Low-cost, high performance, single-ended, stainless steel beam designed for low-profile scales and process weighing in both Legal for Trade and non-Legal for Trade applications. Capacities range from 250 to 20,000 lb. Complete with 20 ft of load cell cable.



Page 248

9523, STAINLESS STEEL



Single-ended beam offers both welded sealing and stainless steel construction for use in most hostile environments. Applications include platform scales and process weighing. Capacities range from 1,000 to 10,000 lb.



Page 249

ACB, STAINLESS STEEL



The ACB is a stainless steel, hermetically sealed, single-ended shear beam load cell utilizing a 1,000 ohm bridge. Capacities of the ACB range from 500 to 5,000 kg.

Page 250

9102, STAINLESS STEEL



The Model 9102 is a form, fit and function match for the VPG Revere® 5102. It is constructed of stainless steel and ideally suited for the toughest industrial applications where high accuracy and low profile are required. Capacities range from 200 to 2,500 lb. Complete with 10 ft of load cell cable.



SINGLE-ENDED BEAMS

Page 251

5102, ALLOY STEEL



The model 5102 is a single-ended beam load cell. 500 lb capacities and above are constructed as shear beams. Its high accuracy, low profile and redundant sealing make it well-suited for use in small and medium platform scales and process applications in harsh environments. Capacities range from 50 to 2,500 lb. Complete with 10 ft of load cell cable.



Page 252

5723 LINK BEAM, ALLOY STEEL



High-performance single-ended link beam uses a well-proven link-loading technique. This low-cost and flexible loading method allows load movement without reading error in tanks, hoppers and platform scales. Capacities range from 1,000 to 10,000 lb.



Page 253

SHB, STAINLESS STEEL



The SHB model is stainless steel and features a welded seal for tough industrial environments where high accuracy and low profiles are required. Capacities range from 20 to 200 kg. Complete with 10 ft of load cell cable.



Page 254

SSB, STAINLESS STEEL



Rugged and precise, this single-ended beam offers welded seal protection and stainless steel construction. Designed for use in the most hostile environments. Applications include platform scales, materials testing and process weighing. NTEP Certified capacities range from 1,000 to 10,000 lb.



DOUBLE-ENDED BEAMS

Page 255

5103, ALLOY STEEL



Designed for truck, track and process weighing. High accuracy, low profile, tolerance to non-axial loading and redundant seal. NTEP Certified capacities range from 5,000 to 250,000 lb. Complete with 30 ft of load cell cable.



Page 256

9103, STAINLESS STEEL



Stainless steel double-ended beam designed for truck, track and process weighing. High accuracy, low profile and tolerance to non-axial loading and redundant seal. Capacities range from 5,000 to 150,000 lb. NTEP Certified capacities range from 10,000 to 100,000 lb. Non-NTEP Certified in 5,000 and 150,000 lb capacities. Complete with 30 ft of load cell cable.



Page 257

5223, ALLOY STEEL



Very high performance end-loaded, center-supported double-ended beam designed for low-profile track and truck scales in harsh environments. Parallel link loading provides free movement in all horizontal directions with virtually no friction. Capacities range from 50,000 to 100,000 lb. Complete with 40 ft of load cell cable. Optional overbraid available.



Page 258

9223, STAINLESS STEEL



High-profile, high accuracy compression type load cell for truck, tank, track and hopper applications. Ideally suited for harsh environments. Each cell comes with 40 ft of load cell cable. Available in 50,000 lb and 100,000 lb capacities.



DOUBLE-ENDED BEAMS

Page 259 **9803, STAINLESS STEEL**



This center loaded double-ended beam features full stainless steel construction, and is ideal for both truck scale and process weighing applications. Available in 50,000 to 100,000 lb capacities. Each unit is provided with 30 ft of load cell cable.



Page 260 **9323, STAINLESS STEEL**



Very high performance end-loaded, center-supported double-ended beam designed for low-profile track and truck scales in harsh environments. Parallel link loading provides free movement in all horizontal directions with virtually no friction. Available in 50,000 lb and 60,000 lb with 30 ft of load cell cable.



Page 261 **9423, STAINLESS STEEL**



Very high performance end-loaded, center-supported double-ended beam designed for low-profile track and truck scales in harsh environments. Parallel link loading provides free movement in all horizontal directions with virtually no friction. Available in 50,000 lb and 60,000 lb. Complete with 30 ft of load cell cable.

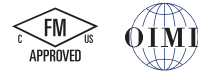


COMPRESSION CANISTERS

Page 262 **ASC, STAINLESS STEEL**



The ASC is a stainless steel, hermetically sealed, single-column compression load cell. An IP68 rating, combined with built-in surge protection, ensures the ASC is well-protected. The ASC is OIML approved and comes with 15 m of load cell cable.



Page 263 **RLC, STAINLESS STEEL**



The RLC is a low profile, high performance ring torsion type load cell constructed of stainless steel. This product is suitable for small and medium platform scales, as well as process weighing. Capacities range from 0.25 to 10 T.



Page 264 **CP, STAINLESS STEEL**



This welded-seal, canister cell is designed for compression service only. High-capacity transducers are built for reliability, durability and extreme precision. Compression Precision (CP) cells are recommended for most industrial applications. Single or dual bridges available for 10,000 to 500,000 lb capacities. Complete with 30 ft of load cell cable.



Page 265 **CSP, STAINLESS STEEL**



This welded-seal, stainless steel canister cell is designed for compression service only. High-capacity transducers are built for reliability, durability and extreme precision. Compression Super Precision (CSP) cells are ideal for applications where ultimate precision is needed. Single or dual bridges available for 10,000 lb only. NTEP Certified capacities range from 25,000 to 200,000 lb; non-NTEP Certified capacities are 10,000 lb and 500,000 lb. Complete with 30 ft of load cell cable.



Page 266 **792, STAINLESS STEEL**



Single-column design with low deflection and welded-seal for trouble-free operation. High-alloy steel, epoxy coated for trouble-free use in harsh environments. Capacities range from 50,000 to 200,000 lb. Compact and rugged.



SINGLE POINTS

Page 267

462, ALLOY STEEL



Very high performance single-point cell designed for high-precision counter scales. Negligible error from off-center loading. Resistant to severe impact loading. Good water resistance. Capacities range from 2 to 250 lb. Complete with 10 ft of load cell cable.



Page 268

HPS, STAINLESS STEEL



The HPS stainless steel, welded-seal, low-profile single-point load cell is designed for bench scale and checkweigher applications in caustic/acidic environments. The HPS is insensitive to off-center loading and tolerates most severe washdowns. Capacities range from 6 to 100 kg. This load cell comes complete with 10 ft of load cell cable.



Page 269

HPSM, STAINLESS STEEL



Metric envelope. Low-profile single-point load cell designed for bench scale and checkweigher applications in caustic/acidic environments. Insensitive to off-center loading. Tolerates most severe washdowns. Capacities range from 6 to 30 kg. Includes 20 ft of load cell cable.



AXLE SCALE LOAD CELL

Page 270

AX3040, ALLOY STEEL



Constructed of alloy steel, the AX3040 is used in the AX3040 axle scale and is environmentally sealed.



Picture is a representation of actual product

Approvals

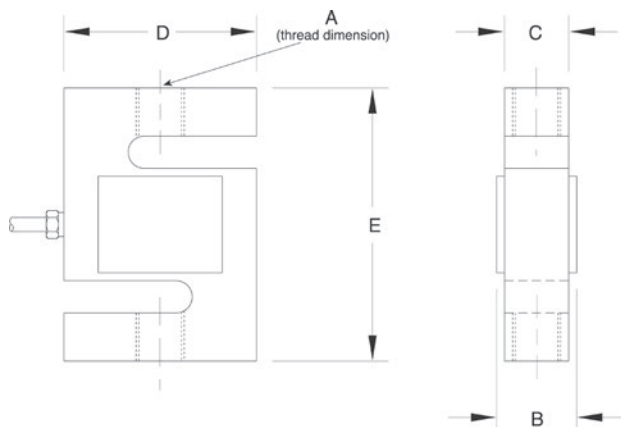


Order Information

Load Rating	Part #	Est. Weight	Price
NTEP Certified			
100 lb	21463	2 lb	\$312.00
200 lb	21464	2 lb	\$312.00
300 lb	21465	2 lb	\$312.00
500 lb	21466	2 lb	\$312.00
750 lb	21467	2 lb	\$312.00
1,000 lb	21468	2 lb	\$312.00
1,500 lb	21469	2 lb	\$312.00
2,000 lb	21470	2 lb	\$312.00
3,000 lb	21471	4 lb	\$312.00
5,000 lb	21472	4 lb	\$493.00
10,000 lb	21473	4 lb	\$493.00
Non-NTEP Certified			
50 lb	17043	2 lb	\$312.00

Dimensions

Rated Capacity	A	B	C	D	E
50 to 300	1/4-28 UNF	0.65	0.50	2.00	2.50
500 to 1,500	1/2-20 UNF	0.90	0.75	2.00	2.50
2,000	1/2-20 UNF	1.15	1.00	2.00	2.50
3,000	1/2-20 UNF	1.15	1.00	3.00	4.00
5,000 to 10,000	3/4-16 UNF	1.15	1.00	3.00	4.00



Interchangeable Products

RICE LAKE WEIGHING SYSTEMS
RL20000I..... page 92

Weigh Module Available

RICE LAKE WEIGHING SYSTEMS
ITCM Isolated Tension Cell Mount..... page 28

Specifications

Full Scale Output:

3.0 mV/V

Output Resistance:

350 (± 3.5) ohm

Input Resistance:

390 (± 15) ohm

Material/Finish:

High alloy, nickel plated

Temperature:

Compensated range
14 °F to 104 °F (-10 °C to 40 °C)
Operating range
0 °F to 150 °F (-18 °C to 65 °C)

Seal Type:

Environmentally sealed, IP67

Safe Overload:

150% full scale

Rated Excitation:

5 to 10 VDC (15 V maximum)

Combined Error:

0.02% full scale

Non-repeatability:

0.01% full scale

Insulation Resistance:

5,000 megohm

Cable Length:

20 ft

Cable Color Code:

Red +Excitation
Black -Excitation
Green +Signal
White -Signal

Warranty:

One-year limited

Approvals:

cFMus
NTEP





Picture is a representation of actual product

Approvals

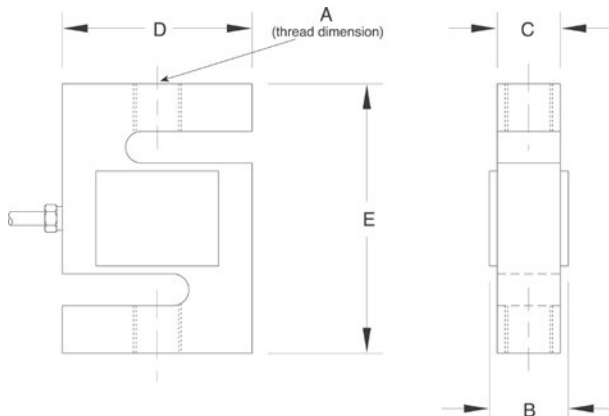


Order Information

Load Rating	Part #	Est. Weight	Price
NTEP Certified			
100 lb	31317	2 lb	\$312.00
200 lb	31316	2 lb	\$312.00
300 lb	31315	2 lb	\$312.00
500 lb	31314	2 lb	\$312.00
750 lb	31313	2 lb	\$312.00
1,000 lb	31312	2 lb	\$312.00
1,500 lb	31311	2 lb	\$312.00
2,000 lb	31310	2 lb	\$312.00
2,500 lb	98875	3 lb	\$312.00
3,000 lb	31309	4 lb	\$418.00
5,000 lb	31318	4 lb	\$503.00
10,000 lb	31308	4 lb	\$583.00
Non-NTEP Certified			
50 lb	17076	2 lb	\$312.00
15,000 lb	165260	7 lb	\$715.00
20,000 lb	165261	13 lb	\$948.00

Dimensions

Rated Capacity	A	B	C	D	E
lb/in					
50 to 300	1/4-28 UNF	0.65	0.46	2.00	2.40
500 to 1,500	1/2-20 UNF	0.90	0.71	2.00	2.40
2,000 to 2,500	1/2-20 UNF	1.13	0.96	2.00	2.40
3,000	1/2-20 UNF	1.13	0.96	3.00	3.90
5,000	3/4-16 UNF	1.15	0.96	3.00	3.90
10,000	3/4-16 UNF	1.40	1.21	2.94	3.90
15,000	1-14 UNS	1.63	1.46	3.44	5.50
20,000	1 1/4-12 UNF	1.88	1.68	4.44	7.00



Interchangeable Products

- RICE LAKE WEIGHING SYSTEMS
RL20000SS page 93
- RICE LAKE WEIGHING SYSTEMS
RL20000ST page 94

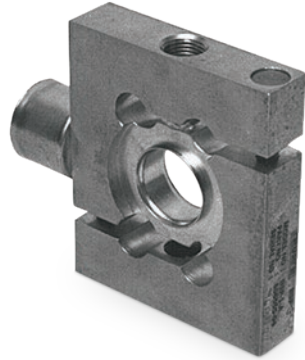
Weigh Module Available

- RICE LAKE WEIGHING SYSTEMS
ITCM Isolated Tension Cell Mount page 28

Specifications

- Full Scale Output:**
3.0 mV/V
- Output Resistance:**
350 (± 3.5) ohm
- Input Resistance:**
390 (± 15) ohm
- Material/Finish:**
Stainless steel
- Temperature:**
Compensated range
14 °F to 104 °F (-10 °C to 40 °C)
Operating range
0 °F to 150 °F (-18 °C to 65 °C)
- Seal Type:**
Environmentally sealed, IP67
- Safe Overload:**
150% full scale
- Rated Excitation:**
5 to 10 VDC (15 V maximum)
- Combined Error:**
0.025% full scale
- Non-repeatability:**
0.01% full scale
- Insulation Resistance:**
5,000 megohm
- Cable Length:**
20 ft
- Cable Color Code:**
Red +Excitation
Black -Excitation
Green +Signal
White -Signal
- Warranty:**
One-year limited
- Approvals:**
cFMus
NTEP

VPG REVERE



Picture is a representation of actual product

Approvals

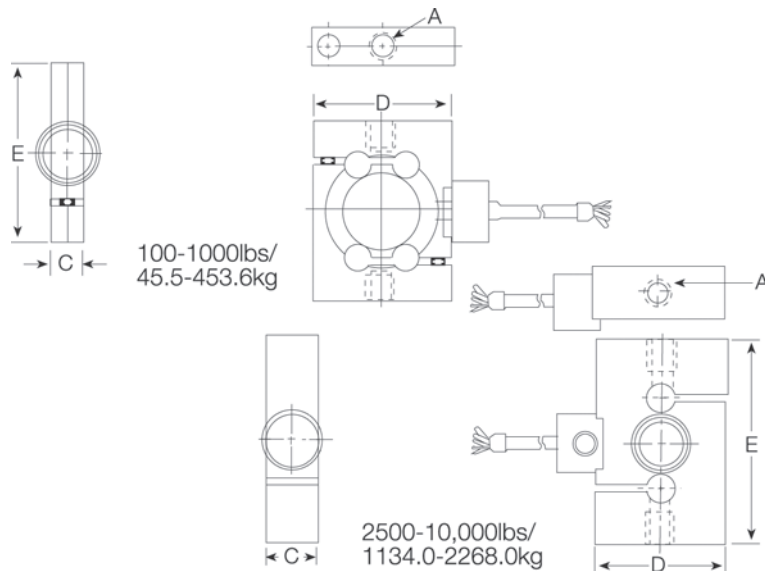


Order Information

Load Rating	Part #	Est. Weight	Price
NTEP Certified			
100 lb	21447	3 lb	\$948.00
250 lb	21448	3 lb	\$948.00
500 lb	21449	3 lb	\$948.00
1,000 lb	21450	3 lb	\$948.00
2,500 lb	21451	4 lb	\$980.00
5,000 lb	21452	6 lb	\$1,007.00
Non-NTEP Certified			
10,000 lb	17032	6 lb	\$1,007.00

Dimensions

Rated Capacity	A	C	D	E
100 to 250 lb/in	3/8-24 UNF	0.94	2.48	3.32
500	1/2-20 UNF	0.71	2.44	3.50
1,000	1/2-20 UNF	0.71	2.44	3.50
2,500	1/2-20 UNF	0.95	2.44	3.75
5,000 to 10,000	1-14 UNS	1.44	2.44	4.75



Weigh Module Available

RICE LAKE WEIGHING SYSTEMS
ITCM Isolated Tension Cell Mount..... page 28

Specifications

- Full Scale Output:**
3.0 mV/V
- Output Resistance:**
350 (± 3.5) ohm
- Input Resistance:**
350 (± 3.5) ohm
- Material/Finish:**
Stainless steel
- Temperature:**
Compensated range
14 °F to 104 °F (-10 °C to 40 °C)
Operating range
0 °F to 150 °F (-18 °C to 65 °C)
- Seal Type:**
Welded-seal, IP67
- Safe Overload:**
150% full scale
- Rated Excitation:**
5 to 10 VDC (15 V maximum)
- Combined Error:**
0.03% full scale
- Non Repeatability:**
0.01% full scale
- Insulation Resistance:**
5,000 megohm
- Cable Length:**
30 ft
- Cable Color Code:**
Green +Excitation
Black -Excitation
White +Signal
Red -Signal
- Warranty:**
One-year limited
- Approvals:**
cFMus
NTEP

VPG REVERE

5123

Alloy Steel, Environmentally Sealed, NTEP Certified 1:5,000 Class III Multiple Cell, IP67



Picture is a representation of actual product

Approvals

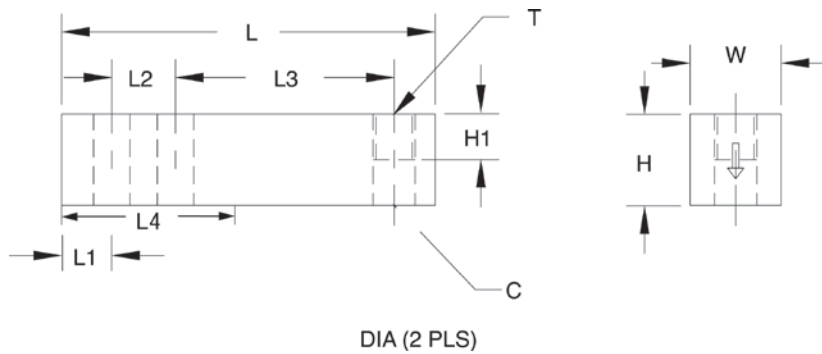


Order Information

Load Rating	Part #	Est. Weight	Price
1,000 lb	21516	3 lb	\$312.00
2,500 lb	21517	3 lb	\$312.00
4,000 lb	21518	3 lb	\$312.00
5,000 lb	21519	8 lb	\$398.00
10,000 lb	21520	8 lb	\$398.00

Dimensions

Rated Capacity	C	H	H1	L	L1	L2	L3	L4	T	W
1,000 to 4,000	0.53	1.25	0.62	5.12	0.62	1.00	3.00	2.25	1/2-20 UNF	1.25
5,000 to 10,000	0.78	1.50	0.75	6.75	0.75	1.50	3.75	3.12	3/4-16 UNF	1.50



Interchangeable Products

- RICE LAKE WEIGHING SYSTEMS
RL30000I..... page 108
- VPG® TEDEA-HUNTLEIGH
3411..... page 306
- ARTECH®
30310

Weigh Module Available

- RICE LAKE WEIGHING SYSTEMS
RL50210TA..... page 31
- RICE LAKE WEIGHING SYSTEMS
RL1800 Series..... page 42

Specifications

- Full Scale Output:**
3.0 mV/V
- Output Resistance:**
352 (± 3) ohm
- Input Resistance:**
350 (± 7) ohm
- Material/Finish:**
Alloy steel, nickel plated
- Temperature:**
Compensated range
14 °F to 104 °F (-10 °C to 40 °C)
Operating range
0 °F to 150 °F (-18 °C to 65 °C)
- Seal Type:**
Environmentally sealed, IP67
- Safe Overload:**
150% full scale
- Safe Sideload:**
100% full scale
- Rated Excitation:**
5 to 10 VDC (15 V maximum)
- Combined Error:**
0.025% full scale
- Non-repeatability:**
0.01% full scale
- Insulation Resistance:**
1,000 megohm
- Deflection at Capacity:**
1,000 lb: 0.016 in
2,500 lb: 0.03 in
4,000 lb: 0.04 in
5,000 lb: 0.035 in
10,000 lb: 0.042 in
- Cable Length:**
20 ft
- Cable Color Code:**
Red +Excitation
Black -Excitation
Green +Signal
White -Signal
- Warranty:**
One-year limited
- Approvals:**
cFMus
NTEP

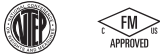
VPG REVERSE



Picture is a representation of actual product

Pictured with integral foot for 250lb-2,000lb

Approvals



Order Information

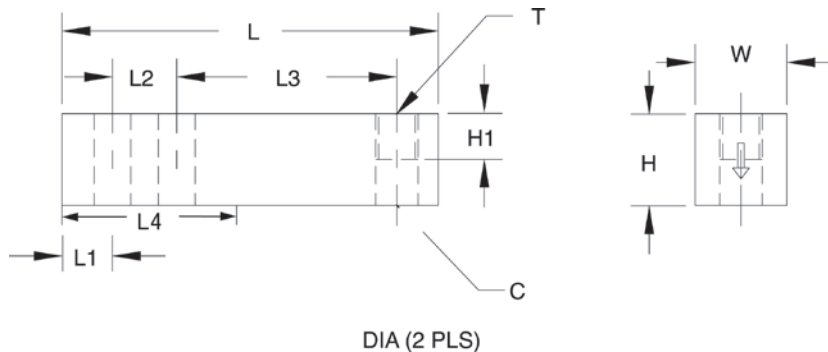
Load Rating	Part #	Est. Weight	Price
NTEP Certified			
250 lb*	69380	3 lb	\$312.00
500 lb*	69381	3 lb	\$312.00
1,000 lb*	69382	3 lb	\$312.00
2,000 lb*	99314	3 lb	\$295.00
2,500 lb	69383	3 lb	\$312.00
4,000 lb	69384	3 lb	\$312.00
5,000 lb SE	69385	3 lb	\$312.00
5,000 lb	69386	8 lb	\$398.00
10,000 lb	69387	8 lb	\$398.00
15,000 lb	69388	8 lb	\$683.00
20,000 lb	69389	9 lb	\$683.00
Conduit Adapters (must be factory installed to maintain warranty)			
1/4-18 NPT	31534	1 lb	\$37.00

SE=Small envelope

* Load cell has an integral foot

Dimensions

Rated Capacity	C	H	H1	L	L1	L2	L3	L4	T	W
lb/in										
250 to 5,000 SE	0.53	1.23	0.67	5.12	0.62	1.00	3.00	2.25	1/2-20 UNF	1.23
5,000 to 15,000	0.78	1.45	0.70	6.75	0.75	1.50	3.75	3.12	3/4-16 UNF	1.50
20,000	1.06	1.95	0.98	8.75	1.00	2.00	4.75	4.00	1-12 UNF	1.95



Interchangeable Products

RICE LAKE WEIGHING SYSTEMS
RL39123**page 111

Weigh Module Available

RICE LAKE WEIGHING SYSTEMS
RL50210TA..... page 31

RICE LAKE WEIGHING SYSTEMS
RL1800 Series..... page 42

** Non-NTEP Certified

Specifications

Full Scale Output:
3.0 mV/V

Output Resistance:
350 (± 3.5) ohm

Input Resistance:
350 (± 3.5) ohm

Material/Finish:
Stainless steel

Temperature:
Compensated range
0 °F to 150 °F (-18 °C to 65 °C)
Operating range
0 °F to 150 °F (-18 °C to 65 °C)

Seal Type:
Environmentally sealed, IP67

Safe Overload:
150% full scale

Safe Sideload:
100% full scale

Rated Excitation:
5 to 10 VDC (15 V maximum)

Combined Error:
0.02% full scale

Non-repeatability:
0.01% full scale

Insulation Resistance:
5,000 megohm

Cable Length:
20 ft

Cable Color Code:
Red +Excitation
Black -Excitation
Green +Signal
White -Signal

Warranty:
One-year limited

Approvals:
cFMus
NTEP

9523

Stainless Steel, Welded Seal, IP67



Picture is a representation of actual product

Approvals

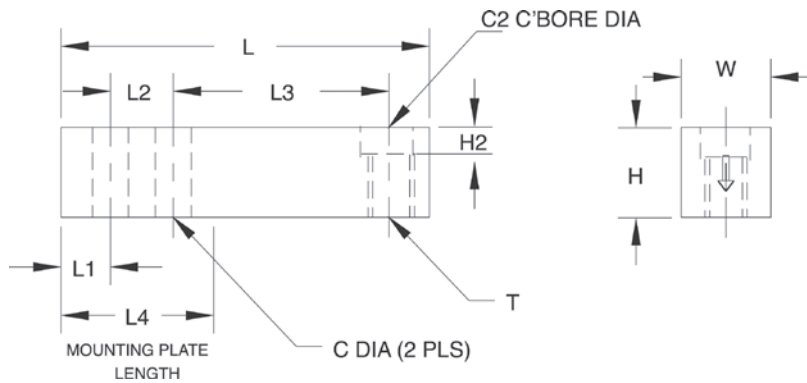


Order Information

Load Rating	Part #	Est. Weight	Price
1,000 lb	17221	3 lb	\$577.00
2,500 lb	17222	3 lb	\$577.00
4,000 lb	17223	3 lb	\$577.00
5,000 lb	17224	5 lb	\$636.00
10,000 lb	17225	5 lb	\$662.00

Dimensions

Rated Capacity	C	C2	H	H2	L	L1	L2	L3	L4	T	W
1,000 to 4,000	0.53	0.81	1.25	0.56	6.12	1.62	1.00	3.00	3.38	1/2-20 UNF	1.25
5,000 to 10,000	0.78	1.19	1.50	0.59	7.71	1.71	1.50	3.75	4.08	3/4-16 UNF	1.50



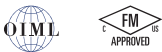
Specifications

- Full Scale Output:**
3.0 mV/V
- Output Resistance:**
350 (± 3.5) ohm
- Input Resistance:**
350 (± 3.5) ohm
- Material/Finish:**
Stainless steel
- Temperature:**
Operating range
0 °F to 150 °F (-18 °C to 65 °C)
- Seal Type:**
Welded-seal, IP67
- Safe Overload:**
150% full scale
- Safe Sideload:**
100% full scale
- Rated Excitation:**
5 to 10 VDC (15 V maximum)
- Non-repeatability:**
0.01% full scale
- Combined Error:**
0.03% full scale
- Insulation Resistance:**
5,000 megohm
- Deflection at Capacity:**
1,000 lb: 0.016 in
2,500 lb: 0.03 in
4,000 lb: 0.041 in
5,000 lb: 0.035 in
10,000 lb: 0.042 in
- Cable Length:**
20 ft
- Cable Color Code:**
Red +Excitation
Black -Excitation
Green +Signal
White -Signal
- Warranty:**
One-year limited
- Approvals:**
cFMus



Picture is a representation of actual product

Approvals

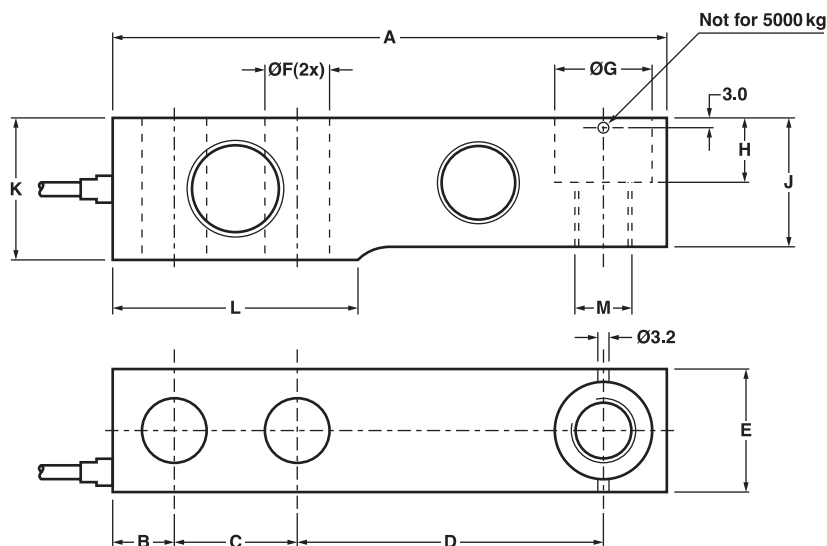


Order Information

Load Rating	Part #	Est. Weight	Price
500 kg	166750	2 lb	\$344.00
1,000 kg	166751	2 lb	\$344.00
2,000 kg	166752	3 lb	\$344.00
5,000 kg	166753	4 lb	\$477.00

Dimensions

Rated Capacity	A	B	C	D	E	F	G	H	J	K	L	M
kg/mm												
500	130.0	15.5	25.4	76.2	31.8	13.0	20.5	14.2	26	31.8	57.1	M12
1,000	130.0	15.5	25.4	76.2	31.8	13.0	20.5	14.2	28	31.8	57.1	M12
2,000	130.0	15.5	25.4	76.2	31.8	13.0	20.5	14.2	32	35.8	57.1	M12
5,000	172.0	19.1	38.1	95.3	38.0	20.5	30.2	20.0	40	44.0	76.2	M20



Specifications

Full Scale Output:

2mV/V

Output Resistance:

1,000 (± 10) ohm

Input Resistance:

1,000 (± 50) ohm

Material/Finish:

Stainless steel

Temperature:

Compensated range

14 °F to 104 °F (-10 °C to 40 °C)

Operating range

0 °F to 150 °F (-18 °C to 65 °C)

Seal Type:

Hermetically sealed, IP68

Safe Overload:

150% full scale

Rated Excitation:

5 to 12 VDC

Combined Error:

0.02%

Insulation Resistance:

5,000 megohm

Cable Length:

500 to 1,000 kg: 3 m

2,000 to 5,000 kg: 6 m

Cable Color Code:

Green +Excitation

Black -Excitation

White +Signal

Red -Signal

Yellow +Sense

Blue -Sense

Warranty:

One-year limited

Approvals:

cFMus

OIML

9102

Stainless Steel, Welded Seal, NTEP Certified 1:5,000 Class III Multiple Cell, IP66/68



Picture is a representation of actual product

Approvals

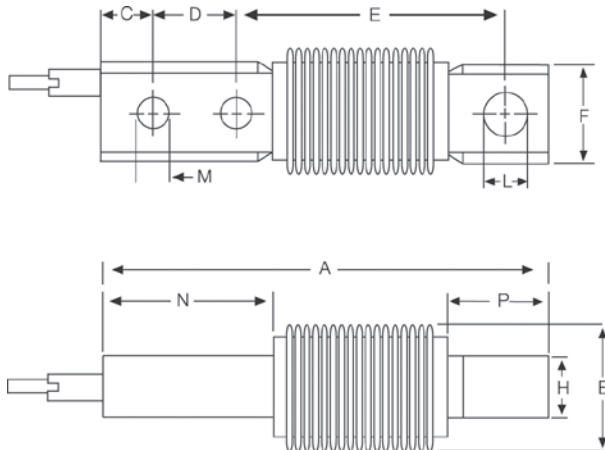


Order Information

Load Rating	Part #	Est. Weight	Price
200 lb	40917	2 lb	\$842.00
500 lb	40918	2 lb	\$842.00
1,000 lb	40919	2 lb	\$842.00
2,500 lb	40920	2 lb	\$842.00

Dimensions

Rated Capacity	A	B	C	D	E	F	H	L	M	N	P
lb/in											
200	5.00	1.53	0.38	0.62	3.50	1.22	0.75	0.39	0.27	1.50	1.25
500 to 1,000	5.38	1.53	0.62	1.00	3.25	1.22	0.75	0.40	0.40	2.07	1.20
2,500	5.38	1.53	0.62	1.00	3.25	1.22	0.75	0.53	0.40	2.07	1.20



Interchangeable Products

VPG® REVERE

5102 page 251

Specifications

Full Scale Output:

2.0 mV/V

Output Resistance:

350 (± 3.5) ohm

Input Resistance:

350 (± 3.5) ohm

Material/Finish:

Stainless steel

Temperature:

Compensated range

14 °F to 104 °F (-10 °C to 40 °C)

Operating range

0 °F to 150 °F (-18 °C to 65 °C)

Seal Type:

Welded-seal, IP66/68

Safe Overload:

150% full scale

Rated Excitation:

5 to 10 VDC (15 V maximum)

Combined Error:

0.03% full scale

Non-repeatability:

0.01% full scale

Insulation Resistance:

5,000 megohm

Deflection at Capacity:

200 lb: 0.020 in

500 to 2,500 lb: 0.026 in

Cable Length:

10 ft

Cable Color Code:

Red +Excitation

Black -Excitation

Green +Signal

White -Signal

Warranty:

One-year limited

Approvals:

cFMus

NTEP



Picture is a representation of actual product

Approvals

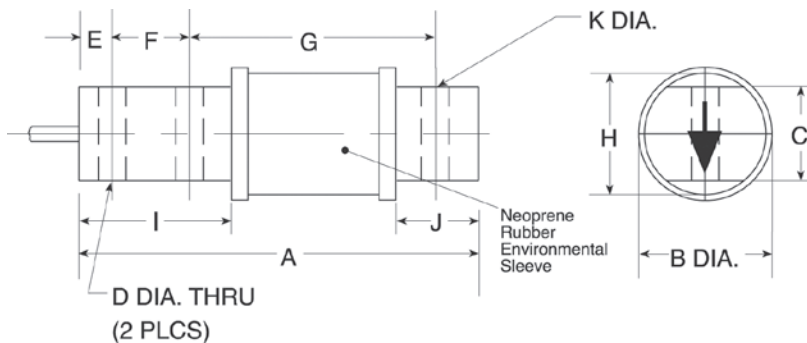


Order Information

Load Rating	Part #	Est. Weight	Price
50 lb	21709	2 lb	\$514.00
100 lb	21710	2 lb	\$514.00
200 lb	21711	2 lb	\$514.00
500 lb	21712	2 lb	\$514.00
1,000 lb	21713	2 lb	\$535.00
2,500 lb	21714	2 lb	\$535.00

Dimensions

Rated Capacity	A	B	C	D	E	F	G	H	I	J	K
lb/in											
50 to 200	5.00	1.25	0.75	0.27	0.38	0.62	3.50	1.23	1.50	1.25	0.39
500 to 1,000	5.38	1.25	0.75	0.41	0.62	1.00	3.25	1.23	2.07	1.20	0.41
2,500	5.38	1.25	0.75	0.41	0.62	1.00	3.25	1.23	2.07	1.20	0.53



Interchangeable Products

VPG® REVERE

9102 page 250

Specifications

Full Scale Output:

2.0 mV/V

Output Resistance:

350 (± 3.5) ohm

Input Resistance:

350 (± 3.5) ohm

Material/Finish:

High-alloy steel, nickel plated

Temperature:

Operating range

0 °F to 150 °F (-18 °C to 65 °C)

Seal Type:

Environmentally sealed with neoprene sleeve, IP67

Safe Overload:

150% full scale

Rated Excitation:

5 to 10 VDC (15 V maximum)

Combined Error:

0.03% full scale

Non-repeatability:

0.01% full scale

Insulation Resistance:

5,000 megohms

Deflection at Capacity:

50 to 200 lb: 0.020 in

500 to 2,500 lb: 0.026 in

Cable Length:

10 ft

Cable Color Code:

Red +Excitation

Black -Excitation

Green +Signal

White -Signal

Warranty:

One-year limited

Approvals:

cFMus

5723

Alloy Steel, Environmentally Sealed, NTEP Certified 1:5,000 Class III Multiple Cell, IP67



Picture is a representation of actual product

Approvals

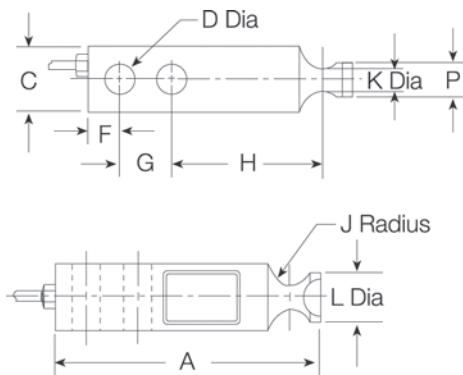


Order Information

Load Rating	Part #	Est. Weight	Price
1,000 lb	31396	3 lb	\$334.00
1,500 lb	79713	3 lb	\$334.00
2,500 lb	31397	3 lb	\$365.00
4,000 lb	31398	3 lb	\$365.00
5,000 lb	31399	4 lb	\$503.00
7,500 lb	85306	4 lb	\$503.00
10,000 lb	31400	4 lb	\$503.00

Dimensions

Rated Capacity	A	C	D	F	G	H	J	K	L	P
1,000 to 4,000	5.12	1.25	0.53	0.62	1.00	3.00	0.44	0.60	0.92	0.62
5,000 to 10,000	6.75	1.50	0.78	0.75	1.50	3.75	0.56	0.86	1.20	0.90



Interchangeable Products

ARTECH®
30410

Specifications

- Full Scale Output:**
3.0 mV/V
- Output Resistance:**
350 (± 3.5) ohm
- Input Resistance:**
350 (± 3.5) ohm
- Material/Finish:**
High-alloy steel
- Temperature:**
Compensated range
14 °F to 104 °F (-10 °C to 40 °C)
Operating range
0 °F to 150 °F (-18 °C to 65 °C)
- Seal Type:**
Environmentally sealed, IP67
- Safe Overload:**
150% full scale
- Safe Sideload:**
100% full scale
- Rated Excitation:**
5 to 10 VAC/DC (15 V maximum)
- Non-repeatability:**
0.01% full scale
- Combined Error:**
0.02% full scale
- Insulation Resistance:**
5,000 megohm
- Deflection at Capacity:**
1,000 lb: 0.016 in
2,500 lb: 0.03 in
4,000 lb: 0.04 in
5,000 lb: 0.035 in
10,000 lb: 0.042 in
- Cable Length:**
20 ft
- Cable Color Code:**
Red +Excitation
Black -Excitation
Green +Signal
White -Signal
- Warranty:**
One-year limited
- Approvals:**
cFMus
NTEP



Picture is a representation of actual product

Approvals

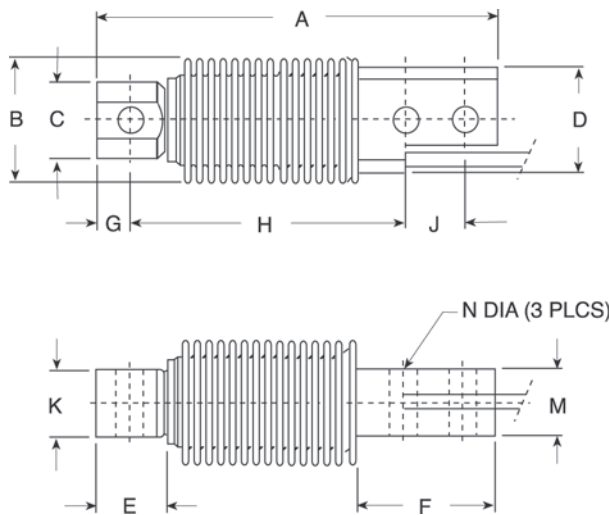


Order Information

Load Rating	Part #	Est. Weight	Price
20 kg	28801	2 lb	\$455.00
50 kg	28802	2 lb	\$455.00
100 kg	28803	2 lb	\$455.00
200 kg	28804	2 lb	\$455.00

Dimensions

Rated Capacity	A	B	C	D	E	F	G	H	J	K	M	N
kg/mm												
20 to 200	120.0	38.0	22.9	31.7	21.2	42.0	10.0	82.0	18.0	20.0	20.0	8.20



Interchangeable Products

- RICE LAKE WEIGHING SYSTEMS
- RLHBB**
- HBK®
- Z6** page 226
- VPG® TEDEA-HUNTLEIGH
- 355** page 309

Specifications

- Full Scale Output:**
2.0 mV/V
- Output Resistance:**
350 (± 3.5) ohm
- Input Resistance:**
460 (± 3.5) ohm
- Material/Finish:**
Stainless steel
- Temperature:**
Compensated range
14 °F to 104 °F (-10 °C to 40 °C)
Operating range
0 °F to 150 °F (-18 °C to 65 °C)
- Seal Type:**
Welded-seal, IP67
- Safe Overload:**
150% full scale
- Rated Excitation:**
5 to 10 VDC (15 V maximum)
- Combined Error:**
0.02% full scale (SHB-A3)
- Non-repeatability:**
0.01% full scale
- Insulation Resistance:**
5,000 megohm
- Deflection at Capacity:**
0.4 mm
- Cable Length:**
10 ft
- Cable Color Code:**
Green +Excitation
Black -Excitation
White +Signal
Red -Signal
- Warranty:**
One-year limited
- Approvals:**
cFMus
NTEP

SSB

Stainless Steel, Welded Seal, NTEP Certified 1:10,000 Class III Single Cell, IP67



Picture is a representation of actual product

Approvals

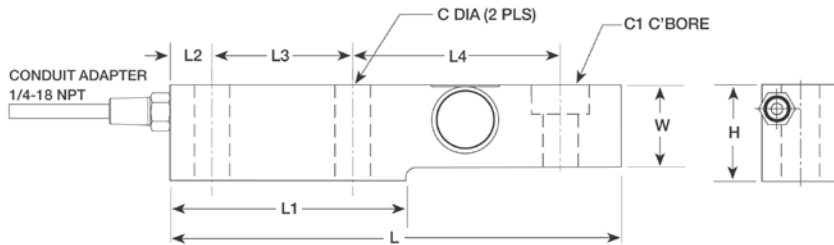


Order Information

Load Rating	Part #	Est. Weight	Price
1,000 lb	21538	5 lb	\$726.00
2,000 lb	21539	5 lb	\$726.00
5,000 lb	21540	5 lb	\$726.00
10,000 lb	21541	10 lb	\$805.00

Dimensions

Rated Capacity	C	W	C1	H	L	L1	L2	L3	L4	CONDUIT ADAPTER
lb/in										
1,000 to 5,000	0.53	1.44	1.19 x 0.56 DP	1.88	8.00	4.00	0.75	2.50	3.87	1/4-18NPT
10,000	0.88	1.88	1.63 x 0.62 DP	2.75	9.25	4.62	0.81	2.62	4.87	1/4-18NPT



Interchangeable Products

RICE LAKE WEIGHING SYSTEMS
RLSSB.....page 116
 HBK®
SB3

Weigh Module Available

RICE LAKE WEIGHING SYSTEMS
RL1900 Series..... page 45

Specifications

- Full Scale Output:**
2.0 mV/V
- Output Resistance:**
350 (± 3.5) ohm
- Input Resistance:**
350 (± 3.5) ohm
- Material/Finish:**
Stainless steel
- Temperature:**
Compensated range
14 °F to 104 °F (-10 °C to 40 °C)
Operating range
0 °F to 150 °F (-18 °C to 65 °C)
- Seal Type:**
Welded-seal, IP67
- Safe Overload:**
150% full scale
- Safe Sideload:**
100% full scale
- Rated Excitation:**
5 to 10 VDC (15 V maximum)
- Combined Error:**
0.02% full scale
- Non-repeatability:**
0.01% full scale
- Insulation Resistance:**
5,000 megohm
- Deflection at Capacity:**
0.018 in
- Cable Length:**
15 ft
- Cable Color Code:**
Green +Excitation
Black -Excitation
White +Signal
Red -Signal
- Warranty:**
One-year limited
- Approvals:**
cFMus
NTEP



Picture is a representation of actual product

Approvals

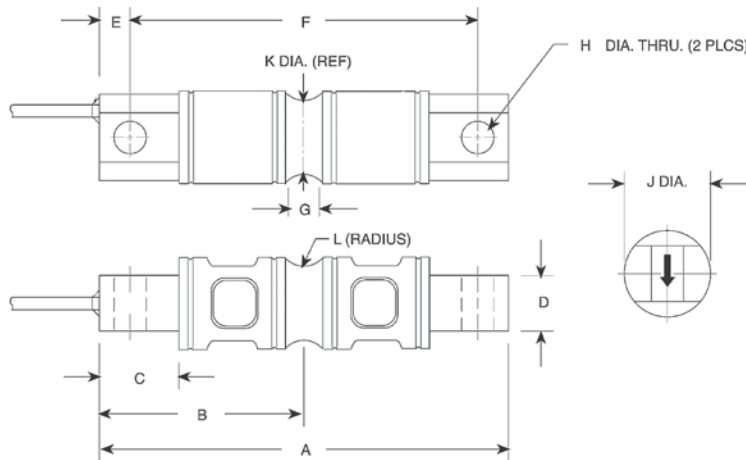


Order Information

Load Rating	Part #	Est. Weight	Price
5,000 lb	34494	5 lb	\$694.00
10,000 lb	34495	5 lb	\$694.00
20,000 lb	34496	6 lb	\$694.00
30,000 lb	34497	19 lb	\$800.00
40,000 lb	34498	19 lb	\$800.00
50,000 lb	34499	19 lb	\$895.00
60,000 lb	34500	19 lb	\$895.00
75,000 lb	159506	19 lb	\$895.00
100,000 lb	34501	30 lb	\$1,563.00
150,000 lb	17292	35 lb	\$1,563.00
200,000 lb	17293	46 lb	\$2,940.00
250,000 lb	17294	92 lb	\$2,940.00

Dimensions

Rated Capacity	A	B	C	D	E	F	G	H	J	K	L
5,000 to 10,000	8.12	4.06	1.44	1.12	0.62	6.87	0.62	0.65	1.70	1.48	0.50
20,000	8.12	4.06	1.44	1.12	0.62	6.87	0.84	0.65	1.95	1.48	0.50
30,000 to 75,000	10.25	5.12	1.88	2.37	0.88	8.50	1.00	1.06	3.00	2.73	1.00
100,000	11.25	5.62	1.88	2.50	0.88	9.50	1.00	1.06	3.50	3.24	1.50
150,000	11.25	5.62	1.88	2.80	0.88	9.50	1.25	1.06	3.90	3.64	1.50
200,000 to 250,000	16.10	8.05	3.05	4.60	1.55	13.00	1.30	1.55	5.375	5.17	2.00



Interchangeable Products

- RICE LAKE WEIGHING SYSTEMS
- RL70000.....page 128
- RL72020.....page 124

Weigh Module Available

- RICE LAKE WEIGHING SYSTEMS
- EZ Mount 1.....page 62

Specifications

- Full Scale Output:** 3.0 mV/V
- Output Resistance:** 700 (± 7) ohm
- Input Resistance:** 700 (± 7) ohm
- Material/Finish:** High-alloy steel, nickel plated
- Temperature:** Compensated range 14 °F to 104 °F (-10 °C to 40 °C)
Operating range 0 °F to 150 °F (-18 °C to 65 °C)
- Seal Type:** Environmentally sealed, IP67
- Safe Overload:** 150% full scale
- Safe Sideload:** 100% full scale
- Rated Excitation:** 5 to 10 VDC (15 V maximum)
- Non-repeatability:** 0.01% full scale
- Combined Error:** 0.025% full scale
- Insulation Resistance:** 5,000 megohm
- Deflection at Capacity:** 5,000 lb: 0.02 in
10,000 lb: 0.025 in
20,000 lb: 0.042 in
30,000 to 50,000 lb: 0.02 in
60,000 lb: 0.025 in
100,000 to 150,000 lb: 0.02 in
200,000 to 250,000 lb: 0.035 in

- Cable Length:** 30 ft
- Cable Diameter:** 0.295 in
Polyurethane jacket
- Cable Color Code:** Red +Excitation
Black -Excitation
Green +Signal
White -Signal

Warranty: One-year limited

Approvals: cFMus
NTEP

VPG REVERSE

9103

Stainless Steel, Environmentally Sealed, NTEP Certified 1:10,000 Class III Multiple Cell, IP67



Picture is a representation of actual product

Approvals

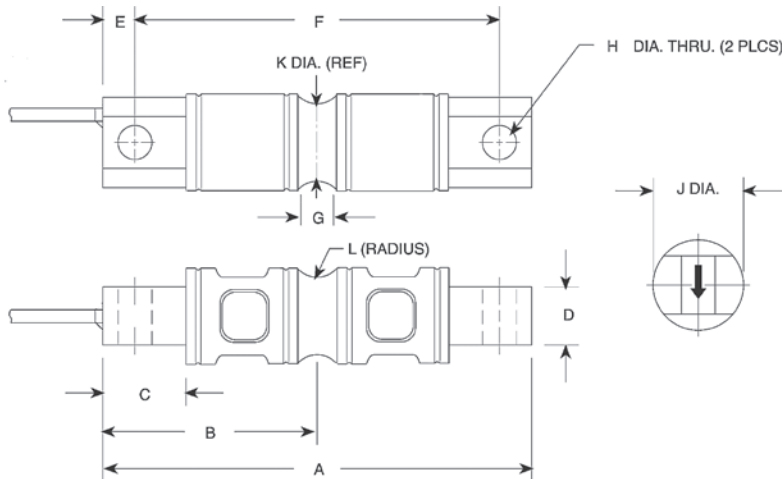


Order Information

Load Rating	Part #	Est. Weight	Price
NTEP Certified			
10,000 lb	17329	5 lb	\$820.00
20,000 lb	17330	5 lb	\$820.00
30,000 lb	17331	19 lb	\$901.00
40,000 lb	17332	19 lb	\$901.00
50,000 lb	17333	19 lb	\$1,007.00
60,000 lb	17334	19 lb	\$1,007.00
100,000 lb	17335	30 lb	\$1,960.00
Non-NTEP Certified			
5,000 lb	17328	5 lb	\$795.00
150,000 lb	17336	30 lb	\$2,008.00
Conduit Adapter Kit (must be factory installed to maintain warranty)			
3/8-24 to 1/4-18NPT	31534	1 lb	\$37.00
5/8-18UNF to 1/2-14 NPT	31535	1 lb	\$37.00

Dimensions

Rated Capacity	A	B	C	D	E	F	G	H	J	K	L
5,000 to 10,000 lb/in	8.12	4.06	1.44	1.12	0.62	6.88	0.62	0.66	1.70	1.48	0.50
20,000	8.12	4.06	1.44	1.12	0.62	6.88	0.84	0.66	1.95	1.48	0.50
30,000 to 60,000	10.25	5.12	1.88	2.37	0.88	8.50	1.00	1.06	3.00	2.73	1.00
100,000	11.25	5.62	1.88	2.50	0.88	9.50	1.00	1.06	3.50	3.24	1.50
150,000	11.25	5.62	1.88	2.80	0.88	9.50	1.25	1.06	3.90	3.64	1.50



Interchangeable Products

- RICE LAKE WEIGHING SYSTEMS
- RL70000SS page 130
- RL72020SS..... page 125

Weigh Module Available

- RICE LAKE WEIGHING SYSTEMS
- EZ Mount 1..... page 62

Specifications

- Full Scale Output:** 3.0 mV/V
- Output Resistance:** 700 (± 7) ohm
- Input Resistance:** 700 (± 7) ohm
- Material/Finish:** Stainless steel
- Temperature:** Compensated range 14 °F to 104 °F (-10 °C to 40 °C)
Operating range 0 °F to 150 °F (-18 °C to 65 °C)
- Seal Type:** Environmentally sealed, IP67
- Safe Overload:** 150% full scale
- Safe Sideload:** 100% full scale
- Rated Excitation:** 5 to 10 VDC (15 V maximum)
- Non-repeatability:** 0.02% full scale
- Combined Error:** 0.03% full scale
- Insulation Resistance:** 5,000 megohm
- Deflection at Capacity:** 5,000 lb: 0.02 in
10,000 lb: 0.025 in
20,000 lb: 0.042 in
30,000 to 50,000 lb: 0.02 in
60,000 lb: 0.025 in
100,000 to 150,000 lb: 0.02 in
- Cable Length:** 30 ft
- Cable Diameter:** 0.295 in
Polyurethane jacket
- Cable Color Code:** Red +Excitation
Black -Excitation
Green +Signal
White -Signal
- Warranty:** One-year limited
- Approvals:** cFMus
NTEP

VPG REVERSE



Picture is a representation of actual product

Approvals

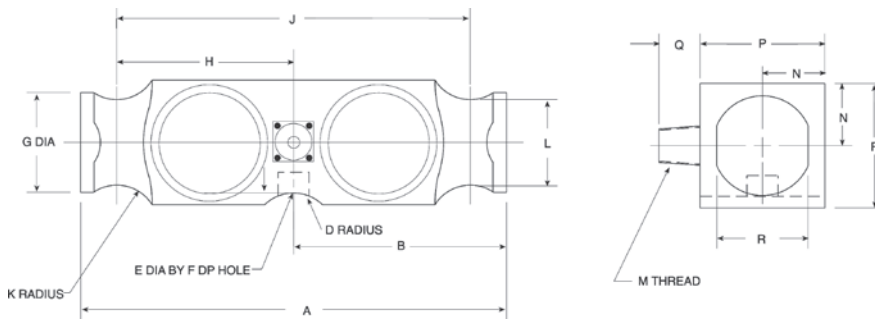


Order Information

Load Rating	Part #	Est. Weight	Price
50,000 lb	21605	22 lb	\$901.00
65,000 lb	21606	22 lb	\$901.00
100,000 lb	21607	22 lb	\$1,160.00
Overbraided Cable			
50,000 lb	101121	24 lb	\$948.00
65,000 lb	101122	24 lb	\$948.00
100,000 lb	101123	24 lb	\$1,266.00

Dimensions

Rated Capacity	A	B	D	E	F	G	H	J	K	L	M	N	P	Q	R
50,000 to 65,000	10.25	5.12	1.00	0.75	0.78	2.40	5.13	8.50	1.00	2.06	1/2-14 NPT	1.50	3.00	1.03	2.20
100,000	10.25	5.12	1.00	—	—	2.40	5.13	8.50	1.00	2.06	1/2-14 NPT	1.50	3.00	1.03	2.20



Interchangeable Products

RICE LAKE WEIGHING SYSTEMS
RL75223page 141
 THURMAN®
TSC 800

Weigh Module Available

RICE LAKE WEIGHING SYSTEMS
Translink™page 75

Specifications

Full Scale Output:

3.0 mV/V

Output Resistance:

700 (± 7) ohm

Input Resistance:

700 (± 7) ohm

Material/Finish:

High-alloy steel, nickel plated

Temperature:

Compensated range
 14 °F to 104 °F (-10 °C to 40 °C)
 Operating range
 0 °F to 150 °F (-18 °C to 65 °C)

Seal Type:

Welded-seal, IP67
 (Conduit is recommended for maximum protection against the ingress of water and moisture through the cable entry)

Safe Overload:

150% full scale

Safe Sideload:

100% full scale

Rated Excitation:

5 to 10 VDC (20 V maximum)

Combined Error:

0.025% full scale

Non-repeatability:

0.01% full scale

Insulation Resistance:

5,000 megohm

Deflection at Capacity:

50,000 lb: 0.018 in
 65,000 lb: 0.022 in
 100,000 lb: 0.034 in

Cable Length:

40 ft

Cable Diameter:

0.295 in
 Polyurethane jacket

Cable Color Code:

Red +Excitation
 Black -Excitation
 Green +Signal
 White -Signal

Warranty:

One-year limited

Approvals:

cFMus
 NTEP

9223

Stainless Steel, Environmentally Sealed, NTEP Certified 1:10,000 Class IIIIL Multiple Cell, IP67



Picture is a representation of actual product

Approvals

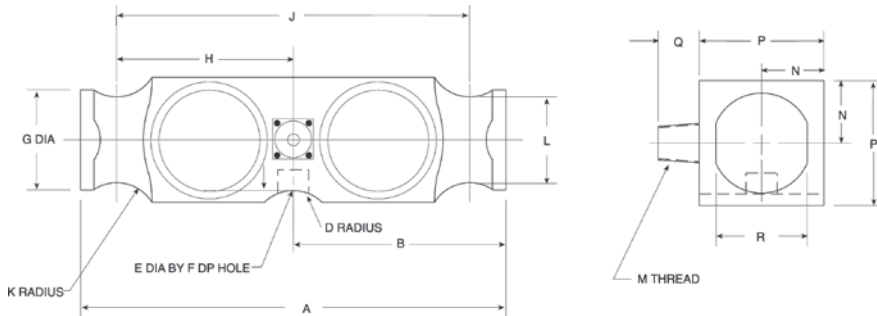


Order Information

Load Rating	Part #	Est. Weight	Price
50,000 lb	84150	22 lb	\$1,055.00
65,000 lb	84151	22 lb	\$1,055.00
100,000 lb	84152	22 lb	\$1,394.00
125,000 lb	84153	22 lb	\$1,394.00

Dimensions

Rated Capacity	A	B	D	E	F	G	H	J	K	L	M	N	P	Q	R
lb/in															
50,000 to 125,000	10.25	5.12	1.00	0.75	0.78	2.40	5.13	8.50	1.00	2.06	1/2-14 NPT	1.50	2.94	1.03	2.20



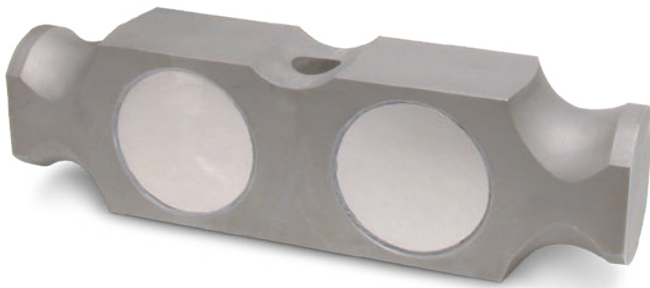
Weigh Module Available

RICE LAKE WEIGHING SYSTEMS
Translink™page 75

Specifications

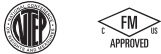
- Full Scale Output:**
3.0 mV/V
- Output Resistance:**
700 (± 7) ohm
- Input Resistance:**
700 (± 7) ohm
- Material/Finish:**
Stainless steel
- Temperature:**
Compensated range
14 °F to 104 °F (-10 °C to 40 °C)
Operating range
0 °F to 150 °F (-18 °C to 65 °C)
- Seal Type:**
Environmentally sealed, IP67
- Safe Overload:**
150% full scale
- Safe Sideload:**
100% full scale
- Rated Excitation:**
5 to 10 VDC (20 V maximum)
- Non-repeatability:**
0.01% full scale
- Combined Error:**
0.02% full scale
- Insulation Resistance:**
5,000 megohm
- Deflection at Capacity:**
50,000 lb: 0.018 in
65,000 lb: 0.022 in
100,000 lb: 0.034 in
- Cable Length:**
40 ft
- Cable Diameter:**
0.295 in
Polyurethane jacket
- Cable Color Code:**
Red +Excitation
Black -Excitation
Green +Signal
White -Signal
- Warranty:**
One-year limited
- Approvals:**
cFMus
NTEP

VPG REVERSE



Picture is a representation of actual product

Approvals

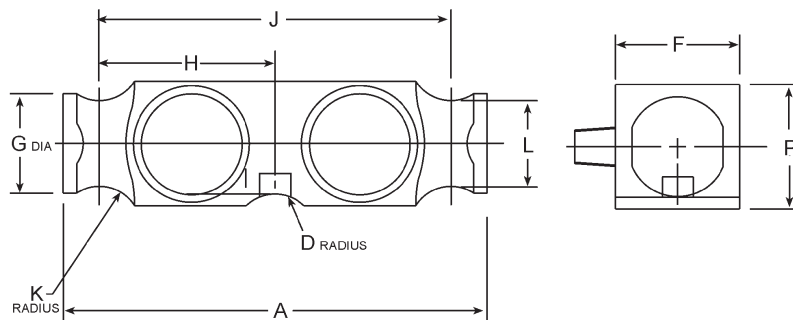


Order Information

Load Rating	Part #	Est. Weight	Price
50,000 lb	69489	17 lb	\$1,000.00
65,000 lb	69490	17 lb	\$1,000.00
100,000 lb	124390	17 lb	\$1,000.00

Dimensions

Rated Capacity	A	D	F	G	H	J	K	L	P
lb/in									
50,000 to 100,000	10.25	1.00	1.94	2.40	4.25	8.50	1.00	2.06	2.94



Interchangeable Products

NV TECHNOLOGY®
BLC-2-XX-N
 THURMAN®
10088970A-50K

Specifications

- Full Scale Output:**
3.0 mV/V
- Output Resistance:**
700 (± 3.5) ohm
- Input Resistance:**
700 (± 3.5) ohm
- Material/Finish:**
Stainless steel
- Temperature:**
Compensated range
14 °F to 104 °F (-10 °C to 40 °C)
Operating range
0 °F to 150 °F (-18 °C to 65 °C)
- Seal Type:**
Environmentally sealed, IP67
- Safe Overload:**
150% full scale
- Safe Sideload:**
100% full scale
- Rated Excitation:**
5 to 10 VDC (15 V maximum)
- Non-repeatability:**
0.01% full scale
- Combined Error:**
0.02% full scale
- Insulation Resistance:**
5,000 megohm
- Cable Length:**
30 ft
- Cable Diameter:**
0.295 in
Polyurethane jacket
- Cable Color Code:**
Red +Excitation
Black -Excitation
Green +Signal
White -Signal
- Warranty:**
One-year limited
- Approvals:**
cMus
NTEP

9323

Stainless Steel, Environmentally Sealed, NTEP Certified 1:10,000 Class IIIIL Multiple Cell, IP67



Picture is a representation of actual product

Approvals

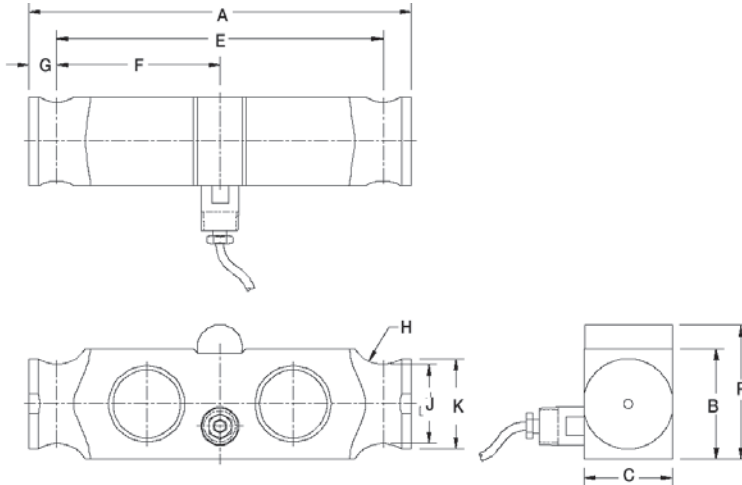


Order Information

Load Rating	Part #	Est. Weight	Price
50,000 lb	84156	13 lb	\$885.00
60,000 lb	84157	13 lb	\$885.00

Dimensions

Rated Capacity	A	B	C	E	F	G	H	J	K	P
50,000 to 60,000	8.50	2.45	1.95	7.25	3.63	0.63	0.75	1.75	2.00	3.00

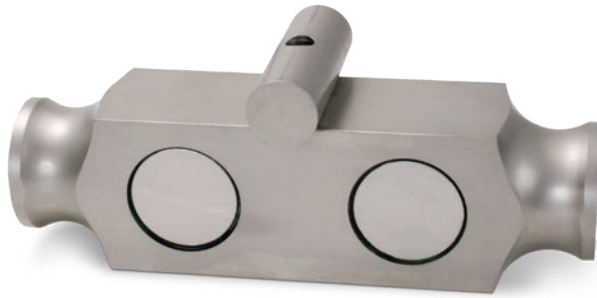


Interchangeable Products

NV TECHNOLOGY®
BLC-1-N-WP

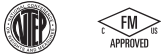
Specifications

- Full Scale Output:**
3.0 mV/V
- Output Resistance:**
700 (± 7) ohm
- Input Resistance:**
700 (± 7) ohm
- Material/Finish:**
Stainless steel
- Temperature:**
Compensated range
14 °F to 104 °F (-10 °C to 40 °C)
Operating range
0 °F to 150 °F (-18 °C to 65 °C)
- Seal Type:**
Environmentally sealed, IP67
- Safe Overload:**
150% full scale
- Safe Sideload:**
100% full scale
- Rated Excitation:**
5 to 10 VDC (15 V maximum)
- Non-repeatability:**
0.01% full scale
- Combined Error:**
0.02% full scale
- Insulation Resistance:**
5,000 megohm
- Cable Length:**
30 ft
- Cable Diameter:**
0.295 in polyurethane jacket
- Cable Color Code:**
Red –Excitation
Black –Excitation
Green +Signal
White –Signal
- Warranty:**
One-year limited
- Approvals:**
cFMus
NTEP



Picture is a representation of actual product

Approvals

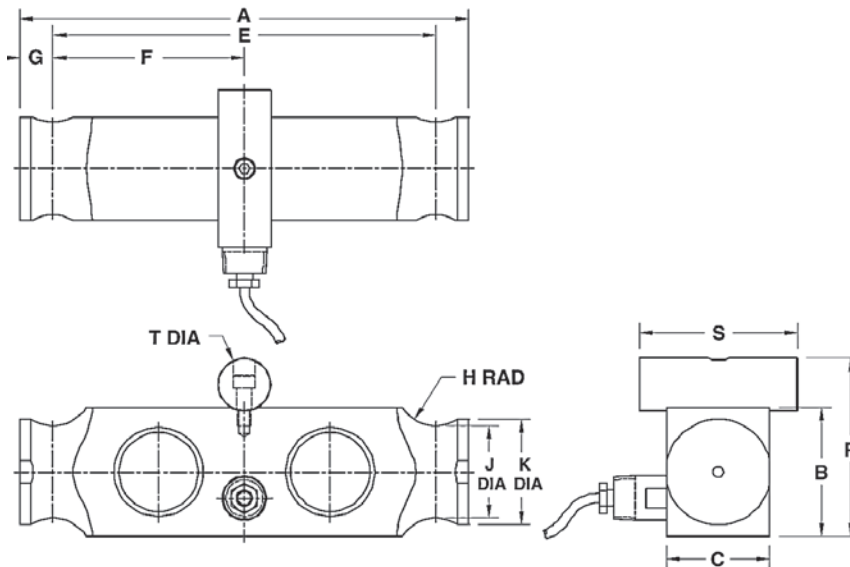


Order Information

Load Rating	Part #	Est. Weight	Price
50,000 lb	79711	14 lb	\$1,007.00
60,000 lb	79712	14 lb	\$1,055.00

Dimensions

Rated Capacity	A	B	C	E	F	G	H	J	K	R	S	T
lb/in												
50,000 to 60,000	8.50	2.45	1.95	7.25	3.62	0.63	0.75	1.75	2.00	3.38	3.00	1.00



Interchangeable Products

NV TECHNOLOGY®
BLC-1-N

Specifications

Full Scale Output:
3.0 mV/V

Output Resistance:
700 (± 7) ohm

Input Resistance:
700 (± 7) ohm

Material/Finish:
Stainless steel

Temperature:
Compensated range
14 °F to 104 °F (-10 °C to 40 °C)
Operating range
0 °F to 150 °F (-18 °C to 65 °C)

Seal Type:
Environmentally sealed, IP67

Safe Overload:
150% full scale

Safe Sideload:
100% full scale

Rated Excitation:
5 to 10 VDC (15 V maximum)

Non-repeatability:
0.01% full scale

Combined Error:
0.02% full scale

Insulation Resistance:
5,000 megohm

Cable Length:
30 ft

Cable Diameter:
0.295 in
Polyurethane jacket

Cable Color Code:
Red +Excitation
Black -Excitation
Green +Signal
White -Signal

Warranty:
One-year limited

Approvals:
cFMus
NTEP



Picture is a representation of actual product

Approvals



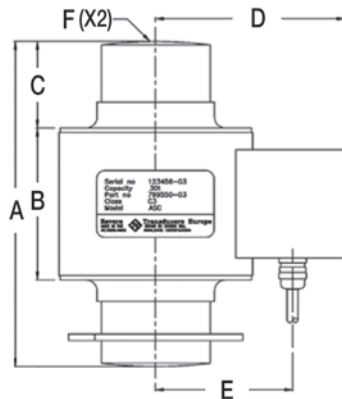
Available upon request

Order Information

Load Rating	Part #	Est. Weight	Price
OIML			
30 T	151312	5 lb	\$736.00
40 T	151313	5 lb	\$736.00
50 T	151314	5 lb	\$736.00
Options			
Load Cup Set (Upper and Lower)	160452	6 lb	\$100.00

Dimensions

Rated Capacity	A	B	C	D	E	F
T/mm						
30 to 50	150	70	40	87	69	R200



Specifications

- Full Scale Output:**
2.00 (± 0.02) mV/V
- Output Resistance:**
700 (± 7) ohm
- Input Resistance:**
700 (± 35) ohm
- Material/Finish:**
Stainless steel
- Temperature:**
Operating range
0 °F to 150 °F (-18 °C to 65 °C)
- Seal Type:**
Hermetically sealed, IP68
- Safe Overload:**
150% full scale
- Rated Excitation:**
5 to 20 VDC
- Combined Error:**
0.02% full scale
- Insulation Resistance:**
5,000 megohm
- Cable Length:**
15 m
- Cable Diameter:**
0.295 in polyurethane jacket
- Cable Color Code:**
Green +Excitation
Black -Excitation
White +Signal
Red -Signal
- Warranty:**
One-year limited
- Approvals:**
cFMus
OIML
Ex (available upon request)



Picture is a representation of actual product

Approvals



Order Information: NTEP Certified

Load Rating	Part #	Est. Weight	Price
NTEP Certified			
0.5 T	36190	2 lb	\$689.00
1 T	36191	2 lb	\$689.00
2 T	36192	3 lb	\$742.00
3.5 T	36193	3 lb	\$742.00
5 T	36194	3 lb	\$742.00
10 T	177263	6 lb	\$742.00
OIML			
0.25 T	126714	2 lb	\$689.00
0.5 T	126715	2 lb	\$689.00
1 T	126716	2 lb	\$742.00
2 T	126717	3 lb	\$742.00
3.5 T	126718	3 lb	\$742.00
5 T	126719	3 lb	\$742.00
10 T	177262	3 lb	\$742.00

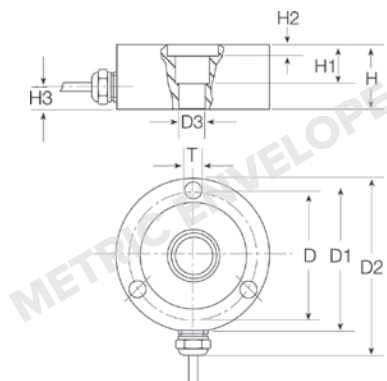
Replacement Rocker Pin Set*

Load Rating (Per Module)	Part #	Price
250 kg to 1 T	170875	\$132.00
2 T to 5 T	170876	\$132.00
10 T	170877	\$132.00

*Kit includes upper cup, rocker pin and grease

Dimensions

Rated Capacity	D	D1	D2	D3	H	H1	H2	H3	T
T/in									
0.25 to 1	2.76	3.15	3.84	0.40	0.99	0.60	0.04	0.37	M6 (3 x 120°)
2 to 5	2.76	3.15	3.84	0.60	1.18	0.79	0.24	0.33	M6 (3 x 120°)
10	3.26	3.74	4.42	0.98	1.37	0.58	-	0.39	M6 (3 x 120°)



Weigh Module Available

RICE LAKE WEIGHING SYSTEMS
RLC..... page 53

Specifications

- Full Scale Output:**
2.0 mV/V
- Output Resistance:**
1,025 (± 25) ohm
- Input Resistance:**
1,110 (± 50) ohm
- Material/Finish:**
Stainless steel
- Temperature:**
Compensated range
14 °F to 104 °F (-10 °C to 40 °C)
Operating range
0 °F to 150 °F (-18 °C to 65 °C)
- Seal Type:**
Hermetically sealed, IP66/68
- Safe Overload:**
150% full scale
- Safe Sideload:**
100% full scale
- Rated Excitation:**
5 to 10 VDC (15 V maximum)
- Combined Error:**
0.02% full scale
- Insulation Resistance:**
5,000 megohm
- Cable Length:**
5 m
- Cable Color Code:**
Pink +Excitation
Grey -Excitation
Brown +Signal
White -Signal
- Warranty:**
One-year limited
- Approvals:**
FM
OIML
NTEP





Picture is a representation of actual product

Approvals

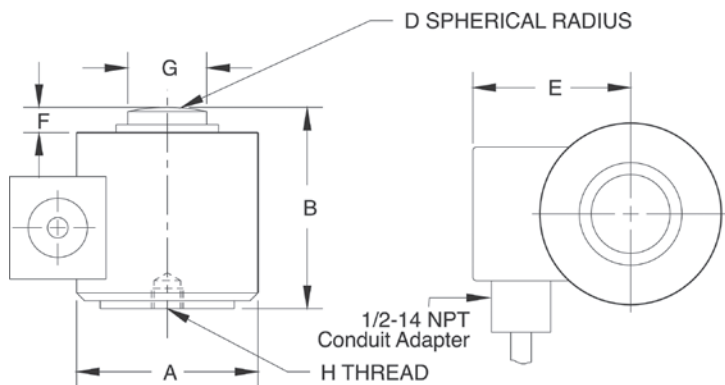


Order Information

Load Rating	Part #	Est. Weight	Price
10,000 lb	17588	8 lb	\$1,425.00
25,000 lb	17589	8 lb	\$1,425.00
50,000 lb	17590	8 lb	\$1,425.00
100,000 lb	17591	16 lb	\$1,575.00
200,000 lb	17592	40 lb	\$2,432.00
300,000 lb	17593	40 lb	\$2,676.00
500,000 lb	17594	53 lb	\$4,765.00

Dimensions

Rated Capacity	A	B	D	E	F	G	H	DEPTH of H
lb/in								
10,000 to 50,000	2.48	3.25	6.00	3.30	0.40	1.25	1/2-20 UNF	0.31
100,000	4.12	5.00	6.00	3.50	0.51	2.31	3/4-16 UNF	0.56
200,000 to 300,000	6.00	7.25	17.00	4.60	1.04	3.13	3/4-16 UNF	0.75
500,000	6.50	9.00	17.00	4.80	0.56	3.69	3/4-16 UNF	0.75



Interchangeable Products

- VPG® REVERE
- 392B**
- ARTECH®
- 90210**
- CARDINAL®
- CP1**
- HOWE RICHARDSON®
- 20908XXX**
- STREETER AMET®
- 3753070, 3752030, 3752040, 3751940**

Weigh Module Available

RICE LAKE WEIGHING SYSTEMS
MagnaMount®page 77

Specifications

- Full Scale Output:**
1.75 mV/V
- Output Resistance:**
480 (± 4.8) ohm
- Input Resistance:**
450 (± 4.5) ohm
- Material/Finish:**
Stainless steel
- Temperature:**
Operating range
0 °F to 150 °F (-18 °C to 65 °C)
- Seal Type:**
Welded-seal, IP68
- Safe Overload:**
150% full scale
- Rated Excitation:**
5 to 10 VDC (15 V maximum)
- Combined Error:**
0.15% full scale
- Non-repeatability:**
0.03% full scale
- Insulation Resistance:**
5,000 megohm
- Deflection at Capacity:**
10,000 to 50,000 lb: 0.003 in
100,000 to 300,000 lb: 0.006 in
500,000 lb: 0.009 in
- Cable Length:**
30 ft
- Cable Diameter:**
0.295 in
Polyurethane jacket
- Cable Color Code:**
Green +Excitation
Black -Excitation
White +Signal
Red -Signal
- Warranty:**
One-year limited
- Approvals:**
cFMus

VPG REVERE



Picture is a representation of actual product

Approvals

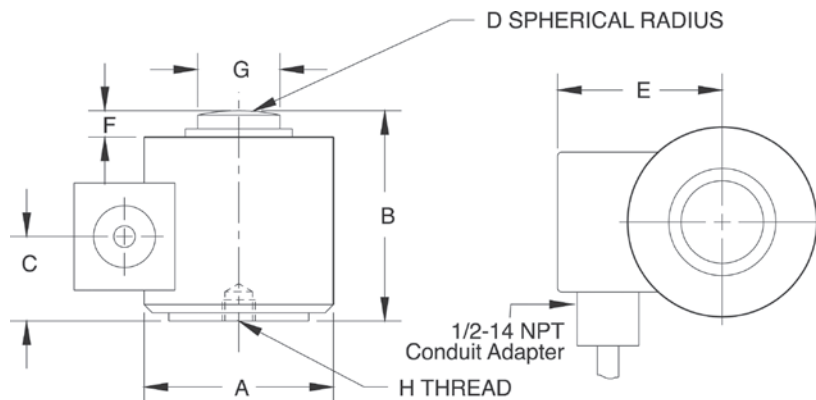


Order Information

Load Rating	Part #	Est. Weight	Price
NTEP Certified, 30 ft Cable			
25,000 lb	21649	7 lb	\$1,700.00
50,000 lb	21650	7 lb	\$1,700.00
100,000 lb	21651	15 lb	\$1,892.00
200,000 lb	21652	36 lb	\$2,538.00
NTEP Certified, 60 ft Cable			
200,000 lb	188769	40 lb	\$2,645.00
Non-NTEP Certified, 30 ft Cable			
10,000 lb	17595	6 lb	\$1,611.00
300,000 lb	17597	40 lb	\$2,645.00
500,000 lb	17598	40 lb	\$4,966.00
OIML, 60 ft Cable			
60T	194528	15 lb	\$1,892.00

Dimensions

Rated Capacity	A	B	C	D	E	F	G	H	DEPTH of H
lb/in									
10,000 to 50,000	2.88	3.25	1.28	6.00	2.51	0.40	1.25	1/2-20 UNF	0.38
100,000	4.12	5.00	2.15	6.00	3.39	0.51	2.31	3/4-16 UNF	0.56
200,000 to 300,000	6.00	7.25	3.63	17.00	4.26	1.04	3.13	3/4-16 UNF	0.75
500,000	6.50	9.00	4.34	17.00	4.59	0.56	3.69	3/4-16 UNF	0.75



Interchangeable Products

- RICE LAKE WEIGHING SYSTEMS
- RLCSP1*** page 144
- VPG® REVERE
- 692B***
- ARTECH
- 90310***
- HOWE RICHARDSON®
- 244699-000X***
- STREETER AMET3760XXX

Weigh Module Available

- RICE LAKE WEIGHING SYSTEMS
- MagnaMount®** page 77

* Load cell diameter may not be identical

Specifications

- Full Scale Output:**
2 mV/V
- Output Resistance:**
480 (± 4.8) ohm
- Input Resistance:**
450 (± 4.5) ohm
- Material/Finish:**
Stainless steel
- Temperature:**
Compensated range
14 °F to 104 °F (-10 °C to 40 °C)
Operating range
0 °F to 150 °F (-18 °C to 65 °C)
- Seal Type:**
Welded-seal, IP68
- Safe Overload:**
150% full scale
- Rated Excitation:**
5 to 10 VDC (15 V maximum)
- Combined Error:**
0.02% full scale (0.05% Non-NTEP Certified)
- Non-repeatability:**
0.01% full scale
- Insulation Resistance:**
5,000 megohm
- Deflection at Capacity:**
10,000 to 50,000 lb: 0.003 in
100,000 to 300,000 lb: 0.006 in
500,000 lb: 0.009 in
- Cable Length:**
30 ft
60 ft
- Cable Diameter:**
0.295 in
Polyurethane jacket
- Cable Color Code:**
Green +Excitation
Black -Excitation
White +Signal
Red -Signal
- Warranty:**
One-year limited
- Approvals:**
cFMus
NTEP
OIML

VPG REVERE



Picture is a representation of actual product

Approvals

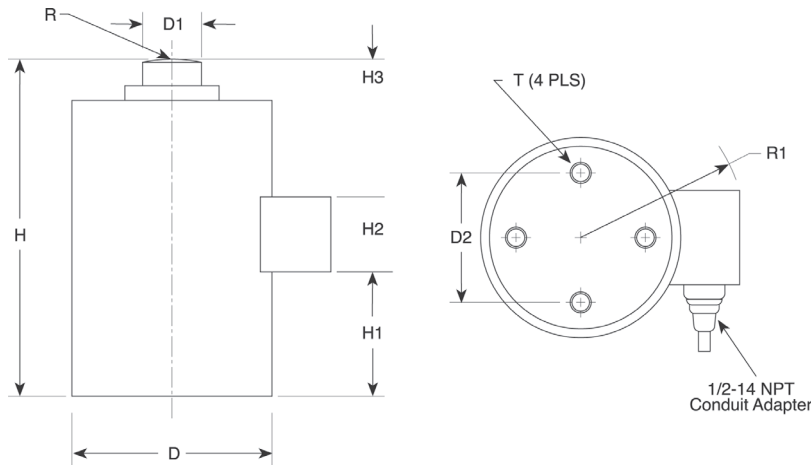


Order Information

Load Rating	Part #	Est. Weight	Price
50,000 lb	31307	19 lb	\$2,326.00
100,000 lb	31306	35 lb	\$2,326.00
200,000 lb	31305	74 lb	\$3,598.00

Dimensions

Rated Capacity	D	D1	D2	H	H1	H2	H3	R	R1	T
lb/in										
50,000	4.50	1.25	2.38	7.50	3.06	1.60	0.75	6.00	3.75	3/8-24 UNF x .63 DP
100,000	5.75	1.75	4.00	9.13	2.60	1.60	1.05	12.00	4.05	1/2-20 UNF x .75 DP
200,000	7.50	2.50	5.50	11.63	3.95	1.60	0.97	12.00	5.11	5/8-18 UNF x 1.00 DP



Interchangeable Products

RICE LAKE WEIGHING SYSTEMS
RL8C2P1SST page 145
 ARTECH®
90405

Specifications

- Full Scale Output:**
2.0 mV/V
- Output Resistance:**
350 (± 3.5) ohm
- Input Resistance:**
350 (± 3.5) ohm
- Material/Finish:**
Stainless steel
- Temperature:**
Compensated range
14 °F to 104 °F (-10 °C to 40 °C)
Operating range
0 °F to 150 °F (-18 °C to 65 °C)
- Seal Type:**
Welded-seal, IP68
- Safe Overload:**
150% full scale
- Rated Excitation:**
5 to 10 VDC (15 V maximum)
- Non-repeatability:**
0.01% full scale
- Combined Error:**
0.03% full scale
- Insulation Resistance:**
5,000 megohm
- Deflection at Capacity:**
50,000 lb: 0.004 in
100,000 lb: 0.006 in
200,000 lb: 0.009 in
- Cable Length:**
35 ft
- Cable Diameter:**
0.295 in
Polyurethane jacket
- Cable Color Code:**
Green +Excitation
Black -Excitation
White +Signal
Red -Signal
- Warranty:**
One-year limited
- Approvals:**
cFMus
NTEP



Picture is a representation of actual product

Approvals

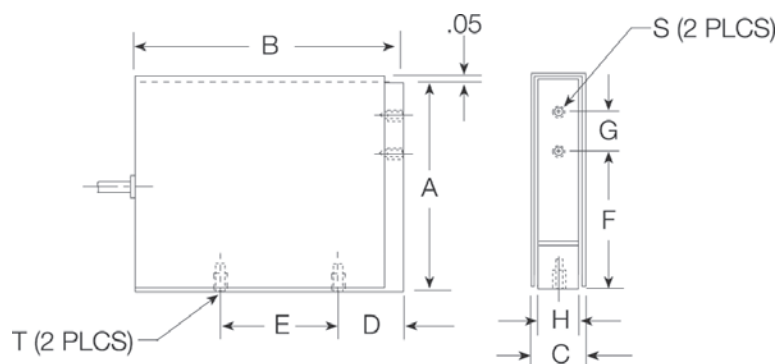


Order Information

Load Rating	Part #	Est. Weight	Price
2 lb	17442	3 lb	\$630.00
5 lb	17443	3 lb	\$630.00
10 lb	17444	3 lb	\$630.00
20 lb	17445	3 lb	\$630.00
50 lb	17446	5 lb	\$662.00
100 lb	17447	5 lb	\$662.00
250 lb	17448	5 lb	\$683.00

Dimensions

Rated Capacity	A	B	C	D	E	F	G	H	T	S
lb/in										
2 to 20	4.00	5.13	0.91	1.25	2.20	2.60	0.75	0.75	1/4-28 UNF x .38 DP	10-32 UNF x .25 DP
50 to 100	4.60	6.00	1.16	1.90	2.20	2.60	1.00	1.00	3/8-24 UNF x .50 DP	1/4-28 UNF x .50 DP
250	4.60	6.00	1.16	1.90	2.20	2.35	1.50	1.00	3/8-24 UNF x .50 DP	3/8-24 UNF x .50 DP



Specifications

- Full Scale Output:**
2.0 mV/V
- Output Resistance:**
350 (± 3.5) ohm
- Input Resistance:**
390 (± 15) ohm
- Material/Finish:**
Alloy steel with stainless steel cover
- Temperature:**
Operating range
0 °F to 150 °F (-18 °C to 65 °C)
- Seal Type:**
Environmentally sealed, IP67
- Safe Overload:**
150% full scale
- Rated Excitation:**
5 to 10 VDC nominal (15 V maximum)
- Combined Error:**
0.03% full scale
- Non-repeatability:**
0.01% full scale
- Insulation Resistance:**
5,000 megohm
- Deflection at Capacity:**
2 to 20 lb: 0.06 in
50 to 250 lb: 0.04 in
- Cable Length:**
10 ft
- Cable Color Code:**
Red +Excitation
Black -Excitation
Green +Signal
White -Signal
- Warranty:**
One-year limited
- Approvals:**
cFMus





Picture is a representation of actual product

Approvals

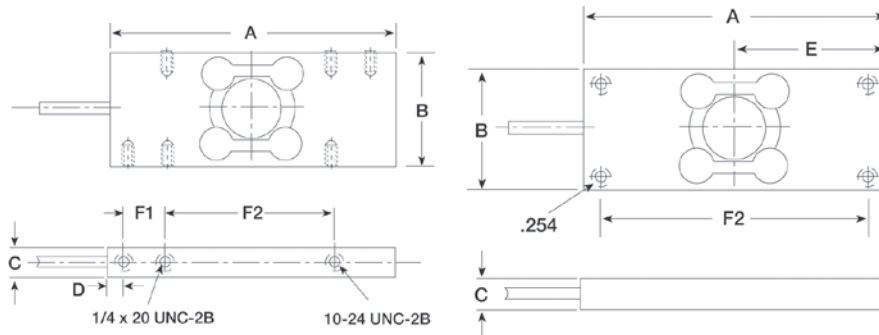


Order Information

Load Rating	Part #	Est. Weight	Price
6 kg	22335	2 lb	\$652.00
6 kg	116475	2 lb	\$652.00
25 lb	17406	2 lb	\$652.00
50 lb	17407	2 lb	\$652.00
100 lb	17408	2 lb	\$826.00

Dimensions

Rated Capacity	A	B	C	D	E	F1	F2
kg/mm							
6	127.0	50.2	18.5	—	63.5	—	107.9
25 to 50	127.0	50.2	18.5	6.3	—	19.0	76.2
100	127.0	46.2	23.8	6.3	—	19.0	76.2



HPS 6 kg - 100 lbs
(PN 22335, 17406, 17407, 17408)

HPS (6 KGS)
(PN 116475)

Specifications

- Full Scale Output:**
25 to 100 lb: 3.0 mV/V
6 kg: 2.0 mV/V
- Output Resistance:**
350 (± 7) ohm
- Input Resistance:**
400 (± 6) ohm
- Material/Finish:**
Stainless steel
- Temperature:**
Operating range
0 °F to 150 °F (-18 °C to 65 °C)
- Seal Type:**
Welded-seal, IP67
- Safe Overload:**
150% full scale
- Rated Excitation:**
5 to 10 VAC (15 V maximum)
- Combined Error:**
0.03% full scale
- Non-repeatability:**
0.01% full scale
- Insulation Resistance:**
5,000 megohm
- Cable Length:**
10 ft
- Cable Color Code:**
Green +Excitation
Black -Excitation
White +Signal
Red -Signal
- Warranty:**
One-year limited
- Approvals:**
cFMus



Picture is a representation of actual product

Approvals

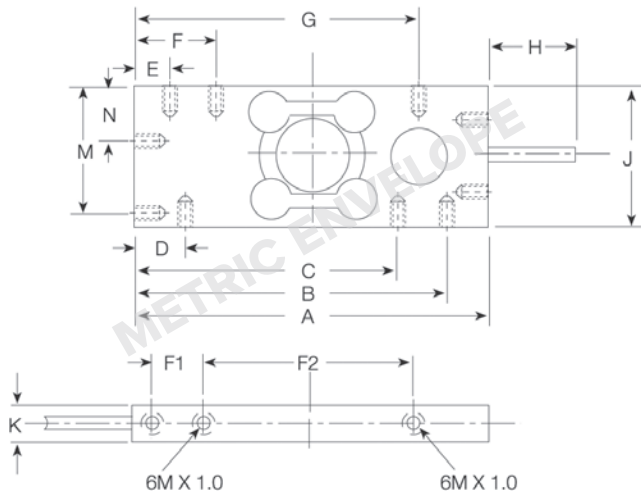


Order Information

Load Rating	Part #	Est. Weight	Price
6 kg	22334	2 lb	\$652.00
12 kg	109131	2 lb	\$652.00
30 kg	115336	2 lb	\$736.00

Dimensions

Rated Capacity	A	B	C	D	E	F	F1	F2	G	H	J	K	M	N
kg/mm														
6 to 30	130	117	98	23	14	33	19	75	108	25	50	19	44	20



Specifications

- Full Scale Output:**
2.0 mV/V
- Output Resistance:**
350 (± 3.5) ohm
- Input Resistance:**
350 (± 3.5) ohm
- Material/Finish:**
Stainless steel
- Temperature:**
Operating range
0 °F to 150 °F (-18 °C to 65 °C)
- Seal Type:**
Welded-seal, IP67
- Safe Overload:**
150% full scale
- Rated Excitation:**
5 to 10 VDC (15 V maximum)
- Combined Error:**
0.03% full scale
- Non-repeatability:**
0.01% full scale
- Insulation Resistance:**
5,000 megohm
- Cable Length:**
20 ft
- Cable Color Code:**
Green +Excitation
Black -Excitation
White +Signal
Red -Signal
- Warranty:**
One-year limited
- Approvals:**
cFMus



AX3040

Alloy Steel, Environmentally Sealed, IP66



Picture is a representation of actual product

Specifications

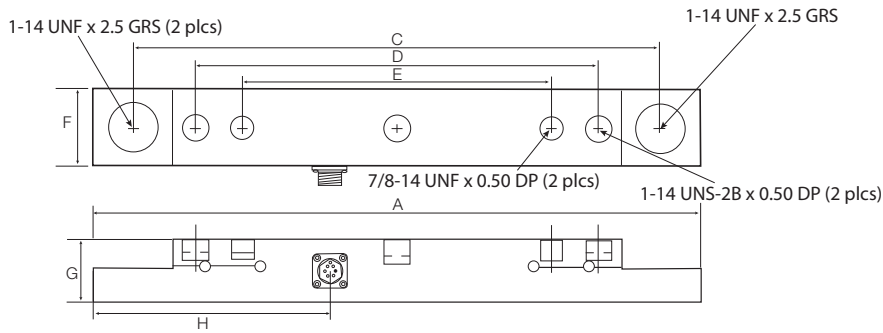
- Full Scale Output:**
0.5 mV/V at 12,500 lb
- Output Resistance:**
350 ohm (nominal)
- Input Resistance:**
350 ohm (nominal)
- Material/Finish:**
Alloy steel
- Temperature:**
Operating range
0 °F to 150 °F (-18 °C to 65 °C)
- Seal Type:**
Environmentally sealed, IP66
- Manufacturer Model Number:**
8300420-10
- Rated Excitation:**
15 VDC
- Non-linearity:**
±1.0% full scale
- Insulation Resistance:**
5,000 megohm at 50 VDC
- Warranty:**
One-year limited

Order Information

Load Rating	Part #	Est. Weight	Price
20,000 lb	111766	30 lb	\$1,120.00

Dimensions

Rated Capacity	A	B	C	D	E	F	G	H
20,000 lb/in	22.60	24.60	19.60	15.00	11.50	2.84	2.38	8.80



VPG REVERE