

# Livestock Scales

---

## TABLE OF CONTENTS

<b>RoughDeck® SLV</b> .....	<b>622</b>
<i>Single Animal Livestock Scale</i>	
<b>RoughDeck® EQ</b> .....	<b>624</b>
<i>Equine Floor Scale and Indicator Package</i>	
<b>Farm Bars</b> .....	<b>626</b>
<i>With 380 Indicator</i>	
<b>Farm Bars</b> .....	<b>627</b>
<i>Without Instrumentation</i>	

The following product names, logos, brands and other trademarks featured or referred to within this publication are the property of their respective trademark holders.

# RoughDeck® SLV

Single Animal Livestock Scale



Approvals



## Part Number/Price

Part #	Outside Dimensions	Capacity	Est. Weight	Price
103617	8 × 3 ft	4,000 lb, 20 ft without Quick Connect, modified to fit gate and rack (scale platform only)	565 lb	\$3,300.00
78452	8 × 3 ft	4,000 lb, 20 ft without Quick Connect (gate and rack not included) (scale platform only)	565 lb	\$3,300.00
103619	8 × 4 ft	4,000 lb, 20 ft without Quick Connect, modified to fit gate and rack (scale platform only)	750 lb	\$3,400.00
78453	8 × 4 ft	4,000 lb, 20 ft without Quick Connect (gate and rack not included) (scale platform only)	750 lb	\$3,400.00
<b>RoughDeck SLV 4,000 lb Bundle Package (Ships Assembled)</b>				
124192	8 × 3 ft	Includes: scale, 2 swing gates and racks, kick plates, 482 digital indicator, factory calibration	1,200 lb	\$6,000.00
160100	8 × 3 ft	Includes: scale, 2 sliding gates and racks, kick plates, 482 digital indicator, factory calibration	1,310 lb	\$8,800.00
124193	8 × 4 ft	Includes: scale, 2 swing gates and racks, kick plates, 482 digital indicator, factory calibration	1,500 lb	\$6,500.00

## Options/Accessories

Part #	Description	Price
Consult	Smooth deck instead of diamond safety tread plate	N/C
Consult	Stainless steel load cells (RL32018S IP66) and hardware	\$128.00 list price add-on
Consult	Stainless steel hermetically sealed load cells (RL32218S-HE IP69K) and hardware	\$468.00 list price add-on
Consult	Angle iron bolted to scale for wood deck provisions (wood to be supplied by customer)	\$225.00
Consult	Rubber mat	Consult
Consult	Slide gate	Consult
18777	Floor anchor plates, mild steel (set of 2)	\$38.00
18778	Floor anchor plates, stainless steel (set of 2)	\$50.00

## Standard Features

- Mild steel construction
- Rugged diamond safety treadplate deck
- Rigid structural steel channel frame
- NEMA Type 4X stainless steel side-access junction box without quick connector
- Signal trim summing board
- Four adjustable stainless steel SUREFOOT™ support feet
- SURVIVOR® EL147HE hostile environment load cell cable
- Four alloy steel load cells

## Specifications

### End Load Capacity:

125% full scale

### Cable Length:

20 ft (6 m)

### Capacity:

4,000 × 1 lb

### Warranty:

Two-year limited (scale only)

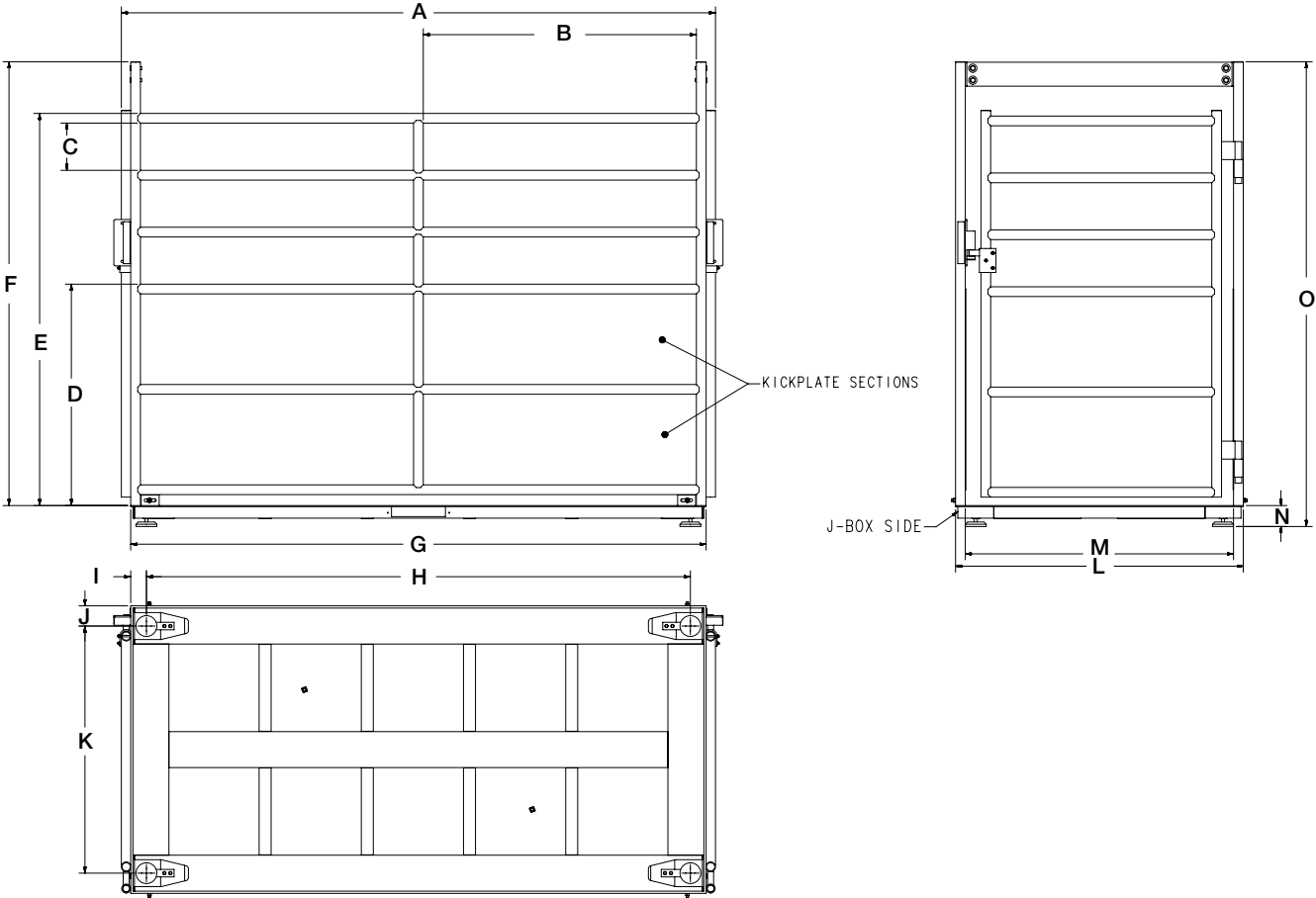
### Approvals:

NTEP CC 92-001 Class III 4,000d

*Capacity not to exceed 4,000 lb x 1 lb and platform size not to exceed 32 sq ft*

# RoughDeck® SLV

Single Animal Livestock Scale

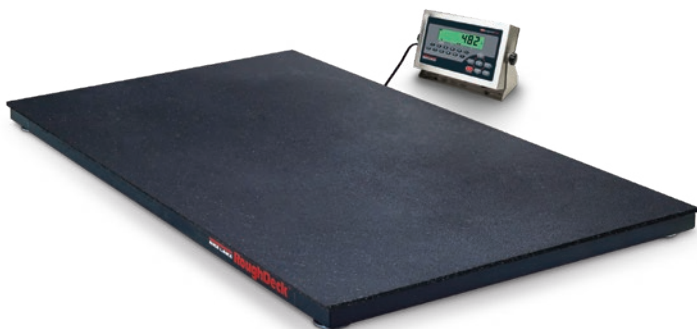


Dimensions			
<b>3 × 8 ft</b>			
A	99.12 in	I	2.63 in
B	45.56 in	J	3.38 in
C	7.88 in	K	29.25 in
D	36.95 in	L	36.00 in
E	65.45 in	M	32.75 in
F	74.00 in	N	3.50 in
G	95.00 in	O	77.58 in
H	90.75 in		
<b>4 × 8 ft</b>			
A	99.12 in	I	2.63 in
B	45.56 in	J	3.38 in
C	7.88 in	K	41.25 in
D	36.95 in	L	48.00 in
E	65.45 in	M	44.75 in
F	74.00 in	N	3.50 in
G	95.00 in	O	77.58 in
H	90.75 in		

LIVESTOCK SCALES

# RoughDeck® EQ

Equine Floor Scale and Indicator Package



## Standard Features

- Package includes 4 ft × 6 ft × 4.25 in floor scale with stall mat, 20 ft of SURVIVOR EL147HE hostile environment load cell cable and indicator
- Mat thickness 0.75 in

### Scale

- Heavy-duty design with structural steel channel frame
- Stall mat to reduce noise and instill equine comfort
- 4 adjustable stainless steel SUREFOOT™ support feet
- Powder-coated black matte finish

### Indicator

- LCD backlit display for a variety of environments
- Battery backed time and date
- Communication ports for connecting to a variety of peripherals

## RoughDeck EQ Specifications

### End Load Capacity:

100% full scale at 2,500 lb

### Load Cells:

Model RL32018 alloy steel environmentally sealed IP66

### Junction Box:

Side access, TuffSeal JB4SS stainless steel, NEMA Type 4X with a signal card

### Feet:

Stainless steel SUREFOOT, adjustable (+0.25 in or -0.125 in) for leveling the scale

### Finish:

Powder coat painted, black matte

### Cable Length:

20 ft (6.1 m) for connecting junction box to indicator

### Threaded Eyebolt:

One lifting hole located in center of scale for easy install (requires 1/2-20NF eyebolt, not included)

### Warranty:

Two-year limited

## 482 Specifications

### Power:

Line voltages: 100 to 240 VAC  
Frequency: 50/60 Hz  
DC voltages: n/a

### Communication Ports:

Com 1: RS-232 full duplex  
Com 2: RS-232 full duplex or 20 mA simplex, continuous  
Both ports 1200, 2400, 4800, 9600, 19200, 38400 baud seven or eight data bits, even, odd or no parity

### Optional Ethernet and USB Board:

USB five-pin header for PC, printer or flash drive  
Ethernet TCP/IP, RJ45 jack, server and client ports

### Display:

LCD backlit, transmissive/ transfective, 0.8 in (20 mm), six-digit, seven-segment

### Annunciators:

Gross, net, center of zero, standstill, lb, kg, tare, preset tare

### Keys/Buttons:

Flat membrane panel, embossed keys, tactile feel

### Rating/Material:

NEMA Type 4X/IP66  
Stainless steel

### Approvals:

NTEP CC 12-123  
Measurement Canada AM-5892C  
CE Marked  
cULus Listed

## Part Number/Price

Part #	Size (L × W × H)	Capacity	Est. Weight	Price
<b>RoughDeck EQ Floor Scale with 482 Indicator</b>				
207811	6 ft × 4 ft × 4.25 in	2,500 × 0.5 lb	610 lb	\$3,600.00

Note: Height includes stall mat

## Options/Accessories

Part #	Description	Price
Consult	Access ramps	+ Consult list price add-on
Consult	Smooth deck instead of diamond safety tread plate	N/C
12839*	50 lb cast iron calibration weights	\$150.00
207812	Guide rail, 5.66 ft long × 4.36 ft high, field installable, black matte finish	+\$295.00 list price add-on
18777	Floor anchor plates	\$38.00

\*Quantity of 5 weights is recommended for 10% of capacity.



RoughDeck EQ with two optional guide rails installed

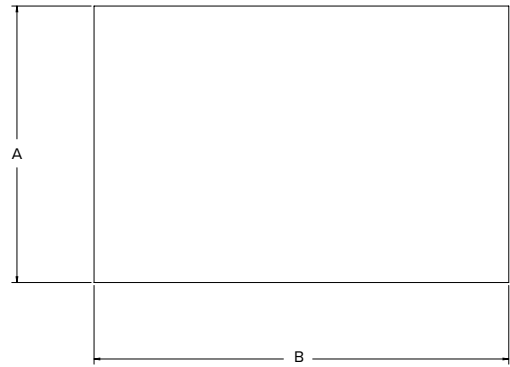
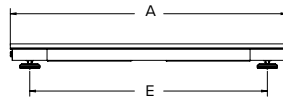
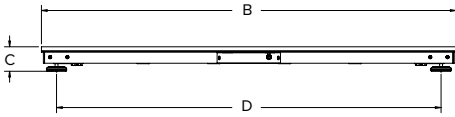
# RoughDeck® EQ

Equine Floor Scale and Indicator Package

## Dimensions

### 4 ft × 6 ft × 4.25 in with No Optional Guide Rail

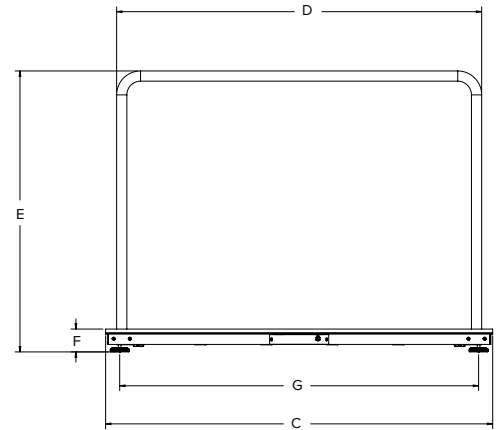
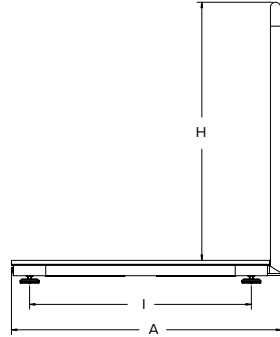
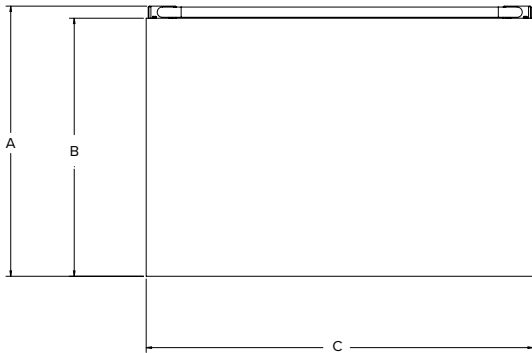
A	48.00 in	D	66.76 in
B	72.00 in	E	41.25 in
C	4.25 in		



## Dimensions

### 4 ft × 6 ft × 4.25 in with One Optional Guide Rail

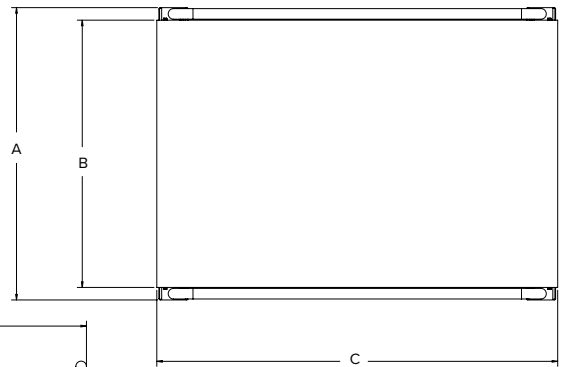
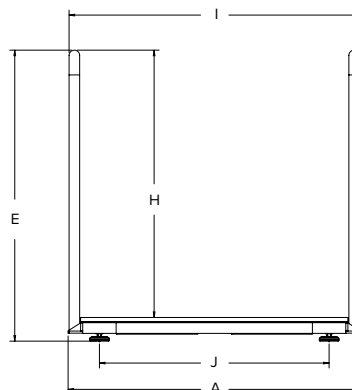
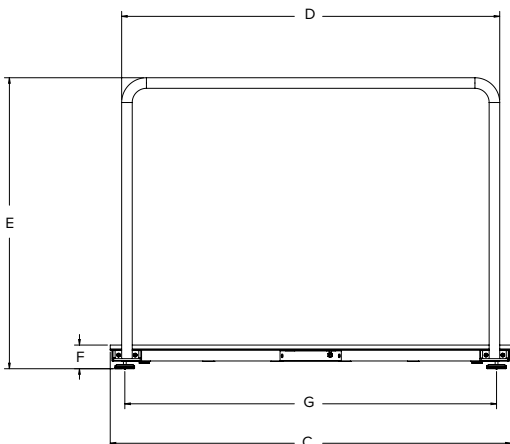
A	50.25 in	F	4.25 in
B	48.00 in	G	66.76 in
C	72.00 in	H	48.00 in
D	67.90 in	I	41.25 in
E	52.26 in		



## Dimensions

### 4 ft × 6 ft × 4.25 in with Two Optional Guide Rails

A	50.25 in	F	4.25 in
B	48.00 in	G	66.76 in
C	72.00 in	H	48.00 in
D	67.90 in	I	52.15 in
E	52.26 in	J	41.25 in



# Farm Bars

With 380 Indicator



## Standard Features

- Indicator cable length 12 ft
- 3 ft ArmorGuard cable included
- Kit includes 380 Synergy Series digital weight indicator powered by 4 C-cell batteries (not included)
- Factory calibrated when sold with instrumentation
- Capacities from 2,500 to 10,000 lb

## Specifications

### Safe Overload:

150%

### Full Scale Output:

3mv/V nominal

Output is standardized for each model of load bar, consult factory for details

### Maximum Excitation:

15 VDC

### Nonlinearity:

0.02% full scale

### Hysteresis:

0.02% full scale

### Bridge Resistance:

350 ohm

### Temperature Range:

-40 °F to 111 °F (-40 °C to 44 °C)

### Cable Configuration:

8 ft between bars and 12 ft for the indicator

### Warranty:

Two-year limited

## 380 Specifications

### Power:

Batteries: 4 alkaline C-cell (not included)

Optional: 115/230 VAC to 12 VDC adapter

### Battery Life:

100 hours on alkaline batteries with one 350 ohm load cell, no backlight

### Communication Ports:

One RS-232 (three-wire)

One USB 2.0

### Display:

Six 1 in (25 mm) tall, LCD digits

### Annunciators:

g, lb, t, tn, kg, oz, battery level, PT, LT, gross, zero, unstable, net

### Keys/Buttons:

5 tactile buttons

### Rating/Material:

Enclosure: IP66

304 stainless steel

### Approvals:

NTEP CC 12-123

Measurement Canada AM-5892

CE Marked

cULus Listed

## Part Number/Price

Part #	Description	Est. Weight	Price
<b>With 380 Indicator</b>			
<b>2,500 lb Capacity</b>			
214517	2,500U 22 – Farm Bar Kit, 22 in with 380, 2,500 capacity, square pads	98 lb	\$3,200.00
<b>5,000 lb Capacity</b>			
214518	5,000U 26 – Farm Bar Kit, 26 in with 380, 5,000 capacity, square pads	117 lb	\$3,600.00
214519	5,000U 33 – Farm Bar Kit, 33 in with 380, 5,000 capacity, square pads	123 lb	\$3,600.00
214520	5,000U 36 – Farm Bar Kit, 36 in with 380, 5,000 capacity, square pads	128 lb	\$3,600.00
214521	5,000U 40 – Farm Bar Kit, 40 in with 380, 5,000 capacity, square pads	134 lb	\$3,600.00
214522	5,000U 44 – Farm Bar Kit, 44 in with 380, 5,000 capacity, square pads	140 lb	\$3,600.00
214523	5,000U 48 – Farm Bar Kit, 48 in with 380, 5,000 capacity, square pads	146 lb	\$3,600.00
<b>10,000 lb Capacity</b>			
214524	10,000U 32 – Farm Bar Kit, 32 in with 380, 10,000 capacity, square pads	152 lb	\$4,500.00
214525	10,000U 36 – Farm Bar Kit, 36 in with 380, 10,000 capacity, square pads	152 lb	\$4,500.00
214526	10,000U 48 – Farm Bar Kit, 48 in with 380, 10,000 capacity, square pads	175 lb	\$4,500.00
214527	10,000U 60 – Farm Bar Kit, 60 in with 380, 10,000 capacity, square pads	210 lb	\$4,500.00
214528	10,000U 72 – Farm Bar Kit, 72 in with 380, 10,000 capacity, square pads	230 lb	\$4,500.00

## Options/Accessories

Part #	Description	Price
159788	Extension cable, farm bar, 10 ft long	\$240.00
127556	Home run cable, 12 ft. long, 4-pin male to blunt end, for indicator	\$115.00
202711	380 indicator	\$635.00e
206433	Power supply, 12V 6W	\$52.00
23113	Printer TM-U295	\$650.00
71630	Scale tickets, 500/pack	\$60.00
15547	Blunt end to DB25, RS-232 cable for printer to indicator	\$70.00

# Farm Bars

Without Instrumentation



## Standard Features

- 3 ft ArmorGuard cable included
- Capacities from 2,500 to 10,000 lb

## Specifications

**Safe Overload:**

150%

**Full Scale Output:**

3mv/V nominal

Output is standardized for each model of load bar, consult factory for details

**Maximum Excitation:**

15 VDC

**Nonlinearity:**

0.02% full scale

**Hysteresis:**

0.02% full scale

**Bridge Resistance:**

350 ohm

**Temperature Range:**

-40 °F to 111 °F (-40 °C to 44 °C)

**Cable Configuration:**

8 ft between bars and 12 ft for the indicator

**Warranty:**

Two-year limited

## Part Number/Price

Part #	Description	Est. Weight	Price
<b>2,500 lb Capacity</b>			
152016	2,500 lb 22 – Farm Bar set, with square pads	92 lb	\$2,900.00
<b>5,000 lb Capacity</b>			
152018	5,000 lb 26 – Farm Bar set, with square pads	111 lb	\$3,300.00
152019	5,000 lb 33 – Farm Bar set, with square pads	117 lb	\$3,300.00
152020	5,000 lb 36 – Farm Bar set, with square pads	122 lb	\$3,300.00
152021	5,000 lb 40 – Farm Bar set, with square pads	128 lb	\$3,300.00
152022	5,000 lb 44 – Farm Bar set, with square pads	134 lb	\$3,300.00
152023	5,000 lb 48 – Farm Bar set, with square pads	140 lb	\$3,300.00
<b>10,000 lb Capacity</b>			
185437	10,000 lb 32 – Farm Bar set, with square pads	146 lb	\$4,100.00
152024	10,000 lb 36 – Farm Bar set, with square pads	146 lb	\$4,100.00
152025	10,000 lb 48 – Farm Bar set, with square pads	169 lb	\$4,100.00
152026	10,000 lb 60 – Farm Bar set, with square pads	204 lb	\$4,100.00
152027	10,000 lb 72 – Farm Bar set, with square pads	224 lb	\$4,100.00

## Options/Accessories

Part #	Description	Price
159788	Extension cable, farm bar, 10 ft long	\$240.00
127556	Home run cable, 12 ft. long, 4-pin male to blunt end, for indicator	\$115.00
202711	380 indicator	\$635.00
23113	Printer TM-U295	\$650.00
71630	Scale tickets, 500/pack	\$60.00
15547	Blunt end to DB25, RS-232 cable for printer to indicator	\$70.00

# Farm Bars

## Dimensions

### Dimensions

Farm Bar 2,500U				
A	B*	C	D*	E
22.00 in	15.00 in	19.75 in	25.75 in	4.00 in

Farm Bar 5,000U				
A	B*	C	D*	E
26.00 in	19.00 in	23.75 in	29.75 in	4.00 in
33.00 in	26.00 in	30.75 in	36.75 in	4.00 in
36.00 in	29.00 in	33.75 in	39.75 in	4.00 in
40.00 in	33.00 in	37.75 in	43.75 in	4.00 in
44.00 in	37.00 in	41.75 in	47.75 in	4.00 in
48.00 in	41.00 in	45.75 in	51.75 in	4.00 in

Farm Bar 10,000U				
A	B*	C	D*	E
32.00 in	25.00 in	29.75 in	35.75 in	4.00 in
36.00 in	29.00 in	33.75 in	39.75 in	4.00 in
48.00 in	41.00 in	45.75 in	51.75 in	4.00 in
60.00 in	53.00 in	57.75 in	63.75 in	4.00 in
72.00 in	65.00 in	69.75 in	75.75 in	4.00 in

\* B equals dimension A less 7 inches  
\* D equals dimension C plus 6 inches

