

# LaserLight2™ Remote Display

## Pole Mount Kit Installation

This document contains drawings, replacement parts lists, and instructions for installing the optional pole mount for the 4" and 6" LaserLight2 Remote Displays. See the LaserLight2 Technical Manual (PN 175775) for general installation and configuration and calibration information.



Manuals and additional resources are available from the Rice Lake Weighing Systems website at [www.ricelake.com](http://www.ricelake.com)

Warranty information can be found on the website at [www.ricelake.com/warranties](http://www.ricelake.com/warranties)



**The LaserLight2 has no on/off switch. Before working with the unit, ensure the power cord is disconnected from the power outlet.**

The LaserLight2 Remote Display can be easily mounted to a pole or steel I-beam using the optional pole mounting weldment and clinching brackets. The pole mounting kit can accommodate either the 4" or the 6" LaserLight2.

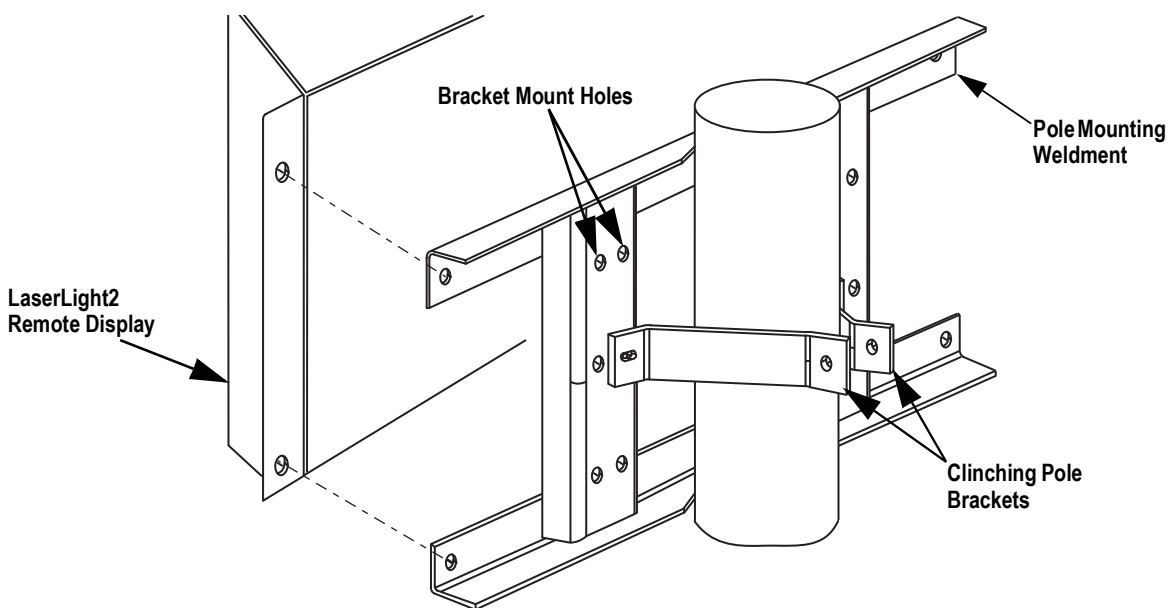


Figure 1. Optional Pole Mount Kit



**The 4" models are attached to the pole mounting weldment at the center holes using two clinching pole brackets.**

**The 6" models use four clinching pole brackets and are connected using the top and bottom hole alignments.**



**The pole mounting weldment has two sets of mount holes. The two sets of bracket mount holes are for alternate diameter poles. The inner mount holes are used for smaller diameter poles while the outer mount holes are used for larger diameter poles.**

## Installation

1. Attach the clinching pole brackets to the pole mounting weldment using the 3/8"-16NC x 1" cap screws, washers and lock nuts supplied. See the information above for clinching pole bracket placement.
2. Attach the clinching pole brackets together using the 3/8"-16NC x 2-3/4" bolt, washers and lock nut supplied. Tighten as necessary.
3. Repeat [Step 1](#)–[Step 2](#) for second set of clinching pole brackets if installing for a 6" model.
4. Align the back of the LaserLight2 Remote Display to the holes in the pole mount weldment. Secure with 5/16"-18NC x 1/2" bolts, washers and nuts.

## Replacement Parts

Table 1 lists the replacement parts for the pole mount options for the LaserLight2 4" Remote Display (PN 75856) and the LaserLight2 6" Remote Display (PN 77775).

Part No.	Description	Model	
		4" Qty.	6" Qty.
77000	4" Pole Mounting Weldment	1	–
76998	6" Pole Mounting Weldment	–	1
14646	Nut, Lock 5/16-18NC	4	4
14747	Bolt, 3/8-16NC x 2-3/4	1	2
14735	Bolt, 5/16-18NC x 1/2	4	4
15019	Cap Screws, 3/8-16NC x 1	2	4
21939	Washers 5/16 Type A	8	8
21938	Washers 3/8 Type A	4	8
22072	Lock Nuts, 3/8-16NC	3	6
76999	Clinching Pole Bracket	2	4
77001	Machine Screws 3/8-16NC x 6	3	6

Table 1. Replacement Parts



© Rice Lake Weighing Systems Specifications subject to change without notice.  
Rice Lake Weighing Systems is an ISO 9001 registered company.

230 W. Coleman St. • Rice Lake, WI 54868 • USA  
U.S. 800-472-6703 • Canada/Mexico 800-321-6703 • International 715-234-9171 • Europe +31 (0)26 472 1319