

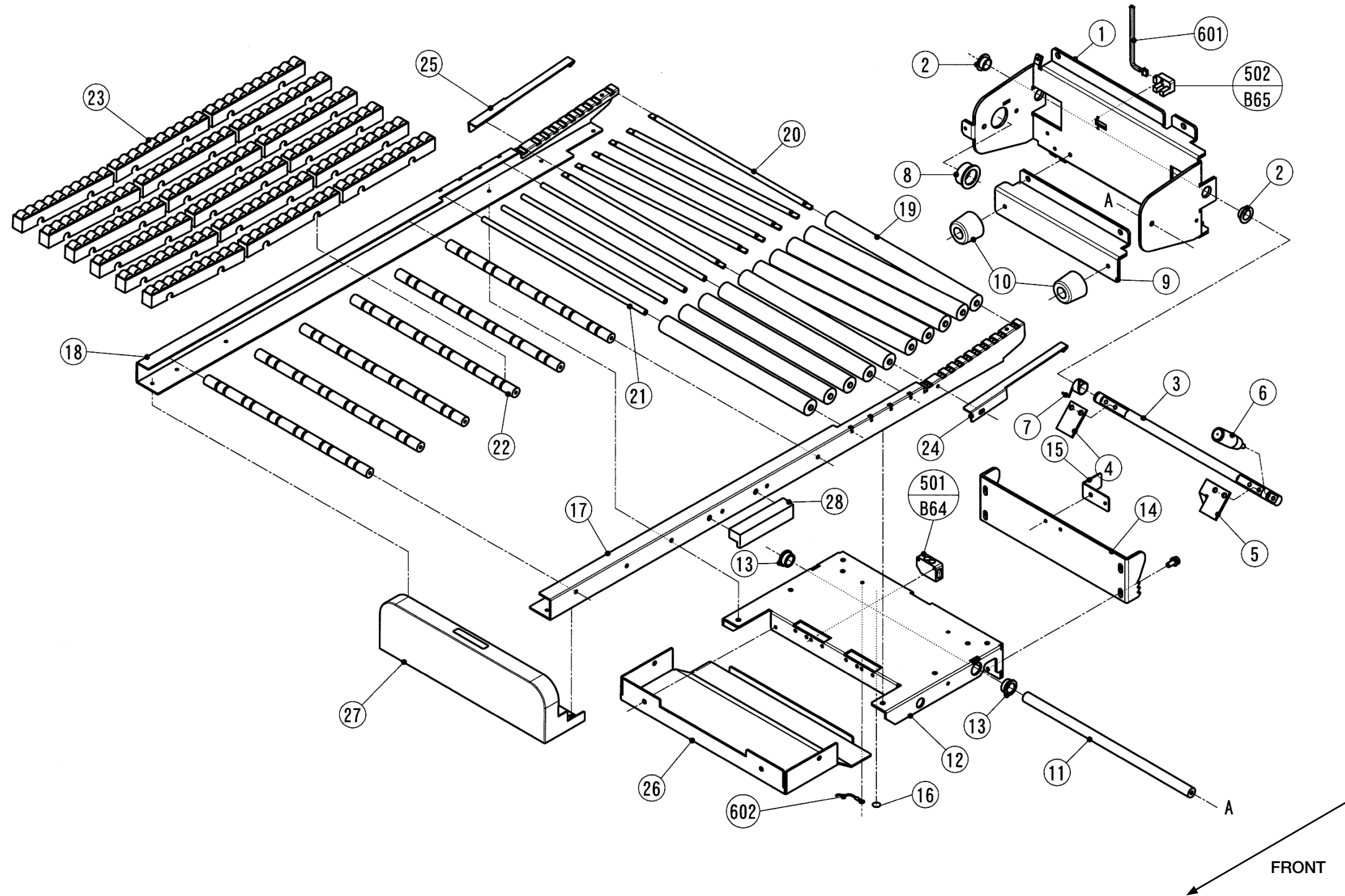
# Stock Conveyor Unit

## Part Number/Price

REF #	PART #	DESCRIPTION	QTY	SYNONYM	PRICE
1	<b>208021</b>	Bracket, stock conveyor	1	000-138-2053-31	Consult
2	<b>208022</b>	Bush	2	000-028-1529-03	Consult
3	<b>Consult</b>	Shaft, stopper	1	000-113-7408-35	Consult
4	<b>206676</b>	Stopper, A	1	000-113-7319-08	Consult
5	<b>206677</b>	Stopper	1	000-138-2055-01	Consult
6	<b>185008</b>	Grip handle	1	100-000-5817-00	Consult
7	<b>206678</b>	Spring, coil	1	000-113-7320-11	Consult
8	<b>Consult</b>	Accessory, bush, one touch	1	000-001-9353-05	Consult
9	<b>Consult</b>	Stay, stopper, stock	1	000-148-4279-05	Consult
10	<b>Consult</b>	Rubber pad	2	000-043-2417-05	Consult
11	<b>196973</b>	Shaft, fulcrum	1	000-138-5687-06	Consult
12	<b>208169</b>	Frame, fulcrum	1	000-138-2052-38	Consult
13	<b>196974</b>	Bushing, fulcrum frame	2	000-014-9809-07	Consult
14	<b>Consult</b>	Stopper	1	000-138-2054-08	Consult
15	<b>Consult</b>	Detecting plate	1	000-113-7411-35	Consult
16	<b>Consult</b>	Name plate	1	000-097-8992-16	Consult
17	<b>202462</b>	Frame, conveyor	1	000-138-2056-23	Consult
18	<b>Consult</b>	Frame, conveyor	1	000-138-2067-24	Consult
19	<b>187408</b>	Roller, textured	10	000-037-7887-10	Consult
20	<b>187409</b>	Shaft	6	000-138-5664-01	Consult
21	<b>187410</b>	Shaft, fixed	4	000-138-5685-09	Consult
—	<b>184890</b>	Screw, M3x5 mm	8	000-004-9689-08	Consult
22	<b>187411</b>	Shaft, stay	6	000-138-5689-03	Consult
23	<b>176680</b>	Roller, mini roller	18	000-056-4051-04	Consult
24	<b>202464</b>	Cover, roller, stock	1	000-147-3477-14	Consult
25	<b>Consult</b>	Cover, roller, stock	1	000-147-3478-18	Consult
26	<b>Consult</b>	Cover, stock	1	000-138-2051-25	Consult
27	<b>192217</b>	Stopper, tray	1	000-113-7414-36	Consult
28	<b>Consult</b>	Lug	1	000-113-7418-03	Consult
501	<b>172638</b>	Sensor assy, conveyor full, B64	1	000-135-0221-04	Consult
502	<b>104239</b>	Photo interrupter, transmitter, conveyor up/down, white conn., B65	1	000-070-5204-14	Consult
601	<b>207014</b>	Harness, C3 sensor (X61 to B65, conn B64 [X64])	1	000-135-0142-31	Consult
602	<b>Consult</b>	Harness, S2 ground	1	000-138-2231-01	Consult
ASSY	<b>202461</b>	Stock conveyor, assembly, complete		000-150-3234-05	Consult

# Ishida WM-Ai

Stock Conveyor Unit



B64 - Conveyor full  
 B65 - Conveyor up/down position