

# Checkweighers

---

## TABLE OF CONTENTS

<b>IQ Plus® 2100</b> .....	<b>310</b>
<i>Digital Bench Scale</i>	
<b>IQ Plus® 2100SL</b> .....	<b>312</b>
<i>Digital Bench Scale</i>	
<b>CW-90</b> .....	<b>314</b>
<i>Over/Under Checkweigher</i>	
<b>CW-90X</b> .....	<b>316</b>
<i>Over/Under Washdown Checkweigher</i>	

*Product names, logos, brands and other trademarks featured or referred to within this publication are the property of their respective trademark holders.*

# IQ Plus® 2100

Digital Bench Scale



*IQ plus 2100 with attachment bracket*



*IQ plus 2100 with column*



*IQ plus 2100 with tilt stand*

## Standard Features

- NEMA Type 4X/IP66
- 304 stainless steel construction
- Large, bold 0.8 in LED display
- Status annunciators: lb, kg, oz, g, negative, motion, center of zero
- One full-duplex RS-232 port
- Two digital inputs for remote zero, print and units
- 12 in column, attachment bracket or tilt stand for table, wall or under counter mounting
- Aluminum, single-point load cell
- Overload and upload stops on scale base
- Stainless steel, non-tactile feel, piezo zero and units buttons
- Unit of measure: kg, gm, lb, oz, lb/oz (lb/oz is not Legal for Trade)
- PreVent™ breather vent
- Factory calibrated

## Specifications

### Power:

**Line Voltage**  
115 VAC

### Frequency:

50/60 Hz

### Power Consumption:

70 mA at 115 VAC (8 W)

### Display Resolution:

10,000 graduations maximum

### Digital Inputs:

Two inputs, TTL or switch closure, active-low

### Scale Frame:

AISI304L, straight line finish, Ra= 45 +/- 10

### Scale Cover:

AISI304L, straight line finish, Ra= 45 +/- 10

### Serial Communications:

Full-duplex RS-232; 9600, 4800, 2400, 1200 bps; seven or eight data bits; even, odd or no parity

### Display:

Six-digit light-emitting diode (LED) display  
Seven-segment, 0.8 in (20 mm) digits

### LED Annunciators:

Negative value, center of zero, motion, kg, g, lb, oz

### Keypad:

Two stainless steel piezo switches

### Operating Temperature:

14 °F to 104 °F (-10 °C to 40 °C)

### Rating/Material:

NEMA Type 4X/IP66, stainless steel

### Load Cell:

Aluminum, environmentally sealed

### Warranty:

Two-year limited

### Approvals:

#### Indicator:

NTEP CC 00-045 Class III/IIIL 10,000 d  
Measurement Canada AM-5374;  
cULus listed

#### Base:

NTEP CC 95-072, Class III 5,000 d

## Approvals

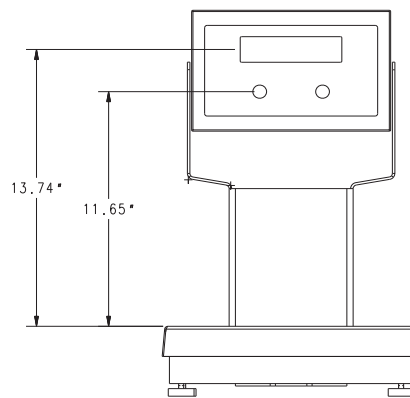
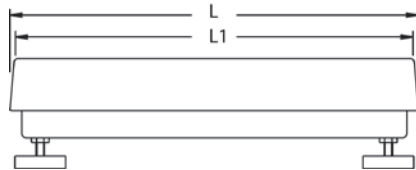


Measurement  
Canada  
Approved

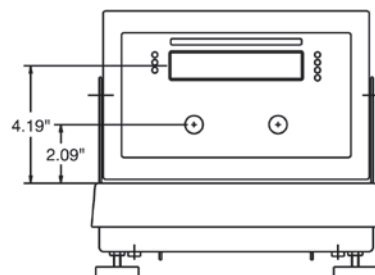
## Dimensions

Platform Dimensions	L	L1
10 × 10 in	10.25 in	10 in
12 × 12 in	12.25 in	12 in

Note: 1 in=25.4 mm



*With 12in column*



*With attachment bracket*

**Part Number/Price**

Part #	Capacity	Platform Size*	Est. Weight	Price
<b>IQ plus 2100 with tilt stand - 115 VAC</b>				
63053 <sup>†</sup>	5 lb × 0.001 lb (2.5 kg × 0.0005 kg) (2,500 g × 0.5 g) (80 oz × 0.02 oz)	10 × 10 in	23 lb	\$1,385.00
63052 <sup>†</sup>	10 lb × 0.002 lb (5 kg × 0.001 kg) (5,000 g × 1 g) (160 oz × 0.05 oz)	10 × 10 in	23 lb	\$1,385.00
63051 <sup>†</sup>	25 lb × 0.005 lb (10 kg × 0.002 kg) (10,000 g × 2 g) (400 oz × 0.10 oz)	10 × 10 in	23 lb	\$1,385.00
63050 <sup>†</sup>	50 lb × 0.01 lb (25 kg × 0.005 kg) (25,000 g × 5 g) (800 oz × 0.20 oz)	12 × 12 in	26 lb	\$1,475.00
63049 <sup>†</sup>	100 lb × 0.02 lb (50 kg × 0.01 kg) (50,000 g × 10 g) (1,600 oz × 0.50 oz)	12 × 12 in	26 lb	\$1,475.00
<b>IQ plus 2100 with attachment bracket - 115 VAC</b>				
63043 <sup>†</sup>	5 lb × 0.001 lb (2.5 kg × 0.0005 kg) (2,500 g × 0.5 g) (80 oz × 0.02 oz)	10 × 10 in	23 lb	\$1,385.00
63042 <sup>†</sup>	10 lb × 0.002 lb (5 kg × 0.001 kg) (5,000 g × 1 g) (160 oz × 0.05 oz)	10 × 10 in	23 lb	\$1,385.00
63041 <sup>†</sup>	25 lb × 0.005 lb (10 kg × 0.002 kg) (10,000 g × 2 g) (400 oz × 0.10 oz)	10 × 10 in	23 lb	\$1,385.00
63040 <sup>†</sup>	50 lb × 0.01 lb (25 kg × 0.005 kg) (25,000 g × 5 g) (800 oz × 0.20 oz)	12 × 12 in	26 lb	\$1,475.00
63039 <sup>†</sup>	100 lb × 0.02 lb (50 kg × 0.01 kg) (50,000 g × 10 g) (1,600 oz × 0.50 oz)	12 × 12 in	26 lb	\$1,475.00
<b>IQ plus 2100 with 12 in column - 115 VAC</b>				
63048 <sup>†</sup>	5 lb × 0.001 lb (2.5 kg × 0.0005 kg) (2,500 g × 0.5 g) (80 oz × 0.02 oz)	10 × 10 in	25 lb	\$1,385.00
63047 <sup>†</sup>	10 lb × 0.002 lb (5 kg × 0.001 kg) (5,000 g × 1 g) (160 oz × 0.05 oz)	10 × 10 in	25 lb	\$1,385.00
63046 <sup>†</sup>	25 lb × 0.005 lb (10 kg × 0.002 kg) (10,000 g × 2 g) (400 oz × 0.10 oz)	10 × 10 in	25 lb	\$1,385.00
63045 <sup>†</sup>	50 lb × 0.01 lb (25 kg × 0.005 kg) (25,000 g × 5 g) (800 oz × 0.20 oz)	12 × 12 in	28 lb	\$1,475.00
63044 <sup>†</sup>	100 lb × 0.02 lb (50 kg × 0.01 kg) (50,000 g × 10 g) (1,600 oz × 0.50 oz)	12 × 12 in	28 lb	\$1,475.00



<sup>†</sup> NEMA 5-15 plug

**CHECKWEIGHERS**

# IQ Plus® 2100SL

Digital Bench Scale



*IQ plus 2100SL with attachment bracket*



*IQ plus 2100 with tilt stand*

*IQ plus 2100 with column*



## Standard Features

- NEMA Type 4X/IP66
- 304 stainless steel construction
- Large, bold 0.8-inch LED display
- Status annunciators: lb, kg, oz, g, negative, motion, center of zero
- One full-duplex RS-232 port
- Two digital inputs for remote zero, print and units
- 12-inch column, attachment bracket or tilt stand for table, wall or under counter mounting
- Aluminum, single-point load cell
- Overload and upload stops on scale base
- Stainless steel, non-tactile feel, piezo zero and units buttons
- Unit of measure: kg, gm, lb, oz, lb/oz (lb/oz is not Legal for Trade)
- PreVent™ breather vent
- Spring-loaded platform
- Factory calibrated

## Specifications

### Power:

**Line Voltage**  
115 VAC

**Frequency:**  
50/60 Hz

**Power Consumption:**  
70 mA at 115 VAC (8 W)

**Display Resolution:**  
10,000 graduations maximum

**Digital Inputs:**  
Two inputs, TTL or switch closure, active-low

**Scale Frame:**  
AISI304L, straight line finish, Ra= 45 +/- 10

**Scale Cover:**  
AISI304L, straight line finish, Ra= 45 +/- 10

**Serial Communications:**  
Full-duplex RS-232; 9600, 4800, 2400, 1200 bps; seven or eight data bits; even, odd or no parity

**Display:**  
Six-digit LED display  
Seven-segment, 0.8 in (20 mm) digits

**LED Annunciators:**  
Negative value, center of zero, motion, kg, g, lb, oz

**Keypad:**  
Two stainless steel piezo switches

**Operating Temperature:**  
14 °F to 104 °F (-10 °C to 40 °C)

**Rating/Material:**  
NEMA Type 4X/IP66, stainless steel

**Load Cell:**  
Aluminum, environmentally sealed

**Warranty:**  
Two-year limited

**Approvals:**  
**Indicator:**  
NTEP CC 00-045 Class III/IIIL 10,000 d  
Measurement Canada, AM-5374;  
UL and C-UL listed

**Base:**  
NTEP CC 95-072, Class III 5,000 d

## Approvals

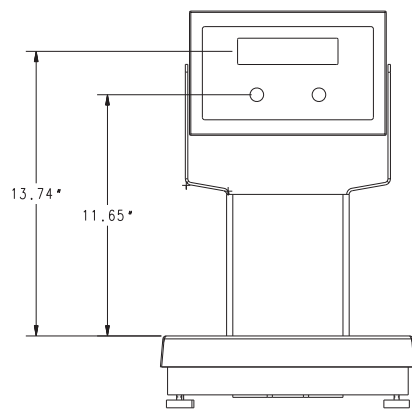


Measurement  
Canada  
Approved

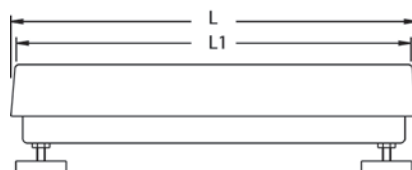
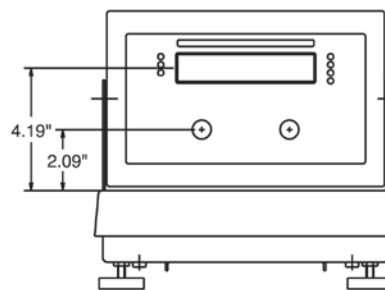
## Dimensions

Platform Dimensions	L	L1
10 × 10 in	10.25 in	10 in
12 × 12 in	12.25 in	12 in

Note: 1 in=25.4 mm



*With 12 in column*



## Part Number/Price

Part #	Capacity	Platform Size*	Est. Weight	Price
<b>IQ plus 2100SL with tilt stand - 115 VAC</b>				
65168 <sup>†</sup>	5 lb × 0.001 lb (2.5 kg × 0.0005 kg) (2,500 g × 0.5 g) (80 oz × 0.02 oz)	10 × 10 in	21 lb	\$1,435.00
65169 <sup>†</sup>	10 lb × 0.002 lb (5 kg × 0.001 kg) (5,000 g × 1 g) (160 oz × 0.05 oz)	10 × 10 in	21 lb	\$1,435.00
65170 <sup>†</sup>	20 lb × 0.005 lb (10 kg × 0.002 kg) (10,000 g × 2 g) (320 oz × 0.1 oz)	10 × 10 in	21 lb	\$1,435.00
65171 <sup>†</sup>	30 lb × 0.01 lb (15 kg × 0.005 kg) (15,000 g × 5 g) (480 oz × 0.1 oz)	10 × 10 in	21 lb	\$1,435.00
65172 <sup>†</sup>	30 lb × 0.01 lb (15 kg × 0.005 kg) (15,000 g × 5 g) (480 oz × 0.1 oz)	12 × 12 in	24 lb	\$1,525.00
65173 <sup>†</sup>	50 lb × 0.01 lb (25 kg × 0.005 kg) (25,000 g × 5 g) (800 oz × 0.20 oz)	12 × 12 in	24 lb	\$1,525.00
65174 <sup>†</sup>	100 lb × 0.02 lb (50 kg × 0.01 kg) (50,000 g × 10 g) (1,600 oz × 0.50 oz)	12 × 12 in	24 lb	\$1,525.00
<b>IQ plus 2100SL with attachment bracket - 115 VAC</b>				
65175 <sup>†</sup>	5 lb × 0.001 lb (2.5 kg × 0.0005 kg) (2,500 g × 0.5 g) (80 oz × 0.02 oz)	10 × 10 in	21 lb	\$1,435.00
65176 <sup>†</sup>	10 lb × 0.002 lb (5 kg × 0.001 kg) (5,000 g × 1 g) (160 oz × 0.05 oz)	10 × 10 in	21 lb	\$1,435.00
65177 <sup>†</sup>	20 lb × 0.005 lb (10 kg × 0.002 kg) (10,000 g × 2 g) (320 oz × 0.1 oz)	10 × 10 in	21 lb	\$1,435.00
65178 <sup>†</sup>	30 lb × 0.01 lb (15 kg × 0.005 kg) (15,000 g × 5 g) (480 oz × 0.1 oz)	10 × 10 in	21 lb	\$1,435.00
65179 <sup>†</sup>	30 lb × 0.01 lb (15 kg × 0.005 kg) (15,000 g × 5 g) (480 oz × 0.1 oz)	12 × 12 in	24 lb	\$1,525.00
65180 <sup>†</sup>	50 lb × 0.01 lb (25 kg × 0.005 kg) (25,000 g × 5 g) (800 oz × 0.20 oz)	12 × 12 in	24 lb	\$1,525.00
65181 <sup>†</sup>	100 lb × 0.02 lb (50 kg × 0.01 kg) (50,000 g × 10 g) (1,600 oz × 0.50 oz)	12 × 12 in	24 lb	\$1,525.00
<b>IQ plus 2100SL with 12 in column - 115 VAC</b>				
65182 <sup>†</sup>	5 lb × 0.001 lb (2.5 kg × 0.0005 kg) (2,500 g × 0.5 g) (80 oz × 0.02 oz)	10 × 10 in	23 lb	\$1,435.00
65183 <sup>†</sup>	10 lb × 0.002 lb (5 kg × 0.001 kg) (5,000 g × 1 g) (160 oz × 0.05 oz)	10 × 10 in	23 lb	\$1,435.00
65184 <sup>†</sup>	20 lb × 0.005 lb (10 kg × 0.002 kg) (10,000 g × 2 g) (320 oz × 0.1 oz)	10 × 10 in	23 lb	\$1,435.00
65185 <sup>†</sup>	30 lb × 0.01 lb (15 kg × 0.005 kg) (15,000 g × 5 g) (480 oz × 0.1 oz)	10 × 10 in	23 lb	\$1,435.00
65186 <sup>†</sup>	30 lb × 0.01 lb (15 kg × 0.005 kg) (15,000 g × 5 g) (480 oz × 0.1 oz)	12 × 12 in	26 lb	\$1,525.00
65187 <sup>†</sup>	50 lb × 0.01 lb (25 kg × 0.005 kg) (25,000 g × 5 g) (800 oz × 0.20 oz)	12 × 12 in	26 lb	\$1,525.00
65188 <sup>†</sup>	100 lb × 0.02 lb (50 kg × 0.01 kg) (50,000 g × 10 g) (1,600 oz × 0.50 oz)	12 × 12 in	26 lb	\$1,525.00



CHECKWEIGHERS

# CW-90

Over/Under Checkweigher



## Specifications

### Power AC:

**Line Voltages:**

115/230 VAC

**Frequency:**

50/60 Hz

### Power Consumption:

1.5 A at 115 VAC (8 W)

0.75 A at 230 VAC (8 W)

### Measurement Rate:

960, 480, 240, 120, 60, 30, 15, 7.5 per second

### System Linearity:

±0.01% full scale

### Digital I/O:

Four channels on CPU board

### Circuit Protection:

RFI, EMI, ESD protection

### Display:

Large 0.8 in, 14 segment, six digit high-intensity red LED display

### Scale Frame:

AISI304L, straight line finish, Ra= 45 +/- 10

### Scale Cover:

AISI304L, straight line finish, Ra= 45 +/- 10

### Annunciators:

Designators for %, kg, gm, lb, oz, center of zero, G/B, N, T, PT, neg, motion

### Operating Temperature:

Legal: 14 °F to 104 °F (-10 °C to 40 °C)

### Rating/Material:

IP66, stainless steel

### Resolution:

Display: 100,000

### Load Cell:

Aluminum, environmentally sealed

### Warranty:

Two-year limited

### Approvals:

#### Indicator:

NTEP 08-092, Class III/IIIL 10,000 d

Measurement Canada AM-5710, Class III 10,000 d

OIML R76/2006-GBI-10.02

TC11569

cULus listed

CE marked

#### Scale:

NTEP 95-072, Class III 5,000 d

Measurement Canada AM-5082

NSF

## Approvals



Measurement  
Canada  
Approved



EU  
LEGAL  
FOR TRADE  
CERTIFIED



CHECKWEIGHERS

## Standard Features

- Membrane keypad consisting of ZERO, UNITS, PRINT, TARE, OVER, UNDER, ID, TARGET, 0-9, CLEAR, DECIMAL, ENTER, MENU, POWER
- 304 stainless steel, IP66 rated indicator
- PreVent™ breather vent
- Storage for up to 50 IDs
- Unit of measure: kg, gm, lb, oz, lb/oz (lb/oz is not Legal for Trade)
- High-intensity LED display
- Battery backed time and date
- Two full-duplex RS-232 serial ports
- Configurable print formats
- Audit trail tracking
- Optional communications: Ethernet, USB or fiber -optic
- Four configurable Digital I/O
- Reflash memory to upgrade firmware
- Auto-print capability
- Accumulator
- Factory calibrated

### Scale

- Aluminum, environmentally sealed load cell
- 304 stainless steel
- Meets HACCP requirements
- Five-point overload protection

**Part Number/Price**

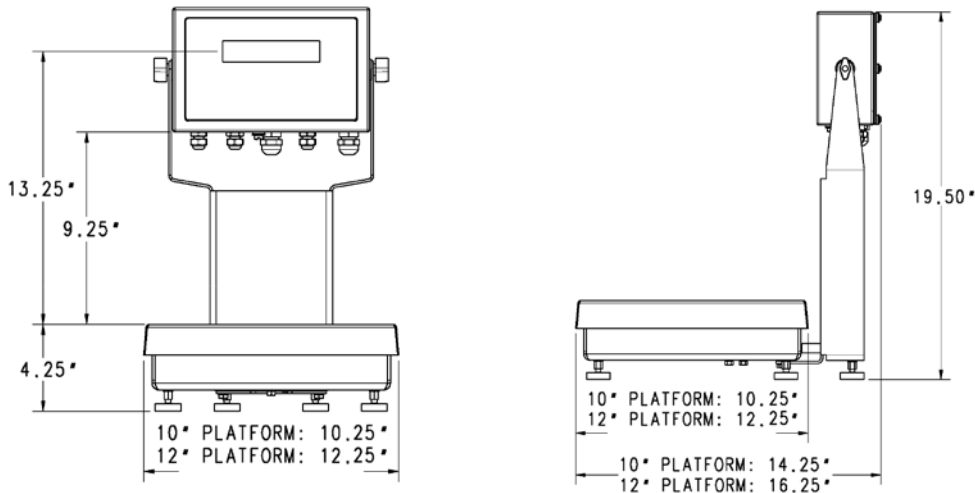
Part #	Capacity	Platform Dimensions	Column Height	Est. Weight	Price
<b>115 VAC</b>					
105957 <sup>†</sup>	5 lb × 0.001 lb (2.5 kg × 0.0005 kg) or (80 oz × 0.02 oz)	10 × 10 × 4.25 in	12 in	29 lb	\$1,615.00
105958 <sup>†</sup>	10 lb × 0.002 lb (5 kg × 0.001 kg) or (160 oz × 0.05 oz)	10 × 10 × 4.25 in	12 in	29 lb	\$1,615.00
105959 <sup>†</sup>	25 lb × 0.005 lb (10 kg × 0.002 kg) or (400 oz × 0.1 oz)	10 × 10 × 4.25 in	12 in	29 lb	\$1,615.00
105960 <sup>†</sup>	25 lb × 0.005 lb (10 kg × 0.002 kg) or (400 oz × 0.1 oz)	12 × 12 × 4.25 in	12 in	33 lb	\$1,675.00
105961 <sup>†</sup>	50 lb × 0.01 lb (25 kg × 0.005 kg) or (800 oz × 0.2 oz)	12 × 12 × 4.25 in	12 in	33 lb	\$1,675.00
105962 <sup>†</sup>	100 lb × 0.02 lb (50 kg × 0.01 kg) or (1,600 oz × 0.5 oz)	12 × 12 × 4.25 in	12 in	33 lb	\$1,675.00
<b>230 VAC</b>					
118891 <sup>†</sup>	2.5 kg × 0.0005 kg (5 lb × 0.001 lb) or (80 oz × 0.02 oz)	10 × 10 × 4.25 in	12 in	29 lb	\$1,615.00
118892 <sup>†</sup>	5 kg × 0.001 kg (10 lb × 0.002 lb) or (160 oz × 0.05 oz)	10 × 10 × 4.25 in	12 in	29 lb	\$1,615.00
118893 <sup>†</sup>	10 kg × 0.002 kg (25 lb × 0.005 lb) or (400 oz × 0.1 oz)	10 × 10 × 4.25 in	12 in	29 lb	\$1,615.00
118895 <sup>†</sup>	10 kg × 0.002 kg (25 lb × 0.005 lb) or (400 oz × 0.1 oz)	12 × 12 × 4.25 in	12 in	33 lb	\$1,675.00
118896 <sup>†</sup>	25 kg × 0.005 kg (50 lb × 0.01 lb) or (800 oz × 0.2 oz)	12 × 12 × 4.25 in	12 in	33 lb	\$1,675.00
118897 <sup>†</sup>	50 kg × 0.01 kg (100 lb × 0.02 lb) or (1,600 oz × 0.5 oz)	12 × 12 × 4.25 in	12 in	33 lb	\$1,675.00
<b>230 VAC CE marked/OIML approved</b>					
106123 <sup>††</sup>	3 kg × 0.001 kg	254 × 254 × 108 mm	305 mm	13.2 kg	\$1,615.00
106124 <sup>††</sup>	6 kg × 0.002 kg	254 × 254 × 108 mm	305 mm	13.2 kg	\$1,615.00
106125 <sup>††</sup>	15 kg × 0.005 kg	254 × 254 × 108 mm	305 mm	13.2 kg	\$1,615.00
106126 <sup>††</sup>	15 kg × 0.005 kg	305 × 305 × 108 mm	305 mm	15 kg	\$1,675.00
106127 <sup>††</sup>	30 kg × 0.01 kg	305 × 305 × 108 mm	305 mm	15 kg	\$1,675.00
106128 <sup>††</sup>	60 kg × 0.02 kg	305 × 305 × 108 mm	305 mm	15 kg	\$1,675.00



**Options/Accessories**

Part #	Description	Price
200578	Ethernet TCP/IP and cable with attached cord grip	\$440.00
77142	Ethernet TCP/IP card	\$420.00
206272	Wireless LAN card RS232/Wi-Fi 802.11 a/b	\$610.00
171968	Firmware download cable	\$39.00
96736	Fiber-optic board	\$250.00
78026	Fiber-optic, duplex cable 100 ft	\$175.00
80892	Fiber-optic cutter	\$12.00
117358	WeighVault™ (requires part number 200578, 77142 or 206272)	\$265.00

Note: 1 in=25.4 mm



**CHECKWEIGHERS**

# CW-90X

Over/Under Washdown Checkweigher



## Specifications

### Power AC:

**Line Voltages:**

115/230 VAC

**Frequency:**

50/60 Hz

### Power Consumption:

1.5 A at 115 VAC (8 W)

0.75 A at 230 VAC (8 W)

### Measurement Rate:

960,480, 240, 120, 60, 30, 15, 7.5 per second

### System Linearity:

±0.01% full scale

### Digital I/O:

Four channels on CPU board

### Circuit Protection:

RFI, EMI, ESD protection

### Display:

Large 0.8 in, 14 segment, six digit high-intensity red LED display

### Scale Frame:

AISI304L, straight line finish, Ra=45 +/- 10

### Scale Cover:

AISI304L, straight line finish, Ra=45 +/- 10

### Annunciators:

Designators for %, kg, gm, lb, oz, center of zero, G/B, N, T, PT, neg, motion

### Operating Temperature:

Legal: 14 °F to 104 °F (-10 °C to 40 °C)

### Rating/Material:

IP69K, stainless steel

### Resolution:

Display: 100,000

### Load Cell:

Stainless steel, hermetically sealed

### Warranty:

Three-year limited

### Approvals:

#### Indicator:

NTEP CC 08-092, Class III/IIIL 10,000 d

Measurement Canada AM-5710, Class III 10,000 d

OIML R76/2006-GBI-10.02

TC11569

cULus Listed

CE Marked

#### Scale:

NTEP CC 95-072, Class III 5,000 d

Measurement Canada AM-5082

NSF

## Approvals



Measurement  
Canada  
Approved



EU  
LEGAL  
FOR TRADE  
CERTIFIED



## Standard Features

- Piezo keypad consisting of ZERO, UNITS, PRINT, TARE, OVER, UNDER, ID, TARGET, ENTER, MENU, POWER
- 304 stainless steel, IP69K rated indicator
- PreVent™ breather vent
- Storage for up to 50 IDs
- Unit of measure: kg, gm, lb, oz, lb/oz (lb/oz is not Legal for Trade)
- High-intensity LED display
- Battery backed time and date
- Two full-duplex RS-232 serial ports
- Configurable print formats
- Audit trail tracking
- Optional communications: Ethernet, USB or Fiber-optic
- Four configurable Digital I/O
- Reflash memory to upgrade firmware
- Auto print capability
- Accumulator
- Factory calibrated

### Scale Base

- IP69K, stainless steel, hermetically sealed load cell
- 304 stainless steel
- Meets HACCP requirements
- Five point overload protection



### Part Number/Price

Part #	Capacity	Platform Dimensions	Column Height	Est. Weight	Price
<b>115 VAC</b>					
105963†	5 lb × 0.001 lb (2.5 kg × 0.0005 kg) or (80 oz × 0.02 oz)	10 × 10 × 4.25 in	12 in	29lb	\$2,197.00
105965†	10 lb × 0.002 lb (5 kg × 0.001 kg) or (160 oz × 0.05 oz)	10 × 10 × 4.25 in	12 in	29lb	\$2,197.00
105966†	25 lb × 0.005 lb (10 kg × 0.002 kg) or (400 oz × 0.1 oz)	10 × 10 × 4.25 in	12 in	29lb	\$2,197.00
105967†	25 lb × 0.005 lb (10 kg × 0.002 kg) or (400 oz × 0.1 oz)	12 × 12 × 4.25 in	12 in	33lb	\$2,287.00
105968†	50 lb × 0.01 lb (25 kg × 0.005 kg) or (800 oz × 0.2 oz)	12 × 12 × 4.25 in	12 in	33lb	\$2,287.00
105969†	100 lb × 0.02 lb (50 kg × 0.01 kg) or (1,600 oz × 0.5 oz)	12 × 12 × 4.25 in	12 in	33lb	\$2,287.00
<b>230 VAC</b>					
118899†	2.5 kg × 0.0005 kg (5 lb × 0.001 lb) or (80 oz × 0.02 oz)	10 × 10 × 4.25 in	12 in	29lb	\$2,197.00
118900†	5 kg × 0.001 kg (10 lb × 0.002 lb) or (160 oz × 0.05 oz)	10 × 10 × 4.25 in	12 in	29lb	\$2,197.00
118901†	10 kg × 0.002 kg (25 lb × 0.005 lb) or (400 oz × 0.1 oz)	10 × 10 × 4.25 in	12 in	29lb	\$2,197.00
118902†	10 kg × 0.002 kg (25 lb × 0.005 lb) or (400 oz × 0.1 oz)	12 × 12 × 4.25 in	12 in	33lb	\$2,287.00
118903†	25 kg × 0.005 kg (50 lb × 0.01 lb) or (800 oz × 0.2 oz)	12 × 12 × 4.25 in	12 in	33lb	\$2,287.00
118904†	50 kg × 0.01 kg (100 lb × 0.02 lb) or (1,600 oz × 0.5 oz)	12 × 12 × 4.25 in	12 in	33lb	\$2,287.00
<b>230 VAC CE marked/OIML approved</b>					
106129††	3 kg × 0.001 kg	254 × 254 × 108 mm	305 mm	13.2 kg	\$2,197.00
106130††	6 kg × 0.002 kg	254 × 254 × 108 mm	305 mm	13.2 kg	\$2,197.00
106131††	15 kg × 0.005 kg	254 × 254 × 108 mm	305 mm	13.2 kg	\$2,197.00
106132††	15 kg × 0.005 kg	305 × 305 × 108 mm	305 mm	15 kg	\$2,287.00
106133††	30 kg × 0.01 kg	305 × 305 × 108 mm	305 mm	15 kg	\$2,287.00
106134††	60 kg × 0.02 kg	305 × 305 × 108 mm	305 mm	15 kg	\$2,287.00



### Options/Accessories

Part #	Description	Price
200578	Ethernet TCP/IP and cable with attached cord grip	\$440.00
77142	Ethernet TCP/IP card	\$420.00
206272	Wireless LAN card RS232/Wi-Fi 802.11 a/b	\$610.00
171968	Firmware download cable	\$39.00
96736	Fiber-optic board	\$250.00
78026	Fiber-optic, duplex cable 100 ft	\$175.00
80892	Fiber-optic cutter	\$12.00
117358	WeighVault™ (requires part number 200578, 77142 or 206272)	\$265.00

Note: 1 in=25.4 mm

