

# VPG SENSORTRONICS

## TABLE OF CONTENTS

### S-BEAMS

Page 311

#### 60001, ALLOY STEEL



Suitable for single- or multiple-cell tension load applications. Nickel plated, high-alloy steel construction. Complete with 20 ft of load cell cable and full environmental protection with stainless steel side plates. Capacities range from 25 lb to 20,000 lb. Capacities of 5,000 lb or higher have standardized output for multiple-cell installations.



Page 312

#### 60050, STAINLESS STEEL



Suitable for single- or multiple-cell applications. Complete with 20 ft of load cell cable and full environmental protection with stainless steel side plates. Stainless steel construction for added corrosion protection. Capacities range from 250 lb to 20,000 lb. Capacities of 5,000 lb or higher have standardized output for multiple-cell installations.



Page 313

#### 60063, STAINLESS STEEL



Welded-seal, stainless steel, s-beam load cell designed for compression and tension. Ideal for scale conversions and general-purpose weighing. NTEP Certified in capacities ranging from 500 lb to 5,000 lb. 10,000 lb is non-NTEP Certified.



### SINGLE-ENDED

Page 314

#### 65023A-5297, ALLOY STEEL



The VPG® SENSORTRONICS 65023 has been a staple in the Rice Lake Weighing Systems Load Cell Guide for years. This model is manufactured from high-alloy steel and is nickel-plated to provide protection from the elements. The latest version is the 65023-XX-5297, which is custom featured with matched outputs and 8.5 ft of load cell cable. This model was originally designed for Fairbanks® scales under part number 65023-XX-5164 and can now be purchased from Rice Lake Weighing Systems for replacement applications. Available in capacities of 1,000 lb, 2,500 lb and 5,000 lb.



Page 315

#### 65023A-5107-10, ALLOY STEEL



The 65023A-5107-10 is a replacement load cell for the previously offered 65023-5141 VPG® SENSORTRONICS cell. The 65023A-5107-10 is appropriate for a specific OEM manufacturer and is available through Rice Lake Weighing Systems to help streamline your parts orders. This model was previously specific to Pennsylvania Scale and features a standard 10 ft of load cell cable. Available in 1,000 lb and 2,500 lb capacities.



Page 316

#### 65023A-5507, ALLOY STEEL



The 65023A-XX-5507 is a low profile version of the 65023A-XX-5107 at just 0.75 in high. Available in 1,000 lb and 2,500 lb capacities.



Page 317

#### 65023A, ALLOY STEEL



Designed for low-profile floor scales. Environmentally protected with stainless steel side plates. Nickel-plated alloy steel with a threaded loading hole. Capacities from 250 lb to 20,000 lb.



# VPG Sensortronics

## SINGLE-ENDED BEAMS

Page 318

### 65023SS, STAINLESS STEEL



Designed for low-profile floor scales. Environmentally protected with stainless steel side plates. Stainless steel and a threaded hole for loading. Capacities range from 1,000 lb to 10,000 lb.



Page 319

### 65023S, STAINLESS STEEL



Designed for low-profile floor scales. Environmentally protected with stainless steel side plates. Stainless steel and a threaded hole for loading. Available in 250 lb, 500 lb, 15,000 lb and 20,000 lb capacities.



Page 320

### 65083, STAINLESS STEEL



This welded-seal precision load cell offers exceptional performance and reliability in hostile environment applications typical of food and chemical processing. Designed for single- or multiple-cell installations, the 65083 has a threaded load hole for easy adaptation of mounting hardware or leveling feet typical of floor scales. Capacities range from 1,000 lb to 10,000 lb. Complete with 20 ft of load cell cable.



Page 321

### 65083S, STAINLESS STEEL



This precision load cell offers exceptional performance and reliability in hostile environment applications typical of food and chemical processing. Designed for single- or multiple-cell installations, the 65083S is provided with a threaded load hole for easy adaptation of mounting hardware or leveling feet typical of floor scales. Capacities range from 1,000 lb to 10,000 lb. Complete with 20 ft of load cell cable.



Page 322

### 60040, ALLOY STEEL



Designed for low-profile, single- or multiple-cell weighing applications. Complete with 20 ft of load cell cable. Nickel plated, high-alloy steel construction, environmentally protected with a neoprene sleeve. Capacities range from 25 lb to 500 lb.



## SINGLE POINTS

Page 323

### 60048SS, STAINLESS STEEL



Load cell specifically designed for heavy-duty, off-center loads on a 20 in x 20 in platform. Stainless steel construction specially designed for washdown situations. Complete with 10 ft of load cell cable. 1,000 lb capacity load cell may be used with 30 in x 30 in platform. Capacities range from 50 lb to 1,000 lb.



Page 324

### 60051, STAINLESS STEEL



Designed as a replacement for the NCI® Mark III in hostile environments. Stainless steel, moisture-resistant single-point cell. Complete with 10 ft of load cell cable. 10 lb to 25 lb cells may be used with a base size of 8 in x 8 in; 50 lb to 200 lb cells, with a base size of 12 in x 12 in.



Page 325

### 60060, ALUMINUM



High-capacity, off-center load cell accurately weighs loads on a 30 in x 30 in platform. Aluminum clear anodized construction. Capacities range from 100 lb to 2,000 lb. Complete with 10 ft of load cell cable.



# VPG Sensortronics

## DOUBLE-ENDED BEAMS

Page 326

### 65016, ALLOY STEEL



Nickel plated and environmentally protected with stainless steel side plates. Designed for center loading compatibility with the RL1600 tank weighing assemblies. Capacities range from 1,000 lb to 75,000 lb. Complete with 25 ft of load cell cable.



Page 327

### 65016W, STAINLESS STEEL



Offered in stainless steel and with welded-seal. Designed for center loading compatibility with RL1600 tank weighing assemblies. Capacities range from 1,000 lb to 75,000 lb. Complete with 25 ft of load cell cable.



Page 328

### 65016WH, STAINLESS STEEL



Stainless steel, full hermetic version of the popular 65016 series of load cells. Capacities range from 1,000 to 25,000 lb. Complete with 25 ft of load cell cable.



Page 329

### 65058A, ALLOY STEEL



Nickel plated and environmentally protected with stainless steel side plates. Designed for center link loading and compatibility with the MVS or similar suspension systems up to 75,000 lb. NTEP Certified capacities range from 20,000 lb to 125,000 lb; non-NTEP Certified capacity of 10,000 lb. Complete with 35 ft of load cell cable.



Page 330

### 65058S, STAINLESS STEEL



The VPG® Sensortronics 65058S is a double-ended beam specifically designed for harsh environments, vehicle weighing applications. This stainless steel, welded-seal product is an ideal substitute for traditional alloy steel, nickel plated units where corrosive or washdown conditions exist. This model is compatible with both the MVS and TSA mounts, and is available in capacities ranging from 20,000 lb to 125,000 lb. Each unit is provided with a standard 35 ft of load cell cable.



Page 331

### 65061A, ALLOY STEEL



This unique double-ended beam has been a standard model in Fairbanks® truck scales for years. This NTEP Certified, zinc plated, alloy steel load cell (stainless, welded-seal in 50,000 lb is also available) is sealed with a potting compound that has been proven through the test of time in numerous applications. This unit is offered in capacities of 40,000 lb and 50,000 lb, and is affordably priced compared to other replacement load cell options in the marketplace. Each unit is provided with a standard 60 ft of copper over braid load cell cable.



Page 332

### 65040A, ALLOY STEEL



Nickel plated and environmentally protected with stainless steel side plates. Designed for center mounting and double link loading. Capacities range from 25,000 lb to 125,000 lb. Complete with 35 ft of load cell cable.



Page 333

### 65040S, STAINLESS STEEL



This model is an upgraded version of the VPG® Sensortronics 65040A, and is offered in stainless steel, with welded sealing. The center-supported, double-ended beam design is compatible with Unilink/Translink mounts. The full stainless, welded-seal upgrade makes this model ideal for applications where harsh chemicals and washdown conditions exist. This model is available in capacities ranging from 25,000 lb to 75,000 lb, and is provided with a standard 35 ft of load cell cable.



# VPG Sensortronics

## DOUBLE-ENDED BEAMS

Page 334

### 65040A-1127W, ALLOY STEEL



This center-loaded, double-link load cell is made of alloy steel with an epoxy paint finish. It is a replacement for the RL75223 or RTI 5223 load cell, and is NTEP Certified. It comes with 40 ft of cable, and is available in 50,000 lb, 65,000 lb and 100,000 lb capacities.



## ROCKER COLUMN

Page 335

### 65114, STAINLESS STEEL



The 65114 was specially designed to provide the superior protection of stainless steel and hermetic sealing for truck scale applications. This model is built to provide a high degree of accuracy, while protecting against the severe conditions that truck scale load cells often endure. The easy installation of "rocker column" type load cells also provides a distinct advantage over traditional market alternatives. Available in two different heights, this product can easily be adapted to existing applications.



**Interchangeable Products**

RICE LAKE WEIGHING SYSTEMS  
**RL20001I** .....page 131  
 VPG® CELTRON  
**STC**..... page 224

**Weigh Module Available**

RICE LAKE WEIGHING SYSTEMS  
**ITCM Isolated Tension Cell Mount**.....page 44

**Specifications**

**Full Scale Output:**  
3.0 mV/V

**Output Resistance:**  
349-355 ohms

**Input Resistance:**  
343-450 ohms

**Material/Finish:**  
High-alloy steel, nickel plated

**Temperature:**  
Compensated range  
14° F to 104° F (-10° C to 40° C)  
Operating range  
0° F to 150° F (-18° C to 65° C)

**Seal Type:**  
Environmentally sealed, IP67

**Safe Overload:**  
150% full scale

**Rated Excitation:**  
5- 10 V DC (15 V maximum)

**Combined Error:**  
0.03% full scale

**Insulation Resistance:**  
5,000 megohms

**Cable Length:**  
20 ft

**Cable Diameter:**  
0.200 in polyurethane jacket

**Cable Color Code:**  
Red +Excitation  
Black -Excitation  
Green +Signal  
White -Signal

**Warranty:**  
One-year limited warranty

**Approvals:**  
cFMus  
NTEP

**APPROVALS**



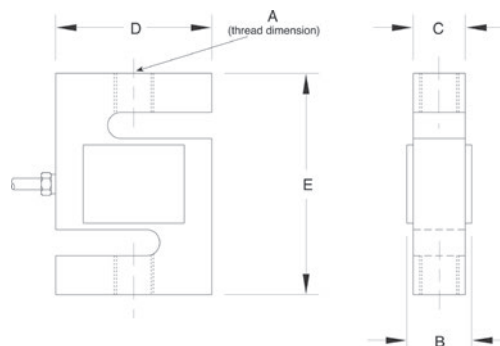
**Dimensions**

Picture is a representation of actual product

Rated Capacity lb/in	A	B	C	D	E
25-200	1/4-28 UNF	0.65	0.50	2.00	2.50
250-300	3/8-24 UNF	0.75	0.50	2.00	3.00
500-2,000	1/2-20 UNF	1.00	0.75	2.00	3.00
2,500-3,000	1/2-20 UNF	1.25	1.00	2.00	3.00
5,000	3/4-16 UNF	1.25	1.00	3.00	4.25
10,000	3/4-16 UNF	1.25	1.00	3.50	4.75
15,000	1-14 UNS	1.50	1.25	4.00	5.50
20,000	1 1/4-12 UNF	2.25	2.00	5.00	7.00

**Order Information**

Load Rating	Part #	Est. Weight	Price
25 lb	61116	2 lb	\$312.00
50 lb	61117	2 lb	\$312.00
100 lb	61118	2 lb	\$312.00
200 lb	61119	2 lb	\$312.00
250 lb	61120	2 lb	\$312.00
300 lb	61121	2 lb	\$312.00
500 lb	61122	2 lb	\$312.00
750 lb	61123	2 lb	\$312.00
1,000 lb	61124	2 lb	\$312.00
1,500 lb	61125	2 lb	\$312.00
2,000 lb	61126	2 lb	\$312.00
2,500 lb	61127	2 lb	\$355.00
3,000 lb	61128	2 lb	\$355.00
5,000 lb	61129	4 lb	\$503.00
10,000 lb	61130	5 lb	\$503.00
15,000 lb	61131	7 lb	\$609.00
20,000 lb	61132	18 lb	\$949.00



S-BEAM

# 60050

Stainless Steel, Environmentally Sealed, IP67



## APPROVALS



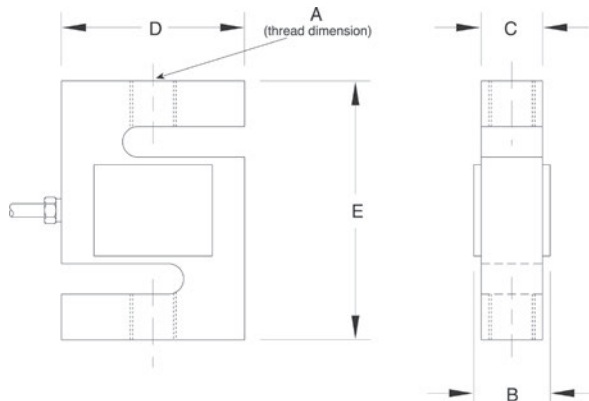
## Dimensions

Picture is a representation of actual product

Rated Capacity lb/in	A	B	C	D	E
250	3/8-24 UNF	0.75	0.50	2.00	3.00
500-1,500	1/2-20 UNF	1.00	0.75	2.00	3.00
2,000-3,000	1/2-20 UNF	1.25	1.00	2.00	3.00
5,000	3/4-16 UNF	1.25	1.00	3.00	4.25
10,000	3/4-16 UNF	1.25	1.00	3.50	4.75
15,000	1-14 UNS	1.50	1.25	4.00	5.50
20,000	1 1/4-12 UNF	2.00	1.94	5.00	7.00

## Order Information

Load Rating	Part #	Est. Weight	Price
250 lb	17077	2 lb	\$344.00
500 lb	17078	3 lb	\$344.00
750 lb	17079	3 lb	\$344.00
1,000 lb	17080	3 lb	\$344.00
1,500 lb	17081	3 lb	\$344.00
2,000 lb	17082	3 lb	\$387.00
2,500 lb	17083	3 lb	\$387.00
3,000 lb	17084	3 lb	\$387.00
5,000 lb	17085	4 lb	\$583.00
10,000 lb	17086	5 lb	\$583.00
15,000 lb	17087	8 lb	\$689.00
20,000 lb	17088	16 lb	\$1,033.00



## Interchangeable Products

VPG® CELTRON  
**STC SS**..... page 225

## Weigh Module Available

RICE LAKE WEIGHING SYSTEMS  
**ITCM Isolated Tension Cell Mount**.....page 44

## Specifications

**Full Scale Output:**  
 3.0 mV/V

**Output Resistance:**  
 349-355 ohms

**Input Resistance:**  
 343-450 ohms

**Material/Finish:**  
 Stainless steel

**Temperature:**  
 Operating range  
 0° F to 150° F (-18° C to 65° C)

**Seal Type:**  
 Environmentally sealed, IP67

**Safe Overload:**  
 150% full scale

**Rated Excitation:**  
 5- 10 V DC (15 V maximum)

**Nonlinearity:**  
 0.03% full scale

**Hysteresis:**  
 0.02% full scale

**Insulation Resistance:**  
 5,000 megohms

**Cable Length:**  
 20 ft

**Cable Diameter:**  
 0.200 in polyurethane jacket

**Cable Color Code:**  
 Red +Excitation  
 Black -Excitation  
 Green +Signal  
 White -Signal

**Warranty:**  
 One-year limited warranty

**Approvals:**  
 cFMus

**Interchangeable Products**

RICE LAKE WEIGHING SYSTEMS  
RL20001HE..... page 132

**Weigh Module Available**

RICE LAKE WEIGHING SYSTEMS  
ITCM Isolated Tension  
Cell Mount.....page 44

**Specifications**

**Full Scale Output:**  
2.0 mV/V

**Output Resistance:**  
349-355 ohms

**Input Resistance:**  
349-350 ohms

**Material/Finish:**  
Stainless steel

**Temperature:**  
Compensated range  
14° F to 104° F (-10° C to 40° C)  
Operating range  
0° F to 150° F (-18° C to 65° C)

**Seal Type:**  
Welded-seal, IP68

**Safe Overload:**  
150% full scale

**Rated Excitation:**  
5- 10 V DC (15 V maximum)

**Combined Error:**  
0.03% full scale

**Insulation Resistance:**  
5,000 megohms

**Cable Length:**  
20 ft

**Cable Diameter:**  
0.200 in polyurethane jacket

**Cable Color Code:**  
Red +Excitation  
Black -Excitation  
Green +Signal  
White -Signal

**Warranty:**  
One-year limited warranty

**Approvals:**  
cFMus  
NTEP

**APPROVALS**



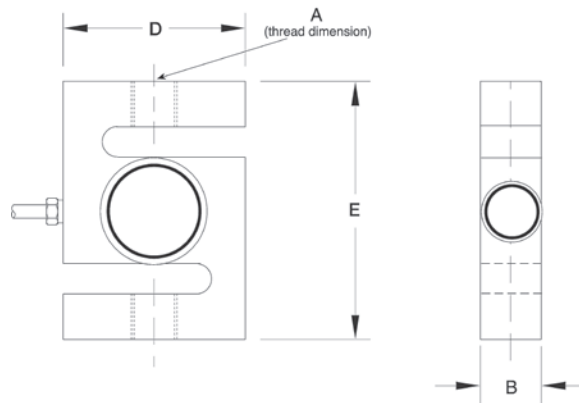
**Dimensions**

Picture is a representation of actual product

Rated Capacity	A	B	D	E
lb/in				
500-3,000	1/2-20 UNF	1.00	2.00	3.00
5,000-10,000	3/4-16 UNF	1.00	3.50	4.75

**Order Information**

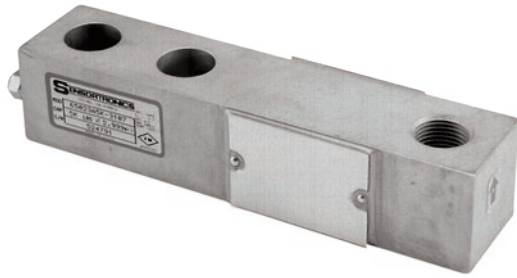
Load Rating	Part #	Est. Weight	Price
<b>NTEP Certified</b>			
500 lb	36272	3 lb	\$875.00
750 lb	36273	3 lb	\$875.00
1,000 lb	36274	3 lb	\$875.00
1,500 lb	36275	3 lb	\$875.00
2,000 lb	36276	3 lb	\$875.00
2,500 lb	36277	3 lb	\$875.00
3,000 lb	36278	3 lb	\$875.00
5,000 lb	36279	4 lb	\$1,160.00
<b>Non-NTEP Certified</b>			
10,000 lb	36280	4 lb	\$1,160.00



SINGLE-ENDED BEAM

# 65023A-5297

Alloy Steel, Environmentally Sealed, NTEP Certified 1:5,000 Class III Multiple Cell, IP67



## APPROVALS



## Interchangeable Products

FAIRBANKS®

65023A-XX-5164 .....—

## Specifications

**Full Scale Output:**

3.0 mV/V / Ohms calibration

**Output Resistance:**

349-355 ohms

**Input Resistance:**

343-357 ohms

**Material/Finish:**

High-alloy steel, nickel plated

**Temperature:**

Compensated range  
14° F to 104° F (-10° C to 40° C)  
Operating range  
0° F to 150° F (-18° C to 65° C)

**Seal Type:**

Environmentally sealed, IP67

**Safe Overload:**

150% full scale

**Safe Sideload:**

100% full scale

**Rated Excitation:**

5- 10 V DC (15 V maximum)

**Combined Error:**

0.02% full scale

**Insulation Resistance:**

5,000 megohms

**Deflection at Capacity:**

1,000 lb=0.013 in  
2,500-5,000 lb=0.015 in

**Cable Length:**

1,000-2,500 lb=8.5 ft  
5,000 lb=10 ft

**Cable Diameter:**

0.200 in polyurethane jacket

**Cable Color Code:**

Red +Excitation  
Black -Excitation  
Green +Signal  
White -Signal

**Warranty:**

One-year limited warranty

**Approvals:**

cFMus  
NTEP

## Dimensions

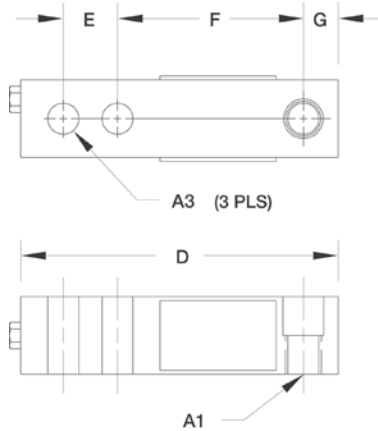
Picture is a representation of actual product

Rated Capacity	A1	A2	A3	B	C	D	E	F	G
1,000-2,500	1/2-20 UNF	0.62	0.53	1.25	1.25	5.12	1.00	3.00	0.50
5,000 LE	3/4-16 UNF	0.75	0.78	1.50	1.50	6.75	1.50	3.75	0.75

## Order Information

Load Rating	Part #	Est. Weight	Price
1,000 lb	68825	3 lb	\$312.00
2,500 lb	68824	3 lb	\$312.00
5,000 lb LE	156957	5 lb	\$398.00

LE=large envelope





# 65023A-5107-10

Alloy Steel, Environmentally Sealed, NTEP Certified 1:5,000 Class III Multiple Cell, IP67

## Interchangeable Products

PENNSYLVANIA®

65023A-XX-5141.....-

## Specifications

### Full Scale Output:

3.0 mV/V trimmed outputs

### Output Resistance:

349-355 ohms

### Input Resistance:

343-357 ohms

### Material/Finish:

High-alloy steel, nickel plated

### Temperature:

Compensated range  
14° F to 104° F (-10° C to 40° C)  
Operating range  
0° F to 150° F (-18° C to 65° C)

### Seal Type:

Environmentally sealed, IP67

### Safe Overload:

150% full scale

### Safe Sideload:

100% full scale

### Rated Excitation:

5- 10 V DC (15 V maximum)

### Combined Error:

0.02% full scale

### Insulation Resistance:

5,000 megohms

### Deflection at Capacity:

1,000 lb=0.013 in  
2,500 lb=0.015 in

### Cable Length:

10 ft

### Cable Diameter:

0.200 in polyurethane jacket

### Cable Color Code:

Red +Excitation  
Black -Excitation  
Green +Signal  
White -Signal

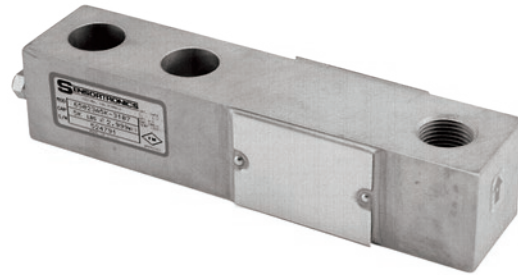
### Warranty:

One-year limited warranty

### Approvals:

cFMus  
NTEP

## APPROVALS



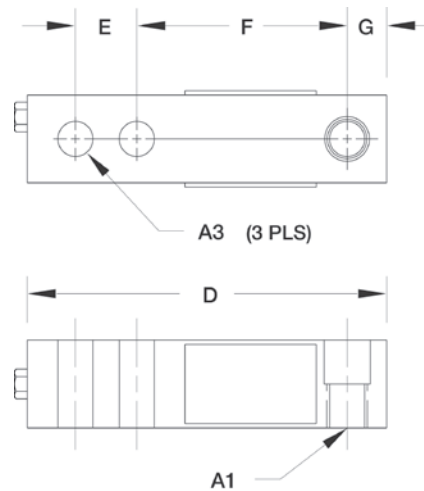
## Dimensions

Picture is a representation of actual product

Rated Capacity	A1	A2	A3	B	C	D	E	F	G
lb/in									
1,000-2,500	1/2-20 UNF	0.62	0.53	1.25	1.25	5.12	1.00	3.00	0.50

## Order Information

Load Rating	Part #	Est. Weight	Price
1,000 lb	68827	3 lb	\$312.00
2,500 lb	68826	3 lb	\$312.00



SINGLE-ENDED BEAM

# 65023A-5507

Alloy Steel, Environmentally Sealed, NTEP Certified 1:5,000 Class III Multiple Cell, IP67



## APPROVALS



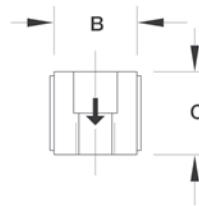
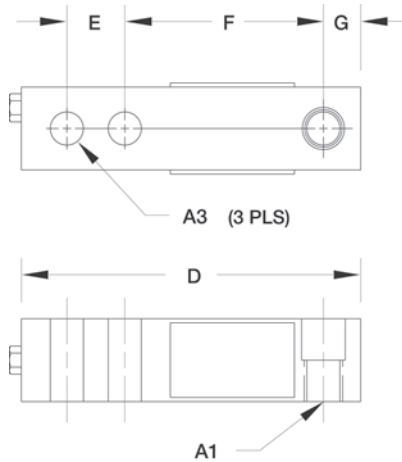
## Dimensions

Picture is a representation of actual product

Rated Capacity	A1	A3	B	C	D	E	F	G
1,000-2,500 lb/in	1/2-20 UNF	0.53	1.25	0.75	5.12	1.00	3.00	0.50

## Order Information

Load Rating	Part #	Est. Weight	Price
1,000 lb	107785	3 lb	\$312.00
2,500 lb	107786	3 lb	\$312.00



## Specifications

### Full Scale Output:

3.0 mV/V

### Output Resistance:

349-355 ohms

### Input Resistance:

343-357 ohms

### Material/Finish:

High-alloy steel, nickel plated

### Temperature:

Compensated range  
14° F to 104° F (-10° C to 40° C)  
Operating range  
0° F to 150° F (-18° C to 65° C)

### Seal Type:

Environmentally sealed, IP67

### Safe Overload:

150% full scale

### Safe Sideload:

100% full scale

### Rated Excitation:

5- 10 V DC (15 V DC max)

### Combined Error:

0.02% full scale

### Insulation Resistance:

5,000 megohms

### Deflection at Capacity:

1,000 lb=0.013 in  
2,500 lb=0.015 in

### Cable Length:

10 ft

### Cable Diameter:

0.200 in polyurethane jacket

### Cable Color Code:

Red +Excitation  
Black -Excitation  
Green +Signal  
White -Signal

### Warranty:

One-year limited warranty

### Approvals:

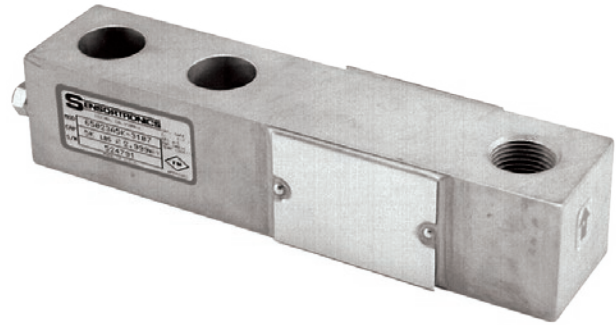
cFMus  
NTEP

**Interchangeable Products**

VPG® CELTRON  
**SQB**.....page 227

**Weigh Module Available**

RICE LAKE WEIGHING SYSTEMS  
**RL50210TA**..... page 50  
RICE LAKE WEIGHING SYSTEMS  
**RL1800 Series**..... page 62



**APPROVALS**



**Specifications**

**Full Scale Output:**  
3.0 mV/V

**Output Resistance:**  
349-355 ohms

**Input Resistance:**  
343-357 ohms

**Material/Finish:**  
High-alloy steel, nickel plated

**Temperature:**  
Compensated range:  
14° F to 104° F (-10° C to 40° C)  
Operating range:  
0° F to 150° F (-18° C to 65° C)

**Seal Type:**  
Environmentally sealed, IP67

**Safe Overload:**  
150% full scale

**Safe Sideload:**  
100% full scale

**Rated Excitation:**  
5- 10 V DC (15 V maximum)

**Nonlinearity:**  
0.03% full scale

**Hysteresis:**  
0.02% full scale

**Insulation Resistance:**  
5,000 megohms

**Deflection at Capacity:**  
250-1,500 lb=0.013 in  
1,000-5,000SE lb=0.017-0.025 in  
5,000LE-10,000 lb=0.025-0.035 in  
15,000-20,000 lb=0.048-0.063 in

**Cable Length:**  
20 ft

**Cable Diameter:**  
0.200 in polyurethane jacket

**Cable Color Code:**  
Red +Excitation  
Black -Excitation  
Green +Signal  
White -Signal

**Warranty:**  
One-year limited warranty

**Approvals:**  
cFMus  
NTEP

**Dimensions**

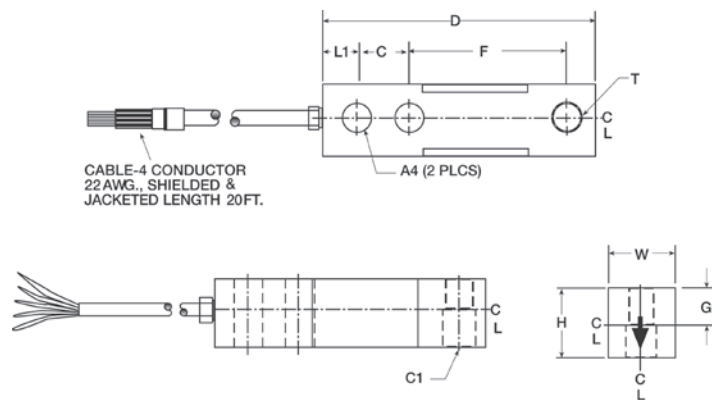
Picture is a representation of actual product

Rated Capacity	T	L1	C1	W	H	D	C	F	G
250-500	1/2-20 UNF	0.62	0.53	1.25	1.00	5.12	1.00	3.00	0.50
1,000-5,000 SE	1/2-20 UNF	0.62	0.53	1.25	1.25	5.12	1.00	3.00	0.62
5,000 LE -10,000	3/4-16 UNF	0.75	0.78	1.50	1.50	6.75	1.50	3.75	0.75
15,000-20,000	1-14 UNS	1.00	1.03	2.00	2.00	8.88	2.00	4.88	1.00

**Order Information**

Load Rating	Part #	Est. Weight	Price
<b>NTEP Certified</b>			
1,000 lb	<b>21507</b>	3 lb	\$312.00
1,500 lb	<b>69832</b>	3 lb	\$312.00
2,000 lb	<b>21508</b>	3 lb	\$312.00
2,500 lb	<b>21509</b>	3 lb	\$312.00
3,000 lb	<b>21510</b>	3 lb	\$312.00
4,000 lb	<b>21511</b>	3 lb	\$312.00
5,000 lb SE	<b>102884</b>	3 lb	\$312.00
5,000 lb LE	<b>21512</b>	5 lb	\$398.00
10,000 lb	<b>21513</b>	5 lb	\$398.00
<b>Non-NTEP Certified</b>			
250 lb	<b>176426</b>	3 lb	\$312.00
500 lb	<b>17125</b>	3 lb	\$312.00
15,000 lb	<b>17155</b>	9 lb	\$689.00
20,000 lb	<b>17159</b>	10 lb	\$689.00
<b>NTEP Certified 50 ft Cable</b>			
5,000 lb SE	<b>196716</b>	3 lb	\$360.00

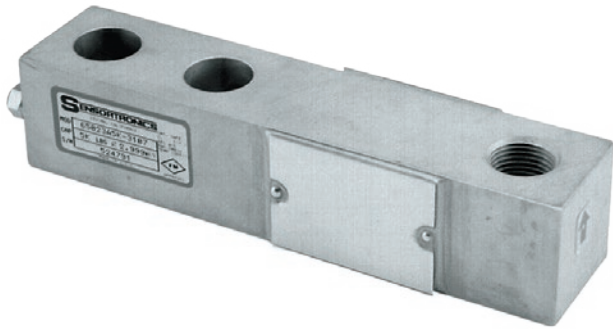
SE=small envelope; LE=large envelope



CABLE-4 CONDUCTOR  
22AWG., SHIELDED &  
JACKETED LENGTH 20FT.

# SINGLE-ENDED BEAM 65023SS

Stainless Steel, Environmentally Sealed, IP67



## APPROVALS



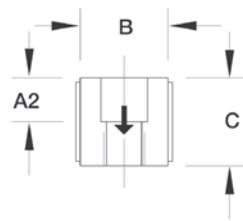
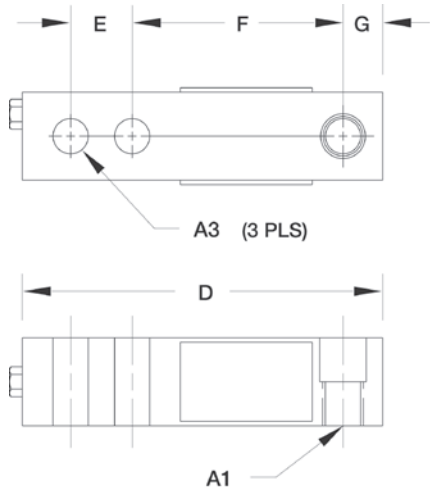
## Dimensions

Picture is a representation of actual product

Rated Capacity	A1	A2	A3	B	C	D	E	F	G
250-500 lb/in	1/2-20 UNF	0.50	0.53	1.25	1.00	5.12	1.00	3.00	0.50
15,000-20,000	1-14 UNS	1.00	1.03	2.00	2.00	8.88	2.00	4.88	1.00

## Order Information

Load Rating	Part #	Est. Weight	Price
250 lb	46499	3 lb	\$387.00
500 lb	17188	3 lb	\$387.00
15,000 lb	17156	9 lb	\$805.00
20,000 lb	17160	9 lb	\$805.00



## Weigh Module Available

RICE LAKE WEIGHING SYSTEMS  
**RL50210TA**..... page 50  
 RICE LAKE WEIGHING SYSTEMS  
**RL1800 Series**..... page 62

## Specifications

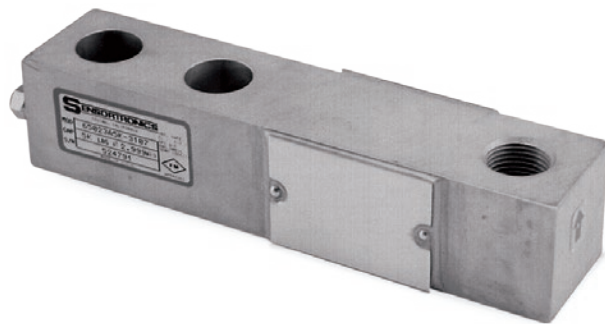
- Full Scale Output:**  
3.0 mV/V
- Output Resistance:**  
349-355 ohms
- Input Resistance:**  
343-357 ohms
- Material/Finish:**  
Stainless steel
- Temperature:**  
Operating range  
0° F to 150° F (-18° C to 65° C)
- Seal Type:**  
Environmentally sealed, IP67
- Safe Overload:**  
150% full scale
- Safe Sideload:**  
100% full scale
- Rated Excitation:**  
5- 10 V DC (15 V maximum)
- Nonlinearity:**  
0.03% full scale
- Hysteresis:**  
0.02% full scale
- Insulation Resistance:**  
5,000 megohms
- Deflection at Capacity:**  
250-500 lb=0.013 in  
15,000-20,000 lb=0.048-0.063 in
- Cable Length:**  
20 ft
- Cable Diameter:**  
0.200 in polyurethane jacket
- Cable Color Code:**  
Red +Excitation  
Black -Excitation  
Green +Signal  
White -Signal
- Warranty:**  
One-year limited warranty
- Approvals:**  
cFMus

### Interchangeable Products

VPG® SENSORTRONICS  
**65023SS** ..... page 318

### Weigh Module Available

RICE LAKE WEIGHING SYSTEMS  
**RL50210TA**..... page 50  
 RICE LAKE WEIGHING SYSTEMS  
**RL1800 Series** ..... page 62



### APPROVALS



### Specifications

**Full Scale Output:**

3.0 mV/V

**Output Resistance:**

349-355 ohms

**Input Resistance:**

343-357 ohms

**Material/Finish:**

Stainless steel

**Temperature:**

Compensated range  
 14° F to 104° F (-10° C to 40° C)  
 Operating range  
 0° F to 150° F (-18° C to 65° C)

**Seal Type:**

Environmentally sealed, IP67

**Safe Overload:**

150% full scale

**Rated Excitation:**

5- 10 V DC (15 V maximum)

**Combined Error:**

0.02% full scale

**Insulation Resistance:**

5,000 megohms

**Deflection at Capacity:**

500-1,000 lb=0.013 in  
 1,500-4,000 lb=0.017-0.025 in  
 5,000-10,000 lb=0.025-0.035 in  
 15,000-20,000 lb=0.048-0.063 in

**Cable Length:**

20 ft

**Cable Color Code:**

Red +Excitation  
 Black -Excitation  
 Green +Signal  
 White -Signal

**Warranty:**

One-year limited warranty

**Approvals:**

cFMus  
 NTEP

### Dimensions

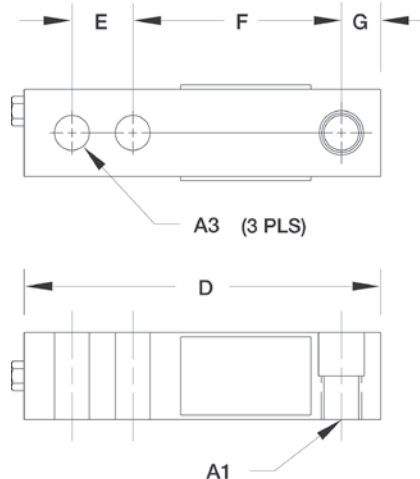
*Picture is a representation of actual product*

Rated Capacity	A1	A2	A3	B	C	D	E	F	G
lb/in									
1,000-4,000	1/2-20 UNF	0.62	0.53	1.00	1.25	5.12	1.00	3.00	0.50
5,000-10,000	3/4-16 UNF	0.75	0.78	1.50	1.50	6.75	1.50	3.75	0.75

### Order Information

Load Rating	Part #	Est. Weight	Price
<b>Threaded Hole</b>			
1,000 lb	<b>28925</b>	3 lb	\$365.00
2,000 lb	<b>28926</b>	3 lb	\$365.00
2,500 lb	<b>28927</b>	3 lb	\$365.00
2,500 lb*	<b>170030</b>	3 lb	\$365.00
4,000 lb	<b>28929</b>	3 lb	\$365.00
5,000 lb	<b>28930</b>	5 lb	\$455.00
10,000 lb	<b>28931</b>	5 lb	\$455.00

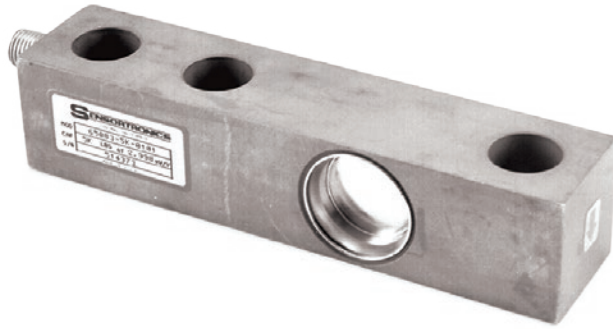
\*65023S 2,500lb- 5513, low-profile 0.75 inches tall



SINGLE-ENDED BEAM

# 65083

Stainless Steel, Welded Seal, IP67



## APPROVALS



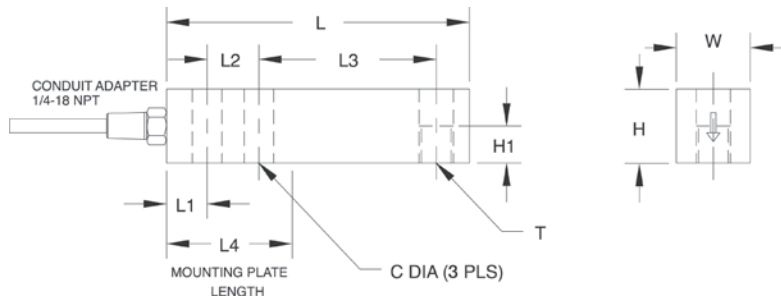
## Dimensions

Picture is a representation of actual product

Rated Capacity	C	H	H1	L	L1	L2	L3	L4	T	W
1,000-4,000	0.53	1.22	0.61	5.12	0.62	1.00	3.00	2.25	1/2-20 UNF	1.22
5,000-10,000	0.78	1.50	0.75	6.75	0.75	1.50	3.75	3.00	3/4-16 UNF	1.50

## Order Information

Load Rating	Part #	Est. Weight	Price
1,000 lb	17262	3 lb	\$439.00
2,500 lb	17263	3 lb	\$439.00
4,000 lb	17264	3 lb	\$439.00
5,000 lb	17265	5 lb	\$439.00
10,000 lb	17266	5 lb	\$439.00



## Interchangeable Products

VPG® CELTRON  
**SQB-HSS** ..... page 228

## Weigh Module Available

RICE LAKE WEIGHING SYSTEMS  
**RL50210TA** ..... page 50  
 RICE LAKE WEIGHING SYSTEMS  
**RL1800 Series** ..... page 62

## Specifications

### Full Scale Output:

3.0 mV/V

### Output Resistance:

349-355 ohms

### Input Resistance:

343-357 ohms

### Material/Finish:

Stainless steel

### Temperature:

Operating range  
 0° F to 150° F (-18° C to 65° C)

### Seal Type:

Welded-seal, IP67  
 (Conduit is recommended for maximum protection against the ingress of water and moisture through the cable entry)

### Safe Overload:

150% full scale

### Safe Sideload:

100% full scale

### Rated Excitation:

5- 10 V DC (15 V maximum)

### Combined Error:

0.03% full scale

### Non-Repeatability:

0.01% full scale

### Insulation Resistance:

5,000 megohms

### Deflection at Capacity:

1,000-4,000 lb=0.008-0.026 in  
 5,000-10,000 lb=0.030-0.055 in

### Cable Length:

20 ft

### Cable Diameter:

0.220 in PTFE jacket

### Conduit Adapter Size:

1/4-18 NPT

### Cable Color Code:

Red +Excitation  
 Black -Excitation  
 Green +Signal  
 White -Signal

### Warranty:

One-year limited warranty

### Approvals:

cFMus

Stainless Steel, Welded Seal, Hermetically Sealed, NTEP Certified 1:5,000 Class III Multiple Cell, IP67/IP69K

**Weigh Module Available**

RICE LAKE WEIGHING SYSTEMS  
**RL50210TA**..... page 50  
RICE LAKE WEIGHING SYSTEMS  
**RL1800 Series**..... page 62

**Specifications**

**Full Scale Output:**  
2.0 mV/V

**Output Resistance:**  
349-355 ohms

**Input Resistance:**  
343-357 ohms

**Material/Finish:**  
Stainless steel

**Temperature:**  
Compensated range  
14° F to 104° F (-10° C to 40° C)  
Operating range  
0° F to 150° F (-18° C to 65° C)

**Seal Type:**  
Welded-seal, IP67  
Hermetically sealed, IP69K

**Safe Overload:**  
150% full scale

**Safe Sideload:**  
100% full scale

**Rated Excitation:**  
5- 10 V DC (15 V maximum)

**Combined Error:**  
0.02% full scale

**Non-Repeatability:**  
0.01% full scale

**Insulation Resistance:**  
5,000 megohms

**Deflection at Capacity:**  
1,000-4,000 lb=0.012 in.  
5,000-10,000 lb=0.03 in.

**Cable Length:**  
20 ft

**Cable Diameter:**  
0.220 in PTFE jacket

**Conduit Adapter Size:**  
IP67 - 1/4-18 NPT  
IP69K - 1/2-14 NPT

**Cable Color Code:**  
Red +Excitation  
Black -Excitation  
Green +Signal  
White -Signal

**Warranty:**  
One-year limited warranty

**Approvals:**  
cFMus  
NTEP

**APPROVALS**



IP67 model



IP69K model

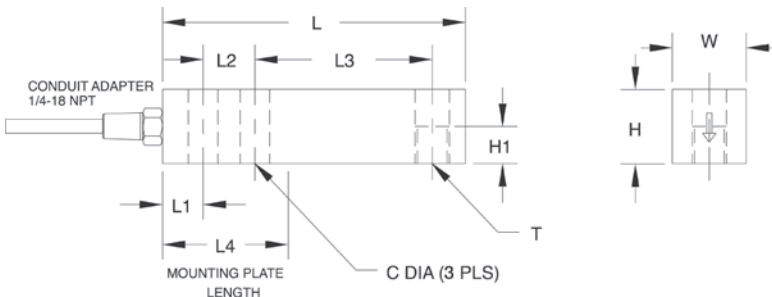
**Dimensions**

Picture is a representation of actual product

Rated Capacity	C	H	H1	L	L1	L2	L3	L4	T	W
1,000-4,000 lb/in	0.53	1.22	0.61	5.12	0.62	1.00	3.00	2.25	1/2-20 UNF	1.22
5,000-10,000	0.78	1.50	0.75	6.75	0.75	1.50	3.75	3.00	3/4-16 UNF	1.50

**Order Information**

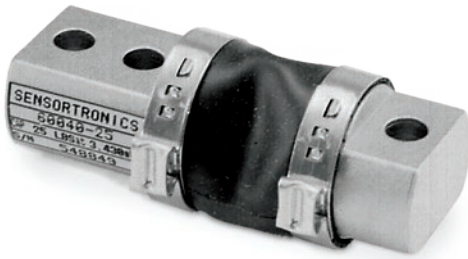
Load Rating	Part #	Est. Weight	Price
<b>Welded-seal IP67</b>			
1,000 lb	33552	3 lb	\$450.00
2,500 lb	33553	3 lb	\$450.00
4,000 lb	33554	3 lb	\$450.00
5,000 lb	33555	5 lb	\$503.00
10,000 lb	33556	5 lb	\$503.00
<b>Hermetically Sealed IP69K</b>			
1,000 lb	33734	3 lb	\$535.00
2,500 lb	33735	3 lb	\$535.00
4,000 lb	33736	16 lb	\$535.00



SINGLE-ENDED BEAM

# 60040

Alloy Steel, Environmentally Sealed, IP65



## APPROVALS



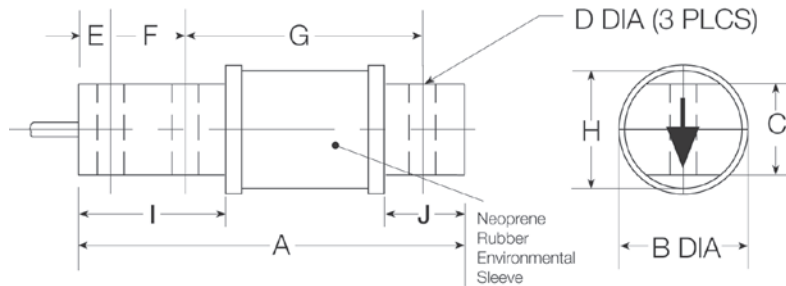
## Dimensions

Picture is a representation of actual product

Rated Capacity	A	B	C	D	E	F	G	H	I	J
lb/in										
25-500	2.81	1.30	0.62	0.26	0.25	0.50	1.81	1.00	1.00	0.50

## Order Information

Load Rating	Part #	Est. Weight	Price
25 lb	17369	2 lb	\$260.00
50 lb	17370	2 lb	\$260.00
75 lb	17371	2 lb	\$260.00
100 lb	17372	2 lb	\$260.00
150 lb	17373	2 lb	\$260.00
250 lb	17374	2 lb	\$260.00
500 lb	17375	2 lb	\$260.00



## Interchangeable Products

RICE LAKE WEIGHING SYSTEMS

**RL50210**..... page 154

VPG® REVERE®

**5503**..... —

ARTECH®

**50210**..... —

## Specifications

### Full Scale Output:

3.0 mV/V

### Output Resistance:

349-355 ohms

### Input Resistance:

380-450 ohms

### Material/Finish:

High-alloy steel, nickel plated

### Temperature:

Operating range  
0° F to 150° F (-18° C to 65° C)

### Seal Type:

Environmentally sealed with a neoprene sleeve,  
IP65

### Safe Overload:

150% full scale

### Rated Excitation:

5- 10 V DC (15 V maximum)

### Nonlinearity:

0.03% full scale

### Hysteresis:

0.02% full scale

### Insulation Resistance:

5,000 megohms

### Deflection at Capacity:

25-50 lb=0.008 in  
75-100 lb=0.010 in  
150 lb=0.012 in  
250 lb=0.016 in  
500 lb=0.025 in

### Cable Length:

20 ft

### Cable Diameter:

0.200 in polyurethane jacket

### Cable Color Code:

Red +Excitation  
Black -Excitation  
Green +Signal  
White -Signal

### Warranty:

One-year limited warranty

### Approvals:

cFMus



**Interchangeable Products**

NCI®/WEIGH-TRONIX®  
**Mark V**.....

**Specifications**

- Full Scale Output:**  
2.0 mV/V nominal
- Output Resistance:**  
349-355 ohms
- Input Resistance:**  
350-450 ohms
- Material/Finish:**  
Stainless steel
- Temperature:**  
Operating range  
0° F to 150° F (-18° C to 65° C)
- Seal Type:**  
Environmentally sealed, IP67
- Safe Overload:**  
150% full scale
- Rated Excitation:**  
5- 10 V DC (15 V maximum)

- Nonlinearity:**  
0.03% full scale
- Hysteresis:**  
0.02% full scale
- Insulation Resistance:**  
5,000 megohms
- Deflection at Capacity:**  
50-100 lb=0.013 in  
200 lb=0.015 in  
400-500 lb=0.023 in  
1,000=0.016 in
- Cable Length:**  
10 ft  
25 ft
- Cable Diameter:**  
0.200 in polyurethane jacket

- Cable Color Code:**  
Red +Excitation  
Black -Excitation  
Green +Signal  
White -Signal

**Warranty:**  
One-year limited warranty

**Approvals:**  
cFMus



**APPROVALS**



**Dimensions**

*Picture is a representation of actual product*

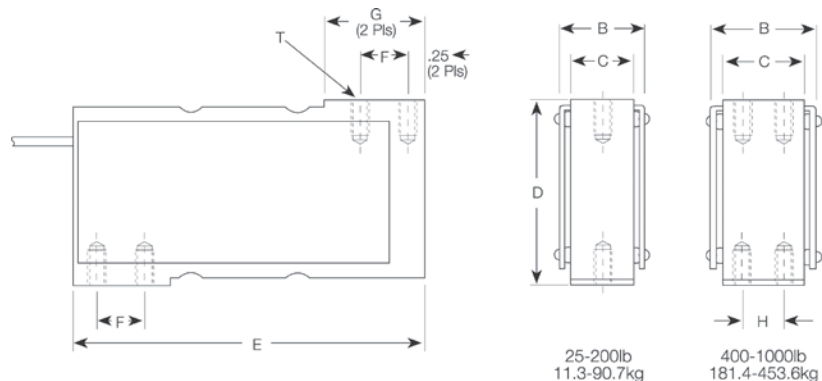
Rated Capacity	T	B	C	D	E	F	G	H
lb/in								
50-200	1/4-28 UNF × 0.75 DP	1.25	1.00	3.00	6.00	1.00	1.50	—
400-500	1/4-28 UNF × 0.75 DP	1.25	1.00	3.00	6.00	1.00	1.50	0.50
1,000	5/16-24 UNF × 0.75 DP	1.75	1.50	3.00	6.00	1.00	1.50	1.00

**Order Information**

Load Rating	Part #	Est. Weight	Price
<b>10 ft Cable</b>			
50 lb	<b>17421</b>	4 lb	\$630.00
100 lb	<b>17423</b>	4 lb	\$630.00
200 lb	<b>17425</b>	4 lb	\$630.00
400 lb	<b>17427</b>	5 lb	\$673.00
500 lb	<b>17429</b>	5 lb	\$689.00
1,000 lb	<b>17431</b>	6 lb	\$736.00
<b>25 ft Cable</b>			
1,000 lb	<b>17514</b>	7 lb	\$779.00
<b>Adapters</b>			
Adapter kit	400 lb & 500 lb	<b>25562</b>	— \$45.00
Single adapter	25 lb-200 lb	<b>17683</b>	— \$37.00

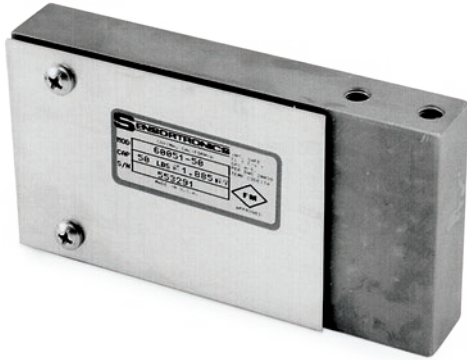
*PN25562 is needed to convert 400lb-500lb capacity cells to these bases*

*PN17683 is needed to use the VPG Sensortronics 60048 load cell in NCI model 3255 and 3256 bases, 50lb-200lb capacities*



# SINGLE POINT 60051

Stainless Steel, Environmentally Sealed, IP67



## APPROVALS



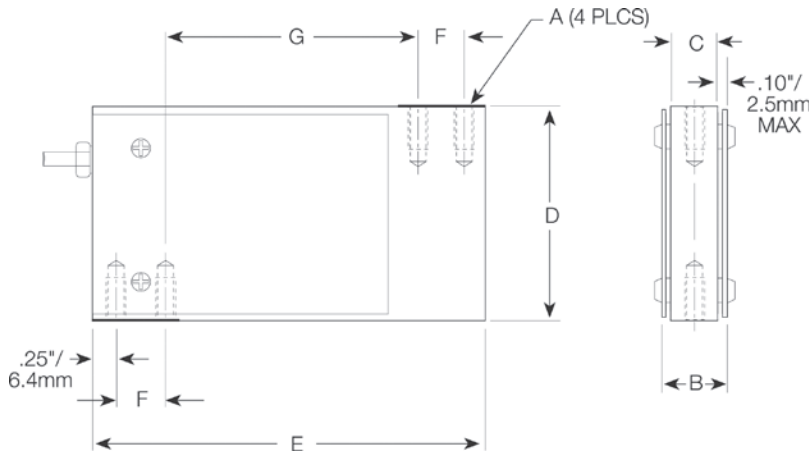
*Picture is a representation of actual product*

## Dimensions

Rated Capacity	A	B	C	D	E	F	G
10-25 lb/in	1/4-28 UNF	0.70	0.50	2.50	4.63	0.75	2.62
50-200	1/4-28 UNF	0.95	0.75	2.50	4.63	0.75	2.62

## Order Information

Load Rating	Part #	Est. Weight	Price
10 lb	17432	2 lb	\$450.00
15 lb	17433	2 lb	\$450.00
25 lb	17434	2 lb	\$450.00
50 lb	17435	3 lb	\$450.00
100 lb	17436	3 lb	\$450.00
200 lb	17437	3 lb	\$450.00



## Interchangeable Products

NCI® WEIGHTRONICS	
<b>Mark III</b> .....	—
NCI WEIGHTRONICS	
<b>Mark IX</b> .....	—

## Specifications

- Full Scale Output:**  
2.0 mV/V
- Output Resistance:**  
349-355 ohms
- Input Resistance:**  
380-450 ohms
- Material/Finish:**  
Stainless steel
- Temperature:**  
Operating range  
0° F to 150° F (-18° C to 65° C)
- Seal Type:**  
Environmentally sealed, IP67
- Safe Overload:**  
150% full scale
- Rated Excitation:**  
5- 10 V DC (15 V maximum)
- Nonlinearity:**  
0.03% full scale
- Hysteresis:**  
0.02% full scale
- Insulation Resistance:**  
5,000 megohms
- Deflection at Capacity:**  
1-15 lb=0.0014 in  
25-200 lb=0.0010 in
- Cable Length:**  
10 ft
- Cable Diameter:**  
0.200 in polyurethane jacket
- Cable Color Code:**  
Red +Excitation  
Black -Excitation  
Green +Signal  
White -Signal
- Warranty:**  
One-year limited warranty
- Approvals:**  
cFMus

## Specifications

**Full Scale Output:**  
2.0 mV/V

**Output Resistance:**  
349-355 ohms

**Input Resistance:**  
400 nominal Ohms

**Material/Finish:**  
Aluminum, clear anodized

**Temperature:**  
Compensated range  
14° F to 104° F (-10° C to 40° C)  
Operating range  
0° F to 150° F (-18° C to 65° C)

**Seal Type:**  
Environmentally sealed, IP67

**Safe Overload:**  
150% full scale

**Safe Sideload:**  
100% full scale

**Rated Excitation:**  
5- 10 V DC (15 V maximum)

**Max. Platform Size:**  
30 in × 30 in

**Combined Error:**  
0.02% full scale

**Insulation Resistance:**  
5,000 megohms

**Deflection at Capacity:**  
100-250 lb=0.010 in  
500-2,000 lb=0.006 in

**Cable Length:**  
10 ft

**Cable Diameter:**  
0.200 in polyurethane jacket

**Cable Color Code:**  
Red +Excitation  
Black -Excitation  
Green +Signal  
White -Signal

**Warranty:**  
One-year limited warranty

**Approvals:**  
cFMus  
NTEP

## APPROVALS



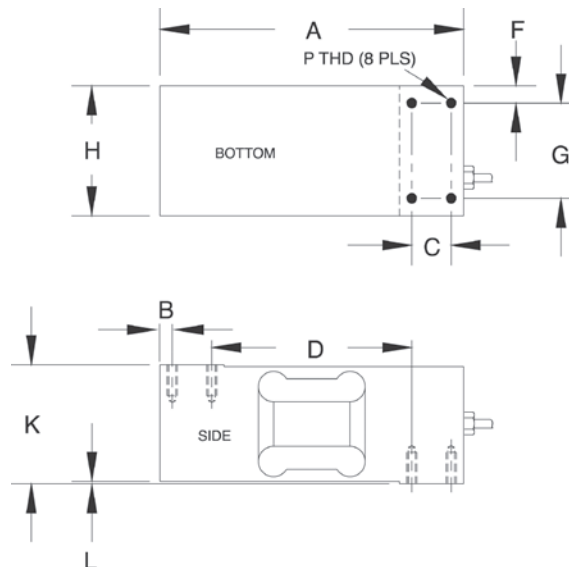
## Dimensions

Picture is a representation of actual product

Rated Capacity	A	B	C	D	F	G	H	K	L	P
100-2,000	7.50	0.31	0.98	4.92	0.30	2.36	2.95	2.95	0.06	5/16-18-UNC × 0.75 DP

## Order Information

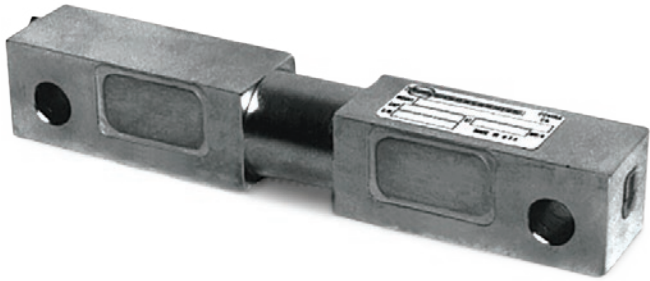
Load Rating	Part #	Est. Weight	Price
<b>NTEP Certified</b>			
250 lb	17582	6 lb	\$371.00
300 lb	112689	6 lb	\$371.00
500 lb	17583	6 lb	\$371.00
750 lb	17584	6 lb	\$371.00
1,000 lb	17585	6 lb	\$371.00
2,000 lb	17586	6 lb	\$371.00
<b>Non-NTEP Certified</b>			
100 lb	36479	6 lb	\$371.00
150 lb	112688	6 lb	\$371.00



DOUBLE-ENDED BEAM

# 65016

Alloy Steel, Environmentally Sealed, IP67



## APPROVALS



## Interchangeable Products

- RICE LAKE WEIGHING SYSTEMS
- RL75016** .....page 166
- VPG® CELTRON
- DSR** .....page 231
- VPG® REVERE
- 5203** ..... —

## Weigh Module Available

- RICE LAKE WEIGHING SYSTEMS
- RL1600 Series** .page 98 and page 100

## Dimensions

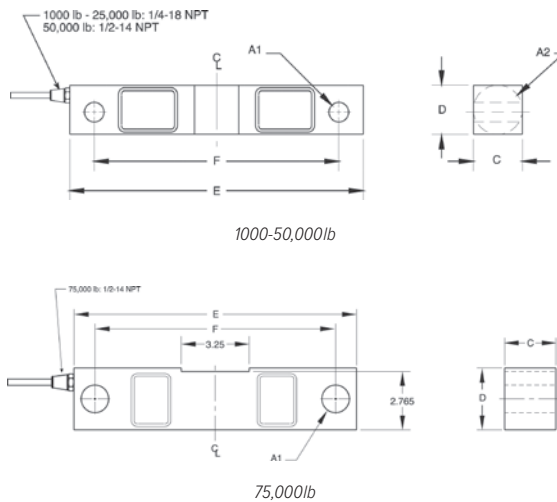
Picture is a representation of actual product

Rated Capacity	A1	A2	C	D	E	F	CONDUIT ADAPTER
lb/in							
1,000-5,000	0.50	1.25	1.25	1.25	7.50	6.25	1/4-18 NPT
10,000-25,000	0.81	1.99	1.44	1.94	8.75	7.50	1/4-18 NPT
35,000	0.81	2.50	1.50	2.50	8.75	7.50	1/4-18 NPT
50,000	1.31	3.00	2.44	2.94	13.50	11.50	1/2-14 NPT
75,000	1.31	—	2.44	2.94	13.50	11.50	1/2-14 NPT

## Order Information

Load Rating	Part #	Est. Weight	Price
1,000 lb	<b>17268</b>	4 lb	\$583.00
1,500 lb	<b>17270</b>	4 lb	\$583.00
2,500 lb	<b>17273</b>	4 lb	\$583.00
5,000 lb	<b>17275</b>	4 lb	\$583.00
10,000 lb	<b>17277</b>	7 lb	\$662.00
15,000 lb	<b>17279</b>	7 lb	\$662.00
20,000 lb	<b>17281</b>	7 lb	\$662.00
25,000 lb	<b>17282</b>	7 lb	\$662.00
35,000 lb	<b>46498</b>	8 lb	\$917.00
50,000 lb	<b>17284</b>	27 lb	\$1,033.00
75,000 lb*	<b>25358</b>	27 lb	\$1,033.00

\*75,000lb capacity has a square center



## Specifications

- Full Scale Output:**  
3.0 mV/V nominal
- Output Resistance:**  
699-707 ohms
- Input Resistance:**  
686-714 ohms
- Material/Finish:**  
High-alloy steel, nickel plated
- Temperature:**  
Operating range  
0° F to 150° F (-18° C to 65° C)
- Seal Type:**  
Environmentally sealed, IP67
- Safe Overload:**  
150% full scale
- Safe Sideload:**  
100% full scale
- Rated Excitation:**  
5- 10 V DC (15 V maximum)
- Nonlinearity:**  
0.03% full scale
- Hysteresis:**  
0.02% full scale
- Insulation Resistance:**  
5,000 megohms
- Cable Length:**  
25 ft
- Cable Diameter:**  
1,000-25,000 lb=0.200 in  
50,000-75,000 lb=0.301 in  
polyurethane jacket
- Cable Color Code:**  
Red +Excitation  
Black -Excitation  
Green +Signal  
White -Signal

- Warranty:**  
One-year limited warranty
- Approvals:**  
cFMus

### Interchangeable Products

RICE LAKE WEIGHING SYSTEMS

**RL75016WHE**..... page 170

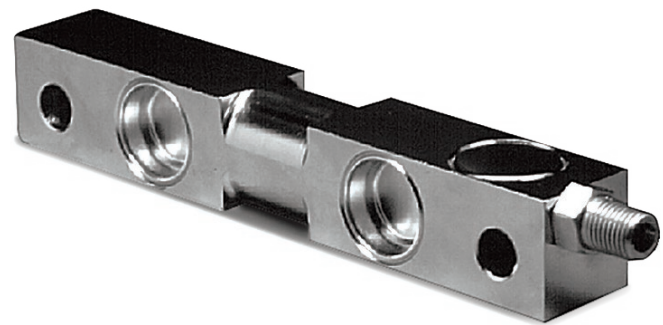
VPG® SENSORTRONICS

**65016WH**..... page 328

### Weigh Module Available

RICE LAKE WEIGHING SYSTEMS

**RL1600 Series**.....page 98 and page 100



### APPROVALS



### Dimensions

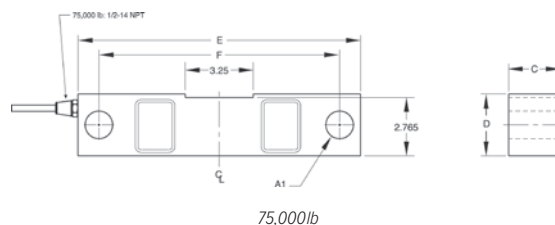
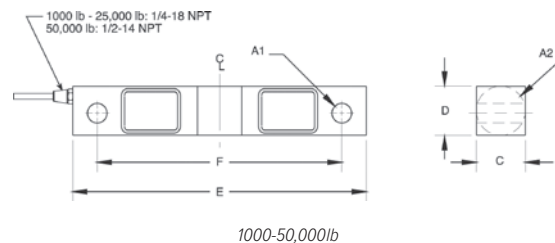
Picture is a representation of actual product

Rated Capacity	E	G	A1	A2	B	C	CONDUIT ADAPTER	F
<b>lb/in</b>								
1,000-5,000	0.50	1.25	1.25	1.25	7.50	6.25	1/4-18 NPT	1.12
10,000-25,000	0.81	1.99	1.44	1.94	8.75	7.50	1/4-18 NPT	1.62
50,000	1.31	3.00	2.44	2.94	13.50	11.50	1/2-14 NPT	3.75
75,000	1.31	—	2.44	2.94	13.50	11.50	1/2-14 NPT	3.75

### Order Information

Load Rating	Part #	Est. Weight	Price
1,000 lb	<b>36295</b>	4 lb	\$630.00
1,500 lb	<b>36296</b>	4 lb	\$630.00
2,000 lb	<b>36297</b>	4 lb	\$630.00
2,500 lb	<b>36298</b>	4 lb	\$630.00
5,000 lb	<b>36299</b>	4 lb	\$630.00
10,000 lb	<b>36300</b>	7 lb	\$715.00
15,000 lb	<b>36301</b>	7 lb	\$715.00
20,000 lb	<b>36302</b>	7 lb	\$715.00
25,000 lb	<b>36303</b>	7 lb	\$715.00
50,000 lb	<b>36304</b>	27 lb	\$1,479.00
75,000 lb*	<b>36305</b>	27 lb	\$1,479.00

\*75,000lb capacity has a square center



### Specifications

**Full Scale Output:**

3.0 mV/V nominal

**Output Resistance:**

699-707 ohms

**Input Resistance:**

686-714 ohms

**Material/Finish:**

Stainless steel

**Temperature:**

Operating range  
0°F to 150°F (-18°C to 65°C)

**Seal Type:**

Welded-seal, IP67

**Safe Overload:**

150% full scale

**Safe Sideload:**

100% full scale

**Rated Excitation:**

5- 10 V DC (15 V maximum)

**Nonlinearity:**

0.03% full scale

**Hysteresis:**

0.02% full scale

**Insulation Resistance:**

5,000 megohms

**Cable Length:**

25 ft

**Cable Diameter:**

1,000-25,000 lb = 0.200 in  
50,000-75,000 lb = 0.305 in  
polyurethane jacket

**Cable Color Code:**

Red +Excitation  
Black -Excitation  
Green +Signal  
White -Signal

**Warranty:**

One-year limited warranty

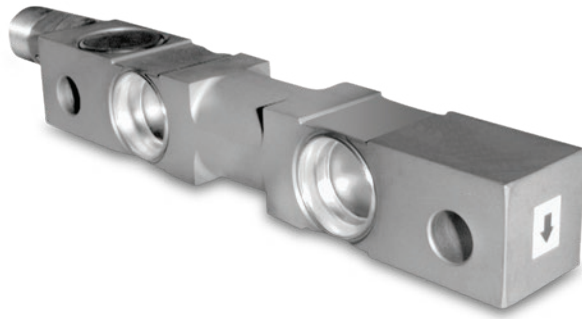
**Approvals:**

cFMus

DOUBLE-ENDED BEAM

# 65016WH

Stainless Steel, Hermetically Sealed, IP68



## APPROVALS



## Interchangeable Products

- RICE LAKE WEIGHING SYSTEMS  
**RL75016WHE**..... page 170
- RICE LAKE WEIGHING SYSTEMS  
**RL75016SS\*** .....page 168
- VPG® SENSORTRONICS  
**65016W\*** .....page 327

## Weigh Module Available

- RICE LAKE WEIGHING SYSTEMS  
**RL1600 Series** .page 98 and page 100

\*Welded-seal

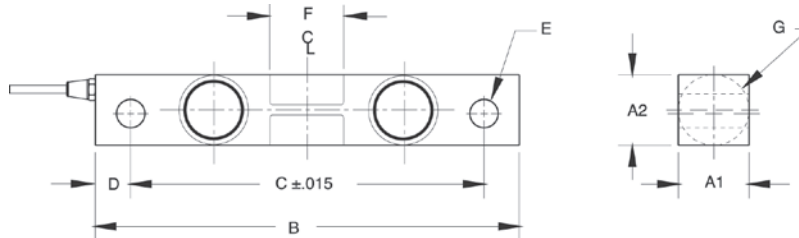
## Dimensions

Picture is a representation of actual product

Rated Capacity lb/in	A1	A2	B	C	D	E	F	G	CONDUIT ADAPTER
1,000-5,000	1.22	1.22	7.50	6.25	0.62	0.50	1.12	1.25	1/2-14 NPT
10,000-25,000	1.44	1.94	8.75	7.50	0.62	0.81	1.62	1.99	1/2-14 NPT

## Order Information

Load Rating	Part #	Est. Weight	Price
1,000 lb	<b>65827</b>	4 lb	\$736.00
1,500 lb	<b>65828</b>	4 lb	\$736.00
2,000 lb	<b>65829</b>	4 lb	\$736.00
2,500 lb	<b>65830</b>	4 lb	\$736.00
5,000 lb	<b>65831</b>	4 lb	\$736.00
10,000 lb	<b>65832</b>	7 lb	\$843.00
15,000 lb	<b>65833</b>	7 lb	\$843.00
20,000 lb	<b>65834</b>	7 lb	\$843.00
25,000 lb	<b>65835</b>	7 lb	\$843.00



## Specifications

- Full Scale Output:**  
3.0 mV/V nominal
- Output Resistance:**  
699-707 ohms
- Input Resistance:**  
686-714 ohms
- Material/Finish:**  
Stainless steel
- Temperature:**  
Operating range  
0° F to 150° F (-18° C to 65° C)
- Seal Type:**  
Hermetically sealed, IP68
- Safe Overload:**  
150% full scale
- Safe Sideload:**  
100% full scale
- Rated Excitation:**  
5- 10 VDC (15 V maximum)
- Nonlinearity:**  
0.03% full scale
- Hysteresis:**  
0.02% full scale
- Insulation Resistance:**  
5,000 megohms
- Cable Length:**  
25 ft
- Cable Diameter:**  
0.200 in polyurethane jacket
- Cable Color Code:**  
Red +Excitation  
Black -Excitation  
Green +Signal  
White -Signal
- Warranty:**  
One-year limited warranty
- Approvals:**  
cFMus

### Interchangeable Products

RICE LAKE WEIGHING SYSTEMS

**RL75058-LP** ..... page 171

VPG® CELTRON

**CLB** ..... page 233

### Weigh Module Available

RICE LAKE WEIGHING SYSTEMS

**RL2100 HE** ..... page 40

RICE LAKE WEIGHING SYSTEMS

**MVS** ..... page 106



### APPROVALS



Picture is a representation of actual product

### Specifications

**Full Scale Output:**

3.0 mV/V

**Output Resistance:**

699-707 ohms

**Input Resistance:**

686-714 ohms

**Material/Finish:**

High-alloy steel, nickel plated

**Temperature:**

Compensated range

14° F to 104° F (-10° C to 40° C)

Operating range

0° F to 150° F (-18° C to 65° C)

**Seal Type:**

Environmentally sealed, IP67

**Safe Overload:**

150% full scale

**Safe Sideload:**

100% full scale

**Rated Excitation:**

5- 10 VDC (15 V maximum)

**Combined Error:**

0.02% full scale

**Insulation Resistance:**

1,000 megohms

**Cable Length:**

35 ft

**Cable Diameter:**

10,000-25,000 lb=0.200 in

40,000-125,000 lb=0.305 in

polyurethane jacket

**Cable Coloring:**

Red +Excitation

Black -Excitation

Green +Signal

White -Signal

**Warranty:**

One-year limited warranty

**Approvals:**

cFMus

NTEP

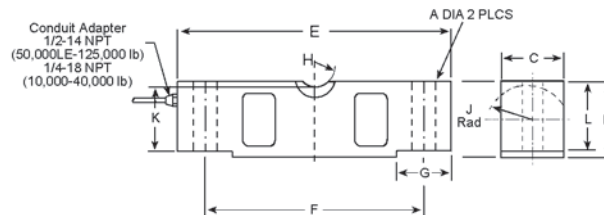
### Dimensions

Rated Capacity lb/in	A	C	D	E	F	G	H	J	K	L
10,000-25,000	0.68	1.69	1.94	7.75	6.50	1.38	0.75	0.90	1.63	1.70
40,000-50,000 SE	0.81	1.94	2.44	10.25	8.50	1.93	1.00	1.12	2.00	2.10
50,000 LE-75,000	1.06	2.44	2.94	10.25	8.50	1.93	1.00	1.37	2.54	2.65
100,000-125,000	1.62	2.90	3.86	15.25	12.75	3.13	1.50	1.80	3.30	3.43

### Order Information

Load Rating	Part #	Est. Weight	Price
<b>NTEP Certified</b>			
20,000 lb	<b>21592</b>	7 lb	\$673.00
25,000 lb	<b>21593</b>	7 lb	\$673.00
40,000 lb	<b>21608</b>	13 lb	\$805.00
50,000 lb SE	<b>26081</b>	13 lb	\$895.00
50,000 lb LE	<b>21594</b>	21 lb	\$895.00
60,000 lb	<b>21595</b>	21 lb	\$895.00
75,000 lb	<b>21596</b>	21 lb	\$895.00
100,000 lb	<b>21609</b>	40 lb	\$1,669.00
125,000 lb	<b>21610</b>	40 lb	\$1,669.00
<b>Non-NTEP Certified</b>			
10,000 lb	<b>17287</b>	7 lb	\$652.00
<b>60 ft cable</b>			
75,000 lb	<b>39459</b>	26 lb	\$911.00

SE=small envelope; LE=large envelope



DOUBLE-ENDED BEAM

# 65058S

Stainless Steel, Welded Seal, NTEP Certified 1:10,000 Class IIIIL Multiple Cell, IP67



## APPROVALS



## Weigh Module Available

RICE LAKE WEIGHING SYSTEMS  
**RL2100 HE**..... page 40  
 RICE LAKE WEIGHING SYSTEMS  
**MVS**.....page 106

## Specifications

- Full Scale Output:**  
3.0 mV/V
- Output Resistance:**  
699-707 ohms
- Input Resistance:**  
686-714 ohms
- Material/Finish:**  
Stainless steel
- Temperature:**  
Compensated range  
14° F to 104° F (-10° C to 40° C)  
Operating range  
0° F to 150° F (-18° C to 65° C)
- Seal Type:**  
Welded-seal, IP67
- Safe Overload:**  
150% full scale
- Safe Sideload:**  
100% full scale
- Rated Excitation:**  
5- 10 VDC (15 V maximum)
- Nonlinearity:**  
0.03% full scale
- Hysteresis:**  
0.02% full scale
- Insulation Resistance:**  
1,000 megohms
- Cable Length:**  
35 ft  
60 ft
- Cable Diameter:**  
20,000-25,000 lb=0.200 in  
40,000-125,000 lb=0.305 in  
polyurethane jacket
- Cable Coloring:**  
Red +Excitation  
Black -Excitation  
Green +Signal  
White -Signal
- Warranty:**  
One-year limited warranty

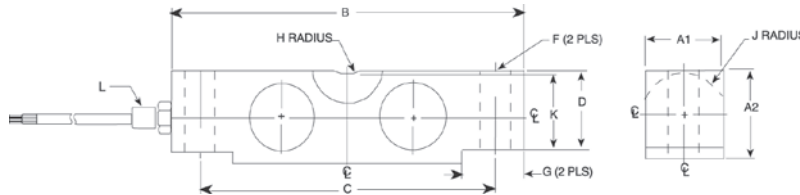
## Dimensions

Picture is a representation of actual product

Rated Capacity	A1	A2	B	C	D	F	G	H	J	K	L
20,000-25,000	1.69	1.94	7.75	6.50	1.70	0.68	1.38	0.75	0.90	1.63	1/4-18 NPT
40,000	1.94	2.44	10.25	8.50	2.10	0.81	1.93	1.00	1.12	2.00	1/4-18 NPT
50,000-75,000	2.44	2.94	10.25	8.50	2.65	1.06	1.93	1.00	1.37	2.54	1/2-14 NPT
100,000	2.44	3.44	10.25	8.50	2.65	1.06	1.93	1.00	1.37	2.54	1/2-14 NPT
125,000	2.90	3.86	15.25	12.75	3.43	1.62	3.13	1.50	1.80	3.30	1/2-14 NPT

## Order Information

Load Rating	Part #	Est. Weight	Price
<b>35 ft Cable</b>			
20,000 lb	45475	7 lb	\$927.00
25,000 lb	45476	7 lb	\$927.00
40,000 lb	45477	11 lb	\$1,160.00
50,000 lb	45478	14 lb	\$1,160.00
60,000 lb	45479	20 lb	\$1,160.00
75,000 lb	45480	20 lb	\$1,160.00
100,000 lb	45481	40 lb	\$2,433.00
125,000 lb	45482	40 lb	\$2,963.00
<b>60 ft Cable</b>			
75,000 lb	48698	20 lb	\$1,240.00





### Interchangeable Products

- FAIRBANKS®  
**Rodan 90814-40 k**..... —
- FAIRBANKS  
**Rodan 91088-50 k**..... —

### Specifications

- Full Scale Output:**  
3.0mmV/V
- Output Resistance:**  
699-707 ohms
- Input Resistance:**  
686-714 ohms
- Material/Finish:**  
High-alloy steel, nickel plated  
Stainless steel
- Temperature:**  
Compensated range  
14° F to 104° F (-10° C to 40° C)  
Operating range  
0° F to 150° F (-18° C to 65° C)
- Seal Type:**  
Environmentally sealed, IP67  
Welded-seal, IP67 - pn 67387
- Safe Overload:**  
150% full scale
- Safe Sideload:**  
100% full scale
- Rated Excitation:**  
5- 10 V DC (15 V maximum)
- Combined Error:**  
0.02% full scale
- Insulation Resistance:**  
5,000 ohms
- Cable Length:**  
60 ft - copper over braid
- Cable Diameter:**  
0.230 in polyurethane jacket
- Cable Coloring:**  
Red +Excitation  
Black -Excitation  
Green +Signal  
White -Signal
- Warranty:**  
One-year limited warranty

### Approvals:

- cFMus
- NTEP

### APPROVALS



PN 154800 shown

### Dimensions

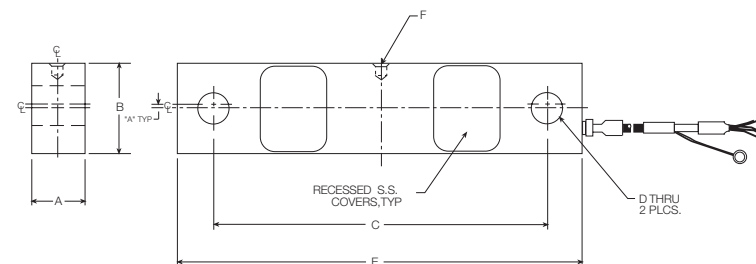
Picture is a representation of actual product

Rated Capacity	A	B	C	D	E	F
lb/in						
40,000	1.94	2.44	8.75	0.78	10.50	0.257 × 0.375 DP
50,000	1.94	2.44	8.75	0.78	10.50	0.257 × 0.375 DP

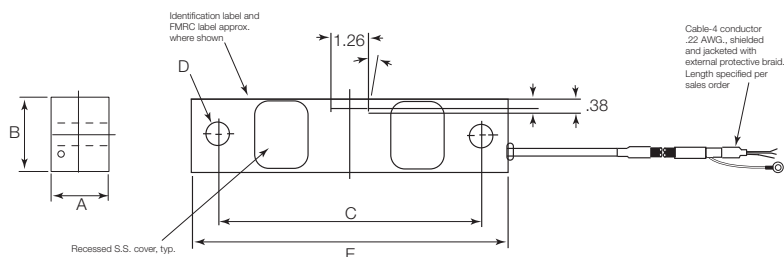
### Order Information

Load Rating	Part #	Est. Weight	Price
<b>Alloy Steel</b>			
40,000 lb	<b>47850</b>	18 lb	\$1,267.00
50,000 lb	<b>47851</b>	18 lb	\$1,267.00
<b>Stainless Steel</b>			
50,000 lb (welded-seal)	<b>67387</b>	18 lb	\$1,410.00
50,000 lb* (environmentally sealed)	<b>154800</b>	18 lb	\$1,267.00
<b>Mounting Assembly Accessories*</b>			
Load Button	<b>25524</b>	1 lb	\$51.00
Load Pin	<b>50807</b>	1 lb	\$98.00
Bearing Screw	<b>44837</b>	1 lb	\$130.00
Bushing	<b>50748</b>	1 lb	\$40.00
Load Cell Stand	<b>50767</b>	1 lb	\$327.00
Support Pin	<b>50747</b>	1 lb	\$35.00
Washer	<b>15180</b>	1 lb	\$2.30
Cotter Pin	<b>15244</b>	1 lb	\$1.50
Load Button (use with 154800)*	<b>154802</b>	1 lb	\$37.00

\*Counterbored hole for load button



PN 47850, 47851, 67387



PN 154800

# DOUBLE-ENDED BEAM 65040A

Alloy Steel, Environmentally Sealed, NTEP Certified Class III L Multiple Cell 1:6,000/1:10,000, IP67



## APPROVALS



Picture is a representation of actual product

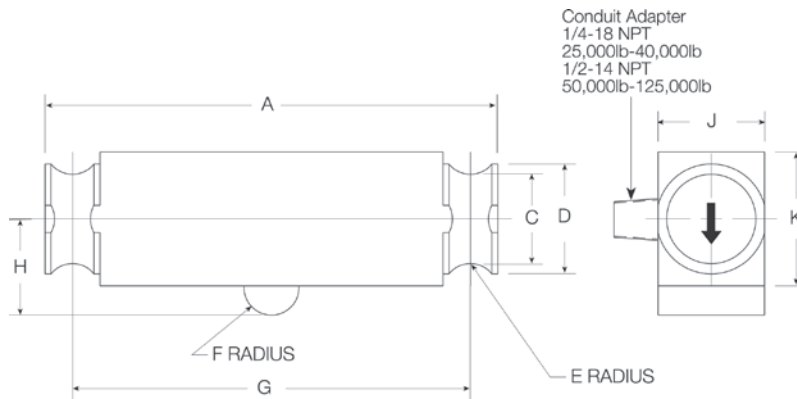
## Dimensions

Rated Capacity lb/in	A	C	D	E	F	G	H	J	K
25,000-50,000 SE	8.25	1.63	2.00	0.50	0.50	7.25	1.75	1.94	2.44
50,000-75,000	11.50	1.70	2.20	0.75	1.00	10.00	2.00	1.94	2.94
100,000-125,000	14.50	2.44	3.20	1.00	1.50	12.50	2.75	2.90	3.86

## Order Information

Load Rating	Part #	Est. Weight	Price
<b>NTEP Certified</b>			
25,000 lb	21598	11 lb	\$673.00
40,000 lb	21599	11 lb	\$805.00
50,000 lb SE	69562	11 lb	\$805.00
50,000 lb	21600	19 lb	\$885.00
60,000 lb	21601	19 lb	\$885.00
75,000 lb	21602	19 lb	\$885.00
100,000 lb	21603	40 lb	\$1,670.00
125,000 lb	21604	40 lb	\$1,670.00

SE=small envelope



## Interchangeable Products

RICE LAKE WEIGHING SYSTEMS  
**RL75040** ..... page 178  
 THURMAN®  
**TSC 840** ..... —

## Weigh Module Available

RICE LAKE WEIGHING SYSTEMS  
**Translink™** ..... page 108

## Specifications

- Full Scale Output:**  
3.0 mV/V
- Output Resistance:**  
686-714 ohms
- Input Resistance:**  
699-707 ohms
- Material/Finish:**  
High-alloy steel, nickel plated
- Temperature:**  
Compensated range  
14° F to 104° F (-10° C to 40° C)  
Operating range  
0° F to 150° F (-18° C to 65° C)
- Seal Type:**  
Environmentally sealed, IP67
- Safe Overload:**  
150% full scale
- Safe Sideload:**  
100% full scale
- Rated Excitation:**  
5-10 VDC (15 V maximum)
- Combined Error:**  
0.02% full scale
- Insulation Resistance:**  
1,000 megohms
- Cable Length:**  
35 ft
- Cable Diameter:**  
25,000 lb=0.200 in  
50,000-125,000 lb=0.305 in  
polyurethane jacket
- Cable Coloring:**  
Red +Excitation  
Black -Excitation  
Green +Signal  
White -Signal
- Warranty:**  
One-year limited warranty
- Approvals:**  
cFMus  
NTEP

## Interchangeable Products

RICE LAKE WEIGHING SYSTEMS

**RL75040** ..... page 178

VPG® SENSORTRONICS

**65040A** ..... page 332

## Specifications

**Full Scale Output:**  
3.0 mV/V

**Output Resistance:**  
699-707 ohms

**Input Resistance:**  
686-714 ohms

**Material/Finish:**  
Stainless steel

**Temperature:**  
Compensated range  
14° F to 104° F (-10° C to 40° C)  
Operating range  
0° F to 150° F (-18° C to 65° C)

**Seal Type:**  
Welded-seal, IP68

**Safe Overload:**  
150% full scale

**Safe Sideload:**  
100% full scale

**Rated Excitation:**  
5- 10 VDC (15 V maximum)

**Combined Error:**  
0.02% full scale

**Insulation Resistance:**  
5,000 megohms

**Cable Length:**  
35 ft

**Cable Diameter:**  
25,000 lb=0.200 in  
40,000-75,000 lb=0.301 in  
polyurethane jacket

**Cable Coloring:**  
Red +Excitation  
Black -Excitation  
Green +Signal  
White -Signal

**Warranty:**  
One-year limited warranty

**Approvals:**  
cFMus  
NTEP

## APPROVALS



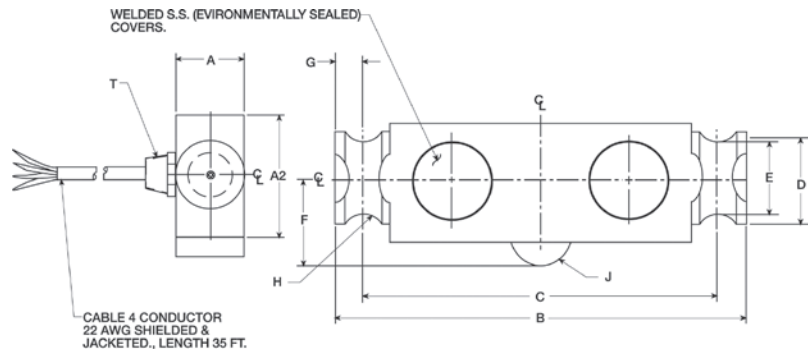
## Dimensions

Picture is a representation of actual product

Rated Capacity	A	A2	B	C	D	E	F	G	H	J	T
25,000-40,000 lb/in	1.94	2.44	8.25	7.25	2.00	1.63	1.75	0.50	0.50	0.50	1/4-18 NPT
50,000-75,000 lb/in	1.94	2.94	11.50	10.00	2.20	1.70	2.00	0.75	0.75	1.00	1/4-18 NPT

## Order Information

Load Rating	Part #	Est. Weight	Price
25,000 lb	<b>45467</b>	15 lb	\$810.00
40,000 lb	<b>45468</b>	15 lb	\$970.00
50,000 lb	<b>45469</b>	25 lb	\$1,055.00
60,000 lb	<b>45470</b>	25 lb	\$1,055.00
75,000 lb	<b>45471</b>	25 lb	\$1,055.00



DOUBLE-ENDED BEAM

# 65040A-1127W

Alloy Steel, Welded Seal, NTEP Certified 1:10,000 Class III Multiple Cell, IP67



## APPROVALS



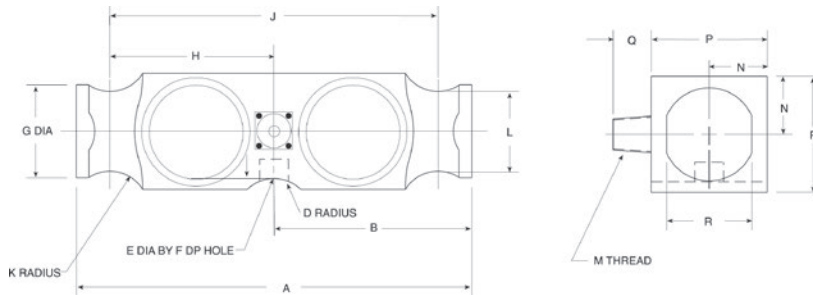
Picture is a representation of actual product

## Dimensions

Rated Capacity	A	B	D	E	F	G	H	J	K	L	M	N	P	Q	R
50,000-65,000	10.25	5.12	1.00	0.75	0.78	2.40	4.25	8.50	1.00	2.06	1/2-14 NPT	1.50	3.00	1.03	2.20
100,000	10.25	5.12	1.00	—	—	2.40	4.25	8.50	1.00	2.06	1/2-14 NPT	1.50	3.00	1.03	2.20

## Order Information

Load Rating	Part#	Est. Weight	Price
50,000 lb	<b>66080</b>	18 lb	\$1,055.00
65,000 lb	<b>87162</b>	20 lb	\$1,055.00
100,000 lb	<b>87163</b>	20 lb	\$1,405.00



## Interchangeable Products

RICE LAKE WEIGHING SYSTEMS	
<b>RL75223</b> .....	page 176
VPG® REVERE	
<b>5223</b> .....	page 293
ARTECH®	
<b>80210</b> .....	—
THURMAN®	
<b>TSC 800</b> .....	—

## Weigh Module Available

RICE LAKE WEIGHING SYSTEMS	
<b>Translink™</b> .....	page 108

## Specifications

**Full Scale Output:**  
3.0 mV/V

**Output Resistance:**  
686-714 ohms

**Input Resistance:**  
699-707 ohms

**Material/Finish:**  
High-alloy steel

**Temperature:**  
Compensated range  
14° F to 104° F (-10° C to 40° C)  
Operating range  
0° F to 150° F (-18° C to 65° C)

**Seal Type:**  
Welded-seal, IP67  
(Conduit is recommended for maximum protection against the ingress of water and moisture through the cable entry)

**Safe Overload:**  
150% full scale

**Safe Sideload:**  
100% full scale

**Rated Excitation:**  
5- 10 VDC (15 V maximum)

**Non-repeatability:**  
0.01% full scale

**Combined Error:**  
0.03% full scale

**Insulation Resistance:**  
1,000 megohms

**Deflection at Capacity:**  
50,000 lb=0.018 in  
65,000 lb=0.022 in  
100,000 lb=0.034 in

**Cable Length:**  
40 ft

**Cable Diameter:**  
0.305 in polyurethane jacket

**Cable Color Code:**  
Red +Excitation  
Black -Excitation  
Green +Signal  
White -Signal

**Warranty:**  
One-year limited warranty

**Approvals:**  
cFMus  
NTEP

**Interchangeable Products**

FAIRBANKS®

63951.....-

**Specifications**

**Full Scale Output:**

2.0 mV/V nominal

**Output Resistance:**

1,000 (±10 ohms)

**Input Resistance:**

1,000 ohms

**Material/Finish:**

Stainless steel

**Temperature:**

Compensated range  
14° F to 104° F (-10° C to 40° C)  
Operating range  
0° F to 150° F (-18° C to 65° C)

**Seal Type:**

Hermetically sealed, IP68

**Safe Overload:**

150% full scale

**Rated Excitation:**

5- 10 VDC (15 V maximum)

**Combined Error:**

0.03% full scale

**Insulation Resistance:**

1,000 megohms

**Cable Length:**

35 ft

**Cable Diameter:**

0.305 in polyurethane jacket

**Cable Color Code:**

Red +Excitation  
Black -Excitation  
Green +Signal  
White -Signal

**Warranty:**

Two-year limited warranty

**Approvals:**

cFMus  
NTEP

**APPROVALS**



**Dimensions**

Picture is a representation of actual product

Rated Capacity	A	D	H	H1	H2	W1	W2	W3
lb/in								
50,000	0.62	0.38	6.00	2.82	1.59	1.46	1.46	2.50
50,000 LE	0.62	0.38	7.56	2.82	1.59	1.46	1.46	2.50

**Order Information**

Load Rating	Part #	Est. Weight	Price
50,000 lb	46497	5 lb	\$842.00
50,000 lb LE	47952	6 lb	\$842.00
Options			
Replacement anti-rotational pins	116181	1 lb	\$5.00
Replacement O-ring	92988	1 lb	\$1.00

LE=large envelope

