

# 9103

Stainless Steel, Environmentally Sealed, NTEP Certified 1:10,000 Class III Multiple Cell, IP67



Picture is a representation of actual product

### Approvals

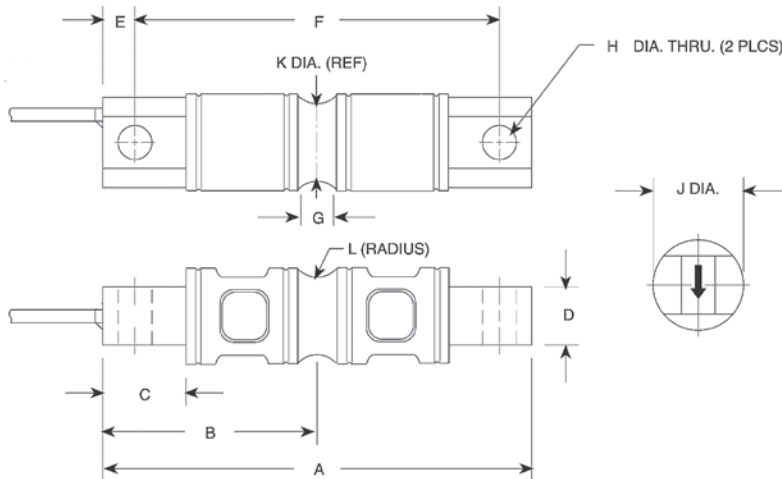


### Order Information

Load Rating	Part #	Est. Weight	Price
<b>NTEP Certified</b>			
10,000 lb	17329	5 lb	Consult
20,000 lb	17330	5 lb	Consult
30,000 lb	17331	19 lb	Consult
40,000 lb	17332	19 lb	Consult
50,000 lb	17333	19 lb	Consult
60,000 lb	17334	19 lb	Consult
100,000 lb	17335	30 lb	Consult
<b>Non-NTEP Certified</b>			
5,000 lb	17328	5 lb	Consult
150,000 lb	17336	30 lb	Consult
<b>Conduit Adapter Kit (must be factory installed to maintain warranty)</b>			
3/8-24 to 1/4-18NPT	31534	1 lb	Consult
5/8-18UNF to 1/2-14 NPT	31535	1 lb	Consult

### Dimensions

Rated Capacity	A	B	C	D	E	F	G	H	J	K	L
5,000 to 10,000	8.12	4.06	1.44	1.12	0.62	6.88	0.62	0.66	1.70	1.48	0.50
20,000	8.12	4.06	1.44	1.12	0.62	6.88	0.84	0.66	1.95	1.48	0.50
30,000 to 60,000	10.25	5.12	1.88	2.37	0.88	8.50	1.00	1.06	3.00	2.73	1.00
100,000	11.25	5.62	1.88	2.50	0.88	9.50	1.00	1.06	3.50	3.24	1.50
150,000	11.25	5.62	1.88	2.80	0.88	9.50	1.25	1.06	3.90	3.64	1.50



VPG REVERSE

### Interchangeable Products

- RICE LAKE WEIGHING SYSTEMS
- RL70000SS ..... page 143
- RL72020SS..... page 138

### Weigh Module Available

- RICE LAKE WEIGHING SYSTEMS
- EZ Mount 1.....page 74

### Specifications

- Full Scale Output:** 3.0 mV/V
- Output Resistance:** 700 (± 7) ohm
- Input Resistance:** 700 (± 7) ohm
- Material/Finish:** Stainless steel
- Temperature:** Compensated range 14 °F to 104 °F (-10 °C to 40 °C)  
Operating range 0 °F to 150 °F (-18 °C to 65 °C)
- Seal Type:** Environmentally sealed, IP67
- Safe Overload:** 150% full scale
- Safe Sideload:** 100% full scale
- Rated Excitation:** 5 to 10 VDC (15 V maximum)
- Non-repeatability:** 0.02% full scale
- Combined Error:** 0.03% full scale
- Insulation Resistance:** 5,000 megohm
- Deflection at Capacity:** 5,000 lb: 0.02 in  
10,000 lb: 0.025 in  
20,000 lb: 0.042 in  
30,000 to 50,000 lb: 0.02 in  
60,000 lb: 0.025 in  
100,000 to 150,000 lb: 0.02 in
- Cable Length:** 30 ft
- Cable Diameter:** 0.295 in  
Polyurethane jacket
- Cable Color Code:** Red +Excitation  
Black -Excitation  
Green +Signal  
White -Signal
- Warranty:** One-year limited
- Approvals:** cFMus  
NTEP