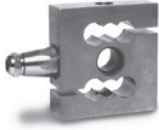


S-BEAMS

Page 204

UB1, STAINLESS STEEL



The UB1 stainless steel s-beam is designed for single or multiple-cell tension load applications. Millivolt/volt/ohm factory calibration assures matched outputs for easy calibration in multiple-cell applications. It features true hermetic sealing of both the strain gauge area and cable entry, providing the ultimate in protection from outside elements. 20 ft of field-replaceable cable is included to simplify cable and load cell repairs. Capacities range from 10 to 50 kN.



Page 205

UB6, STAINLESS STEEL



The UB6 stainless steel s-beam is designed to meet the most stringent accuracy requirements. 20 ft of field-replaceable cable is included to simplify cable and load cell repairs. Capacities range from 1 to 5 kN.



SINGLE-ENDED BEAMS

Page 206

SLB, STAINLESS STEEL



This stainless steel, single-ended beam has one of the highest NTEP Certified ratings in the industry. A new generation of potting makes this load cell suitable for tough industrial environments. Capacities range from 200 to 5,000 lb. Complete with 10 ft of load cell cable.



Page 207

SB4, STAINLESS STEEL



The SB4 stainless steel, single-ended beam is designed for multiple-cell applications such as floor scales and tank, bin and hopper weighing systems. It is used exclusively in Rice Lake Weighing Systems' Paramounts® HS mounting systems. Millivolt/volt/ohm factory calibration assures matched outputs for easy calibration. It features true hermetic sealing of both the strain gauge area and cable entry, providing the ultimate in protection from outside elements. Includes field-replaceable load cell cable to simplify cable and load cell repairs. Available in both NTEP Certified and Non-NTEP Certified ranges 5 to 100 kN.



Page 208

SB5, STAINLESS STEEL



The SB5 stainless steel single-ended beam is designed for multiple-cell applications such as floor scales and tank, bin and hopper weighing systems. It is used exclusively in Rice Lake Weighing Systems' Paramounts® EP mounting systems. Millivolt/volt/ohm factory calibration assures matched outputs for easy calibration. Available in both NTEP Certified and Non-NTEP Certified ranges 5 kN to 100 kN.



Page 209

BK2, STAINLESS STEEL



The BK2 is the latest offering from one of the premier suppliers of quality load cells in the world. This new model was designed to lower the scale profile by providing a load cell that is half the overall height of traditional solutions. Ideal for applications such as low-profile floor scales, this model is constructed of stainless steel and has been environmentally potted to provide suitable protection for indoor applications. In addition, the standard calibration technique used by Flintec avoids time-consuming calibration for multiple load cell applications. The BK2 is available in capacities from 200 to 2,000 kg and includes 10 ft of standard load cell cable.



Page 210

SB6, STAINLESS STEEL



The SB6 load cell is a stainless steel, fully hermetically sealed, single-ended beam suitable for the harshest environments. The special loading hole provides an excellent price-to-performance ratio, and also allows a very low-profile design. Capacities range from 0.2 to 2 kN. Complete with 10 ft of load cell cable.



SINGLE-ENDED BEAMS

Page 211

SB10, STAINLESS STEEL



The SB10 load cell is used in the 2.3 kN Paramounts® assemblies. This stainless steel, hermetically sealed load cell provides full IP68 sealing protection for the harshest environments. Ideal for use in multiple-cell floor scale, tank and hopper applications. The unique millivolt/volt/ohm factory calibration assures matched outputs for easy field replacement and calibrations. The capacity of this model is 2.5 kN. Each unit is supplied with 10 ft of load cell cable.



Page 212

SB14, STAINLESS STEEL



The SB14 load cell is a stainless steel, fully hermetically sealed, single-ended beam suitable for the harshest environments. Capacities range from 500 to 5,000 lb. Complete with 10 ft of load cell cable.



ROCKER COLUMNS

Page 213

RC1, STAINLESS STEEL



The RC1 load cell offers stainless steel and full hermetic sealing, making these cells suitable for use in tough industrial environments. Capacities are 250 kN, 400 kN and 50,000 lb. Cable lengths vary from 35 t o 60 ft for easy field replacement and load cell repairs.



Page 214

RC3, STAINLESS STEEL



The RC3 is a stainless steel, hermetically sealed load cell. This rocker design provides superior performance and full hermetic design in applications where moisture and high humidity are present. Available in capacities from 7.5 to 50 t.



SINGLE POINTS

Page 215

PCB, STAINLESS STEEL



The PCB is the first full stainless steel, hermetically sealed “brick” type of load cell on the market. This unique design provides superior protection in applications where moisture and high humidity are present. This model features both a welded gauge cavity area, and waterproof cable entry for long-lasting performance in almost any platform scale application. Interchangeable with the industry’s most popular designs, this model provides the ability to upgrade applications. Available in capacities from 50 to 1,000 kg. Each unit includes 10 ft of load cell cable.



Page 216

PC1, STAINLESS STEEL



PC1 load cells offer stainless steel and an environmentally protected seal, making these cells suitable for use in tough industrial environments. Capacities range from 10 to 200 kg.



SINGLE POINTS

Page 217

PC3, STAINLESS STEEL



The Flintec PC3 is a stainless steel, single point load cell. Ideal for harsh environments, the PC3 has an IP67 rating and is environmentally sealed. Capacities range from 7 to 150 kg. Complete with 10 ft of load cell cable.



Page 218

PC4, STAINLESS STEEL



The Flintec PC4 stainless steel single point is a hermetic load cell that is a great choice for adverse conditions. Capacities from 10 to 100 kg are NTEP certified and OIML approved. Complete with 10 ft of cable.



Page 219

PC6, STAINLESS STEEL



The PC6 load cells offer stainless steel and real hermetic sealing, making these cells suitable for use in tough industrial environments. Includes 3 m of field-replaceable load cell cable to simplify cable and load cell repairs. Capacities range from 20 to 200 kg.



Page 220

PC7, STAINLESS STEEL



The stainless steel, hermetically sealed PC7 is ideal for washdown applications. Sealed to IP69K standards, the PC7 comes with 3 m of cable and an integrated mounting spacer, making installation easy.



Page 221

PC2, STAINLESS STEEL



This high-accuracy stainless steel, single-point load cell is an ideal replacement cell for hopper applications with damaged bellows. This cell also features complete hermetic sealing for use in the toughest environments. This product is offered at 150 kg and comes complete with 10 ft of load cell cable.



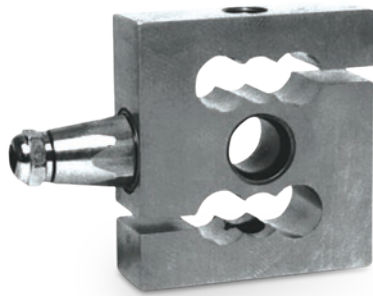
PLANAR BEAM

Page 222

PB, ALUMINUM

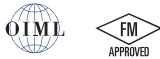


The Flintec PB planar beam is an inexpensive alternative for use in low profile, light capacity applications. The compact size and mV/V per ohm calibration simplifies installation. Capacities range from 15 to 150 kg and includes 1.5 m of load cell cable.



Picture is a representation of actual product.

Approvals



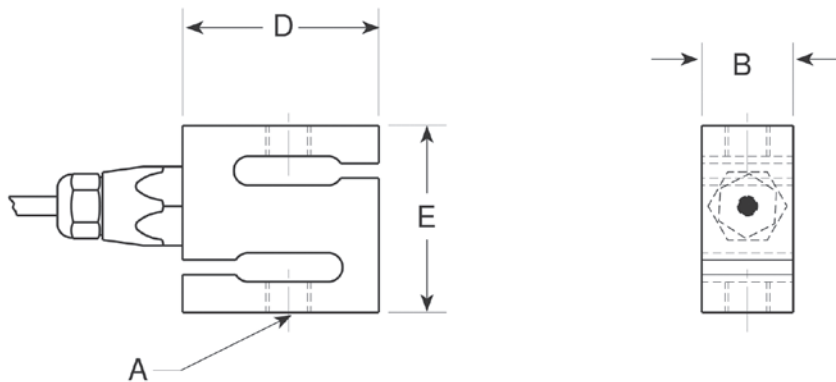
Order Information

Load Rating	Part #	Est. Weight	Price
10 kN	17073	4 lb	\$747.00
20 kN	17074	4 lb	\$747.00
50 kN	17075	13 lb	\$747.00
Options			
Conduit adapter, 1/2-14 NPT	17703	1 lb	\$50.00

Dimensions

Rated Capacity	A*	B	D	E
kN/in				
10 to 20	5/8-18 UNF	1.18	3.38	3.62
50	1-12 UNF	1.69	5.62	5.37

*Also available with metric threads



Specifications

- Full Scale Output:**
2.0 mV/V
mV/V/ohm calibration
- Output Resistance:**
1,000 (± 2) ohm
- Input Resistance:**
1,100 (± 50) ohm
- Material/Finish:**
Stainless steel
- Temperature:**
Operating range
0 °F to 150 °F (-18 °C to 65 °C)
- Seal Type:**
Hermetically sealed, IP69K
- Safe Overload:**
200% full scale
- Rated Excitation:**
5 to 10 VDC (15 V maximum)
- Nonlinearity:**
0 to -0.03% full scale
- Hysteresis:**
0 to +0.05% full scale
- Combined Error:**
± 0.03%
- Insulation Resistance:**
10,000 megohm
- Cable Length:**
20 ft
- Cable Diameter:**
0.196 in
Polyurethane jacket
- Cable Color Code:**
Green +Excitation
Black -Excitation
White +Signal
Red -Signal
Yellow Shield
- Warranty:**
One-year limited
- Approvals:**
FM
OIML



Picture is a representation of actual product.

Approvals



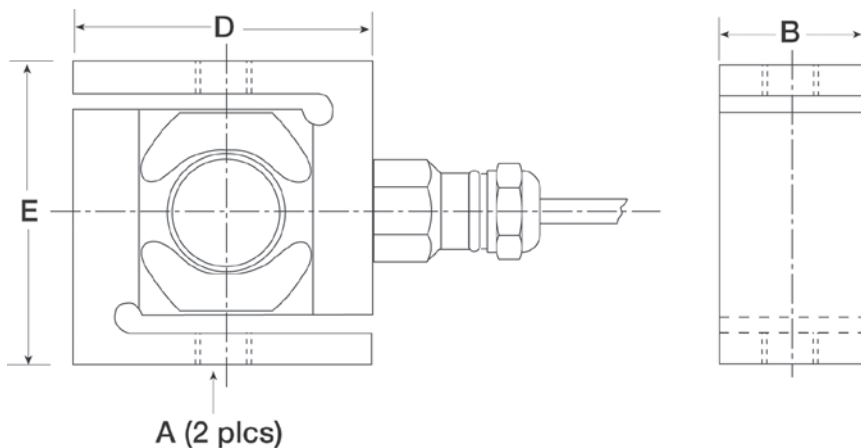
Order Information

Load Rating	Part #	Est. Weight	Price
1 kN	36214	3lb	\$640.00
2 kN	36215	3lb	\$640.00
5 kN	36216	3lb	\$640.00

Dimensions

Rated Capacity	A*	B	D	E
kN/in				
1 to 5	1/2-20 UNF	1.20	2.42	2.42

*Also available with metric threads



Specifications

- Full Scale Output:**
2.0 mV/V
mV/V/ohm calibration
- Output Resistance:**
1,000 (± 2) ohm
- Input Resistance:**
1,100 (± 50) ohm
- Material/Finish:**
Stainless steel
- Temperature:**
Operating range
0 °F to 150 °F (-18 °C to 65 °C)
- Seal Type:**
Hermetically sealed, IP69K
- Safe Overload:**
200% full scale
- Rated Excitation:**
5 to 10 VDC (15 V maximum)
- Combined Error:**
0.02% full scale
- Insulation Resistance:**
5,000 megohm
- Cable Length:**
20 ft
- Cable Diameter:**
0.196 in
Polyurethane jacket
- Cable Color Code:**
Green +Excitation
Black -Excitation
White +Signal
Red -Signal
Yellow Shield
- Warranty:**
One-year limited
- Approvals:**
FM
OIML



SLB

Stainless Steel, Environmentally Sealed, NTEP Certified 1:4,000 Class III Single Cell/1:7,500 Class III Multiple Cell, OIML C3, IP67



Picture is a representation of actual product.

Approvals



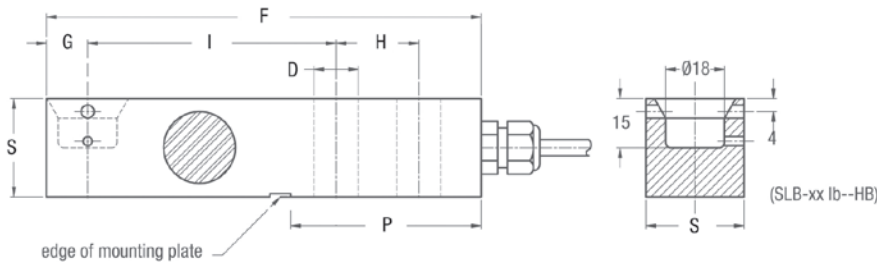
Order Information: Blind Hole

Load Rating	Part#	Est. Weight	Price
200 lb	77422	3 lb	\$350.00
500 lb	77423	3 lb	\$350.00
1,000 lb	68527	3 lb	\$350.00
2,500 lb	68528	3 lb	\$350.00
5,000 lb	68529	3 lb	\$350.00

Threaded version obsolete

Dimensions

Rated Capacity	D	F	G	H	I	P	S
lb/in							
200 to 5,000	0.51	5.37	0.50	1.00	3.00	2.42	1.19



Interchangeable Products

FAIRBANKS**
LCF-HR4050-3

*Stainless overbraided cable

Specifications

- Full Scale Output:**
2.0 mV/V
mV/V/ohm calibration
- Output Resistance:**
1,000 (± 2) ohm
- Input Resistance:**
1,100 (± 50) ohm
- Material/Finish:**
Stainless steel
- Temperature:**
Compensated range
14 °F to 104 °F (-10 °C to 40 °C)
Operating range
0 °F to 150 °F (-18 °C to 65 °C)
- Seal Type:**
Environmentally sealed, IP67
- Safe Overload:**
200% full scale
- Safe Sideload:**
100% full scale
- Rated Excitation:**
5 to 10 VDC (15 V maximum)
- Insulation Resistance:**
5,000 megohm
- Combined Error:**
0.01% full scale
- Cable Length:**
10 ft
- Cable Diameter:**
0.196 in
Polyurethane jacket
- Cable Color Code:**
Green +Excitation
Black -Excitation
White +Signal
Red -Signal
Yellow Shield
- Warranty:**
One-year limited
- Approvals:**
FM
NTEP
OIML



Picture is a representation of actual product.

Approvals



Order Information

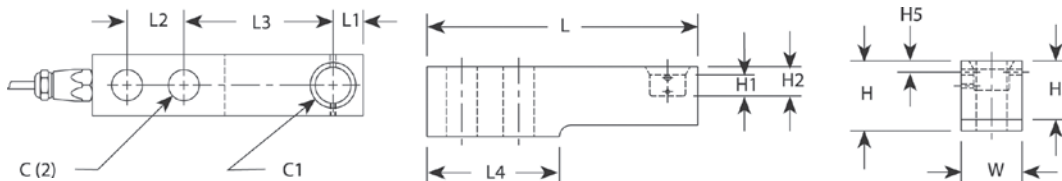
Load Rating	Part #	Est. Weight	Price
NTEP Certified/OIML			
5 kN	26662	4 lb	\$715.00
10 kN	26663	4 lb	\$715.00
23 kN	26664	4 lb	\$715.00
50 kN	26665	7 lb	\$795.00
Non-NTEP Certified/Non-OIML			
5 kN	17390	4 lb	\$652.00
10 kN	17391	4 lb	\$652.00
23 kN	17392	4 lb	\$652.00
50 kN	17393	7 lb	\$715.00
100 kN	17394	17 lb	\$970.00
Options			
Conduit adapter, 1/2-14 NPT	17703	1 lb	\$50.00

30 ft Cables

Load Rating	Part #	Est. Weight	Price
NTEP Certified/OIML			
5 kN	100164	4 lb	\$821.00
10 kN	100165	4 lb	\$821.00
23 kN	100166	4 lb	\$821.00
50 kN	100167	7 lb	\$970.00
Non-NTEP Certified/Non-OIML			
5 kN	100169	4 lb	\$747.00
10 kN	100170	4 lb	\$747.00
23 kN	100171	4 lb	\$747.00
50 kN	100173	7 lb	\$832.00
100 kN	100168	17 lb	\$1,033.00

Dimensions

Rated Capacity	C	C1	H	H1	H2	H3	H5	L	L1	L2	L3	L4	W
kN/in													
5 to 23	0.53	0.71	1.42	0.39	0.59	1.19	0.16	6.10	0.59	1.38	3.15	2.98	1.18
50	0.85	0.98	1.93	0.58	0.81	1.62	0.31	7.48	0.83	1.57	4.13	3.66	1.69
100	1.06	1.18	2.87	0.82	1.21	2.43	—	9.65	1.19	1.97	5.31	4.72	2.36



Weigh Module Available

- RICE LAKE WEIGHING SYSTEMS
Paramounts® HE..... page 26
- RICE LAKE WEIGHING SYSTEMS
Paramounts® HS..... page 39

Specifications

Full Scale Output:

2.0 mV/V
mV/V/ohm calibration

Output Resistance:

1,000 (± 2) ohm

Input Resistance:

1,100 (± 50) ohm

Material/Finish:

Stainless steel

Temperature:

Compensated range
14 °F to 104 °F (-10 °C to 40 °C)
Operating range
0 °F to 150 °F (-18 °C to 65 °C)

Seal Type:

Hermetically sealed, IP69K

Safe Overload:

200% full scale

Safe Sideload:

100% full scale

Rated Excitation:

5 to 10 VDC (15 V maximum)

Combined Error:

± 0.03% full scale

Insulation Resistance:

10,000 megohm

Deflection at Capacity:

10 kN: 0.012 in
23 kN: 0.02 in
50 kN: 0.012 in
100 kN: 0.016 in

Cable Length:

5 to 23 kN: 10 ft
50 to 100 kN: 15 ft
Also available in 30 ft.

Cable Diameter:

0.196 in
Polyurethane jacket

Cable Color Code:

Green +Excitation
Black -Excitation
White +Signal
Red -Signal
Yellow Shield

Warranty:

One-year limited

Approvals:

FM
NTEP
OIML

SB5

Stainless Steel, Environmentally Sealed, NTEP Certified 1:5,000 Class III Multiple Cell, OIML C3, IP67



Picture is a representation of actual product

Approvals



Order Information

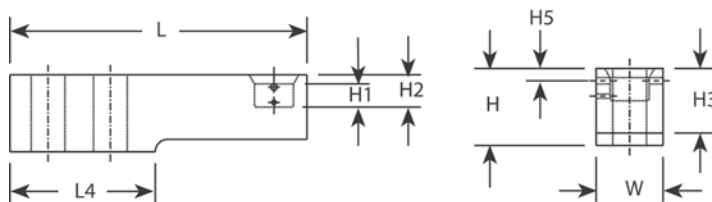
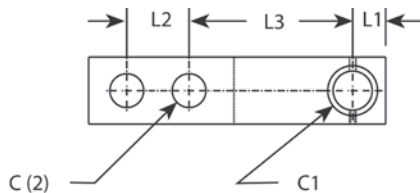
Load Rating	Part #	Est. Weight	Price
NTEP Certified/OIML			
5 kN	33387	3 lb	\$430.00
10 kN	33388	3 lb	\$430.00
20 kN	33389	3 lb	\$430.00
50 kN	33390	7 lb	\$560.00
Non-NTEP Certified/Non-OIML			
100 kN	33391	16 lb	\$853.00

30 ft Cables

Load Rating	Part #	Est. Weight	Price
NTEP Certified/OIML			
5 kN	100174	5 lb	\$487.00
10 kN	100175	5 lb	\$487.00
20 kN	100176	5 lb	\$487.00
50 kN	100177	7 lb	\$720.00
Non-NTEP Certified/Non-OIML			
100 kN	100178	16 lb	\$932.00

Dimensions

Rated Capacity	C	C1	H	H1	H2	H3	H5	L	L1	L2	L3	L4	W
kN/in													
5 to 20	0.53	0.71	1.42	0.39	0.59	1.19	0.16	6.10	0.59	1.38	3.15	2.98	1.18
50	0.85	0.98	1.93	0.58	0.81	1.62	0.31	7.48	0.83	1.57	4.13	3.66	1.69
100	1.06	1.18	2.87	0.82	1.21	2.43	—	9.65	1.19	1.97	5.31	4.72	2.36

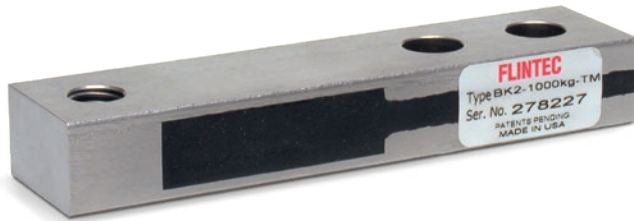


Weigh Module Available

RICE LAKE WEIGHING SYSTEMS
Paramounts® EP.....page 37

Specifications

- Full Scale Output:**
2.0 mV/V
mV/V/ohm calibration
- Output Resistance:**
1,000 (± 2) ohm
- Input Resistance:**
1,100 (± 50) ohm
- Material/Finish:**
Stainless steel
- Temperature:**
Compensated range
14 °F to 104 °F (-10 °C to 40 °C)
Operating range
0 °F to 150 °F (-18 °C to 65 °C)
- Seal Type:**
Environmentally sealed, IP67
- Safe Overload:**
200% full scale
- Safe Sideload:**
100% full scale
- Rated Excitation:**
5 to 10 VDC (15 V maximum)
- Combined Error:**
± 0.03% full scale
- Insulation Resistance:**
10,000 megohm
- Deflection at Capacity:**
5 kN: 0.008 in
10 kN: 0.012 in
20 kN: 0.02 in
50 kN: 0.012 in
- Cable Length:**
5 to 20 kN: 10 ft
50 to 100 kN: 15 ft
Also available in 30 ft
- Cable Diameter:**
0.196 in
Polyurethane jacket
- Cable Color Code:**
Green +Excitation
Black -Excitation
White +Signal
Red -Signal
Yellow Shield
- Warranty:**
One-year limited
- Approvals:**
FM
NTEP
OIML



Picture is a representation of actual product.

Approvals



Available upon request

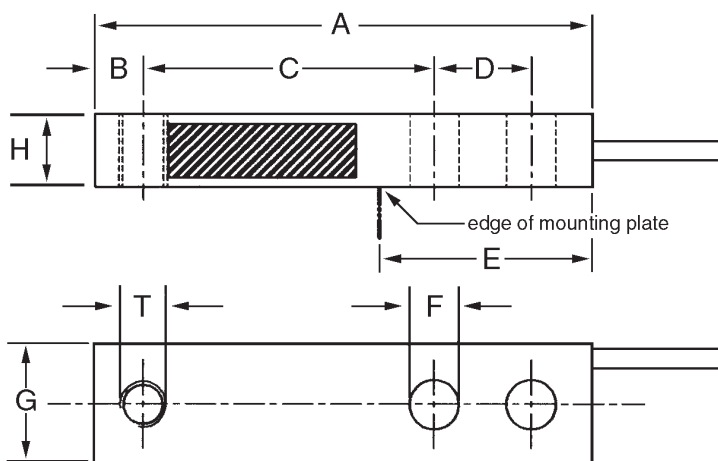
Order Information

Load Rating	Part #	Est. Weight	Price
NTEP Certified			
500 kg	84839	2lb	\$243.00
1,000 kg	84840	2lb	\$243.00
2,000 kg	84841	2lb	\$243.00
Non-NTEP Certified			
200 kg	84838	2lb	\$243.00

Dimensions

Rated Capacity	A	B	C	D	E	F	G	H	T*
kg/mm									
200	128.5	12.7	76.2	25.4	53.8	13(2x)	31.8	16.1	1/2-20 UNF
500	128.5	12.7	76.2	25.4	53.8	13(2x)	31.8	16.1	1/2-20 UNF
1,000	128.5	12.7	76.2	25.4	53.8	13(2x)	31.8	19.1	1/2-20 UNF
2,000	130.2	12.7	76.2	25.4	53.8	13(2x)	31.8	25.4	1/2-20 UNF

*Metric thread is available



Specifications

Full Scale Output:

2.0 mV/V
mV/V/ohm calibration

Output Resistance:

1,000 (± 2) ohm

Input Resistance:

1,100 (± 50) ohm

Material/Finish:

Stainless steel

Temperature:

Compensated range
14 °F to 104 °F (-10 °C to 40 °C)
Operating range
0 °F to 150 °F (-18 °C to 65 °C)

Seal Type:

Environmentally sealed, IP67

Safe Overload:

200% full scale

Safe Sideload:

100% full scale

Rated Excitation:

5 to 10 VAC/DC (15 V maximum)

Combined Error:

0.030%

Insulation Resistance:

5,000 megohm

Cable Length:

10 ft

Also available in 30 ft

Cable Diameter:

0.196 in

Polyurethane jacket

Cable Color Code:

Green +Excitation
Black -Excitation
White +Signal
Red -Signal
Yellow Shield

Warranty:

One-year limited

Approvals:

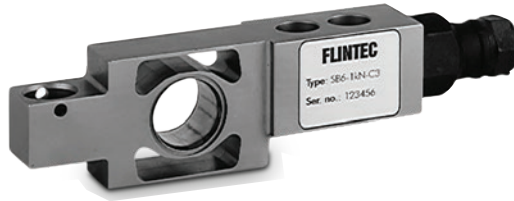
NTEP

EX

OIML (Available upon request)

SB6

Stainless Steel, Hermetically Sealed, OIML C3, IP68



Picture is a representation of actual product.

Approvals

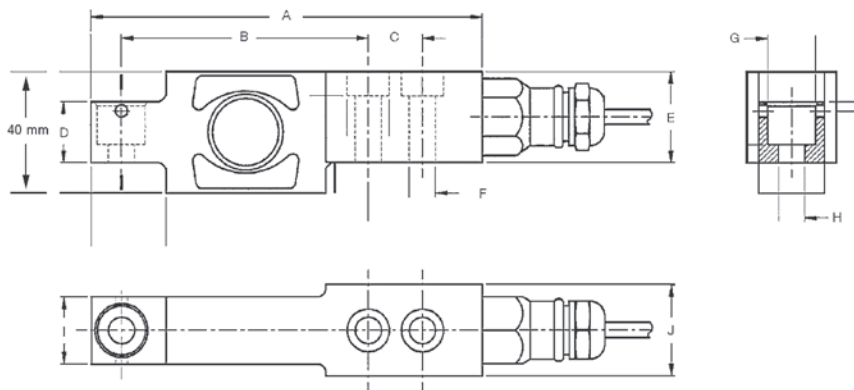


Order Information

Load Rating	Part #	Est. Weight	Price
0.2 kN	41163	3 lb	\$556.00
0.5 kN	41164	3 lb	\$556.00
1 kN	41165	3 lb	\$556.00
2 kN	41166	3 lb	\$556.00

Dimensions

Rated Capacity	A	B	C	D	E	F	G	H	I	J
kN/mm										
0.2 to 2	130.0	82.0	18.0	20.0	30.0	8.7	16.0	8.7	22.0	30.0



Specifications

- Full Scale Output:**
2.0 mV/V
mV/V/ohm calibration
- Output Resistance:**
1,000 (± 2) ohm
- Input Resistance:**
1,100 (± 50) ohm
- Material/Finish:**
Stainless steel
- Temperature:**
Operating range
0 °F to 150 °F (-18 °C to 65 °C)
- Seal Type:**
Hermetically sealed, IP68
- Safe Overload:**
200% full scale
- Safe Sideload:**
100% full scale
- Rated Excitation:**
5 to 10 VDC (15 V maximum)
- Combined Error:**
0.01% full scale
- Insulation Resistance:**
5,000 megohm
- Cable Length:**
10 ft
- Cable Diameter:**
0.196 in
Polyurethane jacket
- Cable Color Code:**
Green +Excitation
Black -Excitation
White +Signal
Red -Signal
Yellow Shield
- Warranty:**
One-year limited
- Approvals:**
FM
OIML

FLINTEC



Picture is a representation of actual product.

Approvals

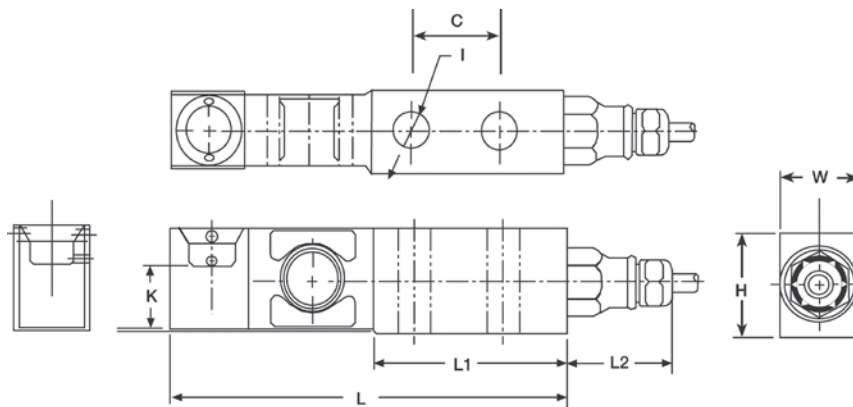


Order Information

Load Rating	Part #	Est. Weight	Price
2.3 kN	38215	4 lb	\$1,075.00
Options			
Conduit adapter, 1/2-14 NPT	17703	1 lb	\$50.00

Dimensions

Rated Capacity	L	L1	L2	H	W	I	K	C
kN/in								
2.3	6.10	2.98	1.60	1.58	0.59	0.54	0.99	1.39



Weigh Module Available

RICE LAKE WEIGHING SYSTEMS

Paramounts® HE..... page 26

RICE LAKE WEIGHING SYSTEMS

Paramounts® HS..... page 39

Specifications

Full Scale Output:

2.0 mV/V

Output Resistance:

1,000 (± 2) ohm

Input Resistance:

1,100 (± 50) ohm

Material/Finish:

Stainless steel

Temperature:

Operating range

0 °F to 150 °F (-18 °C to 65 °C)

Seal Type:

Hermetically sealed, IP69K

Safe Overload:

200% full scale

Safe SideLoad:

100% full scale

Rated Excitation:

5 to 10 VDC (15 V maximum)

Nonlinearity:

0 to -0.03% full scale

Hysteresis:

0 to +0.05% full scale

Insulation Resistance:

10,000 megohm

Deflection at Capacity:

0.008 in

Cable Length:

10 ft

Cable Diameter:

0.196 in

Polyurethane jacket

Cable Color Code:

Green +Excitation

Black -Excitation

White +Signal

Red -Signal

Yellow Shield

Warranty:

One-year limited

Approvals:

OIML

SB14

Stainless Steel, Hermetically Sealed, NTEP Certified 1:5,000 Class III Multiple Cell, IP69K



Picture is a representation of actual product.

Approvals



Available upon request

Order Information-CU Version*

Load Rating	Part#	Est. Weight	Price
500 lb	41167	3 lb	\$493.00
1,000 lb	41168	3 lb	\$493.00
2,500 lb	41169	3 lb	\$493.00
5,000 lb	41170	3 lb	\$493.00

*CU versions have a counterbore/unified thread 1/2-20UNF

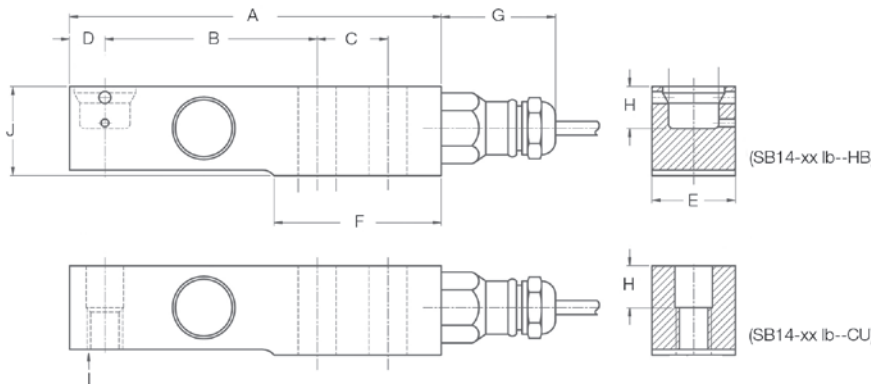
Order Information-HB Version**

Load Rating	Part#	Est. Weight	Price
500 lb	119556	3 lb	\$493.00
1,000 lb	119557	3 lb	\$493.00
2,500 lb	119558	3 lb	\$493.00
5,000 lb	119559	3 lb	\$493.00

**HB versions have a blind load hole

Dimensions

Rated Capacity	A	B	C	D	E	F	G	H	I	J
500-5,000 lb/in	5.25	3.00	1.00	0.50	1.18	2.35	1.61	0.59	1/2-20 UNF	1.22



Interchangeable Products

FAIRBANKS®
LCF-HR4060-XX

Specifications

- Full Scale Output:**
2.0 mV/V
mV/V/ohm calibration
- Output Resistance:**
1,000 (± 2) ohm
- Input Resistance:**
1,100 (± 50) ohm
- Material/Finish:**
Stainless steel
- Temperature:**
Compensated range
14 °F to 104 °F (-10 °C to 40 °C)
Operating range
0 °F to 150 °F (-18 °C to 65 °C)
- Seal Type:**
Hermetically sealed, IP69K
- Safe Overload:**
200% full scale
- Safe Sideload:**
100% full scale
- Rated Excitation:**
5 to 10 VDC (15 V maximum)
- Insulation Resistance:**
5,000 megohm
- Combined Error:**
± 0.03% full scale
- Cable Length:**
10 ft
- Cable Diameter:**
0.196 in
Polyurethane jacket
- Cable Color Code:**
Green +Excitation
Black -Excitation
White +Signal
Red -Signal
Yellow Shield
- Warranty:**
One-year limited
- Approvals:**
FM
NTEP
OIML (Available upon request)

Stainless Steel, Hermetically Sealed, NTEP Certified 1:10,000 Multiple Cell, OIML C3, IP68



Picture is a representation of actual product.

Approvals**Order Information**

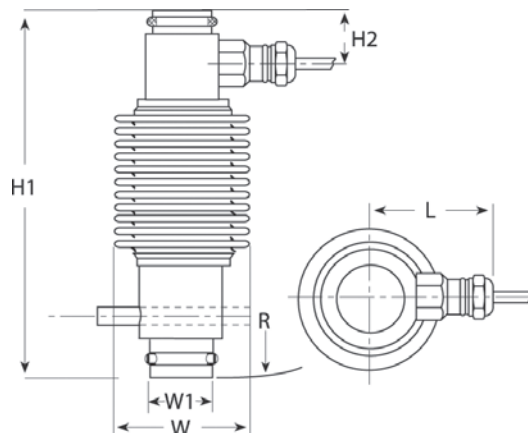
Load Rating	Part #	Est. Weight	Price
250 kN*	36217	8 lb	\$858.00
400 kN	36218	10 lb	\$1,457.00
50,000 lb**	170734	8 lb	\$1,075.00
Accessories			
Conduit adapter, 1/2-14 NPT	17703	1 lb	\$50.00
Load cup**, upper (250 kN only)	71602	-	\$185.00
Load cup**, lower (250 kN only)	44290	-	\$181.00
Anti-rotation pin	214044	-	\$10.00

*For Mettler-Toledo® digital to analog conversion: requires replacement of all system load cells, junction box, and instrumentation; consult factory. Kit on page 78.

**1,000ohm bridge

Dimensions

Rated Capacity	H1	H2	L	R	W	W1
kN/in						
250	7.56	1.22	2.44	10.98	2.83	1.46
400	8.86	1.34	2.72	14.02	3.35	1.46
50,000 lb	7.56	1.22	2.44	10.98	2.83	1.46

**Interchangeable Products**

FAIRBANKS®

63215 LCF-HR4020-1

FAIRBANKS®

82052**Specifications****Full Scale Output:**

2.0 mV/V
mV/V/ohm calibration

Output Resistance:

351 (± 1) ohm
P/N 170734 1,000 (± 2) ohm

Input Resistance:

400 (± 15) ohm
P/N 170734 1,100 (± 50) ohm

Material/Finish:

Stainless steel

Temperature:

Compensated range
14 °F to 104 °F (-10 °C to 40 °C)
Operating range
0 °F to 150 °F (-18 °C to 65 °C)

Seal Type:

Hermetically sealed, IP68

Safe Overload:

200% full scale

Safe Sideload:

100% full scale

Rated Excitation:

5 to 10 VDC (15 V maximum)

Combined Error:

± 0.02% full scale

Insulation Resistance:

5,000 megohm

Cable Length:

250 kN: 35 ft
400 kN: 60 ft
50,000 lb: 15 ft overbraided

Cable Diameter:

0.196 in
Polyurethane jacket

Cable Color Code:

Green +Excitation
Black -Excitation
White +Signal
Red -Signal
Yellow Shield

Warranty:

One-year limited

Approvals:

FM
NTEP
OIML

RC3

Stainless Steel, Hermetically Sealed, NTEP Certified 1:10,000 Class III Multiple Cell, OIML C3, IP69K



Picture is a representation of actual product.

Approvals



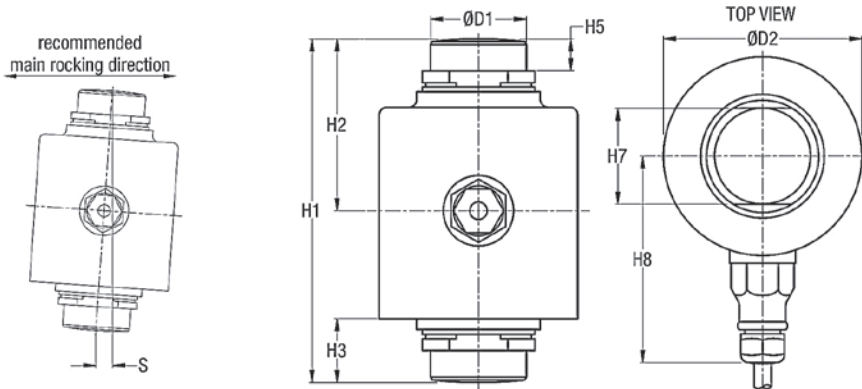
Order Information

Load Rating	Part #	Est. Weight	Price
7.5 t	168944	3 lb	\$795.00
15 t	168946	3 lb	\$795.00
22.5 t	168947	3 lb	\$795.00
30 t	84203	7 lb	\$1,007.00
40 t	84204	9 lb	\$1,007.00
50 t	84205	10 lb	\$1,282.00
Options			
Upper cup (50 t) alloy steel	111365	5 lb	\$143.00
Lower cup (50 t) alloy steel	111366	5 lb	\$143.00
Upper cup (50 t) stainless steel	154107	5 lb	\$181.00
Lower cup (50 t) stainless steel	154106	5 lb	\$181.00

The kits for the RC3 cells are on page 79. Cups 111365 and 111366 are used in kits 129844 and 111367. Cups 154107 and 154106 are used in kits 154347, 154348 and 154349.

Dimensions

Rated Capacity	H1	H2	H3	H5	H7	H8	D1	D2
t/in								
7.5 to 22.5	3.50	1.73	0.67	0.43	1.10	2.95	1.10	2.56
30	5.51	2.76	1.20	0.51	1.55	3.31	1.55	3.19
40	5.91	2.95	1.22	0.51	1.55	3.31	1.55	3.19
50	7.01	3.50	1.26	0.67	1.73	3.71	1.73	3.90



Interchangeable Products

FAIRBANKS®
30t 70510 LCF-HR4020-2A

Specifications

Full Scale Output:
2.0 mV/V
mV/V/ohm calibration

Output Resistance:
1,000 (± 2) ohm

Input Resistance:
1,150 (± 50) ohm

Material/Finish:
Stainless steel

Temperature:
Compensated range
14 °F to 104 °F (-10 °C to 40 °C)
Operating range
0 °F to 150 °F (-18 °C to 65 °C)

Seal Type:
Hermetically sealed, IP69K

Safe Overload:
200% full scale

Safe Sideload:
200% full scale

Rated Excitation:
5 to 10 VDC (15 V maximum)

Combined Error:
0.02% full scale

Insulation Resistance:
5,000 megohm

Cable Length:
7.5 to 22.5 t: 40 ft
30 to 50 t: 18 m

Cable Diameter:
0.307 in
Polyurethane jacket

Cable Color Code:
Green +Excitation
Black -Excitation
White +Signal
Red -Signal
Yellow Shield

Warranty:
One-year limited

Approvals:
FM
NTEP
OIML



Picture is a representation of actual product.

Approvals

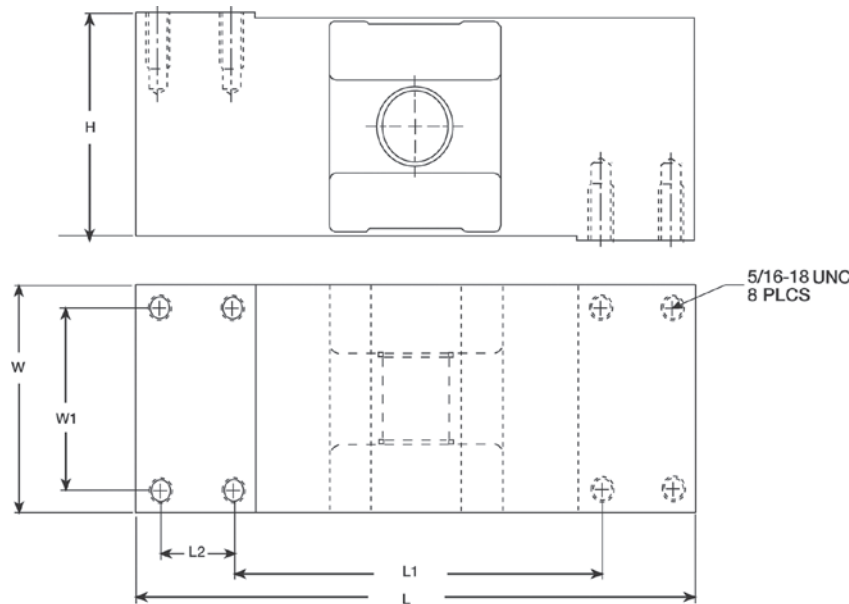


Order Information

Load Rating	Part #	Est. Weight	Price
50 kg	45274	15 lb	\$900.00
100 kg	45275	15 lb	\$900.00
250 kg	45276	15 lb	\$900.00
500 kg	45277	15 lb	\$900.00
1,000 kg	45278	15 lb	\$900.00
Options			
Conduit adapter, 1/2-14 NPT	17703	1 lb	\$50.00

Dimensions

Rated Capacity	L	L1	L2	W	W1	H
kg/mm						
50 to 1,000	190.5	124.8	24.9	74.9	59.9	74.9



Interchangeable Products

- RICE LAKE WEIGHING SYSTEMS
RLPWM12.....page 159
- RICE LAKE WEIGHING SYSTEMS
RL1250*
- VPG TEDEA-HUNTLEIGH®
1250* page 322

* Environmentally sealed

Specifications

Full Scale Output:

2.0 mV/V

Output Resistance:

960 (± 50) ohm

Input Resistance:

1,100 (± 50) ohm

Material/Finish:

Stainless steel

Temperature:

Compensated range

14 °F to 104 °F (-10 °C to 40 °C)

Operating range

0 °F to 150 °F (-18 °C to 65 °C)

Seal Type:

Hermetically sealed, IP69K

Safe Overload:

200% full scale

Safe Sideload:

100% full scale

Rated Excitation:

5 to 10 VDC (20 V maximum)

Combined Error:

0.02% full scale

Insulation Resistance:

5,000 megohm

Deflection at Capacity:

0.015 in

Cable Length:

10 ft

Cable Diameter:

0.196 in

Polyurethane jacket

Cable Color Code:

Green +Excitation

Black -Excitation

White +Signal

Red -Signal

Yellow Shield

Max Platform Size:

39 × 39 in

Warranty:

One-year limited

Approvals:

FM

NTEP

OIML

PC1

Stainless Steel, Environmentally Sealed, NTEP Certified 1:4,500 Class III Single Cell, OIML C3, IP67



Picture is a representation of actual product.

Approvals

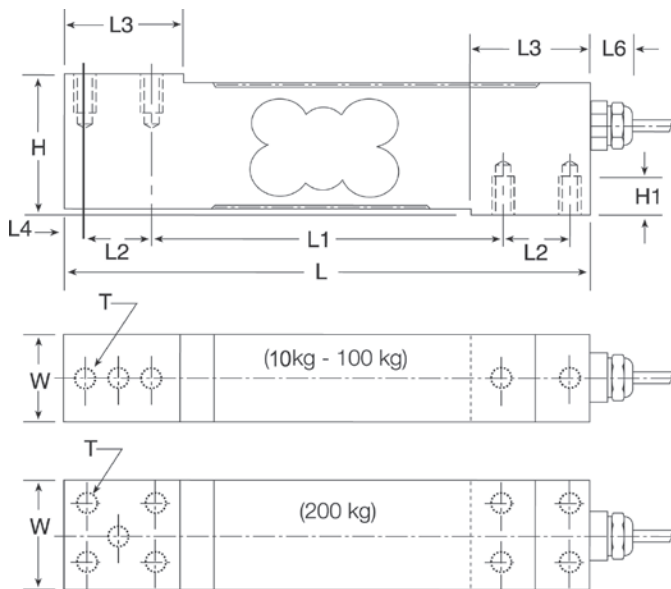


Order Information

Load Rating	Part #	Est. Weight	Price
NTEP Certified			
10 kg	41821	3 lb	\$328.00
15 kg	36219	3 lb	\$328.00
30 kg	36220	3 lb	\$328.00
50 kg	36221	3 lb	\$328.00
75 kg	36222	3 lb	\$328.00
Non-NTEP Certified			
100 kg	36223	3 lb	\$328.00
200 kg	36224	4 lb	\$492.00

Dimensions

Rated Capacity	H	H1	L	L1	L2	L3	L4	L6	W	T
kg/mm										
10 to 100	40.0	10.0	150.0	100.0	19.0	32.0	6.0	20.0	25.4	1/4-20 UNC x 19.1DP
200	40.0	10.0	150.0	100.0	19.0	32.0	6.0	20.0	38.1	1/4-20 UNC x 19.1DP



Interchangeable Products

RICE LAKE WEIGHING SYSTEMS
RL1385.....page 165

Specifications

- Full Scale Output:**
2.0 mV/V
- Output Resistance:**
330 (± 25) ohm
- Input Resistance:**
390 (± 20) ohm
- Material/Finish:**
Stainless steel
- Temperature:**
Compensated range
14 °F to 104 °F (-10 °C to 40 °C)
Operating range
0 °F to 150 °F (-18 °C to 65 °C)
- Seal Type:**
Environmentally sealed, IP67
- Safe Overload:**
200% full scale
- Safe Sideload:**
100% full scale
- Rated Excitation:**
5 to 10 VDC (15 V maximum)
- Combined Error:**
0.02% full scale
- Insulation Resistance:**
5,000 megohm
- Cable Length:**
10 ft
- Cable Diameter:**
0.196 in
Polyurethane jacket
- Cable Color Code:**
Green +Excitation
Black -Excitation
White +Signal
Red -Signal
Yellow Shield
- Max Platform Size:**
18 x 18 in
- Warranty:**
One-year limited
- Approvals:**
FM
NTEP
OIML



Picture is a representation of actual product.

Approvals

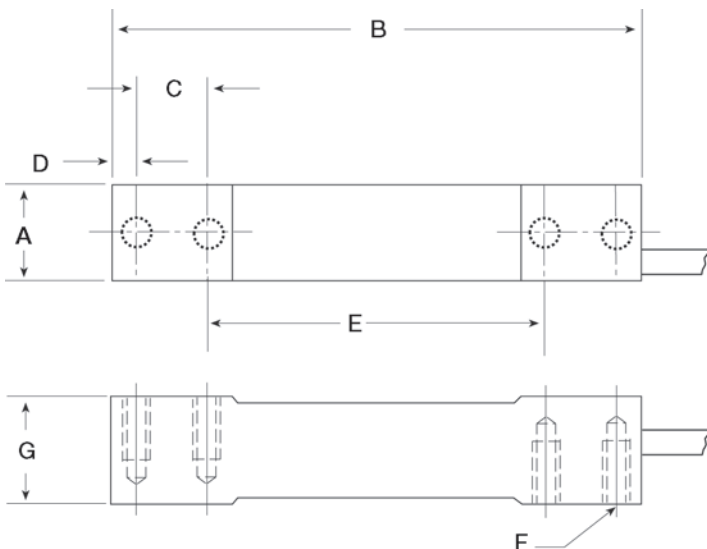


Order Information

Load Rating	Part #	Est. Weight	Price
7 kg	202686	2 lb	\$328.00
10 kg	202687	2 lb	\$328.00
30 kg	202688	2 lb	\$328.00
60 kg	202689	2 lb	\$328.00
100 kg	202690	2 lb	\$328.00
150 kg	202691	2 lb	\$328.00

Dimensions

Rated Capacity	A	B	C	D	E	F	G
kg/mm							
7 to 10	18.2	140.0	19.0	6.4	88.9	1/4-20 UNC	30.0
30 to 60	24.5	140.0	19.0	6.4	88.9	1/4-20 UNC	30.0
100 to 150	30.8	140.0	22.4	7.8	79.3	3/8-16 UNC	30.0



Interchangeable Products

- RICE LAKE WEIGHING SYSTEMS
- RL1380**..... page 164
- HBK
- PWS**..... page 231

Specifications

- Full Scale Output:**
2 mV/V
- Output Resistance:**
350 (± 10) ohm
- Input Resistance:**
385 (± 15) ohm
- Material Finish:**
Stainless Steel
- Temperature Compensation:**
Compensated Range
14 °F to 104 °F (-10 °C to 40 °C)
Operating Range
0 °F to 150 °F (-18 °C to 65 °C)
- Seal Type:**
Environmentally Sealed, IP67
- Safe Overload:**
150% full scale
- Rated Excitation:**
5 to 10 VDC
- Insulation Resistance:**
5,000 megohm
- Max Platform Size:**
7 to 30 kg: 350 × 350 mm
60 to 150 kg: 450 × 450 mm
- Combined Error:**
0.02% full scale
- Cable Length:**
10 ft
- Cable Diameter:**
0.140 in
Polyurethane jacket
- Color Code:**
Green +Excitation
Black -Excitation
White +Signal
Red -Signal
Yellow Shield
- Warranty:**
One-year limited
- Approvals:**
FM
NTEP
OIML



PC4

Stainless Steel, Hermetically Sealed, NTEP Certified 1:5,000 Class III Single Cell, OIML C3, IP69K



Picture is a representation of actual product.

Approvals

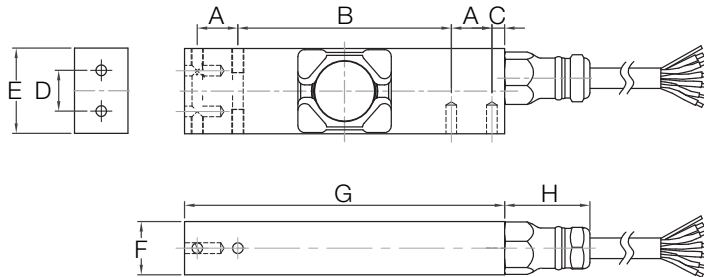


Order Information

Load Rating	Part #	Est. Weight	Price
10 kg	202692	3 lb	\$630.00
20 kg	202693	3 lb	\$630.00
50 kg	202694	3 lb	\$630.00
100 kg	202695	3 lb	\$630.00

Dimensions

Rated Capacity	A	B	C	D	E	F	G	H
kg/mm								
10 to 100	19.0	100.0	6.0	19.1	40.0	25.0	150.0	40.0



Interchangeable Products

RICE LAKE WEIGHING SYSTEMS

RLPWM15HE.....page 153

HBK

PW15AH*page 230

*350 Ohm

Specifications

Full Scale Output:

2 mV/V

Output Resistance:

960 (± 50) ohm

Input Resistance:

1100 (± 50) ohm

Material Finish:

Stainless Steel

Temperature Compensation:

Compensated Range
14 °F to 104 °F (-10 °C to 40 °C)
Operating Range
0 °F to 150 °F (-18 °C to 65 °C)

Seal Type:

Hermetically sealed, IP69K

Safe Overload:

150% full scale

Rated Excitation:

5 to 10 VDC

Insulation Resistance:

> 5,000 megohm

Max Platform Size:

500 × 400 mm

Combined Error:

0.02% full scale

Cable Length:

10 ft

Color Code:

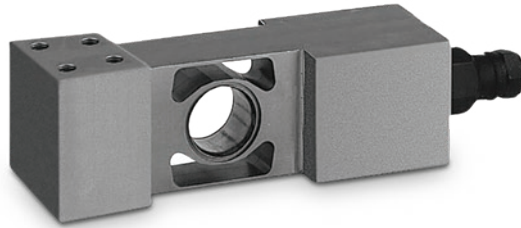
Green +Excitation
Black -Excitation
White +Signal
Red -Signal
Blue +Sense
Brown -Sense
Yellow Shield

Warranty:

One-year limited

Approvals:

FM
NTEP
OIML



Picture is a representation of actual product.

Approvals

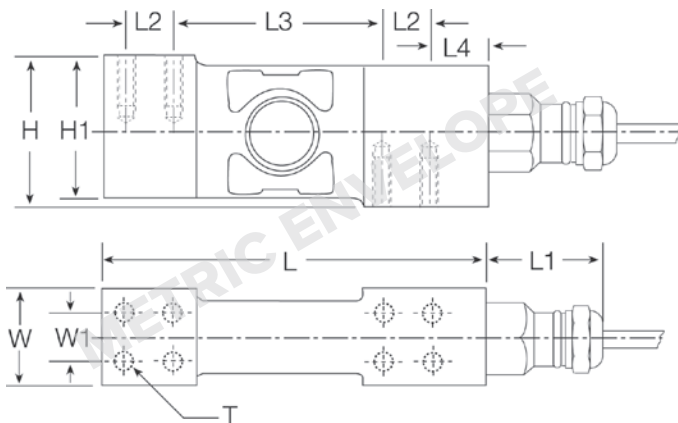


Order Information

Load Rating	Part #	Est. Weight	Price
20 kg	36225	3 lb	\$640.00
50 kg	36226	3 lb	\$640.00
100 kg	36227	3 lb	\$640.00
200 kg	36228	3 lb	\$640.00

Dimensions

Rated Capacity	H	H1	L	L1	L2	L3	L4	W	W1	T
kg/mm										
20 to 200	48.0	45.5	123.0	41.0	15.2	67.6	17.8	30.1	15.2	8 × M6/15 DP



Interchangeable Products

RICE LAKE WEIGHING SYSTEMS
RLPC6 page 152

Specifications

- Full Scale Output:**
2.0 mV/V
- Output Resistance:**
960 (± 50) ohm
- Input Resistance:**
1,100 (± 50) ohm
- Material/Finish:**
Stainless steel
- Temperature:**
Compensated range
14 °F to 104 °F (-10 °C to 40 °C)
Operating range
0 °F to 150 °F (-18 °C to 65 °C)
- Seal Type:**
Hermetically sealed, IP69K
- Safe Overload:**
200% full scale
- Safe Sideload:**
100% full scale
- Rated Excitation:**
5 to 10 VDC (15 V maximum)
- Combined Error:**
0.02% full scale
- Insulation Resistance:**
5,000 megohm
- Cable Length:**
3 m
- Cable Color Code:**
Green +Excitation
Black -Excitation
White +Signal
Red -Signal
Yellow Shield
- Max Platform Size:**
24 × 24 in
- Warranty:**
One-year limited
- Approvals:**
FM
NTEP
OIML

FLINTEC



Picture is a representation of actual product.

Approvals

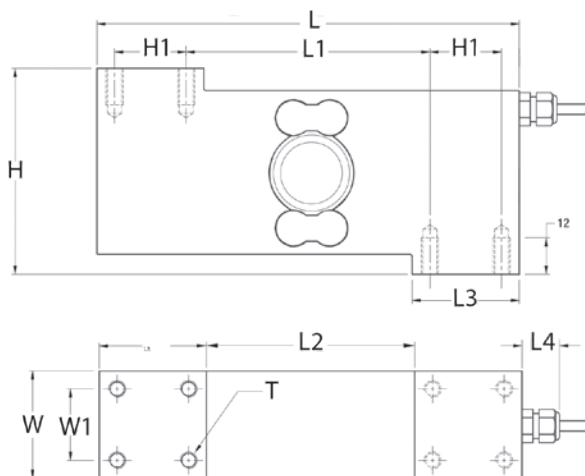


Order Information

Load Rating	Part #	Est. Weight	Price
100 kg	161719	6 lb	\$742.00
250 kg	161720	6 lb	\$742.00
500 kg	161721	6 lb	\$742.00

Dimensions

Rated Capacity	H	H1	L	L1	L2	L3	L4	W	W1	T
kg/in										
100 to 500	2.88	1.00	5.91	3.41	2.92	1.50	0.63	1.50	1.00	M8



Interchangeable Products

VPG TEDEA-HUNTLEIGH®

1510..... page 324

Specifications

Full Scale Output:

2 mV/V ±5%

Output Resistance:

350 (± 10) ohm

Input Resistance:

380 (± 20) ohm

Material/Finish:

Stainless steel construction with electro-polished finish

Temperature:

Operating range
0 °F to 150 °F (-18 °C to 65 °C)

Seal Type:

Hermetically sealed, IP69K

Safe Overload:

150% full scale

Rated Excitation:

5 to 15 VDC

Insulation Resistance:

5,000 megohm

Max Platform Size:

Up to 600 × 600 mm

Cable Length:

3 m

Cable Color Code:

- Green +Excitation
- Black -Excitation
- White +Signal
- Red -Signal
- Blue +Sense
- Brown -Sense
- Yellow Shield

Warranty:

One-year limited

Approvals:

OIML



Picture is a representation of actual product.

Approvals

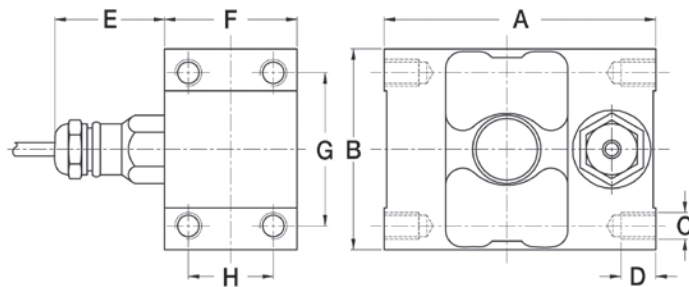


Order Information

Load Rating	Part #	Est. Weight	Price
150 kg	41176	2lb	\$1,160.00

Dimensions

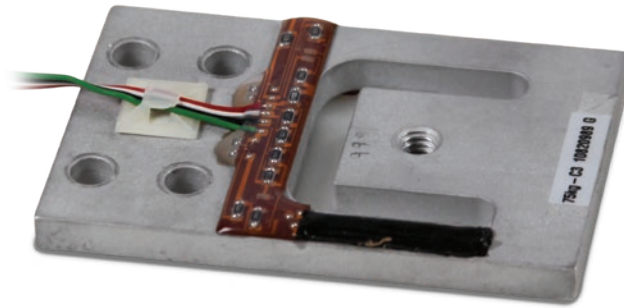
Rated Capacity	A	B	C	D	E	F	G	H
kg/mm								
150	101.6	75.0	M10	13.0	41.0	49.5	57.2	31.8



Specifications

- Full Scale Output:**
2.0 mV/V
- Output Resistance:**
960 (± 50) ohm
- Input Resistance:**
1,100 (± 50) ohm
- Material/Finish:**
Stainless steel
- Temperature:**
Operating range
0 °F to 150 °F (-18 °C to 65 °C)
- Seal Type:**
Hermetically sealed, IP68
- Safe Overload:**
200% full scale
- Safe Sideload:**
100% full scale
- Rated Excitation:**
5 to 10 VDC (15 V maximum)
- Insulation Resistance:**
5,000 megohm
- Combined Error:**
0.02% full scale
- Cable Length:**
10 ft
- Cable Diameter:**
0.196 in
Polyurethane jacket
- Cable Color Code:**
Green +Excitation
Black -Excitation
White +Signal
Red -Signal
Blue +Sense
Brown -Sense
Yellow Shield
- Warranty:**
One-year limited
- Approvals:**
FM





Interchangeable Products

RICE LAKE WEIGHING SYSTEMS
RLBLP..... page 172

Specifications

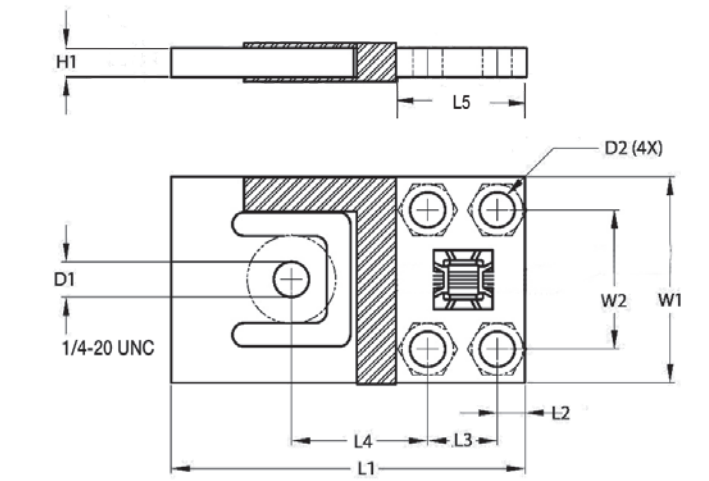
- Full Scale Output:**
1 mV/V
mV/V/ohm calibration
- Output Resistance:**
1,000 (± 10) ohm
- Input Resistance:**
1,180 (± 50) ohm
- Material/Finish:**
Aluminum
- Temperature:**
Operating range
0 °F to 150 °F (-18 °C to 65 °C)
- Seal Type:**
Environmentally sealed, IP65
- Safe Overload:**
150% full scale
- Rated Excitation:**
5 to 10 VDC
- Combined Error:**
0.060% full scale
- Insulation Resistance:**
5,000 megohm
- Cable Length:**
1.5 m
- Cable Color Code:**
Green +Excitation
Black -Excitation
White +Signal
Red -Signal
Yellow Shield
- Warranty:**
One-year limited

Order Information

Load Rating	Part #	Est. Weight	Price
15 kg	96361	1 lb	\$85.00
37.5 kg	96362	1 lb	\$90.00
75 kg	96363	1 lb	\$96.00
150 kg	96364	1 lb	\$108.00

Dimensions

Rated Capacity	L1	L2	L3	L4	L5	W1	W2	H1	D1	D2	Deflection (mm) at E max
kg/mm											
15	70.0	4.9	14.0	28.0	23.7	39.0	27.8	4.1	7.6	5.1	0.3
37.5	76.2	6.0	15.0	29.3	27.0	44.5	30.0	4.8	7.6	6.6	0.4
75	84.4	6.4	15.0	34.0	27.7	54.8	30.0	6.4	7.6	6.6	0.4
150	107.3	7.8	22.9	45.9	38.4	69.9	44.5	7.9	9.1	8.1	0.6



FLINTEC