

Hardware and Accessories

TABLE OF CONTENTS		
HARDWARE AND ACCESSORIES	367	
LOAD CELL MOUNTING HARDWARE		
SAFETY GUIDELINES	368	
MOUNTING ASSEMBLY		
COMPONENT IDENTIFICATION	369	
JAM NUTS	369	
EYE NUTS	370	
CLEVIS MOUNT ASSEMBLIES	370	
COUPLING NUTS	370	
LOAD CELL EYE BOLTS	371	
ROD END BALL JOINTS	372	
CONNECTING LINKS	372	
LOAD CELL ISOLATORS	373	
THREADED ADAPTORS	373	
ITCM HARDWARE KITS	374	
GROUNDING STRAP	375	
BALL BEARINGS	375	
LOAD RECEIVER PLATE	375	
LOAD CUPS	375	
WIRE ROPE ASSEMBLIES	376	
CARDINAL® WIRE ROPE ASSEMBLIES	376	
CUSTOM WIRE ROPES	376	
CUSTOM WIRE ROPE DEFINITION FORM	377	
SPHERICAL WASHER SETS	378	
LOAD CELL SPACERS	378	
LOAD BUTTON	378	
WELDLESS END LINKS	378	
LOAD BUTTON INSERT KIT	379	
FLINTEC™ ADJUSTABLE RUBBER FOOT	379	
SUREFOOT™	379	
BENCH SCALE FEET	379	
POLYURETHANE RUBBER LEVELING FEET	380	
CAPTURED BALL FLOOR SCALE LEVELING FEET	380	
LEVELING MOUNT	381	
LEVELING PADS	381	
LEVELING PAD STEMS	381	
ROUGHDECK® SCALE BASE	382	
SUMMIT® 3000 SCALE BASE	382	
FLOOR SCALE BASE	382	
COMPLETE CUSTOM CABLE SERVICES	383	
EL147, 6 WIRE	384	<i>Standard Load Cell Cable</i>
EL147RP PLUS, 6 WIRE	384	<i>Rodent Protection Load Cell Cable</i>
EL147HE, 6 WIRE	385	<i>Hostile Environment Load Cell Cable</i>
EL147IS, 6 WIRE	385	<i>Hazardous Environment Blue Jacket Load Cell Cable</i>
EL146, 4 WIRE	386	<i>Standard Load Cell Cable</i>
EL146HE, 4 WIRE	386	<i>Hostile Environment Load Cell Cable</i>
EL144 COMMUNICATIONS CABLE	387	
BCD CABLE	387	
FIBER-OPTIC CABLE	388	
SURVIVOR® EL620HE	388	<i>High Temperature Cable</i>
SURVIVOR® CABLE ARMOR	388	
METTLER TOLEDO® POWER CELL®	389	<i>Homerun Cable</i>
EL148HE METTLER TOLEDO®	389	<i>Replacement Power Cell Cable</i>
LOAD CELL CONDUIT ADAPTORS	389	
CORD GRIP ASSEMBLIES	390	
EL214 CABLE SPLICING KIT	390	
EL214T CABLE SPLICING KIT	390	
FLINTEC™ LOAD CELL CABLE	391	<i>Replacement Kits</i>
EL215 CABLE SPLICING KIT	391	
FIVE-POSITION CONNECTORS, SHELL PLUGS, RECEPTACLES	392	
SEVEN-POSITION CONNECTORS, SHELL PLUGS, RECEPTACLES	392	
SIX-POSITION CONNECTORS, SHELL PLUGS, RECEPTACLES	392	
T-STRIP MOLDING	393	
T-GRIP MOLDING	393	
ELECTRONIC SCALE TICKETS	394	<i>Create Your Own Custom Ticket</i>
MECHANICAL SCALE TICKETS	395	
PRINTER DUST COVERS	396	
PRINTER CABLES	397	
STATIC BRUSHES	398	
IONIZING STRIPS	398	
IONIZING STRIP ACCESSORIES	398	
CRIMPER AND LEAD SEALS	399	
DESICCANTS	399	
INDUSTRIAL CORROSION INHIBITOR	399	
STATIC CONTROL TABLE MAT AND FLOOR MAT	400	
STATIC CONTROL WRIST STRAP	400	
STATIC SHIELDING BAGS	401	
STATIC-SAFE SERVICE KIT	401	
RICE LAKE'S SCALE TECHNICIAN KITS	402	

The following product names, logos, brands, and other trademarks featured or referred to within this publication are the property of their respective trademark holders.

Load Cell Mounting Hardware Safety Guidelines

Install only load cell mounting hardware and assemblies that have been specifically designed for use in tank, hopper or hanging scale applications. Often, the use of an inferior-grade product results in component failure which risks equipment damage and personal injury. These simple suggestions are provided to help minimize your exposure to vessel scale installation hazards.

1. Estimating Gross Load

To select the correct load cell or load cell hardware for a given application, it is necessary to know the total weight on the scale—including the net weight of product, the tare weight of the vessel and the weight of the platform, tank or hopper, as appropriate.

2. Safe Load

Do not exceed the safe load figures listed in Rice Lake Weighing Systems' catalog for any load cell hardware. Where shock loads are present, it may be necessary to derate these safe load figures depending on the severity of the shock load.

3. Load Distribution

In multiple-load-cell applications, the weight must be evenly distributed between all cells.

4. Threaded Connections

Check that all threads of a threaded connection are in engagement. For example, an eye bolt screwed into an s-type load cell should protrude slightly on the opposite side.

5. Jam Nuts

All threaded connections must be locked with jam nuts against inadvertent disassembly. If a load is suspended from a single load cell, it is critical that the load cannot rotate as this may loosen the jam nut.

6. Wire Rope Assemblies

With wire rope assemblies, do not twist the rope during assembly or disassembly. For example, do not remove a frozen nut from one end of a rope assembly by holding the opposite end.

7. Attachment Points of a Load Cell Hardware Assembly

The attachment points of a load cell hardware assembly must be aligned properly and the assembly should be essentially vertical.

8. Swaying in a Suspended Vessel Scale

If there is excessive swaying in a suspended vessel scale, apply

horizontal checking to reduce the amplitude.

9. Safety Backup

If failure of one or more load cell hardware assemblies could cause injury or damage, a safety backup (safety chains, safety rods, etc.) must be used. The assemblies should be inspected routinely for damage, excessive wear or corrosion and replaced if necessary.

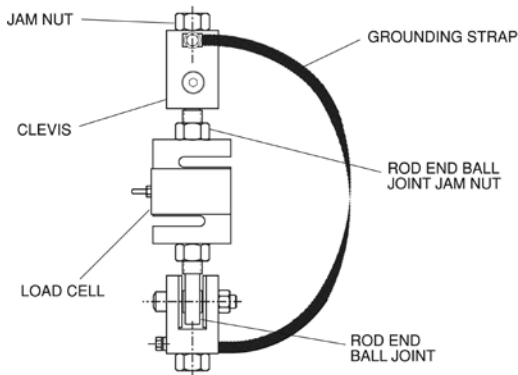
10. Hopper Scales: Guarding Against Contamination

With hopper scales, guard against contamination of the product being weighed in case of failure of the load cell or hardware assembly. For example, do not locate a wire rope assembly over a hopper scale where broken strands of wire could fall into the weighing vessel, contaminating the product being weighed.

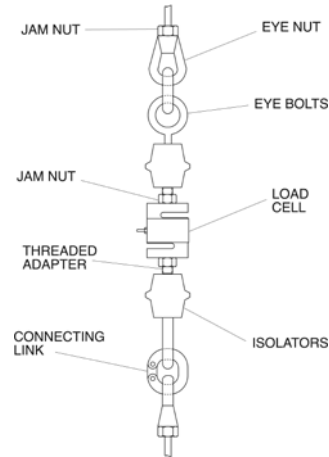
11. Selecting Steel Rod or Any Other Weight-Bearing Components

Select steel rod or any other weight-bearing components so the minimum tensile strength is at least four times the total weight carried by that component. Note that threaded rod is generally made from a low tensile-strength mild steel which should be checked for tensile strength before use in any suspended vessel scale.

Mounting Assembly Component Identification



ITCM Isolated Tension Cell Mounting Assembly



Conventional Tension Mounting Assembly

Our popular Isolated Tension Cell Mounting (ITCM) assembly and other conventional suspended weighing system assemblies employ a variety of serviceable hardware components. Rice Lake Weighing Systems offers a comprehensive selection of these items for all of your suspended vessel service needs. These drawings are designed to enable you to quickly identify and differentiate components from both of these common designs. All corresponding replacement hardware is located on the following pages.

Jam Nuts



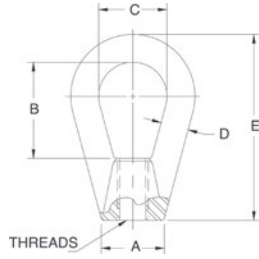
Standard Features

- Mild steel/stainless steel
- Coarse or fine thread
- Zinc-plated mild steel or stainless steel

Thread Size	Part #	Price
Mild Steel, Fine Thread		
1/4-28 UNF	14639	\$1.00
3/8-24 UNF	14651	\$1.00
1/2-20 UNF	14664	\$1.60
3/4-16 UNF	14687	\$1.60
1-12 UNF	14702	\$5.99
1-14 UNF	14703	\$4.90
1 1/4-12 UNF	14708	\$3.60
1 1/2-12 UNF	14711	\$4.90
Mild Steel, Coarse Thread		
1/4-20 UNC	14636	\$1.00
3/8-16 UNC	14649	\$2.25
1/2-13 UNC	14661	\$1.00
5/8-11 UNC	14676	\$2.25
3/4-10 UNC	14686	\$1.06
1-8 UNC	14701	\$1.20
1-1/4-7 UNC	14707	\$3.30

Thread Size	Part #	Price
Stainless Steel, Fine Thread		
1/4-28 UNF	14640	\$1.30
1/2-20 UNF	14665	\$1.80
3/4-16 UNF	14688	\$2.30
Stainless Steel, Coarse Thread		
3/8-16 UNC	14653	\$2.10
1/2-13 UNC	14662	\$1.85
5/8-11 UNC	14680	\$2.10
3/4-10 UNC	14690	\$2.25

Eye Nuts



Standard Features

- Drop-forged steel, tapped NC right-hand threads

Part Number/Price

Part #	A	B	C	D	E	Thread Size	Safe Load*	Price
17772	0.50 in	1.06 in	0.75 in	0.25 in	1.68 in	1/4-20 UNC	500 lb	\$48.00
17773	0.75 in	1.18 in	0.87 in	0.31 in	2.25 in	3/8-16 UNC	1,800 lb	\$32.00
17774	1.00 in	1.56 in	1.12 in	0.43 in	3.00 in	1/2-13 UNC	3,600 lb	\$48.00
17775	1.25 in	1.93 in	1.37 in	0.56 in	3.75 in	5/8-11 UNC	5,800 lb	\$53.00

*Do not exceed the safe load

Coupling Nuts



Standard Features

- Heavy hex

Part Number/Price

Part #	Thread Size	Length	Flat	Safe Load*	Price
14638	1/4-20 UNC	1.75 in	0.44 in	500 lb	\$7.50
14650	3/8-16 UNC	1.75 in	0.62 in	1,500 lb	\$7.40
14663	1/2-13 UNC	1.75 in	0.87 in	3,000 lb	\$7.40
14681	5/8-11 UNC	2.12 in	1.06 in	7,500 lb	\$10.50
14691	3/4-10 UNC	2.25 in	1.25 in	10,000 lb	\$11.50

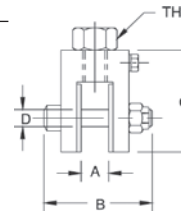
*Do not exceed the safe load

Clevis Mount Assemblies

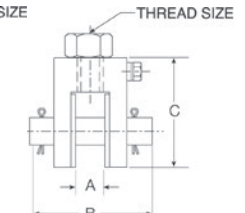


Standard Features

- Mild steel
- Assembly used in the ITCM
- Adapts rod to rod-end ball joint
- Provides electrical isolation for load cell protection
- Elimination of unwanted side loads
- Optional stainless steel provides enhanced corrosion resistance



Clevis Mount with bolt



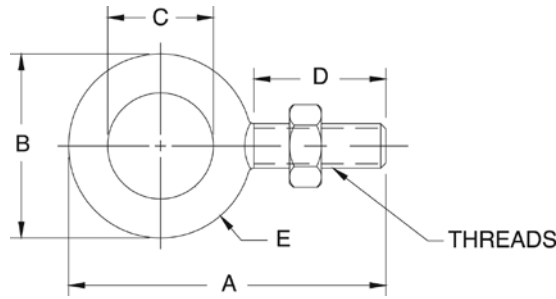
Clevis Mount with pin

Part Number/Price

Part #	A	B	C	D	Thread Size	Safe Load*	Price
Mild Steel with Bolt							
17792	0.52 in	2.38 in	1.94 in	0.38 in	3/8-16 UNC	300 lb	\$83.00
17793	0.52 in	2.38 in	1.94 in	0.38 in	1/2-13 UNC	300 lb	\$83.00
17783	0.39 in	1.81 in	1.69 in	0.25 in	1/2-13 UNC	500 lb	\$94.00
17784	0.65 in	2.68 in	2.31 in	0.50 in	3/4-10 UNC	4,000 lb	\$94.00
17785	0.78 in	3.37 in	3.00 in	0.62 in	1-8 UNC	10,000 lb	\$94.00
17786	0.39 in	1.81 in	1.69 in	0.25 in	3/8-16 UNC	500 lb	\$94.00
17787	0.65 in	2.68 in	2.31 in	0.50 in	1/2-13 UNC	2,000 lb	\$94.00
17788	0.65 in	2.68 in	2.31 in	0.50 in	5/8-11 UNC	2,500 lb	\$94.00
17789	0.78 in	3.37 in	3.00 in	0.62 in	3/4-10 UNC	5,000 lb	\$94.00
Mild Steel with Pin							
17790	1.39 in	4.12 in	4.50 in	1.00 in	1 1/4-7 UNC	15,000 lb	\$350.00
17791	1.22 in	4.12 in	5.00 in	1.25 in	1 1/2-6 UNC	20,000 lb	\$350.00
Stainless Steel with Pin							
33644	0.52 in	2.38 in	1.94 in	0.38 in	1/2-13 UNC	300 lb	\$183.00
33643	0.39 in	1.81 in	1.69 in	0.25 in	1/2-13 UNC	500 lb	\$183.00
33641	0.39 in	1.81 in	1.69 in	0.25 in	3/8-16 UNC	500 lb	\$183.00
33658	0.52 in	2.38 in	1.94 in	0.38 in	3/8-16 UNC	500 lb	\$183.00
33642	0.65 in	2.68 in	2.31 in	0.50 in	3/4-10 UNC	4,000 lb	\$238.00
33640	0.65 in	2.68 in	2.31 in	0.50 in	1/2-13 UNC	2,000 lb	\$238.00
33639	0.65 in	2.68 in	2.31 in	0.50 in	5/8-11 UNC	2,500 lb	\$238.00
33638	0.78 in	3.37 in	3.00 in	0.62 in	3/4-10 UNC	5,000 lb	\$238.00

*Do not exceed the safe load

Load Cell Eye Bolts



Standard Features

- Mild steel
- One jam nut included with each eye bolt

Part Number/Price

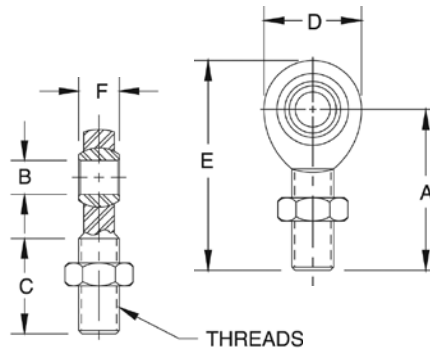
Part #	A	B	C	D	E	Thread Size	Safe Load*	Price
Mild Steel								
17705	2.25 in	1.25 in	0.75 in	1.00 in	0.25 in	1/4-28 UNF	500 lb	\$26.50
17707	2.91 in	1.66 in	1.00 in	1.25 in	0.33 in	3/8-24 UNF	1,300 lb	\$26.50
17709	3.56 in	2.06 in	1.19 in	1.50 in	0.44 in	1/2-20 UNF	2,400 lb	\$28.50
17711	4.25 in	2.50 in	1.37 in	1.75 in	0.56 in	5/8-18 UNF	4,000 lb	\$34.00
17713	4.81 in	2.81 in	1.50 in	2.00 in	0.66 in	3/4-16 UNF	5,000 lb	\$74.00
17715	6.06 in	3.56 in	1.81 in	2.50 in	0.87 in	1-12 UNF	9,000 lb	\$117.00
17716	6.06 in	3.56 in	1.81 in	2.50 in	0.87 in	1-14 UNS	9,000 lb	\$117.00
17704	2.25 in	1.25 in	0.75 in	1.00 in	0.25 in	1/4-20 UNC	500 lb	\$25.00
17706	2.91 in	1.66 in	1.00 in	1.25 in	0.33 in	3/8-16 UNC	1,300 lb	\$25.00
17708	3.56 in	2.06 in	1.19 in	1.50 in	0.44 in	1/2-13 UNC	2,400 lb	\$38.00
17710	4.25 in	2.50 in	1.37 in	1.75 in	0.56 in	5/8-11 UNC	4,000 lb	\$58.00
17712	4.81 in	2.81 in	1.50 in	2.00 in	0.66 in	3/4-10 UNC	5,000 lb	\$58.00
17714	6.06 in	3.56 in	1.81 in	2.50 in	0.87 in	1-8 UNC	9,000 lb	\$59.00
17717	7.44 in	4.44 in	2.19 in	3.00 in	1.12 in	1 1/4-7 UNC	15,000 lb	\$169.00

*Do not exceed the safe load

Rod End Ball Joints



PTFE Lined Standard



Standard Features

- Used in the ITCM assembly
- One jam nut included with each rod end ball joint
- Standard or PTFE-lined
- Optional stainless steel provides enhanced corrosion resistance for hostile environments

Part Number/Price

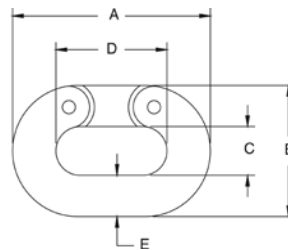
Part #	Safe Load*	Breaking Strength	PTFE Lined	Price
Mild Steel				
17746	975 lb	3,915 lb	YES	\$34.00
17734	1,200 lb	4,916 lb	NO	\$24.00
17736	4,000 lb	16,238 lb	NO	\$60.00
17738	7,000 lb	28,081 lb	NO	\$103.00
17735	2,000 lb	8,075 lb	NO	\$29.00
17737	3,250 lb	13,831 lb	NO	\$42.00
17739	500 lb	2,158 lb	YES	\$34.00
17740	4,000 lb	16,238 lb	YES	\$55.00
17741	10,000 lb	40,572 lb	YES	\$82.00
17742	10,500 lb	43,541 lb	NO	\$154.00
26007	15,000 lb	76,200 lb	YES	\$318.00
17747	19,000 lb	76,200 lb	YES	\$366.00
17743	20,000 lb	79,728 lb	NO	\$276.00
17744	24,000 lb	96,510 lb	NO	\$382.00
Stainless Steel				
33505	500 lb	2,158 lb	YES	\$148.00
33506	1,500 lb	7,362 lb	YES	\$148.00
33507	3,000 lb	16,238 lb	YES	\$159.00
33508	7,000 lb	40,572 lb	YES	\$366.00

*Do not exceed the safe load

Dimensions

Part #	A	B	C	D	E	F	Thread Size
Mild Steel							
17746	1.94 in	0.37 in	1.25 in	1.00 in	2.43 in	0.50 in	3/8-24 UNF
17734	1.94 in	0.37 in	1.25 in	1.00 in	2.43 in	0.50 in	3/8-24 UNF
17736	2.44 in	0.50 in	1.50 in	1.31 in	3.09 in	0.62 in	1/2-20 UNF
17738	2.87 in	0.75 in	1.75 in	1.75 in	3.75 in	0.87 in	3/4-16 UNF
17735	2.44 in	0.50 in	1.50 in	1.31 in	3.09 in	0.62 in	1/2-20 UNF
17737	2.87 in	0.75 in	1.75 in	1.75 in	3.75 in	0.87 in	3/4-16 UNF
17739	1.56 in	0.25 in	1.00 in	0.75 in	1.93 in	0.37 in	1/4-28 UNF
17740	2.44 in	0.50 in	1.50 in	1.31 in	3.09 in	0.62 in	1/2-20 UNF
17741	2.87 in	0.62 in	1.75 in	1.75 in	3.75 in	0.75 in	3/4-16 UNF
17742	4.12 in	1.00 in	2.12 in	2.75 in	5.50 in	1.37 in	1-12 UNF
26007	4.12 in	1.00 in	2.12 in	2.75 in	5.50 in	1.37 in	1-14 UNS
17747	4.12 in	1.00 in	2.12 in	2.75 in	5.50 in	1.37 in	1-12 UNF
17743	4.12 in	1.25 in	2.12 in	2.75 in	5.50 in	1.09 in	1 1/4-12 UNF
17744	5.37 in	1.50 in	3.00 in	3.50 in	7.12 in	1.31 in	1 1/2-12 UNF
Stainless Steel							
33506	1.94 in	0.37 in	1.25 in	1.00 in	2.43 in	0.50 in	3/8-24 UNF
33505	1.56 in	0.25 in	1.00 in	0.75 in	1.93 in	0.37 in	1/4-28 UNF
33507	2.44 in	0.50 in	1.50 in	1.31 in	3.09 in	0.62 in	1/2-20 UNF
33508	2.87 in	0.62 in	1.75 in	1.75 in	3.75 in	0.75 in	3/4-16 UNF

Connecting Links



Standard Features

- Drop-forged carbon steel, heat-treated, hot-dipped galvanized finish

Part Number/Price

Part #	A	B	C	D	E	Safe Load*	Price
17794	1.50 in	1.00 in	0.43 in	0.87 in	0.25 in	1,325 lb	\$42.00
17795	2.06 in	1.37 in	0.56 in	1.12 in	0.37 in	2,750 lb	\$45.00
17796	2.65 in	1.71 in	0.65 in	1.46 in	0.50 in	4,750 lb	\$45.00
17797	3.31 in	2.09 in	0.78 in	1.81 in	0.62 in	7,250 lb	\$55.00
17798	3.87 in	2.50 in	0.93 in	2.12 in	0.75 in	10,250 lb	\$74.00
17799	5.00 in	3.31 in	1.25 in	2.75 in	1.00 in	15,500 lb	\$127.00

*Do not exceed the safe load

Load Cell Isolators



Standard Features

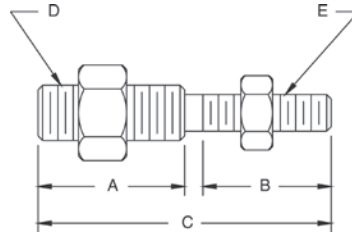
- Power surges such as those caused by welding or electrical shorts frequently damage load cells and indicators. To prevent such damage, these isolators electrically separate the mechanical assembly from its tension-type load cell.

Part Number/Price

Part #	Height Thread Size	Diameter	Safe Load*	Price
17722	3/8-16 UNC	2.50 in	600 lb	\$48.00
17724	1/2-13 UNC	2.50 in	600 lb	\$53.00
17726	1/2-20 UNF	2.50 in	600 lb	\$90.00
17725	1/2-13 UNC	2.00 in	3,000 lb	\$127.00
17723	3/8-24 UNF	2.50 in	600 lb	\$95.00
17728	1/2-13 UNC x 1/2-20 UNF	2.50 in	600 lb	\$69.00
17732	1/4-20 UNC	1.12 in	250 lb	\$53.00

*Do not exceed the safe load

Threaded Adaptors



Standard Features

- For coupling isolators with load cells and steel yard rods
- Supplied with jam nuts
- Now in stronger, more durable stainless steel

Part Number/Price

Part #	A	B	C	D	E	Safe Load*	Price
33561	—	—	2.00 in	1/4-28 UNF	1/4-28 UNF	300 lb	\$29.00
33562	0.94 in	0.94 in	2.00 in	1/4-28 UNF	1/4-20 UNC	300 lb	\$32.00
33563	0.92 in	1.02 in	2.06 in	1/4-28 UNF	3/8-24 UNF	300 lb	\$37.00
33564	0.94 in	0.94 in	2.00 in	1/4-28 UNF	3/8-16 UNC	300 lb	\$29.00
33565	1.06 in	1.06 in	2.25 in	1/4-20 UNC	3/8-16 UNC	300 lb	\$32.00
33567	1.06 in	1.06 in	2.25 in	1/4-28 UNF	1/2-13 UNC	300 lb	\$32.00
33568	—	—	2.00 in	3/8-24 UNF	3/8-24 UNF	500 lb	\$42.00
33569	0.91 in	0.91 in	2.00 in	3/8-16 UNC	3/8-24 UNF	500 lb	\$36.00
33570	1.06 in	1.06 in	2.25 in	3/8-24 UNF	1/2-13 UNC	500 lb	\$32.00
33571	1.31 in	1.31 in	2.75 in	1/2-13 UNC	5/8-11 UNC	3,000 lb	\$32.00
33572	0.87 in	0.87 in	2.00 in	1/2-13 UNC	1/2-20 UNF	3,000 lb	\$36.00
33573	—	—	2.06 in	1/2-20 UNF	1/2-20 UNF	3,000 lb	\$36.00
33574	1.31 in	1.31 in	2.75 in	1/2-20 UNF	5/8-11 UNC	3,000 lb	\$38.00
33575	1.31 in	1.31 in	3.00 in	3/4-16 UNF	3/4-10 UNC	7,000 lb	\$40.00

*Do not exceed the safe load

ITCM Hardware Kits



The Isolated Tension Cell Mount (ITCM) is a mounting assembly designed for tension mounting s-beam load cells in suspended hopper assemblies and mechanical scale conversions. The ITCM incorporates clevis and unique rod end ball joint assemblies, reducing the overall length to less than half of traditional tension cell mounts, while providing correct load alignment. In addition, the load cell is completely electrically isolated from stray currents, a major cause of load cell failure. To complete the design, a grounding strap connects the two clevis assemblies to further ensure load cell safety.

Standard Features

- Provides greater safety than traditional/ suspension configurations
- Complete package for ease of installation
- Built-in electrical isolation without having to use isolators (not available on 20,000 lb version)
- Provides correct load cell loading even in difficult installations
- Dramatically reduces overall length
- Capacities from 100 lb to 20,000 lb
- Clevis mounts with nylon insulating washers
- PTFE-lined rod-end ball joints (not available on 20,000 lb version)
- Completely isolates load cell from stray currents
- Grounding strap for electrical continuity
- Zinc plated clevis
- Mount only - does not include load cell

Applications:

- Suspended hoppers
- Mechanical scale conversions
- Replaces traditional eye bolt, isolator configurations

Mount only - does not include load cell

Part Number/Price

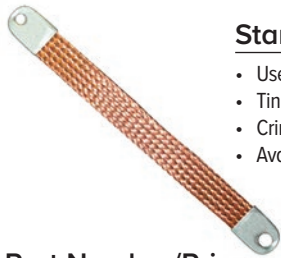
Part #	Load Rating	Clevis Thread	Rod End Thread	Safe Load*	Price
Mild Steel					
17968	300 lb	3/8-16	3/8-24	300 lb	\$220.00
17969	300 lb	1/2-13	3/8-24	300 lb	\$220.00
17894	500 lb	3/8-16	1/4-28	500 lb	\$220.00
17895	500 lb	1/2-13	1/4-28	500 lb	\$220.00
17896	2,000 lb	1/2-13	1/2-20	2,000 lb	\$275.00
17897	2,500 lb	5/8-11	1/2-20	2,500 lb	\$275.00
17898	4,000 lb	3/4-10	1/2-20	4,000 lb	\$275.00
17899	5,000 lb	3/4-10	3/4-16	5,000 lb	\$315.00
17900	10,000 lb	1-8	3/4-16	10,000 lb	\$315.00
17958	15,000 lb (RL20000I)	1 1/4-7	1-12	15,000 lb	\$1,250.00
63166	15,000 lb (RL20001)	1 1/4-7	1-14	15,000 lb	\$1,195.00
17959	20,000 lb**	1 1/2-6	1 1/4-12	20,000 lb	\$1,100.00
Stainless Steel					
33630	500 lb	3/8-16	3/8-24	500 lb	\$625.00
33631	300 lb	1/2-13	3/8-24	300 lb	\$625.00
33632	500 lb	3/8-16	1/4-28	500 lb	\$625.00
33633	500 lb	1/2-13	1/4-28	500 lb	\$625.00
33634	2,000 lb	1/2-13	1/2-20	2,000 lb	\$750.00
33635	2,500 lb	5/8-11	1/2-20	2,500 lb	\$750.00
33636	3,000 lb	3/4-10	1/2-20	3,000 lb	\$750.00
33637	5,000 lb	3/4-10	3/4-16	5,000 lb	\$1,100.00

* Not electrically isolated

**Do not exceed the safe load

Note: Replacement parts for mounts can be found in the Replacement Parts Catalog.

Grounding Strap



Standard Features

- Used in the ITCM assembly
- Tinned copper braid
- Crimped sleeve on ends with 0.25 in hole
- Available in 12 in, 14 in, 16 in, 24 in or 32 in lengths

Part Number/Price

Part #	Length	Price
17778	12 in	\$19.00
17779	14 in	\$19.00
17780	16 in	\$20.00
17781	24 in	\$21.00
17782	32 in	\$30.00

Ball Bearings



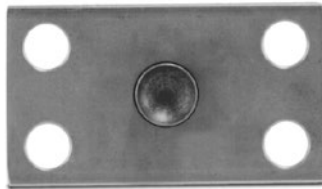
Standard Features

- Ball bearings are used with load cup and load receivers to build custom scales
- Use with load cup and load receiver to build a custom scale
- 52100 chrome alloy steel

Part Number/Price

Part #	Drawing Dimensions	Price
18815	5/8 in diameter crush strength 32,000 lb	\$16.00
18816	7/8 in diameter crush strength 59,000 lb	\$18.00
65841	1.25 in diameter crush strength 100,000 lb	\$37.00

Load Receiver Plate

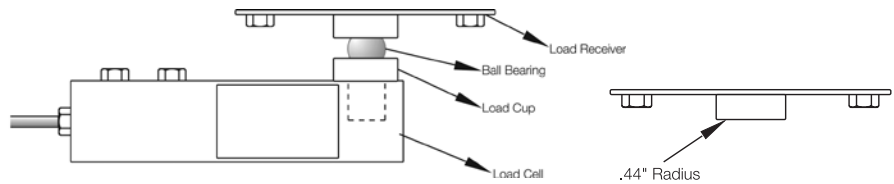
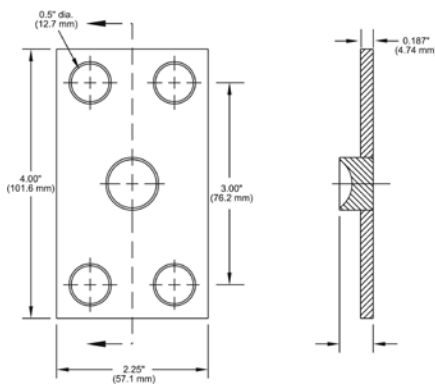


Standard Features

- Design offers accurate point loading
- Self-centering effect built in
- Ease of manufacture for custom applications
- Use with load cup and ball bearings to build a custom scale
- Ball and cup load introduction provides point loading for maximum accuracy
- Stainless steel construction

Part Number/Price

Part #	Description	Price
18832	Load receiver plate	\$58.00 each



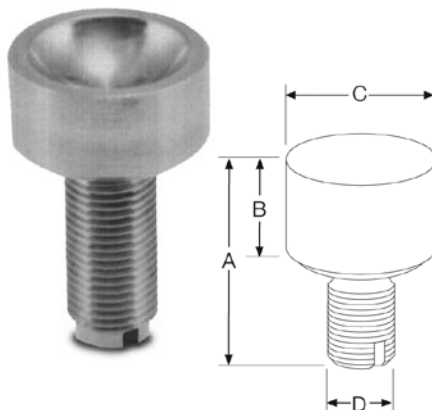
Load Cups

Standard Features

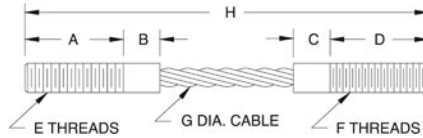
- Ball and cup load introduction provides point loading for maximum accuracy
- For use with most popular single-ended beam load cells
- Constructed of 440C

Part Number/Price

Part #	A	B	C	D	Price
31911	1.70 in	0.54 in	1.07 in	1/2-20 UNF	\$58.00
33654	1.12 in	0.54 in	0.78 in	1/2-20 UNF	\$47.00
33653	1.50 in	0.80 in	1.12 in	3/4-16 UNF	\$48.00
33652	2.00 in	0.85 in	1.75 in	1-12 UNF	\$114.00
33651	2.85 in	0.85 in	1.75 in	1-12 UNF	\$160.00
33650	2.85 in	0.85 in	1.75 in	1-14 UNF	\$160.00
33647	2.75 in	0.50 in	0.75 in	1/2-20 UNF	\$57.00
72364	1.78 in	0.53 in	0.78 in	1/2-20 UNF	\$69.00
69431	Replacement cup for Cardinal® SCA-50,000 load cell				\$143.00



Wire Rope Assemblies



Standard Features

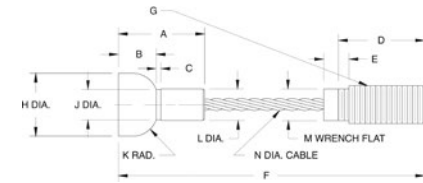
- Wire rope assemblies provide better alignment and greatly increase load cell repeatability. In addition, they act as natural vibration dampeners.

Part Number/Price

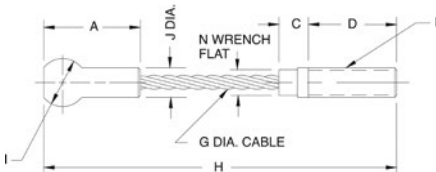
Part #	A	B & C	D	E	F	G	H	Safe Load*	Price
17760	0.87 in	0.50 in	0.87 in	1/4-20 UNC-2A	1/4-28 UNF-2A	0.12 in	4.00 in	400 lb	\$58.00
17762	1.25 in	0.50 in	1.25 in	3/8-16 UNC-2A	3/8-24 UNF-2A	0.18 in	5.00 in	850 lb	\$64.00
17766	1.62 in	0.50 in	1.62 in	1/2-13 UNC-2A	1/2-20 UNF-2A	0.25 in	6.50 in	1,400 lb	\$66.00
17765	1.62 in	0.50 in	1.62 in	1/2-13 UNC-2A	1/2-20 UNF-2A	0.25 in	5.50 in	1,400 lb	\$79.00
17764	1.00 in	-	1.37 in	1/2-20 UNF-2A	1/2-20 UNF-2A	0.25 in	4.00 in	1,400 lb	\$95.00
17768	2.00 in	-	2.50 in	3/8-24 UNF-2A	3/8-24 UNF-2A	0.12 in	5.50 in	400 lb	\$143.00
17769**	1.25 in	-	0.75 in	1/4-28 UNF-2A	1/4-28 UNF-2A	0.12 in	3.00 in	400 lb	\$159.00
17771**	1.25 in	-	0.75 in	1/2-20 UNF-2A	1/2-20 UNF-2A	0.25 in	3.00 in	1,400 lb	\$69.00
115292***	1.25 in	-	0.75 in	1/4-28 UNF-2A	1/4-28 UNF-2A	0.12 in	3.00 in	300 lb	\$111.00
33084****	1.31 in	-	1.00 in	1/2-20 UNF	1/2-20 UNF	0.125 in	3.62 in	850 lb	\$87.00

*Do not exceed the safe load **Used with Rice Lake Weighing Systems flexure bases ***Stainless steel ****Used with Rice Lake Weighing Systems FXB flexure bases

Cardinal[®] Wire Rope Assemblies



Part #17767 EL209



Part #17763 EL208

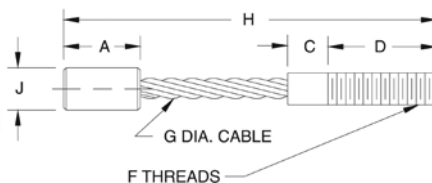
Standard Features

- EL208 Cardinal wire rope assembly: Used on 7,500 lb capacity FH model and 8,000 lb capacity EP model.
- EL209 Cardinal wire rope assembly: Used on 20,000 lb capacity FH and EP models. May also be used on 15,000 lb capacity FH and EP models.

Part Number/Price

Part #	A	B	C	D	E	F	G	H	I	J	K	L & M	N	Price
17763	1.50 in	-	0.50 in	1.50 in	-	1/2-13 UNC	0.25 in	6.00 in	0.81 in	0.43 in	-	-	0.43 in	\$126.50
17767	1.71 in	0.75 in	0.09 in	2.00 in	0.43 in	6.31 in	3/4-10 UNC-2A	1.25 in	-	0.60 in	0.50 in	0.625 in	0.375 in	\$247.50

Custom Wire Ropes



Standard Features

- Custom wire ropes are available for your specific applications
- When ordering, please complete Custom Wire Rope Definition Form, a sample if possible, the required tension rating and total capacity.

Custom Wire Rope Definition Form

Customer's Name: _____

Contact Person: _____

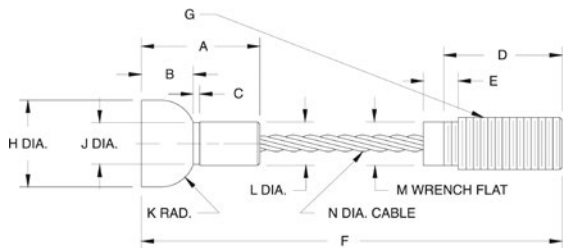
Date: _____

Application: _____

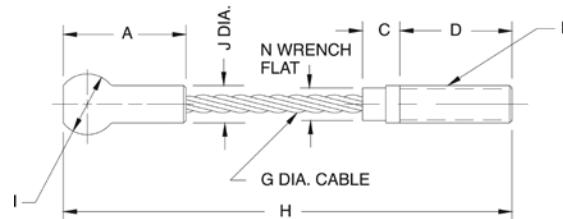
Wire Rope* (Enter Dimensions to Form)

A Thread length	F Threads	K Safe load
B Shank length	G Rope diameter	L Environment
C Shank length	H Overall length	M Application
D Thread length	I Ball diameter	N Style
E Threads	J Shank diameter	O Desired Material

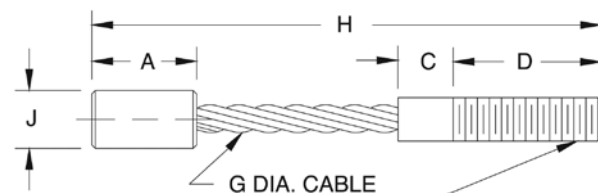
*Use drawings below for reference



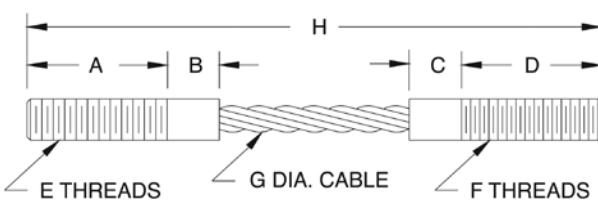
Style A



Style B



Style C

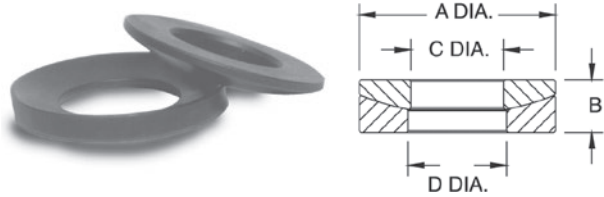


Style D



Style E

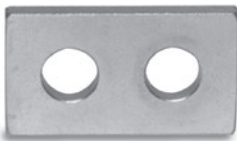
Spherical Washer Sets



Part Number/Price

Part #	Bolt Size	A	B	C	D	Price
Mild Steel						
15196	0.25 in	0.62 in	0.20 in	0.28 in	0.31 in	\$16.00
15197	0.38 in	0.88 in	0.25 in	0.41 in	0.44 in	\$19.00
15198	0.50 in	1.12 in	0.31 in	0.53 in	0.56 in	\$8.50
15199	0.62 in	1.38 in	0.31 in	0.66 in	0.69 in	\$20.00
15200	0.75 in	1.62 in	0.38 in	0.78 in	0.81 in	\$25.00
15201	1.00 in	2.00 in	0.50 in	1.06 in	1.12 in	\$39.00
15202	1.25 in	2.62 in	0.50 in	1.31 in	1.38 in	\$72.00
15203	1.50 in	2.88 in	0.53 in	1.56 in	1.62 in	\$79.00
15205	2.00 in	3.88 in	0.81 in	2.06 in	2.12 in	\$127.00
Stainless Steel						
33218	0.50 in	1.12 in	0.31 in	0.53 in	0.56 in	\$27.00
33220	0.75 in	1.62 in	0.38 in	0.78 in	0.81 in	\$38.00

Load Cell Spacers

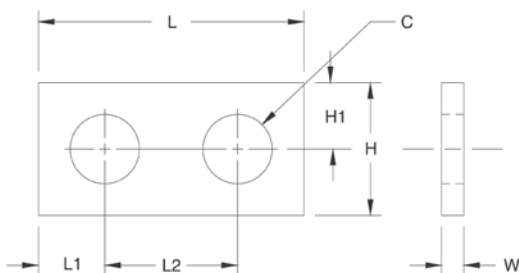


Standard Features

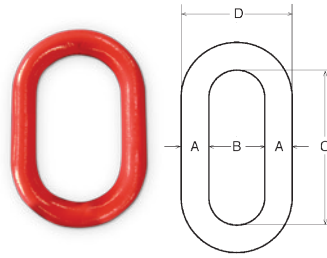
- Use with most popular single-ended beams
- Provides flat mounting surface required for optimum load cell performance
- Zinc-plated mild steel or stainless steel

Part Number/Price

Part #	C	H	H1	L	L1	L2	W	Price
Mild Steel								
17754	0.53 in	1.25 in	0.62 in	2.25 in	0.62 in	1.00 in	0.25 in	\$29.00
17755	0.78 in	1.50 in	0.75 in	3.00 in	0.75 in	1.50 in	0.25 in	\$29.00
17756	1.03 in	2.00 in	1.00 in	4.00 in	1.00 in	2.00 in	0.25 in	\$30.00
18260	0.53 in	1.25 in	0.62 in	2.25 in	0.62 in	1.00 in	0.37 in	\$31.00
Stainless Steel								
17757	0.78 in	1.50 in	0.75 in	3.00 in	0.75 in	1.50 in	0.25 in	\$37.00
18383	0.53 in	1.25 in	0.62 in	2.25 in	0.62 in	1.00 in	0.37 in	\$32.00
18411	0.53 in	1.25 in	0.62 in	2.25 in	0.62 in	1.00 in	0.25 in	\$33.00



Weldless End Links



Standard Features

- Self-colored or hot-dip galvanized
- Forged carbon steel quenched and tempered

Part Number/Price

Part #	A	B	C	D	Safe Load*	Price
F312L	0.625 in	1.00 in	3.25 in	2.32 in	9,300 lb	\$58.00
17810	0.875 in	2.00 in	5.13 in	3.75 in	12,000 lb	\$175.00
21911	1.00 in	2.25 in	5.75 in	4.25 in	15,200 lb	\$344.00
65430	1.25 in	2.50 in	7.00 in	5.00 in	26,400 lb	\$159.00
21912	1.375 in	2.75 in	7.75 in	5.50 in	30,000 lb	\$488.00

*Do not exceed the safe load

Load Button

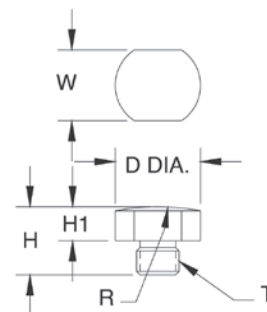


Standard Features

- Suitable for use with compression mounting assemblies, canisters, s-beams and single-ended beams
- Hardened alloy steel

Part Number/Price

Part #	T	D	H	H1	R	W	Price
17750	3/8-24 UNF	0.75 in	0.60 in	0.30 in	2.00 in	0.63 in	\$37.00
17751	1/2-20 UNF	0.75 in	0.70 in	0.30 in	4.00 in	0.63 in	\$32.00
17752	3/4-16 UNF	1.50 in	0.90 in	0.30 in	6.00 in	1.25 in	\$50.00



Load Button Insert Kit

Surefoot™

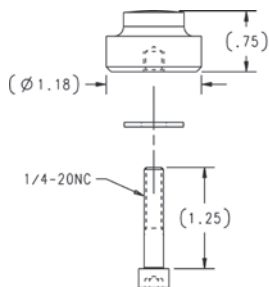


Standard Features

- To be used with RLSSB and VPG® Revere load cells (1,000 lb - 5,000 lb)
- Hardened alloy steel

Part Number/Price

Part #	Description	Price
26112	Load button insert kit	\$37.00



Standard Features

- Replacement foot, adapts to most floor scales
- Use with single-ended beams to provide large, flat, adjustable introduction surface
- Special neoprene rubber sandwich base gives high accuracy, linearity and repeatability

Part Number/Price

Part #	Material	Thread Size	Base Ht.	Total Ht.	Diameter	Price
18756	Stainless steel	1/2-20 UNF	0.75 in	2.62 in	3.47 in	\$50.00
39021	Mild steel	3/4-16 UNF-2B	0.875 in	3.25 in	4.40 in	\$93.00
39022	Mild steel	3/4-16 UNF-2B	0.875 in	4.06 in	5.40 in	\$135.00
110930	Mild steel	1-14 UNF	1.0 in	4.06 in	5.40 in	\$235.00
42130	Stainless steel	M12	-	2.62 in	3.47 in	\$103.00

Flintec™ Adjustable Rubber Foot



SLB, SB4, SB5, SB14 and SB6



BK2

Standard Features

- Blind hole introduction
- Low profile
- Height adjustable by rotation
- Includes spacer
- Stainless steel

Part Number/Price

Part #	Foot Diameter	Load Cell Capacity	Price
Flintec SLB, SB4, SB5, SB14 and SB6			
46230	2.36 in	200 lb-500 lb	\$65.00
77561	3.14 in	1,000 lb-5,000 lb	\$65.00
Flintec BK2			
87096	3.140 in	200 kg-2,000 kg	\$65.00

Bench Scale Feet



107476



19141



35128

Standard Features

- Rubber pad
- 1/4-20 UNC threads
- Stainless steel
- 3/8-16 UNC thread

Part Number/Price

Part #	Description	Price
Rubber Pad		
35128	Bench scale feet	\$14.00
107476	CW 90/CW 90X feet	\$21.00
Stainless Steel		
19141	Bench scale feet	\$8.00

Polyurethane Rubber Leveling Feet



Standard Features

- 3 in overall height, all diameters
- Stainless steel stem for corrosion resistance
- Heavy-duty construction, low-cost replacement feet
- Four standard diameters all with 1/2-20 UNF SS stud, slotted for top-access applications
- Zinc plated carbon steel jam nut provided
- Top of stud is machined undersize 10 percent for easy alignment into load cell

Part Number/Price

Part #	Foot Diameter	Height	Price
74585	1.87 in	3 in	\$32.00
74586	2.00 in	3 in	\$32.00
74587	2.50 in	3 in	\$32.00
73801	3.00 in	3 in	\$32.00

Captured Ball Floor Scale Leveling Feet



Carbon

Stainless Steel

Standard Features

Carbon Steel

- Bright zinc and clear chromate plating for corrosion resistance
- Active ball suspension provides ideal load cell loading with maximum side load protection
- Hardened alloy steel with plated finish
- Includes two jam nuts, one for wrench access
- Top of stud is machined undersized 10 percent for easy alignment into load cell plus slotted for top-access applications

Stainless steel

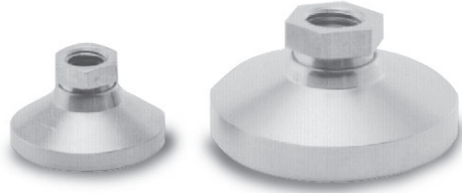
- Provides outstanding accuracy, repeatability and performance
- Active ball suspension provides optimum load cell performance
- Hardened stainless steel material, welded with polished finish
- Includes two stainless steel jam nuts, one for wrench access
- Top of stud is machined undersized 10 percent for easy alignment into load cell plus slotted for top-access applications

Part Number/Price

Part #	Foot Diameter	Thread Size Inches	Height	Price
Carbon Steel				
74578	1.87 in	1/2-20 UNF	3.5 in	\$45.00
74579	2.00 in	1/2-20 UNF	3.5 in	\$45.00
74580	2.50 in	1/2-20 UNF	3.5 in	\$45.00
74581	3.00 in	1/2-20 UNF	3.5 in	\$45.00
74582	3.00 in	3/4-16 UNF	4.5 in	\$56.00
74583	3.00 in	1-12 UNF	4.5 in	\$67.00
74584	3.00 in	1-14 UNF	4.5 in	\$67.00
171449	3.00 in	1-14 UNF	5.0 in	\$83.00
173018	4.40 in	3/4-16 UNF	3.13 in	\$96.00
174937	5.40 in	3/4-16 UNF	4.13 in	\$139.00
Stainless Steel				
74572	1.87 in	1/2-20 UNF	3.5 in	\$80.00
74573	2.00 in	1/2-20 UNF	3.5 in	\$80.00
73800	2.50 in	1/2-20 UNF	3.5 in	\$80.00
74574	3.00 in	1/2-20 UNF	3.5 in	\$61.00
74575	3.00 in	3/4-16 UNF	4.5 in	\$113.00
74576	3.00 in	1-12 UNF	4.5 in	\$136.00
74577	3.00 in	1-14 UNF	4.5 in	\$136.00
92380*	2.50 in	1/2-20 UNF	3.5 in	\$80.00
175615	3.47 in	1/2-20NF	2.62 in	\$108.00

*Stem is fully threaded

Leveling Pads



Standard Features

- Replacement feet adapt to most floor scales
- Available in cadmium-plated steel or stainless steel
- Simple swivel design
- Use with single-ended shear beams or bending beams to provide a large, flat load introduction surface

Part Number/Price

Part #	Thread Size	Height	Diameter	Price
Mild Steel				
18817	1/2-13 NC	1.12 in	1.87 in	\$27.00
18820	3/4-10 NC	1.50 in	3.00 in	\$47.00
Stainless Steel				
18818	1/2-13 NC	1.12 in	1.87 in	\$63.00
18833	3/4-10 NC	1.50 in	3.00 in	\$109.00

Used in conjunction with leveling pad stems

Leveling Mount



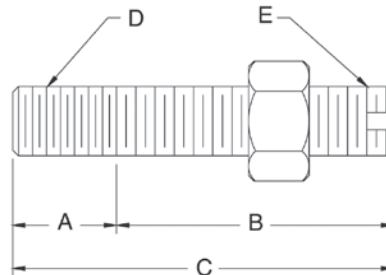
Standard Features

- Designed for use with some floor scales or machinery platforms
- Can be used as a replacement foot on the SP floor scale to limit vibrations transmitted to the scale through the floor
- Provides vibration isolation on most portable platforms

Part Number/Price

Part #	Thread Size	Height	Diameter	Price
18819	1/2-13 NC	1.81 in	5.00 in	\$106.00

Leveling Pad Stems



Standard Features

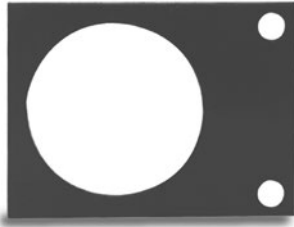
- For use with leveling pads
- One jam nut included

Part Number/Price

Part #	A	B	C	D	E	Slot	Material	Price
Mild Steel								
17693	0.75 in	2.00 in	2.75 in	3/4-10 UNC	3/4-16 UNF	NO	1045	\$17.00
Stainless Steel								
17689	0.50 in	1.50 in	2.00 in	1/2-13 UNC	1/2-20 UNF	YES	SS	\$25.00
17695	0.75 in	2.00 in	2.75 in	3/4-10 UNC	3/4-16 UNF	NO	SS	\$40.00

Warning: Do not use to suspend a load

RoughDeck® Scale Base



Part Number/Price

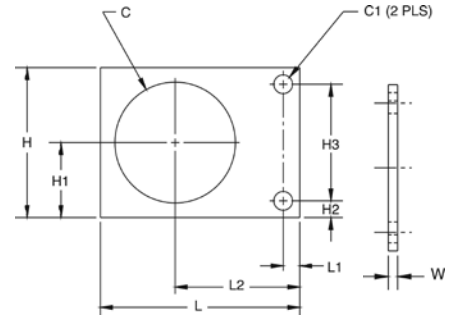
Part #	Description	Price
19075	Mild steel, 1,000 lb-10,000 lb	\$19.00
19076	Stainless steel, 1,000 lb-10,000 lb	\$24.00

Dimensions

Part #	C	C1	H	H1	H2	H3	L	L1	L2	W
19075	3.62 in	0.56 in	4.50 in	2.25 in	0.50 in	3.50 in	6.00 in	0.50 in	3.75 in	0.25 in
19076	3.62 in	0.56 in	4.50 in	2.25 in	0.50 in	3.50 in	6.00 in	0.50 in	3.75 in	0.25 in

Standard Features

- Secures RoughDeck and other popular floor scales
- Prevents movement in horizontal plane
- Useful with SureFoot™ and other load cell foot assemblies
- Available in stainless steel and mild steel



Summit® 3000 Scale Base



Part Number/Price

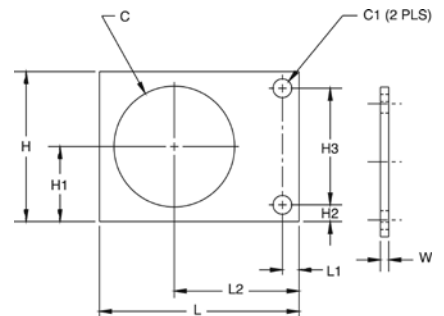
Part #	Description	Price
76149	Mild steel, 2,000 lb-10,000 lb	\$19.00

Dimensions

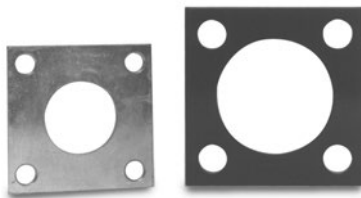
Part #	C	C1	H	H1	H2	H3	L	L1	L2	W
76149	3.19 in	0.56 in	4.50 in	2.25 in	0.50 in	3.50 in	6.00 in	0.50 in	3.75 in	0.25 in

Standard Features

- Mounting plate for Summit® 3000 floor scales
- Available in mild steel



Floor Scale Base



Part Number/Price

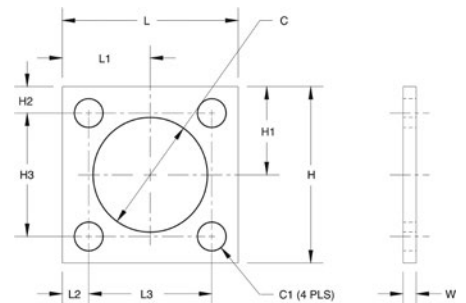
Part #	Description	Price
18737	Mild steel, 1,000 lb-10,000 lb	\$9.00
18738	Mild steel 10,000 lb-20,000 lb	\$10.00
18751	Stainless steel 1,000 lb-10,000 lb	\$34.00

Dimensions

Part #	C	C1	H	H1	H2	H3	L	L1	L2	L3
18737	2.00 in	0.53 in	4.00 in	2.00 in	0.50 in	3.00 in	4.00 in	2.00 in	0.50 in	3.00 in
18738	3.25 in	0.81 in	5.00 in	2.50 in	0.75 in	3.50 in	5.00 in	2.50 in	0.75 in	3.50 in
18751	2.00 in	0.53 in	4.00 in	2.00 in	0.50 in	3.00 in	4.00 in	2.00 in	0.50 in	3.00 in

Standard Features

- Suitable for use with leveling pads
- Generic mounting plate for popular floor scales
- Fits most floor scale foot assemblies
- Available in stainless steel and mild steel (mild steel parts are zinc plated/painted)



Complete Custom Cable Services



Standard Features

- Special cable requirements
- Custom-built cable designed specifically for your application
- Choose from design elements and Rice Lake Weighing Systems will build a cable to your specifications
- Quick turnaround
- Competitively priced
- 5,000 ft minimum purchase

Specifications

Jacket Material:

PVC
Polyurethane
Double-jacketed

Conductors:

Unlimited number
Twisted pairs
Color code
Gauge

Shielding:

Braided
Foil

Jacket Colors:

Black, brown, green, orange, red, blue, yellow, gray, natural

Ink Colors:

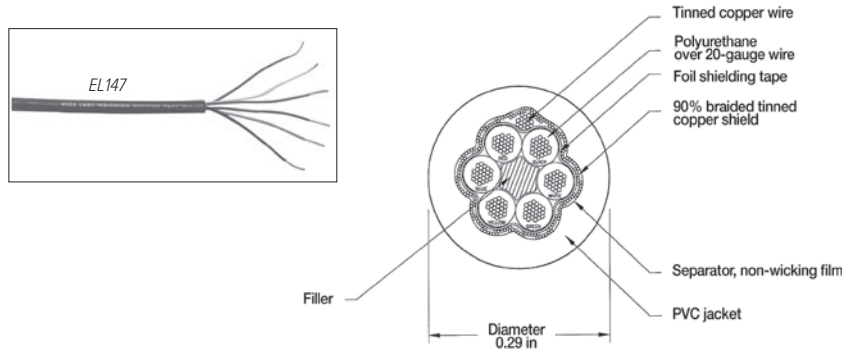
Black, white, silver, orange
Custom logos

Approvals:



EL147, 6 Wire

Standard Load Cell Cable



Standard Features

- Six-wire load cell cable
- 20 AWG tinned copper wire stranded for flexibility
- Braided shielding is encased in red PVC
- All conductors are industry-standard color coded
- Diameter: 0.29 in
- The six-wire cable is best suited for longer runs where remote sense lines can be used
- Temperature rating: -22°F to 126°F (-30°C to 80°C)
- Tinned copper overbraid provides superior rodent

APPROVALS



Part Number/Price

Part #	Continuous Roll	Description	Price
15515	100 ft	Six-conductor cable	\$228.00
15516	250 ft	Six-conductor cable	\$503.00
15517	500 ft	Six-conductor cable	\$938.00
15518	1,000 ft	Six-conductor cable	\$1,828.00
15495	Custom length	Six-conductor cable	\$2.28/ft

EL147RP Plus, 6 Wire

Rodent Protection Load Cell Cable

Six-conductor polyurethane over 20 gauge stranded wire
95% tinned copper overbraid



Standard Features

- and abrasion deterrent
- Enhanced EMI/RFI protection
- Six-conductor industry-standard color code
- Ideal for truck and railroad-track scales
- Diameter: 0.33 in
- Temperature rating -22°F to 176°F (-30°C to 80°C)
- Jacket coating enhanced with a chemical coating "NAW" that is distasteful to rodents
- Designed for use in hostile environments
- Polyurethane jacketing provides superior

Part Number/Price

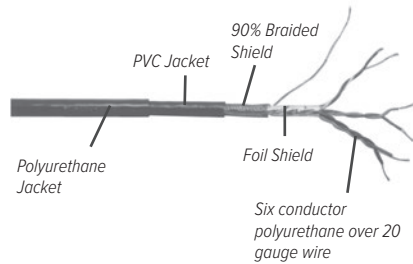
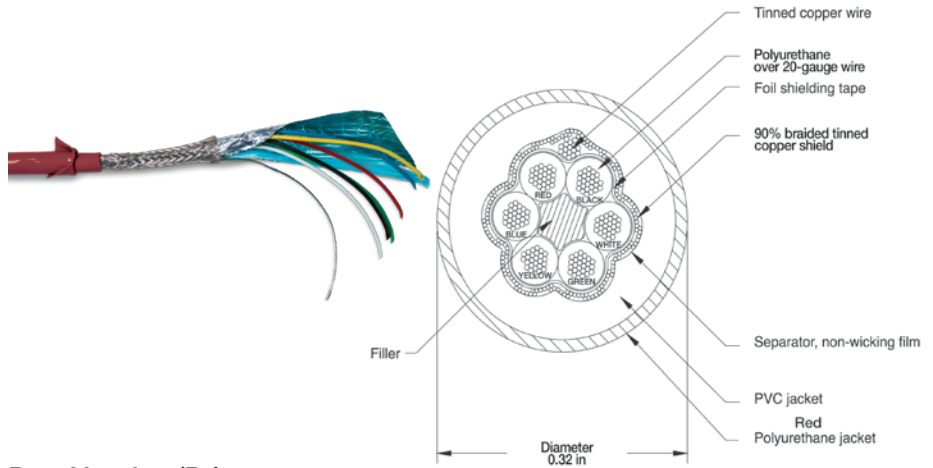
Part #	Continuous Roll	Description	Price
31475	Custom length	Six-conductor hostile environment cable	\$4.00/ft
131964	100 ft	Six-conductor hostile environment cable	\$397.00
131965	250 ft	Six-conductor hostile environment cable	\$917.00
131966	500 ft	Six-conductor hostile environment cable	\$1,818.00
131967	1,000 ft	Six-conductor hostile environment cable	\$3,524.00

EL147HE, 6 Wire

Hostile Environment Load Cell Cable

Standard Features

- chemical and abrasion resistance
- RFI and EMI protected with foil over braid shield
- Unmatched durability, yet extremely flexible
- All conductors are industry-standard color coded
- Diameter: 0.32 in
- Temperature rating: -22°F to 176°F (-30°C to 80°C)
- 500 V rating
- Designed for intrinsically safe applications (must be wired according to Factory Mutual System-approved diagram)



Part Number/Price

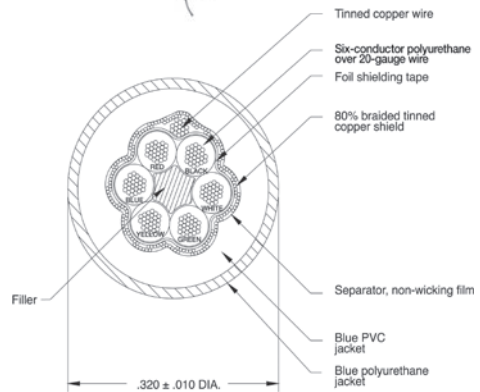
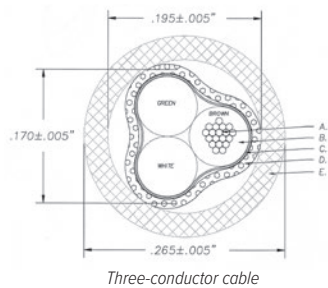
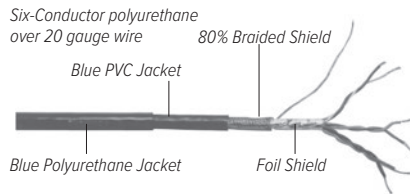
Part #	Continuous Roll	Description	Price
15520	100 ft	Six-conductor hostile environment cable	\$265.00
15521	250 ft	Six-conductor hostile environment cable	\$636.00
15522	500 ft	Six-conductor hostile environment cable	\$1,182.00
15523	1,000 ft	Six-conductor hostile environment cable	\$2,050.00
15496	Custom length	Six-conductor hostile environment cable	\$2.80/ft

EL147IS, 6 Wire

Hazardous Environment Blue Jacket Load Cell Cable

Standard Features

- Polyurethane over PVC double jacketing provides superior chemical and abrasion resistance
- Both foil and braided wire shields for added RFI and EMI protection
- Six-conductor is industry-standard color coded (Also available three-conductor)
- Suited for longer runs where remote sense lines can be used
- Temperature rating: -22°F to 176°F (-30°C to 80°C)
- Diameter: 0.32 in

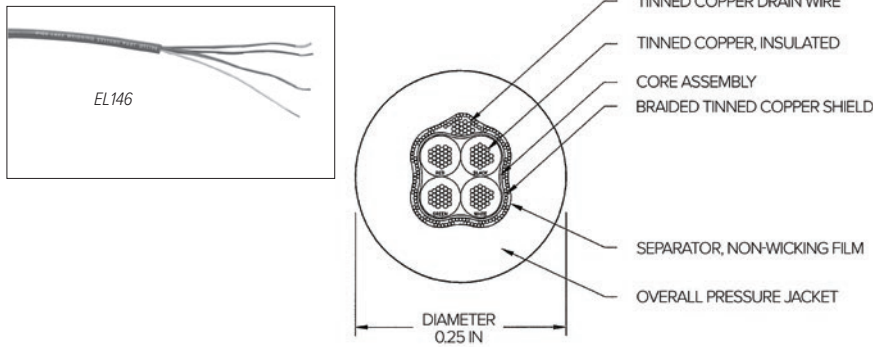


Part Number/Price

Part #	Description	Price
32817	EL147IS, blue jacket six-conductor	\$3.34/ft
72241	Blue jacket, shielded three-conductor, UL and CSA recognized	\$2.65/ft

EL146, 4 Wire

Standard Load Cell Cable



Part Number/Price

Part #	Continuous Roll	Description	Price
15505	100 ft	Four-conductor cable	\$143.00
15506	250 ft	Four-conductor cable	\$334.00
15507	500 ft	Four-conductor cable	\$652.00
15508	1,000 ft	Four-conductor cable	\$1,075.00
15493	Custom length	Four-conductor cable	\$1.55/ft

Standard Features

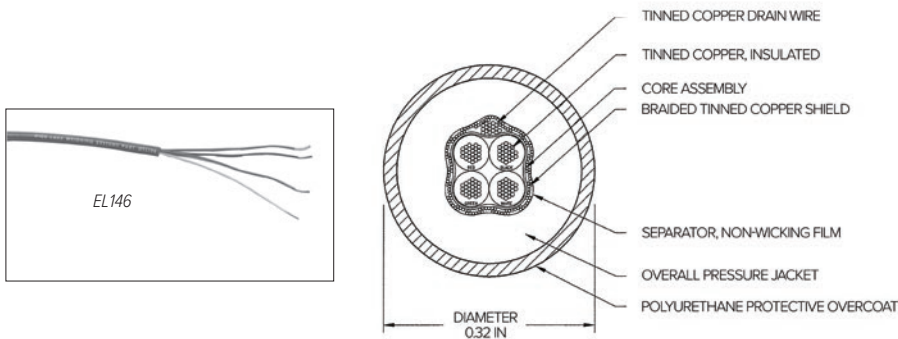
- 4-wire load cell cable
- 20 AWG tinned copper wire stranded for flexibility
- Braided shielding is encased in red PVC
- All conductors are industry-standard color coded
- Diameter: 0.25 in
- Use the four-wire cable for repairing or extending existing cable
- Temperature rating: -22°F to 126°F (-30°C to 80°C)
- Designed for use in hostile environments

APPROVALS



EL146HE, 4 Wire

Hostile Environment Load Cell Cable



Part Number/Price

Part #	Continuous Roll	Description	Price
15510	100 ft	Four-conductor hostile environment cable	\$175.00
15511	250 ft	Four-conductor hostile environment cable	\$424.00
15512	500 ft	Four-conductor hostile environment cable	\$805.00
15513	1,000 ft	Four-conductor hostile environment cable	\$1,606.00
15494	Custom Length	Four-conductor hostile environment cable	\$1.96/ft

Standard Features

- Polyurethane jacketing provides superior chemical and abrasion resistance
- RFI and EMI protected with foil over braid shield
- Unmatched durability, yet extremely flexible
- All conductors are industry-standard color coded
- Diameter: 0.32 in
- Temperature rating: -22°F to 176°F (-30°C to 80°C)
- 500 V rating

EL144 Communications Cable

Standard Features

- Two-conductor with bare ground
- RFI/EMI protected with foil shield
- 20 gauge conductors
- Perfect for RS-232, two-wire RS-485 and 20 mA current loop communications
- Diameter: 0.19 in



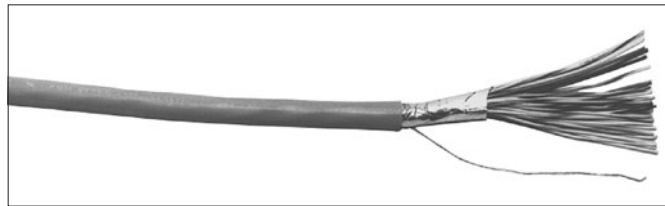
Part Number/Price

Part #	Description	Price
32803	EL144	\$1.22/ft
72691	EL11, 100 ft	\$90.00
72072	EL144, 500 ft	\$477.00
72693	EL144, 1,000 ft	\$865.00

BCD Cable

Standard Features

- Sheathed in gray PVC
- Mylar aluminum foil shield with stranded tinned copper drain wire
- Diameter: 0.375 in



Part Number/Price

Part #	Description	Price
15497	BCD, 24 AWG, 30-conductor	\$29.00/ft

Fiber-Optic Cable



Color Code: Black-TXD, Blue-RXD

Part Number/Price

Part #	Description	Price
78910	Custom length	\$1.75/ft
78026	100 ft cable	\$175.00
78027	200 ft cable	\$328.00
78028	300 ft cable	\$425.00
83052*	Fiber-optic connector	\$48.00
80892	Fiber-optic cable cutter	\$12.00
85548	Fiber-optic hot knife	\$55.00

*Duplex fiber cable requires two connectors

Standard Features

- Duplex cable polyethylene black jacket material
- 4.4 + 0.10 mm outer diameter of duplex cable
- 2.2 + 0.007 mm single cable outer diameter
- Operating temperature: 32°F to 158°F (0°C to 70°C)

SURVIVOR[®] EL620HE

High Temperature Cable



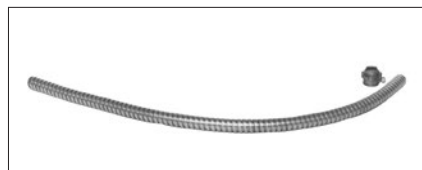
Part Number/Price

Part #	Description	Price
15605	EL620HE	\$13.00/ft

Standard Features

- Multi-conductor overall foil and braid shield
- Suitable for temperatures from -40°C (-40°F) to 200°C (392°F)
- Insulation thickness - 0.010 in
- Jacket thickness - 0.017 in
- 18 gauge, tinned copper conductors
- Six-wire or six-conductor
- PTFE jacket, resistant to chemical corrosion and high temperature
- Aluminum-polyester shield with 85% tinned copper braid shield
- 150 V NEC 725 Class 2 classified for use in an air plenum non-conduit
- 0.24 in diameter cable

SURVIVOR[®] Cable Armor



Part Number/Price

Part #	Description	Price
17808	Galvanized steel	\$4.50/ft
17806	Stainless steel	\$5.50/ft
17807	Optional end fitting	\$2.65 each

Standard Features

- Flexible all-metal protective armor
- Ideal for protecting load cell cable from mechanical abrasion or rodents
- Available in stainless steel and galvanized steel
- 0.5 in internal diameter, 2.0 in minimum bend radius
- Optional end fitting with 1/2 in male pipe thread

EL148HE Mettler Toledo®

Replacement Power Cell Cable

Standard Features

- 100% stainless steel military connector-electro deposited nickel plating with stainless banding and epoxy heat-shrink strain relief
- Stainless steel artic ring precision cut for improved connection
- Textured rubber boot for additional grip
- Standard Mettler Toledo® color code
- Compatible with Mettler Toledo® Powercell CMOS/NMOS and MTX load cells. NOT compatible with Mettler Toledo PDX load cells
- Custom lengths available



Part Number/Price

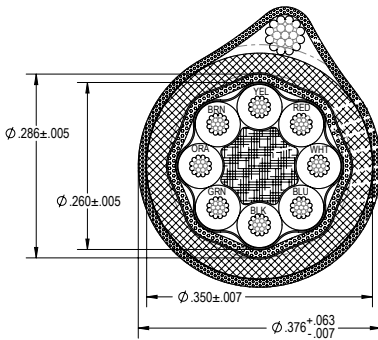
Part #	Cable Length Each	Price
100268	8 ft	\$387.00
101102	12 ft	\$397.00
104164	15 ft	\$380.00
100269	26 ft	\$419.00
100270	35 ft	\$440.00

Mettler Toledo® Power Cell®

Homerun Cable

Standard Features

- Galvanized steel drain wire
- 20 gauge 8 conductors
- Stainless steel braid shield



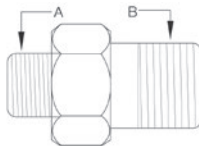
Part Number/Price

Part #	Description	Price
194837	Galvanized steel	\$8.50/ft

Load Cell Conduit Adaptors

Standard Features

- Used to adapt conduit to load cells
- 303 stainless steel



31534



31535



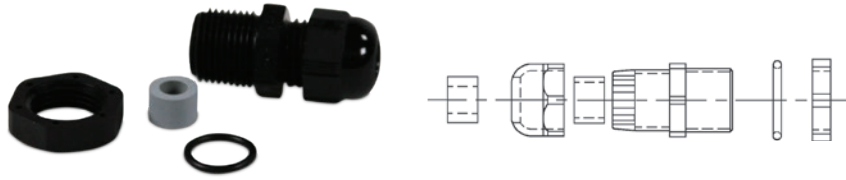
31533

Part Number/Price

Part #	A	B	Price
Thread-On			
31533	3/8-24 UNF	—	\$37.00
31534	—	1/4-18 NPT	\$37.00
31535	5/8-18 UNF	1/2-14 NPT	\$37.00

Note: 31533 and 31534 are used together to form male-to-male adaptor

Cord Grip Assemblies



Standard Features

- Assemblies include cord grip, locknut, "O"-ring seal, gray and black reducer glands
- Fittings are made of weather- and corrosion-resistant nylon

Part Number/Price

Gland Cable Ranges					
Part #	Thread	Panel Hole Diameter	Regular (Black)	Reducer (Gray)	Price
15669	PCN9	0.625 in	0.157 in-0.314 in	0.118 in-0.236 in	\$5.25
15670	3/8 NPT	0.687 in	0.157 in-0.314 in	0.118 in-0.236 in	\$4.75
15671	1/2 NPT	0.844 in	0.236 in-0.472 in	0.200 in-0.354 in	\$5.50

EL214 Cable Splicing Kit



Standard Features

- Designed for a complete, professional transducer cable splice
- Prevents moisture from entering the load cell through the cable connector
- Each kit contains a high-impact plastic splicing box, liquid-tight cable fittings, circuit card, PTFE sleeving, premeasured potting compound and complete instructions
- Solder terminals
- Designed to accommodate cables larger than the EL214; all other dimensions and

Part Number/Price

Part #	Description	Price
15485	EL214	\$143.00

Specifications

Dimensions:

(W x H x D)
3.00 in x 1.00 in x 1.50 in

Mounting Centers:

2.50 in

Number of Connections:

7

Cable Diameter:

0.187 - 0.312 in

Cure Time For Potting:

Epoxy-Polyamide resin cures in 2 hours at 73°F (23°C)

EL214T Cable Splicing Kit



Standard Features

- performance features are the same
- Solder terminals

Part Number/Price

Part #	Description	Price
15486	EL214T	\$154.00

Specifications

Dimensions:

(W x H x D)
3.00 in x 1.00 in x 1.50 in

Mounting Centers:

2.50 in

Number of Connections:

7

Cable Diameter:

0.187 - 0.312 in

Cure Time For Potting:

Epoxy-Polyamide resin cures in 2 hours at 73°F (23°C)

EL215 Cable Splicing Kit



Specifications

Dimensions:

(W x L) 1.375 in x 6.0 in

Number of Connections:

7

Cable Diameter:

up to 0.75 in

Cure Time For Potting:

2 hours at 70°F (21°C)

Standard Features

- Designed for use in weather-exposed or direct-burial locations
- Each kit contains plastic splicing tube, circuit board, insulating resin and instructions
- Solder terminals

Part Number/Price

Part #	Description	Price
15612	EL215	\$116.00

Flintec™ Load Cell Cable

Replacement Kits



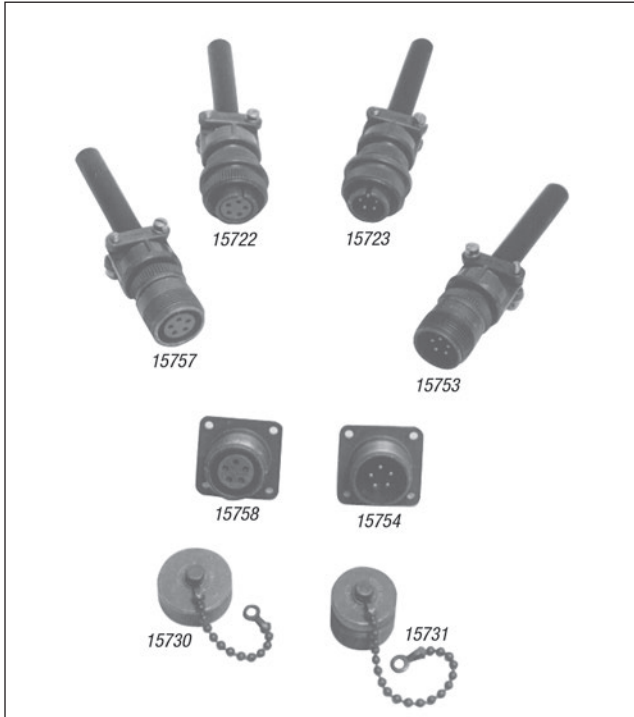
Standard Features

- Each kit includes cable for four Flintec SB4 or UB1 load cells as listed

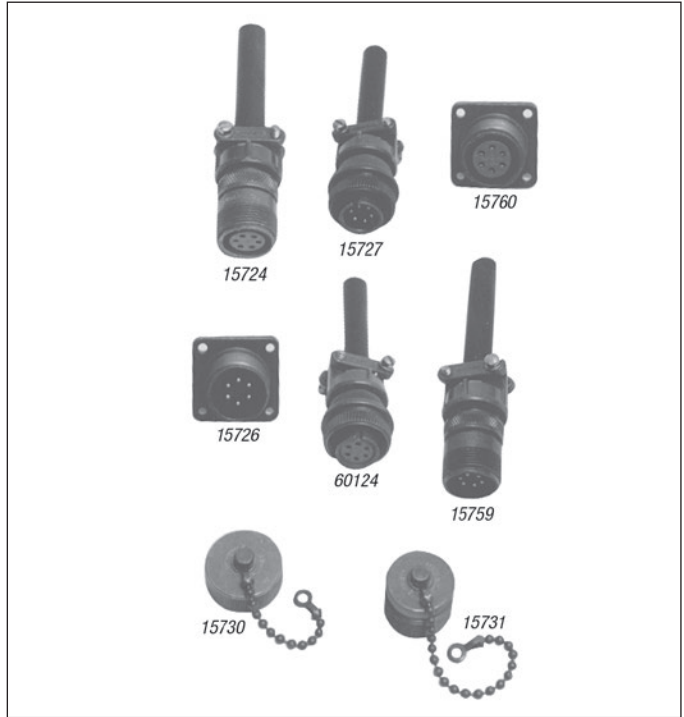
Part Number/Price

Part #	Description	Cable Length Ea. Feet	Price
18412	For SB4, 225-5,200 lb	10 ft	\$370.00
18413	For SB4, 11,250-22,500 lb	15 ft	\$397.00

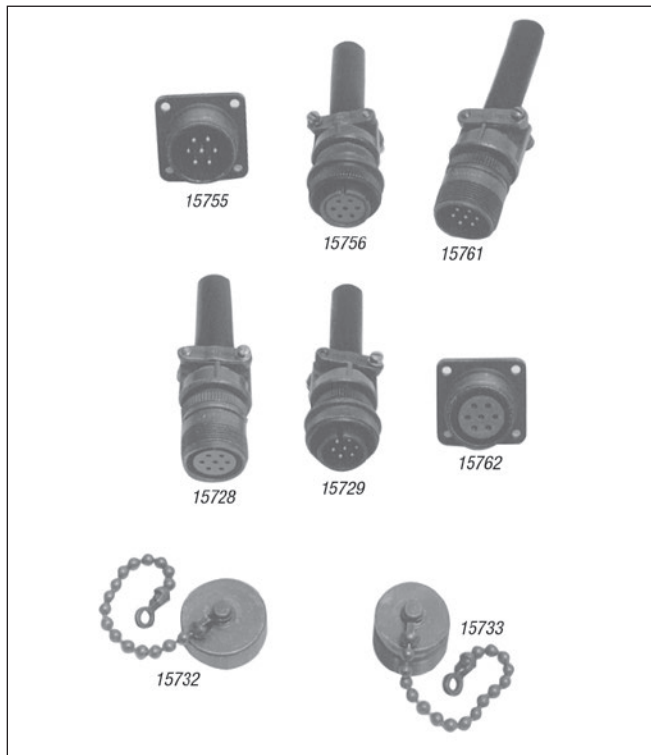
Five-Position Connectors, Shell Plugs, Receptacles



Six-Position Connectors, Shell Plugs, Receptacles



Seven-Position Connectors, Shell Plugs, Receptacles



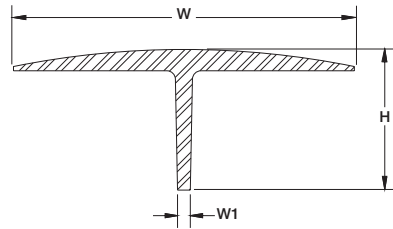
Part Number/Price

Part #	Description	Price
15753	Five-Pin, external thread	\$32.00
15722	Five-socket, internal thread	\$33.00
15723	Five-Pin, internal thread	\$32.00
15757	Five-socket, external thread	\$37.00
15754	Five-Pin chassis mount, external thread	\$37.00
15758	Five-socket chassis mount, external thread	\$23.00
15730	Dust cap for ext. thread five-position connector	\$14.00
15731	Dust cap for int. thread five-position connector	\$19.00
15759	Six-Pin, external thread, male	\$32.00
60124	Six-socket, internal thread connector, female fits Toledo load cells, Condec indicators	\$27.00
15727	Six-Pin, internal thread, male	\$31.00
15724	Six-socket, external thread	\$35.00
15726	Six-Pin chassis mount, external thread	\$24.00
15760	Six-socket chassis mount, external thread	\$23.00
15730	Dust cap for ext. thread six-position connector	\$14.00
15731	Dust cap for int. thread six-position connector	\$19.00
15761	Seven-Pin, external thread	\$33.00
15756	Seven-socket, internal thread	\$35.00
15729	Seven-Pin, internal thread	\$35.00
15728	Seven-socket, external thread	\$35.00
15755	Seven-Pin chassis mount, external thread	\$24.00
15762	Seven-socket chassis mount, external thread	\$27.00
15732	Dust cap for ext. thread seven-position connector	\$20.00
15733	Dust cap for int. thread seven-position connector	\$31.00

T-Grip Molding

Standard Features

- Designed for use in truck scale applications to prevent spillover into the pit
- Impact, tear and weather-resistant EPDM rubber
- Barbed web to hold molding in place
- Web thickness 0.22 in
- Available by the foot or 10 ft, 11 ft, 70 ft, 80 ft and 100 ft lengths
- Maximum continuous length is 450 ft



Part Number/Price

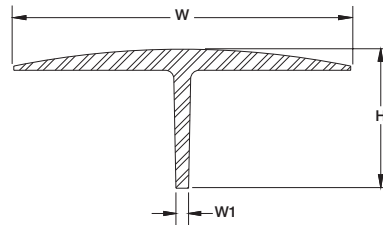
Part #	H	W	W1	Length	Price
18799	2.56 in	5.75 in	0.22 in	Sold by the foot	\$10.00/ft
18800	2.56 in	5.75 in	0.22 in	10 ft	\$95.00
18801	2.56 in	5.75 in	0.22 in	11 ft	\$105.00
18802	2.56 in	5.75 in	0.22 in	70 ft	\$695.00
33219	2.56 in	5.75 in	0.22 in	80 ft	\$795.00
33222	2.56 in	5.75 in	0.22 in	100 ft	\$995.00

Note: Maximum continuous length is 450 ft. Call for price and availability.

T-Strip Molding

Standard Features

- Designed for use in truck scale applications to prevent spill-over into the pit
- Impact, tear and weather-resistant SBR rubber
- Web thickness 0.25 in
- Available by the foot or in-10 ft, 11 ft, 70 ft, 80 ft and 100 ft lengths
- Maximum continuous length is 450 ft.



Part Number/Price

Part #	H	W	W1	Length	Price
18736	2.00 in	4.50 in	0.25 in	Sold by the foot	\$9.00/ft
18776	2.00 in	4.50 in	0.25 in	10 ft	\$90.00
18797	2.00 in	4.50 in	0.25 in	11 ft	\$99.00
18798	2.00 in	4.50 in	0.25 in	70 ft	\$630.00
33223	2.00 in	4.50 in	0.25 in	80 ft	\$720.00
33224	2.00 in	4.50 in	0.25 in	100 ft	\$895.00

Note: Maximum continuous length is 450 ft. Call for price and availability.

Electronic Scale Tickets

Standard Features

Hecon® Printers, EL522 & EL516 - 20266

- Carbon triplicate interleaved
- Size (W x L): 4.25 in x 7.875 in (127 mm x 200 mm)
- Order quantity: 500 per package

20266

DATE _____ No. _____

SELLER _____
BUYER _____

ADDRESS _____

CITY _____ STATE _____ ZIP _____

GROSS _____
TARE _____
NET _____

DRIVER ON OFF WEIGHED BY _____

FORM 510

Standard Features

SP2200, SP2000 - 20265

- Carbon triplicate interleaved, perforated and glued on one end
- Size (W x L): 5.5 in x 9 in (139.7 mm x 228.6 mm)
- Order quantity: 500 per package

Rice Lake Scales - 71630 or 105182

20265

ELECTRONIC SCALE TICKET No. _____

DATE _____

SELLER _____
BUYER _____

ADDRESS _____

CITY _____ STATE _____ ZIP _____

COMMODITY _____

PRICE _____

REMARKS _____

DRIVER ON OFF _____

WEIGHER _____

Form ES-4

Standard Features

- Carbonless duplicate or triplicate
- Size (W x L): 4.25 in x 7 in (107 mm x 177.8 mm) attached at 4.25 side
- Order quantity: 500 per package
- Custom (Duplicate): Add company name (min. order two packs)
- Custom (Triplicate): Add company name (min. order two packs)

Blank Scale Ticket - 22263

Customer Name: _____

Driver On p _____
Driver Off p _____

Customer Signature: _____

RICE LAKE
Weighing Systems

Standard Features

- 3-part carbonless
- White, canary yellow and pink
- Size (W x L): 4.25 in x 5.5 in (108 mm x 140 mm)
- Attached at 4.25 edge
- Custom: Add company name (min. order of 1,000)

Part Number/Price

Part #	Description	Price
20266	Hecon printers, EL522 & EL516, 500/pack	\$110.40
20265	SP2200, SP2000, EL250 & EL500, 500/pack	\$114.00
71630	Rice Lake ticket, two part, 500/pack	\$60.00
105182	Rice Lake ticket, three part, 500/pack white, canary yellow, pink	\$86.50
22263	Blank scale ticket, each	\$0.25 each

Mechanical Scale Tickets

Standard Features

Fairbanks™ Scales - 20260

- Carbonless triplicate with 2 in (50.8 mm) tear-off flap
- Size (W x L): 4.75 in x 1.875 in (120.7 mm x 47.6 mm)
- Order quantity: 500 per package

WEIGHED ON A FAIRBANKS SCALE				No.
Load	_____	Date	_____	Received by
From	_____			
Gross	_____ lbs.	To	_____	
Tare	_____ lbs.	Address	_____	
Net	_____ lbs.	Price	_____ Amt. _____	
On	_____	Off	_____ Weigher _____	

Form 333A Printed in U.S.A.

Standard Features

Howe™ Scales - 20261

- Carbon triplicate with 2 in (50.8 mm) tear-off flap
- Size (W x L): 5.5 in x 1.75 in (139.7 mm x 44.5 mm)
- Order quantity: 500 per package

Weight obtained by using THE HOWE PATENTED RECORDING BEAM		No.
From	_____ To	_____
Gross	Load of _____	
Tare	Driver { On _____	
Fees	Off _____ Date _____ 20 _____	
Net	_____ Weigher _____	

Part Number/Price

Part #	Description	Price
20260	Fairbanks scales, 500/pack	\$78.00
20261	Howe scales, 500/pack	\$78.00

Create Your Own Custom Ticket

Standard Features

- Send us a copy of the existing custom format or drawing of a completely new one. Please specify number of carbon copies, dimensions, colors and text. Minimum order quantity may apply.



Printer Dust Covers



Standard Features

- Tough, flexible transparent vinyl, constructed with heavy-duty stitching
- Loose fit allows for operation of switches or controls through the dust cover
- Available for most types of scale equipment

Protect your electronic scales, weight indicators and printers with a dust cover. Reduce costly repairs and downtime due to moisture penetrating through instrument enclosures during cleanup or operation.

Part Number/Price

Part #	Model	Price
EPSON®		
29582	TM290/295	\$58.00
35666	TM-U200 TM-U220	\$63.00
111840	TM-U590	\$69.00
Oki-Data®		
21208	Oki-Data 184 Turbo Printer	\$69.00
21226	Oki-Data 320/390	\$69.00

Custom covers and specials available; consult factory.

Printer Cables



156809 (1m)
156811 (3m)
156815 (5m)



156817 (1m)
156818 (3m)
156821 (5m)



156806 (1m)
156807 (3m)
156808 (5m)



Part Number/Price

Part #	Description	Price
Interface Cables for TicketPress, SP-2200, TM-U295, TM-U590 and Star® Printers		
15547	Blunt end, 25-pin D-sub male RS-232 serial interface cable	\$70.00
15548	25-pin D-sub male to 25-pin D-sub male 20 mA serial interface cable (SP2200 only)	\$70.00
15568	25-pin D-sub male to 25-pin D-sub male RS-232 serial interface cable	\$70.00
Consult	Custom 20 mA/RS-232 serial interface cable	\$95.00
Interface Cables for I-Class		
15547	Blunt end, 25-pin D-sub male RS-232 serial interface cable	\$70.00
Consult	Custom RS-232 interface cable	\$95.00
Interface Cables for Desktops, GoDEX Models, Zebra, E-4203 and M-4206		
41276	DB9 male RS-232 cable to blunt end	\$70.00
Straight Cable		
70056	DB9 male to DB9 female	\$40.00
50749	DB9 female to DB9 female	\$60.00
41279	DB25 male to DB9 male	\$70.00
72440	DB25 male to DB9 female	\$67.00
Null Modem Cable		
66535	DB9F to DB9 female, Null modem	\$46.00
64794	DB9 male to DB9 female	\$69.00
USB Cable		
79074	USB-A (male) to USB-B (male) cable, 6 ft	\$35.00
153603	USB to nine-pin male RS-232 adapter	\$96.00
156806	USB-A (male) to USB-A (male) cable, 1 m	\$35.00
156807	USB-A (male) to USB-A (male) cable, 3 m	\$50.00
156808	USB-A (male) to USB-A (male) cable, 5 m	\$60.00
156809	USB-A (male) to USB-B (male) cable, 1 m	\$55.00
156815	USB-A (male) to USB-B (male) cable, 3 m	\$55.00
156811	USB-A (male) to USB-B (male) cable, 5 m	\$70.00
Ethernet Cable/RJ45		
72697	RJ45 to RJ45, 7 ft	\$40.00
78860	RJ45 to RJ45, cross over 7 ft	\$40.00
75594	RJ45 to nine-pin female	\$70.00
156817	RJ45, 1 m	\$35.00
156818	RJ45, 3 m	\$42.00
156821	RJ45, 5 m	\$50.00
Misc. Cables and Adapters		
22436	Blunt end, nine-pin D-sub female	\$67.00
130213	Blunt end DB25 male	\$58.00
165698	Female to male gender changer	\$11.25
119064	Stimline, Null modem gender changer, DB9 female/female	\$11.00
130789	Null modem DB9 M/F	\$13.00

Blunt-end cables interface to: UMC444, UMC555, UMC600, IQ700, IQ plus® 310A, IQ plus® 355, IQ plus® 390-DC, IQ plus® 510, IQ plus® 590-DC, IQ plus® 710, IQ plus® 800, and IQ plus® 810, 520 and 920i®

Custom cables are designed to interface with your specific equipment. Please specify equipment model number and connector type. Standard cable length is 5 ft.

Static Brushes



Part #	Staticmaster Part #	Description	Price
76669	1C200	Static brush 1 in	\$140.00
76670	1C200R	Replacement cartridge	\$90.00

Static Brushes



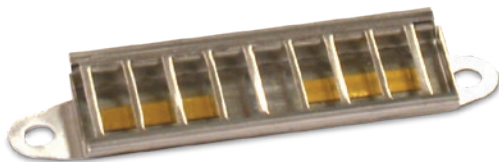
Part #	Staticmaster Part #	Description	Price
76671	3C500	Static brush 3 in	\$210.00
76672	3C500R	Replacement cartridge	\$145.00

Ionizing Strips



Part #	Staticmaster Part #	Description	Price
76677	1U400	Ionizing unit 1 in x 1 in	\$145.00
76678	1U200	Ionizing unit 1 in x 1 in	\$90.00
76676	2U500	Ionizing unit 1 in x 3 in	\$145.00

Ionizing Strip Accessories



Part #	Staticmaster Part #	Description	Price
76679	BF1	Ionizer positioner	\$73.00
76680	BF2	Ionizer positioner only - C bracket	\$105.00

Desiccants

Standard Features

- Packets
- Bagged desiccants to protect your enclosed electronic components from moisture and humidity
- Useful in junction boxes, indicators and all scale electronics



Part Number/Price

Part #	Description	Price
16038	Mini Pax® 7 g	\$1.22
16039	NatraSorb® 20g	\$2.23
92240	Silica gel 1 unit pkg 3 g	\$1.17

Industrial Corrosion Inhibitor

Standard Features

- Special chemical combination provides superior protection
- Protects 5 cubic feet/1.4 cubic meters of enclosure volume for approximately one year
- Dimensions: (W x H) 2.5 in x 1.5 in (63.5 mm x 38.1 mm)



Part Number/Price

Part #	Description	Price
16037	Corrosion inhibitor	\$42.00

Crimper and Lead Seals

Standard Features

Crimper

- 5 in (127 mm) seal press with two 0.5 in (12.7 mm) engraving dies
- Chrome finish
- Maximum number of characters that can be engraved on die is 9
- Compound leverage
- Quick delivery on custom dies

Lead Seals

- Heavy-duty seal with galvanized steel wire
- Length 16 in (406 mm)



Part Number/Price

Part #	Description	Price
21111	Crimper and two die blanks	\$148.00
15318	Crimper die blank (replacements)	\$64.00
15317	100 seals/pkg	\$53.00

Static Control Table Mat and Floor Mat



An absolute must for every workbench, this kit includes a 3-layer 2 ft x 4 ft table mat, 4 ft x 6 ft floor mat, ground cord and adjustable wrist strap. Designed specifically for energized circuit work, the static control table and floor mat provide superior protection against ESD.

Part Number/Price

Part #	Description	Price
34265	Static control table mat and floor mat	\$900.00

Static Control Wrist Strap



The single most important personal accessory for protecting ESD sensitive components and circuits, this wrist strap protects against charges from the body. The wrist strap consists of a comfortable elastic cuff or band and a detachable conductive cord for grounding the wrist band.

Part Number/Price

Part #	Description	Price
34263	Static control wrist strap	\$58.00

Static Shielding Bags



This static shield bag offers total ESD protection, whether you're transporting ESD-susceptible products across the room or across the country. The outer layer of the bag consists of an abrasion-resistant polyester, while the antistatic polyethylene inner layer retards triboelectric static charging from inside the bag.

Part Number/Price

Part #	Description	Price
16150	Static shielding bags, 8 in x 10 in	\$1.17 each
16151	Static shielding bags, 12 in x 18 in	\$3.45 each

Static-Safe Service Kit

Standard Features

- Eliminates static for safe board replacement
- Connects a field service technician and the static-safe work surface to the same ground point
- Harmlessly drains static charges from the body and from any conductive objects placed on the mat
- Folds into a compact unit for transport and storage



Part Number/Price

Part #	Description	Price
32818	Static-safe service kit	\$206.00

Rice Lake's Scale Technician Kits

Take Rice Lake's commitment to customer service into the field. Rice Lake's Scale Technician Kit has everything you need in one convenient backpack to troubleshoot and repair wherever you are.

PN 166205 Technician Tool Kit \$1,050.00

- Rice Lake backpack
- Simulator with vernier
- Digital volt meter
- Communication Kit



PN 166204 Communication Kit \$135.00

- Cinch sack
- Document Kit
- Six-in-one screwdriver
- Small RLWS screwdriver
- Test LEDs
- USB to serial converter
- DB9M to DB9F straight cable
- DB9F to blunt end cable
- DB25M to blunt end cable
- Female to female DB9 null modem adaptor
- Female to male DB9 gender changers
- Null modem adaptor
- TCP/IP patch cable
- TCP/IP crossover cable



PN 166203 Document Kit \$10.50

- Pinouts for a DB9 and DB25 cable shows both male and female connectors
- Pinouts and color codes for a patch and crossover Ethernet cable
- Recommended maximum cabling distances of RS-232, 20mA, 485 and Ethernet TCP/IP
- Standard ASCII chart in both decimal and hexadecimal
- Links to website to download latest version of Revolution® and iRev® (on CD)
- Link to freeware terminal program download (PUTTY, Hercules, RealTerm. etc.)
- Load cell color wire chart
- Weigh Modules and Vessel Weighing Handbook PN 43918
- Load Cell and Weigh Module Handbook PN 22054



PN 118432 Small Screwdriver \$3.00

