



# RL50225TA

Mild Steel, Mini Tank Weigh Module Kit



## Complete Kit Includes

- Three or four neoprene isolation/compression mounts with load cells  
50 to 250 lb mild steel: RL50225
- One JBASS NEMA Type 4X stainless steel signal trim junction box
- 25 ft of hostile environment EL147HE SURVIVOR® load cell cable

## Standard Features

- Zinc plated mild steel assemblies
- Weighing ranges from 50 to 250 lb per module
- Neoprene isolation mounts allow for minor misalignment, thermal expansion and shock absorption
- Overload stop provides durability

## Applications

- Small tanks and hoppers
- Conveyor/In-motion weighing
- Small platform scales where minor shock loading may occur

Picture is a representation of actual product.

### Load Cell Approvals



### Order Information

Load Rating (Per Module)	Part #	Price
<b>Single Module (Includes Load Cell)</b>		
50 lb	232143	Consult
100 lb	232142	Consult
150 lb	232144	Consult
250 lb	232145	Consult
<b>3-Module Kit</b>		
50 lb	232147	Consult
100 lb	232149	Consult
150 lb	232151	Consult
250 lb	232153	Consult
<b>4-Module Kit</b>		
50 lb	232148	Consult
100 lb	232150	Consult
150 lb	232152	Consult
250 lb	232154	Consult

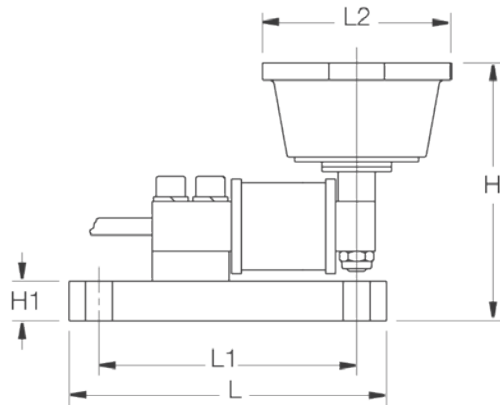
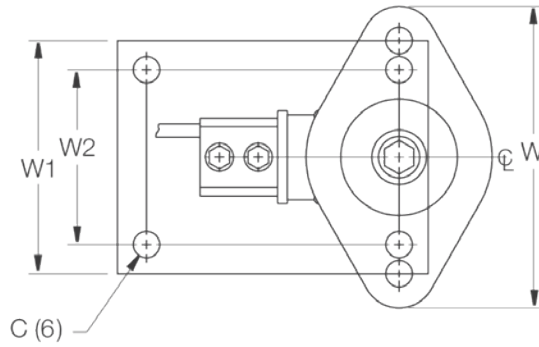
WEIGH MODULES

# RL50225TA

Mild Steel, Mini Tank Weigh Module Kit

## Dimensions

Rated Capacity	C	C1	H	H1	L	L1	L2	W	W1	W2	W3
50 to 250	0.34	-	3.13	0.50	4.00	3.25	2.38	3.88	3.00	2.25	-



WEIGH MODULES