



Approvals



Measurement
Canada
Approved

Part Number/Price

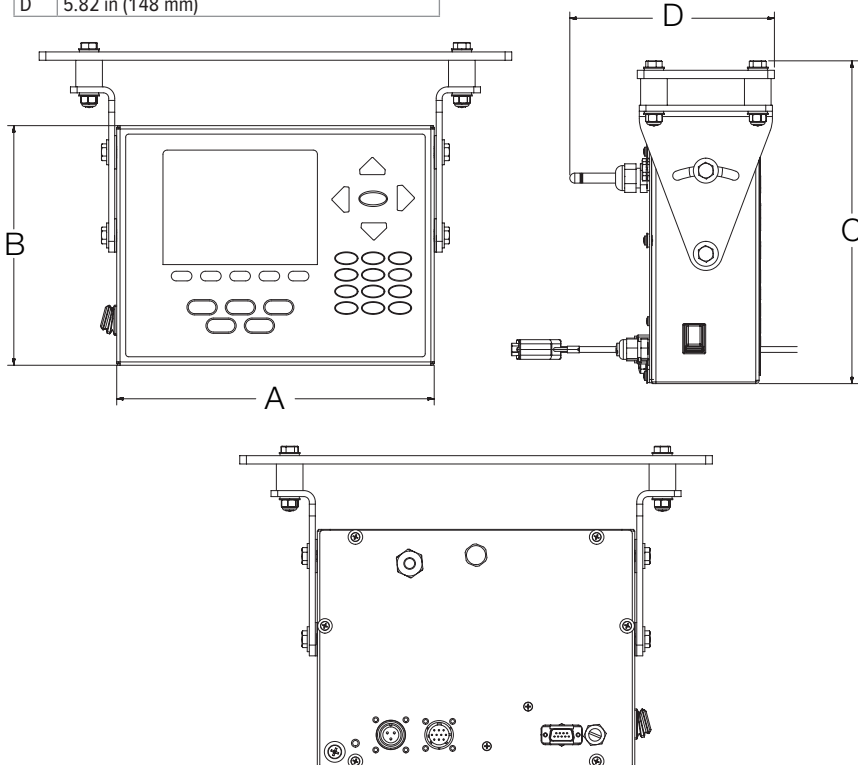
Part #	Description	Price
162112	CLS-920i indicator with mounting brackets, 9 to 36 VDC	Consult

Options/Accessories

Part #	Description	Price
96915	Power cable assembly	Consult
125395	Coiled cable assembly	Consult
163353	RS-232 data cable, DB9	Consult

Dimensions

CLS-920i	
A	9.54 in (242 mm)
B	7.20 in (183 mm)
C	9.71 in (247 mm)
D	5.82 in (148 mm)



Standard Features

- LCD display
- Standard program
 - Weight indication
 - Configuration
 - Calibration
 - Diagnostics
- Front panel calibration
- On/Off switch to conserve forklift battery life
- Painted mild steel enclosure
- Two-piece top cage indicator mounting assembly with vibration mounts
- Two available RS-232 ports for added options of scanner, Wi-Fi or printer
- 9 to 36 VDC power supply for use on gas powered or electric forklifts

Note: For custom user program, please contact the factory

Specifications

Power:

Line voltage: 9 to 36 VDC, DC input

Power Consumption:

1.5 A max fused at 5.0

Temperature:

Certified: 14 °F to 104 °F (-10 °C to 40 °C)
Operating: 14 °F to 122 °F (-10 °C to 50 °C)

Wireless LAN Option:

Contains FCC ID: R68WIPORATG
Range: Up to 328 ft indoors
Operating frequency: ISM 2.4 GH

Warranty:

Two-year limited

Approvals:

NTEP 06-074, 5,000 lb only, Class III, 1,000d
Measurement Canada AM-5893, Class III