

Dimensioning

TABLE OF CONTENTS

iDimension® Plus	330
<i>Static Dimensioning System</i>	
iDimension® Plus Mobile Cart	333
iDimension® Plus XL / OEM Series	334
<i>Static Dimensioning System</i>	
iDimension® PWD System	337
<i>Pallet Weighing and Dimensioning System</i>	
iDimension® LTL	339
<i>Pallet Dimensioning System</i>	
iDimension® LTL XL	341
<i>Pallet Dimensioning System</i>	
iDimension® SS	343
<i>Integration Software</i>	

Product names, logos, brands and other trademarks featured or referred to within this publication are the property of their respective trademark holders.

iDimension® Plus

Static Dimensioning System

DIMENSIONING



Standard Features

- Easy to assemble in 30 minutes or less
- Displays dimensions in less than 2 seconds
- Automatic scan and dimension, no special package placement required
- Includes 7 in (178 mm) touch screen monitor
- Dimensions parcels at 0.2 in (5 mm) NTEP Legal for Trade accuracy
- Dimensions irregular shapes and polybags at 0.5 in NTEP Legal for Trade accuracy
- Capable to dimension opaque packaging
- Measurement capabilities beyond Legal for Trade limits
- Standard resolution color camera included
- High resolution color image, 2880 x 2160 pixels, available from iDimension Plus 4 K

Peripherals

- Optional powered USB hub for use of more than one peripheral
- Optional wired or wireless USB bar code scanner
- Dimensions and bar code text data added to web service API
- Rice Lake BenchPro shipping/postal scales
- Rice Lake 680, 880, 1280 indicators available for automation applications

Specifications

System Requirements:

Windows® 10

Power Requirements:

Single power source 110 to 240 V external power supply, US power cord

Communication Ports:

- (1) USB A
- (1) 10/100/100 Base-T Ethernet

Software Integration:

API and SDK files available for network device integration
iDimension Desktop Wedge

Package Contents:

iDimension Plus, calibration object, USB display, US power cord and assembly tool kit

Operating Temperature:

32 °F to 104 °F (0 °C to 40 °C)

Humidity:

Non-condensing

Warranty:

Two-year limited

Approvals:

NTEP 19-040A2
OIML R129/2000-A-NL1-20.05
CE Marked
MID Certified
NMI

Approvals



Measurement Capabilities Based on Pole Assembly Height

Model	1.2 m		1.5 m	
	48 in (1,200 mm)		60 in (1,500 mm)	
Platform Distance				
Min/Max	Min	Max	Min	Max
Length	1.2 in (30 mm)	40 in (1,000 mm)	1.2 in (30 mm)	48 in (1,200 mm)
Width	1.2 in (30 mm)	24 in (600 mm)	1.2 in (30 mm)	32 in (800 mm)
Height	0 in (0 mm)	24 in (600 mm)	0 in (0 mm)	28 in (700 mm)
Division	0.2 in (5 mm)		0.2 in (5 mm)	

Legal for Trade approved minimum and maximum measurements are available from the country specific certificate of approval.

Part Numbers/Price

Part #	Description	Price
Parcels less than 40 inches (1.2m pole)		
204599	iDimension Plus 1.2 m pole assembly	\$7,245.00
204600	iDimension Plus 4K 1.2 m pole assembly	\$8,845.00
Parcels less than 48 inches (1.5m pole)		
204596	iDimension Plus 1.5 m pole assembly	\$7,245.00
204598	iDimension Plus 4K 1.5 m pole assembly	\$8,845.00
Accessories		
180007	Kit USB Hub, 5 m cable assembly, power adapter, 4-port industrial hub, US power supply	\$280.00
205533	Power cord, detachable, German/French, 5 m, CEE 7/7, Type E plug	\$45.00
95589	Power cord, detachable, BS 1363 Type G Plug, UK, 2.5 m	\$21.00
162630	Power cord, AU/NZ 3112 Type I	\$35.00
178501	RS-232/USB cable, for use with compatible indicators	\$60.00



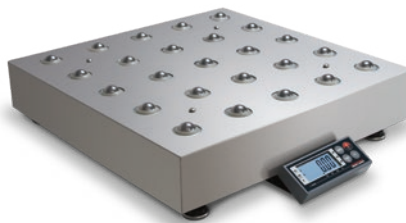
Part Numbers/Price

Part #	Description	Price
Bar Code Scanner		
176307	QuickScan QD2131 USB bar code scanner; keyboard wedge emulation mode only (alpha/numeric)	\$275.00
206225	Wireless Honeywell 1981IFR-3USB-5-N long-range bar code scanner	\$1,800.00
206228	Honeywell 1981IFR-3USB-5-N power supply scanner	\$75.00
UPS Worldship Interface		
180771	Kit, USB hub for BenchPro scale and UPS Worldship compatibility (includes interface cable for RS-232 & USB to computer)	\$430.00
Optional Integration Solutions		
203010*	iDimension Desktop Wedge for Windows 10	N/C
175812	iDimension SS (software suite) web server software (Windows 10 required)	\$2,250.00
Optional Factory Service and Support		
202027	Level 1 remote support, iDimension Plus initial configuration and scale setup	\$250.00/Unit
202029	Level 2 remote support, iDimension Plus advanced configuration and software setup	\$450.00/Hour
Extended Warranty – 2 year standard		
202030	iDimension Plus additional 1 year extended warranty	\$750.00
202031	iDimension Plus additional 2 year extended warranty	\$1,500.00
202032	iDimension Plus additional 3 year extended warranty	\$2,250.00
Rice Lake BenchPro Compatible Scales		
Postal Scale 12 × 14 in (305 × 356 mm) Weight Platter		
194625**	Model BP 1214-35P - 70 lb Postal Scale, painted mild steel weight platter	\$724.00
Shipping Scale 12 × 14 in (305 × 356 mm) Weight Platter		
184585	Model BP 1214-75S, 150 × 0.05 lb / 75 × 0.02 kg painted mild steel weight platter	\$725.00
Shipping Scale 18 × 18 in (457 × 457 mm) Weight Platter		
202191	Model BP 1818-75S, 150 × 0.05 lb / 75 × 0.02 kg, painted mild steel weight platter	\$1,590.00
201730	Model BP 1818-75S, 150 × 0.05 lb / 75 × 0.02 kg ball top weight platter	\$1,835.00
202190	Model BP 1818-75S, 150 × 0.05 lb / 75 × 0.02 kg roller conveyor weight platter	\$1,650.00
Shipping Scale 20 × 20 in (508 × 508 mm) Weight Platter		
182396	Model BP 2020-150S, 300 × 0.1 lb /150 × 0.05 kg, painted mild steel weight platter	\$1,805.00
182397	Model BP 2020-150S, 300 × 0.1 lb /150 × 0.05 kg, ball top weight platter	\$2,035.00
182398	Model BP 2020-150S, 300 × 0.1 lb /150 × 0.05 kg, roller conveyor weight platter	\$1,769.00
Shipping Scale 24 × 24 in (610 × 610 mm) Weight Platter		
182400	Model BP 2424-150S, 300 × 0.1 lb /150 × 0.05 kg, painted mild steel weight platter	\$2,005.00
182401	Model BP 2424-150S, 300 × 0.1 lb /150 × 0.05 kg, ball top weight platter	\$2,240.00
182402	Model BP 2424-150S, 300 × 0.1 lb /150 × 0.05 kg, roller conveyor weight platter	\$1,939.00

*Available for free download at www.ricelake.com **USB HID interface not available when in the Postal Scale lb/oz mode



Model BP 1214-S with mild steel shroud



Model BP 1818-S with ball top shroud



Model BP 2424-S with roller conveyor weight platter

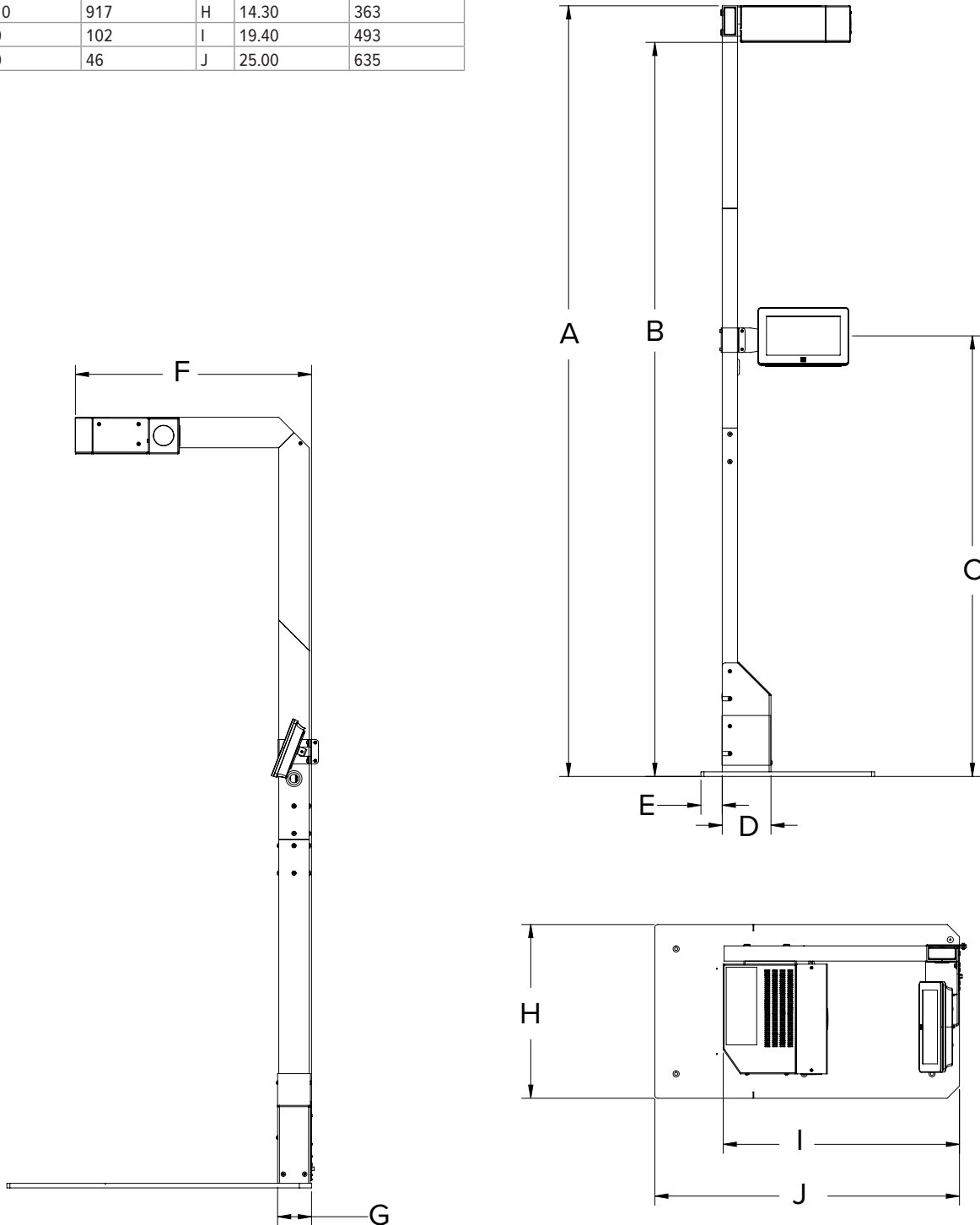
iDimension® Plus

Static Dimensioning System

DIMENSIONING

Dimensions

	Inches	Millimeters	Inches	Millimeters	
A	63.20	1,605	F	19.40	493
B	60.20	1,529	G	2.80	71
C	36.10	917	H	14.30	363
D	4.00	102	I	19.40	493
E	1.80	46	J	25.00	635



iDimension® Plus Mobile Cart

Mobile Parcel System

DIMENSIONING



30in with PowerSwap
Nucleus Lithium Power System



48in with Sealed
Lead Power System

iDimension & scale
not included

Standard Features

- One top shelf, push handle with laptop shelf, waste basket, 6 × 2 in rubber wheels with two locking casters, integrated power system and power strip

Specifications

Color:

Black powder coat

Battery Type:

PowerSwap Nucleus® Lithium Power System
Sealed Lead Power System

Charge Time:

8 hours

Power:

120 VAC @ 1 battery, 240 VAC @ 2 batteries

Overall Cart Capacity:

125 lb (57 kg),
not including iDimension Plus and scale

Part Numbers/Price

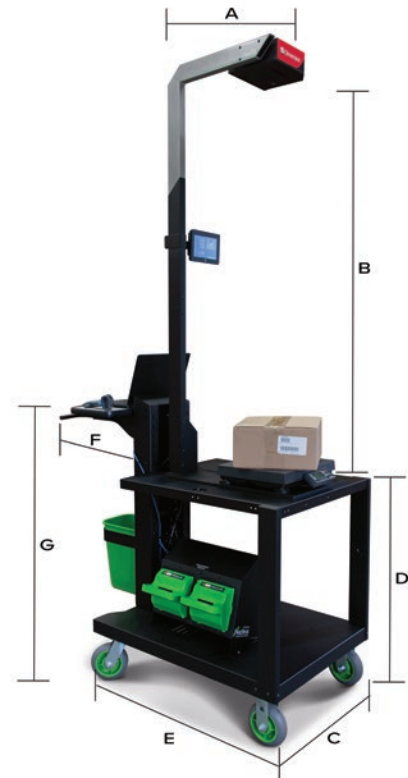
Part #	Description	Est. Weight	Price
203934*	30 in (762 mm) Long Atlas Series cart	310 lb	\$5,295.00
203935*	48 in (1,219 mm) Long Atlas Series cart	330 lb	\$5,895.00
PowerSwap Nucleus Lithium Power System			
212177	Dual battery charging system. Kit includes: dual pocket docking station, dual pocket charging station and 2 batteries.		\$6,295.00
212179	Single battery charging system. Kit includes: single pocket docking station, dual pocket charging station and 1 battery.		\$4,395.00
Sealed Lead Acid Power System			
212180	PowerPack Mega Series PP12 sealed lead acid		\$2,270.00
Replacement Parts			
200191	2 Bay charging station, model PWC-2	N/A	\$1,995.00
200192	Lithium Iron Phosphate 36Ah battery, model PSNU3.6	N/A	\$1,800.00

Rice Lake Weighing System recommends using only the BenchPro Model BP1214 due to the overall cart capacity

*Select cart size and battery type to complete your solution.

Dimensions

	Inches	Millimeters
A	27.00	686
B	63.50	1,613
C	26.00	660
D	33.00	838
E	49.00 or 67.00	1,245 or 1,702
F	12.00	305
G	20.00 to 44.00 (adjustable shelf)	508 to 1,118 (adjustable shelf)



iDimension® Plus XL / OEM Series

Static Dimensioning System

DIMENSIONING



Shown with optional stand, conveyor not included

The iDimension Plus XL / OEM Series includes the iDimension Plus scanning head, LCD operator touchscreen display, US power supply and calibration object. This kit is designed for maximum mounting flexibility and integration into existing structures. The iDimension Plus standard 1.2 or 1.5 pole assembly are not included.

Approvals



iDimension Plus XL

Model	XL at 1.2 m		XL at 1.5 m		XL at 2 m	
Platform Distance	48 in (1,200 mm)		60 in (1,500 mm)		80 in (2,000 mm)	
Min/Max	Min	Max	Min	Max	Min	Max
Length	1.2 in (30 mm)	40 in (1,000 mm)	1.2 in (30 mm)	48 in (1,200 mm)	8 in (203 mm)	48 in (1,200 mm)
Width	1.2 in (30 mm)	24 in (600 mm)	1.2 in (30 mm)	32 in (800 mm)	8 in (203 mm)	32 in (800 mm)
Height	0 in (0 mm)	24 in (600 mm)	0 in (0 mm)	28 in (700 mm)	4 in (102 mm)	32 in (800 mm)
Division	0.2 in (5 mm)		0.2 in (5 mm)		0.5 in (10 mm)	

Legal for trade approved minimum and maximum measurements are available from the country specific certificate of approval.

Part Numbers/Price

Part #	Description	Price
204601	iDimension Plus XL	\$5,295.00
204602	iDimension Plus XL 4K	\$7,345.00
XL Mounting Options		
174660	iDimension XL floor stand with packaging	\$1,400.00
198708	iDimension XL mounting hardware and cable assembly kit with 25 ft North American power cord	\$175.00
206583	iDimension XL mounting hardware and cable assembly kit without power cord	\$175.00
184262	iDimension USB operator display RAM® mount kit	\$145.00

Standard Features

- Easy to assemble in 30 minutes or less
- Displays dimensions in less than 2 seconds
- Automatic scan and dimension, no special package placement required
- Includes 7 in (178 mm) touch screen monitor
- Dimensions parcels at NTEP 0.5 inch (10 mm) Legal for Trade accuracy
- Dimensions irregular shapes and polybags at 0.5 inch NTEP Legal for Trade accuracy
- Capable to dimension opaque packaging
- Measurement capabilities beyond Legal for Trade limits
- Standard resolution color camera included
- High resolution color image, 2,880 x 2,160 pixels, available from iDimension Plus 4 K

Peripherals

- Optional powered USB hub for use of more than one peripheral
- Optional wired or wireless bar code scanner
- Rice Lake BenchPro shipping/postal scales
- Rice Lake 680, 880, 1280 indicators available for automation applications

Options

- iDimension XL mounting hardware and cable assembly kit (includes sensor mounting bracket, 25 ft US power card and two 10 ft USB Type A extension cables)
- RAM® mount kit for USB display
- Floor mount stand assembly

Specifications

System Requirements:

Windows® 10

Power Requirements:

Single power source 110 to 240 V external power supply, US power cord

Communication Ports:

- (1) USB A
- (1) 10/100/100 Base-T Ethernet

Software Integration:

API and SDK files available for network device integration
iDimension Desktop Wedge
iDimension Software Suite

Package Contents:

iDimension XL scanner head, calibration object, USB display and US power cord

Operating Temperature:

32 °F to 104 °F (0 °C to 40 °C)

Humidity:

Non-condensing

Warranty:

Two-year limited

Approvals:

NTEP 19-040A2
OIML R129/2000-A-NL1-20.05
CE Marked
MID Certified
NMI

iDimension® Plus XL / OEM Series

Static Dimensioning System

DIMENSIONING

Part Numbers/Price

Part #	Description	Price
Accessories		
180007	Kit, USB hub, 5m cable assy, power adapter, 4 port industrial hub, North America power supply	\$280.00
205533	Power cord, detachable, German/French, 5 m	\$45.00
95589	Power cord, detachable, UK, 2.5 m	\$21.00
178501	RS-232/USB cable, for use with compatible indicators	\$60.00
Bar code Scanner		
176307	QuickScan QD2131 USB bar code scanner, keyboard wedge emulation mode only (alpha/numeric)	\$275.00
206225	Wireless Honeywell 1981IFR-3USB-5-N long-range bar code scanner	\$1,800.00
206228	Honeywell 1981IFR-3USB-5-N power supply scanner	\$75.00
UPS Worldship Interface		
180771	Kit USB hub for BenchPro Scale and UPS worldship compatibility, includes interface cable for RS-232 & USB to PC	\$430.00
Integration Solutions		
203010*	iDimension Desktop Wedge for Windows 10	N/C
175812	iDimension SS (software suite) web server software (Windows 10 required)	\$2,250.00
Optional Factory Service and Support		
202027	Level 1 remote support, iDimension Plus configuration and scale setup	\$250.00/Unit
202029	Level 2 remote support, iDimension Plus advanced configuration and software setup	\$450.00/ Hour
Extended Warranty – 2 year standard		
202030	iDimension Plus additional 1 year extended warranty	\$750.00
202031	iDimension Plus additional 2 year extended warranty	\$1,500.00
202032	iDimension Plus additional 3 year extended warranty	\$2,250.00

Rice Lake BenchPro Compatible Scales

Shipping Scale 20 × 20 in (508 × 508 mm) Weight Platter

182396	Model BP 2020-150S, 300 × 0.1 lb /150 × 0.05 kg, painted mild steel weight platter	\$1,805.00
182397	Model BP 2020-150S, 300 × 0.1 lb /150 × 0.05 kg, ball top weight platter	\$2,035.00
182398	Model BP 2020-150S, 300 × 0.1 lb /150 × 0.05 kg, roller conveyor weight platter	\$1,769.00

Shipping Scale 24 × 24 in (610 × 610 mm) Weight Platter

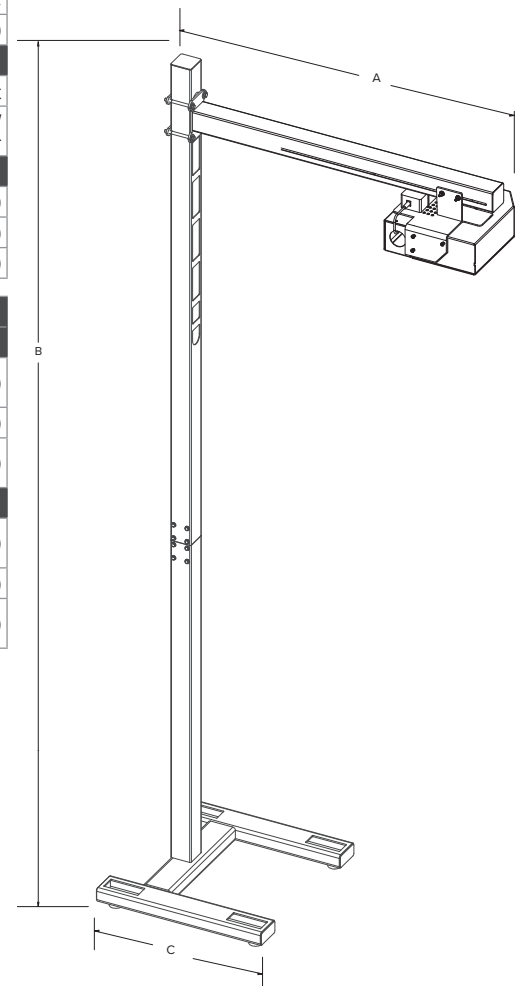
182400	Model BP 2424-150S, 300 × 0.1 lb /150 × 0.05 kg, painted mild steel weight platter	\$2,005.00
182401	Model BP 2424-150S, 300 × 0.1 lb /150 × 0.05 kg, ball top weight platter	\$2,240.00
182402	Model BP 2424-150S, 300 × 0.1 lb /150 × 0.05 kg, roller conveyor weight platter	\$1,939.00

*Available for free download at www.ricelake.com

**USB HID interface not available when in the Postal Scale lb/oz mode



For more Elevated Load Cell Stand, please see page 584



Optional iDimension Plus XL Floor Mount Stand Assembly Dimensions

	Inches	Millimeters
A	47.34	1,202
B	123.13	3,128
C	24.21	615

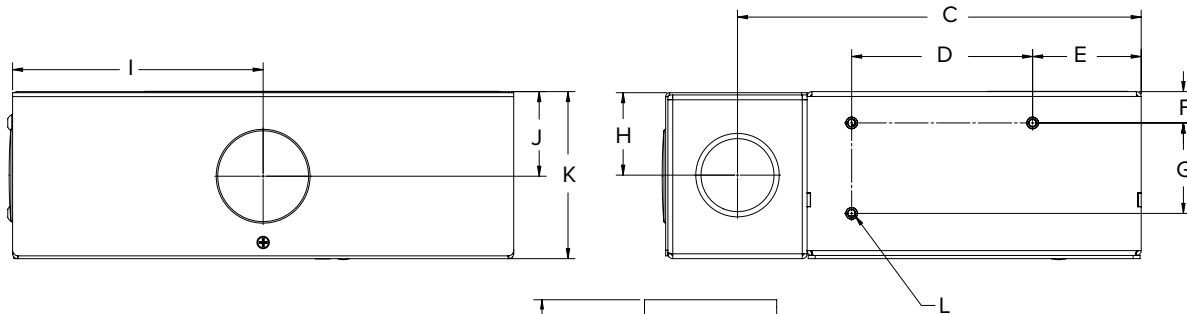
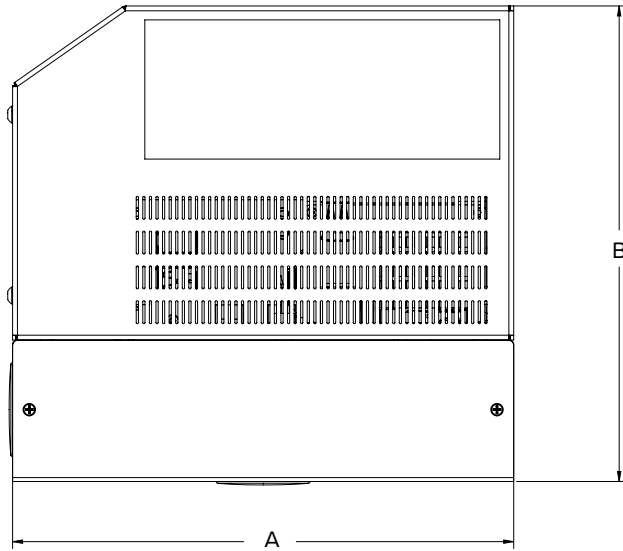
iDimension® Plus XL / OEM Series

Static Dimensioning System

DIMENSIONING

Dimensions - iDimension Plus XL Scanning Head Assembly

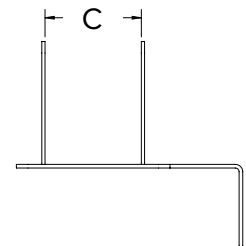
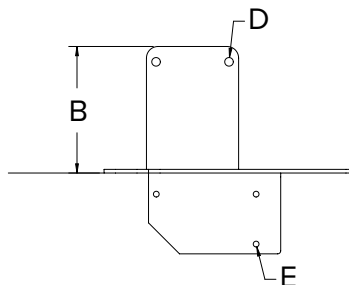
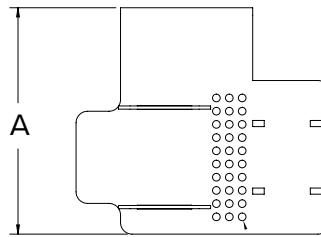
	Inches	Millimeters	Inches	Millimeters	Inches	Millimeters		
A	9.00	229	F	0.60	15	K	3.00	76.00
B	8.50	216	G	1.60	41	L	M4 × 0.7 threaded hole	
C	7.20	183	H	1.50	38			
D	3.30	84	I	4.50	114			
E	2.00	51	J	1.50	38			



Dimensions - iDimension XL Mounting Bracket - PN 198708

	Inches	Millimeters
A	7.37	187
B	4.12	105
C	3.14	80
D	2x Ø.28	
E	3x Ø.19	

Use this bracket to mount iDimension XL Scanner head to the optional floor stand 174660 or to user provided structure



iDimension® PWD System

Pallet Weighing and Dimensioning System



Standard Features

- Integrated 5 × 5 ft floor scale, 5,000 lb capacity
- Pallet tare mode can measure objects on a pallet by excluding the pallet from the measurement (not Legal for Trade)
- Simple API network integration through HTTP requests, status checking and XML parsing
- Simple assembly and installation in less than a day

Options

- High resolution color camera
- Wired or wireless bar code scanner
- Access ramps for pallet jack access
- Overhead fifth sensor recommended for dimensioning highly reflective, IR sensitive or black pallet shrink wrap
- iDimensions SS or iDimension Desktop Wedge programs for data integration

Software Integration Program

- iDimension SS for storing data and images transferring data to ERP and WMS systems
- iDimension Desktop Wedge

Specifications

System Requirements:

Windows® 10

Legal for Trade Measurement Range:

(L x W x H)

Maximum:

72 × 72 × 72 in

(1,829 × 1,829 × 1,829 mm)

Minimum:

6 × 6 × 6 in

(152 × 152 × 152 mm)

Measurement Increment:

0.5 in (1 cm)

Performance Characteristics:

Weigh and dimensions in two seconds or less

Most surfaces are captured; transparent/translucent and glossy surfaces may provide a variance

Item Placement:

Centered on floor scale for best performance

Minimum Pallet Height:

4.25 in (108 mm) wood pallets

Shapes:

Solid shapes 3 in (76 mm) protrusions will be included in dimensions

Lighting Conditions:

Operates in any indoor lighting environment

System Contents:

iDimension PWD, 5 × 5 ft 5,000 lb scale, 12 × 12 × 12 in calibration object (test box)

Power Requirements:

Single power source (96 to 264 VAC) with 25 ft (7.62 m) power cable included

Optional Network Camera:

Wide angle POE network color camera with 3-axis camera angle adjustment. IP24 rating. Standard 2688 × 1606 pixels @ 751 kb standard output in .jpeg format. Configurable for time and date, scan ID, system serial #, dimensions and dimensional indicators.

Operating Temperature:

14 °F to 104 °F (-10 °C to 40 °C)

Humidity:

0 to 90% non-condensing

Warranty:

Two-year limited

Five-year limited, sensors only

Packaging Dimensions:

Crate 1: 101 × 80 × 30 in; 1,690 lb

(2,566 × 2,032 × 762 mm)

Crate 2: 83 × 68 × 35 in; 900 lb

(2,109 × 1,728 × 889 mm)

Approvals:

NTEP 19-076A2

Approvals



Part Numbers/Price

Part #	Description	Price
199318**	iDimension PWD System, NTEP approved with 5,000 × 1 lb capacity floor scale	\$32,450.00
System Options		
200168	2.4 mm POE network camera – up to 2 optional	\$875.00
199665	iDimension PWD pallet jack ramp	\$945.00
199666	Optional 5th overhead sensor	\$2,095.00
206304	PWD kiosk printer & scanner mounting shelf	Consult
Scanner, Printer and Digital Remote I/O Options		
206229	Wireless Honeywell long-range TCP/IP scanner kit for use with iDimension SS Software	\$2,695.00
176307	QuickScan QD2131 USB bar code scanner, keyboard wedge emulation mode only (alpha/numeric)	\$275.00
192721	Zebra ZD420D printer, direct thermal	\$745.00
37345	Label, roll 5 in dia, 1 in core	\$24.00
PC Options		
212433	JLT mobile PC touchscreen vehicle mount computer kit	\$3,250.00
Optional Integration Solutions		
203010*	iDimension Desktop Wedge for Windows 10	N/C
175812	iDimension SS (software suite) web server software (Windows 10 required)	\$2,250.00
Optional Factory Service and Support		
194215	Annual software maintenance	\$315.00
FLD-INSTALL	iDimension field install and training/day, travel and expenses not included	\$1,395.00
Extended Warranty – 2 year standard		
202033	iDimension PWD/LTL additional 1 year extended warranty	\$1,200.00
202034	iDimension PWD/LTL additional 2 year extended warranty	\$2,400.00
202035	iDimension PWD/LTL additional 3 year extended warranty	\$3,600.00

* Available for free download at www.ricelake.com

**Custom versions available for mounting spider assembly over pallet stretch wrappers or over a conveyor to weigh, wrap, and dimension all in one efficient step. Contact factory for custom pricing.

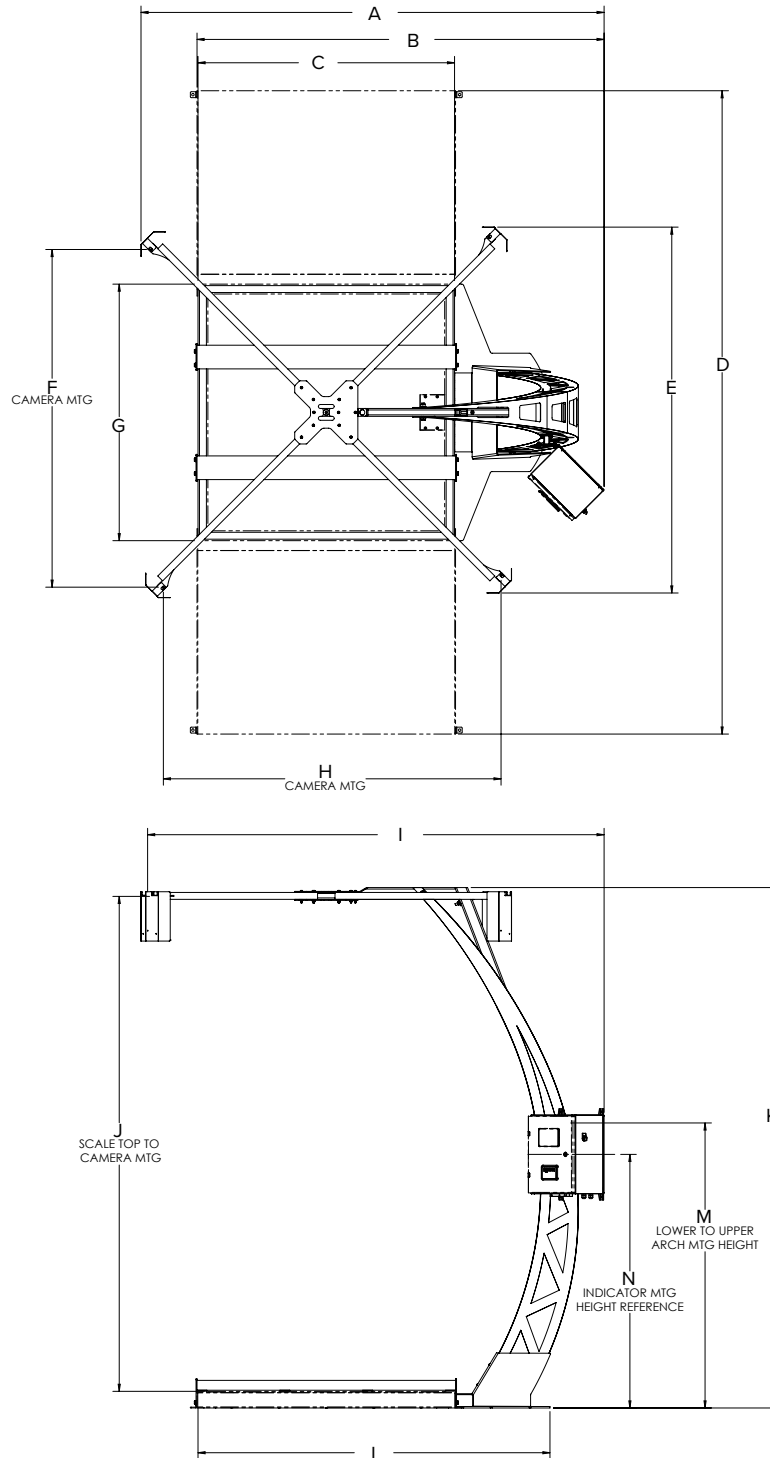
iDimension® PWD System

Pallet Weighing and Dimensioning System

DIMENSIONING

Dimensions

	Inches	Millimeters	Inches	Millimeters	Inches	Millimeters
A	117.34	2,980	F	85.56	K	131.86
B	103.14	2,620	G	65.00	L	89.18
C	65.00	1,651	H	85.56	M	72.22
D	163.00	4,140	I	115.66	N	64.25
E	92.70	2,355	J	125.41		





Standard Features

- 360 degree fork truck access for easy pallet placement in the target zone
- No moving parts, solid-state design
- Minimal set up and training required
- Four bounding box images identify measurement record. Image can be configured to include time and date, scan ID, serial number and dimensions iDimension web service interface REST API.

Options

- Up to two high-resolution color network cameras enable freight identification for damage assessment and tracking requirements
- Target zone LED light kit
- 23 inch operator display provides instantaneous feedback to the forklift or pallet jack operator
- iDimension SS integration program with customizable GUI. Manage triggering methods, data storage and data transfer tools. Incorporates optional bar code scanners, floor scales/forklift scales and printers.
- Stop/go license key to improve dimensioning throughput

Specifications

System Requirements:

Windows® 10

Legal for Trade Measurement Range: (L × W × H)

Maximum freight size:
96 × 96 × 96 in
(2,438 × 2,438 × 2,438 mm)
Minimum freight size:
12 × 12 × 12 in
(305 × 305 × 305 mm)

Measurement Increment:

0.5 in (10 mm)

Dimensioning Speed:

Within 2 seconds from trigger to scan completed

Performance Characteristics:

Most surfaces are captured, including black plastic shrink wrap. Transparent/translucent and glossy surfaces may provide a variance.

Stop & Go Measurement

Performance Characteristics:

Stop & Go eliminates the forklift image from the dimensioned measurements. Stop, trigger dimensioner and go in 2 seconds for legal for trade results. Best when used with a Rice Lake Legal for Trade fork lift scale.

Item Placement:

Single pallet within the center of the target zone for best performance

Minimum Pallet Height:

4.25 in (108 mm) wood pallets

Unobstructed Floor Space:

For best performance, provide a 11 x 11 ft area clear of walls, inventory racks, barriers or objects

Minimum Ceiling Height:

12.75 ft

Shapes:

Solid shapes, (3-inch protrusions or more) will be included in dimensions

Lighting Conditions:

Operates in any indoor lighting environment

Power Requirements:

Single power source (96 to 264 VAC), with 25 ft power cable

Optional Network Camera:

2.4 mm fixed POE network color camera with 3-axis camera angle adjustment. IP24 rating. Standard 2688 x 1606 pixels, 96 dpi @ 751kb standard output in .jpeg format. Configurable for time and date, scan ID, system serial #, dimensions and dimensional indicators.

Operating Temperature:

14 °F to 104 °F (-10 °C to 40 °C)

Humidity:

0 to 90% non-condensing

Warranty:

Two-year limited
Sensors: five-year limited (extended warranty available for purchase)

Approvals:

NTEP 19-076A2

Approvals



Part Numbers/Price

Part #	Description	Price
194205	iDimension LTL	\$49,795.00
Mounting Options		
188446	80/20 ceiling mount kit (25 ft ceiling max)	\$2,995.00
194208	80/20 ceiling mount kit, 45 degree install (25 ft ceiling max)	\$3,295.00
206007	iDimension LTL install bracing, for ceilings 18 to -25 ft	\$420.00
188757	Aircraft wire ceiling mounting kit (35 ft ceiling max)	\$1,795.00
System Options		
188755	2.4 mm POE network camera – up to 2	\$875.00
194206	LED target zone light kit	\$1,795.00
193830	21.5 in commercial forklift operator monitor display kit commercial option	\$2,995.00
206543	iDimension LTL light tree kit	\$1,280.00
174132	50 ft AC power cord	\$45.00
PC Options		
205073	JLT PC and mount kit hardware, Windows® 10	\$6,500.00
202214	JLT PC overhead mounting kit on iDimension LTL	\$215.00
174659	JLT PC stand and guard rail kit	\$1,250.00
212433	JLT mobile PC touchscreen computer with RAM vehicle mount kit	\$3,250.00
178501	USB serial adapter	\$60.00
Optional Integration Solutions		
203010**	iDimension Desktop Wedge for Windows 10	N/C
175812	iDimension SS (software suite) web server software (Windows 10 required)	\$2,250.00
201447	iDimension SS real-time status display desktop app (Stop & Go)	\$250.00
201448	iDimension SS standalone forklift data management web app (Stop & Go)	\$250.00
Scanner, Printer and Digital Remote I/O Options		
206229	Wireless Honeywell long-range TCP/IP scanner kit for use with iDimension SS Software	\$2,695.00
192721	Zebra ZD420D printer, direct thermal	\$745.00
37345	Label, roll 5 in dia, 1 in core	\$24.00
iDimension LTL Stop and Go		
198480	Stop/go activation license key	\$7,000.00
212337	Universal Class II forklift carriage 34" Stop and GO reflector plate	\$225.00
193858	Rice Lake CLS forklift scale stop/go reflector plate	\$145.00
206315	Shipping crate, up to 20 reflector plate kits	Consult

iDimension® LTL

Pallet Dimensioning System

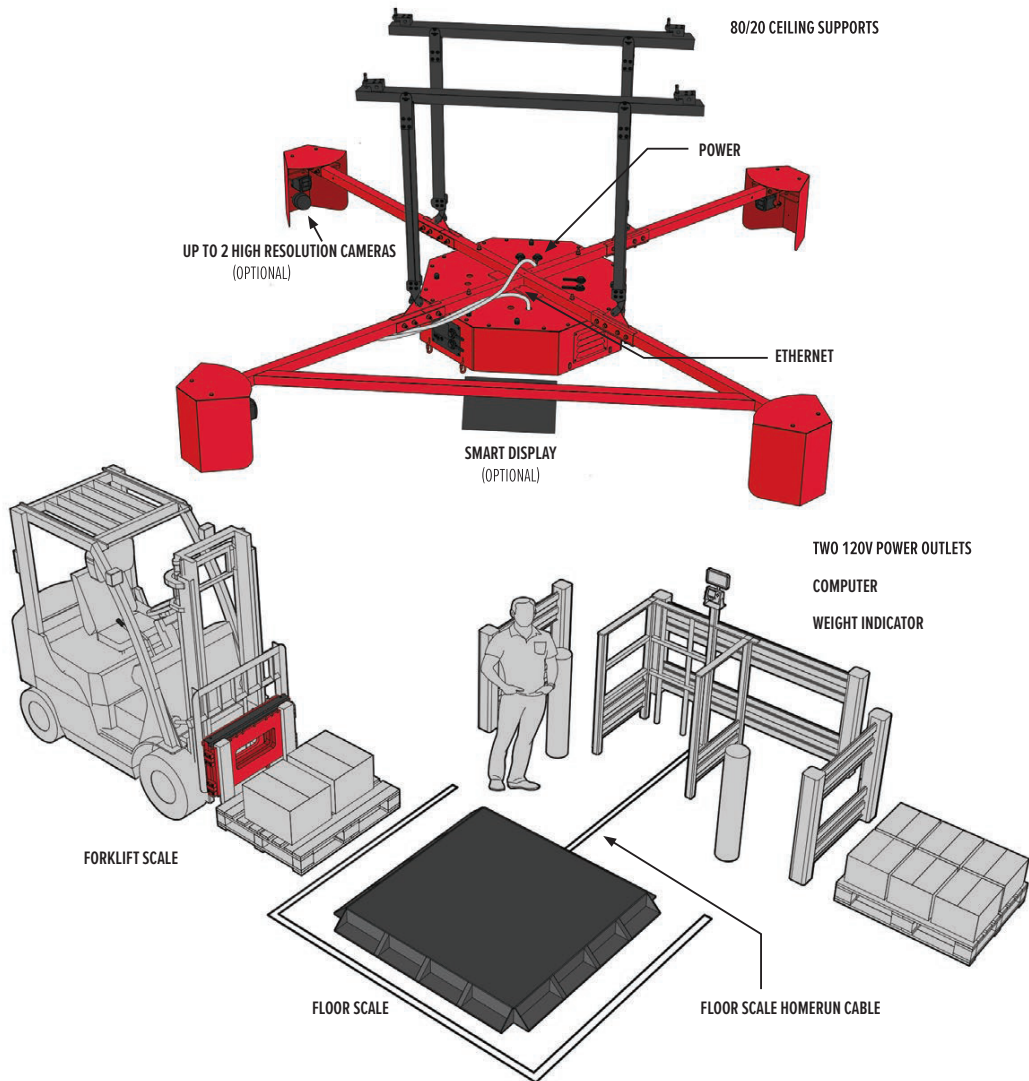
DIMENSIONING

Part Numbers/Price

Part #	Description	Price
Floor Scale Options		
213921	RoughDeck floor scale, 5 x 5 ft HP, 5,000 lb, flat black paint, NTEP Certified	\$2,645.00
214187	RoughDeck floor scale, 5 x 5 ft HC, 2,500 kg, flat black paint, Measurement Canada Certified	\$2,545.00
86873	Bumper guard, HP 5 ft	\$180.00
213999	RoughDeck ramp, 5 ft	\$860.00
Optional Factory Service and Support		
194215	Annual software maintenance	Consult
FLD-INSTALL	iDimension field install and training/day, travel and expenses not included	\$1,395.00
Extended Warranty – 2 year standard		
202033	iDimension PWD/LTL additional 1 year extended warranty	\$1,200.00
202034	iDimension PWD/LTL additional 2 year extended warranty	\$2,400.00
202035	iDimension PWD/LTL additional 3 year extended warranty	\$3,600.00

*Requires factory support and training on first installation of iDimension LTL

**Available for free download at www.ricelake.com



Available System Overview



Standard Features

- 360 degree fork truck access for easy pallet placement in the target zone
- No moving parts, solid-state design
- Minimal set up and training required
- Six to eight bounding box images identify measurement record. Images can be configured to include time and date, scan ID, serial number, dimensions and dimensioning indications.

Options

- Up to two high-resolution color network cameras enable freight identification for damage assessment and tracking requirements
- Target zone LED light kit
- 23 inch operator display provides instantaneous feedback to the forklift or pallet jack operator
- iDimension SS integration program with customizable GUI. Manage triggering methods, data storage and data transfer tools. Incorporates optional bar code scanners, floor scales /forklift scales and printers
- Stop/go license key to improve dimensioning throughput

Specifications

System Requirements:

Windows® 10

Legal for Trade Measurement Range: (L × W × H)

Maximum freight size:
144 × 96 × 96 in
(3,658 × 2,438 × 2,438 mm)
Minimum freight size:
12 × 12 × 12 in
(305 × 305 × 305 mm)

Measurement Increment:

0.5 in (10 mm)

Dimensioning Speed:

Within 2 seconds from trigger to scan completed

Performance Characteristics:

Most surfaces are captured, including black plastic shrink wrap. Transparent/translucent and glossy surfaces may provide a variance.

Stop & Go Measurement

Performance Characteristics:

Stop & Go eliminates the forklift image from the dimensioned measurements. Stop, trigger dimensioner and go in 2 seconds for legal for trade results. Best when used with a Rice Lake Legal for Trade fork lift scale.

Item Placement:

Single pallet within the center of the target zone for best performance

Minimum Pallet Height:

4.25 in (108 mm) wood pallets

Unobstructed Floor Space:

For best performance, provide a 11 x 11 ft area clear of walls, inventory racks, barriers or objects

Minimum Ceiling Height:

12.75 ft

Shapes:

Solid shapes, (3-inch protrusions or more) will be included in dimensions

Lighting Conditions:

Operates in any indoor lighting environment

Power Requirements:

Single power source (96 to 264 VAC), with 25 ft power cable

Optional Network Camera:

2.4 mm fixed POE network color camera with 3-axis camera angle adjustment. IP24 rating. Standard 2688 x 1606 pixels, 96 dpi @ 751kb standard output in .jpeg format. Configurable for time and date, scan ID, system serial #, dimensions and dimensional indicators.

Operating Temperature:

14 °F to 104 °F (-10 °C to 40 °C)

Humidity:

0 to 90% non-condensing

Warranty:

Two-year limited
Sensors: Five-year limited (extended warranty available for purchase)

Approvals:

NTEP 19-076A2

Approvals



Part Numbers/Price

Part #	Description	Price
202974	iDimension LTL XL	\$57,995.00
Mounting Options		
205283	80/20 S & G ceiling mount kit (25 ft ceiling max)	\$3,295.00
206007	iDimension LTL install bracing, for ceilings 18-25 ft	\$420.00
188757	Aircraft wire ceiling mounting kit (35 ft ceiling max)	\$1,795.00
System Options		
205285	2.4 mm POE network camera – up to 2 optional	\$875.00
195284	iDimension LTL LED target zone light kit	\$1,795.00
205286	21.5 in commercial forklift operator monitor display kit commercial option	\$2,995.00
206543	iDimension LTL light tree kit	\$1,280.00
174132	50 ft AC power cord	\$45.00
PC Options		
205073	JLT mobile PC and mount kit hardware, Windows® 10	\$6,500.00
205287	JLT mobile PC overhead mounting kit on iDimension LTL	\$215.00
174659	JLT mobile PC stand and guard rail kit	\$1,250.00
212433	JLT mobile PC touchscreen vehicle mount computer kit	\$3,250.00
178501	USB serial adapter	\$60.00
Optional Integration Solutions		
203010**	iDimension Desktop Wedge for Windows 10	N/C
175812	iDimension SS (software suite) web server software (Windows 10 required)	\$2,250.00
201447	iDimension SS real-time status display desktop app (Stop & Go)	\$250.00
201448	iDimension SS standalone forklift data management web app (Stop & Go)	\$250.00
206229	Wireless Honeywell long-range TCP/IP scanner kit for use with iDimension SS Software	\$2,695.00
Scanner, Printer and Digital Remote I/O Options		
206229	Wireless Honeywell long-range TCP/IP scanner kit for use with iDimension SS Software	\$2,695.00
192721	Zebra ZD420D printer, direct thermal	\$745.00
37345	Label, roll 5 in dia, 1 in core	\$24.00
iDimension LTL Stop and Go		
198480	Stop and GO activation license key	Consult
212337	Universal Class II forklift carriage 34" Stop and GO reflector plate	\$225.00
193858	CLS forklift scale Stop and GO reflector plate	\$145.00

iDimension® LTL XL

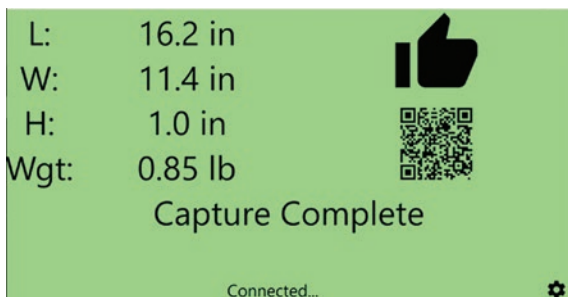
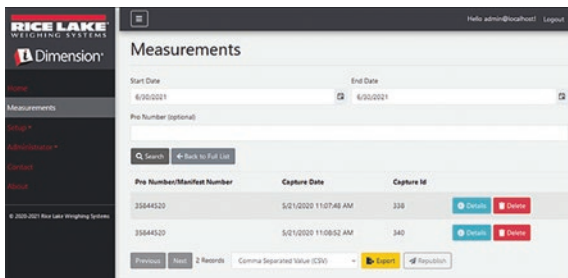
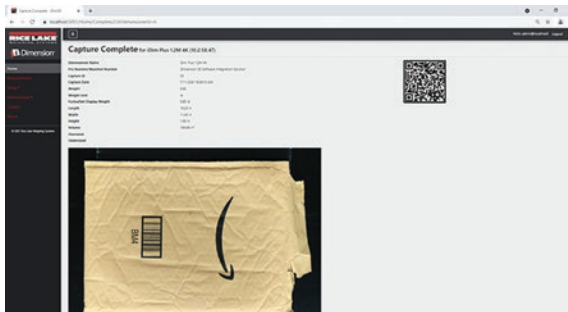
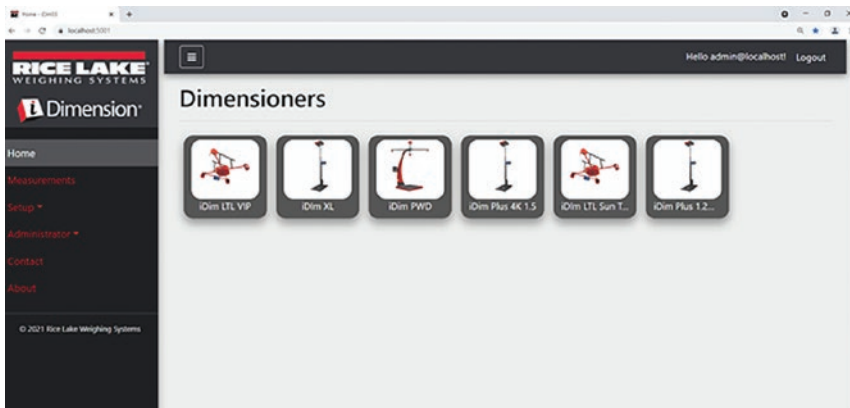
Pallet Dimensioning System

DIMENSIONING

Part #	Description	Price
Floor Scale Options		
213922	RoughDeck floor scale 5 x 7 ft HP	\$3,125.00
86820	Bumper guard, HP 7 ft	\$395.00
86873	Bumper guard, HP 5 ft	\$180.00
Optional Factory Service and Support		
194215	Annual software maintenance	\$315.00
FLD-INSTALL	iDimension field install and training/day, travel and expenses not included	\$1,395.00
Extended Warranty – 2 year standard		
202033	iDimension PWD/LTL additional 1 year extended warranty	\$1,200.00
202034	iDimension PWD/LTL additional 2 year extended warranty	\$2,400.00
202035	iDimension PWD/LTL additional 3 year extended warranty	\$3,600.00
Replacement Parts		
174374	JLT Mobile PC AC power adapter and cord	\$135.00
175621	USB 2.0/ Ethernet adapter (USB-A to RJ45)	\$50.00
184197	20 x 20 x 20 in wooden test box	\$40.00
196158	iDimension LTL & 400 plus calibration object	\$395.00

*Requires factory support and training on first installation of iDimension LTL

** Available for free download at www.ricelake.com



iDimension SS is a robust, dynamic application for managing scan data captured by iDimension Dimensioning Solutions to provide a complete solution.

Standard Features

- Real-time data access and triggering via REST API Swagger API development toolkit included
- Supported peripherals include bar code scanners and label printers
- Measurement database – configurable for capturing and transferring:
 - Identification #, i.e. Pro or sales order number
 - Dimensions L × W × H
 - Scale or manual keyboard entry weight
 - Volume
 - Three configurable user fields
 - Color high resolution images
 - Bounding box images
 - Volumetric conversion
 - Email notification alerts
 - Error logging
- Digital remote I/O configuration for use with PLCs
- Shipping method analyzer for girth and volume analysis thresholds in conjunction with the iDimension SS real-time display desktop application
- Local data storage
- Automatic data export, options include FTP and SMB, configurable
- Data export, including image format composition and annotations available in data export provides output in CSV, JSON, XML and TXT file formats
- QR code display for alternate input into MRP, TMS and WMS systems
- Error logging with high resolution image capture
- Role-based security model protects data and prevents unwanted configuration changes
- Comprehensive application log files available to download
- Backwards compatibility with other common pallet dimensioning solutions
- Forklift database for use with iDimension LTL Stop & Go
- Create a single forklift database when only one iDimension LTL is added within the iDimension SS

SQLite database maximum size capabilities is dependent upon file system type.

System Requirements

- Windows 10 build 1607 or newer (64-bit only)
- 2.0 GHz processor or faster
- 250 MB hard disk space needed for install
- 8 GB RAM or greater
- Ethernet TCP/IP communication to dimensioning devices plus optional scanners, printers and Rice Lake Weighing 680, 880 and 1280 scale indicators
- A supported web browser (Chrome, Microsoft Edge, Firefox, Safari)

Part Numbers/Price

Part #	Description	Price
203010***	iDimension Desktop Wedge for Windows 10	N/C
175812	iDimension SS (software suite) web server software (Windows 10 required)	\$2,250.00
201447	iDimension SS real-time status display desktop app (stop & go)	\$250.00
201448	iDimension SS standalone forklift data management web app (stop & go)	\$250.00

*** Available for free download at www.ricelake.com

