

In-motion Weighing

TABLE OF CONTENTS

In-motion Weighing	579
MotoWeigh® IMW In-Motion	580
<i>Checkweighers and Conveyor Scales</i>	
ELS Series	581
<i>Elevated Load Cell Stands</i>	
MotoWeigh® Metal Detector	583
MotoWeigh® Cascade Scale	585
<i>Gravity Drop Checkweigher</i>	
MotoWeigh® Integrator	585
A&D Inspection	586
<i>In-motion Checkweighers</i>	
RT-M	588
<i>Roller Top Scale</i>	

IN-MOTION
WEIGHING

The following product names, logos, brands and other trademarks featured or referred to within this publication are the property of their respective trademark holders.

MotoWeigh® IMW In-Motion

Checkweighers and Conveyor Scales



Approvals



Optional



Optional

Standard Features

- Packages include: Framework for mounting conveyor scale on same frame as infeed conveyor and indicator, control enclosure to interconnect wiring from photo eyes and divert solenoid and conveyor on/off/E-stop
- NTEP Certified and non-NTEP Certified packages available in stainless steel and aluminum for food and non-food-grade applications

Software

- Password protected user logins
- Real-time statistical information
- Product report
- Statistical report
- Parameter report
- User report
- Store up to 1,000 different products
- Five-zone classification

Control Panel

- 1280 controller
- Power disconnect with lock-out/tag-out
- E-stop
- VFD (variable frequency drive)
- Motor overloads

Hardware

- Square tube construction (SST or aluminum)
- 32 in height from top of belt with ± 2.5 in of adjustment
- Modular belting

Options

- Divert methods:
- Pneumatic pusher
- Air blast
- Drop conveyor
- Paddle
- Secondary diverter in series or parallel
- One-, three- or five-zone communication tower
- Audible alarm (non-washdown only)
- Draft shields
- Drop chutes
- Pull cord E-stops
- Portability package (non-NTEP Certified only)
- Conveyor guide rails (round or flat)
- Custom programming available
- Food-grade SST angle construction
- UL 508
- NTEP Certified Legal for Trade (up to 2,000 divisions and 60 ppm)
- Pacing conveyor

Specifications

Power:

110 VAC single phase, 60 Hz
230 to 460 VAC three phase, 60 Hz

Configurations:

Checkweigher
Conveyor scale

Speed:

Up to 240 ft per minute

Container Types:

Boxes, bags, pouches, trays, tubs, cups, blister packs, display packs, clam shells

Belts:

Intralox® Habasit®

Rating/Material:

NEMA Type 4X IP66
Stainless steel food-grade
Stainless steel non-food grade
Aluminum non-food grade

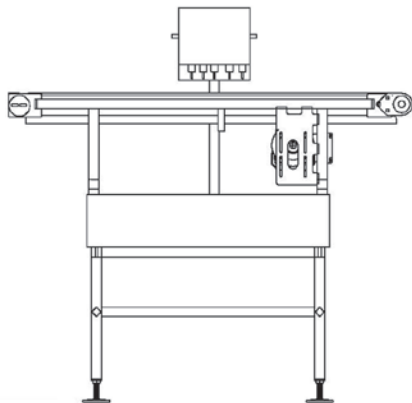
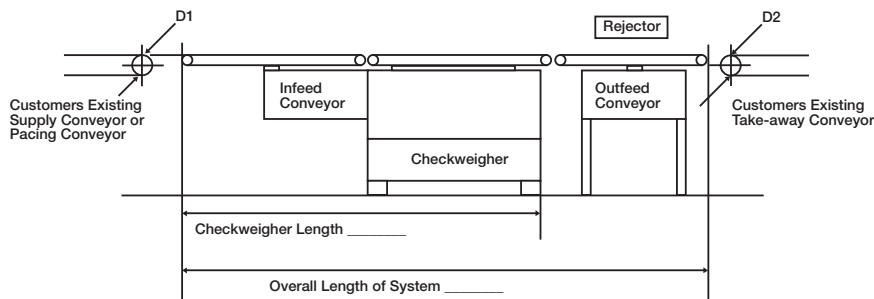
Warranty:

Two-year limited
(excludes powertrain and wear parts)

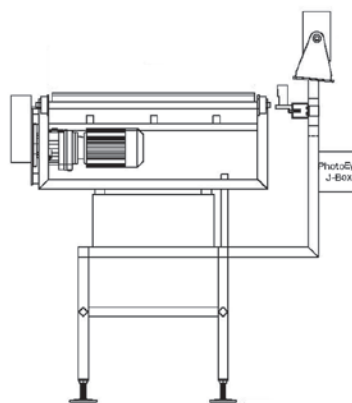
Approvals:

NTEP 09-007 (optional)
cULus (optional)

IN-MOTION
WEIGHING



Side View



End View

Due to the variety of configurations, please consult a sales engineer to discuss application requirements and for complete specifications and price quotations.

Field installation available at pre-determined rates.

Questionnaire available at www.ricelake.com/motoweigh



Mild Steel ELS

Standard Features

- Adjustable height and width in 1-in increments
- Mild or stainless steel frame
- Individual load cell overload protection
- Jack bolts in leveling feet for easy conveyor height alignment
- Kit includes: two stands, load cells, junction box, two adjustable stabilizing braces, leveling shims and hardware

Options

- Mild or stainless steel indicator stand
- Additional single ELS weigh stand
- Additional stabilizing brace kit

**Rollers and conveyors are not included and are from other manufacturers*

Specifications

Load Cell:

Four RL32018 or RL32018S single-ended beam:
250 lb, 500 lb and 1,000 lb capacity

Cable Length:

25 ft

Warranty:

Two-year limited

Approvals:

Load cells are FM approved

Part Number/Price

Part #	Length	Width	Height	Price
Mild Steel - Overall Product Dimensions				
ELS-250 Kit (Load Rating 500 lbs)				
212655	30 to 60 in	22 to 28 in	22 to 28 in	\$3,900.00
212656	30 to 60 in	22 to 28 in	29 to 36 in	\$3,900.00
212659	30 to 60 in	29 to 40 in	22 to 28 in	\$3,950.00
212660	30 to 60 in	29 to 40 in	29 to 36 in	\$3,950.00
212957	30 to 60 in	41 to 58 in	22 to 28 in	\$3,950.00
212958	30 to 60 in	41 to 58 in	29 to 36 in	\$3,950.00
ELS-500 Kit (Load Rating 1,000 lbs)				
212661	30 to 60 in	22 to 28 in	22 to 28 in	\$3,950.00
212662	30 to 60 in	22 to 28 in	29 to 36 in	\$3,950.00
212663	30 to 60 in	29 to 40 in	22 to 28 in	\$4,000.00
212665	30 to 60 in	29 to 40 in	29 to 36 in	\$4,000.00
212953	30 to 60 in	41 to 58 in	22 to 28 in	\$4,000.00
212954	30 to 60 in	41 to 58 in	29 to 36 in	\$4,000.00
ELS-1000 Kit (Load Rating 2,000 lbs)				
212666	30 to 60 in	22 to 28 in	22 to 28 in	\$4,100.00
212667	30 to 60 in	22 to 28 in	29 to 36 in	\$4,100.00
212669	30 to 60 in	29 to 40 in	22 to 28 in	\$4,150.00
212670	30 to 60 in	29 to 40 in	29 to 36 in	\$4,150.00
212949	30 to 60 in	41 to 58 in	22 to 28 in	\$4,200.00
212950	30 to 60 in	41 to 58 in	29 to 36 in	\$4,200.00
Stainless Steel				
ELS-250 Kit (Load Rating 500 lbs)				
213276	30 to 60 in	22 to 28 in	22 to 28 in	\$6,150.00
213278	30 to 60 in	22 to 28 in	29 to 36 in	\$6,250.00
213280	30 to 60 in	29 to 40 in	22 to 28 in	\$6,300.00
213282	30 to 60 in	29 to 40 in	29 to 36 in	\$6,350.00
213283	30 to 60 in	41 to 58 in	22 to 28 in	\$6,450.00
213284	30 to 60 in	41 to 58 in	29 to 36 in	\$6,550.00
ELS-500 Kit (Load Rating 1,000 lbs)				
213292	30 to 60 in	22 to 28 in	22 to 28 in	\$6,200.00
213293	30 to 60 in	22 to 28 in	29 to 36 in	\$6,300.00
213294	30 to 60 in	29 to 40 in	22 to 28 in	\$6,300.00
213295	30 to 60 in	29 to 40 in	29 to 36 in	\$6,400.00
213296	30 to 60 in	41 to 58 in	22 to 28 in	\$6,450.00
213297	30 to 60 in	41 to 58 in	29 to 36 in	\$6,550.00
ELS-1000 Kit (Load Rating 2,000 lbs)				
213304	30 to 60 in	22 to 28 in	22 to 28 in	\$6,200.00
213305	30 to 60 in	22 to 28 in	29 to 36 in	\$6,300.00
213306	30 to 60 in	29 to 40 in	22 to 28 in	\$6,300.00
213307	30 to 60 in	29 to 40 in	29 to 36 in	\$6,400.00
213308	30 to 60 in	41 to 58 in	22 to 28 in	\$6,450.00
213309	30 to 60 in	41 to 58 in	29 to 36 in	\$6,550.00

NOTE: Height is the floor to top mounting plate measurement
Width and Height adjustable in 1 inch increments

IN-MOTION
WEIGHING

ELS Series

Elevated Load Cell Stands

Options/Accessories

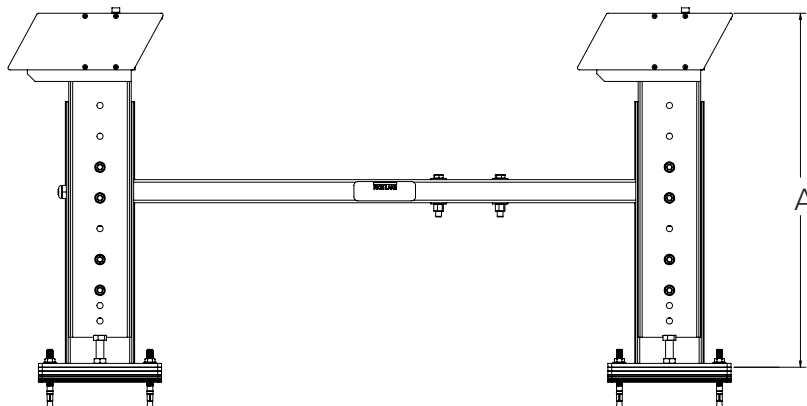
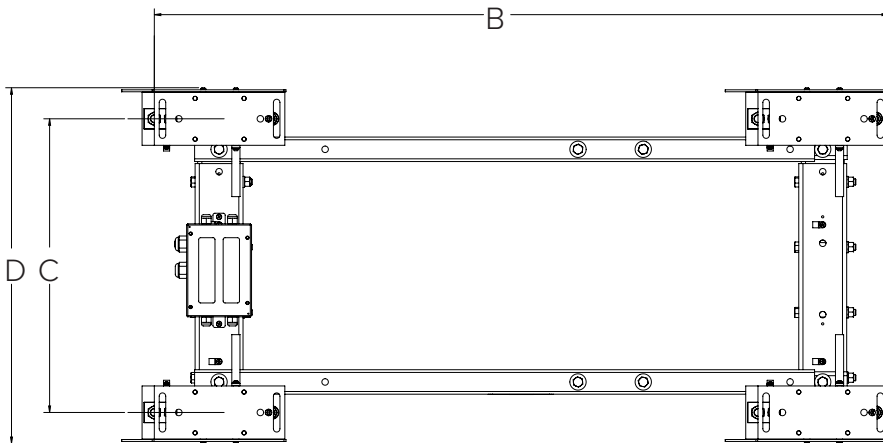
Part #	Description	Price
19352	Indicator floor stand mild steel, 36.3 in high	\$250.00
28740	Indicator floor stand SST, 36.3 in high	\$340.00
Consult	Single ELS weigh stand	Consult
213229	Additional stabilizing brace kit mild steel	\$300.00
213316	Additional stabilizing brace kit stainless steel	\$550.00

Dimensions

	Kit Variation	Minimum Dimension	Maximum Dimension
A	Small	22 in (55.88 cm)	28 in (71.12 cm)
	Large	29 in (73.66 cm)	36 in (91.44 cm)
B	All	30 in (76.20 cm)	60 in (152.40 cm)
C	Small	17 in (43.18 cm)	24 in (60.96 cm)
	Medium	25 in (63.50 cm)	36 in (91.44 cm)
	Large	37 in (93.98 cm)	54 in (137.16 cm)
D	Small	22 in (55.88 cm)	28 in (71.12 cm)
	Medium	29 in (73.66 cm)	40 in (101.60 cm)
	Large	41 in (104.14 cm)	58 in (147.32 cm)

Dimensions A, C and D are adjustable in one inch increments

IN-MOTION
WEIGHING



MotoWeigh® Metal Detector



Approvals



Part Number/Price

Part #	Main Systems	Price
Consult	Please consult factory for configuration and pricing	Consult

Options/Accessories

Part #	Main Systems	Price
200804	Caster package, MotoWeigh set of 4 - 2 swivel and 2 fixed casters for MotoWeigh metal detection conveyors	\$4,900.00
186279	Information tower includes buzzer	\$1,500.00
186280	Remote electronics with up to 100 ft of cable	\$1,315.00
186281	AC power conditioner in NEMA Type 4X enclosure	\$3,040.00
186282	PLC module for Ethernet/IP™ interface (factory installed only)	\$2,410.00
186284	Preventive kit	\$1,010.00
Ferrous (Mild Steel) Test Wands		
168370	1.0 mm ferrous (mild steel) test wand	\$19.25
168383	1.2 mm ferrous (mild steel) test wand	\$19.25
168384	1.5 mm ferrous (mild steel) test wand	\$19.25
168385	1.8 mm ferrous (mild steel) test wand	\$19.25
168386	2.0 mm ferrous (mild steel) test wand	\$19.25
168387	2.2 mm ferrous (mild steel) test wand	\$19.25
168388	2.5 mm ferrous (mild steel) test wand	\$19.25
168389	2.8 mm ferrous (mild steel) test wand	\$19.25
168390	3.0 mm ferrous (mild steel) test wand	\$19.25
168391	3.1 mm ferrous (mild steel) test wand	\$19.25
168392	3.25 mm ferrous (mild steel) test wand	\$19.25
168393	3.5 mm ferrous (mild steel) test wand	\$19.25
168394	4.0 mm ferrous (mild steel) test wand	\$19.25
168395	4.5 mm ferrous (mild steel) test wand	\$19.25
Non-Ferrous (Brass) Test Wands		
168411	1.0 mm non-ferrous (brass) test wand	\$19.25
168413	1.2 mm non-ferrous (brass) test wand	\$19.25
168414	1.5 mm non-ferrous (brass) test wand	\$19.25
168415	1.8 mm non-ferrous (brass) test wand	\$19.25
168416	2.0 mm non-ferrous (brass) test wand	\$19.25
168418	2.2 mm non-ferrous (brass) test wand	\$19.25
168420	2.5 mm non-ferrous (brass) test wand	\$19.25
168421	2.8 mm non-ferrous (brass) test wand	\$19.25
168422	3.0 mm non-ferrous (brass) test wand	\$19.25
168423	3.2 mm non-ferrous (brass) test wand	\$19.25
168424	3.5 mm non-ferrous (brass) test wand	\$19.25
168425	4.0 mm non-ferrous (brass) test wand	\$19.25
168426	4.5 mm non-ferrous (brass) test wand	\$19.25
168427	5.0 mm non-ferrous (brass) test wand	\$19.25

Standard Features

Software

- Four levels of security
- Easy setup and product learning
- Easily change product boundaries/rejection
- One touch log reporting
- Eight fields of data recorded on large hard drive
- USB, Ethernet and RS485 communication ports
- Store up to 97 unique IDs
- English or Spanish

Hardware

- 7-in color touchscreen interface
- 304 stainless steel construction
- NEMA Type 4X, 304 stainless steel housing and enclosure
- IP66 rated
- Easily removable belt
- Adjustable foot pads or optional casters
- Single-point junction box
- Anti-static UHMW slider bed
- Variable speed control

Options

- Reject mechanism
- Paddle
- Linear
- Drop
- Lock box
- IP69K
- Ferrous, non-ferrous and 316 stainless steel test wands; individual wands and kits
- LED communication tower
- Audible alarms
- Caster package
- Guide rails
- AC power conditioner

Specifications

Power Requirements:

100 to 240 VAC, 50/60 Hz

Display:

7-in color touchscreen

Inputs:

Eight configurable (for photo eyes, remote emergency stop, etc.) that can be set to active high or active low

Outputs:

Nine programmable (for reject mechanism, system faults, system warnings, etc.)

Language Support:

English and Spanish

Speed:

Up to 120 ft/minute depending on configuration

Temperature:

Operating: 14 °F to 120 °F (-10 °C to 49 °C)
Storage: 14 °F to 175 °F (-10 °C to 80 °C)

Operating Altitude:

Max: 6,561 ft (2,000 m)

Rating/Material:

304 stainless steel

Approvals:

Intertek
CE

IN-MOTION
WEIGHING

MotoWeigh® Metal Detector

Options/Accessories

Part #	Main Systems	Price
316 Stainless Steel Test Wands		
168428	1.5 mm 316 stainless steel test wand	\$19.25
168429	1.8 mm 316 stainless steel test wand	\$19.25
168430	2.0 mm 316 stainless steel test wand	\$19.25
168431	2.2 mm 316 stainless steel test wand	\$19.25
168432	2.5 mm 316 stainless steel test wand	\$19.25
168433	2.8 mm 316 stainless steel test wand	\$19.25
168434	3.0 mm 316 stainless steel test wand	\$19.25
168435	3.1 mm 316 stainless steel test wand	\$19.25
168436	3.4 mm 316 stainless steel test wand	\$19.25
168437	4.0 mm 316 stainless steel test wand	\$19.25
168438	4.5 mm 316 stainless steel test wand	\$19.25
168439	5.0 mm 316 stainless steel test wand	\$19.25
168440	5.5 mm 316 stainless steel test wand	\$19.25
168441	6.0 mm 316 stainless steel test wand	\$19.25
Test Wand Kits		
168445	Master kit (ferrous 1.0 to 4.5 mm, non-ferrous 1.0 to 5 mm, 316 stainless steel 1.5 to 6.0 mm)	\$1,500.00
168442	Ferrous kit (1.0 to 4.5 mm)	\$500.00
168443	Non-ferrous kit (1.0 to 5.0 mm)	\$500.00
168444	316 stainless steel kit (1.5 to 6.0 mm)	\$500.00

IN-MOTION
WEIGHING

MotoWeigh® Cascade Scale

Gravity Drop Checkweigher



Standard Features

Software

- Single part drop detection (part outside of the bag)
- Statistical information
- Store up to 500 different products

Hardware

- Mild steel construction
- Electrostatic dissipative powder coating
- 920j® wall mount
- Air regulator
- Bimba® air cylinders
- MAC® solenoid valves

Options

- LED communication tower
- Audible alarm
- Draft shield

Specifications

Construction:

- Mild steel
- Stainless steel

Capacity:

1.5 lb (680.4 g)

Maximum Container Size:

(L x W x H)
7.00 x 7.00 x 1.50 in

Accuracy:

±0.00044 lb (0.2 g)

Maximum Product Throughput:

45 parts per minute*

Cylinder Stroke:

1.75 in

**Variable based on product size, cylinder stroke, and scale accuracy*

Part Number/Price

Part #	Main Systems	Price
212750	MotoWeigh Cascade Checkweigher and control panel mild steel	\$9,375.00
212751	MotoWeigh Cascade Checkweigher and control panel stainless steel	\$10,250.00

Options/Accessories

Part #	Description	Price
185808	Red and green communication tower	\$775.00
186577	Red, green and alarm communication tower	\$950.00

MotoWeigh® Integrator

IN-MOTION
WEIGHING



Standard Features

Software

- Password protected user logins
- Real-time statistical information
- Product report
- Statistical report
- Parameter report
- User report
- Store up to 1,000 different products
- Five zone classification
- Configurable reject output
- Conveyor control output

Control Panel

- Stainless steel enclosure
- Panel mount
- 24 VDC power supply
- 16 Opto 22 relays
- Terminal blocks for easy wiring

Options

- One, three or five-zone communication tower
- Audible alarm (non-washdown only)

Specifications

Construction:

Stainless steel

Control Panel Size:

16 x 16 x 8 in

Power Configuration:

115 to 230 VAC single phase, 50/60 Hz

Part Number/Price

Part #	Main Systems	Price
206440	1280 panel mount 7 in with MotoWeigh software, with cord grips	\$7,600.00
206441	1280 panel mount 12 in with MotoWeigh software, with cord grips	\$9,100.00

Options/Accessories

Part #	Description	Price
185803	Alarm communication tower	\$435.00
185804	Red communication tower	\$480.00
185805	Three-zone communication tower	\$1,120.00
185806	Three-zone and alarm communication tower	\$1,390.00
185807	Five-zone communication tower	\$1,540.00

A&D Inspection

In-motion Checkweighers



AD-4961 Series Checkweigher

IN-MOTION
WEIGHING

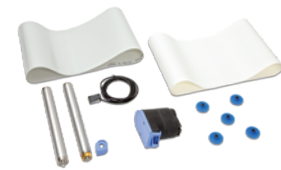
	AD-4961-600-1224 Specifications	AD-4961-2KD-2035 Specifications	AD-4961-6K-3050 Specifications
Capacity	600 g	500 g/2,000 g	6,000 g
Resolution	0.1 g	0.1 g	0.1 g
Construction	IP65 stainless steel construction with ABS resin display	IP65 stainless steel construction with ABS resin display	IP65 stainless steel construction with ABS resin display and stainless steel control box and base
Aperture Sizes	N/A	N/A	N/A
Display	7 in color touchscreen	7 in color touchscreen	7 in color touchscreen
Alarm	Included	Included	Included
Configurations	Checkweigher or conveyor scale	Checkweigher or conveyor scale	Checkweigher or conveyor scale
Speed	Up to 240 ft per minute	Up to 240 ft per minute	Up to 240 ft per minute
Max Throughput	150 pcs per min	150 pcs per min	100 pcs per min
Belts	Food grade urethane belt	Food grade urethane belt	Food grade urethane belt
Belts Width	4.7 in	7.8 in	11.8 in
Conveyor Length	14.2 in	13.7 in	19.6 in
Recorded Items	1,000 items (ten groups × 100 items)	1,000 items (ten groups × 100 items)	1,000 items (ten groups × 100 items)
Communication	Modbus TCP, Modbus RTU, RS-232, Ethernet TCP/IP (PostScript Printer), USB (for PostScript Printer, USB memory, data storage, image import use)	Modbus TCP, Modbus RTU, RS-232, RS-485, Ethernet TCP/IP (PostScript Printer), USB (for PostScript Printer, USB memory, data storage, image import use)	Modbus TCP, Modbus RTU, RS-232, RS-485, Ethernet TCP/IP (PostScript Printer), USB (for PostScript Printer, USB memory, data storage, image import use)
Input/Output	External input for four non-voltage contact points External output for eight relay points	External input for four non-voltage contact points External output for eight relay points	External input for four non-voltage contact points External output for eight relay points
Power Configuration	100 VAC-240 VAC (+10%/-15%) single phase, 50/60 Hz; 180 VA	100 VAC-240 VAC (+10%/-15%) single phase, 50/60 Hz; 180 VA	100 VAC-240 VAC (+10%/-15%) single phase, 50/60 Hz; 180 VA
Operating Temperature	23 °F to 104 °F (-5 °C to 40 °C)	23 °F to 104 °F (-5 °C to 40 °C)	23 °F to 104 °F (-5 °C to 40 °C)
External Dimensions	(L × W × H) 26 × 23.7 × 28.1 in to 33.9 in	(L × W × H) 27.5 × 25.9 × 27.9 in to 33.8 in	(L × W × H) 39.5 × 28.9 × 28.3 in to 34.2 in



Breeze Break



Tower Light



Maintenance Kit

Part Number/Price

AD-4961A 600g		
Part #	Checkweigher	Price
220816	EZiCheck checkweigher 600 g	\$28,495.00
Part #	Rejector	Price
230988	EZiCheck 600 g air jet reject with two nozzles	Consult

Assembly is required

Options/Accessories

Part #	Options/Accessories	Price
221113	EZiCheck 600 g breeze break	\$1,100.00
230987	Transfer plate, single option AD-4961A-13	Consult
230990	EZiCheck maintenance kit	Consult
186320	Maintenance kit 600 g	\$4,095.00
203601	EZ caster package	\$2,995.00
220817	EZiCheck flat guide rails for 600 g weighing conveyor	\$950.00
220818	EZiCheck flat guide rails for 600 g infeed conveyor	\$950.00
221114	EZiCheck 600 g lower breeze break	\$495.00
176614	EZiCheck-01 display stand	\$575.00
176612	Tower light 3 zone, must buy display stand PN 176614	\$1,185.00

Part Number/Price

AD-4961-2K-2035 2 kg		
Part #	Checkweigher	Price
220725	EZiCheck checkweigher 2 kg	\$30,995.00
Part #	Rejector	Price
220774	EZiCheck 2 kg dual channel reject flipper	\$15,425.00
221115	Air jet rejector (two nozzles)	\$8,845.00
220775	EZiCheck 2 kg single channel drop rejector	\$8,895.00
220776	Drop rejector stand	\$2,000.00

Assembly is required

Options/Accessories

Part #	Options/Accessories	Price
176614	EZiCheck-01 display stand	\$575.00
176612	Tower light 3 zone, must buy AD-4691-01	\$1,185.00
221113	EZiCheck-11 upper breeze break	\$1,100.00
221116	EZiCheck-12 lower breeze break	\$800.00
176618	2 kg transfer plate, single	\$295.00
176619	2 kg Product guides (infeed and conveyor), set of 2	\$1,095.00
176622	CW extension leg kit - set of four (up to 40 in)	\$750.00
230990	Maintenance kit 2 kg	Consult
192920	Conveyor connection kit	\$51.00
203601	EZ caster package	\$2,995.00

Part Number/Price

AD-4961-6K-3050 6 kg		
Part #	Checkweigher	Price
220777	EZiCheck checkweigher 6 kg	\$35,995.00
Part #	Rejector	Price
176609	EZiCheck 6 kg push ram rejector	\$14,495.00
220778	Flipper rejector	\$21,325.00
220779	Drop rejector	\$14,995.00

Assembly is required

Options/Accessories

Part #	Options/Accessories	Price
176614	EZiCheck-01 display stand	\$575.00
215272	6 kg product guides, set of 2 (infeed or conveyor)	\$1,195.00
215274	6 kg breeze break	\$3,095.00
176612	Tower light 3 zone, must buy AD-4691-01	\$1,185.00
230992	CW extension leg kit - set of four (up to 40 in)	Consult
186322	Maintenance kit 6 kg	\$3,300.00
203601	EZ caster package	\$2,995.00

RT-M

Roller Top Scale



Part Number/Price

Part #	Description	Price
201732	MotoWeigh roller top scale 880 version	\$6,900.00
220912	Roller conveyor scale painted 680 version	\$6,400.00

* For 880/880 Plus specifications please see page 512

Standard Features

- Integrated overload protection
- Four load cell system
- Mild steel powder-coated frame
- Non powder-coated rollers
- Consult for custom sizes/capacities

RT-M Specifications

Dimensions:

(L × W × H)

54 × 36 × 30 in with ± 2.5 in height adjustment

Capacity:

100 × 0.05 lb

Approvals:

Not available on RT-M

880 Indicator Specifications

Power:

Line voltages: 100 to 240 VAC

Excitation Voltage:

10 VDC (± 5 VDC), 16 × 350 ohm or 32 × 700 ohm load cells

Digital I/O:

Four I/O onboard, primary keys, pseudo functions, batching functions

Communication Ports:

RS-232 full duplex or RS-485 half duplex; USB micro A/B connector 2.0; Ethernet TCP/IP

Display:

LED, 0.56 in (14 mm), six-digit, 14-segment with decimal or comma

Dimensions:

(L × W × H)

Universal: 9.87 × 4.00 × 9.38 in

(248 × 102 × 235 mm)

Approvals:

NTEP CC 13-080 Class III/IIIL, 10,000 d

Measurement Canada AM-5931C

OIML R76/2006-A-NL1-18.23 Class III, 10,000 d

680 Indicator Specifications

Power:

Line voltages: 100 to 240 VAC

Frequency: 50 to 60 Hz

Excitation Voltage:

10 VDC (± 5 VDC), 8 × 350 ohm or 16 × 700 ohm load cells

Digital I/O:

Four configurable I/O - 5V logic

Communication Ports:

Two RS-232 (three-wire)

RS-485/422 (five-wire)

Micro USB (device)

Ethernet TCP/IP (10/100)

Display:

Seven 0.8 in tall, seven-segment digits

Dimensions:

(L × W × H)

11.58 × 4.05 × 8.57 in

(294 × 103 × 218 mm)

Approvals:

NTEP 19-021, Class III/IIIL, 10,000d

Measurement Canada AM-6121C

OIML R76/2006-A-NL1-19.56