

Dimensioning

TABLE OF CONTENTS

- iDimension® Plus** **342**
Parcel Static Dimensioning System
- iDimension® Flex Series** **347**
Pallet and Box Static Dimensioning System
- iDimension® PWD System** **349**
Pallet Weighing and Dimensioning System
- iDimension® LTL / LTL XL** **351**
Pallet Dimensioning System
- iDimension® SS** **354**
Integration Software

Product names, logos, brands and other trademarks featured or referred to within this publication are the property of their respective trademark holders.

iDimension® Plus

Parcel Static Dimensioning System

DIMENSIONING



Standard Features

- iDim Plus package 1 includes: base plate, telescoping pole assembly, touchscreen display, calibration object, US power cord, operating manual and assembly toolkit
- iDim Plus package 2 includes: package 1 components and a 150 lb Bench Pro shipping scale
- iDim Plus package 3 includes: dimensioning head (without pole), 10 ft Ethernet cable, USB display, calibration object, US power cord and operations manual
- No special package placement requirements
- Capable to dimension opaque packaging
- Measurement capabilities beyond Legal for Trade limits
- High resolution color image, 1920 × 1080 resolution color camera

Options

- iDimension SS (Software Suite)
- iDimension Desktop Wedge programs for data integration
- Wired or wireless USB barcode scanner
- Rice Lake BenchPro shipping/postal scales
- Rice Lake 680 and 1280 indicators available for automation applications

Specifications

Power Requirements:

110 to 240 VAC

Communication Ports:

- (2) USB A
- (1) 10/100/1000 Base-T Ethernet
- Wi-Fi 802.11 ac

Display:

10 in (254 mm) touchscreen monitor

Accuracy:

Certified Legal for Trade at 0.2 in (5 mm)

Software Integration:

Simple API network integration through HTTP requests, status checking and XML parsing

Temperature:

Certified: 32 °F to 95 °F (0 °C to 35 °C)

Humidity:

Non-condensing

Warranty:

Two-year limited

Approvals:

- NTEP
- OIML
- CE
- EU MID
- FCC

Approvals



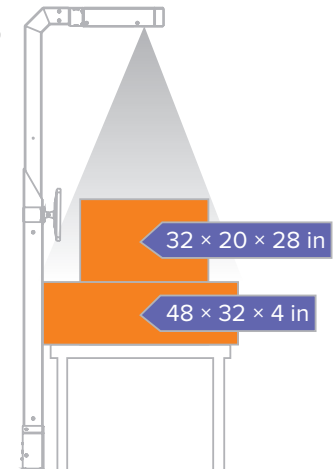
Legal for Trade Minimum and Maximum Measurement Capability

Platform Distance	48 in (1.2m)		1.5 m		2 m XL	
Min/Max *	Min	Max	Min	Max	Min	Max
Length	2.4 in (50 mm)	39 in (1,000 mm)	2.4 inch (50 mm)	48 in (1,200 mm)	4 in (100 mm)	48 in (1,200 mm)
Width	2.4 in (50 mm)	24 in (600 mm)	2.4 inch (50 mm)	32 in (800 mm)	4 in (100 mm)	32 in (800 mm)
Height	2.4 in (50 mm)	24 in (600 mm)	2.4 inch (50 mm)	28 in (700 mm)	4 in (100 mm)	32 in (800 mm)
Division	0.2 in (5 mm)		0.2 in (5 mm)		0.5 in (10 mm)	

*With RGB assist enabled smaller measurements are possible

Largest Box Measurement Capability for Max Length vs. Max Height

	Pole Assembly Height	Minimum LFT Box Size	Maximum LFT Box Size
Largest Box with Max Height	48 in (1.2m)	2.4 × 2.4 × 2.4 in (50 × 50 × 50 mm)	24 × 14 × 24 in (600 × 350 × 600 mm)
Largest Box with Max Length	48 in (1.2m)	2.4 × 2.4 × 2.4 in (50 × 50 × 50 mm)	39 × 24 × 8 in (1,000 × 240 × 200 mm)
Largest Box with Max Height	60 in (1.5m)	2.4 × 2.4 × 2.4 in (50 × 50 × 50 mm)	32 × 20 × 28 in (800 × 500 × 700 mm)
Largest Box with Max Length	60 in (1.5m)	2.4 × 2.4 × 2.4 in (50 × 50 × 50 mm)	48 × 32 × 4 in (1,200 × 800 × 100 mm)



Part Numbers/Price

Part #	Description	Price
226071	Package 1 iDimension Plus for stand alone applications	\$7,995.00
226086	Package 2 iDimension Plus with 150 lb BenchPro shipping scale	\$9,060.00
226070	Package 3 iDimension Plus without pole	\$6,295.00

Options/Accessories

Part #	Description	Price
--------	-------------	-------

Kit Mounting Options

174660	Floor stand for 2 meter sensor height over a work surface or conveyor. Includes pn 206583 hardware and cable, and pn 184262 display RAM mounting kit	\$1,720.00
198708	Mounting hardware and cable assembly kit with 25 ft North American power cord	\$175.00
206583	Mounting hardware and cable assembly kit without power cord	\$175.00
184262	iDimension USB operator display RAM® mount kit	\$145.00

Accessories

225778	Portable cart, 24 × 48 in with flush shelves for iDim Plus, writing shelf and storage pocket. 2 rigid, 2 swivel 9 in pneumatic wheels, 1,200 lb capacity	\$2,305.00
225776	Portable power supply for mobile cart. 1500 watts with AC inverter and 3 120VAC outlets, two USB-A, two USB-C ports. Digital display with battery life, current draw and hours remaining. Recharge in 5 hours	\$1,795.00
180007	Powered Industrial USB 4-Port Hub with USB cable	\$280.00
222125	Power cord, detachable, German/French, 2.5 m, CEE 7/7, Type E plug	\$25.00
95589	Power cord, detachable, UK, 2.5 m, BS1363 Type G plug	\$25.00
162630	Power cord, detachable, AU / NZ, 2.5 m, 1332 Type 1 plug	\$55.00
178501	RS-232/USB cable, for use with compatible indicators	\$60.00
180771	Shipping software integration kit includes four-port industrial USB hub, power adapter and USB cables to connect computer and dimensioner	\$430.00

Barcode Scanner

206225	Wireless Honeywell 1981IFR-3USB-5-N long-range barcode scanner	\$1,800.00
206228	Power supply for PN 206225	\$75.00

Optional Integration Solutions

203010	iDimension Desktop Wedge requires Windows 10 or newer (Available for free download at www.ricelake.com)	N/C
225287	USB-A to USB-A cable for connecting dimensioner to computer	\$75.00
175812	iDimension SS (software suite) web server software requires Windows 10 or newer	\$2,250.00

Factory Service and Support

202027	Up to 2 hours iDim Plus remote support, includes initial configuration and scale setup, iDimension Desktop Wedge installation and operator training.	\$250.00/Unit
224425	One-time license fee at time of purchase.	\$595.00

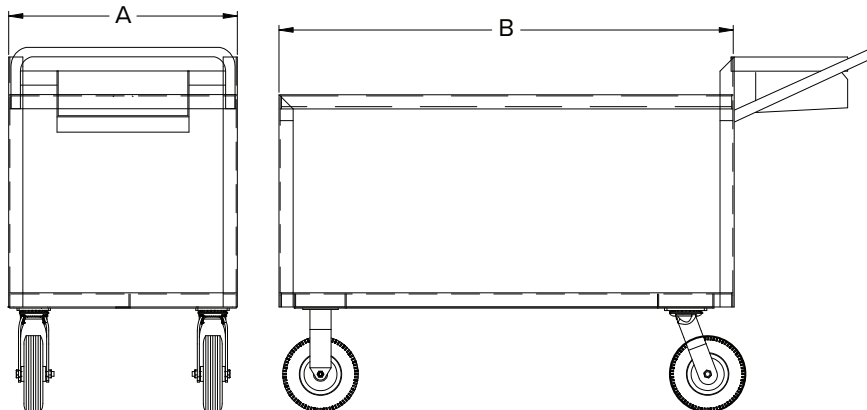
Extended Warranty – Two-year standard

202030	iDimension Plus one-year optional extended warranty	\$750.00
--------	---	----------

Dimensions

Portable Cart

A	63.20 in (1,605 mm)	B	60.20 in (1,529 mm)
---	---------------------	---	---------------------



Portable cart



Shown with ELS (Elevated Load Cell Stand) legs found on page 604, conveyor not included

iDimension® Plus

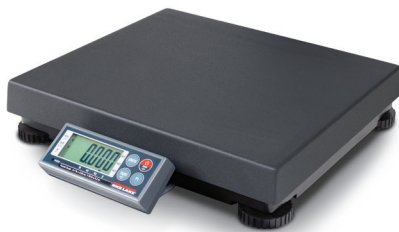
Parcel Static Dimensioning System

DIMENSIONING

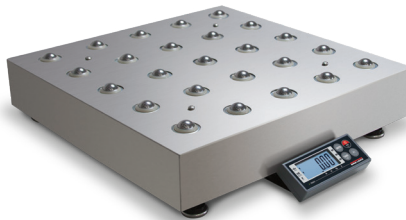
Part Numbers/Price

Rice Lake BenchPro Compatible Scales		
Postal Scale 12 × 14 in (305 × 356 mm) Weigh Platter		
194625 *	Model BP 1214-35P - 70 lb × 0.2 oz (35 kg × 0.01 kg), multi-range and multi-interval postal scale, painted mild steel weigh platter	\$725.00
Shipping Scale 12 × 14 in (305 × 356 mm) Weigh Platter		
184585	Model BP 1214-75S, 150 × 0.05 lb (75 × 0.02 kg), painted mild steel weigh platter	\$725.00
Shipping Scale 18 × 18 in (457 × 457 mm) Weigh Platter		
202191	Model BP 1818-75S, 150 × 0.05 lb (75 × 0.02 kg), painted mild steel weigh platter	\$1,590.00
201730	Model BP 1818-75S, 150 × 0.05 lb (75 × 0.02 kg), ball top weigh platter	\$1,835.00
202190	Model BP 1818-75S, 150 × 0.05 lb (75 × 0.02 kg), roller conveyor weigh platter	\$1,650.00
Shipping Scale 20 × 20 in (508 × 508 mm) Weigh Platter		
182396	Model BP 2020-150S, 300 × 0.1 lb (150 × 0.05 kg), painted mild steel weigh platter	\$1,805.00
182397	Model BP 2020-150S, 300 × 0.1 lb (150 × 0.05 kg), ball top weigh platter	\$2,035.00
182398	Model BP 2020-150S, 300 × 0.1 lb (150 × 0.05 kg), roller conveyor weigh platter	\$1,769.00
Shipping Scale 24 × 24 in (610 × 610 mm) Weigh Platter		
182400	Model BP 2424-150S, 300 × 0.1 lb (150 × 0.05 kg), painted mild steel weigh platter	\$2,005.00
182401	Model BP 2424-150S, 300 × 0.1 lb (150 × 0.05 kg), ball top weigh platter	\$2,240.00
182402	Model BP 2424-150S, 300 × 0.1 lb (150 × 0.05 kg), roller conveyor weigh platter	\$1,939.00

*USB HID interface not available when in the postal scale lb/oz mode



Model BP 1214-S with mild steel weigh platter



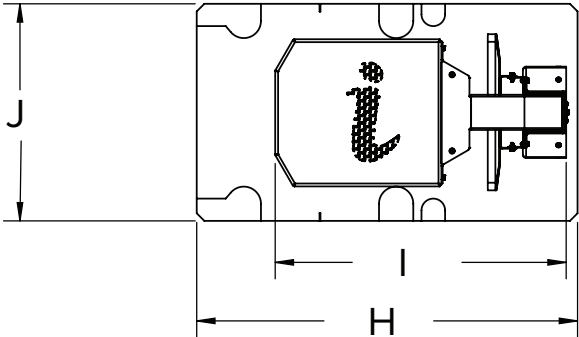
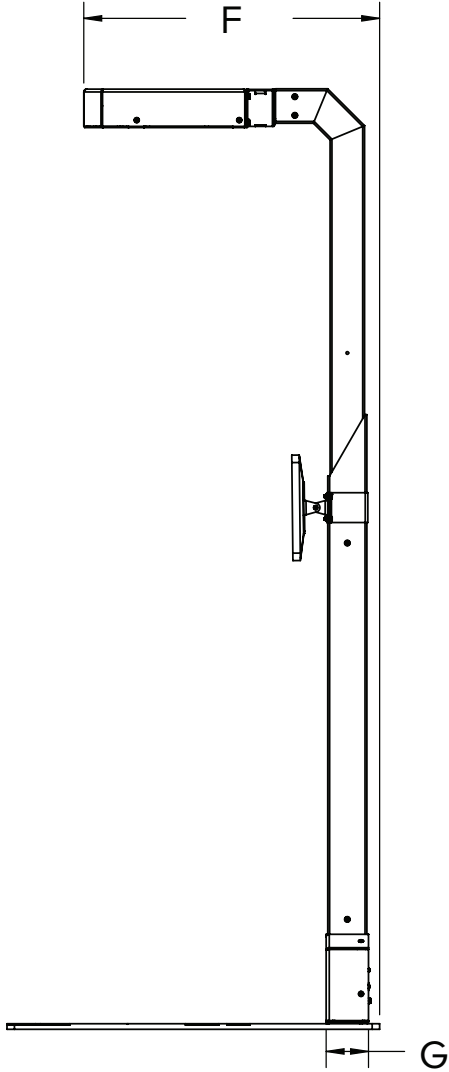
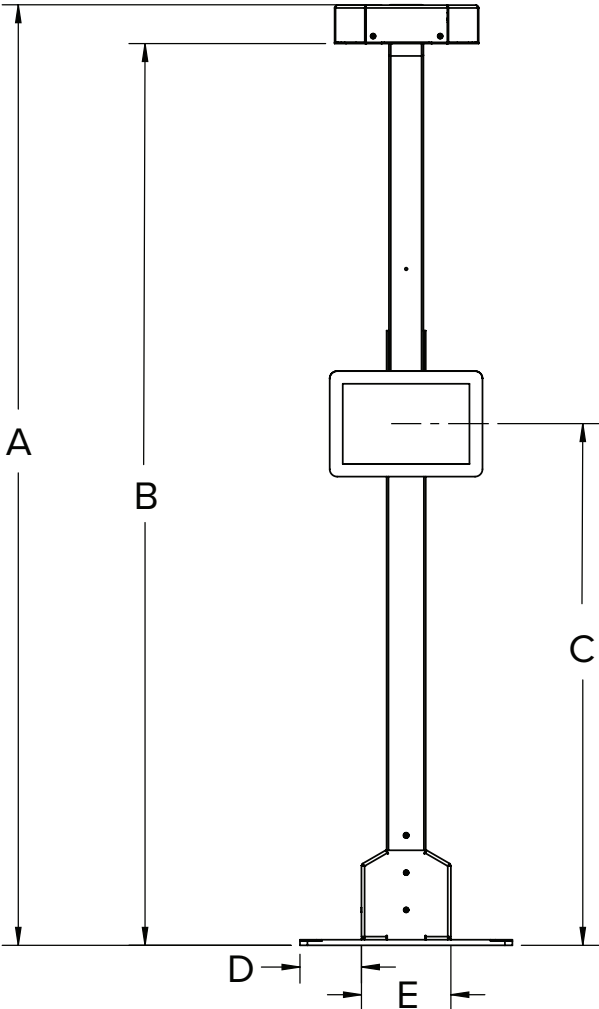
Model BP 1818-S with ball top weigh platter



Model BP 2424-S with roller conveyor weigh platter

Dimensions

iDimension Plus			
A	63.10 in (1,603 mm)	F	19.85 in (504 mm)
B	60.50 in (1,537 mm)	G	2.84 in (72 mm)
C	35.00 in (889 mm)	H	25.00 in (635 mm)
D	4.13 in (105 mm)	I	19.10 in (485 mm)
E	6.00 in (152 mm)	J	14.25 in (362 mm)



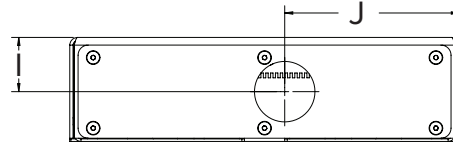
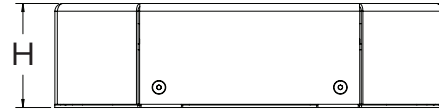
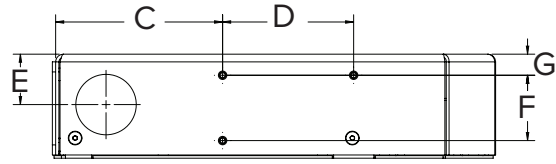
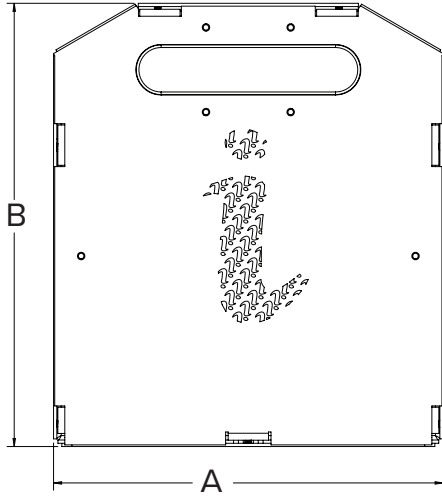
iDimension® Plus

Parcel Static Dimensioning System

DIMENSIONING

Dimensions

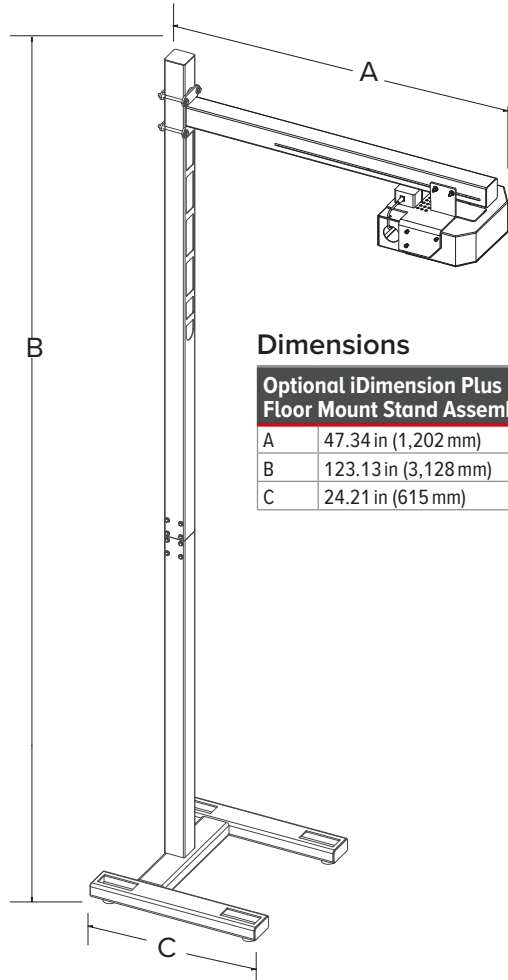
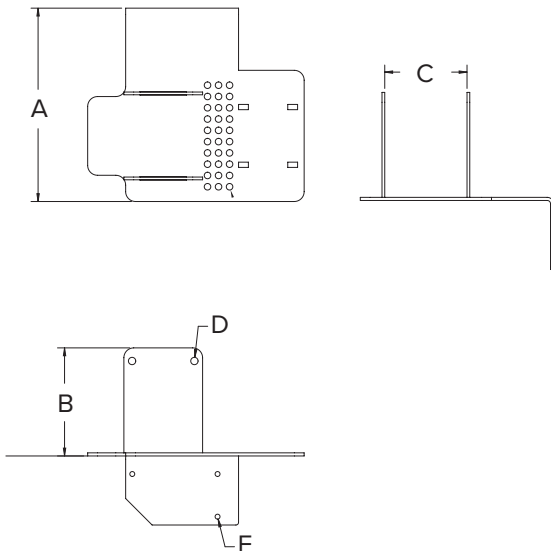
iDimension Plus Scanning Head Assembly			
A	9.66 in (229 mm)	F	1.62 in (15 mm)
B	10.99 in (216 mm)	G	0.52 in (41 mm)
C	4.14 in (183 mm)	H	2.58 in (38 mm)
D	3.25 in (84 mm)	I	1.35 in (114 mm)
E	1.25 in (51 mm)	J	4.33 in (38 mm)



Dimensions

iDimension Plus Mounting Bracket - PN 198708	
A	7.37 in (187 mm)
B	4.12 in (105 mm)
C	3.14 in (80 mm)
D	2x Ø.28
E	3x Ø.19

Use this bracket to mount scanner head to the optional floor stand 174660 or to user provided structure



Dimensions

Optional iDimension Plus Floor Mount Stand Assembly	
A	47.34 in (1,202 mm)
B	123.13 in (3,128 mm)
C	24.21 in (615 mm)

iDimension® Flex Series

Pallet and Box Static Dimensioning System

DIMENSIONING



Suspended or Free-standing mount options available

Standard Features

- Floor mounted free-standing frame or suspend from the ceiling
- One high resolution camera (one additional camera available)
- Install/integrate with a floor scale, conveyor or pallet stretch wrapper
- Easy two-person assembly
- Legal for Trade dimensions in under 2 seconds
- Network integration tool kit
- Top side junction box

Applications

- Pallet dimensioning, above a target zone, scale, conveyor or stretch wrapper to dimension cuboidal and irregular freight.

Options

- Kiosk pedestal base available
- Second high resolution camera
- Additional sensor to assist reading black stretch film
- Weigh scale and indicator not included

Specifications

Legal for Trade Measurement Capability:

Min: 12 × 12 × 12 in (300 × 300 × 300 mm)
Max: 72 × 72 × 96 in (1,828 × 1,828 × 2,438 mm)

Power Requirements:

110 to 240 VAC
25 ft (7.62 m) U.S. power cable included

Communication Ports:

Ethernet TCP/IP, USB, Serial RS232

Temperature:

14 °F to 104 °F (-10 °C to 40 °C)

Humidity:

0 to 90% non-condensing

Warranty:

Two-year limited
Five-year limited, sensors only

Approvals:

NTEP 19-076A3
OIML
CE Marked
FCC
MID Certified

Approvals



Part Numbers/Price

Part #	Description	Price
219294	Free-standing 80/20 frame, four-sensors, one camera, industrial PC, kiosk, software integration tool kit, REST API	\$27,500.00
219292	Suspend from ceiling, four-sensors, one camera, industrial PC, kiosk, software integration tool kit, REST API. Mounting hardware sold separately	\$25,000.00

Options/Accessories

Part #	Description	Price
Accessories		
200168	2.4 mm POE network camera	\$875.00
219194	Kiosk pedestal base	\$895.00
220137	Mounting kit to attach kiosk to 219294 free-standing Flex	\$250.00
212260	Kiosk shelf for printer or scanner	\$350.00
220146	Optional 5th sensor to assist with scanning black stretch film	\$2,795.00
205283	80/20 mounting kit, 25 ft high max ceiling height	\$3,295.00
188757	Aircraft wire kit for ceilings less than 35 ft	\$1,795.00
214187	RoughDeck floor scale 5 × 5 ft HC, 2,500 kg, flat black paint, Measurement Canada Certified	\$2,645.00
213921	RoughDeck floor scale 5 × 5 ft HP, 5,000 lb, flat black paint, NTEP Certified	\$2,645.00
86873	Bumper guard, HP 5 ft	\$180.00
213999	RoughDeck ramp, 5 ft	\$860.00
200183	680 Plus Indicator, LED display, 115 to 230 VAC with RJ45, US power cord. Alternately, choose a 1280 for automation applications.	\$1,135.00
Barcode Scanner		
225020	QuickScan QD2590 USB barcode scanner	\$345.00
206229	Honeywell wireless long-range TCP/IP barcode scanner kit	\$2,695.00
Factory Service and Support		
224761	One time license fee at time of purchase	\$1,195.00
FLD-Install	iDimension field install/training day, travel and expenses not included	\$1,395.00
202029	Hourly rate scheduled integration services remote session	\$145.00/hr
Extended Warranty – Two-year standard		
202033	iDimension Flex/PWD/LTL additional one-year extended warranty	\$1,200.00



iDimension Flex Series Kiosk

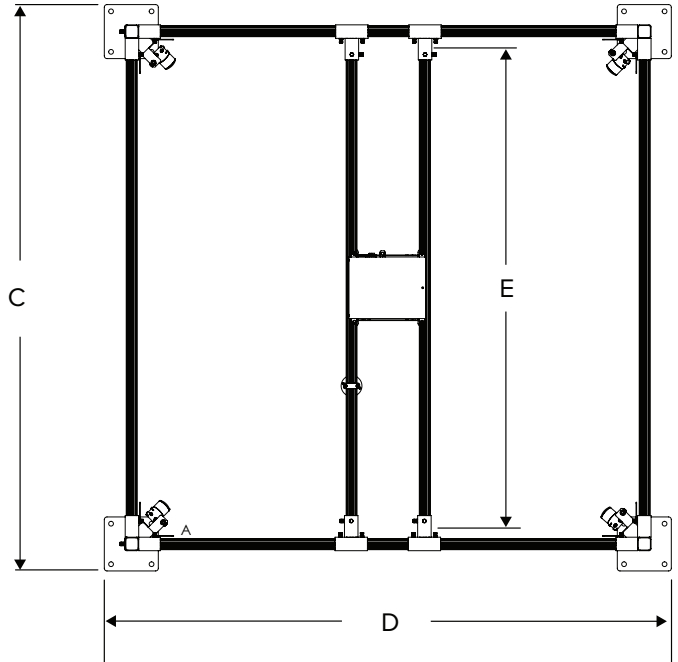
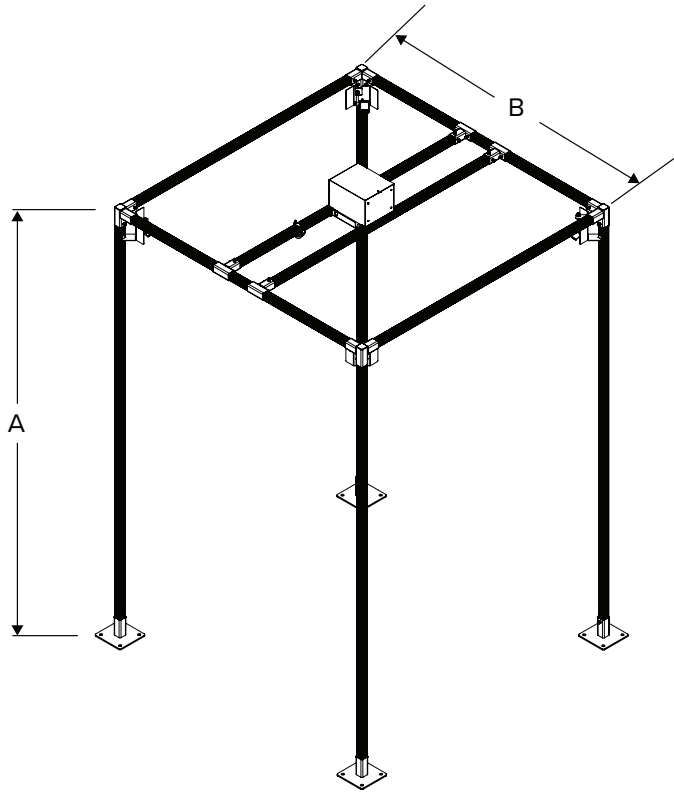
iDimension Flex Series Kiosk with Optional Pedestal

iDimension® Flex Series

Pallet and Box Static Dimensioning System

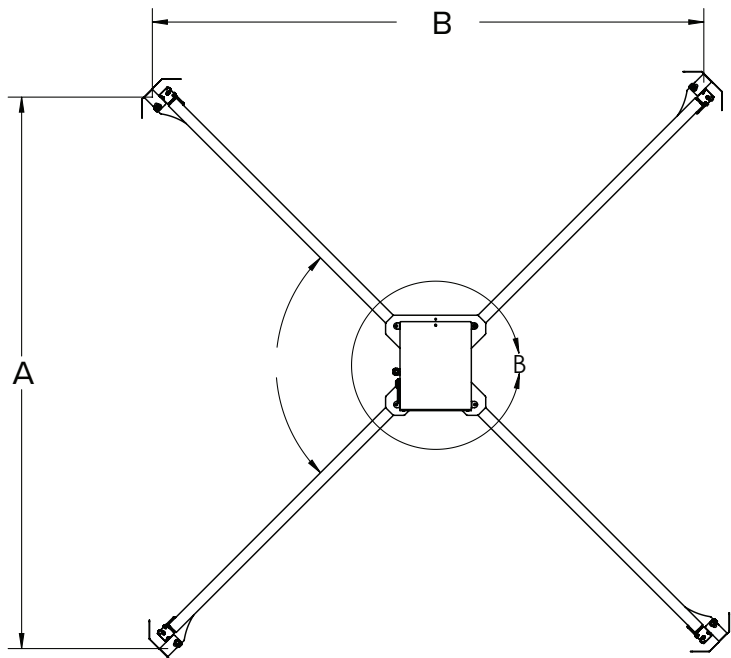
Dimensions

iDimension Flex Free Standing	
A	145.38 in (3,693 mm) max
B	93.00 in (2,362 mm)
C	104.88 in (2,664 mm) max
D	105.00 in (2,667 mm) max
E	85.08 in (2,161 mm)



Dimensions

iDimension Flex Suspension	
A	88.12 in (2,238 mm)
B	88.12 in (2,238 mm)



iDimension® PWD System

Pallet Weighing and Dimensioning System

DIMENSIONING



Standard Features

- Includes: iDimension PWD, kiosk, panel mounted scale indicator, 5 × 5 ft 5,000 lb scale, calibration object, accuracy test box, operators and assembly manuals
- Integrated 5 × 5 ft floor scale, 5,000 lb capacity
- Pallet tare mode can measure objects on a pallet by excluding the pallet from the measurement (not Legal for Trade)
- Simple API network integration through HTTP requests, status checking and XML parsing
- Assembly and installation in less than a day
- One high resolution camera (one additional camera available)

Options

- Second high resolution camera
- Bar code scanner and/or printer
- Access ramps for pallet jack access
- Overhead fifth sensor recommended for dimensioning highly reflective, IR sensitive or black pallet shrink wrap

Software Integration Tools

- iDimension Desktop Wedge
- Simple API network integration through HTTP requests, status checking and XML parsing
- iDimension SS for storing data, images and transferring data to ERP and WMS systems

Specifications

Legal for Trade Measurement Capability:

Min: 6 × 6 × 6 in (152 × 152 × 152 mm)
Max: 72 × 72 × 72 in (1,829 × 1,829 × 1,829 mm)

Power Requirements:

110 to 240 VAC with 25 ft (7.62 m) power cable included

Measurement Increment:

0.5 in (1 cm)

Performance Characteristics:

Weight and dimensions in two seconds or less
Most surfaces are captured; transparent/translucent and glossy surfaces may provide a variance

Item Placement:

Centered on floor scale for best performance

Minimum Pallet Height:

4.25 in (108 mm) wood pallets

Shapes:

Solid shapes, 3 in (76 mm) protrusions will be included in dimensions

Lighting Conditions:

Operates in any indoor lighting environment

Temperature:

Operating:
14 °F to 104 °F (-10 °C to 40 °C)

Humidity:

0 to 90% non-condensing

Warranty:

Two-year limited
Extended warranty available for purchase

Packaging Dimensions:

Crate 1: 101 × 80 × 30 in; 1,690 lb
(257 × 203 × 76 cm)
Crate 2: 83 × 68 × 35 in; 900 lb
(210 × 173 × 90 cm)

Approvals:

NTEP 19-076
OIML R129-2000-A-NL1-24.04
EU MID T12563
CE
FCC

Approvals



Part Numbers/Price

Part #	Description	Price
199318	iDimension PWD System	\$38,995.00

Options/Accessories

Part #	Description	Price
System Options		
200168	Second high resolution 2.4 mm POE network camera	\$875.00
199665	iDimension PWD pallet jack ramp	\$945.00
199666	Optional 5th overhead sensor	\$2,095.00
212260	Kiosk shelf for optional scanner and printer	\$350.00
Scanning and Printing Options		
206229	Wireless Honeywell long-range TCP/IP scanner kit for use with iDimension SS Software	\$2,695.00
225020	QuickScan QD2590 USB barcode scanner	\$345.00
212410	Zebra ZD421D printer, direct thermal	\$880.00
37345	Label, roll 5 in dia, 1 in core	\$24.00
Optional Integration Solutions		
203010	iDimension Desktop Wedge (Windows 10 required)	N/C
175812	iDimension SS (software suite) web server software (Windows 10 required)	\$2,250.00
Factory Service and Support		
224761	One time license fee at time of purchase.	\$1,195.00
FLD-INSTALL	iDimension field install and training day, travel and expenses not included	\$1,395.00
202029	Hourly rate scheduled integration services remote session	\$145.00
Extended Warranty – Two-year standard		
202033	iDimension Flex/PWD/LTL additional one-year extended warranty	\$1,200.00

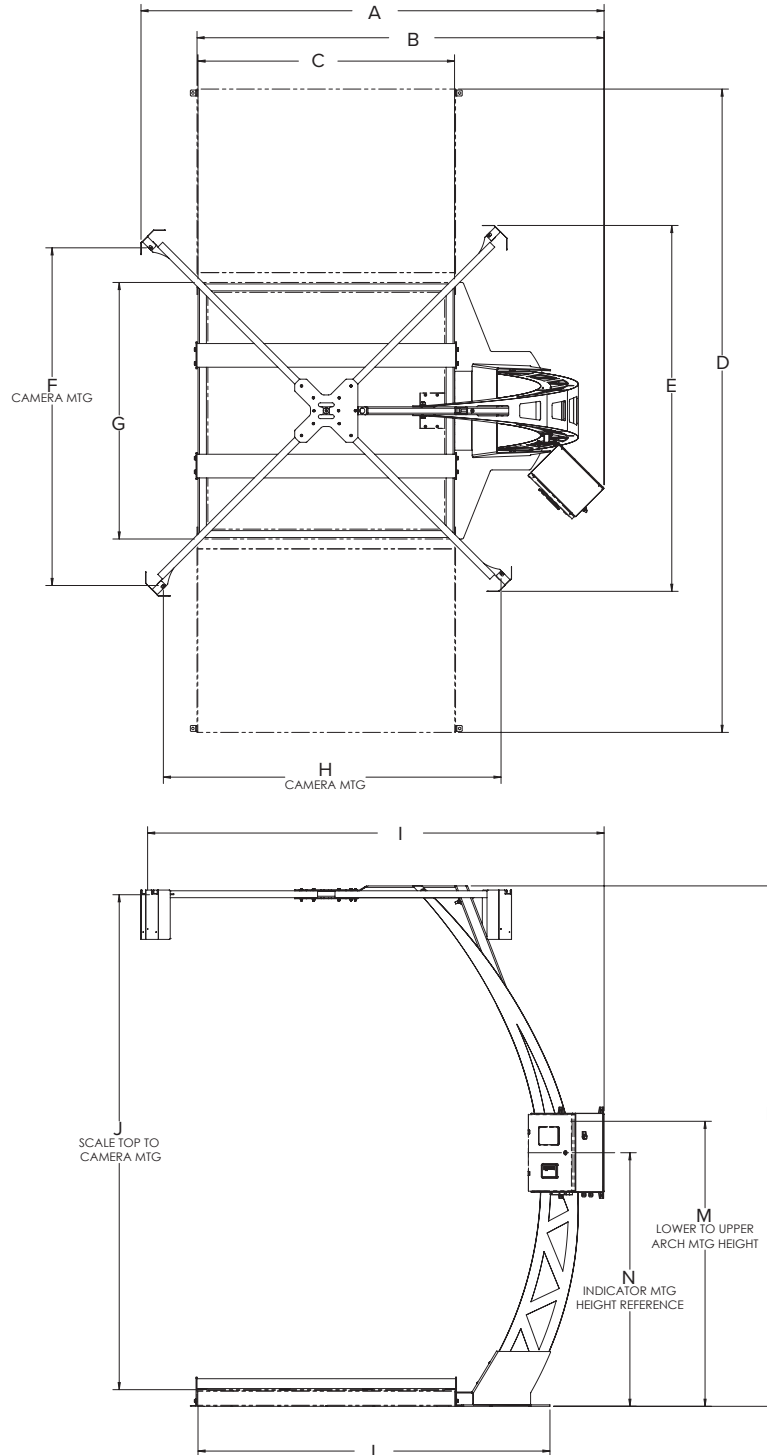
iDimension® PWD System

Pallet Weighing and Dimensioning System

DIMENSIONING

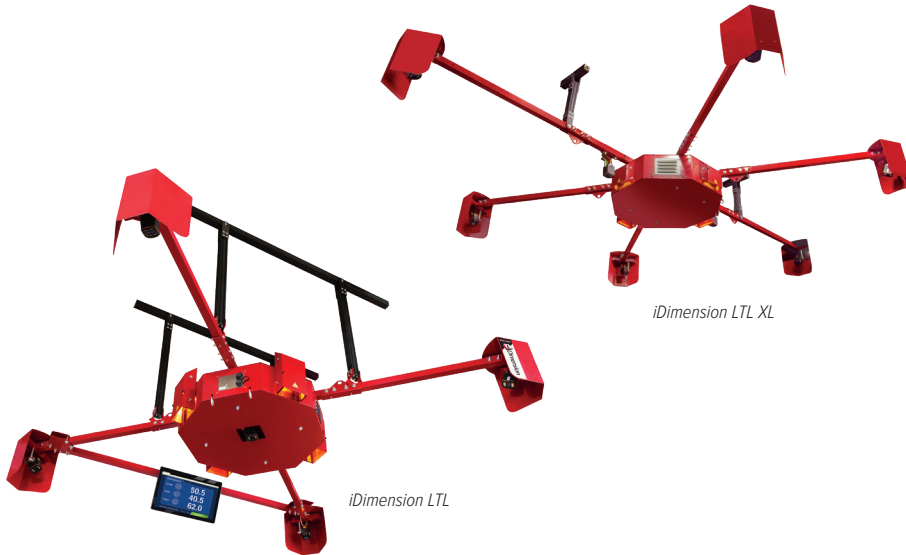
Dimensions

iDimension PWD					
A	117.34 in (2,980 mm)	F	85.56 in (2,173 mm)	K	131.86 in (3,349 mm)
B	103.14 in (2,620 mm)	G	65.00 in (1,651 mm)	L	89.18 in (2,265 mm)
C	65.00 in (1,651 mm)	H	85.56 in (2,173 mm)	M	72.22 in (1,834 mm)
D	163.00 in (4,140 mm)	I	115.66 in (2,938 mm)	N	64.25 in (1,632 mm)
E	92.70 in (2,355 mm)	J	125.41 in (3,185 mm)		



iDimension® LTL / LTL XL

Pallet Dimensioning System



iDimension LTL XL

iDimension LTL

Approvals



Part Numbers/Price

Part #	Description	Price
194205	iDimension LTL	\$52,995.00
202974	iDimension LTL XL	\$61,450.00

Options/Accessories

Mounting Options		
205283	80/20 ceiling mount kit (25 ft ceiling max)	\$3,295.00
188757	Aircraft cable ceiling mounting kit (35 ft ceiling max)	\$1,795.00
System Options		
188755	2.4 mm POE network camera – second high resolution camera	\$875.00
222641	Work area and target zone blue LED light kit	\$3,400.00
193830	LTL 21.5 in commercial forklift operator display kit	\$2,995.00
205286	LTL-XL 21.5 in commercial forklift operator display kit	\$2,995.00
223035	10 m EU power cord	\$45.00
223036	10 m UK power cord	\$45.00
223037	10 m AU power cord	\$45.00
PC Options		
205073	12 in HMI PC and Ram mount kit for desk or wall	\$6,500.00
202214	HMI PC overhead Ram mounting kit on iDimensioner LTL	\$215.00
205287	HMI PC overhead Ram mounting kit on iDimensioner LTL XL	\$215.00
174659	HMI PC floor stand and guard rail kit	\$1,250.00
212433	7 in HMI PC and Ram mounting kit for forklift	\$3,250.00
Optional Integration Solutions		
203010**	iDimension Desktop Wedge (Windows 10 required)	N/C
175812	iDimension SS (software suite) web server software (Windows 10 required)	\$2,250.00
201447	iDimension SS real-time status display desktop app (Stop & Go)	\$250.00
201448	iDimension SS standalone forklift data management web app (Stop & Go)	\$250.00
Scanning and Printing Options		
206229	Wireless Honeywell long-range TCP/IP scanner kit	\$2,695.00
212410	Zebra ZD421D printer, direct thermal	\$880.00
37345	Label, roll 5 in dia, 1 in core	\$24.00

*Requires factory support and training on first installation of iDimension LTL

**Available for free download at www.ricelake.com

Standard Features

- 360° fork truck access for easy pallet placement in the target zone
- Displays dimensions in 2 seconds
- Minimal set up and training required
- Bounding box images identify measurement cube
- Color camera
- Download iDimension Pallet Dimensioning Firmware V6.0.3.3655

Options

- Second color camera
- Work area and target zone LED light kit
- 21.5 inch operator display provides instantaneous feedback to the forklift or pallet jack operator
- iDimension SS for storing data and images transferring data to ERP and WMS systems
- Stop & Go activation

Specifications

Legal for Trade Measurement Capability:

LTL Drop and Clear:

Min: 12 × 12 × 12 in (30 × 30 × 30 cm)

Max: 96 × 96 × 96 in (244 × 244 × 244 mm)

LTL XL Drop and Clear:

Min: 12 × 12 × 12 in (30 × 30 × 30 cm)

Max: 96 × 96 × 144 in (244 × 244 × 365 cm)

Stop & Go:

Min: 12 × 12 × 12 in (30 × 30 × 30 cm)

Max: 72 × 72 × 84 in (183 × 183 × 213 cm)

Power Requirements:

110 to 240 VAC

25 ft (7.62 m) power cable included

Measurement Increment:

NTEP: 0.5 in

OIML: 2 cm

Dimensioning Speed:

Within 2 seconds from trigger to scan complete

Performance Characteristics:

Most surfaces are captured, including black plastic shrink wrap. Transparent/translucent and glossy surfaces may provide a variance.

Stop & Go Measurement

Performance Characteristics:

Stop-trigger-go 2 seconds for Legal for Trade results. Best when used with a Rice Lake Legal for Trade forklift scale.

Item Placement:

Single pallet within the center of the target zone for best performance

Minimum Pallet Height:

4.25 in (108 mm) wood pallets

Minimum Ceiling Height:

12.75 ft

Shapes:

Solid shapes, 3 in (76 mm) protrusions will be included in dimensions

Lighting Conditions:

Operates in any indoor lighting environment

Temperature:

Operating:

14 °F to 104 °F (-10 °C to 40 °C)

Humidity:

0 to 90% non-condensing

Warranty:

Two-year limited

(extended warranty available for purchase)

Sensors: five-year limited

Approvals:

NTEP 19-076

OIML R129-2000-A-NL1-24.04

EU MID T12563

FCC

CE

iDimension® LTL / LTL XL

Pallet Dimensioning System

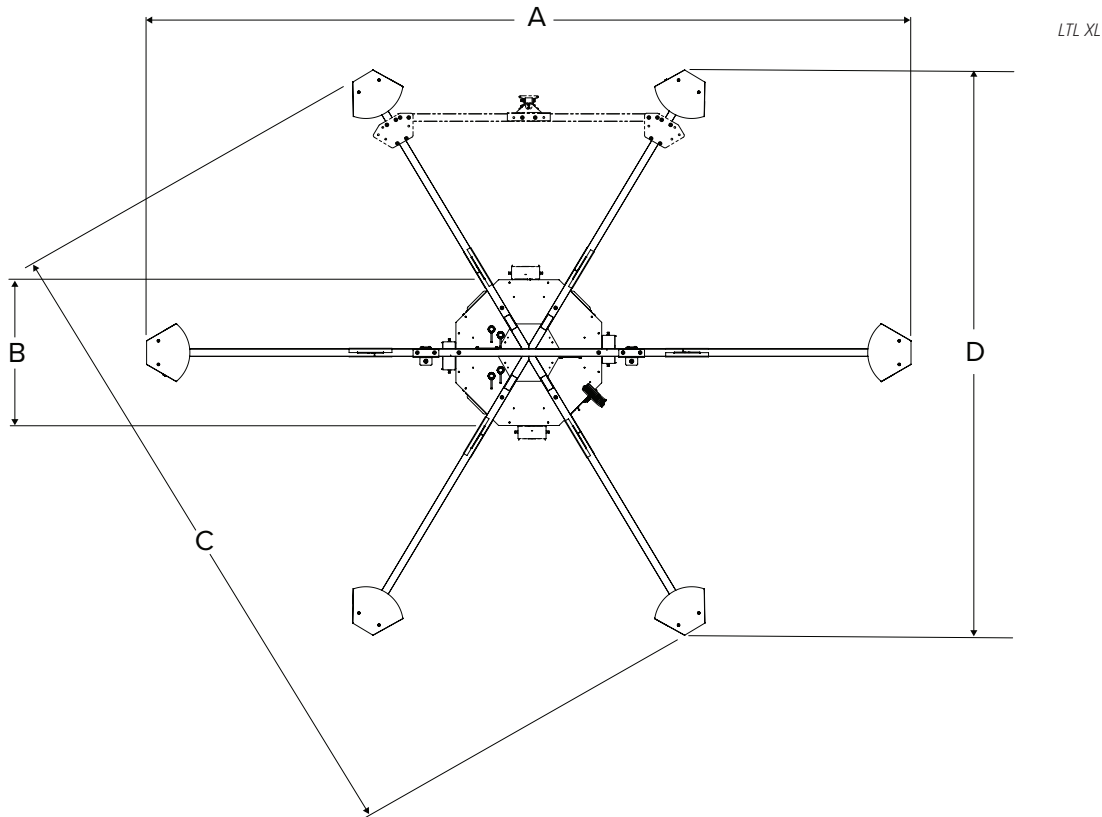
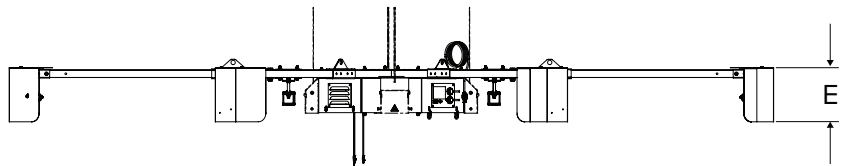
DIMENSIONING

Part Numbers/Price

Part #	Description	Price
iDimension LTL Stop & Go		
198480	Stop & Go activation license key	\$7,000.00
212337	Stop & Go reflector post kit for Universal Class II 34 in forklift carriages	\$225.00
193858	Rice Lake CLS forklift scale cover with Stop & Go reflectors	\$145.00
Floor Scale Options		
213921	RoughDeck floor scale, 5 × 5 ft HP, 5,000 lb, flat black paint, NTEP Certified	\$2,645.00
214187	RoughDeck floor scale, 5 × 5 ft HC, 2,500 kg, flat black paint, Measurement Canada Certified	\$2,645.00
213922	RoughDeck floor scale 5 × 7 ft HP, 5,000 lb, flat black paint, NTEP Certified	\$3,125.00
86820	Bumper guard, HP 7 ft	\$395.00
86873	Bumper guard, HP 5 ft	\$180.00
213999	RoughDeck ramp, 5 ft	\$860.00
200183	680 Plus Indicator, LED display, 115 to 230 VAC with RJ45, US power cord. Alternately, choose a Rice Lake 1280 for automation applications.	\$1,135.00
Factory Service and Support		
194215	One time license fee at time of purchase.	\$1,995.00
FLD-INSTALL	iDimension field install and training/day, travel and expenses not included	\$1,395.00
202029	Hourly rate scheduled integration services remote session	\$145.00
Extended Warranty – Two-year standard		
202033	iDimension PWD/LTL additional one-year extended warranty	\$1,200.00

Dimensions

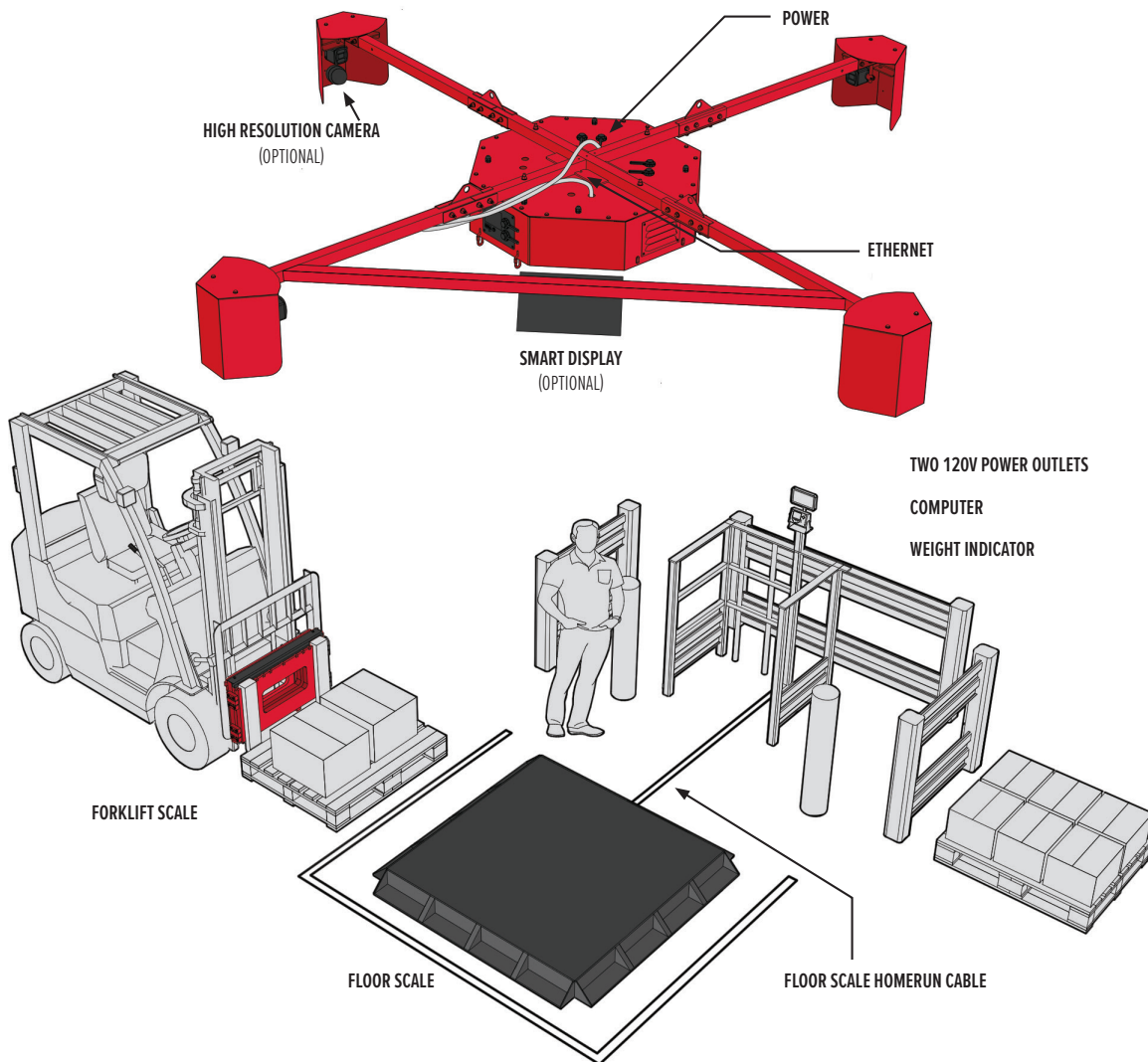
iDimension LTL XL	
A	178.28 in (4,528 mm)
B	34.00 in (864 mm)
C	150.44 in (3,821 mm)
D	131.83 in (3,348 mm)
E	12.64 in (321 mm)



iDimension® LTL / LTL XL

Pallet Dimensioning System

DIMENSIONING

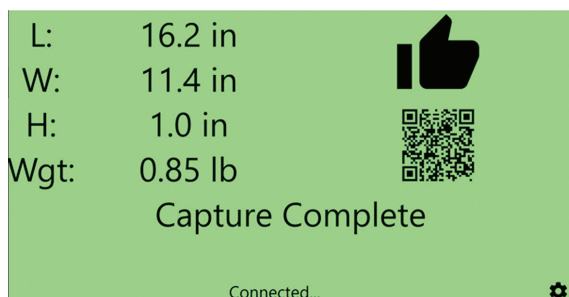
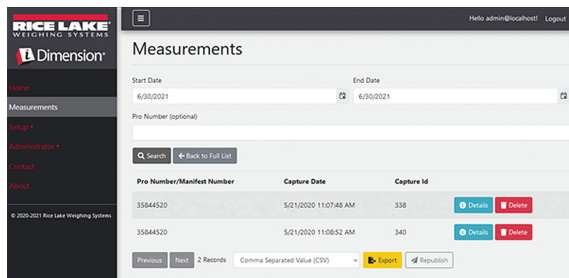
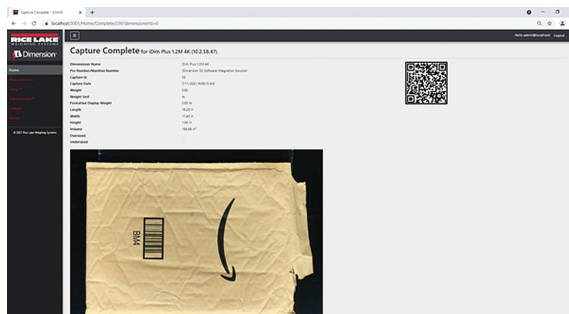
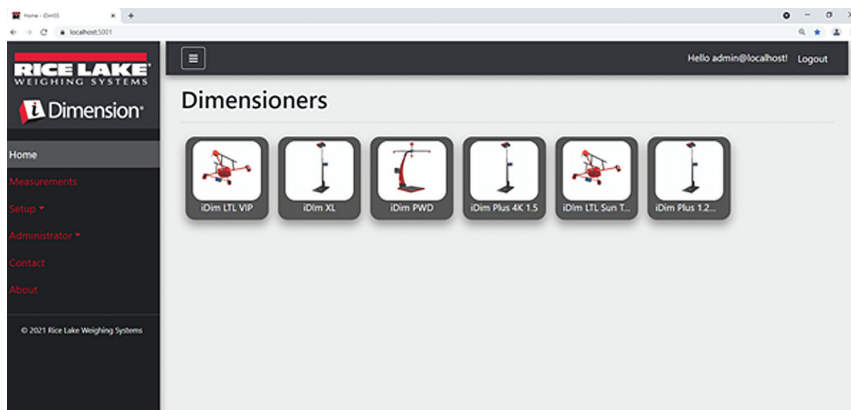


System Overview

iDimension® SS

Integration Software

DIMENSIONING



iDimension SS is a robust, dynamic application for managing scan data captured by iDimension Dimensioning Solutions.

Standard Features

- Automatically display and/or transmit density and NMFC freight class
- Real-time data access and triggering via REST API Swagger API development toolkit included
- Supported peripherals include bar code scanners and label printers
- Measurement database – configurable for capturing and transferring:
 - Identification #, i.e. Pro or sales order number
 - Dimensions L x W x H
 - Scale or manual keyboard weight entry
 - Volume
 - Three configurable user fields
 - Color high resolution images
 - Bounding box images
 - Volumetric conversion
 - Email notification alerts
 - Error logging
- Digital remote I/O configuration for use with PLCs
- Shipping method analyzer for girth and volume analysis thresholds in conjunction with the iDimension SS real-time display desktop application
- Local data storage
- Automatic data export, options include FTP, SFTP, FTPS and SMB configurable
- Data export, including image format composition and annotations available in data export provides output in CSV, JSON, XML and TXT file formats
- QR code display for alternate input into MRP, TMS and WMS systems
- Error logging with high resolution image capture
- Role-based security model protects data and prevents unwanted configuration changes
- Comprehensive application log files available to download
- Forklift database for use with Stop & Go

SQLite database maximum size capabilities is dependent upon file system type.

System Requirements

- Windows 10 build 1607 or newer (64-bit only)
- 2.0 GHz processor or faster
- 250 MB hard disk space needed for install
- 8 GB RAM or greater
- Ethernet TCP/IP communication to dimensioning devices plus optional scanners, printers and Rice Lake Weighing 680 and 1280 scale indicators
- Supported web browser (Chrome®, Microsoft Edge®, Firefox®, Safari®)

Part Numbers/Price

Part #	Description	Price
203010***	iDimension Desktop Wedge (Windows 10 required)	N/C
175812	iDimension SS (software suite) web server software (Windows 10 required)	\$2,250.00
201447	iDimension SS real-time status display desktop app (Stop & Go)	\$250.00
201448	iDimension SS standalone forklift data management web app (Stop & Go)	\$250.00

*** Available for free download at www.ricelake.com

