

# Hardware and Accessories

|  |     |  |
|--|-----|--|
| TABLE OF CONTENTS  |     |  |
| HARDWARE AND ACCESSORIES .....                               | 413 |  |
| LOAD CELL MOUNTING HARDWARE                                  |     |  |
| SAFETY GUIDELINES .....                                      | 414 |  |
| MOUNTING ASSEMBLY  |     |  |
| COMPONENT IDENTIFICATION .....                               | 415 |  |
| JAM NUTS .....   | 415 |  |
| EYE NUTS .....   | 416 |  |
| CLEVIS MOUNT ASSEMBLIES .....                                | 416 |  |
| COUPLING NUTS .....  | 416 |  |
| LOAD CELL EYE BOLTS .....                                    | 417 |  |
| ROD END BALL JOINTS .....                                    | 418 |  |
| CONNECTING LINKS .....                                       | 418 |  |
| LOAD CELL ISOLATORS .....                                    | 419 |  |
| THREADED ADAPTORS .....                                      | 419 |  |
| ITCM HARDWARE KITS .....                                     | 420 |  |
| GROUNDING STRAP .....  | 421 |  |
| BALL BEARINGS .....  | 421 |  |
| LOAD RECEIVER PLATE .....                                    | 421 |  |
| LOAD CUPS .....  | 421 |  |
| WIRE ROPE ASSEMBLIES .....                                   | 422 |  |
| CARDINAL® WIRE ROPE ASSEMBLIES .....                         | 422 |  |
| CUSTOM WIRE ROPES .....                                      | 422 |  |
| CUSTOM WIRE ROPE<br>DEFINITION FORM .....                    | 423 |  |
| SPHERICAL WASHER SETS .....                                  | 424 |  |
| LOAD CELL SPACERS .....                                      | 424 |  |
| LOAD BUTTON .....  | 424 |  |
| WELDLESS END LINKS .....                                     | 424 |  |
| LOAD BUTTON INSERT KIT .....                                 | 425 |  |
| FLINTEC™ ADJUSTABLE RUBBER FOOT ..                           | 425 |  |
| SUREFOOT™ .....  | 425 |  |
| BENCH SCALE FEET .....                                       | 425 |  |
| POLYURETHANE<br>RUBBER LEVELING FEET .....                   | 426 |  |
| CAPTURED BALL<br>FLOOR SCALE LEVELING FEET .....             | 426 |  |
| LEVELING MOUNT .....   | 427 |  |
| LEVELING PADS .....  | 427 |  |
| LEVELING PAD STEMS .....                                     | 427 |  |
| ROUGHDECK® SCALE BASE .....                                  | 428 |  |
| SUMMIT® 3000 SCALE BASE .....                                | 428 |  |
| FLOOR SCALE BASE .....                                       | 428 |  |
| COMPLETE<br>CUSTOM CABLE SERVICES .....                      | 429 |  |
| EL147, 6 WIRE .....  | 430 |  |
| <i>Standard Load Cell Cable</i>                              |     |  |
| EL147RP PLUS, 6 WIRE .....                                   | 430 |  |
| <i>Rodent Protection Load Cell Cable</i>                     |     |  |
| EL147HE, 6 WIRE .....  | 431 |  |
| <i>Hostile Environment Load Cell Cable</i>                   |     |  |
| EL147IS, 6 WIRE .....  | 431 |  |
| <i>Hazardous Environment Blue Jacket Load Cell Cable</i>     |     |  |
| EL146, 4 WIRE .....  | 432 |  |
| <i>Standard Load Cell Cable</i>                              |     |  |
| EL146HE, 4 WIRE .....  | 432 |  |
| <i>Hostile Environment Load Cell Cable</i>                   |     |  |
| EL144 COMMUNICATIONS CABLE .....                             | 433 |  |
| BCD CABLE .....  | 433 |  |
| FIBER-OPTIC CABLE .....                                      | 434 |  |
| SURVIVOR® EL620HE .....                                      | 434 |  |
| <i>High Temperature Cable</i>                                |     |  |
| SURVIVOR® CABLE ARMOR .....                                  | 434 |  |
| METTLER TOLEDO® POWER CELL® .....                            | 435 |  |
| <i>Homerun Cable</i>   |     |  |
| EL148HE METTLER TOLEDO® .....                                | 435 |  |
| <i>Replacement Power Cell Cable</i>                          |     |  |
| LOAD CELL CONDUIT ADAPTORS .....                             | 435 |  |
| CORD GRIP ASSEMBLIES .....                                   | 436 |  |
| EL214 CABLE SPLICING KIT .....                               | 436 |  |
| EL214T CABLE SPLICING KIT .....                              | 436 |  |
| FLINTEC™ LOAD CELL CABLE .....                               | 437 |  |
| <i>Replacement Kits</i>                                      |     |  |
| EL215 CABLE SPLICING KIT .....                               | 437 |  |
| FIVE-POSITION CONNECTORS, SHELL<br>PLUGS, RECEPTACLES .....  | 438 |  |
| SEVEN-POSITION CONNECTORS,<br>SHELL PLUGS, RECEPTACLES ..... | 438 |  |
| SIX-POSITION CONNECTORS, SHELL<br>PLUGS, RECEPTACLES .....   | 438 |  |
| T-STRIP MOLDING .....  | 439 |  |
| T-GRIP MOLDING .....   | 439 |  |
| ELECTRONIC SCALE TICKETS .....                               | 440 |  |
| <i>Create Your Own Custom Ticket</i>                         |     |  |
| MECHANICAL SCALE TICKETS .....                               | 441 |  |
| PRINTER DUST COVERS .....                                    | 442 |  |
| PRINTER CABLES .....   | 443 |  |
| STATIC BRUSHES .....   | 444 |  |
| IONIZING STRIPS .....  | 444 |  |
| IONIZING STRIP ACCESSORIES .....                             | 444 |  |
| CRIMPER AND LEAD SEALS .....                                 | 445 |  |
| DESICCANTS .....   | 445 |  |
| INDUSTRIAL CORROSION INHIBITOR ...                           | 445 |  |
| STATIC CONTROL TABLE MAT<br>AND FLOOR MAT .....              | 446 |  |
| STATIC CONTROL WRIST STRAP .....                             | 446 |  |
| STATIC SHIELDING BAGS .....                                  | 447 |  |
| STATIC-SAFE SERVICE KIT .....                                | 447 |  |
| RICE LAKE'S SCALE TECHNICIAN KITS ..                         | 448 |  |

The following product names, logos, brands, and other trademarks featured or referred to within this publication are the property of their respective trademark holders.

# Load Cell Mounting Hardware Safety Guidelines

Install only load cell mounting hardware and assemblies that have been specifically designed for use in tank, hopper or hanging scale applications. Often, the use of an inferior-grade product results in component failure which risks equipment damage and personal injury. These simple suggestions are provided to help minimize your exposure to vessel scale installation hazards.

## 1. Estimating Gross Load

To select the correct load cell or load cell hardware for a given application, it is necessary to know the total weight on the scale—including the net weight of product, the tare weight of the vessel and the weight of the platform, tank or hopper, as appropriate.

## 2. Safe Load

Do not exceed the safe load figures listed in Rice Lake Weighing Systems' catalog for any load cell hardware. Where shock loads are present, it may be necessary to derate these safe load figures depending on the severity of the shock load.

## 3. Load Distribution

In multiple-load-cell applications, the weight must be evenly distributed between all cells.

## 4. Threaded Connections

Check that all threads of a threaded connection are in engagement. For example, an eye bolt screwed into an s-type load cell should protrude slightly on the opposite side.

## 5. Jam Nuts

All threaded connections must be locked with jam nuts against inadvertent disassembly. If a load is suspended from a single load cell, it is critical that the load cannot rotate as this may loosen the jam nut.

## 6. Wire Rope Assemblies

With wire rope assemblies, do not twist the rope during assembly or disassembly. For example, do not remove a frozen nut from one end of a rope assembly by holding the opposite end.

## 7. Attachment Points of a Load Cell Hardware Assembly

The attachment points of a load cell hardware assembly must be aligned properly and the assembly should be essentially vertical.

## 8. Swaying in a Suspended Vessel Scale

If there is excessive swaying in a suspended vessel scale, apply

horizontal checking to reduce the amplitude.

## 9. Safety Backup

If failure of one or more load cell hardware assemblies could cause injury or damage, a safety backup (safety chains, safety rods, etc.) must be used. The assemblies should be inspected routinely for damage, excessive wear or corrosion and replaced if necessary.

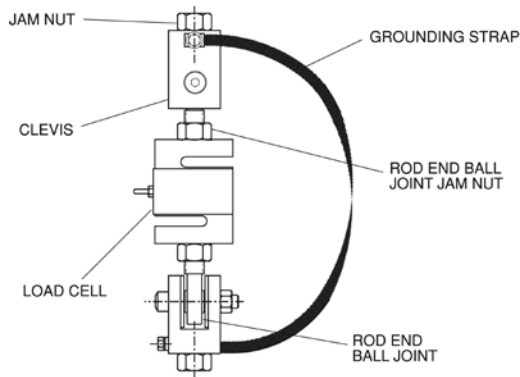
## 10. Hopper Scales: Guarding Against Contamination

With hopper scales, guard against contamination of the product being weighed in case of failure of the load cell or hardware assembly. For example, do not locate a wire rope assembly over a hopper scale where broken strands of wire could fall into the weighing vessel, contaminating the product being weighed.

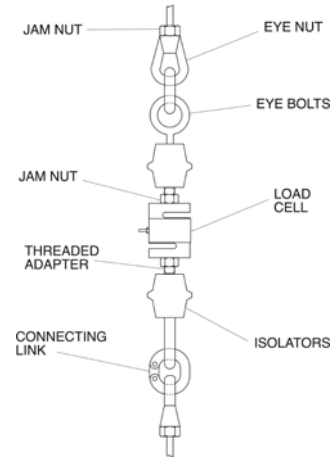
## 11. Selecting Steel Rod or Any Other Weight-Bearing Components

Select steel rod or any other weight-bearing components so the minimum tensile strength is at least four times the total weight carried by that component. Note that threaded rod is generally made from a low tensile-strength mild steel which should be checked for tensile strength before use in any suspended vessel scale.

# Mounting Assembly Component Identification



ITCM Isolated Tension Cell Mounting Assembly



Conventional Tension Mounting Assembly

Our popular Isolated Tension Cell Mounting (ITCM) assembly and other conventional suspended weighing system assemblies employ a variety of serviceable hardware components. Rice Lake Weighing Systems offers a comprehensive selection of these items for all of your suspended vessel service needs. These drawings are designed to enable you to quickly identify and differentiate components from both of these common designs. All corresponding replacement hardware is located on the following pages.

## Jam Nuts



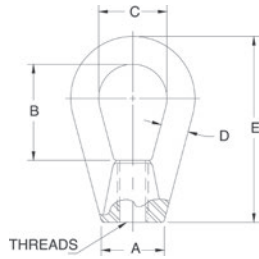
### Standard Features

- Mild steel/stainless steel
- Coarse or fine thread
- Zinc-plated mild steel or stainless steel

| Thread Size                      | Part # | Price  |
|----------------------------------|--------|--------|
| <b>Mild Steel, Fine Thread</b>   |        |        |
| 1/4-28 UNF                       | 14639  | \$1.00 |
| 3/8-24 UNF                       | 14651  | \$1.00 |
| 1/2-20 UNF                       | 14664  | \$1.60 |
| 3/4-16 UNF                       | 14687  | \$1.60 |
| 1-12 UNF                         | 14702  | \$5.99 |
| 1-14 UNF                         | 14703  | \$4.90 |
| 1 1/4-12 UNF                     | 14708  | \$3.60 |
| 1 1/2-12 UNF                     | 14711  | \$4.90 |
| <b>Mild Steel, Coarse Thread</b> |        |        |
| 1/4-20 UNC                       | 14636  | \$1.00 |
| 3/8-16 UNC                       | 14649  | \$2.25 |
| 1/2-13 UNC                       | 14661  | \$1.00 |
| 5/8-11 UNC                       | 14676  | \$2.25 |
| 3/4-10 UNC                       | 14686  | \$1.06 |
| 1-8 UNC                          | 14701  | \$1.20 |
| 1-1/4-7 UNC                      | 14707  | \$3.30 |

| Thread Size                           | Part # | Price  |
|---------------------------------------|--------|--------|
| <b>Stainless Steel, Fine Thread</b>   |        |        |
| 1/4-28 UNF                            | 14640  | \$1.30 |
| 1/2-20 UNF                            | 14665  | \$1.80 |
| 3/4-16 UNF                            | 14688  | \$2.30 |
| <b>Stainless Steel, Coarse Thread</b> |        |        |
| 3/8-16 UNC                            | 14653  | \$2.10 |
| 1/2-13 UNC                            | 14662  | \$1.85 |
| 5/8-11 UNC                            | 14680  | \$2.10 |
| 3/4-10 UNC                            | 14690  | \$2.25 |

# Eye Nuts



## Standard Features

- Drop-forged steel, tapped NC right-hand threads

## Part Number/Price

| Part # | A       | B       | C       | D       | E       | Thread Size | Safe Load* | Price   |
|--------|---------|---------|---------|---------|---------|-------------|------------|---------|
| 17772  | 0.50 in | 1.06 in | 0.75 in | 0.25 in | 1.68 in | 1/4-20 UNC  | 500 lb     | \$48.00 |
| 17773  | 0.75 in | 1.18 in | 0.87 in | 0.31 in | 2.25 in | 3/8-16 UNC  | 1,800 lb   | \$32.00 |
| 17774  | 1.00 in | 1.56 in | 1.12 in | 0.43 in | 3.00 in | 1/2-13 UNC  | 3,600 lb   | \$48.00 |
| 17775  | 1.25 in | 1.93 in | 1.37 in | 0.56 in | 3.75 in | 5/8-11 UNC  | 5,800 lb   | \$53.00 |

\*Do not exceed the safe load

# Coupling Nuts



## Standard Features

- Heavy hex

## Part Number/Price

| Part # | Thread Size | Length  | Flat    | Safe Load* | Price   |
|--------|-------------|---------|---------|------------|---------|
| 14638  | 1/4-20 UNC  | 1.75 in | 0.44 in | 500 lb     | \$7.50  |
| 14650  | 3/8-16 UNC  | 1.75 in | 0.62 in | 1,500 lb   | \$7.40  |
| 14663  | 1/2-13 UNC  | 1.75 in | 0.87 in | 3,000 lb   | \$7.40  |
| 14681  | 5/8-11 UNC  | 2.12 in | 1.06 in | 7,500 lb   | \$10.50 |
| 14691  | 3/4-10 UNC  | 2.25 in | 1.25 in | 10,000 lb  | \$11.50 |

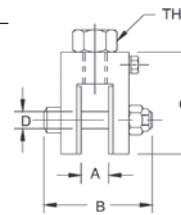
\*Do not exceed the safe load

# Clevis Mount Assemblies

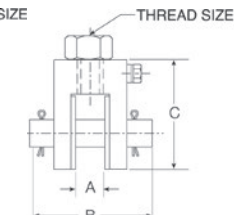


## Standard Features

- Mild steel
- Assembly used in the ITCM
- Adapts rod to rod-end ball joint
- Provides electrical isolation for load cell protection
- Elimination of unwanted side loads
- Optional stainless steel provides enhanced corrosion resistance



Clevis Mount with bolt



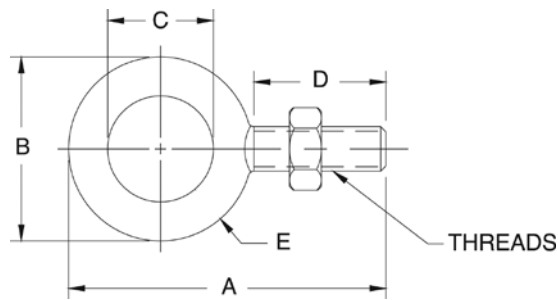
Clevis Mount with pin

## Part Number/Price

| Part #                          | A       | B       | C       | D       | Thread Size | Safe Load* | Price    |
|---------------------------------|---------|---------|---------|---------|-------------|------------|----------|
| <b>Mild Steel with Bolt</b>     |         |         |         |         |             |            |          |
| 17792                           | 0.52 in | 2.38 in | 1.94 in | 0.38 in | 3/8-16 UNC  | 300 lb     | \$83.00  |
| 17793                           | 0.52 in | 2.38 in | 1.94 in | 0.38 in | 1/2-13 UNC  | 300 lb     | \$83.00  |
| 17783                           | 0.39 in | 1.81 in | 1.69 in | 0.25 in | 1/2-13 UNC  | 500 lb     | \$94.00  |
| 17784                           | 0.65 in | 2.68 in | 2.31 in | 0.50 in | 3/4-10 UNC  | 4,000 lb   | \$94.00  |
| 17785                           | 0.78 in | 3.37 in | 3.00 in | 0.62 in | 1-8 UNC     | 10,000 lb  | \$94.00  |
| 17786                           | 0.39 in | 1.81 in | 1.69 in | 0.25 in | 3/8-16 UNC  | 500 lb     | \$94.00  |
| 17787                           | 0.65 in | 2.68 in | 2.31 in | 0.50 in | 1/2-13 UNC  | 2,000 lb   | \$94.00  |
| 17788                           | 0.65 in | 2.68 in | 2.31 in | 0.50 in | 5/8-11 UNC  | 2,500 lb   | \$94.00  |
| 17789                           | 0.78 in | 3.37 in | 3.00 in | 0.62 in | 3/4-10 UNC  | 5,000 lb   | \$94.00  |
| <b>Mild Steel with Pin</b>      |         |         |         |         |             |            |          |
| 17790                           | 1.39 in | 4.12 in | 4.50 in | 1.00 in | 1 1/4-7 UNC | 15,000 lb  | \$350.00 |
| 17791                           | 1.22 in | 4.12 in | 5.00 in | 1.25 in | 1 1/2-6 UNC | 20,000 lb  | \$350.00 |
| <b>Stainless Steel with Pin</b> |         |         |         |         |             |            |          |
| 33644                           | 0.52 in | 2.38 in | 1.94 in | 0.38 in | 1/2-13 UNC  | 300 lb     | \$183.00 |
| 33643                           | 0.39 in | 1.81 in | 1.69 in | 0.25 in | 1/2-13 UNC  | 500 lb     | \$183.00 |
| 33641                           | 0.39 in | 1.81 in | 1.69 in | 0.25 in | 3/8-16 UNC  | 500 lb     | \$183.00 |
| 33658                           | 0.52 in | 2.38 in | 1.94 in | 0.38 in | 3/8-16 UNC  | 500 lb     | \$183.00 |
| 33642                           | 0.65 in | 2.68 in | 2.31 in | 0.50 in | 3/4-10 UNC  | 4,000 lb   | \$238.00 |
| 33640                           | 0.65 in | 2.68 in | 2.31 in | 0.50 in | 1/2-13 UNC  | 2,000 lb   | \$238.00 |
| 33639                           | 0.65 in | 2.68 in | 2.31 in | 0.50 in | 5/8-11 UNC  | 2,500 lb   | \$238.00 |
| 33638                           | 0.78 in | 3.37 in | 3.00 in | 0.62 in | 3/4-10 UNC  | 5,000 lb   | \$238.00 |

\*Do not exceed the safe load

# Load Cell Eye Bolts



## Standard Features

- Mild steel
- One jam nut included with each eye bolt

## Part Number/Price

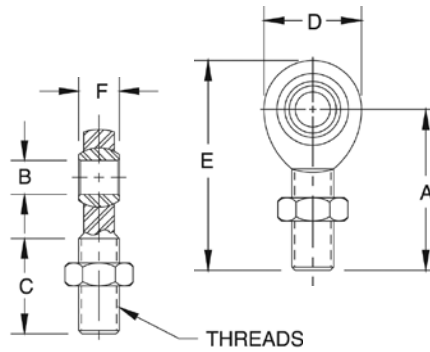
| Part #            | A       | B       | C       | D       | E       | Thread Size | Safe Load* | Price    |
|-------------------|---------|---------|---------|---------|---------|-------------|------------|----------|
| <b>Mild Steel</b> |         |         |         |         |         |             |            |          |
| 17705             | 2.25 in | 1.25 in | 0.75 in | 1.00 in | 0.25 in | 1/4-28 UNF  | 500 lb     | \$26.50  |
| 17707             | 2.91 in | 1.66 in | 1.00 in | 1.25 in | 0.33 in | 3/8-24 UNF  | 1,300 lb   | \$26.50  |
| 17709             | 3.56 in | 2.06 in | 1.19 in | 1.50 in | 0.44 in | 1/2-20 UNF  | 2,400 lb   | \$28.50  |
| 17711             | 4.25 in | 2.50 in | 1.37 in | 1.75 in | 0.56 in | 5/8-18 UNF  | 4,000 lb   | \$34.00  |
| 17713             | 4.81 in | 2.81 in | 1.50 in | 2.00 in | 0.66 in | 3/4-16 UNF  | 5,000 lb   | \$74.00  |
| 17715             | 6.06 in | 3.56 in | 1.81 in | 2.50 in | 0.87 in | 1-12 UNF    | 9,000 lb   | \$117.00 |
| 17716             | 6.06 in | 3.56 in | 1.81 in | 2.50 in | 0.87 in | 1-14 UNS    | 9,000 lb   | \$117.00 |
| 17704             | 2.25 in | 1.25 in | 0.75 in | 1.00 in | 0.25 in | 1/4-20 UNC  | 500 lb     | \$25.00  |
| 17706             | 2.91 in | 1.66 in | 1.00 in | 1.25 in | 0.33 in | 3/8-16 UNC  | 1,300 lb   | \$25.00  |
| 17708             | 3.56 in | 2.06 in | 1.19 in | 1.50 in | 0.44 in | 1/2-13 UNC  | 2,400 lb   | \$38.00  |
| 17710             | 4.25 in | 2.50 in | 1.37 in | 1.75 in | 0.56 in | 5/8-11 UNC  | 4,000 lb   | \$58.00  |
| 17712             | 4.81 in | 2.81 in | 1.50 in | 2.00 in | 0.66 in | 3/4-10 UNC  | 5,000 lb   | \$58.00  |
| 17714             | 6.06 in | 3.56 in | 1.81 in | 2.50 in | 0.87 in | 1-8 UNC     | 9,000 lb   | \$59.00  |
| 17717             | 7.44 in | 4.44 in | 2.19 in | 3.00 in | 1.12 in | 1 1/4-7 UNC | 15,000 lb  | \$169.00 |

\*Do not exceed the safe load

# Rod End Ball Joints



PTFE Lined Standard



## Standard Features

- Used in the ITCM assembly
- One jam nut included with each rod end ball joint
- Standard or PTFE-lined
- Optional stainless steel provides enhanced corrosion resistance for hostile environments

## Part Number/Price

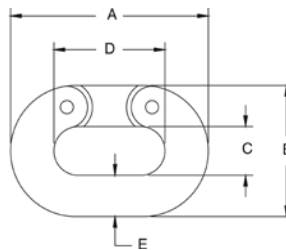
| Part #                 | Safe Load* | Breaking Strength | PTFE Lined | Price    |
|------------------------|------------|-------------------|------------|----------|
| <b>Mild Steel</b>      |            |                   |            |          |
| 17746                  | 975 lb     | 3,915 lb          | YES        | \$34.00  |
| 17734                  | 1,200 lb   | 4,916 lb          | NO         | \$24.00  |
| 17736                  | 4,000 lb   | 16,238 lb         | NO         | \$60.00  |
| 17738                  | 7,000 lb   | 28,081 lb         | NO         | \$103.00 |
| 17735                  | 2,000 lb   | 8,075 lb          | NO         | \$29.00  |
| 17737                  | 3,250 lb   | 13,831 lb         | NO         | \$42.00  |
| 17739                  | 500 lb     | 2,158 lb          | YES        | \$34.00  |
| 17740                  | 4,000 lb   | 16,238 lb         | YES        | \$55.00  |
| 17741                  | 10,000 lb  | 40,572 lb         | YES        | \$82.00  |
| 17742                  | 10,500 lb  | 43,541 lb         | NO         | \$154.00 |
| 26007                  | 15,000 lb  | 76,200 lb         | YES        | \$318.00 |
| 17747                  | 19,000 lb  | 76,200 lb         | YES        | \$366.00 |
| 17743                  | 20,000 lb  | 79,728 lb         | NO         | \$276.00 |
| 17744                  | 24,000 lb  | 96,510 lb         | NO         | \$382.00 |
| <b>Stainless Steel</b> |            |                   |            |          |
| 33505                  | 500 lb     | 2,158 lb          | YES        | \$148.00 |
| 33506                  | 1,500 lb   | 7,362 lb          | YES        | \$148.00 |
| 33507                  | 3,000 lb   | 16,238 lb         | YES        | \$159.00 |
| 33508                  | 7,000 lb   | 40,572 lb         | YES        | \$366.00 |

\*Do not exceed the safe load

## Dimensions

| Part #                 | A       | B       | C       | D       | E       | F       | Thread Size  |
|------------------------|---------|---------|---------|---------|---------|---------|--------------|
| <b>Mild Steel</b>      |         |         |         |         |         |         |              |
| 17746                  | 1.94 in | 0.37 in | 1.25 in | 1.00 in | 2.43 in | 0.50 in | 3/8-24 UNF   |
| 17734                  | 1.94 in | 0.37 in | 1.25 in | 1.00 in | 2.43 in | 0.50 in | 3/8-24 UNF   |
| 17736                  | 2.44 in | 0.50 in | 1.50 in | 1.31 in | 3.09 in | 0.62 in | 1/2-20 UNF   |
| 17738                  | 2.87 in | 0.75 in | 1.75 in | 1.75 in | 3.75 in | 0.87 in | 3/4-16 UNF   |
| 17735                  | 2.44 in | 0.50 in | 1.50 in | 1.31 in | 3.09 in | 0.62 in | 1/2-20 UNF   |
| 17737                  | 2.87 in | 0.75 in | 1.75 in | 1.75 in | 3.75 in | 0.87 in | 3/4-16 UNF   |
| 17739                  | 1.56 in | 0.25 in | 1.00 in | 0.75 in | 1.93 in | 0.37 in | 1/4-28 UNF   |
| 17740                  | 2.44 in | 0.50 in | 1.50 in | 1.31 in | 3.09 in | 0.62 in | 1/2-20 UNF   |
| 17741                  | 2.87 in | 0.62 in | 1.75 in | 1.75 in | 3.75 in | 0.75 in | 3/4-16 UNF   |
| 17742                  | 4.12 in | 1.00 in | 2.12 in | 2.75 in | 5.50 in | 1.37 in | 1-12 UNF     |
| 26007                  | 4.12 in | 1.00 in | 2.12 in | 2.75 in | 5.50 in | 1.37 in | 1-14 UNS     |
| 17747                  | 4.12 in | 1.00 in | 2.12 in | 2.75 in | 5.50 in | 1.37 in | 1-12 UNF     |
| 17743                  | 4.12 in | 1.25 in | 2.12 in | 2.75 in | 5.50 in | 1.09 in | 1 1/4-12 UNF |
| 17744                  | 5.37 in | 1.50 in | 3.00 in | 3.50 in | 7.12 in | 1.31 in | 1 1/2-12 UNF |
| <b>Stainless Steel</b> |         |         |         |         |         |         |              |
| 33506                  | 1.94 in | 0.37 in | 1.25 in | 1.00 in | 2.43 in | 0.50 in | 3/8-24 UNF   |
| 33505                  | 1.56 in | 0.25 in | 1.00 in | 0.75 in | 1.93 in | 0.37 in | 1/4-28 UNF   |
| 33507                  | 2.44 in | 0.50 in | 1.50 in | 1.31 in | 3.09 in | 0.62 in | 1/2-20 UNF   |
| 33508                  | 2.87 in | 0.62 in | 1.75 in | 1.75 in | 3.75 in | 0.75 in | 3/4-16 UNF   |

# Connecting Links



## Standard Features

- Drop-forged carbon steel, heat-treated, hot-dipped galvanized finish

## Part Number/Price

| Part # | A       | B       | C       | D       | E       | Safe Load* | Price    |
|--------|---------|---------|---------|---------|---------|------------|----------|
| 17794  | 1.50 in | 1.00 in | 0.43 in | 0.87 in | 0.25 in | 1,325 lb   | \$42.00  |
| 17795  | 2.06 in | 1.37 in | 0.56 in | 1.12 in | 0.37 in | 2,750 lb   | \$45.00  |
| 17796  | 2.65 in | 1.71 in | 0.65 in | 1.46 in | 0.50 in | 4,750 lb   | \$45.00  |
| 17797  | 3.31 in | 2.09 in | 0.78 in | 1.81 in | 0.62 in | 7,250 lb   | \$55.00  |
| 17798  | 3.87 in | 2.50 in | 0.93 in | 2.12 in | 0.75 in | 10,250 lb  | \$74.00  |
| 17799  | 5.00 in | 3.31 in | 1.25 in | 2.75 in | 1.00 in | 15,500 lb  | \$127.00 |

\*Do not exceed the safe load

# Load Cell Isolators



## Standard Features

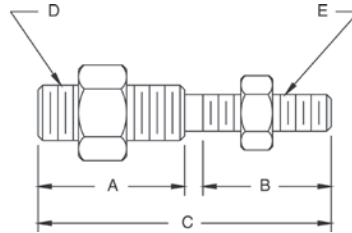
- Power surges such as those caused by welding or electrical shorts frequently damage load cells and indicators. To prevent such damage, these isolators electrically separate the mechanical assembly from its tension-type load cell.

## Part Number/Price

| Part # | Height Thread Size      | Diameter | Safe Load* | Price    |
|--------|-------------------------|----------|------------|----------|
| 17722  | 3/8-16 UNC              | 2.50 in  | 600 lb     | \$48.00  |
| 17724  | 1/2-13 UNC              | 2.50 in  | 600 lb     | \$53.00  |
| 17726  | 1/2-20 UNF              | 2.50 in  | 600 lb     | \$90.00  |
| 17725  | 1/2-13 UNC              | 2.00 in  | 3,000 lb   | \$127.00 |
| 17723  | 3/8-24 UNF              | 2.50 in  | 600 lb     | \$95.00  |
| 17728  | 1/2-13 UNC x 1/2-20 UNF | 2.50 in  | 600 lb     | \$69.00  |
| 17732  | 1/4-20 UNC              | 1.12 in  | 250 lb     | \$53.00  |

\*Do not exceed the safe load

# Threaded Adaptors



## Standard Features

- For coupling isolators with load cells and steel yard rods
- Supplied with jam nuts
- Now in stronger, more durable stainless steel

## Part Number/Price

| Part # | A       | B       | C       | D          | E          | Safe Load* | Price   |
|--------|---------|---------|---------|------------|------------|------------|---------|
| 33561  | —       | —       | 2.00 in | 1/4-28 UNF | 1/4-28 UNF | 300 lb     | \$29.00 |
| 33562  | 0.94 in | 0.94 in | 2.00 in | 1/4-28 UNF | 1/4-20 UNC | 300 lb     | \$32.00 |
| 33563  | 0.92 in | 1.02 in | 2.06 in | 1/4-28 UNF | 3/8-24 UNF | 300 lb     | \$37.00 |
| 33564  | 0.94 in | 0.94 in | 2.00 in | 1/4-28 UNF | 3/8-16 UNC | 300 lb     | \$29.00 |
| 33565  | 1.06 in | 1.06 in | 2.25 in | 1/4-20 UNC | 3/8-16 UNC | 300 lb     | \$32.00 |
| 33567  | 1.06 in | 1.06 in | 2.25 in | 1/4-28 UNF | 1/2-13 UNC | 300 lb     | \$32.00 |
| 33568  | —       | —       | 2.00 in | 3/8-24 UNF | 3/8-24 UNF | 500 lb     | \$42.00 |
| 33569  | 0.91 in | 0.91 in | 2.00 in | 3/8-16 UNC | 3/8-24 UNF | 500 lb     | \$36.00 |
| 33570  | 1.06 in | 1.06 in | 2.25 in | 3/8-24 UNF | 1/2-13 UNC | 500 lb     | \$32.00 |
| 33571  | 1.31 in | 1.31 in | 2.75 in | 1/2-13 UNC | 5/8-11 UNC | 3,000 lb   | \$32.00 |
| 33572  | 0.87 in | 0.87 in | 2.00 in | 1/2-13 UNC | 1/2-20 UNF | 3,000 lb   | \$36.00 |
| 33573  | —       | —       | 2.06 in | 1/2-20 UNF | 1/2-20 UNF | 3,000 lb   | \$36.00 |
| 33574  | 1.31 in | 1.31 in | 2.75 in | 1/2-20 UNF | 5/8-11 UNC | 3,000 lb   | \$38.00 |
| 33575  | 1.31 in | 1.31 in | 3.00 in | 3/4-16 UNF | 3/4-10 UNC | 7,000 lb   | \$40.00 |

\*Do not exceed the safe load



# ITCM Hardware Kits



The Isolated Tension Cell Mount (ITCM) is a mounting assembly designed for tension mounting s-beam load cells in suspended hopper assemblies and mechanical scale conversions. The ITCM incorporates clevis and unique rod end ball joint assemblies, reducing the overall length to less than half of traditional tension cell mounts, while providing correct load alignment. In addition, the load cell is completely electrically isolated from stray currents, a major cause of load cell failure. To complete the design, a grounding strap connects the two clevis assemblies to further ensure load cell safety.

## Standard Features

- Provides greater safety than traditional/ suspension configurations
- Complete package for ease of installation
- Built-in electrical isolation without having to use isolators (not available on 20,000 lb version)
- Provides correct load cell loading even in difficult installations
- Dramatically reduces overall length
- Capacities from 100 lb to 20,000 lb
- Clevis mounts with nylon insulating washers
- PTFE-lined rod-end ball joints (not available on 20,000 lb version)
- Completely isolates load cell from stray currents
- Grounding strap for electrical continuity
- Zinc plated clevis
- Mount only - does not include load cell

## Applications:

- Suspended hoppers
- Mechanical scale conversions
- Replaces traditional eye bolt, isolator configurations

Mount only - does not include load cell

## Part Number/Price

| Part #                 | Load Rating          | Clevis Thread | Rod End Thread | Safe Load* | Price      |
|------------------------|----------------------|---------------|----------------|------------|------------|
| <b>Mild Steel</b>      |                      |               |                |            |            |
| 17968                  | 300 lb               | 3/8-16        | 3/8-24         | 300 lb     | \$220.00   |
| 17969                  | 300 lb               | 1/2-13        | 3/8-24         | 300 lb     | \$220.00   |
| 17894                  | 500 lb               | 3/8-16        | 1/4-28         | 500 lb     | \$220.00   |
| 17895                  | 500 lb               | 1/2-13        | 1/4-28         | 500 lb     | \$220.00   |
| 17896                  | 2,000 lb             | 1/2-13        | 1/2-20         | 2,000 lb   | \$275.00   |
| 17897                  | 2,500 lb             | 5/8-11        | 1/2-20         | 2,500 lb   | \$275.00   |
| 17898                  | 4,000 lb             | 3/4-10        | 1/2-20         | 4,000 lb   | \$275.00   |
| 17899                  | 5,000 lb             | 3/4-10        | 3/4-16         | 5,000 lb   | \$315.00   |
| 17900                  | 10,000 lb            | 1-8           | 3/4-16         | 10,000 lb  | \$315.00   |
| 17958                  | 15,000 lb (RL20000I) | 1 1/4-7       | 1-12           | 15,000 lb  | \$1,250.00 |
| 63166                  | 15,000 lb (RL20001)  | 1 1/4-7       | 1-14           | 15,000 lb  | \$1,195.00 |
| 17959                  | 20,000 lb**          | 1 1/2-6       | 1 1/4-12       | 20,000 lb  | \$1,100.00 |
| <b>Stainless Steel</b> |                      |               |                |            |            |
| 33630                  | 500 lb               | 3/8-16        | 3/8-24         | 500 lb     | \$625.00   |
| 33631                  | 300 lb               | 1/2-13        | 3/8-24         | 300 lb     | \$625.00   |
| 33632                  | 500 lb               | 3/8-16        | 1/4-28         | 500 lb     | \$625.00   |
| 33633                  | 500 lb               | 1/2-13        | 1/4-28         | 500 lb     | \$625.00   |
| 33634                  | 2,000 lb             | 1/2-13        | 1/2-20         | 2,000 lb   | \$750.00   |
| 33635                  | 2,500 lb             | 5/8-11        | 1/2-20         | 2,500 lb   | \$750.00   |
| 33636                  | 3,000 lb             | 3/4-10        | 1/2-20         | 3,000 lb   | \$750.00   |
| 33637                  | 5,000 lb             | 3/4-10        | 3/4-16         | 5,000 lb   | \$1,100.00 |

\* Not electrically isolated

\*\*Do not exceed the safe load

Note: Replacement parts for mounts can be found in the Replacement Parts Catalog.



# Grounding Strap



## Standard Features

- Used in the ITCM assembly
- Tinned copper braid
- Crimped sleeve on ends with 0.25 in hole
- Available in 12 in, 14 in, 16 in, 24 in or 32 in lengths

## Part Number/Price

| Part # | Length | Price   |
|--------|--------|---------|
| 17778  | 12 in  | \$19.00 |
| 17779  | 14 in  | \$19.00 |
| 17780  | 16 in  | \$20.00 |
| 17781  | 24 in  | \$21.00 |
| 17782  | 32 in  | \$30.00 |

# Ball Bearings



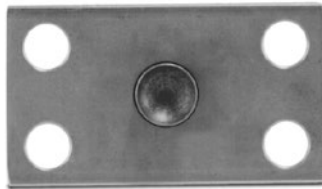
## Standard Features

- Ball bearings are used with load cup and load receivers to build custom scales
- Use with load cup and load receiver to build a custom scale
- 52100 chrome alloy steel

## Part Number/Price

| Part # | Drawing Dimensions                         | Price   |
|--------|--|---------|
| 18815  | 5/8 in diameter crush strength 32,000 lb   | \$16.00 |
| 18816  | 7/8 in diameter crush strength 59,000 lb   | \$18.00 |
| 65841  | 1.25 in diameter crush strength 100,000 lb | \$37.00 |

# Load Receiver Plate

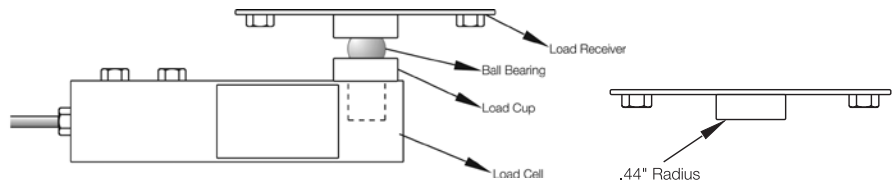
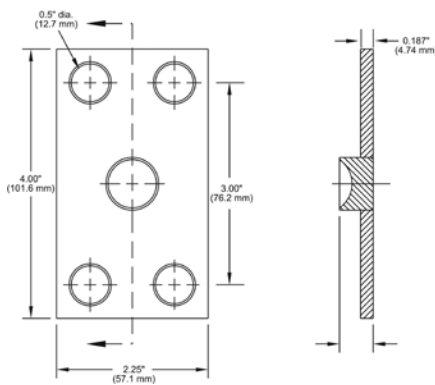


## Standard Features

- Design offers accurate point loading
- Self-centering effect built in
- Ease of manufacture for custom applications
- Use with load cup and ball bearings to build a custom scale
- Ball and cup load introduction provides point loading for maximum accuracy
- Stainless steel construction

## Part Number/Price

| Part # | Description         | Price        |
|--------|---------------------|--------------|
| 18832  | Load receiver plate | \$58.00 each |



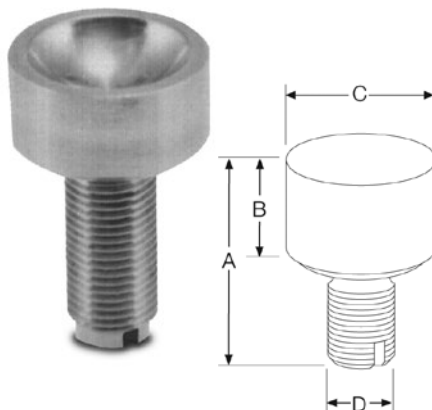
# Load Cups

## Standard Features

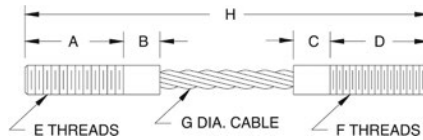
- Ball and cup load introduction provides point loading for maximum accuracy
- For use with most popular single-ended beam load cells
- Constructed of 440C

## Part Number/Price

| Part # | A  | B       | C       | D          | Price    |
|--------|--|---------|---------|------------|----------|
| 31911  | 1.70 in  | 0.54 in | 1.07 in | 1/2-20 UNF | \$58.00  |
| 33654  | 1.12 in  | 0.54 in | 0.78 in | 1/2-20 UNF | \$47.00  |
| 33653  | 1.50 in  | 0.80 in | 1.12 in | 3/4-16 UNF | \$48.00  |
| 33652  | 2.00 in  | 0.85 in | 1.75 in | 1-12 UNF   | \$114.00 |
| 33651  | 2.85 in  | 0.85 in | 1.75 in | 1-12 UNF   | \$160.00 |
| 33650  | 2.85 in  | 0.85 in | 1.75 in | 1-14 UNF   | \$160.00 |
| 33647  | 2.75 in  | 0.50 in | 0.75 in | 1/2-20 UNF | \$57.00  |
| 72364  | 1.78 in  | 0.53 in | 0.78 in | 1/2-20 UNF | \$69.00  |
| 69431  | Replacement cup for Cardinal® SCA-50,000 load cell |         |         |            | \$143.00 |



# Wire Rope Assemblies



## Standard Features

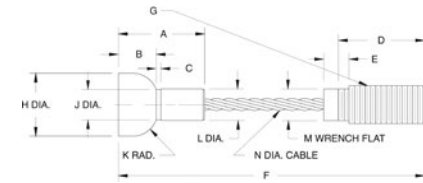
- Wire rope assemblies provide better alignment and greatly increase load cell repeatability. In addition, they act as natural vibration dampeners.

## Part Number/Price

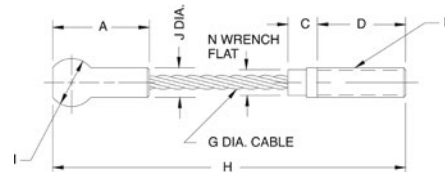
| Part #    | A       | B & C   | D       | E             | F             | G        | H       | Safe Load* | Price    |
|-----------|---------|---------|---------|---------------|---------------|----------|---------|------------|----------|
| 17760     | 0.87 in | 0.50 in | 0.87 in | 1/4-20 UNC-2A | 1/4-28 UNF-2A | 0.12 in  | 4.00 in | 400 lb     | \$58.00  |
| 17762     | 1.25 in | 0.50 in | 1.25 in | 3/8-16 UNC-2A | 3/8-24 UNF-2A | 0.18 in  | 5.00 in | 850 lb     | \$64.00  |
| 17766     | 1.62 in | 0.50 in | 1.62 in | 1/2-13 UNC-2A | 1/2-20 UNF-2A | 0.25 in  | 6.50 in | 1,400 lb   | \$66.00  |
| 17765     | 1.62 in | 0.50 in | 1.62 in | 1/2-13 UNC-2A | 1/2-20 UNF-2A | 0.25 in  | 5.50 in | 1,400 lb   | \$79.00  |
| 17764     | 1.00 in | -       | 1.37 in | 1/2-20 UNF-2A | 1/2-20 UNF-2A | 0.25 in  | 4.00 in | 1,400 lb   | \$95.00  |
| 17768     | 2.00 in | -       | 2.50 in | 3/8-24 UNF-2A | 3/8-24 UNF-2A | 0.12 in  | 5.50 in | 400 lb     | \$143.00 |
| 17769**   | 1.25 in | -       | 0.75 in | 1/4-28 UNF-2A | 1/4-28 UNF-2A | 0.12 in  | 3.00 in | 400 lb     | \$159.00 |
| 17771**   | 1.25 in | -       | 0.75 in | 1/2-20 UNF-2A | 1/2-20 UNF-2A | 0.25 in  | 3.00 in | 1,400 lb   | \$69.00  |
| 115292*** | 1.25 in | -       | 0.75 in | 1/4-28 UNF-2A | 1/4-28 UNF-2A | 0.12 in  | 3.00 in | 300 lb     | \$111.00 |
| 33084**** | 1.31 in | -       | 1.00 in | 1/2-20 UNF    | 1/2-20 UNF    | 0.125 in | 3.62 in | 850 lb     | \$87.00  |

\*Do not exceed the safe load \*\*Used with Rice Lake Weighing Systems flexure bases \*\*\*Stainless steel \*\*\*\*Used with Rice Lake Weighing Systems FXB flexure bases

# Cardinal<sup>®</sup> Wire Rope Assemblies



Part #17767 EL209



Part #17763 EL208

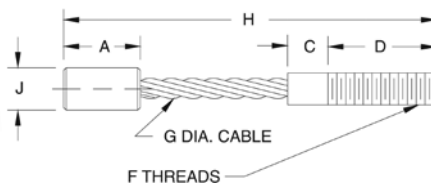
## Standard Features

- EL208 Cardinal wire rope assembly: Used on 7,500 lb capacity FH model and 8,000 lb capacity EP model.
- EL209 Cardinal wire rope assembly: Used on 20,000 lb capacity FH and EP models. May also be used on 15,000 lb capacity FH and EP models.

## Part Number/Price

| Part # | A       | B       | C       | D       | E       | F          | G             | H       | I       | J       | K       | L & M    | N        | Price    |
|--------|---------|---------|---------|---------|---------|------------|---------------|---------|---------|---------|---------|----------|----------|----------|
| 17763  | 1.50 in | -       | 0.50 in | 1.50 in | -       | 1/2-13 UNC | 0.25 in       | 6.00 in | 0.81 in | 0.43 in | -       | -        | 0.43 in  | \$126.50 |
| 17767  | 1.71 in | 0.75 in | 0.09 in | 2.00 in | 0.43 in | 6.31 in    | 3/4-10 UNC-2A | 1.25 in | -       | 0.60 in | 0.50 in | 0.625 in | 0.375 in | \$247.50 |

# Custom Wire Ropes



## Standard Features

- Custom wire ropes are available for your specific applications
- When ordering, please complete Custom Wire Rope Definition Form, a sample if possible, the required tension rating and total capacity.

# Custom Wire Rope Definition Form

Customer's Name: \_\_\_\_\_

Contact Person: \_\_\_\_\_

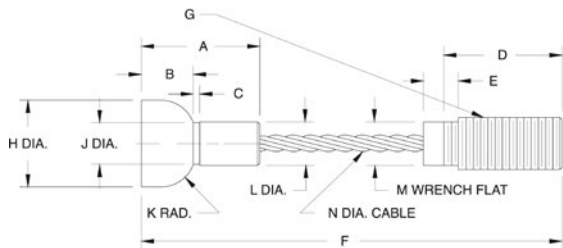
Date: \_\_\_\_\_

Application: \_\_\_\_\_

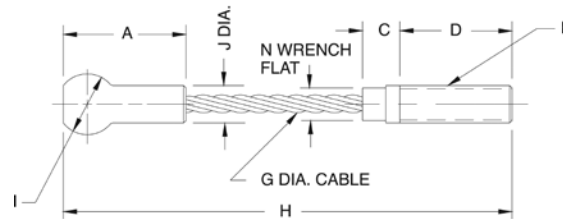
## Wire Rope\* (Enter Dimensions to Form)

|                 |                  |                    |
|-----------------|------------------|--------------------|
| A Thread length | F Threads        | K Safe load        |
| B Shank length  | G Rope diameter  | L Environment      |
| C Shank length  | H Overall length | M Application      |
| D Thread length | I Ball diameter  | N Style            |
| E Threads       | J Shank diameter | O Desired Material |

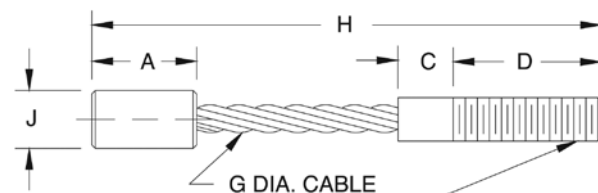
\*Use drawings below for reference



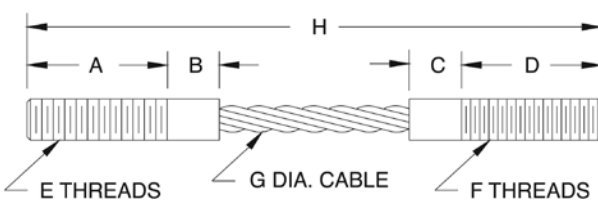
Style A



Style B



Style C

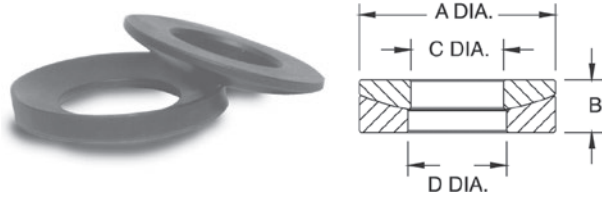


Style D



Style E

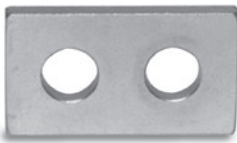
# Spherical Washer Sets



## Part Number/Price

| Part #                 | Bolt Size | A       | B       | C       | D       | Price    |
|------------------------|-----------|---------|---------|---------|---------|----------|
| <b>Mild Steel</b>      |           |         |         |         |         |          |
| 15196                  | 0.25 in   | 0.62 in | 0.20 in | 0.28 in | 0.31 in | \$16.00  |
| 15197                  | 0.38 in   | 0.88 in | 0.25 in | 0.41 in | 0.44 in | \$19.00  |
| 15198                  | 0.50 in   | 1.12 in | 0.31 in | 0.53 in | 0.56 in | \$8.50   |
| 15199                  | 0.62 in   | 1.38 in | 0.31 in | 0.66 in | 0.69 in | \$20.00  |
| 15200                  | 0.75 in   | 1.62 in | 0.38 in | 0.78 in | 0.81 in | \$25.00  |
| 15201                  | 1.00 in   | 2.00 in | 0.50 in | 1.06 in | 1.12 in | \$39.00  |
| 15202                  | 1.25 in   | 2.62 in | 0.50 in | 1.31 in | 1.38 in | \$72.00  |
| 15203                  | 1.50 in   | 2.88 in | 0.53 in | 1.56 in | 1.62 in | \$79.00  |
| 15205                  | 2.00 in   | 3.88 in | 0.81 in | 2.06 in | 2.12 in | \$127.00 |
| <b>Stainless Steel</b> |           |         |         |         |         |          |
| 33218                  | 0.50 in   | 1.12 in | 0.31 in | 0.53 in | 0.56 in | \$27.00  |
| 33220                  | 0.75 in   | 1.62 in | 0.38 in | 0.78 in | 0.81 in | \$38.00  |

# Load Cell Spacers

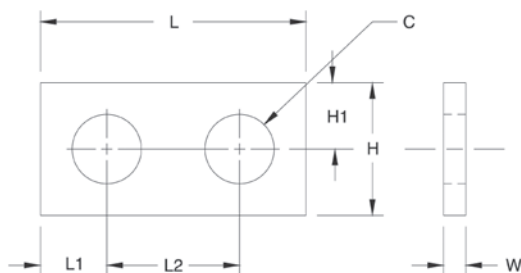


## Standard Features

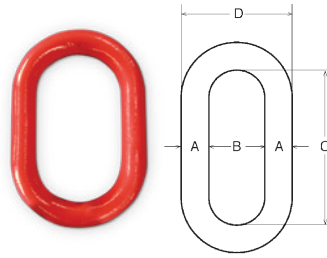
- Use with most popular single-ended beams
- Provides flat mounting surface required for optimum load cell performance
- Zinc-plated mild steel or stainless steel

## Part Number/Price

| Part #                 | C       | H       | H1      | L       | L1      | L2      | W       | Price   |
|------------------------|---------|---------|---------|---------|---------|---------|---------|---------|
| <b>Mild Steel</b>      |         |         |         |         |         |         |         |         |
| 17754                  | 0.53 in | 1.25 in | 0.62 in | 2.25 in | 0.62 in | 1.00 in | 0.25 in | \$29.00 |
| 17755                  | 0.78 in | 1.50 in | 0.75 in | 3.00 in | 0.75 in | 1.50 in | 0.25 in | \$29.00 |
| 17756                  | 1.03 in | 2.00 in | 1.00 in | 4.00 in | 1.00 in | 2.00 in | 0.25 in | \$30.00 |
| 18260                  | 0.53 in | 1.25 in | 0.62 in | 2.25 in | 0.62 in | 1.00 in | 0.37 in | \$31.00 |
| <b>Stainless Steel</b> |         |         |         |         |         |         |         |         |
| 17757                  | 0.78 in | 1.50 in | 0.75 in | 3.00 in | 0.75 in | 1.50 in | 0.25 in | \$37.00 |
| 18383                  | 0.53 in | 1.25 in | 0.62 in | 2.25 in | 0.62 in | 1.00 in | 0.37 in | \$32.00 |
| 18411                  | 0.53 in | 1.25 in | 0.62 in | 2.25 in | 0.62 in | 1.00 in | 0.25 in | \$33.00 |



# Weldless End Links



## Standard Features

- Self-colored or hot-dip galvanized
- Forged carbon steel quenched and tempered

## Part Number/Price

| Part # | A        | B       | C       | D       | Safe Load* | Price    |
|--------|----------|---------|---------|---------|------------|----------|
| F312L  | 0.625 in | 1.00 in | 3.25 in | 2.32 in | 9,300 lb   | \$58.00  |
| 17810  | 0.875 in | 2.00 in | 5.13 in | 3.75 in | 12,000 lb  | \$175.00 |
| 21911  | 1.00 in  | 2.25 in | 5.75 in | 4.25 in | 15,200 lb  | \$344.00 |
| 65430  | 1.25 in  | 2.50 in | 7.00 in | 5.00 in | 26,400 lb  | \$159.00 |
| 21912  | 1.375 in | 2.75 in | 7.75 in | 5.50 in | 30,000 lb  | \$488.00 |

\*Do not exceed the safe load

# Load Button

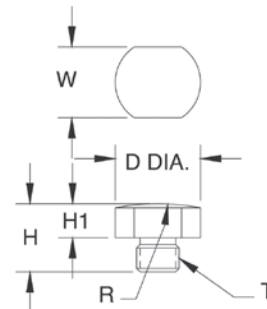


## Standard Features

- Suitable for use with compression mounting assemblies, canisters, s-beams and single-ended beams
- Hardened alloy steel

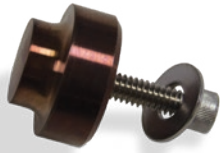
## Part Number/Price

| Part # | T          | D       | H       | H1      | R       | W       | Price   |
|--------|------------|---------|---------|---------|---------|---------|---------|
| 17750  | 3/8-24 UNF | 0.75 in | 0.60 in | 0.30 in | 2.00 in | 0.63 in | \$37.00 |
| 17751  | 1/2-20 UNF | 0.75 in | 0.70 in | 0.30 in | 4.00 in | 0.63 in | \$32.00 |
| 17752  | 3/4-16 UNF | 1.50 in | 0.90 in | 0.30 in | 6.00 in | 1.25 in | \$50.00 |



# Load Button Insert Kit

# Surefoot™

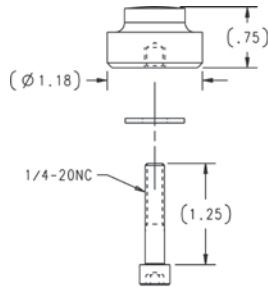


## Standard Features

- To be used with RLSSB and VPG® Revere load cells (1,000 lb - 5,000 lb)
- Hardened alloy steel

## Part Number/Price

| Part # | Description            | Price   |
|--------|------------------------|---------|
| 26112  | Load button insert kit | \$37.00 |



## Standard Features

- Replacement foot, adapts to most floor scales
- Use with single-ended beams to provide large, flat, adjustable introduction surface
- Special neoprene rubber sandwich base gives high accuracy, linearity and repeatability

## Part Number/Price

| Part # | Material        | Thread Size   | Base Ht. | Total Ht. | Diameter | Price    |
|--------|-----------------|---------------|----------|-----------|----------|----------|
| 18756  | Stainless steel | 1/2-20 UNF    | 0.75 in  | 2.62 in   | 3.47 in  | \$50.00  |
| 39021  | Mild steel      | 3/4-16 UNF-2B | 0.875 in | 3.25 in   | 4.40 in  | \$93.00  |
| 39022  | Mild steel      | 3/4-16 UNF-2B | 0.875 in | 4.06 in   | 5.40 in  | \$135.00 |
| 110930 | Mild steel      | 1-14 UNF      | 1.0 in   | 4.06 in   | 5.40 in  | \$235.00 |
| 42130  | Stainless steel | M12           | -        | 2.62 in   | 3.47 in  | \$103.00 |

# Flintec™ Adjustable Rubber Foot



SLB, SB4, SB5, SB14 and SB6



BK2

## Standard Features

- Blind hole introduction
- Low profile
- Height adjustable by rotation
- Includes spacer
- Stainless steel

## Part Number/Price

| Part #                                     | Foot Diameter | Load Cell Capacity | Price   |
|--|---------------|--------------------|---------|
| <b>Flintec SLB, SB4, SB5, SB14 and SB6</b> |               |                    |         |
| 46230                                      | 2.36 in       | 200 lb-500 lb      | \$65.00 |
| 77561                                      | 3.14 in       | 1,000 lb-5,000 lb  | \$65.00 |
| <b>Flintec BK2</b>                         |               |                    |         |
| 87096                                      | 3.140 in      | 200 kg-2,000 kg    | \$65.00 |

# Bench Scale Feet



107476



19141



35128

## Standard Features

- Rubber pad
- 1/4-20 UNC threads
- Stainless steel
- 3/8-16 UNC thread

## Part Number/Price

| Part #                 | Description       | Price   |
|------------------------|-------------------|---------|
| <b>Rubber Pad</b>      |                   |         |
| 35128                  | Bench scale feet  | \$14.00 |
| 107476                 | CW 90/CW 90X feet | \$21.00 |
| <b>Stainless Steel</b> |                   |         |
| 19141                  | Bench scale feet  | \$8.00  |

# Polyurethane Rubber Leveling Feet



## Standard Features

- 3 in overall height, all diameters
- Stainless steel stem for corrosion resistance
- Heavy-duty construction, low-cost replacement feet
- Four standard diameters all with 1/2-20 UNF SS stud, slotted for top-access applications
- Zinc plated carbon steel jam nut provided
- Top of stud is machined undersize 10 percent for easy alignment into load cell

## Part Number/Price

| Part # | Foot Diameter | Height | Price   |
|--------|---------------|--------|---------|
| 74585  | 1.87 in       | 3 in   | \$32.00 |
| 74586  | 2.00 in       | 3 in   | \$32.00 |
| 74587  | 2.50 in       | 3 in   | \$32.00 |
| 73801  | 3.00 in       | 3 in   | \$32.00 |

# Captured Ball Floor Scale Leveling Feet



Carbon

Stainless Steel

## Standard Features

### Carbon Steel

- Bright zinc and clear chromate plating for corrosion resistance
- Active ball suspension provides ideal load cell loading with maximum side load protection
- Hardened alloy steel with plated finish
- Includes two jam nuts, one for wrench access
- Top of stud is machined undersized 10 percent for easy alignment into load cell plus slotted for top-access applications

### Stainless steel

- Provides outstanding accuracy, repeatability and performance
- Active ball suspension provides optimum load cell performance
- Hardened stainless steel material, welded with polished finish
- Includes two stainless steel jam nuts, one for wrench access
- Top of stud is machined undersized 10 percent for easy alignment into load cell plus slotted for top-access applications

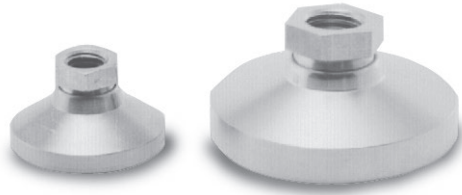
## Part Number/Price

| Part #                 | Foot Diameter | Thread Size Inches | Height  | Price    |
|------------------------|---------------|--------------------|---------|----------|
| <b>Carbon Steel</b>    |               |                    |         |          |
| 74578                  | 1.87 in       | 1/2-20 UNF         | 3.5 in  | \$45.00  |
| 74579                  | 2.00 in       | 1/2-20 UNF         | 3.5 in  | \$45.00  |
| 74580                  | 2.50 in       | 1/2-20 UNF         | 3.5 in  | \$45.00  |
| 74581                  | 3.00 in       | 1/2-20 UNF         | 3.5 in  | \$45.00  |
| 74582                  | 3.00 in       | 3/4-16 UNF         | 4.5 in  | \$56.00  |
| 74583                  | 3.00 in       | 1-12 UNF           | 4.5 in  | \$67.00  |
| 74584                  | 3.00 in       | 1-14 UNF           | 4.5 in  | \$67.00  |
| 171449                 | 3.00 in       | 1-14 UNF           | 5.0 in  | \$83.00  |
| 173018                 | 4.40 in       | 3/4-16 UNF         | 3.13 in | \$96.00  |
| 174937                 | 5.40 in       | 3/4-16 UNF         | 4.13 in | \$139.00 |
| <b>Stainless Steel</b> |               |                    |         |          |
| 74572                  | 1.87 in       | 1/2-20 UNF         | 3.5 in  | \$80.00  |
| 74573                  | 2.00 in       | 1/2-20 UNF         | 3.5 in  | \$80.00  |
| 73800                  | 2.50 in       | 1/2-20 UNF         | 3.5 in  | \$80.00  |
| 74574                  | 3.00 in       | 1/2-20 UNF         | 3.5 in  | \$61.00  |
| 74575                  | 3.00 in       | 3/4-16 UNF         | 4.5 in  | \$113.00 |
| 74576                  | 3.00 in       | 1-12 UNF           | 4.5 in  | \$136.00 |
| 74577                  | 3.00 in       | 1-14 UNF           | 4.5 in  | \$136.00 |
| 92380*                 | 2.50 in       | 1/2-20 UNF         | 3.5 in  | \$80.00  |
| 175615                 | 3.47 in       | 1/2-20NF           | 2.62 in | \$108.00 |

\*Stem is fully threaded



# Leveling Pads



## Standard Features

- Replacement feet adapt to most floor scales
- Available in cadmium-plated steel or stainless steel
- Simple swivel design
- Use with single-ended shear beams or bending beams to provide a large, flat load introduction surface

## Part Number/Price

| Part #                 | Thread Size | Height  | Diameter | Price    |
|------------------------|-------------|---------|----------|----------|
| <b>Mild Steel</b>      |             |         |          |          |
| 18817                  | 1/2-13 NC   | 1.12 in | 1.87 in  | \$27.00  |
| 18820                  | 3/4-10 NC   | 1.50 in | 3.00 in  | \$47.00  |
| <b>Stainless Steel</b> |             |         |          |          |
| 18818                  | 1/2-13 NC   | 1.12 in | 1.87 in  | \$63.00  |
| 18833                  | 3/4-10 NC   | 1.50 in | 3.00 in  | \$109.00 |

Used in conjunction with leveling pad stems

# Leveling Mount



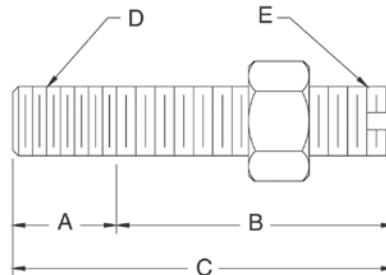
## Standard Features

- Designed for use with some floor scales or machinery platforms
- Can be used as a replacement foot on the SP floor scale to limit vibrations transmitted to the scale through the floor
- Provides vibration isolation on most portable platforms

## Part Number/Price

| Part # | Thread Size | Height  | Diameter | Price    |
|--------|-------------|---------|----------|----------|
| 18819  | 1/2-13 NC   | 1.81 in | 5.00 in  | \$106.00 |

# Leveling Pad Stems



## Standard Features

- For use with leveling pads
- One jam nut included

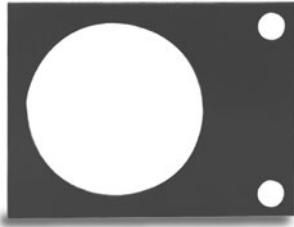
## Part Number/Price

| Part #                 | A       | B       | C       | D          | E          | Slot | Material | Price   |
|------------------------|---------|---------|---------|------------|------------|------|----------|---------|
| <b>Mild Steel</b>      |         |         |         |            |            |      |          |         |
| 17693                  | 0.75 in | 2.00 in | 2.75 in | 3/4-10 UNC | 3/4-16 UNF | NO   | 1045     | \$17.00 |
| <b>Stainless Steel</b> |         |         |         |            |            |      |          |         |
| 17689                  | 0.50 in | 1.50 in | 2.00 in | 1/2-13 UNC | 1/2-20 UNF | YES  | SS       | \$25.00 |
| 17695                  | 0.75 in | 2.00 in | 2.75 in | 3/4-10 UNC | 3/4-16 UNF | NO   | SS       | \$40.00 |

Warning: Do not use to suspend a load



# RoughDeck® Scale Base



## Part Number/Price

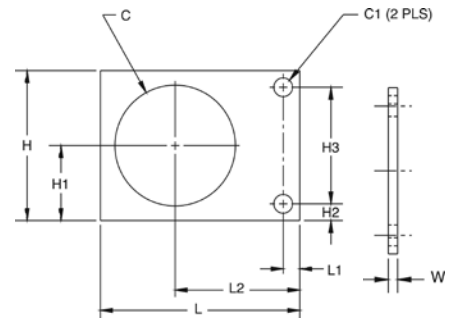
| Part # | Description                         | Price   |
|--------|-------------------------------------|---------|
| 19075  | Mild steel, 1,000 lb-10,000 lb      | \$19.00 |
| 19076  | Stainless steel, 1,000 lb-10,000 lb | \$24.00 |

## Dimensions

| Part # | C       | C1      | H       | H1      | H2      | H3      | L       | L1      | L2      | W       |
|--------|---------|---------|---------|---------|---------|---------|---------|---------|---------|---------|
| 19075  | 3.62 in | 0.56 in | 4.50 in | 2.25 in | 0.50 in | 3.50 in | 6.00 in | 0.50 in | 3.75 in | 0.25 in |
| 19076  | 3.62 in | 0.56 in | 4.50 in | 2.25 in | 0.50 in | 3.50 in | 6.00 in | 0.50 in | 3.75 in | 0.25 in |

## Standard Features

- Secures RoughDeck and other popular floor scales
- Prevents movement in horizontal plane
- Useful with SureFoot™ and other load cell foot assemblies
- Available in stainless steel and mild steel



# Summit® 3000 Scale Base



## Part Number/Price

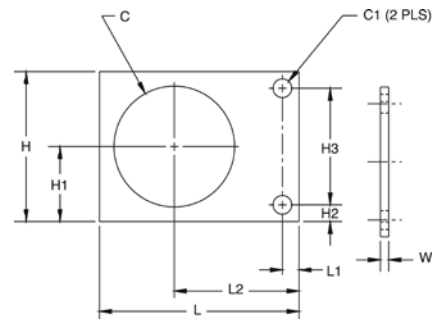
| Part # | Description                    | Price   |
|--------|--------------------------------|---------|
| 76149  | Mild steel, 2,000 lb-10,000 lb | \$19.00 |

## Dimensions

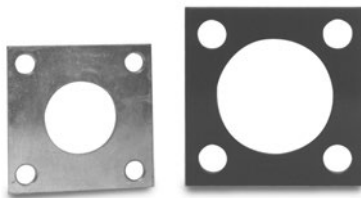
| Part # | C       | C1      | H       | H1      | H2      | H3      | L       | L1      | L2      | W       |
|--------|---------|---------|---------|---------|---------|---------|---------|---------|---------|---------|
| 76149  | 3.19 in | 0.56 in | 4.50 in | 2.25 in | 0.50 in | 3.50 in | 6.00 in | 0.50 in | 3.75 in | 0.25 in |

## Standard Features

- Mounting plate for Summit® 3000 floor scales
- Available in mild steel



# Floor Scale Base



## Part Number/Price

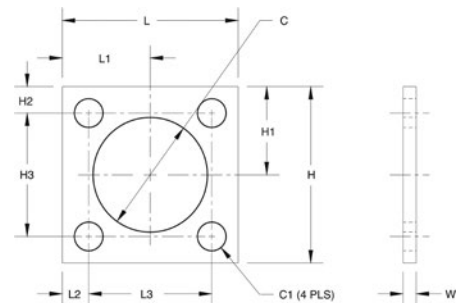
| Part # | Description                        | Price   |
|--------|------------------------------------|---------|
| 18737  | Mild steel, 1,000 lb-10,000 lb     | \$9.00  |
| 18738  | Mild steel 10,000 lb-20,000 lb     | \$10.00 |
| 18751  | Stainless steel 1,000 lb-10,000 lb | \$34.00 |

## Dimensions

| Part # | C       | C1      | H       | H1      | H2      | H3      | L       | L1      | L2      | L3      |
|--------|---------|---------|---------|---------|---------|---------|---------|---------|---------|---------|
| 18737  | 2.00 in | 0.53 in | 4.00 in | 2.00 in | 0.50 in | 3.00 in | 4.00 in | 2.00 in | 0.50 in | 3.00 in |
| 18738  | 3.25 in | 0.81 in | 5.00 in | 2.50 in | 0.75 in | 3.50 in | 5.00 in | 2.50 in | 0.75 in | 3.50 in |
| 18751  | 2.00 in | 0.53 in | 4.00 in | 2.00 in | 0.50 in | 3.00 in | 4.00 in | 2.00 in | 0.50 in | 3.00 in |

## Standard Features

- Suitable for use with leveling pads
- Generic mounting plate for popular floor scales
- Fits most floor scale foot assemblies
- Available in stainless steel and mild steel (mild steel parts are zinc plated/painted)



# Complete Custom Cable Services



## Standard Features

- Special cable requirements
- Custom-built cable designed specifically for your application
- Choose from design elements and Rice Lake Weighing Systems will build a cable to your specifications
- Quick turnaround
- Competitively priced
- 5,000 ft minimum purchase

## Specifications

### Jacket Material:

PVC  
Polyurethane  
Double-jacketed

### Conductors:

Unlimited number  
Twisted pairs  
Color code  
Gauge

### Shielding:

Braided  
Foil

### Jacket Colors:

Black, brown, green, orange, red, blue, yellow, gray, natural

### Ink Colors:

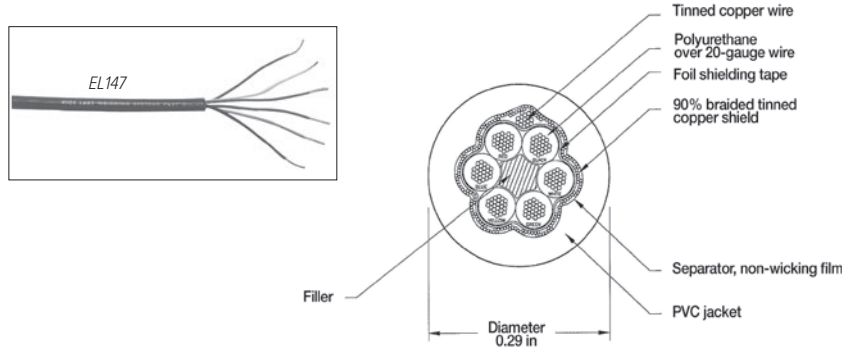
Black, white, silver, orange  
Custom logos

### Approvals:



# EL147, 6 Wire

Standard Load Cell Cable



## Standard Features

- Six-wire load cell cable
- 20 AWG tinned copper wire stranded for flexibility
- Braided shielding is encased in red PVC
- All conductors are industry-standard color coded
- Diameter: 0.29 in
- The six-wire cable is best suited for longer runs where remote sense lines can be used
- Temperature rating: -22°F to 126°F (-30°C to 80°C)
- Tinned copper overbraid provides superior rodent

## APPROVALS



## Part Number/Price

| Part # | Continuous Roll | Description         | Price      |
|--------|-----------------|---------------------|------------|
| 15515  | 100 ft          | Six-conductor cable | \$228.00   |
| 15516  | 250 ft          | Six-conductor cable | \$503.00   |
| 15517  | 500 ft          | Six-conductor cable | \$938.00   |
| 15518  | 1,000 ft        | Six-conductor cable | \$1,828.00 |
| 15495  | Custom length   | Six-conductor cable | \$2.28/ft  |

# EL147RP Plus, 6 Wire

Rodent Protection Load Cell Cable

Six-conductor polyurethane over 20 gauge stranded wire  
95% tinned copper overbraid



## Standard Features

- and abrasion deterrent
- Enhanced EMI/RFI protection
- Six-conductor industry-standard color code
- Ideal for truck and railroad-track scales
- Diameter: 0.33 in
- Temperature rating -22°F to 176°F (-30°C to 80°C)
- Jacket coating enhanced with a chemical coating "NAW" that is distasteful to rodents
- Designed for use in hostile environments
- Polyurethane jacketing provides superior

## Part Number/Price

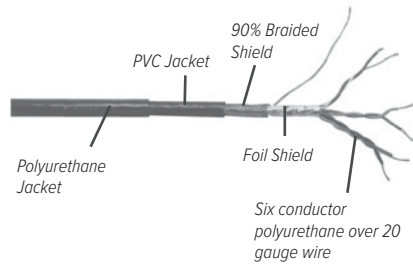
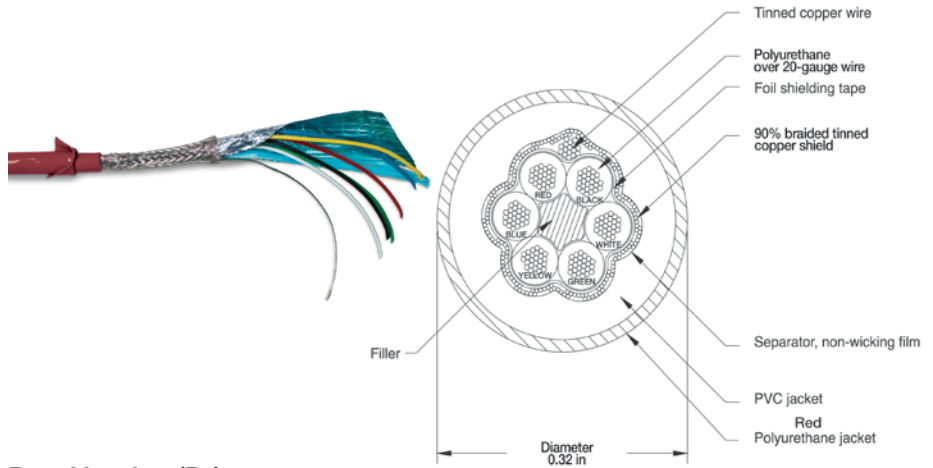
| Part # | Continuous Roll | Description                             | Price      |
|--------|-----------------|---|------------|
| 31475  | Custom length   | Six-conductor hostile environment cable | \$4.00/ft  |
| 131964 | 100 ft          | Six-conductor hostile environment cable | \$397.00   |
| 131965 | 250 ft          | Six-conductor hostile environment cable | \$917.00   |
| 131966 | 500 ft          | Six-conductor hostile environment cable | \$1,818.00 |
| 131967 | 1,000 ft        | Six-conductor hostile environment cable | \$3,524.00 |

# EL147HE, 6 Wire

## Hostile Environment Load Cell Cable

### Standard Features

- chemical and abrasion resistance
- RFI and EMI protected with foil over braid shield
- Unmatched durability, yet extremely flexible
- All conductors are industry-standard color coded
- Diameter: 0.32 in
- Temperature rating: -22°F to 176°F (-30°C to 80°C)
- 500 V rating
- Designed for intrinsically safe applications (must be wired according to Factory Mutual System-approved diagram)



### Part Number/Price

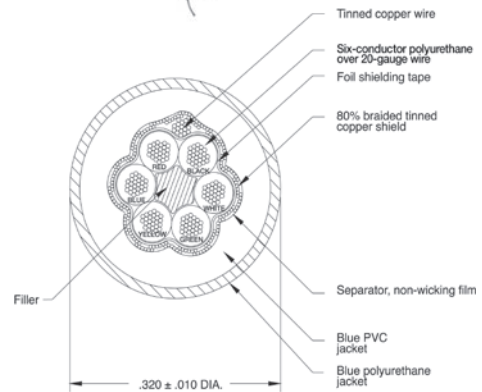
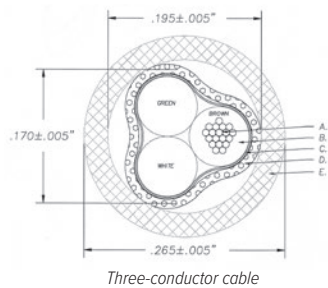
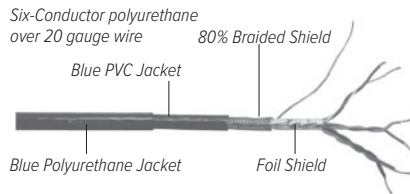
| Part # | Continuous Roll | Description                             | Price      |
|--------|-----------------|---|------------|
| 15520  | 100 ft          | Six-conductor hostile environment cable | \$265.00   |
| 15521  | 250 ft          | Six-conductor hostile environment cable | \$636.00   |
| 15522  | 500 ft          | Six-conductor hostile environment cable | \$1,182.00 |
| 15523  | 1,000 ft        | Six-conductor hostile environment cable | \$2,050.00 |
| 15496  | Custom length   | Six-conductor hostile environment cable | \$2.80/ft  |

# EL147IS, 6 Wire

## Hazardous Environment Blue Jacket Load Cell Cable

### Standard Features

- Polyurethane over PVC double jacketing provides superior chemical and abrasion resistance
- Both foil and braided wire shields for added RFI and EMI protection
- Six-conductor is industry-standard color coded (Also available three-conductor)
- Suited for longer runs where remote sense lines can be used
- Temperature rating: -22°F to 176°F (-30°C to 80°C)
- Diameter: 0.32 in

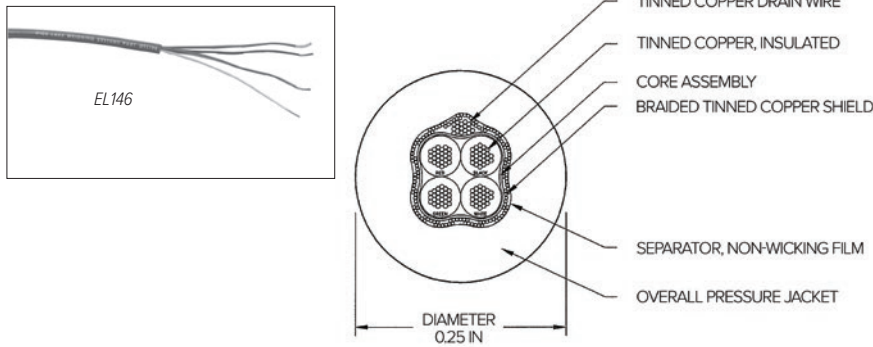


### Part Number/Price

| Part # | Description  | Price     |
|--------|--|-----------|
| 32817  | EL147IS, blue jacket six-conductor                           | \$3.34/ft |
| 72241  | Blue jacket, shielded three-conductor, UL and CSA recognized | \$2.65/ft |

# EL146, 4 Wire

Standard Load Cell Cable



## Part Number/Price

| Part # | Continuous Roll | Description          | Price      |
|--------|-----------------|----------------------|------------|
| 15505  | 100 ft          | Four-conductor cable | \$143.00   |
| 15506  | 250 ft          | Four-conductor cable | \$334.00   |
| 15507  | 500 ft          | Four-conductor cable | \$652.00   |
| 15508  | 1,000 ft        | Four-conductor cable | \$1,075.00 |
| 15493  | Custom length   | Four-conductor cable | \$1.55/ft  |

## Standard Features

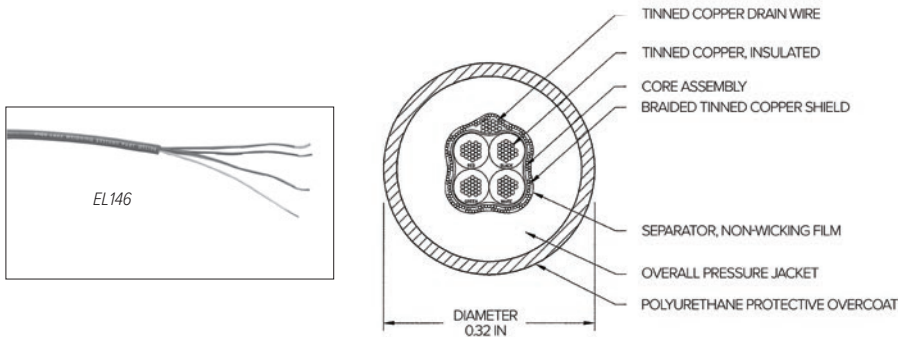
- 4-wire load cell cable
- 20 AWG tinned copper wire stranded for flexibility
- Braided shielding is encased in red PVC
- All conductors are industry-standard color coded
- Diameter: 0.25 in
- Use the four-wire cable for repairing or extending existing cable
- Temperature rating: -22°F to 126°F (-30°C to 80°C)
- Designed for use in hostile environments

## APPROVALS



# EL146HE, 4 Wire

Hostile Environment Load Cell Cable



## Part Number/Price

| Part # | Continuous Roll | Description                              | Price      |
|--------|-----------------|--|------------|
| 15510  | 100 ft          | Four-conductor hostile environment cable | \$175.00   |
| 15511  | 250 ft          | Four-conductor hostile environment cable | \$424.00   |
| 15512  | 500 ft          | Four-conductor hostile environment cable | \$805.00   |
| 15513  | 1,000 ft        | Four-conductor hostile environment cable | \$1,606.00 |
| 15494  | Custom Length   | Four-conductor hostile environment cable | \$1.96/ft  |

## Standard Features

- Polyurethane jacketing provides superior chemical and abrasion resistance
- RFI and EMI protected with foil over braid shield
- Unmatched durability, yet extremely flexible
- All conductors are industry-standard color coded
- Diameter: 0.32 in
- Temperature rating: -22°F to 176°F (-30°C to 80°C)
- 500 V rating

# EL144 Communications Cable

## Standard Features

- Two-conductor with bare ground
- RFI/EMI protected with foil shield
- 20 gauge conductors
- Perfect for RS-232, two-wire RS-485 and 20 mA current loop communications
- Diameter: 0.19 in



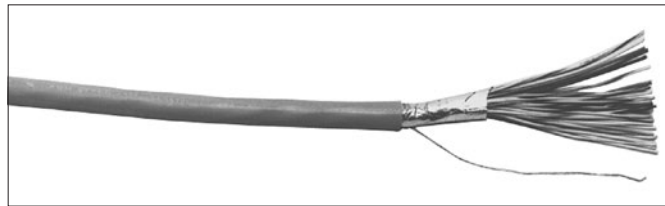
## Part Number/Price

| Part # | Description     | Price     |
|--------|-----------------|-----------|
| 32803  | EL144           | \$1.22/ft |
| 72691  | EL11, 100 ft    | \$90.00   |
| 72072  | EL144, 500 ft   | \$477.00  |
| 72693  | EL144, 1,000 ft | \$865.00  |

# BCD Cable

## Standard Features

- Sheathed in gray PVC
- Mylar aluminum foil shield with stranded tinned copper drain wire
- Diameter: 0.375 in



## Part Number/Price

| Part # | Description               | Price      |
|--------|---------------------------|------------|
| 15497  | BCD, 24 AWG, 30-conductor | \$29.00/ft |

# Fiber-Optic Cable



Color Code: Black-TXD, Blue-RXD

## Part Number/Price

| Part # | Description              | Price     |
|--------|--------------------------|-----------|
| 78910  | Custom length            | \$1.75/ft |
| 78026  | 100 ft cable             | \$175.00  |
| 78027  | 200 ft cable             | \$328.00  |
| 78028  | 300 ft cable             | \$425.00  |
| 83052* | Fiber-optic connector    | \$48.00   |
| 80892  | Fiber-optic cable cutter | \$12.00   |
| 85548  | Fiber-optic hot knife    | \$55.00   |

\*Duplex fiber cable requires two connectors

## Standard Features

- Duplex cable polyethylene black jacket material
- 4.4 + 0.10 mm outer diameter of duplex cable
- 2.2 + 0.007 mm single cable outer diameter
- Operating temperature: 32°F to 158°F (0°C to 70°C)

# SURVIVOR<sup>®</sup> EL620HE

High Temperature Cable



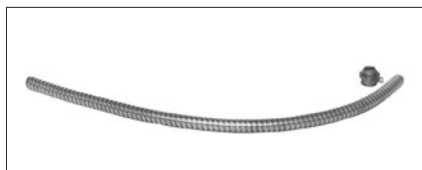
## Part Number/Price

| Part # | Description | Price      |
|--------|-------------|------------|
| 15605  | EL620HE     | \$13.00/ft |

## Standard Features

- Multi-conductor overall foil and braid shield
- Suitable for temperatures from -40°C (-40°F) to 200°C (392°F)
- Insulation thickness - 0.010 in
- Jacket thickness - 0.017 in
- 18 gauge, tinned copper conductors
- Six-wire or six-conductor
- PTFE jacket, resistant to chemical corrosion and high temperature
- Aluminum-polyester shield with 85% tinned copper braid shield
- 150 V NEC 725 Class 2 classified for use in an air plenum non-conduit
- 0.24 in diameter cable

# SURVIVOR<sup>®</sup> Cable Armor



## Part Number/Price

| Part # | Description          | Price       |
|--------|----------------------|-------------|
| 17808  | Galvanized steel     | \$4.50/ft   |
| 17806  | Stainless steel      | \$5.50/ft   |
| 17807  | Optional end fitting | \$2.65 each |

## Standard Features

- Flexible all-metal protective armor
- Ideal for protecting load cell cable from mechanical abrasion or rodents
- Available in stainless steel and galvanized steel
- 0.5 in internal diameter, 2.0 in minimum bend radius
- Optional end fitting with 1/2 in male pipe thread



# EL148HE Mettler Toledo®

Replacement Power Cell Cable



## Standard Features

- 100% stainless steel military connector-electro deposited nickel plating with stainless banding and epoxy heat-shrink strain relief
- Stainless steel artic ring precision cut for improved connection
- Textured rubber boot for additional grip
- Standard Mettler Toledo® color code
- Compatible with Mettler Toledo® Powercell CMOS/NMOS and MTX load cells. NOT compatible with Mettler Toledo PDX load cells
- Custom lengths available

## Part Number/Price

| Part # | Cable Length Each | Price    |
|--------|-------------------|----------|
| 100268 | 8 ft              | \$387.00 |
| 101102 | 12 ft             | \$397.00 |
| 104164 | 15 ft             | \$380.00 |
| 100269 | 26 ft             | \$419.00 |
| 100270 | 35 ft             | \$440.00 |

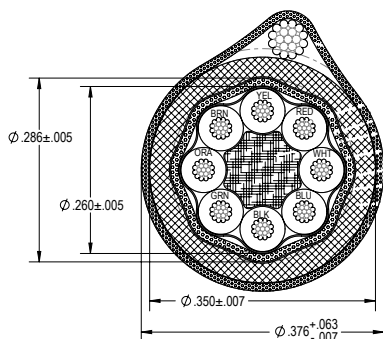
# Mettler Toledo® Power Cell®

Homerun Cable



## Standard Features

- Galvanized steel drain wire
- 20 gauge 8 conductors
- Stainless steel braid shield



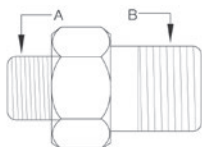
## Part Number/Price

| Part # | Description      | Price     |
|--------|------------------|-----------|
| 194837 | Galvanized steel | \$8.50/ft |

# Load Cell Conduit Adaptors

## Standard Features

- Used to adapt conduit to load cells
- 303 stainless steel



31534



31535



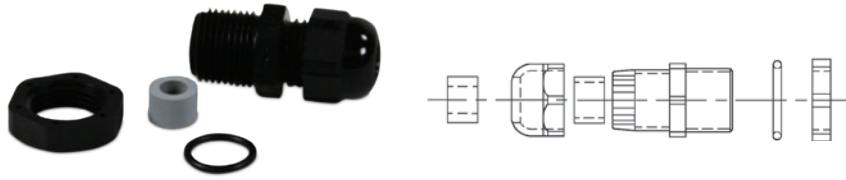
31533

## Part Number/Price

| Part #           | A          | B          | Price   |
|------------------|------------|------------|---------|
| <b>Thread-On</b> |            |            |         |
| 31533            | 3/8-24 UNF | —          | \$37.00 |
| 31534            | —          | 1/4-18 NPT | \$37.00 |
| 31535            | 5/8-18 UNF | 1/2-14 NPT | \$37.00 |

Note: 31533 and 31534 are used together to form male-to-male adaptor

# Cord Grip Assemblies



## Standard Features

- Assemblies include cord grip, locknut, "O"-ring seal, gray and black reducer glands
- Fittings are made of weather- and corrosion-resistant nylon

## Part Number/Price

| Gland Cable Ranges |         |                     |                   |                   |        |
|--------------------|---------|---------------------|-------------------|-------------------|--------|
| Part #             | Thread  | Panel Hole Diameter | Regular (Black)   | Reducer (Gray)    | Price  |
| 15669              | PCN9    | 0.625 in            | 0.157 in-0.314 in | 0.118 in-0.236 in | \$5.25 |
| 15670              | 3/8 NPT | 0.687 in            | 0.157 in-0.314 in | 0.118 in-0.236 in | \$4.75 |
| 15671              | 1/2 NPT | 0.844 in            | 0.236 in-0.472 in | 0.200 in-0.354 in | \$5.50 |

# EL214 Cable Splicing Kit



## Standard Features

- Designed for a complete, professional transducer cable splice
- Prevents moisture from entering the load cell through the cable connector
- Each kit contains a high-impact plastic splicing box, liquid-tight cable fittings, circuit card, PTFE sleeving, premeasured potting compound and complete instructions
- Solder terminals
- Designed to accommodate cables larger than the EL214; all other dimensions and

## Part Number/Price

| Part # | Description | Price    |
|--------|-------------|----------|
| 15485  | EL214       | \$143.00 |

## Specifications

### Dimensions:

(W x H x D)  
3.00 in x 1.00 in x 1.50 in

### Mounting Centers:

2.50 in

### Number of Connections:

7

### Cable Diameter:

0.187 - 0.312 in

### Cure Time For Potting:

Epoxy-Polyamide resin cures in 2 hours at 73°F (23°C)

# EL214T Cable Splicing Kit



## Standard Features

- performance features are the same
- Solder terminals

## Part Number/Price

| Part # | Description | Price    |
|--------|-------------|----------|
| 15486  | EL214T      | \$154.00 |

## Specifications

### Dimensions:

(W x H x D)  
3.00 in x 1.00 in x 1.50 in

### Mounting Centers:

2.50 in

### Number of Connections:

7

### Cable Diameter:

0.187 - 0.312 in

### Cure Time For Potting:

Epoxy-Polyamide resin cures in 2 hours at 73°F (23°C)

# EL215 Cable Splicing Kit



## Specifications

### Dimensions:

(W x L) 1.375 in x 6.0 in

### Number of Connections:

7

### Cable Diameter:

up to 0.75 in

### Cure Time For Potting:

2 hours at 70°F (21°C)

## Standard Features

- Designed for use in weather-exposed or direct-burial locations
- Each kit contains plastic splicing tube, circuit board, insulating resin and instructions
- Solder terminals

## Part Number/Price

| Part # | Description | Price    |
|--------|-------------|----------|
| 15612  | EL215       | \$116.00 |

# Flintec™ Load Cell Cable

Replacement Kits



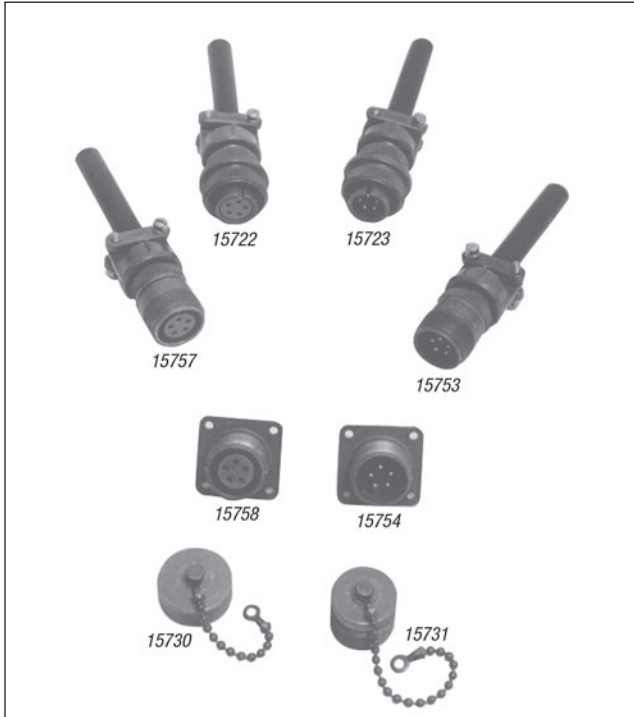
## Standard Features

- Each kit includes cable for four Flintec SB4 or UB1 load cells as listed

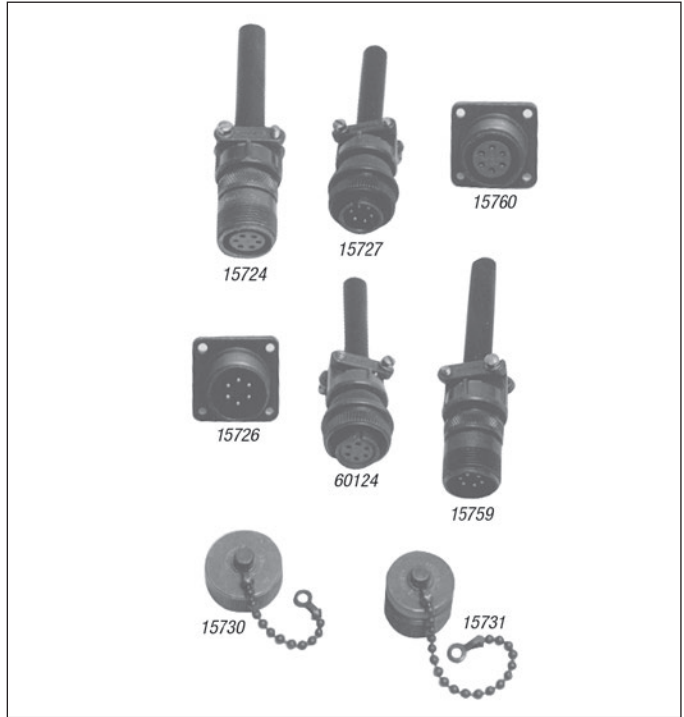
## Part Number/Price

| Part # | Description               | Cable Length Ea. Feet | Price    |
|--------|---------------------------|-----------------------|----------|
| 18412  | For SB4, 225-5,200 lb     | 10 ft                 | \$370.00 |
| 18413  | For SB4, 11,250-22,500 lb | 15 ft                 | \$397.00 |

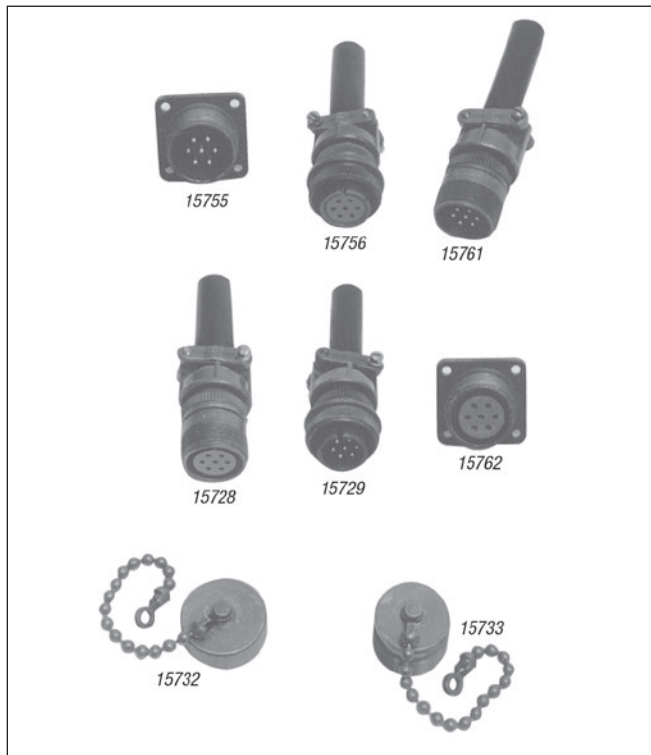
## Five-Position Connectors, Shell Plugs, Receptacles



## Six-Position Connectors, Shell Plugs, Receptacles



## Seven-Position Connectors, Shell Plugs, Receptacles



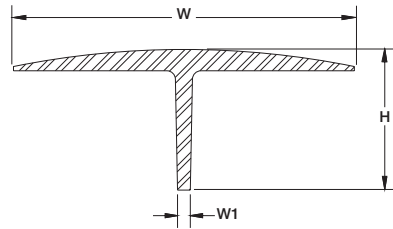
### Part Number/Price

| Part # | Description   | Price   |
|--------|---|---------|
| 15753  | Five-Pin, external thread   | \$32.00 |
| 15722  | Five-socket, internal thread  | \$33.00 |
| 15723  | Five-Pin, internal thread   | \$32.00 |
| 15757  | Five-socket, external thread  | \$37.00 |
| 15754  | Five-Pin chassis mount, external thread   | \$37.00 |
| 15758  | Five-socket chassis mount, external thread  | \$23.00 |
| 15730  | Dust cap for ext. thread five-position connector  | \$14.00 |
| 15731  | Dust cap for int. thread five-position connector  | \$19.00 |
| 15759  | Six-Pin, external thread, male  | \$32.00 |
| 60124  | Six-socket, internal thread connector, female fits Toledo load cells, Condec indicators | \$27.00 |
| 15727  | Six-Pin, internal thread, male  | \$31.00 |
| 15724  | Six-socket, external thread   | \$35.00 |
| 15726  | Six-Pin chassis mount, external thread  | \$24.00 |
| 15760  | Six-socket chassis mount, external thread   | \$23.00 |
| 15730  | Dust cap for ext. thread six-position connector   | \$14.00 |
| 15731  | Dust cap for int. thread six-position connector   | \$19.00 |
| 15761  | Seven-Pin, external thread  | \$33.00 |
| 15756  | Seven-socket, internal thread   | \$35.00 |
| 15729  | Seven-Pin, internal thread  | \$35.00 |
| 15728  | Seven-socket, external thread   | \$35.00 |
| 15755  | Seven-Pin chassis mount, external thread  | \$24.00 |
| 15762  | Seven-socket chassis mount, external thread   | \$27.00 |
| 15732  | Dust cap for ext. thread seven-position connector                                       | \$20.00 |
| 15733  | Dust cap for int. thread seven-position connector                                       | \$31.00 |

# T-Grip Molding

## Standard Features

- Designed for use in truck scale applications to prevent spillover into the pit
- Impact, tear and weather-resistant EPDM rubber
- Barbed web to hold molding in place
- Web thickness 0.22 in
- Available by the foot or 10 ft, 11 ft, 70 ft, 80 ft and 100 ft lengths
- Maximum continuous length is 450 ft



## Part Number/Price

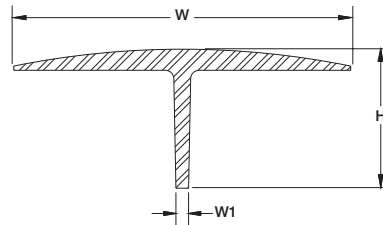
| Part # | H       | W       | W1      | Length           | Price      |
|--------|---------|---------|---------|------------------|------------|
| 18799  | 2.56 in | 5.75 in | 0.22 in | Sold by the foot | \$10.00/ft |
| 18800  | 2.56 in | 5.75 in | 0.22 in | 10 ft            | \$95.00    |
| 18801  | 2.56 in | 5.75 in | 0.22 in | 11 ft            | \$105.00   |
| 18802  | 2.56 in | 5.75 in | 0.22 in | 70 ft            | \$695.00   |
| 33219  | 2.56 in | 5.75 in | 0.22 in | 80 ft            | \$795.00   |
| 33222  | 2.56 in | 5.75 in | 0.22 in | 100 ft           | \$995.00   |

Note: Maximum continuous length is 450 ft. Call for price and availability.

# T-Strip Molding

## Standard Features

- Designed for use in truck scale applications to prevent spill-over into the pit
- Impact, tear and weather-resistant SBR rubber
- Web thickness 0.25 in
- Available by the foot or in-10 ft, 11 ft, 70 ft, 80 ft and 100 ft lengths
- Maximum continuous length is 450 ft.



## Part Number/Price

| Part # | H       | W       | W1      | Length           | Price     |
|--------|---------|---------|---------|------------------|-----------|
| 18736  | 2.00 in | 4.50 in | 0.25 in | Sold by the foot | \$9.00/ft |
| 18776  | 2.00 in | 4.50 in | 0.25 in | 10 ft            | \$90.00   |
| 18797  | 2.00 in | 4.50 in | 0.25 in | 11 ft            | \$99.00   |
| 18798  | 2.00 in | 4.50 in | 0.25 in | 70 ft            | \$630.00  |
| 33223  | 2.00 in | 4.50 in | 0.25 in | 80 ft            | \$720.00  |
| 33224  | 2.00 in | 4.50 in | 0.25 in | 100 ft           | \$895.00  |

Note: Maximum continuous length is 450 ft. Call for price and availability.

# Electronic Scale Tickets

## Standard Features

### Hecon® Printers, EL522 & EL516 - 20266

- Carbon triplicate interleaved
- Size (W x L): 4.25 in x 7.875 in (127 mm x 200 mm)
- Order quantity: 500 per package

20266

DATE \_\_\_\_\_ No. \_\_\_\_\_

SELLER \_\_\_\_\_  
BUYER \_\_\_\_\_

ADDRESS \_\_\_\_\_

CITY \_\_\_\_\_ STATE \_\_\_\_\_ ZIP \_\_\_\_\_

GROSS \_\_\_\_\_  
TARE \_\_\_\_\_  
NET \_\_\_\_\_

DRIVER ON  OFF  WEIGHED BY \_\_\_\_\_

FORM 510

## Standard Features

### SP2200, SP2000 - 20265

- Carbon triplicate interleaved, perforated and glued on one end
- Size (W x L): 5.5 in x 9 in (139.7 mm x 228.6 mm)
- Order quantity: 500 per package

### Rice Lake Scales - 71630 or 105182

20265

ELECTRONIC SCALE TICKET No. \_\_\_\_\_

DATE \_\_\_\_\_

SELLER \_\_\_\_\_  
BUYER \_\_\_\_\_

ADDRESS \_\_\_\_\_

CITY \_\_\_\_\_ STATE \_\_\_\_\_ ZIP \_\_\_\_\_

COMMODITY \_\_\_\_\_

PRICE \_\_\_\_\_

REMARKS \_\_\_\_\_

DRIVER  ON  OFF \_\_\_\_\_

WEIGHER \_\_\_\_\_

Form ES-4

## Standard Features

- Carbonless duplicate or triplicate
- Size (W x L): 4.25 in x 7 in (107 mm x 177.8 mm) attached at 4.25 side
- Order quantity: 500 per package
- Custom (Duplicate): Add company name (min. order two packs)
- Custom (Triplicate): Add company name (min. order two packs)

### Blank Scale Ticket - 22263

Customer Name: \_\_\_\_\_

Driver On p \_\_\_\_\_  
Driver Off p \_\_\_\_\_

Customer Signature: \_\_\_\_\_

RICE LAKE  
SCALE TICKETS

## Standard Features

- 3-part carbonless
- White, canary yellow and pink
- Size (W x L): 4.25 in x 5.5 in (108 mm x 140 mm)
- Attached at 4.25 edge
- Custom: Add company name (min. order of 1,000)

## Part Number/Price

| Part # | Description   | Price       |
|--------|---|-------------|
| 20266  | Hecon printers, EL522 & EL516, 500/pack                           | \$110.40    |
| 20265  | SP2200, SP2000, EL250 & EL500, 500/pack                           | \$114.00    |
| 71630  | Rice Lake ticket, two part, 500/pack                              | \$60.00     |
| 105182 | Rice Lake ticket, three part, 500/pack white, canary yellow, pink | \$86.50     |
| 22263  | Blank scale ticket, each  | \$0.25 each |





# Printer Dust Covers



## Standard Features

- Tough, flexible transparent vinyl, constructed with heavy-duty stitching
- Loose fit allows for operation of switches or controls through the dust cover
- Available for most types of scale equipment

Protect your electronic scales, weight indicators and printers with a dust cover. Reduce costly repairs and downtime due to moisture penetrating through instrument enclosures during cleanup or operation.

## Part Number/Price

| Part #           | Model                      | Price   |
|------------------|----------------------------|---------|
| <b>EPSON®</b>    |                            |         |
| <b>29582</b>     | TM290/295                  | \$58.00 |
| <b>35666</b>     | TM-U200 TM-U220            | \$63.00 |
| <b>111840</b>    | TM-U590                    | \$69.00 |
| <b>Oki-Data®</b> |                            |         |
| <b>21208</b>     | Oki-Data 184 Turbo Printer | \$69.00 |
| <b>21226</b>     | Oki-Data 320/390           | \$69.00 |

*Custom covers and specials available; consult factory.*

# Printer Cables



156809 (1m)  
156811 (3m)  
156815 (5m)



156817 (1m)  
156818 (3m)  
156821 (5m)



156806 (1m)  
156807 (3m)  
156808 (5m)



## Part Number/Price

| Part #  | Description   | Price   |
|---|---|---------|
| <b>Interface Cables for TicketPress, SP-2200, TM-U295, TM-U590 and Star® Printers</b> |   |         |
| 15547   | Blunt end, 25-pin D-sub male RS-232 serial interface cable                        | \$70.00 |
| 15548   | 25-pin D-sub male to 25-pin D-sub male 20 mA serial interface cable (SP2200 only) | \$70.00 |
| 15568   | 25-pin D-sub male to 25-pin D-sub male RS-232 serial interface cable              | \$70.00 |
| Consult   | Custom 20 mA/RS-232 serial interface cable  | \$95.00 |
| <b>Interface Cables for I-Class</b>   |   |         |
| 15547   | Blunt end, 25-pin D-sub male RS-232 serial interface cable                        | \$70.00 |
| Consult   | Custom RS-232 interface cable   | \$95.00 |
| <b>Interface Cables for Desktops, GoDEX Models, Zebra, E-4203 and M-4206</b>          |   |         |
| 41276   | DB9 male RS-232 cable to blunt end  | \$70.00 |
| <b>Straight Cable</b>   |   |         |
| 70056   | DB9 male to DB9 female  | \$40.00 |
| 50749   | DB9 female to DB9 female  | \$60.00 |
| 41279   | DB25 male to DB9 male   | \$70.00 |
| 72440   | DB25 male to DB9 female   | \$67.00 |
| <b>Null Modem Cable</b>   |   |         |
| 66535   | DB9F to DB9 female, Null modem  | \$46.00 |
| 64794   | DB9 male to DB9 female  | \$69.00 |
| <b>USB Cable</b>  |   |         |
| 79074   | USB-A (male) to USB-B (male) cable, 6 ft  | \$35.00 |
| 153603  | USB to nine-pin male RS-232 adapter   | \$96.00 |
| 156806  | USB-A (male) to USB-A (male) cable, 1 m   | \$35.00 |
| 156807  | USB-A (male) to USB-A (male) cable, 3 m   | \$50.00 |
| 156808  | USB-A (male) to USB-A (male) cable, 5 m   | \$60.00 |
| 156809  | USB-A (male) to USB-B (male) cable, 1 m   | \$55.00 |
| 156815  | USB-A (male) to USB-B (male) cable, 3 m   | \$55.00 |
| 156811  | USB-A (male) to USB-B (male) cable, 5 m   | \$70.00 |
| <b>Ethernet Cable/RJ45</b>  |   |         |
| 72697   | RJ45 to RJ45, 7 ft  | \$40.00 |
| 78860   | RJ45 to RJ45, cross over 7 ft   | \$40.00 |
| 75594   | RJ45 to nine-pin female   | \$70.00 |
| 156817  | RJ45, 1 m   | \$35.00 |
| 156818  | RJ45, 3 m   | \$42.00 |
| 156821  | RJ45, 5 m   | \$50.00 |
| <b>Misc. Cables and Adapters</b>  |   |         |
| 22436   | Blunt end, nine-pin D-sub female  | \$67.00 |
| 130213  | Blunt end DB25 male   | \$58.00 |
| 165698  | Female to male gender changer   | \$11.25 |
| 119064  | Stimline, Null modem gender changer, DB9 female/female                            | \$11.00 |
| 130789  | Null modem DB9 M/F  | \$13.00 |

Blunt-end cables interface to: UMC444, UMC555, UMC600, IQ700, IQ plus® 310A, IQ plus® 355, IQ plus® 390-DC, IQ plus® 510, IQ plus® 590-DC, IQ plus® 710, IQ plus® 800, and IQ plus® 810, 520 and 920i®

Custom cables are designed to interface with your specific equipment. Please specify equipment model number and connector type. Standard cable length is 5 ft.

# Static Brushes



| Part # | Staticmaster Part # | Description           | Price    |
|--------|---------------------|-----------------------|----------|
| 76669  | 1C200               | Static brush 1 in     | \$140.00 |
| 76670  | 1C200R              | Replacement cartridge | \$90.00  |

# Static Brushes



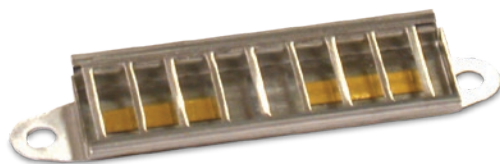
| Part # | Staticmaster Part # | Description           | Price    |
|--------|---------------------|-----------------------|----------|
| 76671  | 3C500               | Static brush 3 in     | \$210.00 |
| 76672  | 3C500R              | Replacement cartridge | \$145.00 |

# Ionizing Strips



| Part # | Staticmaster Part # | Description               | Price    |
|--------|---------------------|---------------------------|----------|
| 76677  | 1U400               | Ionizing unit 1 in x 1 in | \$145.00 |
| 76678  | 1U200               | Ionizing unit 1 in x 1 in | \$90.00  |
| 76676  | 2U500               | Ionizing unit 1 in x 3 in | \$145.00 |

# Ionizing Strip Accessories



| Part # | Staticmaster Part # | Description                         | Price    |
|--------|---------------------|-------------------------------------|----------|
| 76679  | BF1                 | Ionizer positioner                  | \$73.00  |
| 76680  | BF2                 | Ionizer positioner only - C bracket | \$105.00 |

# Desiccants

## Standard Features

- Packets
- Bagged desiccants to protect your enclosed electronic components from moisture and humidity
- Useful in junction boxes, indicators and all scale electronics



## Part Number/Price

| Part # | Description               | Price  |
|--------|---------------------------|--------|
| 16038  | Mini Pax® 7 g             | \$1.22 |
| 16039  | NatraSorb® 20g            | \$2.23 |
| 92240  | Silica gel 1 unit pkg 3 g | \$1.17 |

# Industrial Corrosion Inhibitor

## Standard Features

- Special chemical combination provides superior protection
- Protects 5 cubic feet/1.4 cubic meters of enclosure volume for approximately one year
- Dimensions: (W x H) 2.5 in x 1.5 in (63.5 mm x 38.1 mm)



## Part Number/Price

| Part # | Description         | Price   |
|--------|---------------------|---------|
| 16037  | Corrosion inhibitor | \$42.00 |

# Crimper and Lead Seals

## Standard Features

### Crimper

- 5 in (127 mm) seal press with two 0.5 in (12.7 mm) engraving dies
- Chrome finish
- Maximum number of characters that can be engraved on die is 9
- Compound leverage
- Quick delivery on custom dies

### Lead Seals

- Heavy-duty seal with galvanized steel wire
- Length 16 in (406 mm)



## Part Number/Price

| Part # | Description                      | Price    |
|--------|----------------------------------|----------|
| 21111  | Crimper and two die blanks       | \$148.00 |
| 15318  | Crimper die blank (replacements) | \$64.00  |
| 15317  | 100 seals/pkg                    | \$53.00  |

# Static Control Table Mat and Floor Mat



An absolute must for every workbench, this kit includes a 3-layer 2 ft x 4 ft table mat, 4 ft x 6 ft floor mat, ground cord and adjustable wrist strap. Designed specifically for energized circuit work, the static control table and floor mat provide superior protection against ESD.

## Part Number/Price

| Part # | Description                            | Price    |
|--------|--|----------|
| 34265  | Static control table mat and floor mat | \$900.00 |

# Static Control Wrist Strap



The single most important personal accessory for protecting ESD sensitive components and circuits, this wrist strap protects against charges from the body. The wrist strap consists of a comfortable elastic cuff or band and a detachable conductive cord for grounding the wrist band.

## Part Number/Price

| Part # | Description                | Price   |
|--------|----------------------------|---------|
| 34263  | Static control wrist strap | \$58.00 |

# Static Shielding Bags



This static shield bag offers total ESD protection, whether you're transporting ESD-susceptible products across the room or across the country. The outer layer of the bag consists of an abrasion-resistant polyester, while the antistatic polyethylene inner layer retards triboelectric static charging from inside the bag.

## Part Number/Price

| Part # | Description                          | Price       |
|--------|--------------------------------------|-------------|
| 16150  | Static shielding bags, 8 in x 10 in  | \$1.17 each |
| 16151  | Static shielding bags, 12 in x 18 in | \$3.45 each |

# Static-Safe Service Kit

## Standard Features

- Eliminates static for safe board replacement
- Connects a field service technician and the static-safe work surface to the same ground point
- Harmlessly drains static charges from the body and from any conductive objects placed on the mat
- Folds into a compact unit for transport and storage



## Part Number/Price

| Part # | Description             | Price    |
|--------|-------------------------|----------|
| 32818  | Static-safe service kit | \$206.00 |

# Rice Lake's Scale Technician Kits

Take Rice Lake's commitment to customer service into the field. Rice Lake's Scale Technician Kit has everything you need in one convenient backpack to troubleshoot and repair wherever you are.

## PN 166205 Technician Tool Kit \$1,050.00

- Rice Lake backpack
- Simulator with vernier
- Digital volt meter
- Communication Kit



## PN 166204 Communication Kit \$135.00

- Cinch sack
- Document Kit
- Six-in-one screwdriver
- Small RLWS screwdriver
- Test LEDs
- USB to serial converter
- DB9M to DB9F straight cable
- DB9F to blunt end cable
- DB25M to blunt end cable
- Female to female DB9 null modem adaptor
- Female to male DB9 gender changers
- Null modem adaptor
- TCP/IP patch cable
- TCP/IP crossover cable



## PN 166203 Document Kit \$10.50

- Pinouts for a DB9 and DB25 cable shows both male and female connectors
- Pinouts and color codes for a patch and crossover Ethernet cable
- Recommended maximum cabling distances of RS-232, 20mA, 485 and Ethernet TCP/IP
- Standard ASCII chart in both decimal and hexadecimal
- Links to website to download latest version of Revolution® and iRev® (on CD)
- Link to freeware terminal program download (PUTTY, Hercules, RealTerm. etc.)
- Load cell color wire chart
- Weigh Modules and Vessel Weighing Handbook PN 43918
- Load Cell and Weigh Module Handbook PN 22054



## PN 118432 Small Screwdriver \$3.00

