

VPG Celtron

TABLE OF CONTENTS

S-BEAMS

Page 223

STC, LOW-CAPACITY, ALLOY STEEL



Ideally suited for batching and filling, conveyor and hopper/tank weighing. Nickel plated, high-alloy steel construction. Capacities range from 50 lb to 200 lb. Complete with 20 ft of load cell cable.



Page 224

STC, ALLOY STEEL



Ideally suited for batching, filling and hopper/tank weighing. Nickel plated, alloy steel construction. Capacities range from 250 lb to 40,000 lb. Complete with 20 ft of load cell cable.



Page 225

STC SS, STAINLESS STEEL



The VPG® Celtron STC has been a popular industry s-beam for some time, and for the first time is available in a stainless steel version. This high-quality product is ideal for tension applications, and provides the additional protection of being manufactured from stainless steel. Capacities range from 250 lb to 10,000 lb. Each unit is provided with a standard 20 ft of load cell cable.



Page 226

STC-HSS, STAINLESS STEEL



The VPG® Celtron STC HSS provides upgraded protection to the standard environmentally sealed s-beam for dry, but dirty suspended tank, hopper and mechanical replacement applications. An economical alternative to fully stainless, welded s-beams, the STC HSS provides a mid-range solution where none previously existed. Available in capacities ranging from 500 lb to 10,000 lb. Each unit includes 20 ft of standard load cell cable.

SINGLE-ENDED BEAMS

Page 227

SQB, ALLOY STEEL



Single-ended beam designed for low-profile scales and platform, hopper and tank weighing applications. NTEP Certified cells in capacities from 1,000 lb to 10,000 lb; Non-NTEP Certified cells in 500 lb, 15,000 lb and 20,000 lb capacities. Complete with 20 ft of load cell cable.



Page 228

SQB-HSS, STAINLESS STEEL



The VPG® Celtron SQB-HSS stainless steel, welded-seal, single-ended beam is a precision load cell offering exceptional performance and reliability in hostile environment applications typical of food and chemical processing. Designed for single or multiple load cell installations, the SQB-HSS is provided with a threaded load hole for easy adaptation of mounting hardware or leveling feet typical of floor scales. Capacities range from 1,000 lb to 10,000 lb. Complete with 20 ft of load cell cable.



Page 229

MBB, ALLOY STEEL



Ultra-small load cell designed for bench, platform, tank and conveyor weighing applications. Nickel plated and environmentally protected with a stainless steel side plate. Capacities range from 50 lb to 250 lb. Complete with 5 ft of load cell cable.



VPG Celtron

SINGLE-ENDED BEAMS

Page 230

SEB, ALLOY STEEL



The VPG® Celtron SEB is a single-ended beam designed for various scale and process weighing applications. This unit is manufactured from high-alloy steel that has been nickel plated to ensure an IP67 rating. The product is OIML approved and has metric envelope capacities ranging from 500 kg to 2.5 t. Each unit is provided with 20 ft of standard load cell cable to deliver an accurate yet economical package.



DOUBLE-ENDED BEAMS

Page 231

DSR, ALLOY STEEL



Double-ended beam with center loading. Designed for tank, hopper and silo applications. Capacities range from 1,000 lb to 75,000 lb. Complete with 25 ft of load cell cable.



Page 232

MDB, ALLOY STEEL



The VPG® Celtron MDB is a unique, compact style of load cell and mount assembly that is popular in many parts of the world for use in truck scales. The load cell is a double-ended shear beam for long life and includes ball and cups. Capacities range from 10t to 50t.



All capacities include cup and ball.

Page 233

CLB, ALLOY STEEL



The VPG® Celtron CLB is an alloy steel, nickel-plated, double-ended beam that is ideal for applications in truck, track, tank and hopper applications. This product is of the center-loaded design, and is compatible with both the MVS and TSA mounting assemblies. Available in capacities ranging from 20,000 lb to 125,000 lb, with all units being provided with 35 ft of load cell cable.



SINGLE POINTS

Page 234

LPS, ALUMINUM



The LPS is the lightest model of VPG® Celtron single-point load cell family. The design is most suitable for mass production operations. LPS is constructed of anodized aluminum and is fully potted IP65 levels, providing excellent protection against moisture ingress.



Page 235

LOC, ALUMINUM, HEAVY CAPACITY



Low-profile, off-center loading load cell. Designed for direct mounting of a weighing platform and hanging scales. Long-term stability and durability are maintained. Capacities range from 100 kg to 500 kg. Complete with 3.1 m of load cell cable.



COMPRESSION CANISTERS

Page 236

LCD, ALLOY STEEL



Environmentally protected, low-profile compression disk. 5,000 lb and 10,000 lb models can also be used in tension-loading applications. The shear web design provides excellent performance and a low-profile feature makes it ideal for applications where height is critical. Capacities range from 5,000 lb to 100,000 lb. Complete with 50 ft of load cell cable.



Interchangeable Products

RICE LAKE WEIGHING SYSTEMS
RL20000I.....page 128

Weigh Module Available

RICE LAKE WEIGHING SYSTEMS
ITCM-Isolated Tension Cell
Mount.....page 44

Specifications

Full Scale Output:
3.0 mV/V (50 lb capacity, 2.0 mV/V)

Output Resistance:
350 (± 3) ohm

Input Resistance:
385 (± 5) ohm

Material/Finish:
High-alloy steel, nickel plated

Temperature:
Operating range
0° F to 150° F (-18° C to 65° C)

Seal Type:
Environmentally sealed, IP67

Safe Overload:
150% full scale

Rated Excitation:
5- 10 VDC (15 V maximum)

Nonlinearity:
0.03% full scale

Hysteresis:
0.02% full scale

Insulation Resistance:
5,000 megohms

Cable Length:
20 ft

Cable Diameter:
0.200 in polyurethane jacket

Cable Color Code:
Red +Excitation
Black -Excitation
Green +Signal
White -Signal

Warranty:
One-year limited warranty

Approvals:
cFMus



APPROVALS



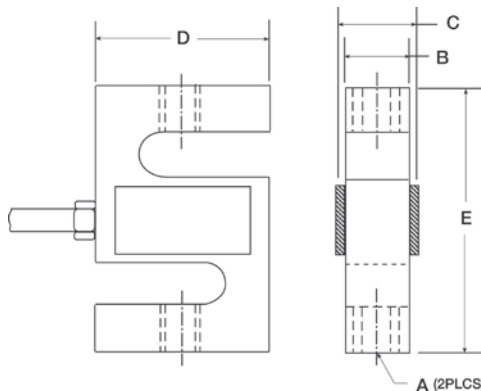
Dimensions

Picture is a representation of actual product

Rated Capacity	A	B	C	D	E
lb/in					
50-200	1/4-28 UNF	0.50	1.05	2.00	2.50

Order Information

Load Rating	Part #	Est. Weight	Price
50 lb	30044	2 lb	\$185.00
100 lb	30045	2 lb	\$185.00
150 lb	30046	2 lb	\$185.00
200 lb	35787	2 lb	\$185.00



S-BEAM
STC

Alloy Steel, Environmentally Sealed, NTEP Certified 1:5,000 III/1:10,000 IIIL Single Cell, IP67

VPG CELTRON



APPROVALS



Interchangeable Products

- RICE LAKE WEIGHING SYSTEMS
RL20001I.....page 131
- VPG® SENSORTRONICS
60001.....page 311

Weigh Module Available

- RICE LAKE WEIGHING SYSTEMS
ITCM-Isolated Tension Cell Mount.....page 44

Dimensions

Picture is a representation of actual product

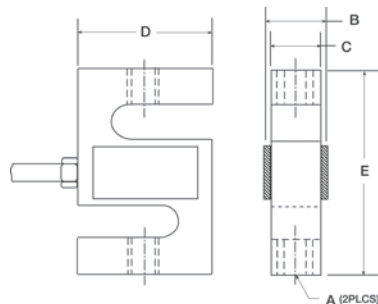
Rated Capacity	A	B	C	D	E
lb/in					
250	3/8-24 UNF	0.75	0.50	2.00	3.00
500-1,500	1/2-20 UNF	1.00	0.75	2.00	3.00
2,000-3,000	1/2-20 UNF	1.25	1.00	2.00	3.00
5,000	3/4-16 UNF	1.25	1.00	3.00	4.25
10,000	3/4-16 UNF	1.25	1.00	3.50	4.75
15,000	1-14 UNS	1.50	1.25	4.00	5.50
20,000	1 1/4-12 UNF	2.19	2.00	5.00	7.00
40,000	1 1/2-12 UNF	2.75	2.50	6.00	10.00

Order Information

Load Rating	Part #	Est. Weight	Price
NTEP Certified			
250 lb	30047	2 lb	\$195.00
500 lb	30051	2 lb	\$195.00
750 lb	30054	2 lb	\$195.00
1,000 lb	30067	2 lb	\$195.00
1,500 lb	30069	2 lb	\$195.00
2,000 lb	30072	3 lb	\$195.00
2,500 lb	30073	3 lb	\$195.00
3,000 lb	30074	3 lb	\$265.00
5,000 lb	30076	3 lb	\$375.00
10,000 lb	30077	5 lb	\$375.00
15,000 lb	30078	9 lb	\$475.00
20,000 lb	30079	17 lb	\$775.00
Non-NTEP Certified			
40,000 lb	46674	39 lb	\$955.00

Special Load Cells

Load Rating	Part #	Est. Weight	Price
30 ft Cable Matched Outputs			
3,000 lb	67882	3 lb	\$288.00
5,000 lb	67881	4 lb	\$525.00
20,000 lb	67883	17 lb	\$865.00



Specifications

- Full Scale Output:**
3.0 mV/V nominal
- Output Resistance:**
350 (± 3) ohm
- Input Resistance:**
385 (± 5) ohm
- Material/Finish:**
High-alloy steel, nickel plated
- Temperature:**
Compensated range
14°F to 104°F (-10°C to 40°C)
Operating range
0° F to 150° F (-18° C to 65° C)
- Seal Type:**
Environmentally sealed, IP67
- Safe Overload:**
150% full scale
- Rated Excitation:**
5-10 VDC (15 V maximum)
- Non-Repeatability:**
0.01% full scale
- Combined Error:**
0.02% full scale
- Insulation Resistance:**
5,000 megohms
- Cable Length:**
20 ft
- Cable Diameter:**
250-20,000 lb=0.200 in
40,000 lb=0.305 in
polyurethane jacket
- Cable Color Code:**
Red +Excitation
Black -Excitation
Green +Signal
White -Signal
- Warranty:**
One-year limited warranty
- Approvals:**
cFMus
NTEP

www.ricelake.com | Phone: 800-472-6703



Interchangeable Products

VPG® SENSORTRONICS
60050 page 312

Specifications

- Full Scale Output:**
3.0 mV/V nominal
- Output Resistance:**
350 (± 3) ohm
- Input Resistance:**
385 (± 5) ohm
- Material/Finish:**
Stainless steel
- Temperature:**
Operating range
0° F to 150° F (-18° C to 65° C)
- Seal Type:**
Environmentally sealed, IP67
- Safe Overload:**
150% full scale
- Rated Excitation:**
5- 10 VDC (15 V maximum)
- Nonlinearity:**
0.03% full scale
- Hysteresis:**
0.02% full scale
- Insulation Resistance:**
5,000 megohms
- Cable Length:**
20 ft
- Cable Diameter:**
0.200 in polyurethane jacket
- Cable Color Code:**
Red +Excitation
Black -Excitation
Green +Signal
White -Signal
- Warranty:**
One-year limited warranty
- Approvals:**
cFMus



APPROVALS



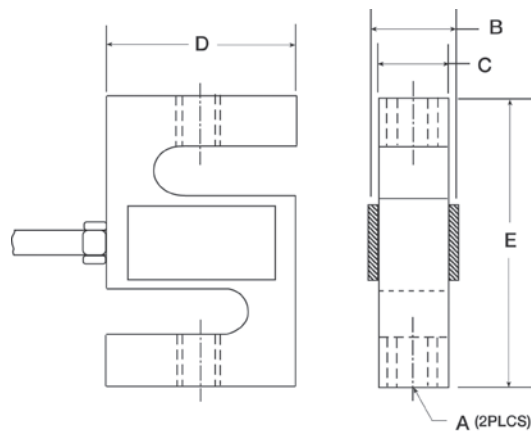
Dimensions

Picture is a representation of actual product

Rated Capacity	A	B	C	D	E
lb/in					
250	3/8-24 UNF	0.75	0.50	2.00	3.00
500-1,500	1/2-20 UNF	1.00	0.75	2.00	3.00
2,000-3,000	1/2-20 UNF	1.25	1.00	2.00	3.00
5,000	3/4-16 UNF	1.25	1.00	3.00	4.25
10,000	3/4-16 UNF	1.25	1.00	3.50	4.25

Order Information

Load Rating	Part #	Est. Weight	Price
250 lb	46659	2 lb	\$312.00
500 lb	46661	2 lb	\$312.00
750 lb	46662	2 lb	\$312.00
1,000 lb	46663	2 lb	\$312.00
1,500 lb	46664	2 lb	\$312.00
2,000 lb	46665	2 lb	\$312.00
2,500 lb	46666	3 lb	\$335.00
3,000 lb	46667	2 lb	\$335.00
5,000 lb	46668	4 lb	\$470.00
10,000 lb	46669	4 lb	\$480.00





Weigh Module Available

RICE LAKE WEIGHING SYSTEMS
ITCM-Isolated Tension Cell Mount.....page 44

Dimensions

Picture is a representation of actual product

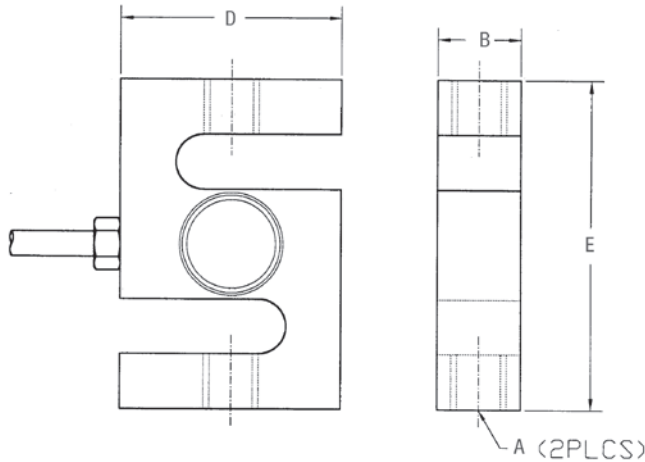
Rated Capacity	A	B	D	E
lb/in				
500-3,000	1/2-20 UNF	1.00	2.00	2.97
5,000-10,000	3/4-16 UNF	1.00	3.00	4.25

Order Information

Load Rating	Part #	Est. Weight	Price
500 lb	69326	2 lb	\$493.00
750 lb	69327	2 lb	\$493.00
1,000 lb	69328	2 lb	\$493.00
1,500 lb	69329	2 lb	\$493.00
2,000 lb	69330	2 lb	\$493.00
2,500 lb	69331	2 lb	\$493.00
3,000 lb	69332	2 lb	\$525.00
5,000 lb	69333	4 lb	\$736.00
10,000 lb	69334	4 lb	\$736.00

Specifications

- Full Scale Output:**
2.0 mV/V
- Output Resistance:**
350 (± 3) ohm
- Input Resistance:**
385 (± 5) ohm
- Material/Finish:**
Stainless steel
- Temperature:**
Operating range
0° F to 150° F (-18° C to 65° C)
- Seal Type:**
Welded-seal, IP67
- Safe Overload:**
150% full scale
- Rated Excitation:**
5- 10 VDC (15 V maximum)
- Combined Error:**
0.05%
- Insulation Resistance:**
5,000 megohms
- Cable Length:**
20 ft
- Cable Diameter:**
0.200 in polyurethane jacket
- Cable Color Code:**
Red +Excitation
Black -Excitation
Green +Signal
White -Signal
- Warranty:**
One-year limited warranty



Interchangeable Products

VPG® SENSORTRONICS
65023A..... page 317

Weigh Module Available

RICE LAKE WEIGHING SYSTEMS
RL50210TA..... page 50
RICE LAKE WEIGHING SYSTEMS
RL1800 Series..... page 62



APPROVALS



Dimensions

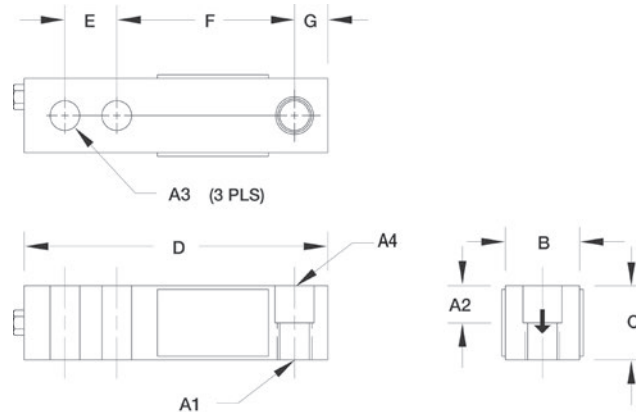
Picture is a representation of actual product

Rated Capacity	A4	A2	A3	A1	B	C	D	E	F	G
lb/in										
500	0.53 dia	0.50	0.53	1/2-20 UNF	1.25	1.00	5.12	1.00	3.00	0.50
1,000-5,000 SE	0.53 dia	0.62	0.53	1/2-20 UNF	1.25	1.25	5.12	1.00	3.00	0.50
5,000 LE-10,000	0.78 dia	0.75	0.78	3/4-16 UNF	1.50	1.50	6.75	1.50	3.75	0.75
15,000-20,000	1.03 dia	1.00	1.03	1-14 UNS	2.00	2.00	8.88	2.00	4.88	1.00

Order Information

Load Rating	Part #	Est. Weight	Price
NTEP Certified			
1,000 lb	30106	3 lb	\$205.00
2,000 lb	30109	3 lb	\$205.00
2,500 lb	30112	3 lb	\$205.00
3,000 lb	30113	3 lb	\$205.00
4,000 lb	30270	3 lb	\$205.00
5,000 lb SE	30114	3 lb	\$205.00
5,000 lb LE	30115	5 lb	\$350.00
10,000 lb	30117	5 lb	\$350.00
Non-NTEP Certified			
500 lb	30101	3 lb	\$196.00
15,000 lb	30118	9 lb	\$455.00
20,000 lb	30121	10 lb	\$470.00

SE=small envelope; LE=large envelope



Specifications

Full Scale Output:

3.0 mV/V

Output Resistance:

350 (± 3) ohm

Input Resistance:

385 (± 5) ohm

Material/Finish:

High-alloy steel, nickel plated

Temperature:

Compensated range
14°F to 104°F (-10°C to 40°C)
Operating range
0° F to 150° F (-18° C to 65° C)

Seal Type:

Environmentally sealed, IP67

Safe Overload:

150% full scale

Safe Sideload:

100% full scale

Rated Excitation:

5- 10 VDC (15 V maximum)

Combined Error:

0.02% full scale

Insulation Resistance:

5,000 megohms

Deflection at Capacity:

500-1,000 lb=0.013 in
2,000-3,000 lb=0.015 in
4,000-5,000 lb=0.025 in
10,000 lb=0.035 in

Cable Length:

20 ft

Cable Diameter:

0.200 in polyurethane jacket

Cable Color Code:

Red +Excitation
Black -Excitation
Green +Signal
White -Signal

Warranty:

One-year limited warranty

Approvals:

cFMus
NTEP

SINGLE-ENDED BEAM
SQB-HSS

Stainless Steel, Welded Seal, NTEP Certified 1:5,000 Class III Multiple Cell, IP67

VPG CELTRON



APPROVALS



Dimensions

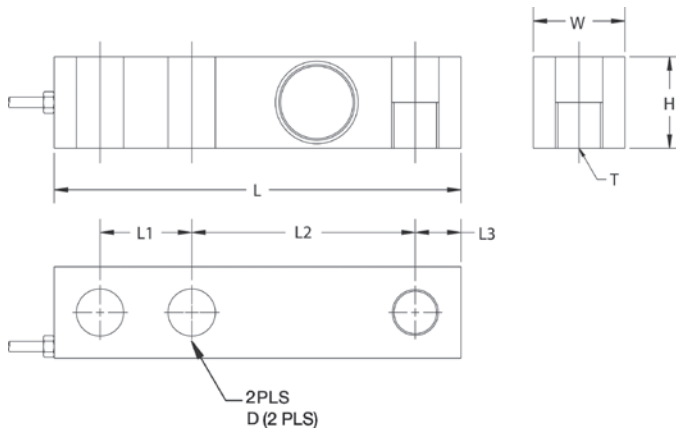
Picture is a representation of actual product

Rated Capacity	L	L1	L2	L3	W	H	D	T
lb/in								
1,000-5,000 SE	5.12	1.00	3.00	0.50	1.25	1.25	0.53	1/2-20 UNF
5,000-10,000	6.75	1.50	3.75	0.75	1.50	1.50	0.78	3/4-16 UNF

Order Information

Load Rating	Part #	Est. Weight	Price
1,000 lb	67118	3 lb	\$344.00
2,000 lb	67119	3 lb	\$344.00
2,500 lb	67120	3 lb	\$344.00
3,000 lb	67121	3 lb	\$344.00
4,000 lb	67122	3 lb	\$344.00
5,000 lb SE	67123	3 lb	\$344.00
5,000 lb	67124	5 lb	\$450.00
10,000 lb	67125	5 lb	\$450.00

SE=small envelope



Interchangeable Products

VPG® SENSORTRONICS
65083..... page 320

Weigh Module Available

RICE LAKE WEIGHING SYSTEMS
RL1800 Series..... page 62

Specifications

Full Scale Output:
3.0 mV/V

Output Resistance:
350 (± 3) ohm

Input Resistance:
385 (± 5) ohm

Material/Finish:
Stainless steel

Temperature:
Compensated range
14°F to 104°F (-10° C to 40° C)
Operating range
0° F to 150° F (-18° C to 65° C)

Seal Type:
Welded-seal, IP67

Safe Overload:
150% full scale

Safe Sideload:
100% full scale

Rated Excitation:
5-10 VDC (15 V maximum)

Combined Error:
0.02 full scale

Insulation Resistance:
5,000 megohms

Cable Length:
20 ft

Cable Diameter:
0.200 in polyurethane jacket

Cable Color Code:
Red +Excitation
Black -Excitation
Green +Signal
White -Signal

Warranty:
One-year limited warranty

Approvals:
cFMus
NTEP

www.ricelake.com | Phone: 800-472-6703



Interchangeable Products

INTERFACE®

MB.....-

Specifications

Full Scale Output:

3.0 mV/V

Output Resistance:

350 (± 3) ohm

Input Resistance:

385 (± 5) ohm

Material/Finish:

High-alloy steel, nickel plated

Temperature:

Operating range
0° F to 150° F (-18° C to 65° C)

Seal Type:

Environmentally sealed, IP65

Safe Overload:

150% full scale

Rated Excitation:

5- 10 VDC (15 V maximum)

Nonlinearity:

0.03% full scale

Hysteresis:

0.02% full scale

Insulation Resistance:

5,000 megohms

Cable Length:

5 ft

Cable Color Code:

Red +Excitation
Black -Excitation
Green +Signal
White -Signal

Warranty:

One-year limited warranty

Approvals:

cFMus



APPROVALS



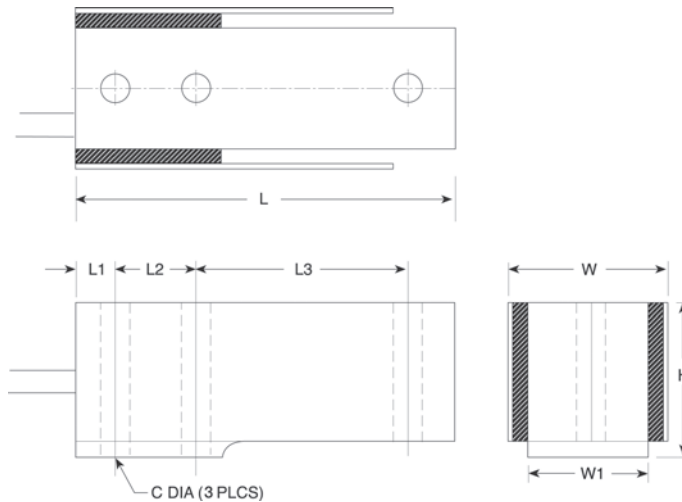
Dimensions

Picture is a representation of actual product

Rated Capacity	C	W	W1	H	L	L1	L2	L3
50-150	0.17	0.75	0.50	0.98	2.38	0.25	0.50	1.33
250	0.17	1.00	0.75	0.98	2.38	0.25	0.50	1.33

Order Information

Load Rating	Part #	Est. Weight	Price
50 lb	30130	2 lb	\$205.00
100 lb	30131	2 lb	\$205.00
150 lb	30132	2 lb	\$205.00
250 lb	35786	2 lb	\$205.00



SINGLE-ENDED BEAM

SEB

Alloy Steel, Environmentally Sealed, OIML C3, IP67

VPG CELTRON



APPROVALS



Specifications

- Full Scale Output:**
3.0 mV/V
- Output Resistance:**
350 (± 3) ohm
- Input Resistance:**
385 (± 5) ohm
- Material/Finish:**
High-alloy steel, nickel plated
- Temperature:**
Compensated range
14° F to 104° F (-10° C to 40° C)
Operating range
0° F to 150° F (-18° C to 65° C)
- Seal Type:**
Environmentally sealed, IP67
- Safe Overload:**
150% full scale
- Safe Sideload:**
100% full scale
- Rated Excitation:**
5- 10 VAC/DC (15 V maximum)
- Combined Error:**
0.025% full scale
- Insulation Resistance:**
5,000 megohms
- Cable Length:**
20 ft
- Cable Diameter:**
0.200 in polyurethane jacket
- Cable Color Code:**
Red +Excitation
Black -Excitation
Green +Signal
White -Signal
- Warranty:**
One-year limited warranty
- Approvals:**
cFMus
OIML

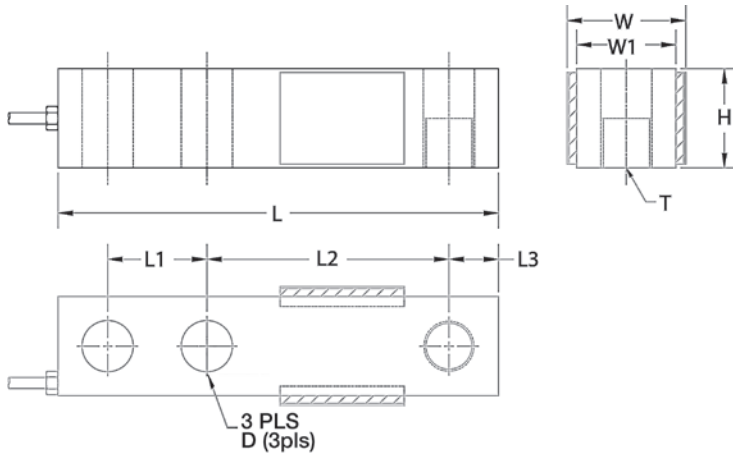
Dimensions

Picture is a representation of actual product

Rated Capacity	L	L1	L2	L3	W	W1	H	D	T
kg-t/in									
500-2.5	5.12	1.00	3.00	0.50	1.50	1.25	1.25	0.53	M12 × 1.75

Order Information

Load Rating	Part #	Est. Weight	Price
500 kg	69315	3 lb	\$228.00
1t	69316	3 lb	\$228.00
1.5t	69317	3 lb	\$228.00
2t	69318	3 lb	\$228.00
2.5t	69319	3 lb	\$228.00



www.ricelake.com | Phone: 800-472-6703



Interchangeable Products

- RICE LAKE WEIGHING SYSTEMS
RL75016 page 166
- RICE LAKE WEIGHING SYSTEMS
RL75016WHE page 170
- VPG® SENSORTRONICS
65016 page 326
- VPG® REVERE
5203 —

Weigh Module Available

- RICE LAKE WEIGHING SYSTEMS
RL1600 Series page 98 and page 100



APPROVALS



Dimensions

Picture is a representation of actual product

Rated Capacity	A1	A2	C	D	E	F
lb/in						
1,000-5,000	0.50	1.25	1.25	1.25	7.50	6.25
10,000-25,000	0.81	1.99	1.44	1.94	8.75	7.50
50,000	1.31	3.00	2.44	2.94	13.50	11.50
75,000	1.31	—	2.44	2.94	13.50	11.50

Specifications

- Full Scale Output:**
3.0 mV/V
- Output Resistance:**
700 (± 5) ohm
- Input Resistance:**
770 (± 10) ohm
- Material/Finish:**
High-alloy steel, nickel plated
- Temperature:**
Operating range
0° F to 150° F (-18° C to 65° C)
- Seal Type:**
Environmentally sealed, IP67
- Safe Overload:**
150% full scale
- Safe Sideload:**
100% full scale
- Rated Excitation:**
5-10 VDC (15 V maximum)
- Nonlinearity:**
0.03% full scale
- Hysteresis:**
0.02% full scale

- Insulation Resistance:**
5,000 megohms
- Deflection at Capacity:**
1,000-3,000 lb=0.01 in
5,000 lb=0.015 in
10,000-20,000 lb=0.022 in
25,000 lb=0.036 in
50,000 lb=0.052 in
75,000 lb=0.07 in

- Cable Length:**
25 ft
- Cable Diameter:**
1,000-25,000 lb=0.200 in
50,000-75,000 lb=0.305 in
polyurethane jacket

- Cable Color Code:**
Red +Excitation
Black -Excitation
Green +Signal
White -Signal

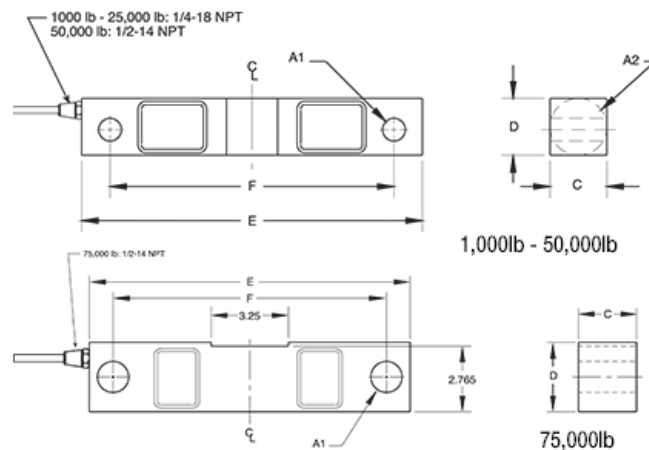
- Warranty:**
One-year limited warranty

- Approvals:**
cFMus

Order Information

Load Rating	Part #	Est. Weight	Price
1,000 lb	30080	4 lb	\$525.00
1,500 lb	30081	4 lb	\$525.00
2,000 lb	30088	4 lb	\$525.00
2,500 lb	30089	4 lb	\$525.00
3,000 lb	30091	4 lb	\$525.00
5,000 lb	30094	4 lb	\$525.00
10,000 lb	30095	7 lb	\$610.00
15,000 lb	30096	7 lb	\$610.00
20,000 lb	30097	7 lb	\$610.00
25,000 lb	30098	7 lb	\$610.00
50,000 lb	30099	25 lb	\$875.00
75,000 lb*	30100	25 lb	\$875.00

**75,000 lb capacity has a square center*



MDB

Alloy Steel, Environmentally Sealed, IP67

**DISCONTINUED
LIMITED STOCK
AVAILABLE**



APPROVALS



Specifications

- Full Scale Output:**
2 mV/V
- Output Resistance:**
700 (± 5) ohm
- Input Resistance:**
770 (± 10) ohm
- Material/Finish:**
High alloy steel, nickel plated
- Temperature:**
Operating range
0° F to 150° F (-18° C to 65° C)
- Seal Type:**
Environmentally sealed, IP67

Dimensions

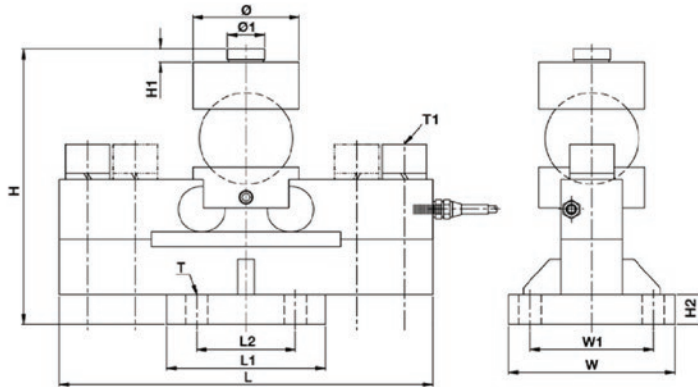
Picture is a representation of actual product

Rated Capacity	L	L1	L2	H	H1	H2	Ø	Ø1	W	W1	T1
t/mm											
10-30	240.0	125.0	80.0	230.0	11.0	20.0	88.0	30.0	135.0	100.0	2-M24
40-50	340.0	160.0	124.0	261.0	11.0	20.0	98.0	40.0	160.0	124.0	2-M24

Order Information

Load Rating	Part #	Est. Weight	Price
10 t	169240	49 lb	\$550.00
20 t	169241	49 lb	\$583.00
25 t	169242	49 lb	\$583.00
30 t	169243	49 lb	\$583.00
40 t	169244	60 lb	\$1,267.00
50 t	169245	60 lb	\$1,267.00

All capacities include cup and ball



- Safe Overload:**
50% full scale
- Rated Excitation:**
5-10 VDC (15 VDC max)
- Nonlinearity:**
0.030% full scale
- Hysteresis:**
0.030% full scale
- Insulation Resistance:**
5,000 megohms
- Cable Length:**
13.5 m
- Cable Color Code:**
Red +Excitation
Black -Excitation
Green +Signal
White -Signal
- Warranty:**
One-year limited warranty
- Approvals:**
cFMus

Interchangeable Products

RICE LAKE WEIGHING SYSTEMS

RL75058I page 171

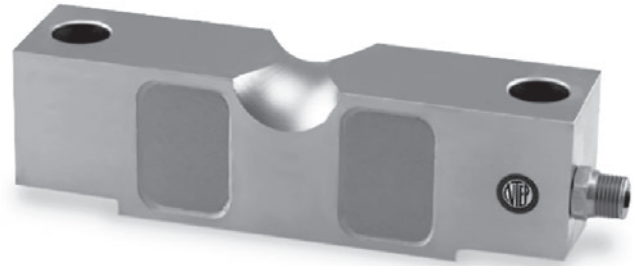
VPG® SENSORTRONICS

65058A page 329

Weigh Module Available

RICE LAKE WEIGHING SYSTEMS

MVS page 106



APPROVALS



Specifications

Full Scale Output:

3.0 mV/V

Output Resistance:

700 (± 5) ohm

Input Resistance:

770 (± 10) ohm

Material/Finish:

High-alloy steel, nickel plated

Temperature:

Compensated range
14°F to 104°F (-10° C to 40° C)
Operating range
0° F to 150° F (-18° C to 65° C)

Seal Type:

Environmentally sealed, IP67

Safe Overload:

150% full scale

Safe Sideload:

100% full scale

Rated Excitation:

5-10 VDC (15 V maximum)

Combined Error:

0.025% full scale

Insulation Resistance:

5,000 megohms

Cable Length:

35 ft

Cable Diameter:

20,000-25,000 lb=0.200 in
40,000-125,000 lb=0.305 in
polyurethane jacket

Cable Color Code:

Red +Excitation
Black -Excitation
Green +Signal
White -Signal

Warranty:

One-year limited warranty

Approvals:

cFMus
NTEP

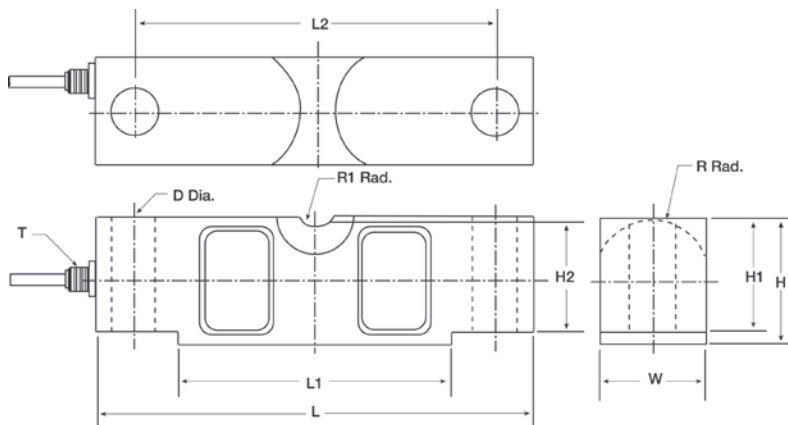
Dimensions

Picture is a representation of actual product

Rated Capacity	L	L1	L2	W	H	H1	H2	D	R	R1	T
lb/in											
20,000-25,000	7.75	4.99	6.50	1.69	1.94	1.70	1.63	0.68	0.90	0.75	1/4-18 NPT
40,000	10.25	6.39	8.50	1.94	2.44	2.10	2.00	0.81	1.12	1.00	1/4-18 NPT
50,000-75,000	10.25	6.39	8.50	2.44	2.94	2.65	2.54	1.06	1.37	1.00	1/2-14 NPT
125,000	15.25	8.99	12.75	2.90	3.86	2.43	3.30	1.62	1.80	1.50	1/2-14 NPT

Order Information

Load Rating	Part #	Est. Weight	Price
20,000 lb	46675	8 lb	\$646.00
25,000 lb	46676	8 lb	\$662.00
40,000 lb	46677	13 lb	\$790.00
50,000 lb	46678	19 lb	\$858.00
60,000 lb	46679	19 lb	\$858.00
75,000 lb	46680	19 lb	\$858.00
125,000 lb	46682	40 lb	\$1,563.00





APPROVALS



Interchangeable Products

RICE LAKE WEIGHING SYSTEMS	
RL1521A	page 191
VPG® TEDEA-HUNTLEIGH	
1022	page 346
VPG® BLH	
C2G1	—
NMB®	
C2G1	—

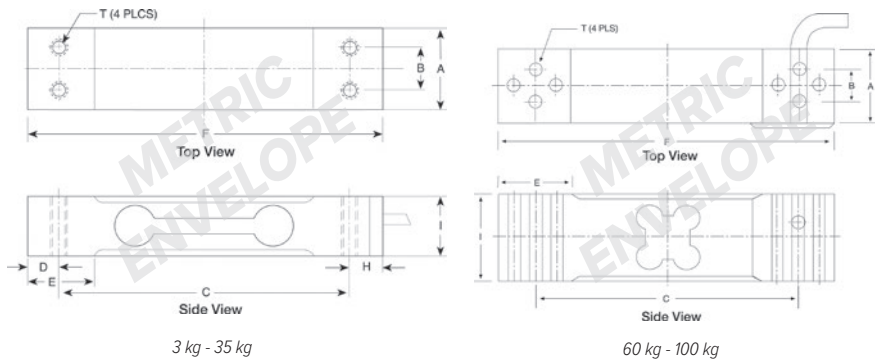
Dimensions

Picture is a representation of actual product

Rated Capacity	A	B	C	D	E	F	H	I	T
kg/mm									
3	15.0	7.0	58.0	6.0	12.0	70.0	6.0	22.0	M3 × 0.5
6-20	30.0	15.0	106.0	12.0	25.0	130.0	12.0	22.0	M6 × 1.0
30-35	40.0	15.0	106.0	12.0	25.0	130.0	12.0	22.0	M6 × 1.0
60-100	35.0	15.0	117.0	-	-	150.0	-	40.0	M6 × 1.0

Order Information

Load Rating	Part #	Est. Weight	Price
NTEP Certified			
3 kg	41822	1lb	\$138.00
6 kg	41823	1lb	\$138.00
10 kg	41824	1lb	\$138.00
15 kg	41825	1lb	\$138.00
20 kg	41826	1lb	\$138.00
Non-NTEP Certified			
10 kg	30145	1lb	\$127.00
15 kg	30146	1lb	\$127.00
20 kg	30147	1lb	\$127.00
30 kg	46502	1lb	\$127.00
35 kg	30148	1lb	\$127.00
60 kg	41149	2 lb	\$127.00
100 kg	41150	2 lb	\$127.00



Specifications

- Full Scale Output:** 2.0 mV/V
- Output Resistance:** 350 (± 3) ohm
- Input Resistance:** 410 (± 15) ohm
- Material/Finish:** Aluminum
- Temperature:** Compensated range 14°F to 104°F (-10°C to 40°C)
Operating range 0° F to 150° F (-18° C to 65° C)
- Seal Type:** Environmentally sealed, IP65
- Safe Overload:** 150% full scale
- Rated Excitation:** 5-10 VDC (15 V maximum)
- Combined Error:** 0.25% full scale
- Non-Repeatability:** 0.02%
- Insulation Resistance:** 5,000 megohms
- Cable Length:** 3-35 kg=16.5 in
60 kg=14 in
100 kg=6.5 ft
- Cable Diameter:** 0.14 in PVC jacket
- Cable Color Code:** Red +Excitation
Black - Excitation
Green +Signal
White -Signal
- Max Platform Size:** 13.75 in × 13.75 in
- Warranty:** One-year limited warranty
- Approvals:** cFMus
NTEP

LOC Heavy Capacity

Aluminum, Heavy Capacity, Environmentally Sealed, NTEP Certified 1:5,000 Class III Single Cell, IP65

Specifications

Full Scale Output:

2.0 mV/V

Output Resistance:

350 (± 3) ohm

Input Resistance:

410 (± 10) ohm

Material/Finish:

Aluminum

Temperature:

Compensated range
14°F to 104°F (-10°C to 40°C)
Operating range
0° F to 150° F (-18° C to 65° C)

Seal Type:

Environmentally sealed, IP65

Safe Overload:

150% full scale

Rated Excitation:

5- 10 VDC (15 V maximum)

Combined Error:

0.025% full scale

Non-Repeatability:

0.02% full scale

Insulation Resistance:

5,000 megohms

Cable Length:

3 m

Cable Diameter:

0.200 in PVC jacket

Cable Color Code:

Red +Excitation
Black -Excitation
Green +Signal
White -Signal

Max Platform Size:

24 in \times 24 in

Warranty:

One-year limited warranty

Approvals:

cFMus
NTEP

APPROVALS



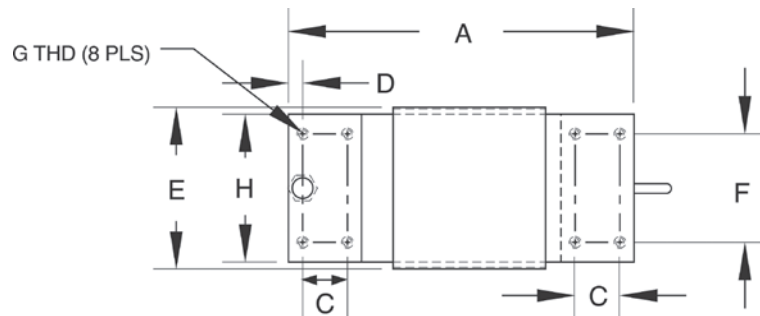
Dimensions

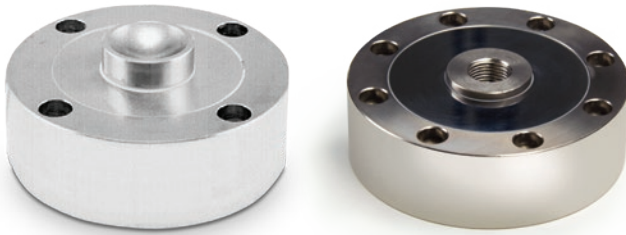
Picture is a representation of actual product

Rated Capacity	A	C	D	E	F	G	H
kg/mm							
100-500	191.0	25.0	11.0	82.0	60.0	5/16-18 UNC \times 20 DP	75.0

Order Information

Load Rating	Part #	Est. Weight	Price
100 kg	39797	7lb	\$313.00
150 kg	39796	7lb	\$313.00
250 kg	39795	7lb	\$313.00
300 kg	39794	7lb	\$313.00
500 kg	39793	7lb	\$313.00





25,000 lb - 100,000 lb

5,000 lb - 10,000 lb

APPROVALS



Dimensions

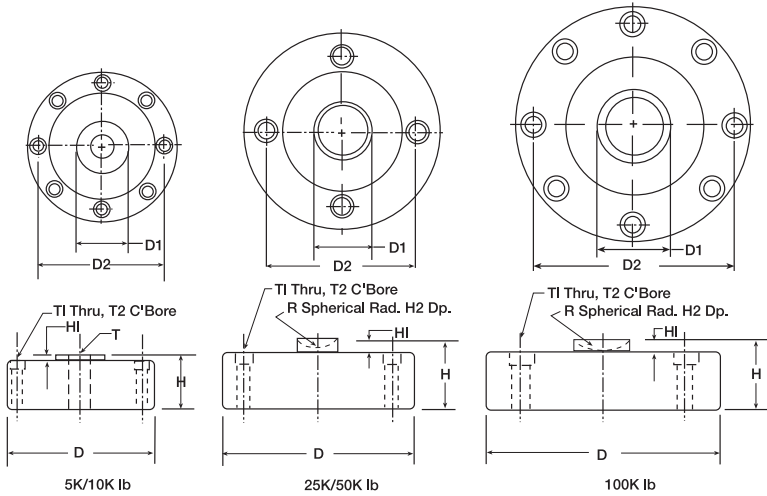
Picture is a representation of actual product

Rated Capacity	T	R	D	D2	H	H1	H2	T1	T2
5,000*-10,000*	5/8-18 UNF	—	4.12	3.50	1.37	0.12	—	0.28	0.406 × 0.283 DP
25,000-50,000	—	0.875	4.75	4.00	2.12	0.50	0.31	0.34	0.508 × 0.38 DP
100,000	—	0.875	5.43	4.60	2.25	0.25	0.31	0.41	0.626 × 0.4 DP

Order Information

Load Rating	Part #	Est. Weight	Price
5,000 lb*	41966	6 lb	\$636.00
10,000 lb*	41967	6 lb	\$636.00
25,000 lb	41968	9 lb	\$822.00
50,000 lb	41969	9 lb	\$822.00
100,000 lb	41970	12 lb	\$975.00
Options			
Ball 1.25 in diameter	65841	1 lb	\$37.00
Load cup**	33616	1 lb	\$37.00

* 5,000lb and 10,000lb models can be used in compression and tension load applications
 ** Load cup, PN 33616, is required for compression applications on 5,000lb and 10,000lb capacity load cells and is sold separately



Interchangeable Products

RICE LAKE WEIGHING SYSTEMS
RL90000 page 184

Specifications

- Full Scale Output:** 4.0 mV/V
- Output Resistance:** 5,000-50,000 lb=350 (± 3) ohm
100,000 lb=700 (± 5) ohm
- Input Resistance:** 5,000-50,000 lb=385 (± 5) ohm
100,000 lb=770 (± 70) ohm
- Material/Finish:** High-alloy steel, nickel plated

- Temperature:** Operating range 0° F to 150° F (-18° C to 65° C)
- Seal Type:** Environmentally sealed, IP67

- Safe Overload:** 150% full scale
- Rated Excitation:** 15 VDC (15 V maximum)

- Nonlinearity:** 0.05% full scale
- Hysteresis:** 0.02% full scale

- Insulation Resistance:** 2,000 megohms
- Cable Length:** 50 ft

- Cable Diameter:** 5,000-25,000 lb=0.200 in
50,000-100,000 lb=0.305 in polyurethane jacket
- Cable Color Code:** Red +Excitation
Black -Excitation
Green +Signal
White -Signal

- Warranty:** One-year limited warranty

- Approvals:** cFMus