



Picture is a representation of actual product

Approvals



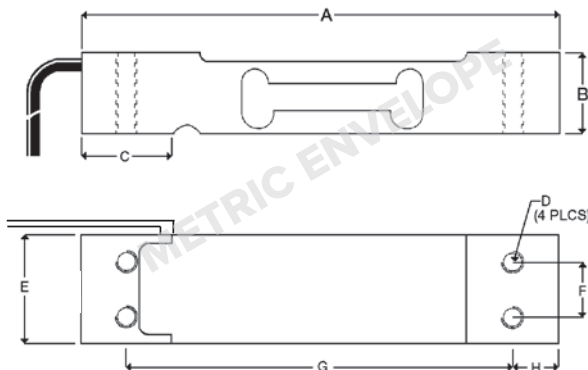
Available upon request

Order Information

Load Rating	Part #	Est. Weight	Price
1.5 ft Cables NTEP Certified			
3 kg	41135	2 lb	Consult
5 kg	41136	2 lb	Consult
7 kg	41137	2 lb	Consult
10 kg	41138	2 lb	Consult
15 kg	41139	2 lb	Consult
30 kg	41141	2 lb	Consult
35 kg	41142	2 lb	Consult
10 ft Cables NTEP Certified			
3 kg	132269	2 lb	Consult
5 kg	132270	2 lb	Consult
7 kg	132271	2 lb	Consult
10 kg	132272	2 lb	Consult
15 kg	132273	2 lb	Consult
20 kg	132274	2 lb	Consult
30 kg	132275	2 lb	Consult
35 kg	132276	2 lb	Consult
1.5 ft Cables OIML Approved			
10 kg	150770	2 lb	Consult
15 kg	150771	2 lb	Consult
20 kg	150772	2 lb	Consult
30 kg	150773	2 lb	Consult

Dimensions

Rated Capacity	A	B	C	D	E	F	G	H
kg/mm								
3 to 7	130.0	22.0	25.0	M6 × 1.0	25.4	15.0	106.0	12.0
10 to 30	130.0	22.0	25.0	M6 × 1.0	30.0	15.0	106.0	12.0
35	130.0	22.0	25.0	M6 × 1.0	40.0	15.0	106.0	12.0



Interchangeable Products

- RICE LAKE WEIGHING SYSTEMS
- RL1521A..... page 159
- VPG® CELTRON®
- LPS..... page 197
- VPG® BLH®
- C2G1
- NMB®
- C2G1

Specifications

- Full Scale Output:** 2.0 mV/V
- Output Resistance:** 350 (± 3) ohm
- Input Resistance:** 415 (± 15) ohm
- Material/Finish:** Anodized aluminum
- Temperature:**
 - Compensated: 14 °F to 104 °F (-10 °C to 40 °C)
 - Operating: 0 °F to 150 °F (-18 °C to 65 °C)
- Seal Type:** Environmentally sealed, IP66
- Safe Overload:** 150% full scale
- Rated Excitation:** 5 to 10 VDC (15 V maximum)
- Combined Error:** 0.02% full scale
- Insulation Resistance:** 2,000 megohm
- Cable Length:** 3 m, 0.5 m
- Cable Diameter:** 3.5 mm, PVC jacket
- Cable Color Code:**
 - Green +Excitation
 - Black -Excitation
 - Red +Signal
 - White -Signal
- Max Platform Size:** 0.35 × 0.35 mm
- Warranty:** One-year limited
- Approvals:**
 - NTEP
 - OIML
 - cFMus
 - Ex (Available upon request)

TEDEA-HUNTLEIGH® VPG®