

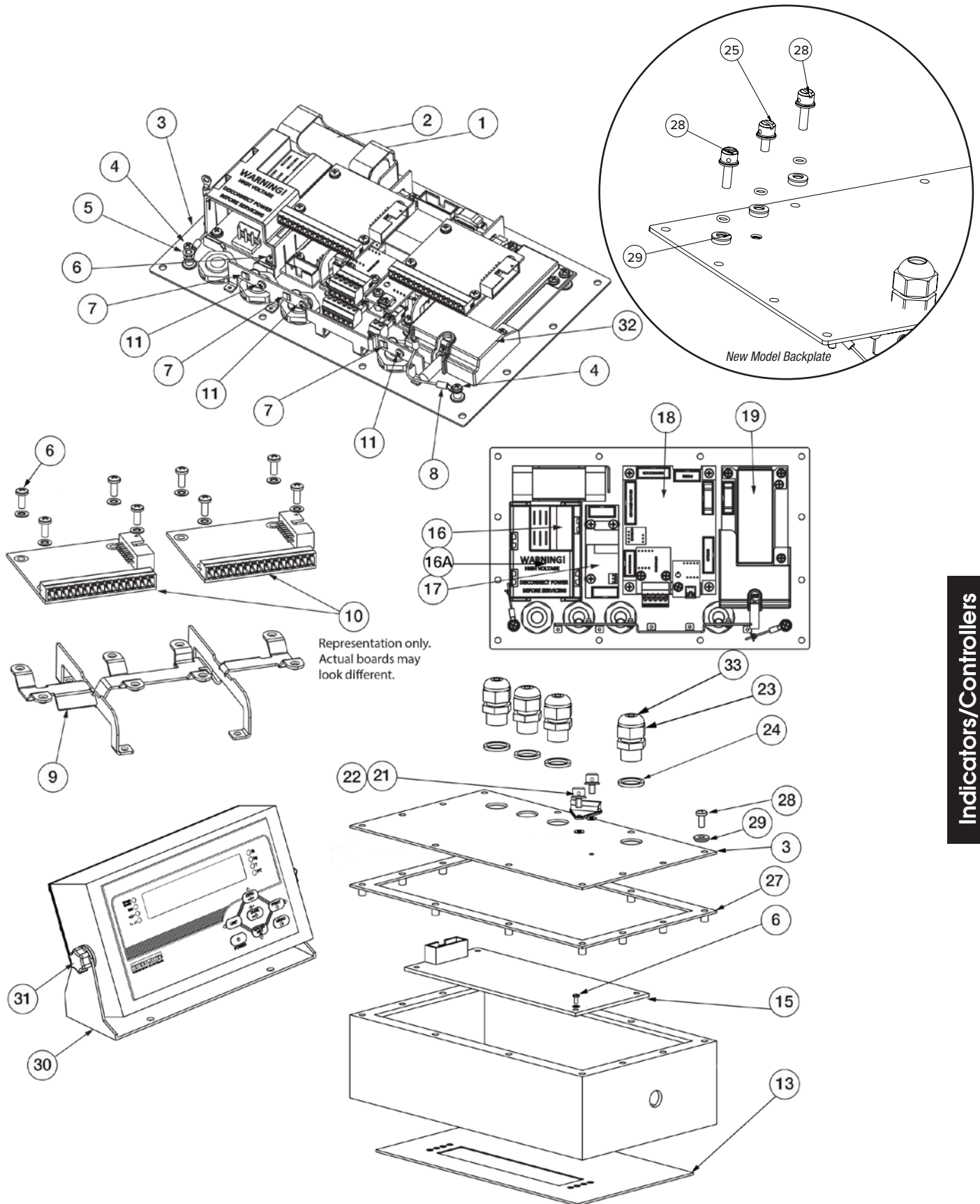
480/482 Legend Series Digital Weight Indicator Backplate



Part Number/Price

Ref#	Part#	Description	Price
	164650	Battery Kit	Consult
1	131322	Battery bracket (opt)	Consult
2	131323	Battery, rechargeable (opt)	Consult
3	131321	Backplate, back plane base	Consult
4	14626	Nut, KEP 8-32 NC hex w/external tooth lock washer	Consult
6	14831	Screw, MACH 4-40NC x 0.3125 with lock washer	Consult
7	131333	Ground clamp, 3/16 in dia	Consult
	164580	Ground clamp, 1/4 in dia	Consult
8	131334	Ground wire, insulated	Consult
9	131340	Bracket for option module	Consult
10	131341	Analog output, 0-10VDC, 4-20mA	Consult
	131342	Relay board, 2 inputs, 4 relays	Consult
	164600	USB/Ethernet TCP/IP KIT	Consult
11	22085	Screw, MACH 4-40NC x 0.188	Consult
13	131345	Overlay, 480 6-key	Consult
	159612	Overlay, 480 Plus, numeric keypad	Consult
	161048	Overlay, 482 6-key	Consult
	161049	Overlay, 482 Plus, numeric keypad	Consult
15	131346	Display board, LED 480	Consult
	153776	Display board, LCD, 482	Consult
16	131316	Power supply, 85-265 VAC	Consult
16A	131339	Power supply cover	Consult
17	131317	Battery charger, VDC to VDC (opt)	Consult
18	131318	Board assembly, CPU	Consult
19	131319	Board, assembly, A/D	Consult
20	131324	Screw, 4-40 drilled fillister head (old style)	Consult
21	131325	Screw, 8-32 x 1/4 drilled fillister head (old style)	Consult
22	131335	O-ring	Consult
23	15626	Cord-grip, PG9	Consult
24	30375	Seal ring, nylon PG9	Consult
25	193559	6-32 x 13 mm (new style backplate)	Consult
27	131344	Gasket, backplate	Consult
28	167709	Screw, 8-32NC x 1/2	Consult
29	75062	Washer, bonded sealing #8 x 0.4375	Consult
30	164912	Tilt stand	Consult
31	164577	Knob & washer, M6 thread	Consult
	164604	Ethernet cable with cord grip, 6 ft	Consult
	167707	USB cable with cord grip, type A 78.7 inch (200 cm)	Consult
	167708	USB cable with cord grip, type B male 78.7 inch (200 cm)	Consult
	164602	USB cable with cord grip, type A 6 inch (20 cm)	Consult
	88733	Vent, breather vent	Consult
	88734	Nut, breather vent	Consult
	103462	2-position screw terminal	Consult
	76513	4-position screw terminal	Consult
	76514	6-position screw terminal	Consult
	157223	15-position screw terminal	Consult
	155230	Ribbon cable CPU to display	Consult
	155231	Ribbon cable CPU to A/D	Consult
	155232	Ribbon cable PS to CPU board	Consult
	155233	Ribbon cable CPU to option	Consult
	155234	Power cord 115 VAC, NEMA 5-15 plug	Consult
	155235	Power cord 230 VAC, Euro CEE 7/7 plug	Consult
	131314	Parts Kit	Consult
32	164579	A/D sealing cover	Consult
33	19538	Post plug, slotted back	Consult
Components of Part# 131314			
	94422	Label, capacity	Consult
	53374	Label, annunciators	Consult
	14862	Screw, 8-32NC x 3/8	Consult
	45042	Washer, bonded sealing #8 x 0.375	Consult
	76514	Conn, 6-pin for LC and RS-232 ports	Consult
	103462	Conn, 2-pin for 20 mA port	Consult
	131320	Screw, fillister 8-32NC x 1/2	Consult

480/482 Legend Series Digital Weight Indicator Backplate



Indicators/Controllers