

# Dimensioning

## TABLE OF CONTENTS

<b>Dimensioning</b> .....	<b>325</b>
<b>iDimension® Plus</b> .....	<b>326</b>
<i>Parcel Static Dimensioning System</i>	
<b>iDimension® PWD</b> .....	<b>331</b>
<i>Pallet and Box Dimensioning System</i>	
<b>iDimension® Flex Series</b> .....	<b>333</b>
<i>Pallet and Box Dimensioning System</i>	
<b>iDimension® LTL</b> .....	<b>335</b>
<i>Pallet Dimensioning System</i>	
<b>iDimension® SS</b> .....	<b>338</b>
<i>Software Suite Integration Software</i>	

Product names, logos, brands and other trademarks featured or referred to within this publication are the property of their respective trademark holders.

# iDimension® Plus

Parcel Static Dimensioning System

DIMENSIONING



Approvals



Platform Distance	48 in (1.2 m)		60 in (1.5 m)		80 in (2 m)**	
Min/Max*	Min	Max	Min	Max	Min	Max
Length	2.4 in (61 mm)	40 in (1,000 mm)	2.4 inch (61 mm)	48 in (1,200 mm)	3 in (76 mm)	48 in (1,219 mm)
Width	2.4 in (61 mm)	24 in (609 mm)	2.4 inch (61 mm)	32 in (812 mm)	3 in (76 mm)	32 in (812 mm)
Height	2.4 in (61 mm)	24 in (609 mm)	2.4 inch (61 mm)	28 in (711 mm)	3 in (76 mm)	32 in (812 mm)
Division	0.2 in (5 mm)		0.2 in (5 mm)		0.5 in (10 mm)	

\*With RGB assist enabled smaller measurements are possible

\*\*2 m not Legal for Trade

## Largest Box Measurement Capability for Max Length vs. Max Height

	Pole Assembly Height	Maximum LFT Box Size
Largest Box with Max Height	48 in (1.2m)	24 × 14 × 24 in (609 × 355 × 609 mm)
Largest Box with Max Length	48 in (1.2m)	39 × 24 × 8 in (1,000 × 609 × 203 mm)
Largest Box with Max Height	60 in (1.5m)	32 × 20 × 28 in (812 × 500 × 711 mm)
Largest Box with Max Length	60 in (1.5m)	48 × 32 × 4 in (1,219 × 812 × 101 mm)

## Standard Features

- iDim Plus package 1 includes: base plate, telescoping pole assembly, touchscreen display, calibration object, power cord, operating manual and assembly toolkit
- iDim Plus package 2 includes: package 1 components and a 150-lb Bench Pro™ shipping scale
- iDim Plus package 3 includes: dimensioning head (without pole), 10-ft Ethernet cable, USB display, calibration object, power cord and operating manual
- No special package placement requirements
- Capable to dimension opaque packaging
- Measurement capabilities beyond Legal for Trade limits
- High resolution color image, 1920 × 1080 resolution color camera

## Options

- iDimension SS (Software Suite)
- iDimension App
- Wired or wireless barcode scanner
- Rice Lake BenchPro™ shipping/postal scales
- Rice Lake 680 and 1280 indicators available for automation applications

## Specifications

### Power Requirements:

110 to 240 VAC

### Communication Ports:

- (2) USB A
- (1) 10/100/1000 Base-T Ethernet
- Wi-Fi 802.11 ac

### Display:

10 in (254 mm) touchscreen monitor

### Accuracy:

Certified Legal for Trade at 0.2 in (5 mm)

### Software Integration:

Simple API network integration through HTTP requests, status checking and XML parsing  
iDimension QubeVu Server API provides secure data uploads (push) to local and remote data centers, including cloud-based locations using REST API with OAuth 2.0

### Temperature:

Certified: 32 °F to 95 °F (0 °C to 35 °C)

### Humidity:

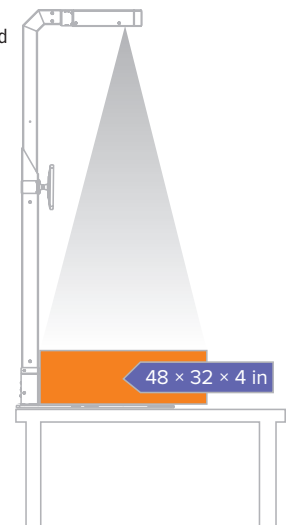
Non-condensing

### Warranty:

Two-year limited

### Approvals:

- NTEP
- CE
- FCC



## Part Numbers/Price

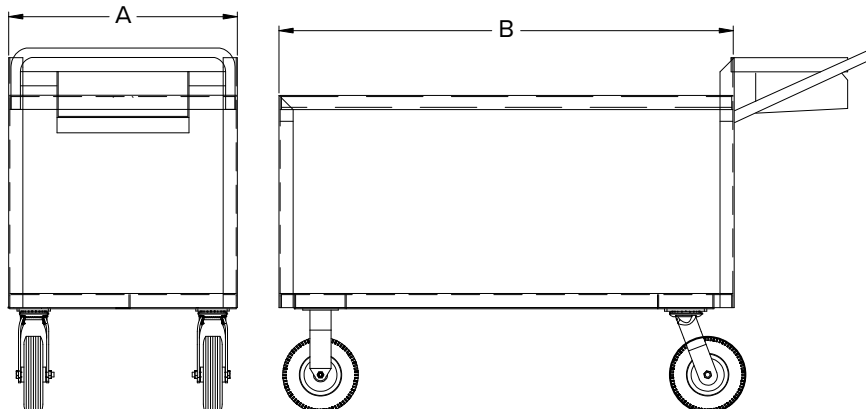
Part #	Description	Price
226071	Package 1 iDimension Plus for stand alone applications	\$5,995.00
226086	Package 2 iDimension Plus with 150 lb BenchPro shipping scale	\$7,060.00
226070	Package 3 iDimension Plus without pole	\$4,495.00
228864	Retrofit kit to mount iDimension Plus 2.0 head to an original iDimension Plus pole assembly. Does not include 10 in display	\$4,895.00

## Options/Accessories

Part #	Description	Price
<b>Kit Mounting Options</b>		
174660	Floor stand for 2 meter sensor height over a work surface or conveyor. Includes pn 206583 hardware and cable, and pn 184262 display RAM mounting kit	\$1,720.00
198708	Mounting hardware and cable assembly kit with 25 ft North American power cord	\$175.00
206583	Mounting hardware and cable assembly kit without power cord	\$175.00
184262	iDimension USB operator display RAM® mount kit	\$145.00
<b>Accessories</b>		
225778	Portable cart, 24 × 48 in with flush shelves, writing shelf and storage pocket. 2 rigid, 2 swivel 9 in pneumatic wheels, 1,200 lb capacity	\$2,305.00
225776	Portable power supply for mobile cart. 1500 watts with AC inverter and 3 120VAC outlets, two USB-A, two USB-C ports. Digital display with battery life, current draw and hours remaining. Recharge in 5 hours	\$1,795.00
180007	Powered Industrial USB 4-Port Hub with USB cable	\$280.00
222125	Power cord, detachable, German/French, 2.5 m, CEE 7/7, Type E plug	\$25.00
95589	Power cord, detachable, UK, 2.5 m, BS1363 Type G plug	\$35.00
162630	Power cord, detachable, AU / NZ, 2.5 m, 1332 Type 1 plug	\$35.00
178501	RS-232/USB cable, for use with compatible indicators	\$60.00
180771	Shipping software integration kit includes four-port industrial USB hub, power adapter and USB cables to connect computer and dimensioner	\$430.00
<b>Barcode Scanner</b>		
225020	QuickScan QD2590 USB barcode scanner	\$345.00
206225	Honeywell wireless long-range 1991XLR-3USB-5-N barcode scanner	\$1,800.00
206228	Power supply for PN 206225	\$75.00
<b>Integration Solutions</b>		
203010	iDimension App (Available for free download at <a href="http://www.ricelake.com">www.ricelake.com</a> )	N/C
225287	USB-A to USB-A cable for connecting dimensioner to computer	\$75.00
175812	iDimension SS (Software Suite) web server software	\$2,250.00
<b>Factory Service and Support</b>		
202027	Up to two hours iDimension Plus remote support, includes initial configuration and scale setup, iDimension App installation and operator training.	\$250.00/Unit
<b>Extended Warranty</b>		
202030	One-year optional extended warranty	\$750.00

## Dimensions

Portable Cart			
A	24 in (610 mm)	B	48 in (1,219 mm)



Portable cart



Shown with ELS  
(Elevated Load Cell Stand)  
legs found on page 581,  
conveyor not included

# iDimension® Plus

Parcel Static Dimensioning System

DIMENSIONING

## Part Numbers/Price

Part #	Description	Price
<b>BenchPro™ Compatible Scales</b>		
<b>Postal Scale 12 × 14 in (305 × 356 mm) Weigh Platter</b>		
194625 *	BenchPro BP-P 1214-35P - 70 lb × 0.2 oz (35 kg × 0.01 kg), multi-range and multi-interval postal scale, painted mild steel weigh platter	\$875.00
<b>Shipping Scale 12 × 14 in (305 × 356 mm) Weigh Platter</b>		
184585	BenchPro BP-S 1214-75S, 150 × 0.05 lb (75 × 0.02 kg), painted mild steel weigh platter	\$875.00
<b>Shipping Scale 18 × 18 in (457 × 457 mm) Weigh Platter</b>		
202191	BenchPro BP-S 1818-75S, 150 × 0.05 lb (75 × 0.02 kg), painted mild steel weigh platter	\$1,740.00
201730	BenchPro BP-S 1818-75S, 150 × 0.05 lb (75 × 0.02 kg), ball top weigh platter	\$2,140.00
202190	BenchPro BP-S 1818-75S, 150 × 0.05 lb (75 × 0.02 kg), roller conveyor weigh platter	\$1,925.00
<b>Shipping Scale 20 × 20 in (508 × 508 mm) Weigh Platter</b>		
182396	BenchPro BP-S 2020-150S, 300 × 0.1 lb (150 × 0.05 kg), painted mild steel weigh platter	\$1,950.00
182397	BenchPro BP-S 2020-150S, 300 × 0.1 lb (150 × 0.05 kg), ball top weigh platter	\$2,375.00
182398	BenchPro BP-S 2020-150S, 300 × 0.1 lb (150 × 0.05 kg), roller conveyor weigh platter	\$2,065.00
<b>Shipping Scale 24 × 24 in (610 × 610 mm) Weigh Platter</b>		
182400	BenchPro BP-S 2424-150S, 300 × 0.1 lb (150 × 0.05 kg), painted mild steel weigh platter	\$2,150.00
182401	BenchPro BP-S 2424-150S, 300 × 0.1 lb (150 × 0.05 kg), ball top weigh platter	\$2,615.00
182402	BenchPro BP-S 2424-150S, 300 × 0.1 lb (150 × 0.05 kg), roller conveyor weigh platter	\$2,265.00

\*USB HID interface not available when in the postal scale lb/oz mode



BenchPro 1214-S with mild steel weigh platter



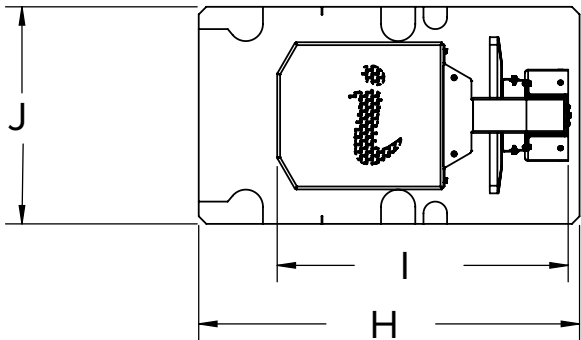
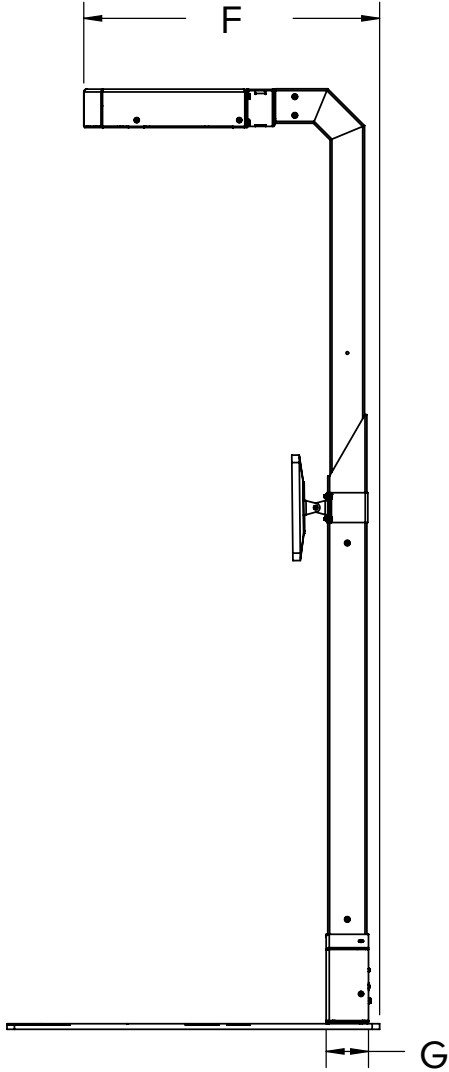
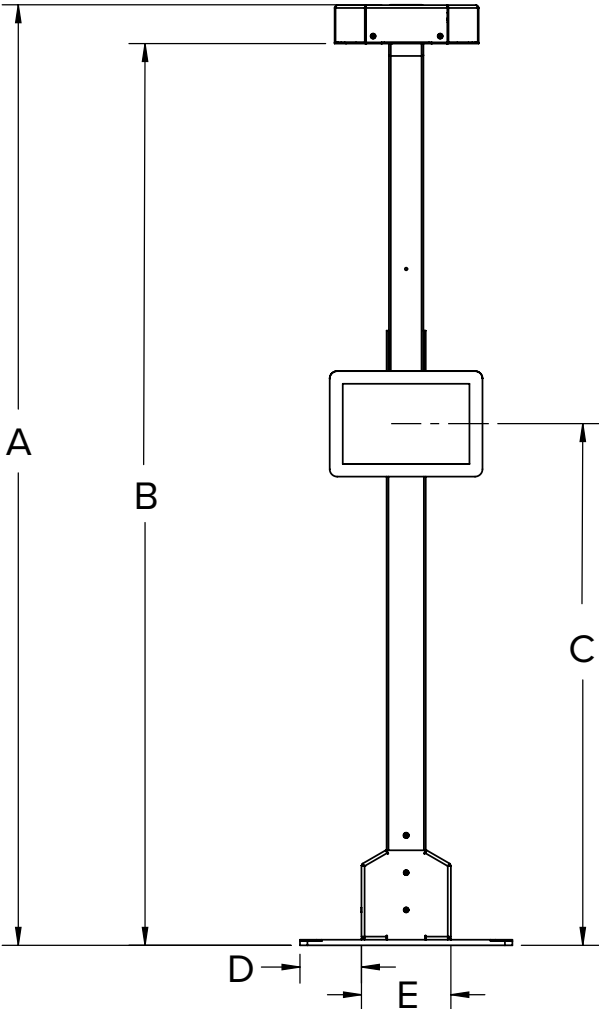
BenchPro 1818-S with ball top weigh platter



BenchPro 2424-S with roller conveyor weight platter

### Dimensions

iDimension Plus			
A	63.10 in (1,603 mm)	F	19.85 in (504 mm)
B	60.50 in (1,537 mm)	G	2.84 in (72 mm)
C	35.00 in (889 mm)	H	25.00 in (635 mm)
D	4.13 in (105 mm)	I	19.10 in (485 mm)
E	6.00 in (152 mm)	J	14.25 in (362 mm)



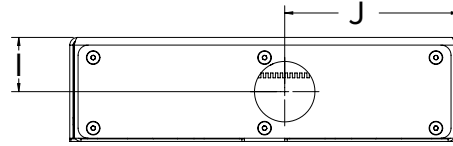
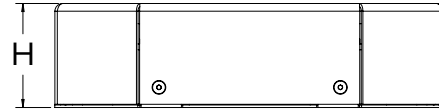
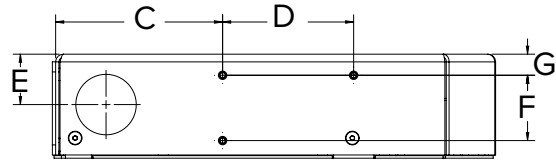
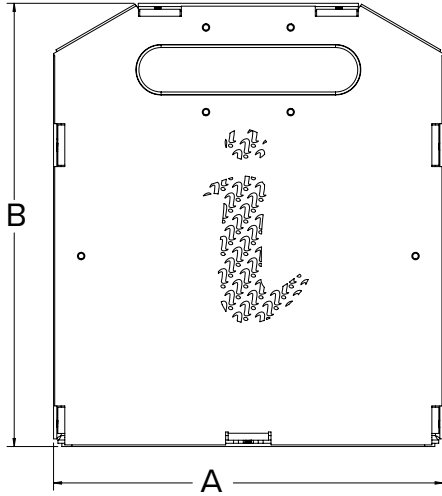
# iDimension® Plus

Parcel Static Dimensioning System

DIMENSIONING

## Dimensions

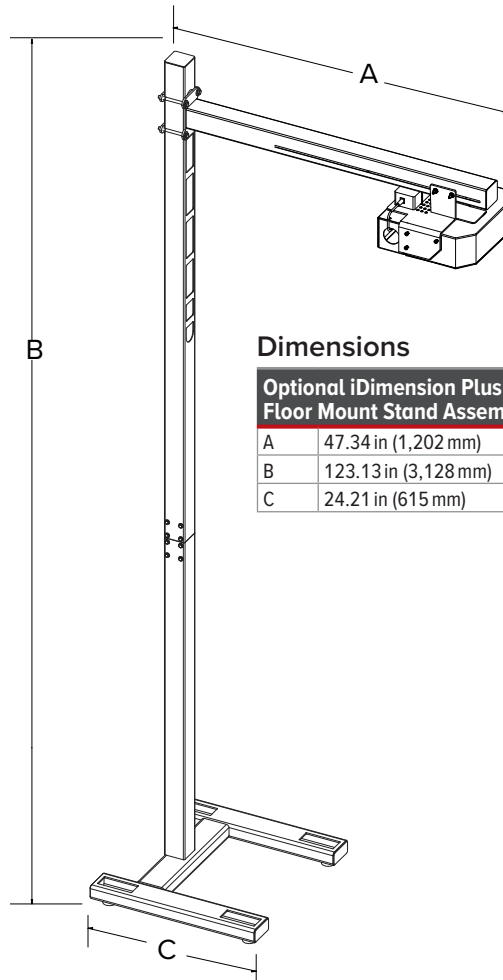
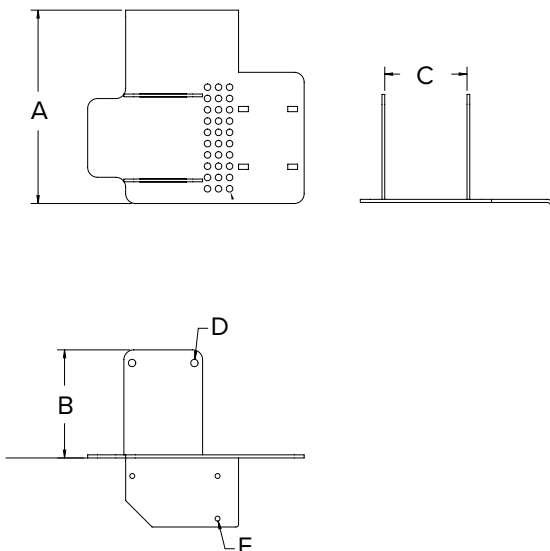
iDimension Plus Scanning Head Assembly			
A	9.66 in (245 mm)	F	1.62 in (41 mm)
B	10.99 in (279 mm)	G	0.52 in (13 mm)
C	4.14 in (105 mm)	H	2.58 in (66 mm)
D	3.25 in (83 mm)	I	1.35 in (34 mm)
E	1.35 in (34 mm)	J	1.25 in (32 mm)



## Dimensions

iDimension Plus Mounting Bracket - PN 198708	
A	7.37 in (187 mm)
B	4.12 in (105 mm)
C	3.14 in (80 mm)
D	2x Ø.28
E	3x Ø.19

Use this bracket to mount scanner head to the optional floor stand 174660 or to user provided structure



## Dimensions

Optional iDimension Plus Floor Mount Stand Assembly	
A	47.34 in (1,202 mm)
B	123.13 in (3,128 mm)
C	24.21 in (615 mm)

# iDimension® PWD

Pallet and Box Dimensioning System



## Standard Features

- Integrated 5 × 5 floor scale with matte black paint
- One high-resolution camera
- Legal for Trade dimensions in two seconds
- iDimension App for data and image storage and transmission
- API and SDK for simple API integration through HTTP requests, status checking and XML parsing
- iDimension QubeVu Server API provides secure data uploads (push) to local and remote data centers including cloud-based locations using REST API with OAuth 2.0

## Specifications

### Legal for Trade Measurement Capability:

Min: 6 × 6 × 6 in (15 × 15 × 15 cm)  
Max: 84 × 72 × 84 in (210 × 180 × 210 cm)

### Power Requirements:

110 to 240 VAC power cable included

### Communication Ports:

Ethernet TCP/IP, USB, Serial RS-232

### Temperature:

Operating:  
14 °F to 104 °F (-10 °C to 40 °C)

### Humidity:

0 to 90% non-condensing

### Warranty:

Two-year limited  
Five-year limited, sensors only

### Approvals:

NTEP 19-076  
OIML R129-2000-A-NL1-24.04  
CE  
UKCA  
FCC  
EU MID Certified T12563

## Approvals



## Part Numbers/Price

Part #	Description	Price
199318	iDimension PWD System	\$38,995.00

## Options/Accessories

Part #	Description	Price
200168	Second high resolution 2.4 mm POE network camera	\$875.00
199665	iDimension PWD pallet jack ramp	\$945.00
199666	Optional fifth overhead sensor	\$2,095.00
212260	Kiosk shelf for optional scanner and printer	\$350.00
<b>Scanning and Printing</b>		
229303	Honeywell scanner kit, 1981IFR-3USB-5-N includes USB, power adapter and charging cradle	\$2,085.00
225020	QuickScan QD2590 USB barcode scanner	\$345.00
212410	Zebra ZD421D printer, direct thermal	\$1,067.00
37345	Label, roll 5 in dia, 1 in core	\$26.00
<b>Integration Solutions</b>		
203010	iDimension App (Available for free download at <a href="http://www.ricelake.com">www.ricelake.com</a> )	N/C
175812	iDimension SS (Software Suite) web server software	\$2,250.00
<b>Factory Service and Support</b>		
FLD-INSTALL	iDimension field install and training day, travel and expenses not included	\$1,395.00
202029	Hourly rate scheduled integration services remote session	\$145.00/hr.
<b>Extended Warranty</b>		
202033	One-year optional extended warranty	\$1,200.00

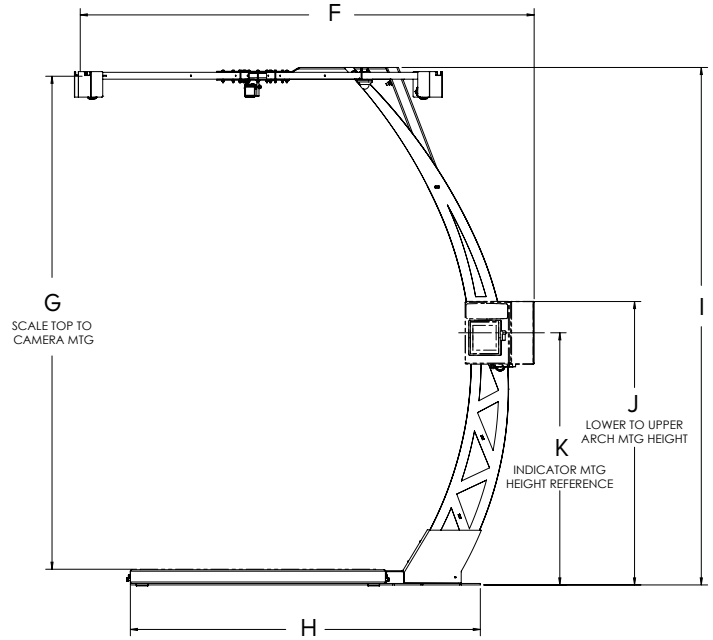
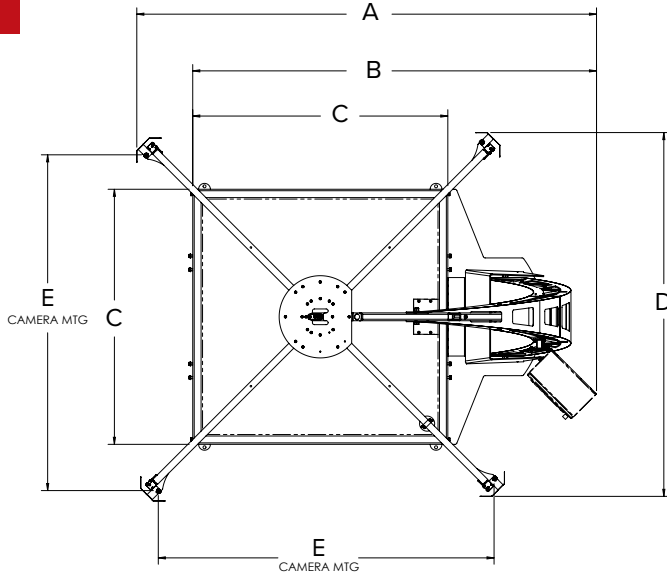
# iDimension® PWD

Pallet and Box Dimensioning System

DIMENSIONING

## Dimensions

iDimension PWD					
A	117.15 in (2,976 mm)	E	85.56 in (2,173 mm)	I	131.86 in (3,349 mm)
B	102.89 in (2,613 mm)	F	115.66 in (2,938 mm)	J	72.22 in (1,834 mm)
C	65.00 in (1,651 mm)	G	125.63 in (3,191 mm)	K	64.25 in (1,632 mm)
D	92.70 in (2,355 mm)	H	89.18 in (2,265 mm)		



# iDimension® Flex Series

Pallet and Box Dimensioning System

DIMENSIONING



## Standard Features

- Free-standing or suspended installation
- One high resolution camera
- Legal for Trade dimensions in two seconds
- iDimension SS (Software Suite) network integration tool kit
- iDimension App for data and image storage and transmission
- API and SDK for simple API integration through HTTP requests, status checking and XML parsing
- iDimension QubeVu Server API provides secure data uploads (push) to local and remote data centers including cloud-based locations using REST API with Auth 2.0

## Specifications

### Legal for Trade Measurement Capability:

- Min: 12 × 12 × 12 in (30 × 30 × 30 cm)
- Max: 2-sensor: 84 × 40 × 40 in (210 × 100 × 100 cm)
- 4-sensor: 102 × 102 × 96 in (260 × 260 × 244 cm)
- 8-sensor: 156 × 102 × 96 in (396 × 260 × 244 cm)

### Power Requirements:

110 to 240 VAC power cable included

### Communication Ports:

Ethernet TCP/IP, USB, Serial RS-232

### Temperature:

Operating: 14 °F to 104 °F (-10 °C to 40 °C)

### Humidity:

0 to 90% non-condensing

### Warranty:

Two-year limited  
Five-year limited, sensors only

### Approvals:

NTEP 19-076  
OIML  
CE Marked  
UKCA  
FCC  
EU MID Certified

## Approvals



Suspended or Free-standing mount options available

## Part Numbers/Price

Part #	Description	Price
219295	iDimension Flex 2-sensor parcel dimensioner	\$25,000.00
219294	iDimension Flex 4-sensor free-standing	\$27,500.00
219292	iDimension Flex 4-sensor suspended	\$25,000.00
230246	iDimension Flex 8-sensor suspended	\$37,995.00

## Options/Accessories

Part #	Description	Price
219194	Kiosk pedestal base	\$895.00
220137	Mounting kit to attach kiosk to 219294 free-standing Flex	\$250.00
212260	Kiosk shelf for optional printer or scanner	\$350.00
220146	Optional fifth sensor to assist with scanning black stretch film	\$2,795.00
205283	80/20 mounting kit, 25 ft high max ceiling height	\$3,295.00
188757	Aircraft wire mounting kit, 35 ft high max ceiling height	\$1,895.00
214187	RoughDeck floor scale 5 × 5 ft HC, 2,500 kg, flat black paint, Measurement Canada Certified	\$2,775.00
213921	RoughDeck floor scale 5 × 5 ft HP, 5,000 lb, flat black paint, NTEP Certified	\$2,775.00
86873	RoughDeck bump guard, HP 5 ft	\$200.00
213999	RoughDeck ramp, 5 ft	\$950.00
200183	680 Plus indicator, LED Display, 115 – 240 VAC with RJ45 Ethernet port and US power cord. Alternately, choose a 1280 for automation applications.	\$1,175.00
<b>Scanning and Printing</b>		
225020	QuickScan QD2590 USB barcode scanner	\$345.00
229303	Honeywell scanner kit, 1981IFR-3USB-5-N includes USB, power adapter and charging cradle	\$2,085.00
212410	Zebra ZD421D printer, direct thermal	\$1,067.00
37345	Label, roll 5 in dia, 1 in core	\$26.00
<b>Factory Service and Support</b>		
FLD-INSTALL	iDimension field install and training day. Travel and expenses not included	\$1,395.00
202029	Hourly Rate for scheduled integration services remote session	\$145.00/hr.
<b>Extended Warranty</b>		
202033	One-year optional extended warranty	\$1,200.00



Kiosk



Kiosk with Optional Pedestal

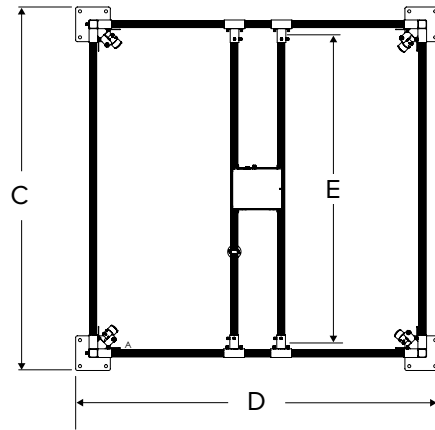
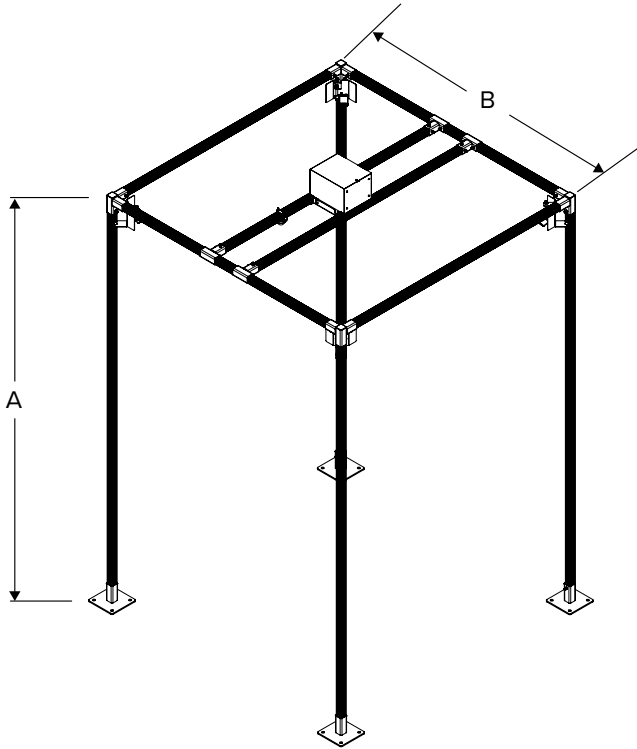
# iDimension® Flex Series

Pallet and Box Dimensioning System

DIMENSIONING

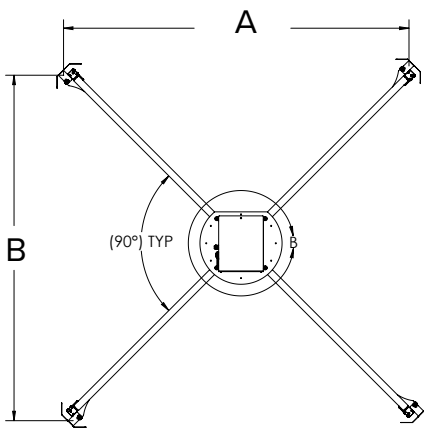
## Dimensions

iDimension Flex Free-standing			
A	145.38 in (3,693 mm) max	D	105.00 in (2,667 mm) max
B	93.00 in (2,362 mm)	E	85.08 in (2,161 mm)
C	104.88 in (2,664 mm) max		



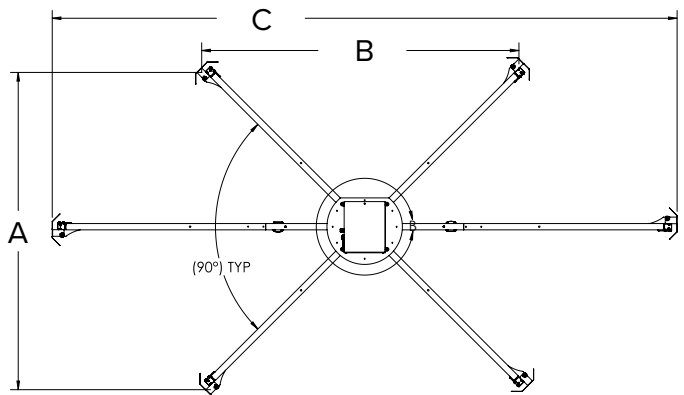
## Dimensions

iDimension Flex Suspended (4 Sensor)	
A	88.12 in (2,238 mm)
B	88.12 in (2,238 mm)



## Dimensions

iDimension Flex Suspended (8 Sensor)	
A	88.12 in (2,238 mm)
B	88.12 in (2,238 mm)
C	173.57 in (4,409 mm)





## Standard Features

- 360° approach angle
- Automatic blade angle compensation
- Suspended from ceiling, no sensors on wall or floor
- Dimensions updated in 0.5 seconds
- Target zone and work area blue LED light kit
- Bounding box images identify minimum cube
- One 2K color camera included
- Calibration test object with built in forklift pockets
- API and SDK for simple API integration through HTTP requests, status checking and XML parsing
- iDimension QubeVu Server API provides secure data uploads (push) to local and remote data centers, including cloud-based locations using REST API with OAuth 2.0

## Options

- Additional 2K color cameras (up to 6)
- 21.5 in forklift operator display
- RTD Monitor for red/green thumb indication
- iDimension SS (Software Suite) network integration tool
- Stop and go activation key
- In-motion activation key

## Specifications

### Power Requirements:

110 to 240 VAC, power cable included

### Measurement Increment:

NTEP: 0.5 in

OIML: 2 cm

### Minimum Pallet Height:

4.25 in (108 mm) wood pallets

### Temperature:

Operating: 14 °F to 104 °F (-10 °C to 40 °C)

### Humidity:

0 to 90% non-condensing

### Warranty:

Two-year limited

One-year limited, sensor only

### Approvals:

NTEP 19-076

CE

UKCA

FCC

## Approvals



## Part Number/Price

Part #	Description	Price
228206	iDimension LTL - 5 with in-motion sensors	\$63,495.00
228229	iDimension LTL - 8 with in-motion sensors	\$76,450.00
198480	Stop and Go activation key	\$7,000.00
229374	In-motion activation key	\$7,000.00

## DROP AND CLEAR

Forklift stops under the dimensioner, drops the freight and reverses away before triggering dimensioner

### Legal for Trade Measurement Capability

- Min: 6 × 6 × 6 in (15 × 15 × 15 cm)
- Max LTL-5: 108 × 108 × 96 in (2.8 × 2.8 × 2.4 m)
- Max LTL-8: 168 × 108 × 96 in (4.2 × 2.8 × 2.4 m)

## STOP AND GO

Forklift stops under the dimensioner, with the freight left on the forks, before triggering

### Legal for Trade Measurement Capability

- Min: 12 × 12 × 12 in (30 × 30 × 30 cm)
- Max LTL-5: 84 × 84 × 84 in (2.1 × 2.1 × 2.1 m)
- Max LTL-8: 84 × 84 × 84 in (2.1 × 2.1 × 2.1 m)

## IN-MOTION

Forklift does not stop - triggering is automatic

### Speed:

- Real time capture 1 to 10 mph without stopping

### Legal for Trade Measurement Capability

- Min: 12 × 12 × 12 in (30 × 30 × 30 cm)
- Max LTL-5: 84 × 84 × 84 in (2.1 × 2.1 × 2.1 m)
- Max LTL-8: 84 × 84 × 84 in (2.1 × 2.1 × 2.1 m)

# iDimension® LTL

## Pallet Dimensioning System

DIMENSIONING

### Options/Accessories

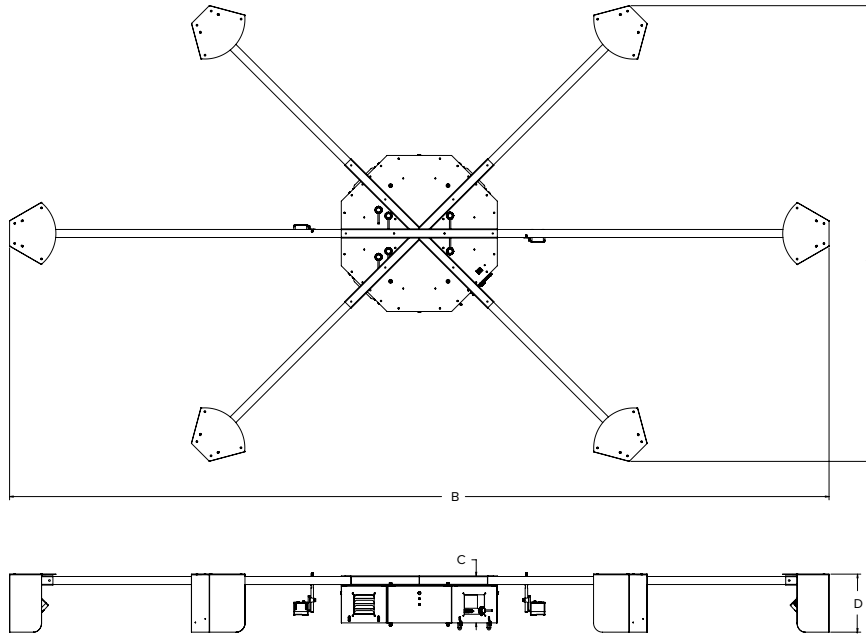
Part #	Description	Price
<b>Mounting</b>		
205283	80/20 ceiling mounting kit (25 ft ceiling max)	\$3,295.00
229186	Seismic rated aircraft cable ceiling mounting kit (35 ft ceiling max)	\$3,695.00
<b>System</b>		
188755	2.4 mm POE network camera – additional high resolution camera (up to 6)	\$875.00
193830	LTL 21.5 in commercial forklift operator display kit	\$2,995.00
223035	10 m EU power cord	\$45.00
223036	10 m UK power cord	\$45.00
223037	10 m AU power cord	\$45.00
<b>PC</b>		
205073	12 in HMI PC and Ram mounting kit for desk or wall	\$6,500.00
202214	HMI PC overhead Ram mounting kit on iDimensioner LTL	\$215.00
174659	HMI PC floor stand and guard rail kit	\$1,250.00
212433	7 in HMI PC and Ram mounting kit for forklift Winmate PC	\$3,250.00
<b>Integration Solutions</b>		
203010	iDimension App (Available for free download at <a href="http://www.ricelake.com">www.ricelake.com</a> )	N/C
175812	iDimension SS (Software Suite) web server software	\$2,250.00
201447	iDimension SS real-time status display (Stop and Go)	\$250.00
201448	iDimension SS standalone forklift data management (Stop and Go)	\$250.00
220981	iDim - CLS Bridge software for Winmate PC	\$595.00
<b>Scanning and Printing</b>		
206229	Honeywell wireless long-range TCP/IP barcode scanner kit	\$2,695.00
212410	Zebra ZD421D printer, direct thermal	\$1,067.00
37345	Label, roll 5 in dia, 1 in core	\$26.00
<b>Stop and Go and In-motion</b>		
231394	Stop and Go/In-motion reflector post kit for Universal Class II 34 in forklift carriages	\$300.00
230037	RFID reader, cable and antenna	\$4,995.00
230275	RFID Tag and adhesive kit	\$17.50
193858	Rice Lake CLS forklift scale cover with Stop and Go reflectors	\$145.00
<b>Floor Scales</b>		
213921	RoughDeck floor scale, 5 × 5 ft HP, 5,000 lb, flat black paint, NTEP Certified	\$2,775.00
214187	RoughDeck floor scale, 5 × 5 ft HC, 2,500 kg, flat black paint, Measurement Canada Certified	\$2,775.00
213922	RoughDeck floor scale 5 × 7 ft HP, 5,000 lb, flat black paint, NTEP Certified	\$3,375.00
86820	Bumper guard, HP 7 ft	\$435.00
86873	Bumper guard, HP 5 ft	\$200.00
213999	RoughDeck ramp, 5 ft	\$950.00
200183	680 Plus Indicator, LED display, 115 to 230 VAC with RJ45, US power cord. Alternately, choose a Rice Lake 1280 for automation applications.	\$1,175.00
<b>Factory Service and Support</b>		
FLD-INSTALL	iDimension field install and training/day, travel and expenses not included	\$1,395.00
202029	Hourly rate scheduled integration services remote session	\$145.00
<b>Extended Warranty</b>		
202033	One-year optional extended warranty	\$1,200.00



CLS forklift scale shown, found on page 407

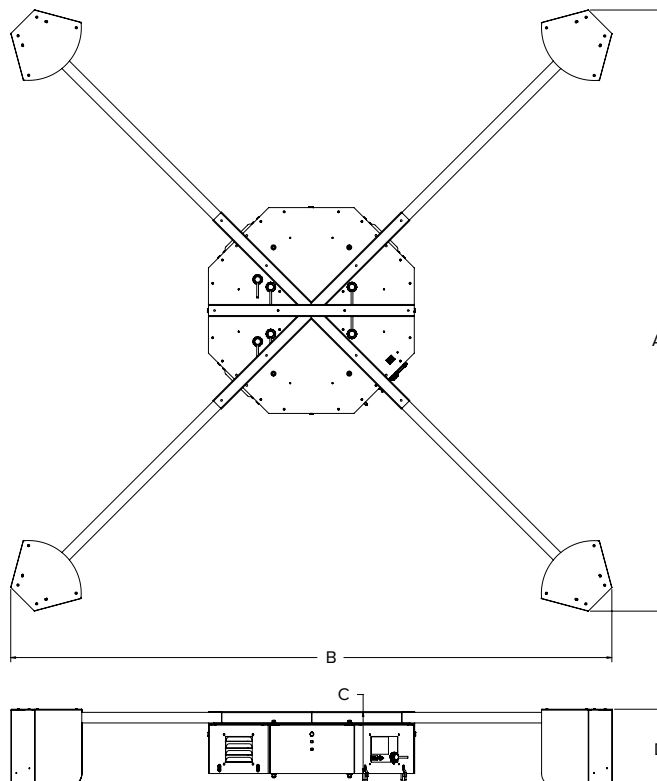
Dimensions

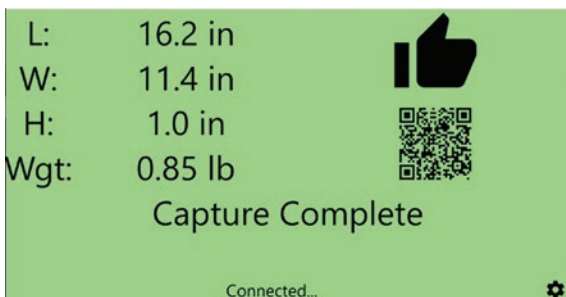
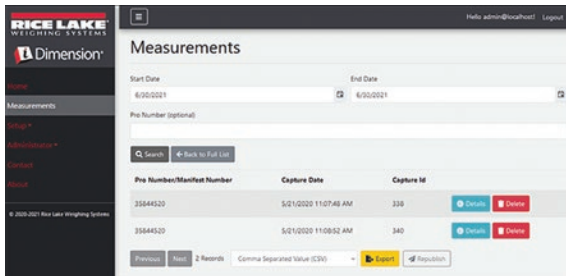
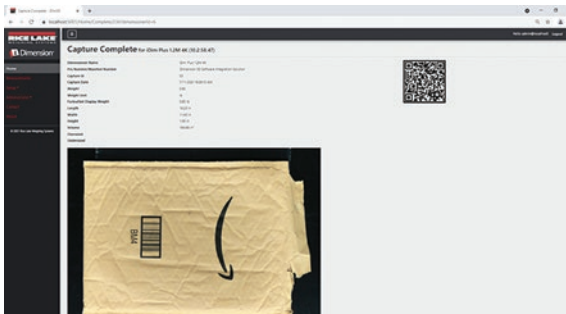
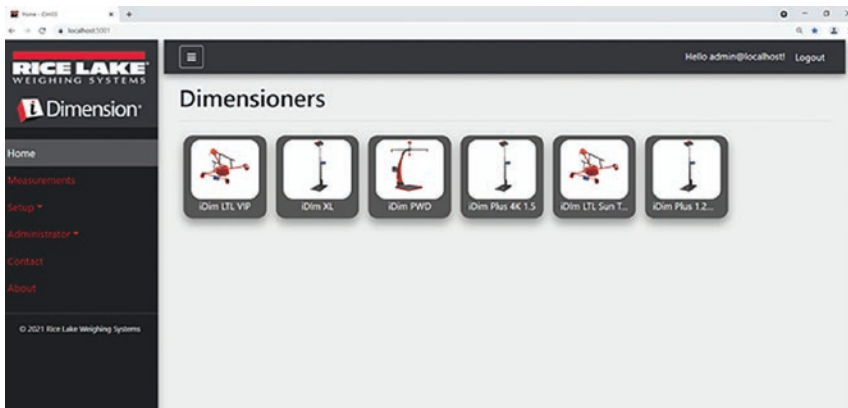
iDimension LTL 8 Sensor			
A	99.30 in (2,522 mm)	C	10.23 in (260 mm)
B	178.56 in (4,535 mm)	D	12.64 in (321 mm)



Dimensions

iDimension LTL 5 Sensor			
A	99.30 in (2,522 mm)	C	10.23 in (260 mm)
B	99.30 in (2,522 mm)	D	12.64 in (321 mm)





## Standard Features

- Automatically display and/or transmit density and National Motor Freight Classification (NMFC) freight class
- Real-time data access and triggering via REST API Swagger API development toolkit included
- Supported peripherals include bar code scanners and label printers
- Measurement database – configurable for capturing and transferring:
  - Identification #, i.e. Pro or sales order
  - Dimensions L x W x H
  - Scale or manual keyboard weight entry
  - Volume
  - Three configurable user fields
  - Color high resolution images
  - Bounding box images
  - Volumetric conversion
  - Email notification alerts
  - Error logging
- Digital remote I/O configuration for use with PLCs
- Shipping method analyzer for girth and volume analysis thresholds in conjunction with the iDimension SS real-time display desktop application
- Local data storage
- Automatic data export, options include FTP, SFTP, FTPS and SMB configurable
- Data export, including image format composition and annotations available in data export provides output in CSV, JSON, XML and TXT file formats
- QR code display for alternate input into MRP, TMS and WMS systems
- Error logging with high resolution image capture
- Role-based security model protects data and prevents unwanted configuration changes
- Comprehensive application log files available to download
- Forklift database for use with stop and go

*SQLite database maximum size capabilities is dependent upon file system type.*

## System Requirements

- Windows® 10 build 1607 or newer (64-bit only)
- 2.0 GHz processor or faster
- 250 MB hard disk space needed for install
- 8 GB RAM or greater
- Ethernet TCP/IP communication to dimensioning devices plus optional scanners, printers and Rice Lake Weighing 680 and 1280 scale indicators
- Supported web browser (Chrome®, Microsoft Edge®, Firefox®, Safari®)

## Part Numbers/Price

Part #	Description	Price
203010	iDimension App (Available for free download at <a href="http://www.ricelake.com">www.ricelake.com</a> )	N/C
175812	iDimension SS (Software Suite) web server software	\$2,250.00
201447	iDimension SS real-time status display desktop app (Stop and Go)	\$250.00
201448	iDimension SS standalone forklift data management web app (Stop and Go)	\$250.00