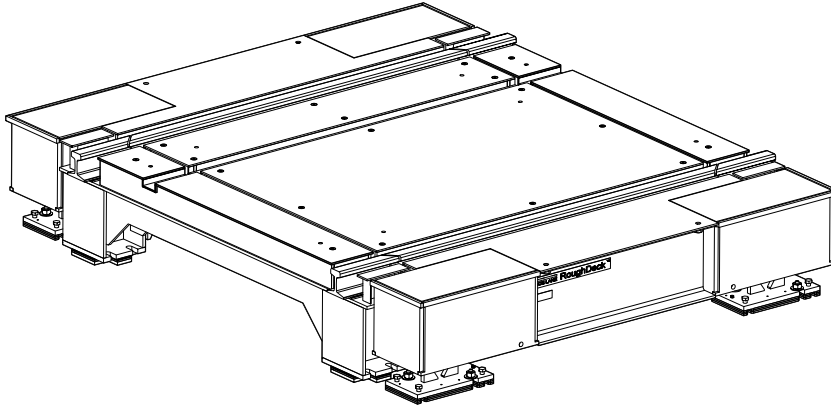


RoughDeck® CS Rail Car

Top-access Coil Scale

FLOOR SCALES



Scale Capacity: _____

Rail Size: _____

Note: Rails to be welded on-site

New Installation or Existing? New Existing

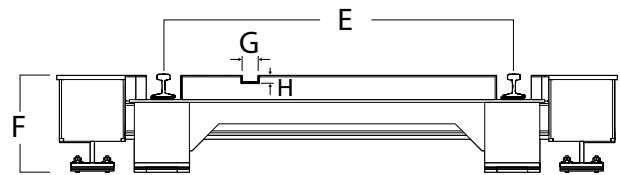
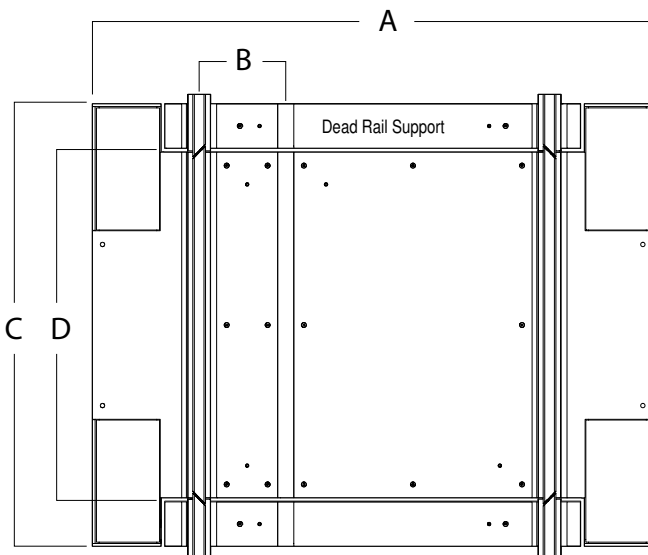
Size of Cart: _____

Size of Wheel Base: _____

Cable Through Required? Yes No

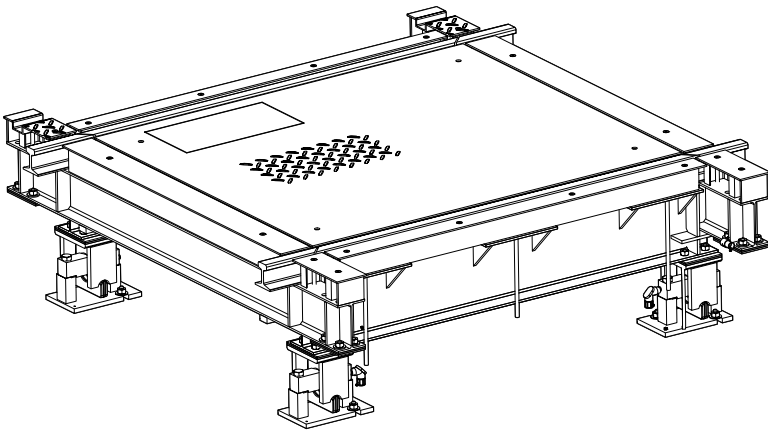
Grout or Shim Installation? Grout Shim

Scale Size	
A (Pit Width)	
B (Rail to Channel On Center)	
C (Pit Opening)	
D (Scale Length)	
E (Rail Width On Center)	
F (Pit Depth)	
G (Cable Channel Width)	
H (Cable Channel Depth)	



RoughDeck® CS Rail Car

Under Beam Mount Coil Scale



FLOOR SCALES

Scale Capacity: _____

Rail Size: _____

Note: Rails to be welded onsite

New Installation or Existing?

New

Existing

Size of Cart: _____

Size of Wheel Base: _____

Grout or Shim Installation?

Grout

Shim

Scale Size	
A (Dead Rail Beam)	
B (Rail Width On Center)	
C (Scale Length)	
D (Pit Opening)	
E (Scale Width)	
F (Pit Depth)	

