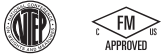




Picture is a representation of actual product

Approvals

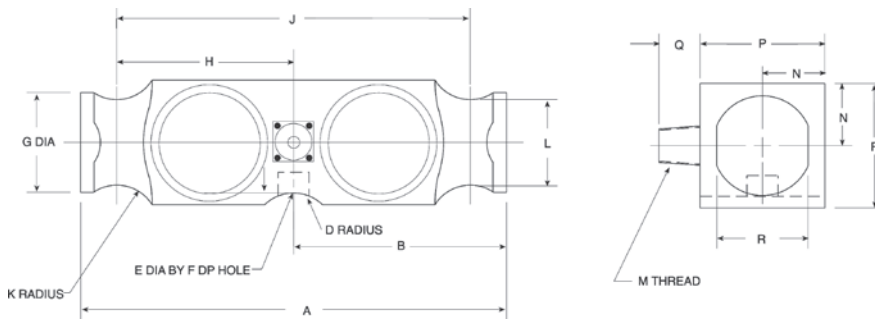


Order Information

Load Rating	Part #	Est. Weight	Price
50,000 lb	21605	22 lb	Consult
65,000 lb	21606	22 lb	Consult
100,000 lb	21607	22 lb	Consult
Overbraided Cable			
50,000 lb	101121	24 lb	Consult
65,000 lb	101122	24 lb	Consult
100,000 lb	101123	24 lb	Consult

Dimensions

Rated Capacity	A	B	D	E	F	G	H	J	K	L	M	N	P	Q	R
50,000 to 65,000	10.25	5.12	1.00	0.75	0.78	2.40	5.13	8.50	1.00	2.06	1/2-14 NPT	1.50	3.00	1.03	2.20
100,000	10.25	5.12	1.00	—	—	2.40	5.13	8.50	1.00	2.06	1/2-14 NPT	1.50	3.00	1.03	2.20



Interchangeable Products

RICE LAKE WEIGHING SYSTEMS
RL75223 page 153
 THURMAN®
TSC 800

Weigh Module Available

RICE LAKE WEIGHING SYSTEMS
Translink™ page 87

Specifications

Full Scale Output:
3.0 mV/V

Output Resistance:
700 (± 7) ohm

Input Resistance:
700 (± 7) ohm

Material/Finish:
High-alloy steel, nickel plated

Temperature:
Compensated range
14 °F to 104 °F (-10 °C to 40 °C)
Operating range
0 °F to 150 °F (-18 °C to 65 °C)

Seal Type:
Welded-seal, IP67

Safe Overload:
150% full scale

Safe Sideload:
100% full scale

Rated Excitation:
5 to 10 VDC (20 V maximum)

Combined Error:
0.025% full scale

Non-repeatability:
0.01% full scale

Insulation Resistance:
5,000 megohm

Deflection at Capacity:
50,000 lb: 0.018 in
65,000 lb: 0.022 in
100,000 lb: 0.034 in

Cable Length:
40 ft

Cable Diameter:
0.295 in
Polyurethane jacket

Cable Color Code:
Red +Excitation
Black -Excitation
Green +Signal
White -Signal

Warranty:
One-year limited

Approvals:
cFMus
NTEP