

Dimensioning

TABLE OF CONTENTS

iDimension® Plus 306
Static Dimensioning System

iDimension® Plus Mobile Cart 309

iDimension® Plus XL / OEM Series 310
Static Dimensioning System

iDimension® PWD System 313
Pallet Weighing and Dimensioning System

iDimension® LTL 315
Pallet Dimensioning System

iDimension® LTL XL 317
Pallet Dimensioning System

iDimension® SS 318
Integration Software

Product names, logos, brands and other trademarks featured or referred to within this publication are the property of their respective trademark holders.

iDimension® Plus

Static Dimensioning System



Standard Features

- Easy to assemble with limited operator training required, up and running in as few as 30 minutes
- Displays dimensions in less than 0.2 seconds
- Requires virtually no special alignment or special handling while placing a package to increase throughput with adjustable scan zone and area of interest
- Includes 7 in (178 mm) USB touchscreen monitor:
 - Displays dimensions, image, status and weight (if scale is directly attached)
 - Initial setup and configuration wizard
 - Access to operator controls and functions
- Dimensions parcels at 0.2 in (5 mm) Legal for Trade accuracy
- Dimensions irregular shaped packages and polybags to 0.5 in NTEP Legal for Trade accuracy using automatic recognition
- Legal for Trade measurements do not determine the minimum and maximum measurement capabilities available

Images:

- Includes low resolution, overhead color image of every item, available in .bmp or .jpg format through XML API integration
- High resolution color image, 2880 × 2160 pixels, available from iDimension Plus 4K

Peripherals:

- Optional powered USB Hub for use of more than one peripheral
- Optional USB barcode scanner with keyboard wedge emulation will manually trigger dimensioning and add barcode text data into web service API
- Rice Lake BenchPro shipping/postal scales and compatible indicators

Specifications

Package Dimensions:

Length: 41 in (1,041 mm)
 Width: 24 in (610 mm)
 Height: 10 in (254 mm)
 Weight: 42 lb (20 kg)

Power Requirements:

Single power source 110-240 V external power supply, US power cord

Object Colors:

All opaque packaging

Measurement Time:

0.2 seconds, scale settling times vary by manufacturer

I/O Ports:

(1) USB A port
 (1) 10/100/1000 Base-T Ethernet port

Software Integration:

API and SDK files available for network device integration

Package Contents:

iDimension Plus, calibration object, USB display and US power cord

Operating Temperature:

32° F to 104° F (0° C to 40° C)

Humidity:

Non-condensing

Warranty:

Two-year limited warranty

Approvals:

NTEP 19-040A2
 CE
 OIML, MID, NMI

Approvals



iDimension Plus Pole Assembly

Model	1.2 m		1.5 m	
Platform Distance	48 in (1,200 mm)		60 in (1,500 mm)	
Min/Max	Min	Max	Min	Max
Length	1.2 in (30 mm)	40 in (1,000 mm)	1.2 in (30 mm)	48 in (1,200 mm)
Width	1.2 in (30 mm)	24 in (600 mm)	1.2 in (30 mm)	32 in (800 mm)
Height	0 in (0 mm)	24 in (600 mm)	0 in (0 mm)	28 in (700 mm)
Division	0.2 in (5 mm)		0.2 in (5 mm)	

Legal for Trade approved minimum and maximum measurements are available from the country specific certificate of approval.

Part Numbers/Price

Part #	Description	Price
iDimension Plus		
Small parcels (1.2m pole)		
204599	iDim Plus 1.2 m pole assembly	\$7,245.00
204600	iDim Plus 4K 1.2 m pole assembly	\$8,845.00
Medium parcels (1.5m pole)		
204596	iDim Plus 1.5 m pole assembly	\$7,245.00
204598	iDim Plus 4K 1.5 m pole assembly	\$8,845.00
iDimension Plus Accessories		
180007	Kit USB Hub, 5 m cable assy, power adapter, 4-port industrial hub, North America power supply	\$280.00
205533	Power cord, detachable, German/French, 5 m	\$45.00
95589	Power cord, detachable, UK, 2.5 m	\$21.00
197896	Software, 880 iRite NCI protocol	N/C
178501	RS-232/USB cable, for use with compatible indicators	\$50.00



DIMENSIONING

Part Numbers/Price

Part #	Description	Price
iDimension Plus Bar code Scanner		
176307	QuickScan QD2131 USB bar code scanner. Keyboard wedge emulation mode only (alpha/numeric)	\$275.00
206225	Honeywell 1981IFR-3USB-5-N long range bar code scanner	\$1,800.00
206228	Honeywell 1981IFR-3USB-5-N power supply scanner	\$75.00
iDimension Plus UPS Worldship Interface		
180771	Kit USB Hub for BenchPro scale and UPS Worldship compatibility. Includes interface cable for RS-232 & USB to computer	\$430.00
Optional Integration Solutions		
203010*	QubeVu Desktop App, Software Keyboard Wedge, Windows 10	N/C
175812	iDimension SS webserver software, Windows 10, for data collection and integration	\$2,250.00
Optional Factory Service and Support		
202027	Level 1 remote support, iDimension Plus configuration and scale setup	\$250.00/Unit
202029	Level 2 remote support, iDimension Plus advanced configuration and software setup	\$450.00/Hour
Extended Warranty – 2 year standard		
202030	iDimension Plus additional 1 year extended warranty	\$750.00
202031	iDimension Plus additional 2 year extended warranty	\$1,500.00
202032	iDimension Plus additional 3 year extended warranty	\$2,250.00
Rice Lake BenchPro Compatible Scales		
Postal Scale 12 × 14 in (305 × 356 mm) Weight Platter		
194625 **	Model BP 1214-35P - 70 lb Postal Scale, Painted Mild Steel Weight Platter	\$625.00
Shipping Scale 12 × 14 in (305 × 356 mm) Weight Platter		
174879	Model BP 1214-75S, 150 × 0.05 lb / 75 × 0.02 kg, Stainless Steel Weight Platter	\$625.00
184585	Model BP 1214-75S, 150 × 0.05 lb / 75 × 0.02 kg Painted Mild Steel Weight Platter	\$625.00
Shipping Scale 18 × 18 in (457 × 457 mm) Weight Platter		
202190	Model BP 1818-75S, 150 × 0.05 lb / 75 × 0.02 kg Roller Conveyor Weight Platter	\$1,650.00
201730	Model BP 1818-75S, 150 × 0.05 lb / 75 × 0.02 kg Ball Top Weight Platter	\$1,835.00
202191	Model BP 1818-75S, 150 × 0.05 lb / 75 × 0.02 kg, Painted Mild Steel Weight Platter	\$1,490.00
Shipping Scale 20 × 20 in (508 × 508 mm) Weight Platter		
182396	Model BP 2020-150S, 300 × 0.1 lb /150 × 0.05 kg, Painted Mild Steel Weight Platter	\$1,670.00
182397	Model BP 2020-150S, 300 × 0.1 lb /150 × 0.05 kg, Ball Top Weight Platter	\$2,035.00
182398	Model BP 2020-150S, 300 × 0.1 lb /150 × 0.05 kg, Roller Conveyor Weight Platter	\$1,930.00
Shipping Scale 24 × 24 in (610 × 610 mm) Weight Platter		
182400	Model BP 2424-150S, 300 × 0.1 lb /150 × 0.05 kg, Painted Mild Steel Weight Platter	\$1,840.00
182401	Model BP 2424-150S, 300 × 0.1 lb /150 × 0.05 kg, Ball Top Weight Platter	\$2,240.00
182402	Model BP 2424-150S, 300 × 0.1 lb /150 × 0.05 kg, Roller Conveyor Weight Platter	\$2,130.00

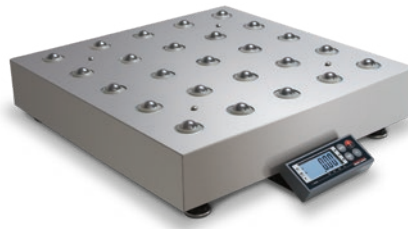
*Available for free download at www.ricelake.com **USB HID interface not available when in the Postal Scale lb/oz mode



Model BP 1214-S with mild steel shroud



Model BP 1214-S with stainless steel shroud



Model BP 1818-S with ball top shroud



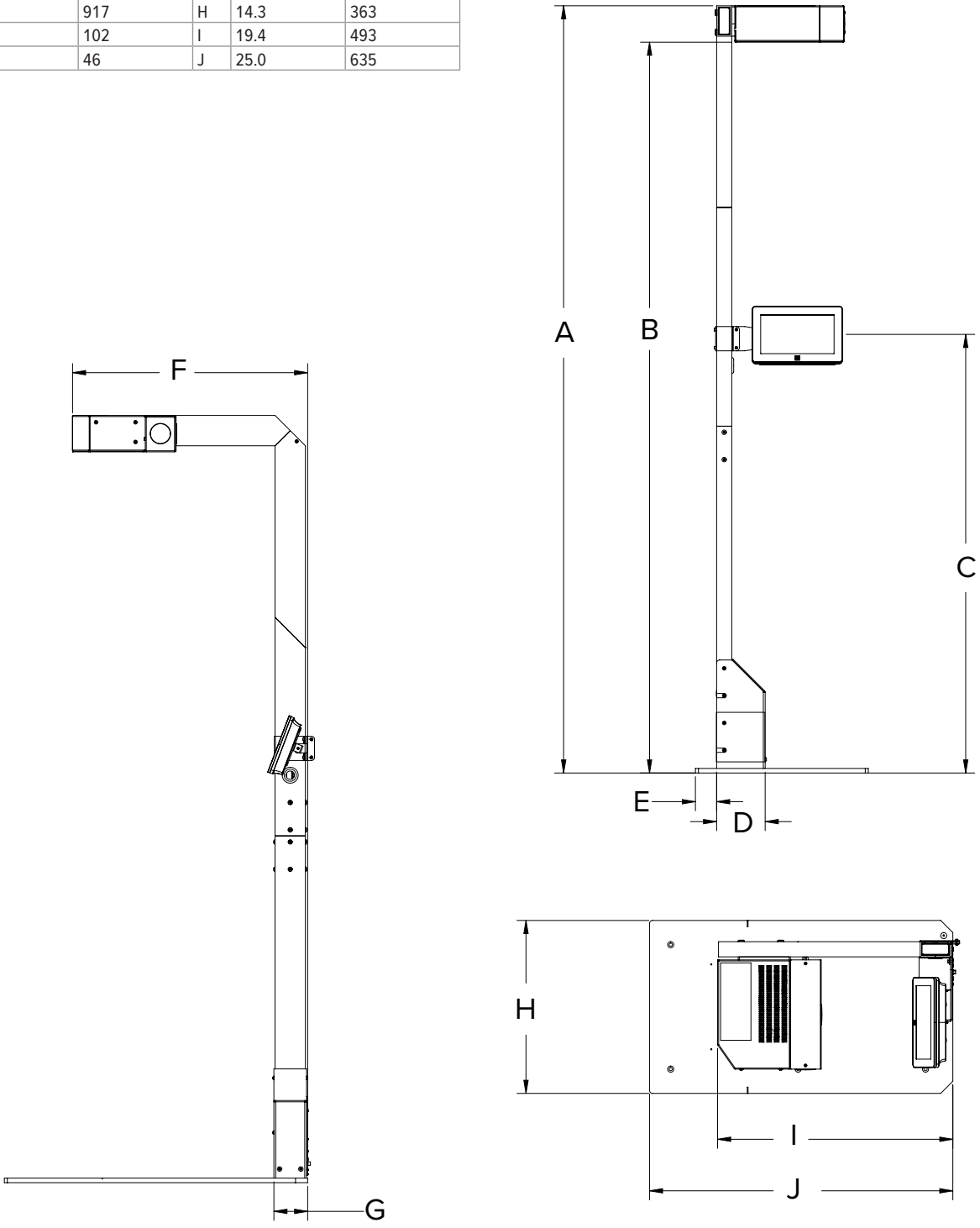
Model BP 2424-S with roller conveyor weight platter

iDimension® Plus

Static Dimensioning System

Dimensions

	Inches	Millimeters		Inches	Millimeters
A	63.2	1,605	F	19.4	493
B	60.2	1,529	G	2.8	71
C	36.1	917	H	14.3	363
D	4.0	102	I	19.4	493
E	1.8	46	J	25.0	635



DIMENSIONING

iDimension® Plus Mobile Cart

Mobile Parcel System



Standard Features

- PowerSwap Nucleus Lithium Power System is a plug and play power system, no tools, heavy lifting or maintenance personnel required for battery charges
- Enhance speed and data collection for the optimization of warehouse space, truck/trailer loads and identifying best packaging solutions
- Dimension directly at product location; increase productivity up to 50% by eliminating costly motion, touches and transportation time
- Reduce operator fatigue and potential injury as carrying/moving parcels to fixed stations is eliminated
- 30% increase in pick rates; quickly process increased volume due to business growth, seasonal peaks & more
- All iDimension Plus Mobile carts come standard with one top shelf, push handle with laptop shelf, waste basket, 6 in x 2 in rubber wheels with 2 locking casters, integrated power system and power strip.
- Select your cart size, then your power system

New Castle Atlas Cart Specifications

Dimensions (L x W x H):

30 in (762 mm) long unit: 49 in x 26 in x 33 in (1,245 mm x 660 mm x 838 mm)
 48 in (1,219 mm) long unit: 56.5 in x 26 in x 33 in (1,435 mm x 660 mm x 838 mm)
 96.5 in (2,451 mm) overall height with iDimension Plus Series 1.5M pole assembly mount

Shelf Dimensions (L x W):

Laptop Shelf: 21 in x 12 in (533 mm x 305 mm)
 30 in (762 mm) long shelf: 30 in x 24 in (762 mm x 610 mm)
 48 in (1,219 mm) long shelf: 56.5 in x 26 in x 33 in (1,435 mm x 660 mm x 838 mm)

Color:

Black powder coat

Overall Cart Capacity:

125 lb (57 kg), not including iDimension plus and scale

Battery Specifications

Model:

PP12

Typical Devices powered for 8 hour shift:

Laptop, iDimension Plus and scale

Charge Time:

8 hours SLA

PowerSwap Nucleus Lithium Power System

Number of Batteries:

One or two

Continuous Output Power (W):

120 @ 1 battery, 240 @ 2 batteries

Approximate Charging Time:

8 Hours

For more detailed battery specifications, see our website

Part Numbers/Price

Part #	Description	Est. Weight	Price
iDimension Plus Mobile Cart No Power Source - Add a power source to complete system			
203934*	30 in (762 mm) Long Atlas Series Cart	310 lb	\$5,295.00
203935*	48 in (1,219 mm) Long Atlas Series Cart	330 lb	\$5,895.00
Power Swap Nucleus Lithium Power System, 120 Volt			
212177	Dual Battery Charging System. Kit includes: dual pocket docking station, dual pocket charging station and 2 batteries		\$6,295.00
212179	Single Battery Charging System. Kit includes: single pocket docking station, dual pocket charging station and 1 battery		\$4,395.00
Stand Alone Sealed Lead Acid Power System, 120 Volt			
212180	PowerPack Mega Series PP12 sealed lead acid		\$2,270.00
iDimension Plus Mobile Replacement Parts			
200191	2 Bay Charging station, model PWC-2	N/A	\$1,995.00
200192	Lithium Iron Phosphate 36Ah battery, Model PSNU3.6	N/A	\$1,800.00

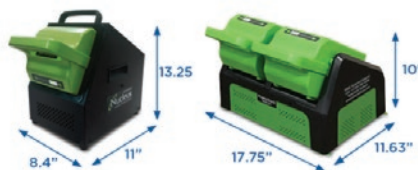
See iDimension Plus Catalog Page for selection of dimensioning device and options

Rice Lake Weighing System recommends using only the BenchPro Model BP1214 due to the overall cart capacity

* Choose power system to complete the solution



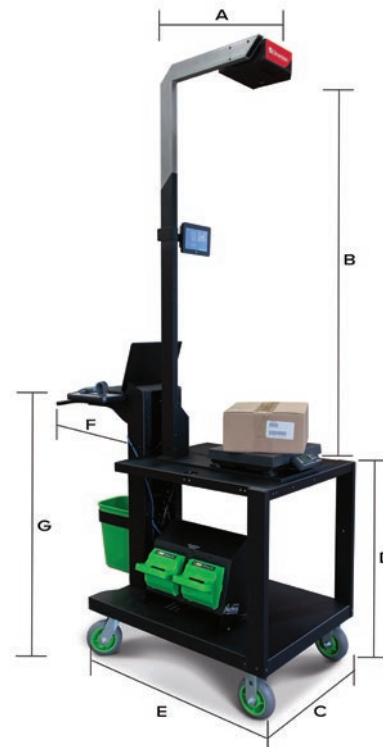
Sealed Lead Acid (SLA)



PowerSwap Nucleus Lithium Power System
Single and Dual Pocket Docking Stations

Dimensions

	Inches	Centimeters
A	27.0	68.9
B	63.5	161.3
C	26.0	66.0
D	33.0	83.8
E	49.0 or 67.0	124.5 or 170.2
F	12.0	30.5
G	20 - 44 (adjustable shelf)	50.8 - 111.8 (adjustable shelf)



DIMENSIONING

iDimension® Plus XL / OEM Series

Static Dimensioning System



Shown with optional stand, conveyor not included

Standard Features

- Easy assembly with limited operator training required; up and running within 30 minutes
- Displays dimensions in less than 0.2 seconds
- Requires virtually no special alignment or special handling while placing a package to increase throughput with adjustable scan zone and area of interest
- Includes 7 in (178 mm) USB touchscreen monitor:
 - Displays dimensions, live overhead image, status and weight if scale is directly attached
 - Initial setup and configuration wizard
 - Access to operator controls and functions
- Dimensions parcels at 0.2 in (5 mm) Legal for Trade accuracy
- Dimensions irregular-shaped packages and polybags to 0.5 in NTEP Legal for Trade accuracy using automatic recognition
- Legal for Trade measurements do not determine the minimum and maximum measurement capabilities available

Images:

- Included low resolution color image captures overhead photo of every item, available in .bmp or .jpg format through XML API integration
- High resolution color image, 2880 × 2160 pixels, available from iDimension Plus 4K

Peripherals:

- Optional powered USB Hub for use of more than one peripheral
- Optional USB barcode scanner with keyboard wedge emulation will manually trigger dimensioning and add barcode text data into web service API.
- Rice Lake BenchPro shipping/postal scales and compatible indicators

Options

- iDimension XL mounting hardware and cable assy kit. Includes sensor mounting bracket, 25 ft US power cord and 2 10 ft USB Type A extension cables
- USB display ram mount kit
- Floor mount stand assembly

Specifications

Package Dimensions:

Length: 26 in (660 mm)
Width: 15 in (381 mm)
Height: 8 in (203 mm)
Weight: 25 lb (12 kg)

Power Requirements:

Single power source 110-240 V external power supply, US power cord

Object Colors:

All opaque packaging

Measurement Time:

0.2 seconds (scale settling times vary by manufacturer)

I/O Ports:

(3) USB type A port (scale, USB display, bar code scanner)
(1) 10/100/1000 Base-T Ethernet port (interface to PC)

Software Integration:

API and SDK files available for network device integration

Package Contents:

iDimension Plus XL sensor, mounting bracket, USB display, calibration object, DC power supply

Operating Temperature:

32° F to 104° F (0° C to 40° C)

Humidity:

Non-condensing

Warranty:

Two-year limited warranty

Approvals:

NTEP 19-076A2
CE
OIML, MID, NMI

Approvals



iDimension Plus XL

Model	XL at 1.2 m		XL at 1.5 m		XL at 2 m	
Platform Distance	48 in (1,200 mm)		60 in (1,500 mm)		80 in (2,000 mm)	
Min/Max	Min	Max	Min	Max	Min	Max
Length	1.2 in (30 mm)	40 in (1,000 mm)	1.2 in (30 mm)	48 in (1,200 mm)	8 in (203 mm)	48 in (1,200 mm)
Width	1.2 in (30 mm)	24 in (600 mm)	1.2 in (30 mm)	32 in (800 mm)	8 in (203 mm)	32 in (800 mm)
Height	0 in (0 mm)	24 in (600 mm)	0 in (0 mm)	28 in (700 mm)	4 in (102 mm)	32 in (800 mm)
Division	0.2 in (5 mm)		0.2 in (5 mm)		0.5 in (10 mm)	

Legal for trade approved minimum and maximum measurements are available from the country specific certificate of approval.

Part Numbers/Price

Part #	Description	Price
iDimension Plus XL		
204601	iDimension Plus XL	\$5,295.00
204602	iDimension Plus XL 4K	\$7,345.00
iDimension Plus XL Mounting Options		
174660	iDim XL floor stand with packaging	\$1,400.00
198708	XL Mounting Hardware and Cable Assy Kit with 25 ft North American power cord	\$175.00
206583	XL Mounting Hardware and Cable Assy Kit without power cord	\$175.00
184262	iDimension USB operator display RAM mount kit	\$145.00

DIMENSIONING

iDimension® Plus XL / OEM Series

Static Dimensioning System

Part Numbers/Price

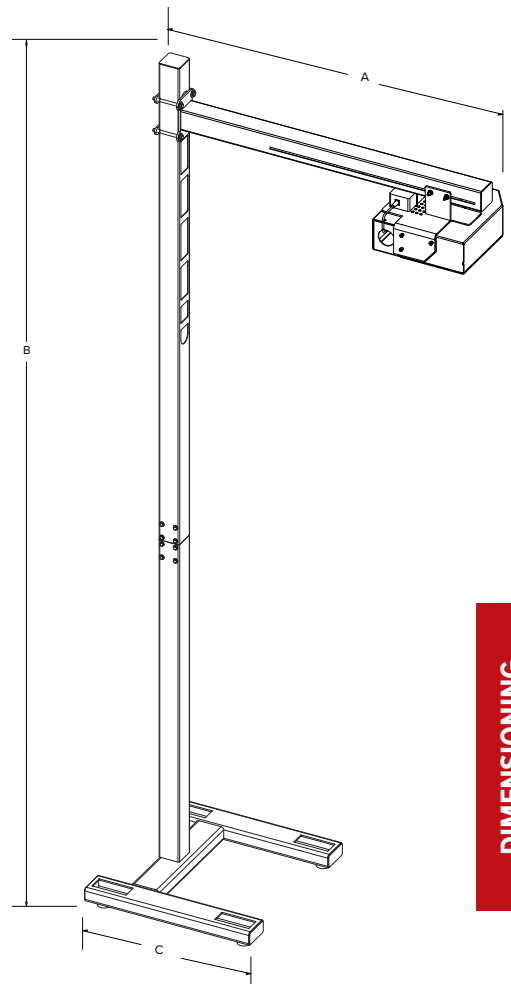
Part #	Description	Price
iDimension Plus XL Accessories		
180007	Kit USB Hub, 5m cable assy, power adapter , 4 port industrial hub, North America power supply	\$280.00
205533	Power cord, detachable, German/French, 5 m	\$45.00
95589	Power cord, detachable, UK, 2.5 m	\$21.00
197896	Software, 880 iRite NCI protocol	N/C
178501	RS-232/USB cable, for use with compatible indicators	\$50.00
iDimension Plus Barcode Scanner		
176307	QuickScan QD2131 USB bar code scanner. Keyboard wedge emulation mode only (alpha/numeric)	\$275.00
206225	Honeywell 19811FR-3USB-5-N long range barcode scanner	\$1,800.00
206228	Honeywell 19811FR-3USB-5-N power supply scanner	\$75.00
iDimension Plus UPS Worldship Interface		
180771	Kit USB Hub for BenchPro Scale and UPS worldship compatibility. Includes interface cable for RS-232 & USB to PC	\$430.00
Integration Solutions		
203010*	QubeVu Desktop app, software keyboard wedge, Windows 10	N/C
175812	iDimension SS webserver software, Windows 10, for data collection and integration	\$2,250.00
Optional Factory Service and Support		
202027	Level 1 remote support, iDimension Plus configuration and scale setup	\$250.00/Unit
202029	Level 2 remote support, iDimension Plus advanced configuration and software setup	\$450.00/ Hour
Extended Warranty – 2 year standard		
202030	iDimension Plus additional 1 year extended warranty	\$750.00
202031	iDimension Plus additional 2 year extended warranty	\$1,500.00
202032	iDimension Plus additional 3 year extended warranty	\$2,250.00
Rice Lake BenchPro Compatible Scales		
Postal Scale 12 × 14 in (305 × 356) Weight Platter		
194625 **	Model BP 1214-35P - 70 lb postal Scale, painted mild steel weight platter	\$625.00
Shipping Scale 12 × 14 in (305 × 356 mm) Weight Platter		
174879	Model BP 1214-75S, 150 × 0.05 lb / 75 × 0.02 kg, stainless steel weight platter	\$625.00
184585	Model BP 1214-75S, 150 × 0.05 lb / 75 × 0.02 kg painted mild steel weight platter	\$625.00
Shipping Scale 18 × 18 in (457 × 457 mm) Weight Platter		
202190	Model BP 1818-75S, 150 × 0.05 lb / 75 × 0.02 kg roller conveyor weight platter	\$1,650.00
201730	Model BP 1818-75S, 150 × 0.05 lb / 75 × 0.02 kg ball top weight platter	\$1,835.00
202191	Model BP 1818-75S, 150 × 0.05 lb / 75 × 0.02 kg, painted mild steel weight platter	\$1,490.00
Shipping Scale 20 × 20 in (508 × 508 mm) Weight Platter		
182396	Model BP 2020-150S, 300 × 0.1 lb /150 × 0.05 kg, painted mild steel weight platter	\$1,670.00
182397	Model BP 2020-150S, 300 × 0.1 lb /150 × 0.05 kg, ball top weight platter	\$2,035.00
182398	Model BP 2020-150S, 300 × 0.1 lb /150 × 0.05 kg, roller conveyor weight platter	\$1,930.00
Shipping Scale 24 × 24 in (610 × 610 mm) Weight Platter		
182400	Model BP 2424-150S, 300 × 0.1 lb /150 × 0.05 kg, painted mild steel weight platter	\$1,840.00
182401	Model BP 2424-150S, 300 × 0.1 lb /150 × 0.05 kg, ball top weight platter	\$2,240.00
182402	Model BP 2424-150S, 300 × 0.1 lb /150 × 0.05 kg, roller conveyor weight platter	\$2,130.00

* Available for free download at www.ricelake.com

**USB HID interface not available when in the Postal Scale lb/oz mode

Optional iDimension Plus XL Floor Mount Stand Assembly Dimensions

	Inches	Millimeters
A	47.34	1,202
B	123.13	3,128
C	24.21	615



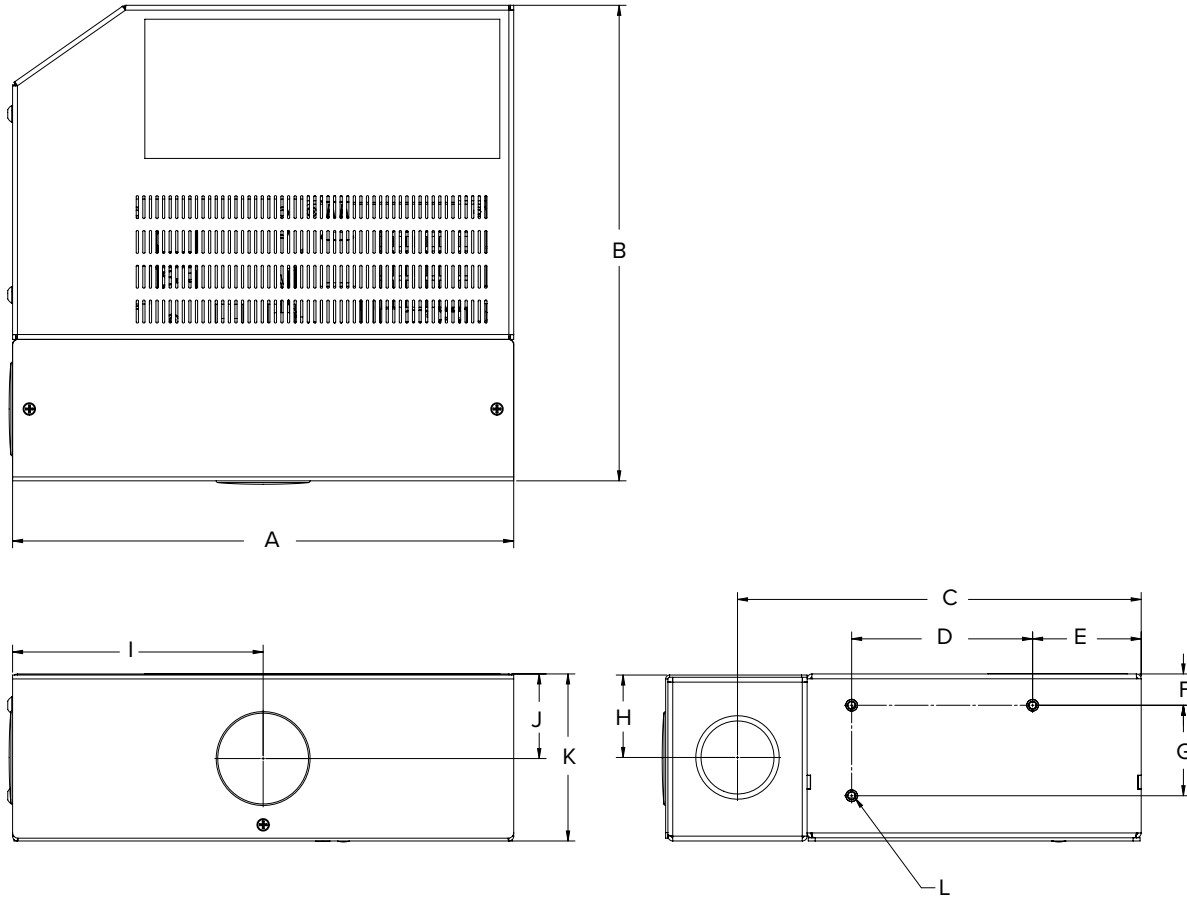
DIMENSIONING

iDimension® Plus XL / OEM Series

Static Dimensioning System

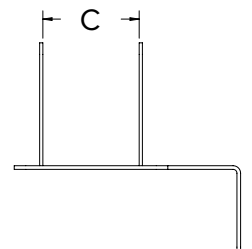
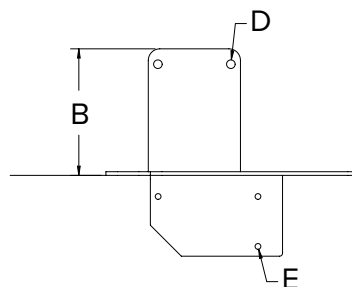
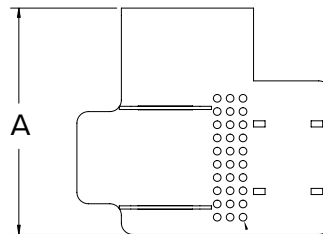
Dimensions - iDimension Plus XL Scanning Head Assembly

	Inches	Millimeters	Inches	Millimeters	Inches	Millimeters
A	9.0	229	F	0.6	K	3.0
B	8.5	216	G	1.6	L	M4 × 0.7 threaded hole
C	7.2	183	H	1.5		
D	3.3	84	I	4.5		
E	2.0	51	J	1.5		



Dimensions - iDimension XL Mounting Bracket - PN 198708

	Inches	Millimeters
A	7.369	187
B	4.119	105
C	3.135	80
D	2x Ø.280	
E	3x Ø.188	



DIMENSIONING

iDimension® PWD System

Pallet Weighing and Dimensioning System



Approvals



Part Numbers/Price

Part #	Description	Price
System		
199318**	iDimension PWD System, NTEP approved with 5,000 × 1lb capacity floor scale	\$32,450.00
System Options		
200168	2.4 mm POE network camera – up to 1 optional	\$875.00
199665	iDimension PWD pallet jack ramp	\$945.00
199666	Optional 5th overhead sensor	\$2,095.00
206229	Honeywell long range TCP/IP scanner kit for use with iDimension SS Software	\$2,695.00
202525	2.4 mm POE network camera with varifocal lens, up to 1 optional	\$795.00
198539	Cable, 4-wire patch M12 Ethernet, 10 meters	\$95.00
199818	5-wire micro DC cordset, 20 meters	\$225.00
206304	PWD kiosk printer & scanner mount	Consult
202141	Assy spider j-box, network & power switch	Consult
Optional Integrated Solutions		
203010*	QubeVu Desktop App, software keyboard wedge, Windows 10	N/C
175812	iDimension SS webserver software, Windows 10, for data collection and integration	\$2,250.00
Optional Factory Service and Support		
194215	Annual software maintenance	Consult
171666	iDimension field install and training/day, travel and expenses not included	\$1,395.00
Extended Warranty – 2 year standard		
202033	iDimension PWD/LTL additional 1 year extended warranty	\$1,200.00
202034	iDimension PWD/LTL additional 2 year extended warranty	\$2,400.00
202035	iDimension PWD/LTL additional 3 year extended warranty	\$3,600.00

* Available for free download at www.ricelake.com

**Wall mount, over the conveyor, pole mounted and ceiling models available upon request. Requires dimensions and images of mounting location prior to shipment. Requires knowledge on use of forklift or pallet jack prior to ordering.

Standard Features

Versatile Uses

iDimension PWD is capable of measuring pallets up to six feet (1,829 mm) cubed—or packages as small as six inches (152 mm)

Convenient Pallet Tare Mode

For non-Legal for Trade applications, iDimension PWD can measure objects on a pallet by excluding the pallet from the measurement.

Easy Network Integration

The iDimension PWD is designed to easily transfer images and dimensions to a network, simplifying claims processes. Built with a web service interface, iDimension PWD offers simple integration using configurable capture definitions through HTTP requests, status checking and XML parsing.

Quick, Simple Installation

In less than a day, the iDimension PWD can be set up, configured and put to work

Options

High Resolution Camera

Capture an image of each piece of freight to provide proof of condition to simplify the freight damage claim process. Produces a color image at 2688 × 1606 pixels.

Wireless Barcode Scanner

Optional long range wireless barcode scanners available to trigger the iDimension PWD

Access Ramps

One or two side-mounted ramps provide access for pallet jacks

Overhead 5th Sensor

Increases performance when dimensioning highly reflective and IR sensitive pallet shrink wrap material and small protrusion located on top of freight pallets

Software Programs

QubeVu Desktop for use as a software keyboard wedge, entering weight and dimensions into application fields. iDimension SS for storing data and images transferring data to ERP and WMS systems

Specifications

Legal for Trade Measurement Range (L × W × H):

Maximum freight size:
72 in × 72 in × 72 in
(1,829 mm × 1,829 mm × 1,829 mm)
Minimum freight size:
6 in × 6 in × 6 in (152 mm × 152 mm × 152 mm)

Measurement Increment:

0.5 in (1 cm)

Performance Characteristics:

Most surfaces are captured; transparent/translucent and glossy surfaces may provide a variance

Item Placement:

Single pallet centered on the floor scale for best performance

Minimum Pallet Height:

4.25 in (108 mm) wood pallets

Shapes:

Solid shapes (3-inch (76 mm) protrusions or more) will be included in dimensions

Lighting Conditions:

Operates in any indoor lighting environment

System Contents:

iDimension PWD
Calibration object
12 in × 12 in × 12 in (305 mm × 305 mm × 305 mm)
test box

Power Requirements:

Single power source (96-264 VAC)
with 25 ft (7.62 m) power cable

Optional Network Camera:

Wide angle POE network color camera with 3-axis camera angle adjustment. IP24 rating. Standard 2688 × 1606 pixels @ 751kb standard output in .jpeg format. Configurable for time and date, scan ID, system serial #, dimensions and dimensional indicators

Operating Temperature:

14°F to 104°F (-10°C to 40°C)

Humidity:

0-90% non-condensing

Warranty:

Two-year limited warranty
Five-year limited warranty, sensors only

Packaging Dimensions:

Crate 1: 103 × 75 × 27 in (2,616 × 1,880 × 676 mm)
Crate 2: 101 × 74 × 34 in (2,565 × 1,880 × 864 mm)
Crate 1 weight: 1,715 lb
Crate 2 weight: 900 lb

Approvals:

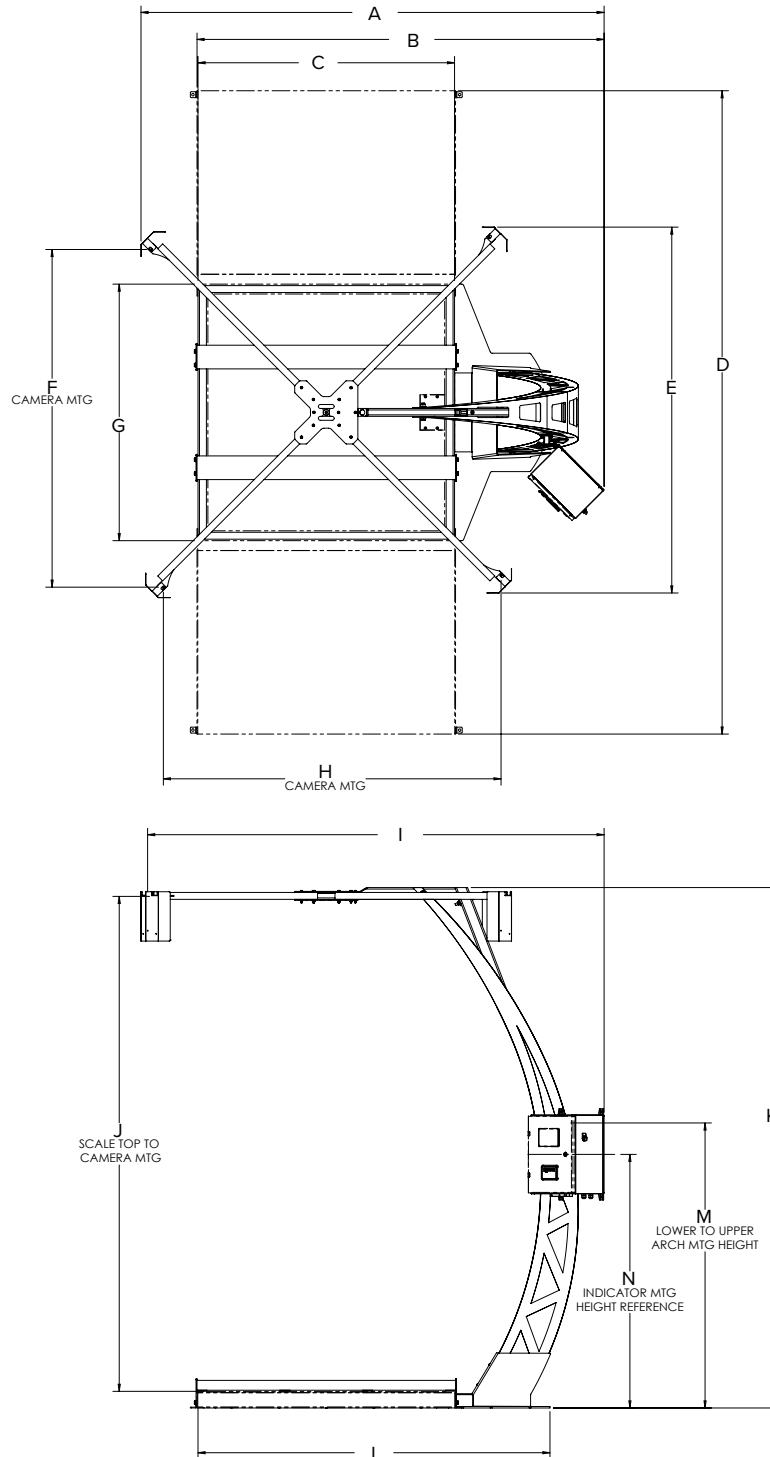
NTEP 19-076A2

iDimension® PWD System

Pallet Weighing and Dimensioning System

Dimensions

	Inches	Millimeters	Inches	Millimeters	Inches	Millimeters
A	117.34	2,980	F	85.56	K	131.86
B	103.14	2,620	G	65.00	L	89.18
C	65.00	1,651	H	85.56	M	72.22
D	163.00	4,140	I	115.66	N	64.25
E	92.70	2,355	J	125.41		



DIMENSIONING



Standard Features

- Legal for Trade measurement range for maximum freight size at 96 × 96 × 96 in (2,438 × 2,438 × 2,438 mm) and minimum freight size at 12 × 12 × 12 in (305 × 305 × 305 mm) with 0.5 in (13 mm) accuracy
- 360-degree access for easy pallet placement in the center of target zone
- No moving parts, solid-state design
- Minimal set up and training required
- Up to four low-resolution intensity images provide a bounding box to identify measurement recorded and can be configured to include time and date, scan ID, serial number, dimensions and dimensioning indications

Options

- Up to two high-resolution cameras enable freight identification, damage assessment and tracking
- LED lighting kit reflects a light grid on the floor, eliminating the need to paint, etch or tape the dimensioning zone

- 23 in forklift operator display provides instantaneous feedback to the forklift or pallet jack operator, communicating dimensions and system status
- iDimension SS provides a customizable GUI and triggering methods, storage, logging and transfer of shipment and dimensional data and FTP images to existing ERP, TMS and WMA without the use of the iDimension web service interface API
- iDimension SS can be used to integrate the iDimension LTL with barcode scanners, floor scales forklift scales, and printers to easily integrate with ERP/MRP/WMS software
- Stop/go motion detection. Forklift operator performance improves using stop & go.

Specifications

Legal for Trade Measurement Range:

Maximum freight size: (L × W × H)
96 × 96 × 96 in (2,438 × 2,438 × 2,438 mm)
Minimum freight size: (L × W × H)
12 × 12 × 12 in (305 × 305 × 305 mm)

Measurement Increment:

0.5 in (10 mm)

Dimensioning Speed:

Within 2 seconds from the time the target area is clear and the iDimension LTL has been triggered to scan

Performance Characteristics:

Most surfaces are captured, including black plastic shrink wrap. Transparent/translucent and glossy surfaces may provide a variance.

Stop & Go Measurement Performance Characteristics:

For maximum pixel coverage and best performance, when measuring highly reflective objects use the iDimension LTL Drop and Clear triggering method

Item Placement:

Single pallet within the center of the target zone for best performance

Minimum Pallet Height:

4.25 in (108 mm) wood pallets

Unobstructed Floor Space:

For best performance, provide a 11 ft × 11 ft area clear of walls, inventory racks or barriers

Minimum Ceiling Height:

12.75 ft

Shapes:

Solid shapes, (3-inch protrusions or more) will be included in dimensions

Lighting Conditions:

Operates in any indoor lighting environment

Power Requirements:

Single power source (96-264 VAC), with 25 ft power cable

Optional Network Camera:

2.4 mm fixed POE network color camera with 3-axis camera angle adjustment. IP24 rating. Standard 2688 × 1606 pixels, 96 dpi @ 751kb standard output in .jpeg format. Configurable for time and date, scan ID, system serial #, dimensions and dimensional indicators.

Operating Temperature:

14°F to 104°F (-10°C to 40°C)

Humidity:

0-90% non-condensing

Warranty:

Two-year limited warranty
Five-year limited warranty, sensors only

Approvals:

NTEP 19-076A2

Approvals



Part Numbers/Price

Part #	Description	Price
Systems		
194205	iDimension LTL	\$49,795.00
System Options		
188755	2.4 mm POE network camera – up to 2 optional	\$875.00
194206	iDimension LTL LED target zone light kit	\$1,795.00
193830	21.5 in commercial forklift operator monitor display kit commercial option	\$2,995.00
206543	iDim LTL light tree kit	\$1,280.00
206229	Honeywell long range TCP/IP scanner kit for use with iDimension SS Software	\$2,695.00
174132	50 ft AC power cord	\$45.00
176019	20 × 20 × 20 in sanalite test box	\$545.00
Mounting Options		
194208	80/20 ceiling mount kit, 45 degree install (25 ft ceiling max)	\$3,295.00
188446	80/20 ceiling mount kit (25 ft ceiling max)	\$2,995.00
206007	iDimension LTL install bracing, for ceilings 18-25 ft	\$420.00
188757	Aircraft wire ceiling mounting kit (35 ft ceiling max)	\$1,795.00
PC Options		
205073	JLT mobile PC and mount kit hardware, Windows 10	\$6,500.00
202214	JLT mobile PC overhead mounting kit on iDimension LTL	\$215.00
174659	JLT mobile PC stand and guard rail kit	\$1,250.00
201558	JLT Flash 64GB Cfast, iDimension SS 5,000 record storage	\$750.00
Optional Integration Solutions		
203010**	QubeVu Desktop App, software keyboard wedge, Windows 10	N/C
175812	iDimension SS webserver software, Windows 10, for data collection and integration	\$2,250.00
201447	iDimension SS real-time status display desktop app (Stop & Go)	\$250.00
201448	iDimension SS standalone forklift data management web app (Stop & Go)	\$250.00
197896	Software, 880 iRite NCI protocol	\$395.00
iDimension LTL Stop and Go		
198480	Stop and GO activation license key	Consult
198106	Universal Class II forklift carriage 34" Stop and GO reflector plate, 21" marker mount height	Consult
193858	CLS forklift scale Stop and GO reflector plate	\$145.00
206315	Shipping crate, up-to 20 reflector plate kits	Consult
Optional Factory Service and Support		
194215	Annual software maintenance	Consult
171666	iDimension field install and training/day, travel and expenses not included	\$1,395.00

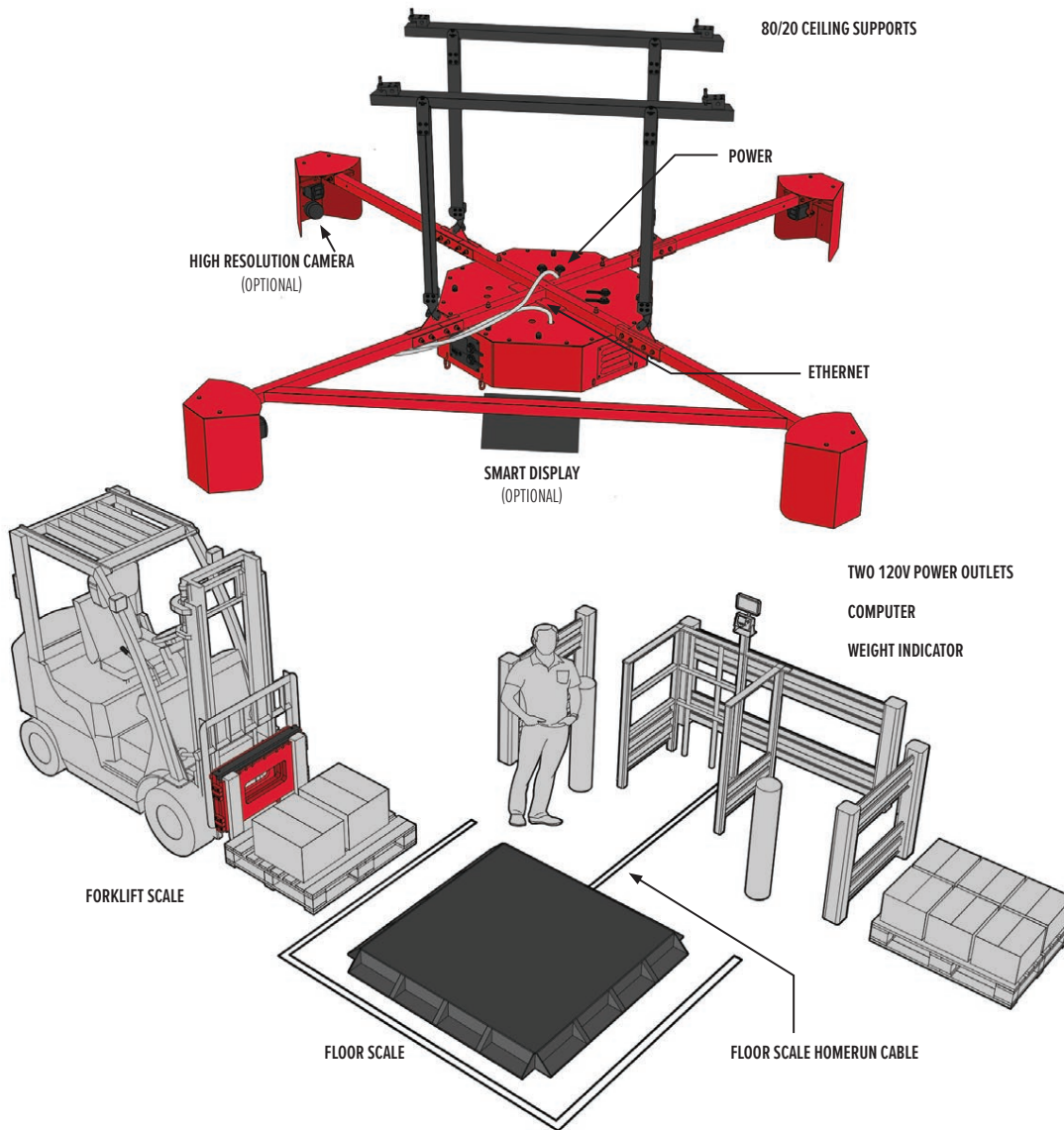
iDimension® LTL

Pallet Dimensioning System

Part Numbers/Price

Part #	Description	Price
Extended Warranty – 2 year standard		
202033	iDimension PWD/LTL additional 1 year extended warranty	\$1,200.00
202034	iDimension PWD/LTL additional 2 year extended warranty	\$2,400.00
202035	iDimension PWD/LTL additional 3 year extended warranty	\$3,600.00
Replacement Parts		
174374	JLT mobile PC AC power adapter and cord	\$135.00
175621	USB 2.0/ Ethernet adapter (USB A to RJ45)	\$50.00
184197	20 × 20 × 20 in wooden test box	\$40.00
196158	iDimension LTL & 400 plus calibration object	\$395.00

*Requires factory support and training on first installation of iDimension LTL
 ** Available for free download at www.ricelake.com



System Overview

DIMENSIONING



Standard Features

- Access for easy pallet placement in the center of target zone
- No moving parts and solid-state design
- Minimal setup and training required
- Up to six low-resolution intensity images provide a bounding box to identify measurement recorded and can be configured to include time and date, scan ID, serial number, dimensions and dimensioning indications

Options

- Up to two high-resolution cameras enable freight identification, damage assessment and tracking
- LED lighting kit reflects a light grid on the floor, eliminating the need to paint, etch or tape the dimensioning zone

- 21.5-inch forklift operator display provides instantaneous feedback to the forklift or pallet jack operator, communicating dimensions and system status
- iDimension SS provides a customizable GUI and triggering methods, storage, logging and transfer of shipment and dimensional data and ftp images to existing ERP, TMS and WMA without the use of the iDimension web service interface API
- iDimension SS can be used to integrate the iDimension LTL with bar code scanners, floor scales, forklift scales and printers to easily integrate with ERP/MRP/WMS software
- Stop & Go motion detection. Forklift operator performance improves using stop & go

Approvals



Part Numbers/Price

Part #	Description	Price
Systems		
202974	iDimension LTL XL	\$57,995.00
System Options		
205285	2.4 mm POE network camera – up to 2 optional	\$875.00
195284	iDimension LTL LED target zone light kit	\$1,795.00
205286	21.5 in commercial forklift operator monitor display kit commercial option	\$2,995.00
176019	20 × 20 × 20 in sanalite test box	\$545.00
206543	iDim LTL light tree kit	\$1,280.00
174132	50 ft AC power cord	\$45.00
Mounting Options		
205283	80/20 S & G ceiling mount kit (25 ft ceiling max)	\$3,295.00
206007	iDimension LTL install bracing, for ceilings 18-25 ft	\$420.00
188757	Aircraft wire ceiling mounting kit (35 ft ceiling max)	\$1,795.00
PC Options		
205073	JLT mobile PC and mount kit hardware, Windows 10	\$6,500.00
205287	JLT mobile PC overhead mounting kit on iDimension LTL	\$215.00
174659	JLT mobile PC stand and guard rail kit	\$1,250.00
201558	JLT Flash 64GB Cfast, iDimension SS 5,000 record storage	\$750.00
Optional Integration Solutions		
203010**	QubeVu Desktop App, software keyboard wedge, Windows 10	N/C
175812	iDimension SS webserver software, Windows 10, for data collection and integration	\$2,250.00
201447	iDimension SS real-time status display desktop app (Stop & Go)	\$250.00
201448	iDimension SS standalone forklift data management web app (Stop & Go)	\$250.00
206229	Honeywell long range TCP/IP scanner kit for use with iDimension SS Software	\$2,695.00
iDimension LTL Stop and Go		
198480	Stop and GO activation license key	Consult
198106	Universal Class II forklift carriage 34" Stop and GO reflector plate	\$345.00
193858	CLS forklift scale Stop and GO reflector plate	\$145.00
Optional Factory Service and Support		
194215	Annual software maintenance	Consult
171666	iDimension field install and training/day, travel and expenses not included	\$1,395.00
Extended Warranty – 2 year standard		
202033	iDimension PWD/LTL additional 1 year extended warranty	\$1,200.00
202034	iDimension PWD/LTL additional 2 year extended warranty	\$2,400.00
202035	iDimension PWD/LTL additional 3 year extended warranty	\$3,600.00
Replacement Parts		
174374	JLT Mobile PC AC power adapter and cord	\$135.00
175621	USB 2.0/ Ethernet adapter (USB A to RJ45)	\$50.00
184197	20 × 20 × 20 in wooden test box	\$40.00
196158	iDimension LTL & 400 plus calibration object	\$395.00

*Requires factory support and training on first installation of iDimension LTL

** Available for free download at www.ricelake.com

Specifications

Legal for Trade Measurement Range:

Maximum freight size: (L × W × H)
144 × 96 × 96 in (3,658 × 2,438 × 2,438 mm)
Minimum freight size: (L × W × H)
12 × 12 × 12 in (305 × 305 × 305 mm)

Measurement Increment:

0.5 in (10 mm)

Dimensioning Speed:

Within 2 seconds from the time the target area is clear and the iDimension LTL XL has been triggered to scan

Performance Characteristics:

Most surfaces are captured, including black plastic shrink wrap. Transparent/translucent and glossy surfaces may provide a variance.

Stop & Go Measurement Performance Characteristics:

For maximum pixel coverage and best performance, when measuring highly reflective objects use the iDimension LTL Drop and Clear triggering method

Item Placement:

Single pallet within the center of the target zone for best performance

Minimum Pallet Height:

4.25 in (108 mm) wooden pallets

Unobstructed Floor Space:

For best performance, provide a 15 ft × 11 ft area clear of walls, inventory racks or barriers

Minimum Ceiling Height:

12.75 ft

Shapes:

Solid shapes, (3-inch protrusions or more) will be included in dimensions

Lighting Conditions:

Operates in any indoor lighting environment

Power Requirements:

Single power source (96-264 VAC), with 25 ft power cable

Optional Network Camera:

2.4 mm fixed POE network color camera with 3-axis camera angle adjustment. IP24 rating. Standard 2688 × 1606 pixels, 96 dpi @ 751kb standard output in .jpeg format. Configurable for time and date, scan ID, system serial #, dimensions and dimensional indicators.

Operating Temperature:

14°F to 104°F (-10°C to 40°C)

Humidity:

0-90% non-condensing

Warranty:

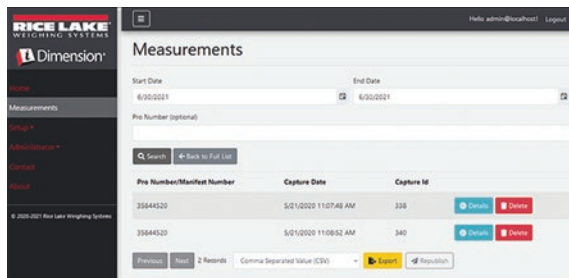
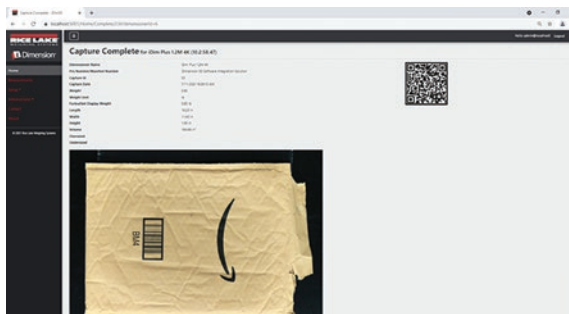
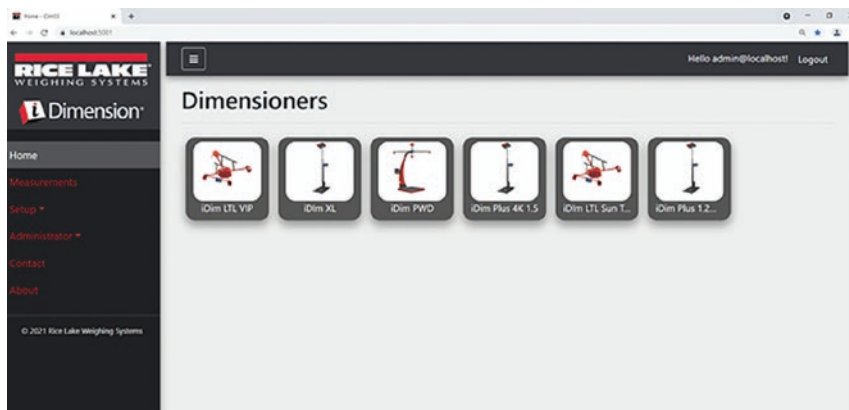
Two-year limited warranty
Five-year limited warranty, sensors only

Approvals:

NTEP 19-076A2

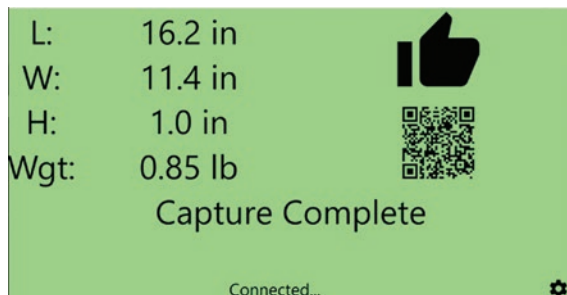
iDimension® SS

Integration Software



Options

- iDimension SS RTD display+ - configurable operator display for installation of any network PC



- iDimension SS forklift database – For use with iDimension Series LTL systems in conjunction with stop/go pallet dimensioning and forklift fleet with more than one iDim LTL on the local network for ease of maintenance

Part Numbers/Price

Part #	Description	Price
203010***	QubeVu Desktop App, software keyboard wedge, Windows 10	N/C
175812	iDimension software suite, Windows 10	\$2,250.00
201447	iDimension SS real-time status display desktop app (Stop & Go)	\$250.00
201448	iDimension SS standalone forklift data management web app (Stop & Go)	\$250.00

*** Available for free download at www.ricelake.com

Standard Features

- Management of iDim scan data and supported peripherals, including barcode scanners and label printers.
- Measurement database – configurable for capturing and transferring:
 - Identification #, like a Pro or sales order number
 - Dimensions
 - Scale or manual keyboard entry weight
 - Volume
 - Three configurable user fields
 - Pictures and bounding box images available from iDimension Plus, PWD and LTL family
- Configurable and flexible data export, including image format composition and annotations available in jpeg and composite PDF format. Data export provides output in CSV, JSON, XML and TXT file formats.
- Forklift Database for use with iDimension LTL Stop and Go pallet. Create a single forklift database when only one LTL dimensioner is added within the iDim SS.
- Local data storage and management features including scan data search and manual export
- Real-time data access via REST API
- Configurable QR Code to alternate input into MRP, TMS and WMS systems
- Automatic, customisable data export options, including FTP and SMB
- Role-based security model protects data and prevents unwanted configuration changes
- Error logging with high res image capture

System Requirements

- Windows® 10 build 1607 or newer (64-bit only)
- 2.0 GHz processor or faster
- 250 MB hard disk space needed for install
- 8 GB RAM or greater
- Ethernet TCP/IP communication to dimensioning devices plus optional scanners, printers and Rice Lake Weighing 680, 880 and 1280 scale indicators
- A supported web browser (Chrome™, Microsoft Edge®, Firefox™, Safari™)