

COMPRESSION DISK

Page 234 1200, ALLOY STEEL/ALUMINUM



The 1200 Series compact design permits smaller, more compact testing machines, portability and allows for weighing systems of substantially smaller dimensions. Resistance to extraneous forces produces high fatigue life, permits less stringent mounting alignment and reduces the possibility of reading errors. Capacities range from 1,000 to 100,000 lb. Complete with 10 ft of load cell cable.

Page 235 3200, STAINLESS STEEL



The 3200 Series stainless steel load cells are designed specifically for difficult applications in harsh environments. These units incorporate welded stainless steel diaphragms to resist corrosion and to seal against moisture intrusion. These load cells provide high accuracy, resistance to off-center loads with minimum error, excellent temperature specifications and low height envelope for ease of installation. Capacities range from 5,000 to 100,000 lb. Complete with 20 ft of load cell cable.

TENSION/COMPRESSION

Page 236 SML, LOW HEIGHT



A low height load cell designed for tension and compression. Available in anodized aluminum (5 to 300 lb capacity) or stainless steel (500 to 2,000 lb) construction. Complete with 5 ft of integral cable.

Page 237 WMC, STAINLESS STEEL, ROD END



The WMC rod end load cell is constructed of stainless steel, environmentally sealed and designed for tension or compression. Capacities range from 15,000 to 200,000 lb.

Page 238 WMC MINIATURE SEALED, STAINLESS STEEL



The WMC Miniature Sealed load cell completes the WMC line with this low capacity, low profile load cell with 5 ft of integral cable.

1200 Series

Low-Profile Alloy Steel/Aluminum, Environmentally Sealed, IP67



Picture is a representation of model 1211

Order Information

Load Rating	Part #	Est. Weight	Price
Aluminum			
1,000 lb	36132	4 lb	\$1,282.00
2,000 lb	36133	4 lb	\$1,282.00
Alloy Steel			
5,000 lb	36134	5 lb	\$1,405.00
10,000 lb	36135	5 lb	\$1,405.00
25,000 lb	36136	8 lb	\$1,563.00
50,000 lb	36137	8 lb	\$1,563.00
100,000 lb	36138	22 lb	\$2,465.00

Consult factory for load cell bases

Dimensions

Rated Capacity	C	D	D1	D2	H	H1
lb/in						
1,000 to 10,000	0.28 dia 8 holes	4.12	2.63	1.34	1.37	0.12
25,000 to 50,000	0.34 dia 4 holes	4.75	2.95	1.57	1.75	0.12
100,000	0.47 dia 12 holes	7.50	4.32	3.12	2.25	0.25

Specifications

Full Scale Output:

1,000 to 2,000 lb: 2.0 mV/V
 5,000 to 100,000 lb: 4.0 mV/V

Bridge Resistance:

350 ohms, nominal

Material/Finish:

1,000 to 2,000 lb: Aluminum
 5,000 to 100,000 lb: Alloy steel

Temperature:

Operating range
 0 °F to 150 °F (-18 °C to 65 °C)

Seal Type:

Environmentally sealed, IP67

Safe Overload:

150% full scale

Rated Excitation:

5 to 10 VDC (20 V maximum)

Nonlinearity:

0.05% full scale

Hysteresis:

0.02 to 0.04% full scale

Insulation Resistance:

5,000 megohms

Cable Length:

10 ft

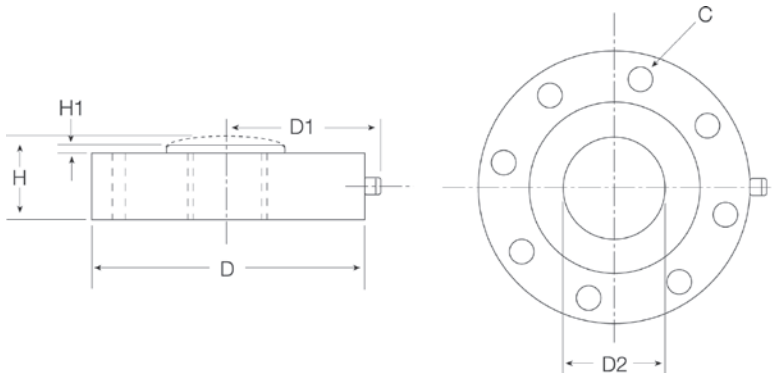
Cable Color Code:

Red +Excitation
 Black -Excitation
 Green +Signal
 White -Signal

Warranty:

Two-year limited

INTERFACE





Picture is a representation of model 3211

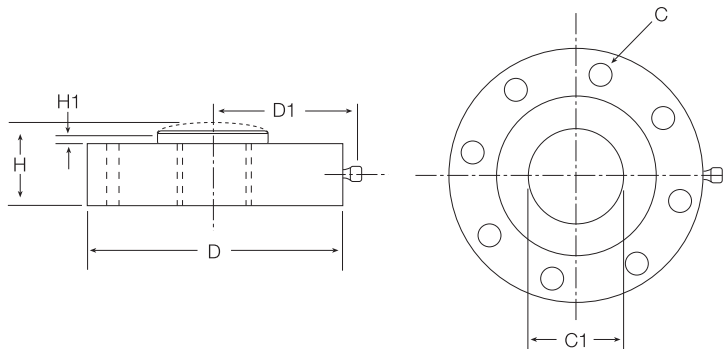
Order Information

Load Rating	Part #	Est. Weight	Price
5,000 lb	36140	5 lb	\$1,600.00
10,000 lb	36141	5 lb	\$1,600.00
25,000 lb	36142	8 lb	\$1,813.00
50,000 lb	36143	8 lb	\$1,813.00
100,000 lb	36144	10 lb	\$3,090.00

Consult factory for load cell bases

Dimensions

Rated Capacity	C	C1	D	D1	H	H1
lb/in						
5,000 to 10,000	0.28 dia 8 holes	1.34	4.12	2.56	1.37	0.12
25,000 to 50,000	0.34 dia 4 holes	1.57	4.75	2.87	1.75	0.12
100,000	0.47 dia 12 holes	3.12	7.50	4.25	2.25	0.25



Specifications

- Full Scale Output:**
4.0 mV/V
- Bridge Resistance:**
350 ohm nominal
- Material/Finish:**
Stainless steel
- Temperature:**
Operating range
0 °F to 150 °F (-18 °C to 65 °C)
- Seal Type:**
Hermetically sealed, IP66/68
- Safe Overload:**
150% full scale
- Rated Excitation:**
5 to 10 VDC (20 V maximum)
- Nonlinearity:**
0.05% full scale
- Hysteresis:**
0.04% full scale
- Insulation Resistance:**
5,000 megohm
- Cable Length:**
20 ft
- Cable Color Code:**
Red +Excitation
Black -Excitation
Green +Signal
White -Signal
- Warranty:**
Two-year limited

SML

Low-height, Aluminum / Stainless Steel



Picture is a representation of actual product

Order Information

Load Rating	Part #	Est. Weight	Price
5 lb	185097	1 lb	\$843.00
10 lb	185098	1 lb	\$843.00
25 lb	185099	1 lb	\$630.00
50 lb	185100	1 lb	\$630.00
100 lb	185101	1 lb	\$630.00
200 lb	185102	1 lb	\$630.00
300 lb	185103	1 lb	\$630.00
500 lb	185104	1 lb	\$630.00
1,000 lb	185105	1 lb	\$843.00
2,000 lb	185106	1 lb	\$843.00

Dimensions

Rated Capacity	A	B	C	D	E	F	G	H	I
lb/in									
5 to 10	1.80	0.52	0.73	0.90	10-32 UNF .20 deep	0.34	0.13	0.29	0.50
25 to 100	2.00	0.64	0.73	1.00	1/4-28 UNF .25 deep	0.46	0.13	0.38	0.50
200 to 1,000	2.12	0.89	0.98	1.06	3/8-24 UNF .38 deep	0.71	0.13	0.46	0.57
2,000	2.80	1.16	1.24	1.40	1/2-20 UNF .49 deep	1.00	0.13	0.75	0.77

Specifications

Full Scale Output:

2.0 mV/V

Bridge Resistance:

350 ohm nominal

Material/Finish:

5 to 300 lb: Aluminum

500 to 2,000 lb: Stainless steel

Temperature:

Operating range

-65 °F to 200 °F (-54 °C to 93 °C)

Safe Overload:

5 to 10 lb: 800%

25 to 2,000 lb: 150%

Rated Excitation:

15 VDC maximum

Nonlinearity:

5 to 300 lb: ± 0.05% full scale

500 to 1,000 lb: ± 0.10% full scale

2,000 lb: ± 0.20% full scale

Hysteresis:

5 to 300 lb: ± 0.05% full scale

500 to 1,000 lb: ± 0.10% full scale

2,000 lb: ± 0.20% full scale

Insulation Resistance:

> 5,000 megohm

Cable Length:

5 ft

Cable Color Code:

Red +Excitation

Black -Excitation

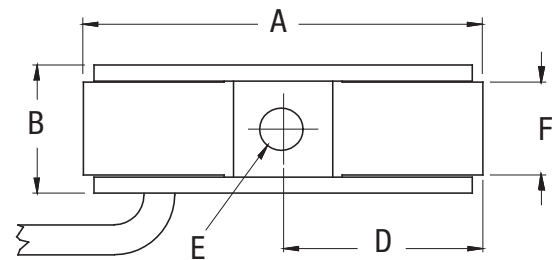
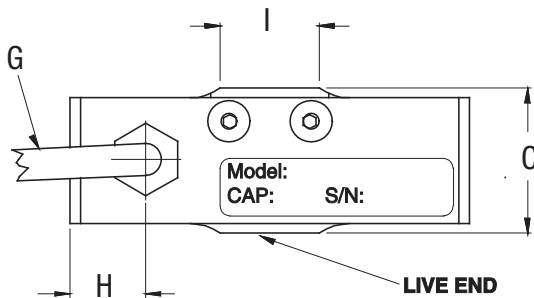
White +Signal

Green -Signal

Warranty:

One-year limited

INTERFACE





Picture is a representation of actual product

Specifications

Full Scale Output:

2.0 mV/V

Bridge Resistance:

350 ohm nominal

Material/Finish:

Stainless steel

Temperature:

Operating range
-65 °F to 250 °F (-54 °C to 121 °C)

Safe Overload:

150% full scale

Rated Excitation:

15 VDC Max

Nonlinearity:

15 to 30 k: ± 0.10% full scale
100 k: ± 0.15% full scale
200 k: ± 0.20% full scale

Hysteresis:

± 0.15% full scale

Insulation Resistance:

> 5,000 megohm

Connector Pin Out:

A +Excitation
B +Sense
C -Excitation
D -Sense
E -Signal
F +Signal

Warranty:

One-year limited

Order Information

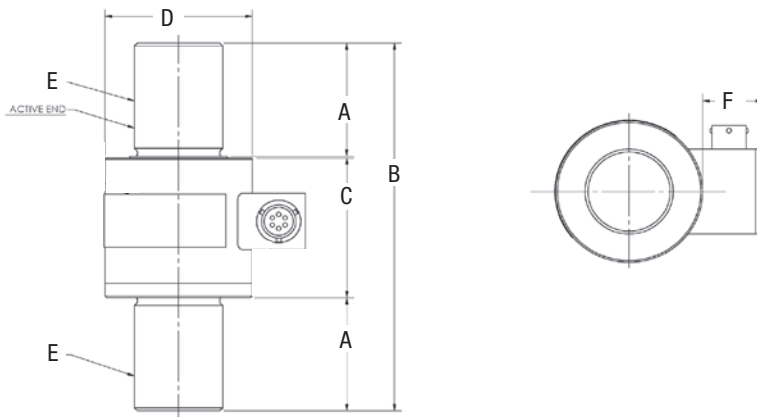
Load Rating	Part #	Est. Weight	Price
15,000 lb	185079	5 lb	\$2,040.00
20,000 lb	185080	5 lb	\$2,040.00
30,000 lb	185081	5 lb	\$2,040.00
50,000 lb	185583	5 lb	\$2,040.00
100,000 lb	185082	20 lb	\$3,705.00
200,000 lb	185083	40 lb	\$4,400.00

Load Cell Cable Option

	Part #	Est. Weight	Price
10 ft cable with PT06A-10-6S (SR) connector	185459	2 lb	\$250.00

Dimensions

Rated Capacity	A	B	C	D	E	F
lb/in						
15,000 to 50,000	2.00	6.50	2.47	2.50	1.5-12 UNF	1.01
100,000	3.00	10.00	3.97	3.50	2.50-12 UNF	1.28
200,000	4.00	13.00	4.97	4.47	3.50-8 UNF	1.36



WMC Miniature Sealed

Stainless Steel



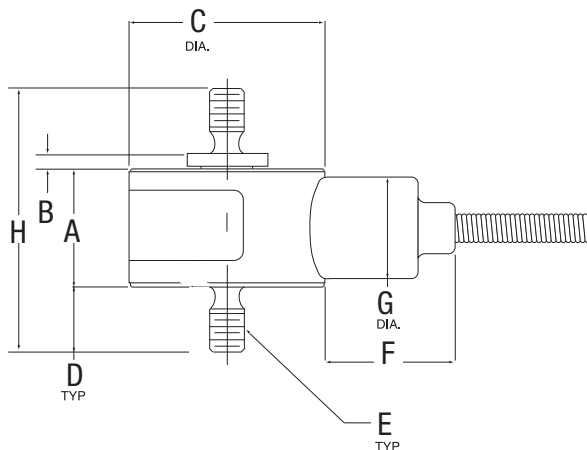
Picture is a representation of actual product

Order Information

Load Rating	Part #	Est. Weight	Price
5 lb	185090	1 lb	\$1,373.00
10 lb	185091	1 lb	\$1,373.00
25 lb	185092	1 lb	\$1,267.00
50 lb	185093	1 lb	\$1,267.00
100 lb	185094	1 lb	\$1,267.00
250 lb	185095	1 lb	\$1,267.00
500 lb	185096	1 lb	\$1,267.00
1,000 lb	185084	1 lb	\$1,267.00
2,000 lb	185085	1 lb	\$1,373.00
3,000 lb	185086	1 lb	\$1,373.00
5,000 lb	185087	1 lb	\$1,373.00
7,500 lb	185088	1 lb	\$1,373.00
10,000 lb	185089	1 lb	\$1,373.00

Dimensions

Rated Capacity	A	B	C	D	E	F	G	H
lb/in								
5-10	0.45	0.06	0.75	0.25	6-32 UNC	0.50	0.39	1.01
25-100	0.52	0.03	1.00	0.25	10-32 UNF	0.50	0.39	1.05
250-500	0.53	0.03	1.00	0.38	1/4-28 UNF	0.50	0.39	1.32
1,000	0.53	0.03	1.00	0.38	0.25-28 UNF	0.50	0.39	1.32
2,000-3,000	0.72	0.03	1.00	0.50	0.38-24 UNF	0.50	0.39	1.75
5,000	0.94	0.03	1.25	0.63	0.50-20 UNF	0.50	0.39	2.23
7,500-10,000	1.09	0.03	1.38	0.88	0.75-16 UNF	0.50	0.39	2.88



Specifications

Full Scale Output:

2.0 mV/V

Bridge Resistance:

350 ohm nominal

Material/Finish:

Stainless steel

Temperature:Operating range
-65 °F to 250 °F (-54 °C to 121 °C)**Safe Overload:**

150% full scale

Rated Excitation:

12 VDC

Nonlinearity:5 to 500 lb: ± 0.15% full scale
1,000 to 10,000 lb: ± 0.20% full scale**Hysteresis:**5 to 500 lb: ± 0.15% full scale
1,000 to 10,000 lb: ± 0.20% full scale**Insulation Resistance:**

> 5,000 megohm

Cable Length:

5 ft

Cable Color Code:Red +Excitation
Black -Excitation
White +Signal
Green -Signal**Warranty:**

One-year limited