

Balances

TABLE OF CONTENTS

EQUIPOISE®	20
TC/TP/TS/TA SERIES	21
MB SERIES	22
QB SERIES	24

BALANCES

Equipoise®



Part Number/Price

Part #	Description	Price
129425	AC power adapter, 110-240 VAC US plug	Consult
129426	Foot	Consult
129427	Pan, stainless 120 mm, EQ-300, EQ-600	Consult
129428	Pan, stainless large 122 x 142 mm, EQ-1500, EQ-3000, EQ-6000	Consult
172337	Pan, EQ-6000	Consult
129429	Overlay	Consult
129566	Battery	Consult

Balances

BALANCES
TC/TP/TS/TA Series

Part Number/Price

Ref #	Part#	Description	Price
TC/TP Series			
	190988	Board, display and CPU, TC-620	Consult
	190989	Board, display and CPU, TC-1200	Consult
	190990	Board, display and CPU, TC-4200	Consult
	190991	Board, display and CPU, TC-6200	Consult
	190992	Board, display and CPU, TC-220	Consult
	190993	Board, display and CPU, TP-420NT	Consult
	190994	Board, display and CPU, TP-820	Consult
	190995	Board, display and CPU, TP-1200NT	Consult
	190996	Board, display and CPU, TP-3200	Consult
	190997	Board, display and CPU, TP-4200NT	Consult
	190998	Board, display and CPU, TP-6200NT	Consult
	190999	Board, display and CPU, TP-8200	Consult
	191000	Board, display and CPU, TP-12k	Consult
1-2	109028	Adjustable foot, TP 220-1,200 g	Consult
1-2	109029	Adjustable foot, TP 2200-12 kg	Consult
1-3	109031	Rubber support foot, 220-1200 g	Consult
12	109025	TP front panel (over display window) small, 220 g-1200 g	Consult
12	109027	TC front panel (over display window) large, 2200 g-12 kg	Consult
12	109026	TC front panel (over display window) small, 220 g-1200 g	Consult
12-3	109030	TP/TC keypad panel	Consult
	109040	Round pan, 5.5 in (140 mm) TC 620	Consult
15	109008	Round pan support	Consult
15-1	109007	Round pan guides, 118 mm	Consult
16	109005	Round pan, 118 mm (4.6 in) TP 220, TP-420	Consult
18	109018	Rectangle pan support, TP 3200 g, 8200 g and 12 kg	Consult
18	109015	Rectangle pan support, 170 x 142 mm	Consult
19	109019	Pan guides, 180 x 160 mm, TC-4200, TC-6200, TP-3200, TP-4200NT, TP-8200, TP12K	Consult
19	109014	Rectangle pan guides, 170 x 142 mm, TC-1200, TP-820, TP-1200NT	Consult
20	109012	Rectangle pan, 170 x 142 mm (6.6 x 5.5 in) TP 820, TC 1200	Consult
20	109017	Rectangle pan, 180 x 160 mm (7.0 x 6.2 in) for TC 4200, TC 6200	Consult
	Consult	AC Adaptor 120V/12VDC	Consult
	42168	AC Adaptor 230V	Consult
	115740	DIN 5 male plug	Consult
	107250	In-use dust covers, 2200 g - 12 kg	Consult
	107240	In-use dust covers, 220 g - 1200 g	Consult
TS Series			
	190987	Board, display and CPU, TS-620	Consult
	109040	Round pan, 140 mm, TS-620	Consult
	109041	Pan guide	Consult
	109042	Round pan protector base plate	Consult
	109043	Square pan, 190 x 190 mm, TS-6200, TS-8200	Consult
	109044	Square pan base guide	Consult
	109045	Base Round guide	Consult
	109046	Front panel (over display window)	Consult
	109047	Adjuster foot	Consult
	108499	AC Adaptor 230V	Consult
	115109	Platform screw-no slot	Consult
TA Series			
	109032	Round pan, 80 mm	Consult
	109034	Round pan base guide	Consult
	109033	Round pan protector base plate	Consult
	116289	Pan guides-four per balance	Consult
	109035	RL-TA front panel (over display window)	Consult
	109037	Adjustable foot	Consult
	108255	AC Adaptor 120V/9VDC	Consult
	108256	AC Adaptor 230V	Consult
	108257	In-use cover	Consult



TC Series



TP Series



TS Series



TA Series

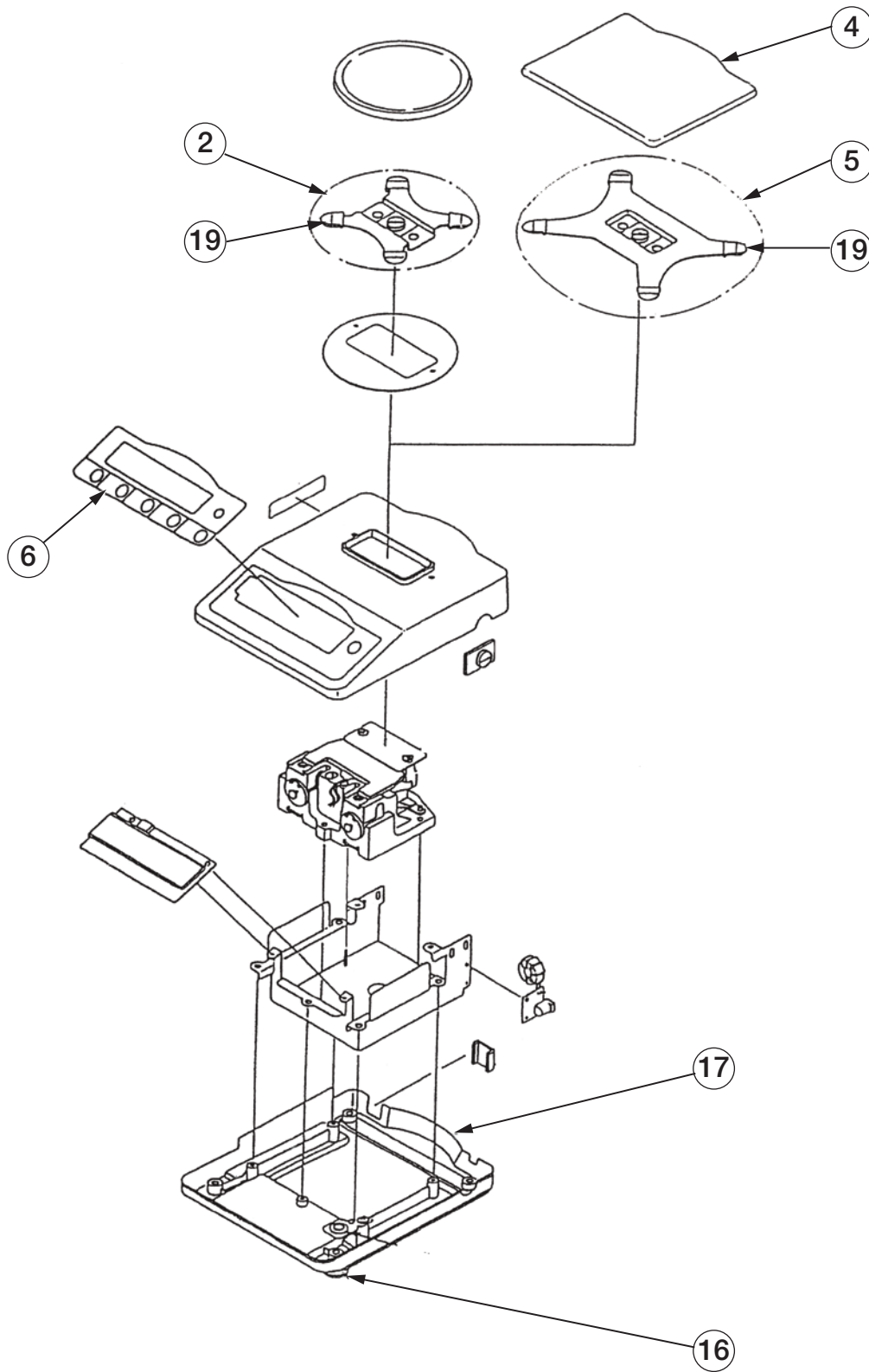
Balances

MB Series**Discontinued****Part Number/Price**

Ref #	Part #	Description	Price
2	43179	Round pan base	Consult
4	43178	Square pan 6.7 in x 5.6 in	Consult
5	43185	Square pan base	Consult
6	67203	Front panel assembly for MB-L	Consult
16	43195 *	Adjustable foot	Consult
17	50252	Rear support leg, round pan	Consult
	42566	AC Adaptor 120V/12VDC	Consult
19	45049	Pan guide bumper	Consult

* Two on round, four on square
(See diagram MB-1)

BALANCES
MB Series



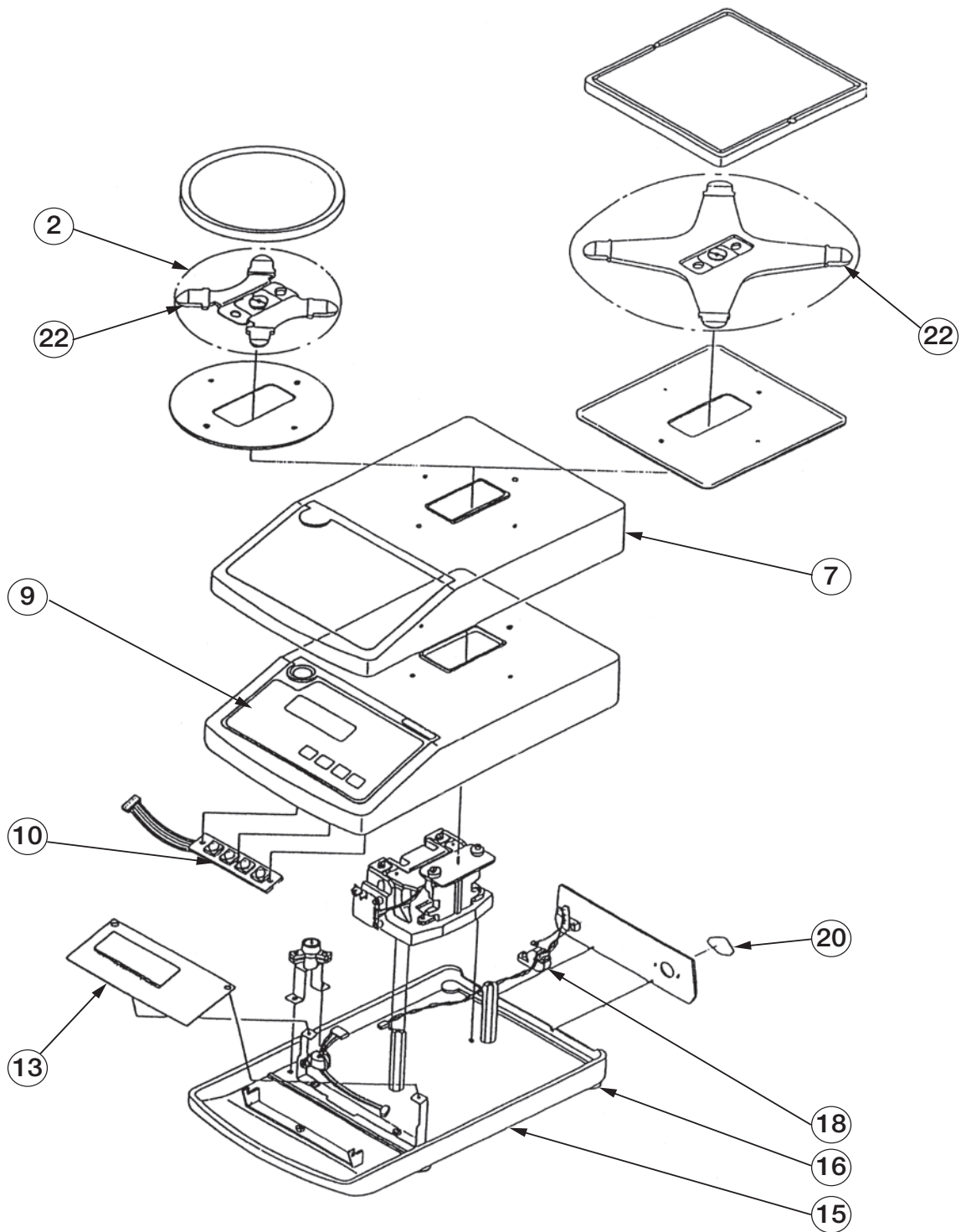
Balances

MB-1

**Part Number/Price**

Ref #	Part #	Description	Price
2	43179	Round pan base	Consult
7	42181	Plastic dust cover	Consult
9	66702	Front panel for QB-L	Consult
10	43300	CGSW-1 PCB assembly	Consult
13	43307	CGD-2 circuit board without eprom, discontinued	Consult
15	43309	Lower case, discontinued	Consult
16	41579	Adjusting leg	Consult
18	41580	CG power cord assembly	Consult
20	43312	RS shutter	Consult
	42566	AC adaptor 120V/12VDC	Consult
	41588	Leaf spring QB-12 k	Consult
	43690	Clear glass display window	Consult
22	45049	Pan guide, bumper	Consult
	115740	Connector, RS-232 DIN five male	Consult
	42181	Dust cover	Consult

(See diagram QB-1)



QB-1

Balances

