

Forklift / Pallet Jack Scales

TABLE OF CONTENTS

Forklift / Pallet Jack Scales	403
CLS NextGen	404
<i>Forklift Scale</i>	
CLS NextGen Pro	405
<i>Forklift Scale</i>	
CLS NextGen	406
<i>Forklift Scale with Mobile Printer</i>	
CLS Series Class II	407
<i>Forklift Scale</i>	
CLS Series Class III	408
<i>Forklift Scale</i>	
CLS Series Options	409
<i>Forklift Scales</i>	
CLS-680	410
<i>Forklift Scale Display</i>	
CLS-920i®	411
<i>Forklift Scale Display</i>	
VIRTUJ³	412
<i>PC-based Program for CLS Series Forklift Scale</i>	
RL-HPJ	413
<i>Hand Pallet Jack Scale</i>	
Forklift Questionnaire	414

Product names, logos, brands and other trademarks featured or referred to within this publication are the property of their respective trademark holders.

CLS NextGen

Forklift Scale



Standard Features

- NTEP Certified
 - 5,000 × 5 lb capacity and resolution, up to 42-in forks
 - 4,500 × 5 lb capacity and resolution, up to 72-in forks
 - Two 5,000-lb stainless steel load cells
 - iQUBE series digital junction box, stainless steel enclosure
- Large viewing window for operator
- 1.5-in thick steel front and rear plates
- Top cleats are pinned, bolted and welded
- Four flexure system made from high strength stainless steel
- Debris guards for top and sides
- Stainless steel load cell rod bolts
- Replaceable centering pin
- Replaceable centering notch
- Overload and underload stop
- Field serviceable flexures and load cells
- Wired or cable-less connectivity

Weight Indication Choices

- CLS-680
- CLS-920i
- Windows® Mobile PC, Tablets and handhelds, compatible with VIRTUi³

Presale Requirements

- Provide completed forklift questionnaire for quotation
- Compatible with most Class II forklift attachments, consult factory

Installation Recommendations

- When installing a forklift scale, OSHA requires the end user to de-rate the lift capacity of the forklift

Options

- Weigh in-motion
- Narrow width backplate
- Front plate width variations
- CLS-680, 18 to 72 VDC
- Mobile printer

Specifications

Warranty:

Two-year limited

Approvals:

NTEP 06-074

Approvals



Part Number/Price

Part #	Capacity	Description	Est. Weight	Price
Class II, CLS-680, NTEP Certified				
231800	5000 × 5 lbs	CLS680-3436, 16 × 36 in carriage plate, 9 to 36 VDC, wired	465 lbs	\$9,950.00
231801	5000 × 5 lbs	CLS680-3436, 16 × 36 in carriage plate, 9 to 36 VDC, cableless	480 lbs	\$12,050.00
Class II, CLS-920i, NTEP Certified				
231810	5000 × 5 lbs	CLS920-3436, 16 × 36 in carriage plate, 9 to 36 VDC, wired	475 lbs	\$11,200.00
231811	5000 × 5 lbs	CLS920-3436, 16 × 36 in carriage plate, 9 to 36 VDC, cableless	490 lbs	\$13,300.00
Class II, VIRTUi³ M Series, NTEP Certified				
231815**	5000 × 5 lbs	CLSM-3436, 16 × 36 in carriage plate, wired with DB9 adapter	450 lbs	\$9,350.00

** Weight indication device (PC/tablet) is not included, consult factory to verify compatibility with your device.
For indicator drawings and dimensions, please see page 410 and page 411
For scale drawings and dimensions, visit www.ricelake.com.



FORKLIFT /
PALLET JACK SCALES

CLS NextGen Pro

Forklift Scale

NEW

NTEP Certified
2 lb Resolution



Approvals



Part Number/Price

Part #	Capacity	Description	Est. Weight	Price
Class II, CLS-680, NTEP Certified				
231802	5000 × 2 lbs	CLS680-3436-PRO, 16 × 36 in carriage plate, 9 to 36 VDC, wired	470 lbs	\$11,450.00
231803	5000 × 2 lbs	CLS680-3436-PRO, 16 × 36 in carriage plate, 9 to 36 VDC, cableless	485 lbs	\$13,550.00
Class II, CLS-920i, NTEP Certified				
231812	5000 × 2 lbs	CLS920-3436-PRO, 16 × 36 in carriage plate, 9 to 36 VDC, wired	480 lbs	\$12,700.00
231813	5000 × 2 lbs	CLS920-3436-PRO, 16 × 36 in carriage plate, 9 to 36 VDC, cableless	495 lbs	\$14,800.00
Class II, VIRTUi³ M Series, NTEP Certified				
231816**	5000 × 2 lbs	CLSM-3436-PRO, 16 × 36 in carriage plate, wired with DB9 adapter	455 lbs	\$10,850.00

** Weight indication device (PC/tablet) is not included, consult factory to verify compatibility with your device.
For indicator drawings and dimensions, please see page 410 and page 411
For scale drawings and dimensions, visit www.ricelake.com.

Standard Features

- NTEP Certified
 - 5,000 × 2 lb capacity and resolution, up to 42-in forks
 - Two 5,000-lb stainless steel load cells
 - iQUBE series digital junction box, stainless steel enclosure
- Large viewing window for operator
- 1.5-in thick steel front and rear plates
- Top cleats are pinned, bolted and welded
- Four flexure system made from high strength stainless steel
- Debris guards for top and sides
- Stainless steel load cell rod bolts
- Replaceable centering pin
- Replaceable centering notch
- Overload and underload stops
- Field serviceable flexures and load cells
- Wired or cable-less connectivity

Weight Indication Choices

- CLS-680
- CLS-920i
- Windows® Mobile PC, Tablets and handhelds, compatible with VIRTUi³

Presale Requirements

- Provide completed forklift questionnaire for quotation
- Compatible with most Class II forklift attachments, consult factory

Installation Recommendations

- When installing a forklift scale, OSHA requires the end user to de-rate the lift capacity of the forklift

Options

- Narrow width backplate
- Front plate width variations
- CLS-680, 18 to 72 VDC
- Mobile printer

Specifications

Warranty:

Two-year limited

Approvals:

NTEP 06-074

FORKLIFT /
PALLET JACK SCALES



CLS NextGen

Forklift Scale with Mobile Printer



Standard Features

- Preconfigured for use with Zebra® ZQ630 Printer, CLS-680 Mode 608
- Package includes:
 - CLS-680 scale assembly
 - Zebra ZQ630 thermal printer
 - Printer mount kit
 - DC power supply for printer
 - Serial and adapter cables from indicator to printer

Approvals



Part Number/Price

Part #	Capacity	Description	Est. Weight	Price
Class II, CLS-680, Zebra Printer, NTEP Certified				
231805	5000 × 5 lbs	CLS-680-3436 with Zebra ZQ630 printer, 12 to 24 VDC, wired	480 lb	\$12,100.00
231806	5000 × 5 lbs	CLS-680-3436 with Zebra ZQ630 printer, 12 to 24 VDC, cableless	495 lb	\$14,150.00
231807	5000 × 5 lbs	CLS-680-3436 with Zebra ZQ630 printer, 18 to 60 VDC, wired	480 lb	\$12,500.00
231808	5000 × 5 lbs	CLS-680-3436 with Zebra ZQ630 printer, 18 to 60 VDC, cableless	495 lb	\$14,550.00

For drawings and dimensions of the indicator, please see page 410
 For scale drawings and dimensions, visit www.ricelake.com.



Zebra ZQ630



CLS-680

GROSS 1680 lb

11:43 AM 10/20/24

Gross label

GROSS 1930 lb
TARE 510 lb
NET 1420 lb

11:43 AM 10/20/24

Net label

FORKLIFT /
PALLET JACK SCALES



Approvals

Measurement
Canada
Approved

Part Number/Price

Part #	Capacity	Description	Est. Weight	Price
Class II, CLS-680 with Measurement Canada Approval				
214091	4,500 × 5 lb	34 in W, 16 in H forklift carriage (36 in W with flexures), 9 to 36 VDC	530 lb	\$9,950.00
208269	4,500 × 5 lb	34 in W, 16 in H forklift carriage (36 in W with flexures), 9 to 36 VDC, cableless	545 lb	\$12,050.00
Class II, CLS-920i with Measurement Canada Approval				
215114	4,500 × 5 lb	34 in W, 16 in H forklift carriage (36 in W with flexures), 9 to 36 VDC	540 lb	\$11,200.00
216947	4,500 × 5 lb	34 in W, 16 in H forklift carriage (36 in W with flexures), 9 to 36 VDC, cableless	565 lb	\$13,300.00

For indicator drawings and dimensions, please see page 410 and page 411
For scale drawings and dimensions, visit www.ricelake.com.

Standard Features

Measurement Canada Approved

- 4,500 × 5 lb/5,000 × 10 lb
- 1-1/2-in thick front and back painted steel plates coupled by four flexures
- Top cleats are welded, pinned and bolted
- Welded centering pin
- Two 5,000-lb S-beam load cells
- iQUBE²® junction box with inclinometer
- Molded coiled cable, up to 15 ft uncoiled

Presale Requirements

- Provide completed forklift questionnaire for quotation
- Compatible with most Class II forklift attachments, consult factory

Installation Recommendations

- When installing a forklift scale, OSHA requires the end user to de-rate the lift capacity of the forklift

Options

- Narrow width backplate, 28 in
- Mobile printer

Specifications

Warranty:

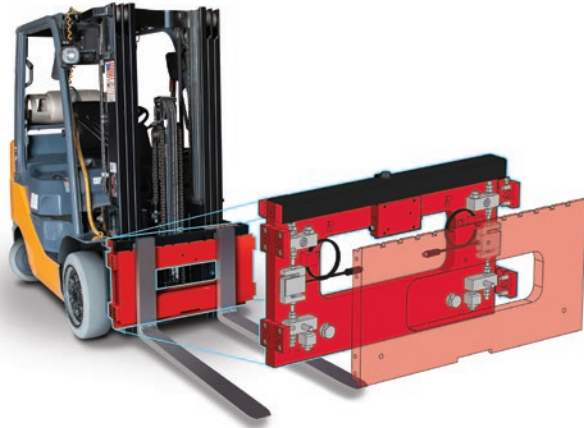
Two-year limited

Approvals:

Measurement Canada AM-5893

CLS Series Class III

Forklift Scale



Standard Features

Scale Carriage

- 38 in, 8,000 × 5 lbs, non-NTEP
- 1-1/2-in thick front and back painted steel plates coupled by four flexures
- Top cleats are welded, pinned and bolted
- Welded centering pin
- Two 5,000-lb S-beam load cells
- iQUBE²® junction box with inclinometer
- Molded coiled cable, up to 15 ft uncoiled

Presale Requirements

- Provide completed forklift questionnaire for quotation
- Compatible with most Class III forklift attachments, consult factory

Installation Recommendations

- When installing a forklift scale, OSHA requires the end user to de-rate the lift capacity of the forklift

Options

- CLS-680, 18 to 72 VDC
- Virtui³
- Mobile printer

Specifications

Warranty:

Two-year limited

Part Number/Price

Part #	Capacity	Description	Est. Weight	Price
Class III, CLS-680, Non-NTEP Certified				
212521	8,000 × 5 lb	38 in W, 20 in H forklift carriage, 9 to 36 VDC	985 lb	\$13,140.00
214092	8,000 × 5 lb	38 in W, 20 in H forklift carriage, 9 to 36 VDC, cableless	990 lb	\$15,190.00
Class III, CLS-920i, Non-NTEP Certified				
219975	8,000 × 5 lb	38 in W, 20 in H forklift carriage, 9 to 36 VDC	990 lb	\$14,390.00
214093	8,000 × 5 lb	38 in W, 20 in H forklift carriage, 9 to 36 VDC, cableless	1,005 lb	\$16,440.00

For indicator drawings and dimensions, please see page 410 and page 411
For scale drawings and dimensions, visit www.ricelake.com.

FORKLIFT /
PALLET JACK SCALES

CLS Indicator

CLS-680 (page 410)

The CLS-680 was designed from the ground-up, specifically for forklift applications. With a machined aluminum anodized enclosure, the CLS-680 is ideal for demanding, general-purpose forklift applications. Its compact size is attached with a RAM® mount for flexible positioning and minimal obstruction. Additional features include rounded corners, vibration protection and surge suppression.

- Six-digit, seven-segment LED display
- Battery backed time and date
- On/off power switch
- 9 to 26 VDC or 18 to 72 VDC power supply
- Cabled or cableless
- RS-232 serial port
- Wi-Fi
- WPAN

CLS Indicator

CLS-920i (page 411)

The CLS-920i incorporates the flexibility, intelligence and programmability of the 920i in a smaller enclosure with a DC power supply for use on forklifts. The standard program offers weight indication, configuration, calibration and diagnostics specific to the CLS. Customize it for your application with an optional user program.

- Painted mild steel enclosure
- Backlit graphical LCD display
- Battery-backed time and date
- On/off power switch
- 9 to 36 VDC power supply
- Cabled or cableless
- Two available RS-232 ports for added options
- Optional Wi-Fi
- Optional WPAN

CLS Virtual Solution

VIRTUi³® (page 412)

Weight data is displayed on a device using VIRTUi³ software, creating a virtual indicator. The CLS connects to your device using RS-232, USB or WPAN. Choose between the CLS-M or CLS-IM configuration for static or in-motion use.

- Weight indication device (PC/tablet) is not included
- Consult factory to verify compatibility with your device
- WPAN connection available
- USB connection available

Cableless

The cableless option removes the coiled communications or power cable between the scale and the indicator. A rechargeable battery is secured to the scale, powering the scale and the paired wireless modules provide communication.

- 802.15 wireless interface
- Lithium-ion battery and charger
- On/off power switch
- Battery life: 24 hours of constant use
- Battery recharge time: 8 hours to fully recharge
- Reinforced battery box

Wi-Fi

Wi-Fi is a standard feature for the CLS-680 and is available as a factory installed option for the CLS-920i.

- Wireless LAN card 802.11 b/g
- Range: Up to 328 ft indoors
- Operating frequency: ISM 2.4 GHz

WPAN

WPAN communication is a standard feature for the CLS-680 and is available as an external option for the CLS-920i. It is also available in a communications/power box for the virtual solution.

Forklift Capacity Derating

During the initial scale installation, remind the customer that they must have an updated ID plate on the forklift stating the new lifting capacity and center of gravity information. This is required per OSHA rules and regulations.

Forklift scale dimensions and capacity derating available on www.ricelake.com

CLS-680

Forklift Scale Display



Approvals



Part Number/Price

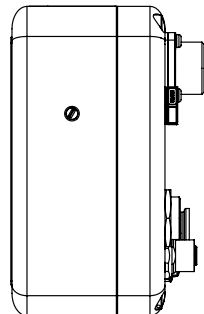
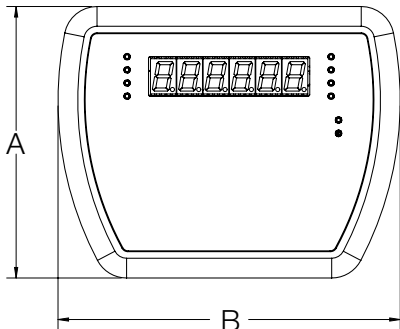
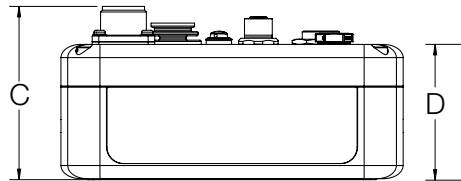
Part #	Description	Price
206439	CLS-680 indicator, 9 to 36 VDC	\$1,310.00
204239	CLS-680 indicator, 18 to 72 VDC	\$1,590.00

Options/Accessories

Part #	Description	Price
96915	Power cable assembly	\$125.00
125395	Coiled cable assembly	\$295.00
200762	Ball mount (indicator)	\$20.00
200764	Ball mount clamp style	\$40.00
175509	Mount arm	\$40.00
205715	RS-232 data cable, DB9	\$95.00

Dimensions

CLS-680	
A	5.2 in (132 mm)
B	6.5 in (165 mm)
C	3.3 in (84 mm)
D	2.5 in (64 mm)



Standard Features

- LED display
- Battery backed time and date
- Full numeric keypad
- Numeric keyed entry allowed for tare
- Configurable print formats
- CLS user modes
- Machined aluminum enclosure with rounded corners
- Wi-Fi standard
- Embedded antenna
- RAM® style mount ability
- M16 socket, CLS scale connection
- M12 socket RS-232
- Power cable socket
- PreVent™ breather vent
- Illuminated power switch

Options

- Cableless interface to CLS with Zigbee module
- RAM style mounts
- Molded M12 serial cables

Specifications

Power:

DC voltages: 9 to 36 VDC or 18 to 72 VDC

Communication Ports:

Two RS-232 full duplex, one reserved for CLS WPAN

Wi-Fi: Wireless 802.11 b/g/n 2.5 GHz

Zigbee, reserved for CLS cableless option

Annunciators:

10 LED

Display:

Six-digit, 0.5 in tall, seven-segment digits

Keys/Buttons:

Flat membrane panel, tactile feel (18 buttons)

Temperature:

Certified: 14 °F to 104 °F (-10 °C to 40 °C)

Industrial: 14 °F to 122 °F (-10 °C to 50 °C)

Dimensions:

(L × W × H)

6.5 × 5.2 × 3.3 in

(165 × 132 × 84 mm)

Estimated Weight:

3.7 lb (1.7 kg)

Material:

Machined aluminum enclosure, anodized finish

EMC Immunity:

EN 50082 Part 2 IEC 61000-4-2,3,4,5,6,8 and 11

Warranty:

Two-year limited

Approvals:

NTEP 21-092, Class III/IIIL, 5,000d



Approvals



Measurement
Canada
Approved

Part Number/Price

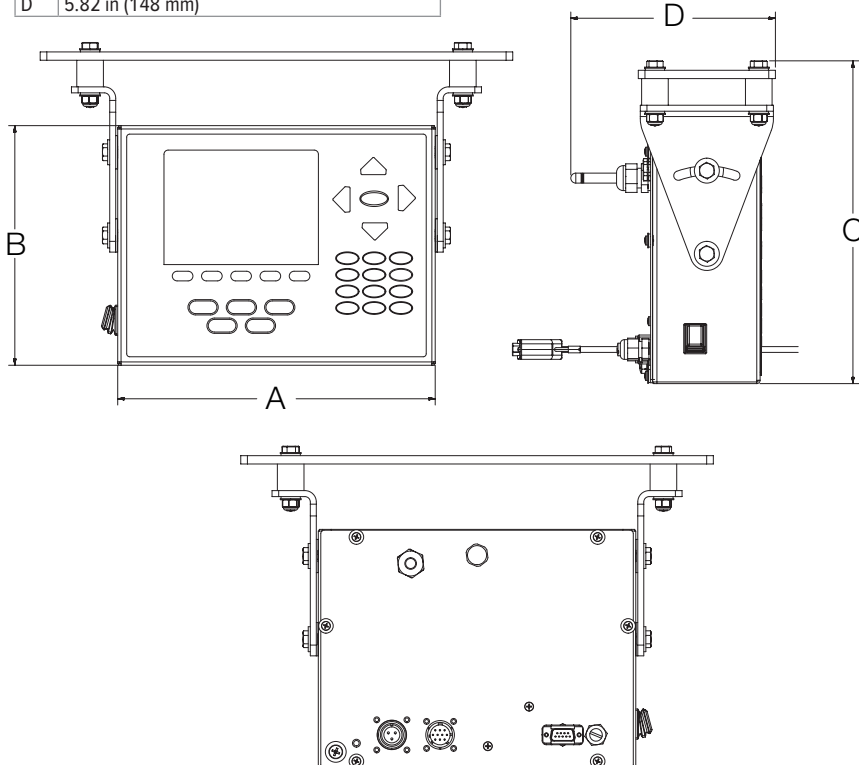
Part #	Description	Price
162112	CLS-920i indicator with mounting brackets, 9 to 36 VDC	\$3,200.00

Options/Accessories

Part #	Description	Price
96915	Power cable assembly	\$125.00
125395	Coiled cable assembly	\$295.00
163353	RS-232 data cable, DB9	\$58.00

Dimensions

CLS-920i	
A	9.54 in (242 mm)
B	7.20 in (183 mm)
C	9.71 in (247 mm)
D	5.82 in (148 mm)



Standard Features

- LCD display
- Standard program
 - Weight indication
 - Configuration
 - Calibration
 - Diagnostics
- Front panel calibration
- On/Off switch to conserve forklift battery life
- Painted mild steel enclosure
- Two-piece top cage indicator mounting assembly with vibration mounts
- Two available RS-232 ports for added options of scanner, Wi-Fi or printer
- 9 to 36 VDC power supply for use on gas powered or electric forklifts

Note: For custom user program, please contact the factory

Specifications

Power:

Line voltage: 9 to 36 VDC, DC input

Power Consumption:

1.5 A max fused at 5.0

Temperature:

Certified: 14 °F to 104 °F (-10 °C to 40 °C)
Operating: 14 °F to 122 °F (-10 °C to 50 °C)

Wireless LAN Option:

Contains FCC ID: R68WIPORATG
Range: Up to 328 ft indoors
Operating frequency: ISM 2.4 GH

Warranty:

Two-year limited

Approvals:

NTEP 06-074, 5,000 lb only, Class III, 1,000d
Measurement Canada AM-5893, Class III

VIRTUI³®

PC-based Program for CLS Series Forklift Scale



Standard Features

- Virtual front panel consists of display and two or three button keypad
- Printer port configuration, serial or TCP/IP
- Provides CLS configuration screen
- Supports CLS diagnostics
- Weight indication screen
- Weight display
- Zero, print and in-motion clear buttons
- Capacity, resolution, units, motion and center of zero status annunciators
- Unit ID (scale serial number)
- Configuration, calibration and diagnostics menus
- VIRTUI³ Mini, minimized weight display screen
- Scale test menu

Specifications

Minimum System Requirements:

Windows® 8.1 or greater
Serial port connection to CLS Series forklift scale
Additional serial ports are required for connections to printers/remote displays
100 MB space needed
8 GB or greater RAM

Annunciators:

Units, capacity, resolution, motion, center of zero

Approvals:

NTEP 04-058

Approvals



Part Number/Price

Part #	Description	Price
188745	VIRTUI ³ software	\$495.00

FORKLIFT /
PALLET JACK SCALES

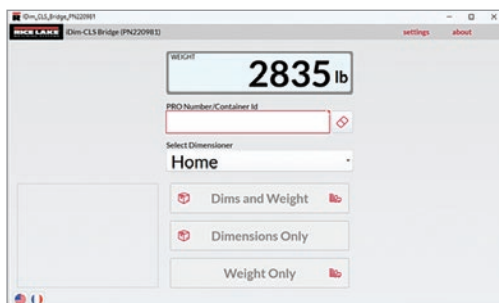


QR Code Application Software

- Windows 10 or greater
- Interfaces to the Virtui³ Server to generate a QR Model 2 Bar Code that is scannable
- Requires installation of Virtui³ (purchased separately)

Part Number/Price

Part #	Description	Price
226345	QR Code application software	\$395.00



Middleware Forklift/Dimensioning Software

- Windows 10 or greater
- Connection between iDimSS and indicators

Part Number/Price

Part #	Description	Price
220981	Middleware forklift/dimensioning software	\$595.00



Standard Features

- Steering wheels and double loading polyurethane rollers
- Four stainless steel IP68 load cells
- Weight indicator in IP65 stainless steel water-resistant enclosure
- Configuration, calibration and diagnostics from keyboard
- Rechargeable battery mounted on the pallet jack
- Accumulation
- Formulation
- ± Checkweighing
- Percentage weighing
- Peak hold

Specifications

Power:

Lead acid battery (included)
Battery charger: 115 VAC 50/60 Hz (included)

Battery Life:

80 hours of continuous use or one month of non-continuous use

Resolution:

Internal: 1,500,000 counts

Annunciators:

Gross/net, lb/kg, zero, tare

Display:

1 in (25 mm) LCD display high contrast digits

Capacity:

Maximum lifting capacity 5,000 lb

Accuracy:

± 0.1% of the maximum capacity

Keys/Buttons:

17 functional keys

Temperature:

Operating:
14 °F to 104 °F (-10 °C to 40 °C)

Material:

Heavy-gauge steel with a durable powder coat finish

Fork Dimensions:

48.75 × 26.75 × 3.125 in
(1240 × 680 × 80 mm)

Weight:

Approx. 360 lb (163 kg)

Warranty:

One-year limited

Part Number/Price

Part #	Description	Est. Weight	Price
183592	Pallet jack scale, RL-HPJ, 5,000 × 1 lb	360 lb	\$2,495.00
220672	Pallet jack scale, RL-HPJ, 5,000 × 1 lb, with printer	365 lb	\$2,920.00

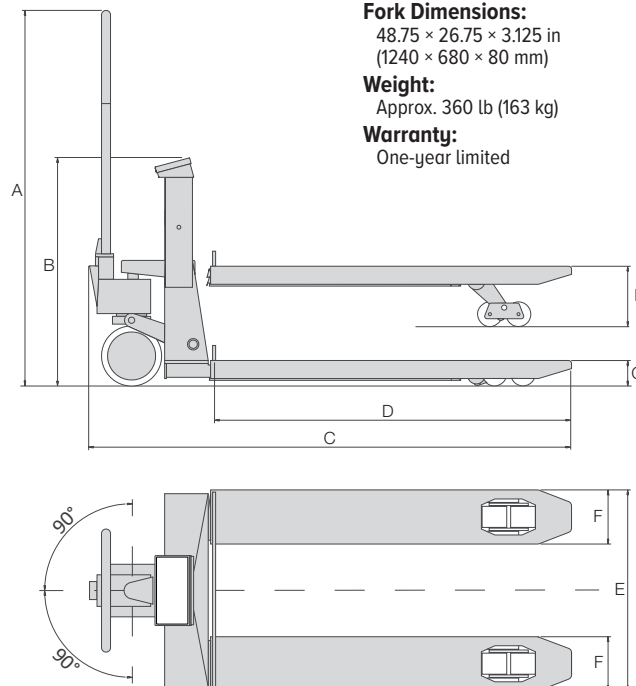
Options/Accessories

Part #	Description	Price
215143	Power supply, 7.2 VDC, 3 A SLA battery charger	\$132.00
215142	Battery, rechargeable	\$158.00
182053	Printer paper roll, 57 mm × 30 m, 12 mm core 51 mm OD	\$3.00

NOTE: See replacement parts page to detail correct part numbers for previous generations

Dimensions

RL-HPJ			
A	47.25 in (1,200 mm)	E	26.75 in (680 mm)
B	30.00 in (762 mm)	F	7.00 in (178 mm)
C	64.25 in (1,631 mm)	G	3.13 in (79 mm)
D	45.25 in (1,149 mm)	H	7.75 in (197 mm)



FORKLIFT / PALLET JACK SCALES

Forklift Questionnaire

Dealer/Company: Date:
Contact Person:
Phone: Fax: Email:

Forklift Specification *If the answer is no, please explain.*

- | | |
|--|---|
| 1. Is the lift a typical counterbalance forklift? <input type="checkbox"/> Yes <input type="checkbox"/> No
<input type="text"/> | 5. Is the supply power 12 VDC? <input type="checkbox"/> Yes <input type="checkbox"/> No
<input type="text"/> |
| 2. Does the forklift have an ITA type carriage? <input type="checkbox"/> Yes <input type="checkbox"/> No
(clip-on/hook)
<input type="text"/> | 6. Forklift capacity: <input type="text"/> |
| 3. Is the carriage a Class II, 16" profile? <input type="checkbox"/> Yes <input type="checkbox"/> No
<input type="text"/> | 7. Mast Extension: <input type="text"/> |
| 4. Is the carriage width greater than 36"? <input type="checkbox"/> Yes <input type="checkbox"/> No
<input type="text"/> | 8. Make: <input type="text"/> |
| | 9. Model: <input type="text"/> |

Load Backstop

If the answer to any question below is no, please provide notes under Additional Comments.

10. Is there a load backstop present? Yes No
If yes, please answer questions A and B.
- A. Is the backstop bolted to the side of the carriage? Yes No
If yes, please complete Drawing #2 on page 2.
- B. Is the backstop bolted to the front of the carriage? Yes No
If yes, please complete Drawing #3 on page 2.
11. Is this a cableless application? Yes No
If yes, please complete Drawing #4.

Additional Comments

Attachments

12. Are attachments present? Yes No
If yes, please list attachments below.
- Description
Make/Model
- Description
Make/Model
- Description
Make/Model

Legal for Trade

13. Is NTEP required? Yes No
14. Is Measurement Canada required? Yes No
15. Is the fork length 42" or less? Yes No

Instrumentation

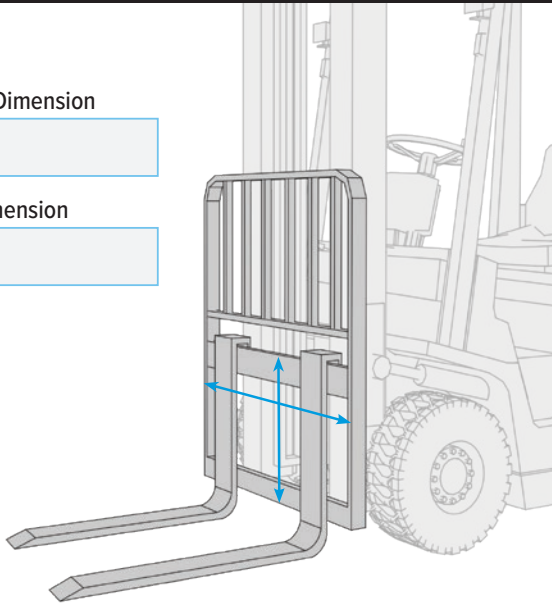
16. Select preferred instrumentation model
- CLS-680 CLS-920i Virtuii³

Forklift Questionnaire

Drawing #1

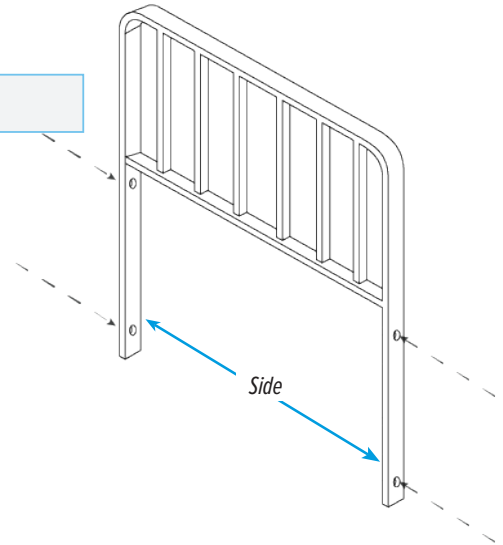
Horizontal Dimension

Vertical Dimension



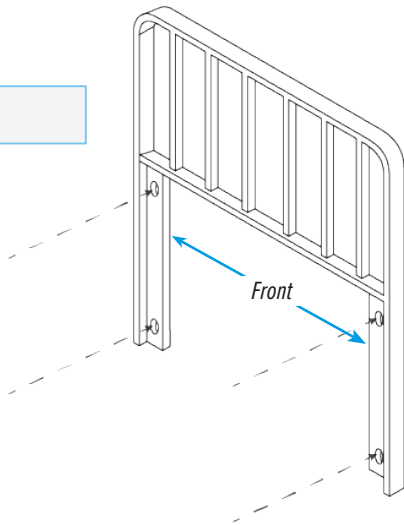
Drawing #2

Dimension



Drawing #3

Dimension



Drawing #4

Dimension

