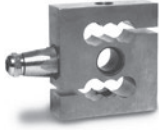


**Page 240**

**UB1, STAINLESS STEEL**



The UB1 stainless steel s-beam is designed for single or multiple-cell tension load applications. Millivolt/volt/ohm factory calibration assures matched outputs for easy calibration in multiple-cell applications. It features true hermetic sealing of both the strain gauge area and cable entry, providing the ultimate in protection from outside elements. 20 ft of field-replaceable cable is included to simplify cable and load cell repairs. Capacities range from 10 kN to 50 kN.



**Page 241**

**UB6, STAINLESS STEEL**



The UB6 stainless steel s-beam is designed to meet the most stringent accuracy requirements. 20 ft of field-replaceable cable is included to simplify cable and load cell repairs. Capacities range from 1 kN to 5 kN.



SINGLE-ENDED BEAMS

**Page 242**

**SLB, STAINLESS STEEL**



This stainless steel, single-ended beam has one of the highest NTEP Certified ratings in the industry. A new generation of potting makes this load cell suitable for tough industrial environments. Capacities range from 200 lb to 5,000 lb. Complete with 10 ft of load cell cable.



**Page 243**

**SB4, STAINLESS STEEL**



The SB4 stainless steel, single-ended beam is designed for multiple-cell applications such as floor scales and tank, bin and hopper weighing systems. It is used exclusively in Rice Lake Weighing Systems' Paramounts® HS mounting systems. Millivolt/volt/ohm factory calibration assures matched outputs for easy calibration. It features true hermetic sealing of both the strain gauge area and cable entry, providing the ultimate in protection from outside elements. Includes field-replaceable load cell cable to simplify cable and load cell repairs. Available in both NTEP Certified and Non-NTEP Certified ranges 5 kN to 100 kN.



**Page 244**

**SB5, STAINLESS STEEL**



The SB5 stainless steel single-ended beam is designed for multiple-cell applications such as floor scales and tank, bin and hopper weighing systems. It is used exclusively in Rice Lake Weighing Systems' Paramounts® EP mounting systems. Millivolt/volt/ohm factory calibration assures matched outputs for easy calibration. Available in both NTEP Certified and Non-NTEP Certified ranges 5 kN to 100 kN.



**Page 245**

**BK2, STAINLESS STEEL**



The BK2 is the latest offering from one of the premier suppliers of quality load cells in the world. This new model was designed to lower the scale profile by providing a load cell that is half the overall height of traditional solutions. Ideal for applications such as low-profile floor scales, this model is constructed of stainless steel and has been environmentally potted to provide suitable protection for indoor applications. In addition, the standard calibration technique used by Flintec® avoids time-consuming calibration for multiple load cell applications. The BK2 is available in capacities from 200 kg to 2,000 kg and includes 10 ft of standard load cell cable.



**Page 246**

**SB6, STAINLESS STEEL**



The SB6 load cell is a stainless steel, fully hermetically sealed, single-ended beam suitable for the harshest environments. The special loading hole provides an excellent price-to-performance ratio, and also allows a very low-profile design. Capacities range from 0.2 kN to 2 kN. Complete with 10 ft of load cell cable.



SINGLE-ENDED BEAMS

Page 247

**SB10, STAINLESS STEEL**



The SB10 load cell is used in the 2.3 kN Paramounts® assemblies. This stainless steel, hermetically sealed load cell provides full IP68 sealing protection for the harshest environments. Ideal for use in multiple-cell floor scale, tank and hopper applications. The unique millivolt/volt/ohm factory calibration assures matched outputs for easy field replacement and calibrations. The capacity of this model is 2.5 kN. Each unit is supplied with 10 ft of load cell cable.



Page 248

**SB14, STAINLESS STEEL**



The SB14 load cell is a stainless steel, fully hermetically sealed, single-ended beam suitable for the harshest environments. Capacities range from 500 lb to 5,000 lb. Complete with 10 ft of load cell cable.



ROCKER COLUMNS

Page 249

**RC1, STAINLESS STEEL**



The RC1 load cell offers stainless steel and real hermetic sealing, making these cells suitable for use in tough industrial environments. Capacities are 250 kN and 400 kN and 50,000 lb. Cable lengths vary from 35 ft to 60 ft for easy field replacement and load cell repairs.



Page 250

**RC3, STAINLESS STEEL**



The RC3 is a stainless steel, hermetically sealed load cell. This rocker design provides superior performance and full hermetic design in applications where moisture and high humidity are problems. Available in capacities from 7.5t to 50t.



SINGLE POINTS

Page 251

**PCB, STAINLESS STEEL**



The PCB is the first full stainless steel, hermetically sealed "brick" type of load cell on the market. This unique design provides superior protection in applications where moisture and high humidity are problems. This model features both a welded gauge cavity area, and waterproof cable entry for long-lasting performance in almost any platform scale application. Interchangeable with the industry's most popular designs, this model provides the ability to upgrade applications. Available in capacities from 50kg to 1,000kg. Each unit includes 10ft of load cell cable.



Page 252

**PC1, STAINLESS STEEL**



PC1 load cells offer stainless steel and an environmentally protected seal, making these cells suitable for use in tough industrial environments. Capacities range from 10 kg to 200 kg.



# Flintec

## SINGLE POINTS

Page 253

### PC3, STAINLESS STEEL



The Flintec® PC3 is a stainless steel, single point load cell. Ideal for harsh environments, the PC3 has an IP67 rating and is environmentally sealed. Capacities range from 7 kg to 150 kg. Complete with 10 ft of load cell cable.



Page 254

### PC4, STAINLESS STEEL



The Flintec® PC4 stainless steel single point is a hermetic load cell that is a great choice for adverse conditions. Capacities from 10 kg to 100 kg are NTEP Certified and OIML approved. Complete with 10ft of cable.



Page 255

### PC6, STAINLESS STEEL



The PC6 load cells offer stainless steel and real hermetic sealing, making these cells suitable for use in tough industrial environments. Includes 3 m of field-replaceable load cell cable to simplify cable and load cell repairs. Capacities range from 20kg to 200kg.



Page 256

### PC7, STAINLESS STEEL



The stainless steel, hermetically sealed PC7 is ideal for washdown applications. Sealed to IP69K standards, the PC7 comes with 3 m of cable and an integrated mounting spacer, making installation easy.



Page 257

### PC2, STAINLESS STEEL



This high-accuracy stainless steel, single-point load cell is an ideal replacement cell for hopper applications where damaged bellows are a problem. This cell also features complete hermetic sealing for use in the toughest environments. This product is offered at 150 kg and comes complete with 10ft of load cell cable.



## PLANAR BEAM

Page 258

### PB, ALUMINUM

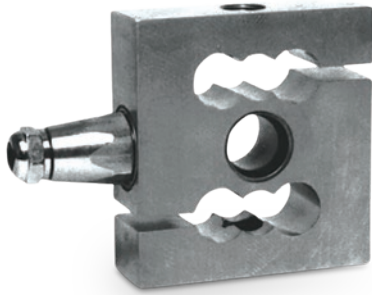


The Flintec® PB planar beam is an inexpensive alternative for use in low profile, light capacity applications. The compact size and mV/V per ohm calibration simplifies installation. Capacities range from 15 kg to 150 kg and includes 1.5 m of load cell cable.



# UB1

Stainless Steel, Hermetically Sealed, OIML C3, IP69K



Picture is a representation of actual product.

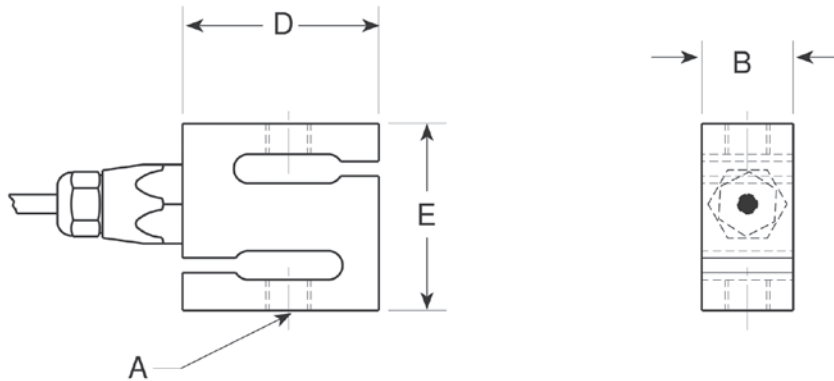
## Dimensions

Rated Capacity kN/in	A*	B	D	E
10-20	5/8-18 UNF	1.18	3.38	3.62
50	1-12 UNF	1.69	5.62	5.37

\*Also available with metric threads

## Order Information

Load Rating	Part #	Est. Weight	Price
10 kN	17073	4 lb	\$747.00
20 kN	17074	4 lb	\$747.00
50 kN	17075	13 lb	\$747.00
Options			
Conduit adapter, 1/2-14 NPT	17703	1 lb	\$50.00



## Specifications

### Full Scale Output:

2.0 mV/V

Matched outputs via mV/V/ohm calibration

### Output Resistance:

1,000 (± 2) ohm

### Input Resistance:

1,100 (± 50) ohm

### Material/Finish:

Stainless steel

### Temperature:

Operating range

0° F to 150° F (-18° C to 65° C)

### Seal Type:

Hermetically sealed, IP69K

### Safe Overload:

200% full scale

### Rated Excitation:

5-10 VDC (15 V maximum)

### Nonlinearity:

0 to -0.03% full scale

### Hysteresis:

0 to +0.05% full scale

### Combined Error:

± 0.03%

### Insulation Resistance:

10,000 megohms

### Cable Length:

20 ft

### Cable Diameter:

0.196 in polyurethane jacket

### Cable Color Code:

Green +Excitation

Black -Excitation

White +Signal

Red -Signal

Yellow Shield

### Warranty:

One-year limited warranty

### Approvals:

FM

OIML





Picture is a representation of actual product.

### Specifications

- Full Scale Output:**  
2.0 mV/V  
Matched outputs via mV/V/ohm calibration
- Output Resistance:**  
1,000 (± 2) ohm
- Input Resistance:**  
1,100 (± 50) ohm
- Material/Finish:**  
Stainless steel
- Temperature:**  
Operating range  
0° F to 150° F (-18° C to 65° C)
- Seal Type:**  
Hermetically sealed, IP69K
- Safe Overload:**  
200% full scale
- Rated Excitation:**  
5-10 VDC (15 V maximum)
- Combined Error:**  
0.02% full scale
- Insulation Resistance:**  
5,000 megohms
- Cable Length:**  
20 ft
- Cable Diameter:**  
0.196 in polyurethane jacket
- Cable Color Code:**  
Green +Excitation  
Black -Excitation  
White +Signal  
Red -Signal  
Yellow Shield
- Warranty:**  
One-year limited warranty
- Approvals:**  
FM  
OIML



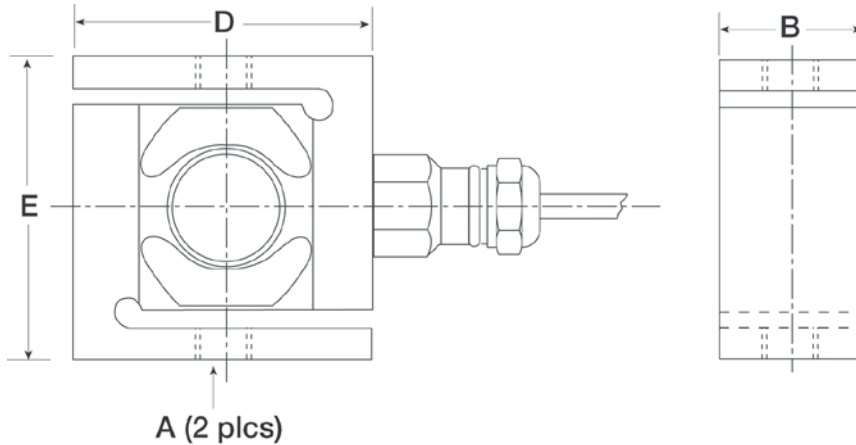
### Order Information

Load Rating	Part #	Est. Weight	Price
1 kN	36214	3 lb	\$640.00
2 kN	36215	3 lb	\$640.00
5 kN	36216	3 lb	\$640.00

### Dimensions

Rated Capacity kN/in	A*	B	D	E
1-5	1/2-20 UNF	1.20	2.42	2.42

\*Also available with metric threads



SINGLE-ENDED BEAM

# SLB

Stainless Steel, Environmentally Sealed, NTEP Certified 1:4,000 Class III Single Cell/1:7,500 Class III Multiple Cell, OIML C3, IP67

FLINTEC



Picture is a representation of actual product.

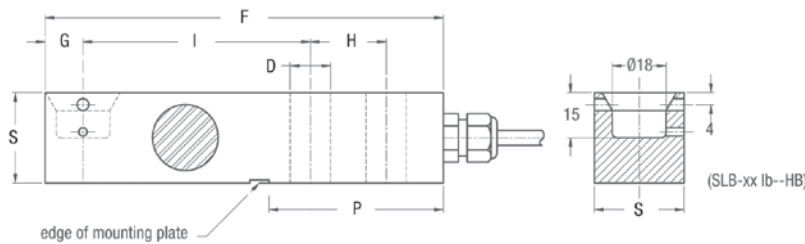
### Dimensions

Rated Capacity lb/in	D	F	G	H	I	P	S
200-5,000	0.51	5.37	0.50	1.00	3.00	2.42	1.19

### Order Information: Blind Hole

Load Rating	Part#	Est. Weight	Price
200 lb	77422	3 lb	\$350.00
500 lb	77423	3 lb	\$350.00
1,000 lb	68527	3 lb	\$350.00
2,500 lb	68528	3 lb	\$350.00
5,000 lb	68529	3 lb	\$350.00

Threaded version obsolete



### Interchangeable Products

FAIRBANKS\*\*

LCF-HR4050-3.....-

\*Stainless overbraided cable

### Specifications

**Full Scale Output:**

2.0 mV/V

**Output Resistance:**

1,000 (± 2) ohm

**Input Resistance:**

1,100 (± 50) ohm

**Material/Finish:**

Stainless steel

**Temperature:**

Compensated range  
14°F to 104°F (-10°C to 40°C)

Operating range  
0° F to 150° F (-18° C to 65° C)

**Seal Type:**

Environmentally sealed, IP67

**Safe Overload:**

200% full scale

**Safe Sideload:**

100% full scale

**Rated Excitation:**

5-10 VDC (15 V maximum)

**Insulation Resistance:**

5,000 megohms

**Combined Error:**

0.01% full scale

**Cable Length:**

10 ft

**Cable Diameter:**

0.196 in polyurethane jacket

**Cable Color Code:**

Green +Excitation  
Black -Excitation  
White +Signal  
Red -Signal  
Yellow Shield

**Warranty:**

One-year limited warranty

**Approvals:**

FM  
NTEP  
OIML



www.ricelake.com | Phone: 800-472-6703



### Weigh Module Available

RICE LAKE WEIGHING SYSTEMS

**Paramounts® HE**..... page 40

RICE LAKE WEIGHING SYSTEMS

**Paramounts® HS**..... page 58

### Specifications

**Full Scale Output:**

2.0 mV/V ± 0.07%  
Matched outputs via mV/V/ohm calibration

**Output Resistance:**

1,000 (± 2) ohm

**Input Resistance:**

1,100 (± 50) ohm

**Material/Finish:**

Stainless steel

**Temperature:**

Compensated range  
14°F to 104°F (-10°C to 40°C)  
Operating range  
0° F to 150° F (-18° C to 65° C)

**Seal Type:**

Hermetically sealed, IP69K

**Safe Overload:**

200% full scale

**Safe Sideload:**

100% full scale

**Rated Excitation:**

5-10 VDC (15 V maximum)

**Combined Error:**

± 0.03% full scale

**Insulation Resistance:**

10,000 megohms

**Deflection at Capacity:**

10 kN=0.012 in  
23 kN=0.02 in  
50 kN=0.012 in  
100 kN=0.016 in

**Cable Length:**

5-23 kN=10 ft  
50-100 kN=15 ft  
Also available in 30 ft.

**Cable Diameter:**

0.196 in polyurethane jacket

**Cable Color Code:**

Green +Excitation  
Black -Excitation  
White +Signal  
Red -Signal  
Yellow Shield

**Warranty:**

One-year limited warranty

**Approvals:**

FM  
NTEP  
OIML



Picture is a representation of actual product.

### Dimensions

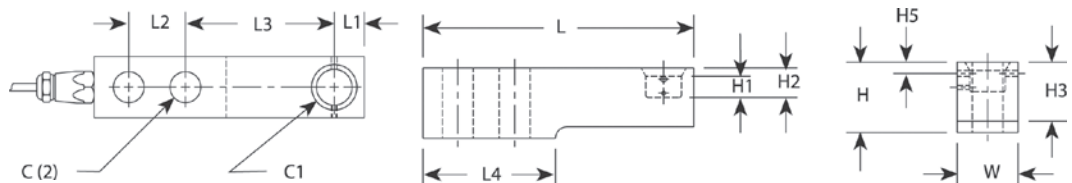
Rated Capacity	C	C1	H	H1	H2	H3	H5	L	L1	L2	L3	L4	W
kN/in													
5-23	0.53	0.71	1.42	0.39	0.59	1.19	0.16	6.10	0.59	1.38	3.15	2.98	1.18
50	0.85	0.98	1.93	0.58	0.81	1.62	0.31	7.48	0.83	1.57	4.13	3.66	1.69
100	1.06	1.18	2.87	0.82	1.21	2.43	—	9.65	1.19	1.97	5.31	4.72	2.36

### Order Information

Load Rating	Part #	Est. Weight	Price
<b>NTEP Certified/OIML</b>			
5 kN	<b>26662</b>	4 lb	\$715.00
10 kN	<b>26663</b>	4 lb	\$715.00
23 kN	<b>26664</b>	4 lb	\$715.00
50 kN	<b>26665</b>	7 lb	\$795.00
<b>Non-NTEP Certified/Non-OIML</b>			
5 kN	<b>17390</b>	4 lb	\$652.00
10 kN	<b>17391</b>	4 lb	\$652.00
23 kN	<b>17392</b>	4 lb	\$652.00
50 kN	<b>17393</b>	7 lb	\$715.00
100 kN	<b>17394</b>	17 lb	\$970.00
<b>Options</b>			
Conduit adapter, 1/2-14 NPT	<b>17703</b>	1 lb	\$50.00

### 30 ft Cables

Load Rating	Part #	Est. Weight	Price
<b>NTEP Certified/OIML</b>			
5 kN	<b>100164</b>	4 lb	\$821.00
10 kN	<b>100165</b>	4 lb	\$821.00
23 kN	<b>100166</b>	4 lb	\$821.00
50 kN	<b>100167</b>	7 lb	\$970.00
<b>Non-NTEP Certified/Non-OIML</b>			
5 kN	<b>100169</b>	4 lb	\$747.00
10 kN	<b>100170</b>	4 lb	\$747.00
23 kN	<b>100171</b>	4 lb	\$747.00
50 kN	<b>100173</b>	7 lb	\$832.00
100 kN	<b>100168</b>	17 lb	\$1,033.00



# SB5

Stainless Steel, Environmentally Sealed, NTEP Certified 1:5,000 Class III Multiple Cell, OIML C3, IP67



Picture is a representation of actual product

## Dimensions

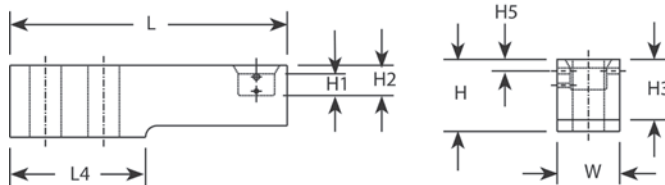
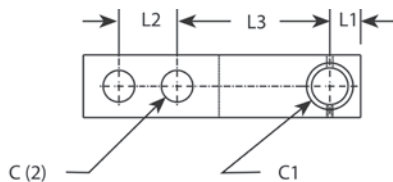
Rated Capacity	C	C1	H	H1	H2	H3	H5	L	L1	L2	L3	L4	W
kN/in													
5-20	0.53	0.71	1.42	0.39	0.59	1.19	0.16	6.10	0.59	1.38	3.15	2.98	1.18
50	0.85	0.98	1.93	0.58	0.81	1.62	0.31	7.48	0.83	1.57	4.13	3.66	1.69
100	1.06	1.18	2.87	0.82	1.21	2.43	—	9.65	1.19	1.97	5.31	4.72	2.36

## Order Information

Load Rating	Part #	Est. Weight	Price
<b>NTEP Certified/OIML</b>			
5 kN	33387	3 lb	\$430.00
10 kN	33388	3 lb	\$430.00
20 kN	33389	3 lb	\$430.00
50 kN	33390	7 lb	\$560.00
<b>Non-NTEP Certified/Non-OIML</b>			
100 kN	33391	16 lb	\$853.00

## 30 ft Cables

Load Rating	Part #	Est. Weight	Price
<b>NTEP Certified/OIML</b>			
5 kN	100174	5 lb	\$487.00
10 kN	100175	5 lb	\$487.00
20 kN	100176	5 lb	\$487.00
50 kN	100177	7 lb	\$720.00
<b>Non-NTEP Certified/Non-OIML</b>			
100 kN	100178	16 lb	\$932.00



## Weigh Module Available

RICE LAKE WEIGHING SYSTEMS  
**Paramounts® EP**..... page 56

## Specifications

### Full Scale Output:

2.0 mV/V ± 0.07%  
 Matched outputs via mV/V/ohm calibration

### Output Resistance:

1,000 (± 2) ohm

### Input Resistance:

1,100 (± 50) ohm

### Material/Finish:

Stainless steel

### Temperature:

Compensated range  
 14°F to 104°F (-10°C to 40°C)  
 Operating range  
 0° F to 150° F (-18° C to 65° C)

### Seal Type:

Environmentally sealed, IP67

### Safe Overload:

200% full scale

### Safe Sideload:

100% full scale

### Rated Excitation:

5-10 VDC (15 V maximum)

### Combined Error:

± 0.03% full scale

### Insulation Resistance:

10,000 megohms

### Deflection at Capacity:

5 kN=0.008 in  
 10 kN=0.012 in  
 20 kN=0.02 in  
 50 kN=0.012 in

### Cable Length:

5-20 kN=10 ft  
 50-100 kN=15 ft  
 Also available in 30 ft

### Cable Diameter:

0.196 in polyurethane jacket

### Cable Color Code:

Green +Excitation  
 Black -Excitation  
 White +Signal  
 Red -Signal  
 Yellow Shield

### Warranty:

One-year limited warranty

### Approvals:

FM  
 NTEP  
 OIML





Stainless Steel, Environmentally Sealed, NTEP Certified 1:5,000 Class III Multiple Cell, IP67

## Specifications

### Full Scale Output:

2.0 ± 0.002

Matched outputs via mV/V/ohm calibration

### Output Resistance:

1,000 (± 2) ohm

### Input Resistance:

1,100 (± 50) ohm

### Material/Finish:

Stainless steel

### Temperature:

Compensated range

14° F to 104° F (-10° C to 40° C)

Operating range

0° F to 150° F (-18° C to 65° C)

### Seal Type:

Environmentally sealed, IP67

### Safe Overload:

200% full scale

### Safe Sideload:

100% full scale

### Rated Excitation:

5-10 VAC/DC (15 V maximum)

### Combined Error:

0.030% full scale

### Insulation Resistance:

5,000 megohms

### Cable Length:

10 ft

Also available in 30 ft

### Cable Diameter:

0.196 in polyurethane jacket

### Cable Color Code:

Green +Excitation

Black -Excitation

White +Signal

Red -Signal

Yellow Shield

### Warranty:

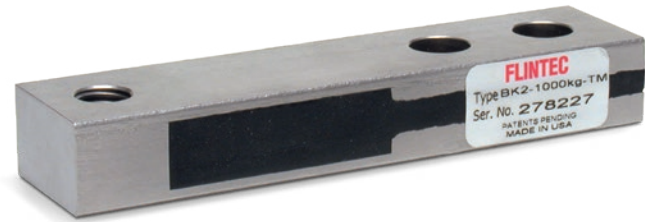
One-year limited warranty

### Approvals:

NTEP

EX

OIML (Available upon request)

Available  
upon  
request

Picture is a representation of actual product.

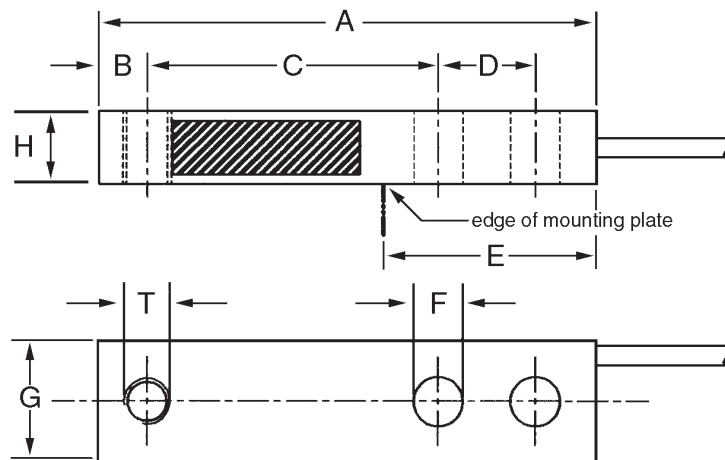
## Dimensions

Rated Capacity	A	B	C	D	E	F	G	H	T*
kg/mm									
200	128.5	12.7	76.2	25.4	53.8	13(2x)	31.8	16.1	1/2-20 UNF
500	128.5	12.7	76.2	25.4	53.8	13(2x)	31.8	16.1	1/2-20 UNF
1,000	128.5	12.7	76.2	25.4	53.8	13(2x)	31.8	19.1	1/2-20 UNF
2,000	130.2	12.7	76.2	25.4	53.8	13(2x)	31.8	25.4	1/2-20 UNF

\*Metric thread is available

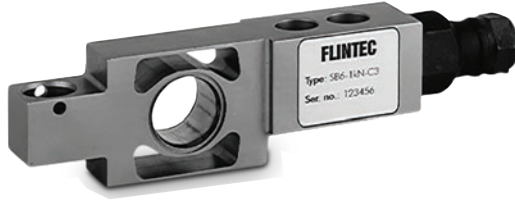
## Order Information

Load Rating	Part #	Est. Weight	Price
<b>NTEP Certified</b>			
500 kg	<b>84839</b>	2 lb	\$243.00
1,000 kg	<b>84840</b>	2 lb	\$243.00
2,000 kg	<b>84841</b>	2 lb	\$243.00
<b>Non-NTEP Certified</b>			
200 kg	<b>84838</b>	2 lb	\$243.00



# SB6

Stainless Steel, Hermetically Sealed, OIML C3, IP68



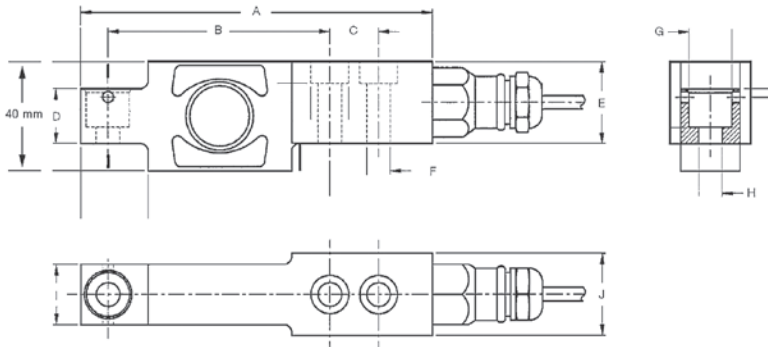
Picture is a representation of actual product.

## Dimensions

Rated Capacity	A	B	C	D	E	F	G	H	I	J
kN/mm										
0.2-2	130.0	82.0	18.0	20.0	30.0	8.7	16.0	8.7	22.0	30.0

## Order Information

Load Rating	Part #	Est. Weight	Price
0.2 kN	41163	3 lb	\$556.00
0.5 kN	41164	3 lb	\$556.00
1 kN	41165	3 lb	\$556.00
2 kN	41166	3 lb	\$556.00



## Specifications

- Full Scale Output:**  
2.0 mV/V
- Output Resistance:**  
1,000 (± 2) ohm
- Input Resistance:**  
1,100 (± 50) ohm
- Material/Finish:**  
Stainless steel
- Temperature:**  
Operating range  
0° F to 150° F (-18° C to 65° C)
- Seal Type:**  
Hermetically sealed, IP68
- Safe Overload:**  
200% full scale
- Safe Sideload:**  
100% full scale
- Rated Excitation:**  
5-10 VDC (15 V maximum)
- Combined Error:**  
0.01% full scale
- Insulation Resistance:**  
5,000 megohms
- Cable Length:**  
10 ft
- Cable Diameter:**  
0.196 in polyurethane jacket
- Cable Color Code:**  
Green +Excitation  
Black -Excitation  
White +Signal  
Red -Signal  
Yellow Shield
- Warranty:**  
One-year limited warranty
- Approvals:**  
FM  
OIML



**Weigh Module Available**

RICE LAKE WEIGHING SYSTEMS

**Paramounts® HE**..... page 40

RICE LAKE WEIGHING SYSTEMS

**Paramounts® HS**..... page 58**Specifications****Full Scale Output:**

2.0 mV/V

**Output Resistance:**

1,000 (± 2) ohm

**Input Resistance:**

1,100 (± 50) ohm

**Material/Finish:**

Stainless steel

**Temperature:**Operating range  
0° F to 150° F (-18° C to 65° C)**Seal Type:**

Hermetically sealed, IP69K

**Safe Overload:**

200% full scale

**Safe Sideload:**

100% full scale

**Rated Excitation:**

5-10 VDC (15 V maximum)

**Nonlinearity:**

0 to -0.03% full scale

**Hysteresis:**

0 to +0.05% full scale

**Insulation Resistance:**

10,000 megohms

**Deflection at Capacity:**

0.008 in

**Cable Length:**

10 ft

**Cable Diameter:**

0.196 in polyurethane jacket

**Cable Color Code:**Green +Excitation  
Black -Excitation  
White +Signal  
Red -Signal  
Yellow Shield**Warranty:**

One-year limited warranty

**Approvals:**

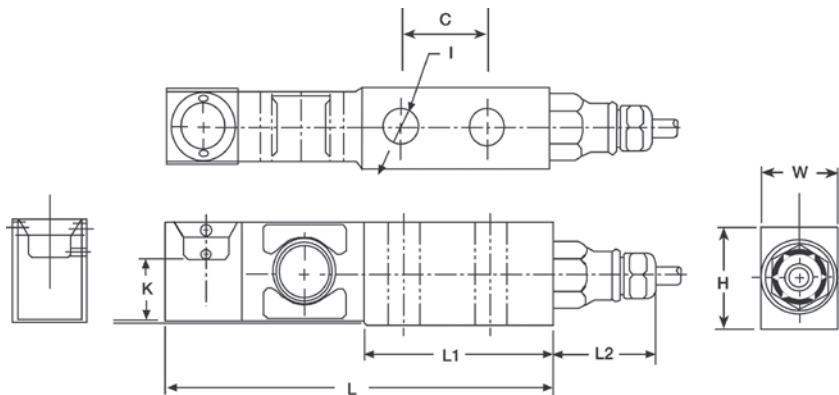
OIML

*Picture is a representation of actual product.***Dimensions**

Rated Capacity	L	L1	L2	H	W	I	K	C
kN/in								
2.3	6.10	2.98	1.60	1.58	0.59	0.54	0.99	1.39

**Order Information**

Load Rating	Part #	Est. Weight	Price
2.3 kN	<b>38215</b>	4 lb	\$1,075.00
Options			
Conduit adapter, 1/2-14 NPT	<b>17703</b>	1 lb	\$50.00



# SB14

Stainless Steel, Hermetically Sealed, NTEP Certified 1:5,000 Class III Multiple Cell, IP69K



Picture is a representation of actual product.

## Dimensions

Rated Capacity lb/in	A	B	C	D	E	F	G	H	I	J
500-5,000	5.25	3.00	1.00	0.50	1.18	2.35	1.61	0.59	1/2-20 UNF	1.22

## Order Information-CU Version\*

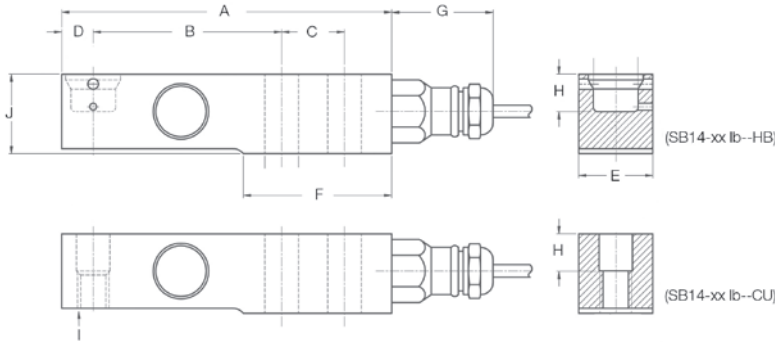
Load Rating	Part#	Est. Weight	Price
500 lb	41167	3 lb	\$493.00
1,000 lb	41168	3 lb	\$493.00
2,500 lb	41169	3 lb	\$493.00
5,000 lb	41170	3 lb	\$493.00

\*CU versions have a counterbore/unified thread 1/2-20UNF

## Order Information-HB Version\*\*

Load Rating	Part#	Est. Weight	Price
500 lb	119556	3 lb	\$493.00
1,000 lb	119557	3 lb	\$493.00
2,500 lb	119558	3 lb	\$493.00
5,000 lb	119559	3 lb	\$493.00

\*\*HB versions have a blind load hole



## Interchangeable Products

FAIRBANKS®  
LCF-HR4060-XX.....-

## Specifications

- Full Scale Output:**  
2.0 mV/V
- Output Resistance:**  
1,000 (± 2) ohm
- Input Resistance:**  
1,100 (± 50) ohm
- Material/Finish:**  
Stainless steel
- Temperature:**  
Compensated range  
14°F to 104°F (-10°C to 40°C)  
Operating range  
0° F to 150° F (-18° C to 65° C)
- Seal Type:**  
Hermetically sealed, IP69K
- Safe Overload:**  
200% full scale
- Safe Sideload:**  
100% full scale
- Rated Excitation:**  
5-10 VDC (15 V maximum)
- Insulation Resistance:**  
5,000 megohms
- Combined Error:**  
± 0.03% full scale
- Cable Length:**  
10 ft
- Cable Diameter:**  
0.196 in polyurethane jacket
- Cable Color Code:**  
Green +Excitation  
Black -Excitation  
White +Signal  
Red -Signal  
Yellow Shield
- Warranty:**  
One-year limited warranty
- Approvals:**  
FM  
NTEP  
OIML (Available upon request)



Available upon request



Stainless Steel, Hermetically Sealed, NTEP Certified 1:10,000 Multiple Cell, OIML C3, IP68

**Interchangeable Products**

FAIRBANKS®

**63215**.....LCF-HR4020-1

FAIRBANKS®

**82052**.....—**Specifications****Full Scale Output:**

2.0 mV/V ± 0.07%

Matched outputs via mV/V/ohm calibration

**Output Resistance:**

351 (± 1) ohm

P/N 170734 1,000 (± 2) ohm

**Input Resistance:**

400 (± 15) ohm

P/N 170734 1,100 (± 50) ohm

**Material/Finish:**

Stainless steel

**Temperature:**

Compensated range

14°F to 104°F (-10°C to 40°C)

Operating range

0° F to 150° F (-18° C to 65° C)

**Seal Type:**

Hermetically sealed, IP68

**Safe Overload:**

200% full scale

**Safe Sideload:**

100% full scale

**Rated Excitation:**

5-10 VDC (15 V maximum)

**Combined Error:**

± 0.02% full scale

**Insulation Resistance:**

5,000 megohms

**Cable Length:**

250 kN=35 ft

400 kN=60 ft

50,000 lb=15 ft overbraid

**Cable Diameter:**

0.196 in polyurethane jacket

**Cable Color Code:**

Green +Excitation

Black -Excitation

White +Signal

Red -Signal

Yellow Shield

**Warranty:**

One-year limited warranty

**Approvals:**

FM

NTEP

OIML



Picture is a representation of actual product.

**Dimensions**

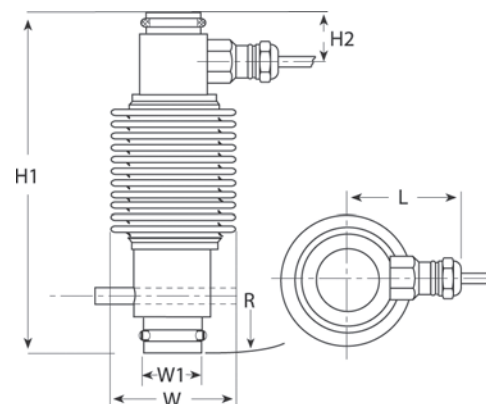
Rated Capacity	H1	H2	L	R	W	W1
kN/in						
250	7.56	1.22	2.44	10.98	2.83	1.46
400	8.86	1.34	2.72	14.02	3.35	1.46
50,000 lb	7.56	1.22	2.44	10.98	2.83	1.46

**Order Information**

Load Rating	Part #	Est. Weight	Price
250 kN*	<b>36217</b>	8 lb	\$858.00
400 kN	<b>36218</b>	10 lb	\$1,457.00
50,000 lb**	<b>170734</b>	8 lb	\$1,075.00
Accessories			
Conduit adapter, 1/2-14 NPT	<b>17703</b>	1 lb	\$50.00
Load cup**, upper (250 kN only)	<b>71602</b>	—	\$185.00
Load cup**, lower (250 kN only)	<b>44290</b>	—	\$181.00
Anti-rotation pin (zinc plated)	<b>110816</b>	—	\$3.00
Anti-rotation pin (stainless steel)	<b>152649</b>	—	\$10.00

\*For Mettler-Toledo® digital to analog conversion: requires replacement of all system load cells, junction box, and instrumentation; consult factory. Kit on page 112.

\*\*1,000ohm bridge



# RC3

Stainless Steel, Hermetically Sealed, NTEP Certified 1:10,000 Class III Multiple Cell, OIML C3, IP69K



Picture is a representation of actual product.

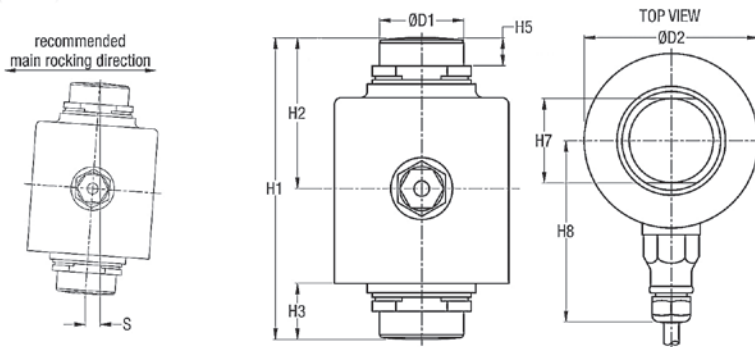
## Dimensions

Rated Capacity	H1	H2	H3	H5	H7	H8	D1	D2
t/in								
7.5-22.5	3.50	1.73	0.67	0.43	1.10	2.95	1.10	2.56
30	5.51	2.76	1.20	0.51	1.55	3.31	1.55	3.19
40	5.91	2.95	1.22	0.51	1.55	3.31	1.55	3.19
50	7.01	3.50	1.26	0.67	1.73	3.71	1.73	3.90

## Order Information

Load Rating	Part #	Est. Weight	Price
7.5t	168944	3 lb	\$795.00
15t	168946	3 lb	\$795.00
22.5t	168947	3 lb	\$795.00
30t	84203	7 lb	\$1,007.00
40t	84204	9 lb	\$1,007.00
50t	84205	10 lb	\$1,282.00
Options			
Upper cup (50t)	111365	5 lb	\$143.00
Lower cup (50t)	111366	5 lb	\$143.00
Upper cup (50t)	154107	5 lb	\$181.00
Lower cup (50t)	154106	5 lb	\$181.00

The kits for the RC3 cells are on page 113. Cups 111365 and 111366 are used in kits 129844 and 111367. Cups 154107 and 154106 are used in kits 154347, 154348 and 154349.



## Interchangeable Products

FAIRBANKS®  
30t LCFHR4020-2A..... 70510

## Specifications

**Full Scale Output:**  
2.0 mV/V

**Output Resistance:**  
1,000 (± 2) ohm

**Input Resistance:**  
1,150 (± 50) ohm

**Material/Finish:**  
Stainless steel

**Temperature:**  
Compensated range  
14° F to 104° F (-10° C to 40° C)  
Operating range  
0° F to 150° F (-18° C to 65° C)

**Seal Type:**  
Hermetically sealed, IP69K

**Safe Overload:**  
200% full scale

**Safe Sideload:**  
200% full scale

**Rated Excitation:**  
5-10 VDC (15 V maximum)

**Combined Error:**  
0.02% full scale

**Insulation Resistance:**  
5,000 megohms

**Cable Length:**  
7.5-22.5 t=40 ft  
30-50 t=18 m

**Cable Diameter:**  
0.307 in polyurethane jacket

**Cable Color Code:**  
Green +Excitation  
Black -Excitation  
White +Signal  
Red -Signal  
Yellow Shield

**Warranty:**  
One-year limited warranty

**Approvals:**  
FM  
NTEP  
OIML



**Interchangeable Products**

- RICE LAKE WEIGHING SYSTEMS  
**RL1250\*** ..... page 204
- RICE LAKE WEIGHING SYSTEMS  
**RLPWM12**..... page 194
- VPG TEDEA-HUNTLEIGH®  
**1250\*** ..... page 358

\* Environmentally sealed



Picture is a representation of actual product.

**Specifications**

- Full Scale Output:**  
2.0 mV/V
- Output Resistance:**  
960 (± 50) ohm
- Input Resistance:**  
1,100 (± 50) ohm
- Material/Finish:**  
Stainless steel
- Temperature:**  
Compensated range  
14°F to 104°F (-10°C to 40°C)  
Operating range  
0° F to 150° F (-18° C to 65° C)
- Seal Type:**  
Hermetically sealed, IP69K
- Safe Overload:**  
200% full scale
- Safe Sideload:**  
100% full scale
- Rated Excitation:**  
5-10 VDC (20 V maximum)
- Combined Error:**  
0.02% full scale
- Insulation Resistance:**  
5,000 megohms
- Deflection at Capacity:**  
0.015 in
- Cable Length:**  
10 ft
- Cable Diameter:**  
0.196 in polyurethane jacket
- Cable Color Code:**  
Green +Excitation  
Black -Excitation  
White +Signal  
Red -Signal  
Yellow Shield
- Max Platform Size:**  
39 in x 39 in
- Warranty:**  
One-year limited warranty

**Approvals:**

- FM
- NTEP
- OIML

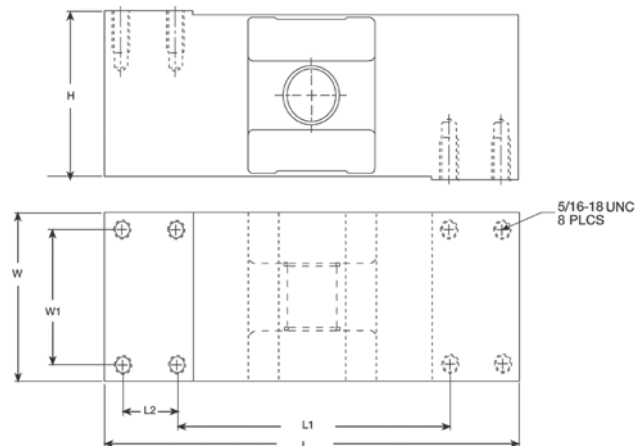


**Dimensions**

Rated Capacity	L	L1	L2	W	W1	H
kg/mm						
50-1,000	190.5	124.8	24.9	74.9	59.9	74.9

**Order Information**

Load Rating	Part #	Est. Weight	Price
50 kg	<b>45274</b>	15 lb	\$900.00
100 kg	<b>45275</b>	15 lb	\$900.00
250 kg	<b>45276</b>	15 lb	\$900.00
500 kg	<b>45277</b>	15 lb	\$900.00
1,000 kg	<b>45278</b>	15 lb	\$900.00
Options			
Conduit adapter, 1/2-14 NPT	<b>17703</b>	1 lb	\$50.00



# PC1

Stainless Steel, Environmentally Sealed, NTEP Certified 1:4,500 Class III Single Cell, OIML C3, IP67



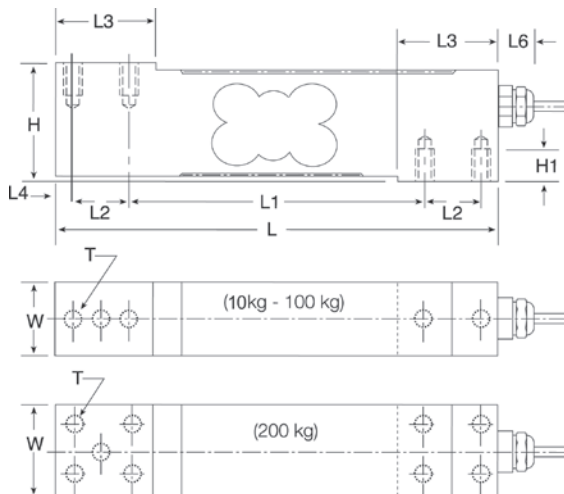
Picture is a representation of actual product.

## Dimensions

Rated Capacity	H	H1	L	L1	L2	L3	L4	L6	W	T
kg/mm										
10-100	40.0	10.0	150.0	100.0	19.0	32.0	6.0	20.0	25.4	1/4-20 UNC x 19.1DP
200	40.0	10.0	150.0	100.0	19.0	32.0	6.0	20.0	38.1	1/4-20 UNC x 19.1DP

## Order Information

Load Rating	Part #	Est. Weight	Price
<b>NTEP Certified</b>			
10 kg	41821	3 lb	\$328.00
15 kg	36219	3 lb	\$328.00
30 kg	36220	3 lb	\$328.00
50 kg	36221	3 lb	\$328.00
75 kg	36222	3 lb	\$328.00
<b>Non-NTEP Certified</b>			
100 kg	36223	3 lb	\$328.00
200 kg	36224	4 lb	\$492.00



## Interchangeable Products

RICE LAKE WEIGHING SYSTEMS  
**RL1385**.....page 200

## Specifications

- Full Scale Output:**  
2.0 mV/V
- Output Resistance:**  
330 (± 25) ohms
- Input Resistance:**  
390 (± 20) ohms
- Material/Finish:**  
Stainless steel
- Temperature:**  
Compensated range  
14°F to 104°F (-10°C to 40°C)  
Operating range  
0° F to 150° F (-18° C to 65° C)
- Seal Type:**  
Environmentally sealed, IP67
- Safe Overload:**  
200% full scale
- Safe Sideload:**  
100% full scale
- Rated Excitation:**  
5-10 VDC (15 V maximum)
- Combined Error:**  
0.02% full scale
- Insulation Resistance:**  
5,000 megohms
- Cable Length:**  
10 ft
- Cable Diameter:**  
0.196 in polyurethane jacket
- Cable Color Code:**  
Green +Excitation  
Black -Excitation  
White +Signal  
Red -Signal  
Yellow Shield
- Max Platform Size:**  
18 in x 18 in
- Warranty:**  
One-year limited warranty
- Approvals:**  
FM  
NTEP  
OIML





**Interchangeable Products**

RICE LAKE WEIGHING SYSTEMS

**RL1380**.....page 199

HBM

**PWS**.....page 267



Picture is a representation of actual product.

**Specifications**

**Full Scale Output:**

2 mV/V

**Output Resistance:**

350 (± 10) ohms

**Input Resistance:**

385 (± 15) ohms

**Material Finish:**

Stainless steel

**Temperature Compensation:**

Compensated Range  
14° F to 104° F (-10° C to 40° C)  
Operating Range  
0° F to 150° F (-18° C to 65° C)

**Seal Type:**

Environmentally Sealed, IP67

**Safe Overload:**

150% full scale

**Rated Excitation:**

5-10 VDC

**Insulation Resistance:**

5,000 megohms

**Max Platform Size:**

7-30 kg=350 mm x 350 mm  
60-150 kg=450 mm x 450 mm

**Combined Error:**

0.02% full scale

**Cable Length:**

10 ft

**Cable Diameter:**

0.140 in polyurethane jacket

**Color Code:**

Green +Excitation  
Black -Excitation  
White +Signal  
Red -Signal  
Yellow Shield

**Warranty:**

One-year limited warranty

**Approvals:**

FM  
NTEP  
OIML

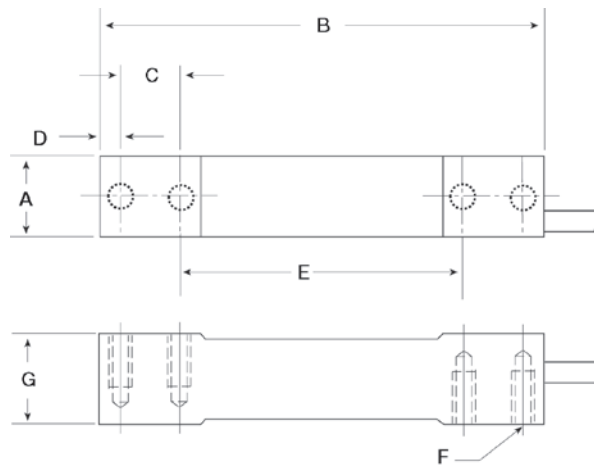


**Dimensions**

Rated Capacity	A	B	C	D	E	F	G
kg/mm							
7-10	18.2	140.0	19.0	6.4	88.9	1/4-20 UNC	30.0
30-60	24.5	140.0	19.0	6.4	88.9	1/4-20 UNC	30.0
100-150	30.8	140.0	22.4	7.8	79.3	3/8-16 UNC	30.0

**Order Information**

Load Rating	Part #	Est. Weight	Price
7 kg	<b>202686</b>	2 lb	\$328.00
10 kg	<b>202687</b>	2 lb	\$328.00
30 kg	<b>202688</b>	2 lb	\$328.00
60 kg	<b>202689</b>	2 lb	\$328.00
100 kg	<b>202690</b>	2 lb	\$328.00
150 kg	<b>202691</b>	2 lb	\$328.00



SINGLE POINT

# PC4

Stainless Steel, Hermetically Sealed, NTEP Certified 1:5,000 Class III Single Cell, OIML C3, IP69K



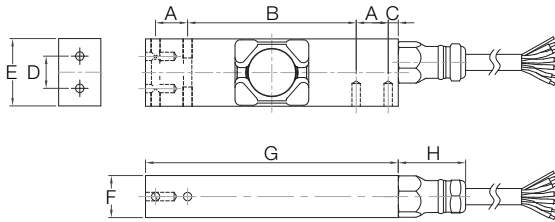
Picture is a representation of actual product.

## Dimensions

Rated Capacity	A	B	C	D	E	F	G	H
kg/mm								
10-100	19.0	100.0	6.0	19.1	40.0	25.0	150.0	40.0

## Order Information

Load Rating	Part #	Est. Weight	Price
10 kg	<b>202692</b>	3 lb	\$630.00
20 kg	<b>202693</b>	3 lb	\$630.00
50 kg	<b>202694</b>	3 lb	\$630.00
100 kg	<b>202695</b>	3 lb	\$630.00



## Interchangeable Products

RICE LAKE WEIGHING SYSTEMS

**RLPWM15HE**.....page 188

HBM

**PW15AH\*** .....page 266

\*350 Ohms

## Specifications

**Full Scale Output:**  
2 mV/V

**Output Resistance:**  
960 (± 50) ohms

**Input Resistance:**  
1,100 (± 50) ohms

**Material Finish:**  
Stainless steel

**Temperature Compensation:**  
Compensated Range  
14° F to 104° F (-10° C to 40° C)  
Operating Range  
0° F to 150° F (-18° C to 65° C)

**Seal Type:**  
Hermetically sealed, IP68

**Safe Overload:**  
150% full scale

**Rated Excitation:**  
5-10 VDC

**Insulation Resistance:**  
Greater than 5,000 megohms

**Max Platform Size:**  
500 mm x 400 mm

**Combined Error:**  
0.02% full scale

**Cable Length:**  
10 ft

**Color Code:**  
Green +Excitation  
Black -Excitation  
White +Signal  
Red -Signal  
Blue +Sense  
Brown -Sense  
Yellow Shield

**Warranty:**  
One-year limited warranty

**Approvals:**  
FM  
NTEP  
OIML



**Interchangeable Products**

RICE LAKE WEIGHING SYSTEMS

**RLPC6** ..... page 187

**Specifications**

**Full Scale Output:**

2.0 mV/V

**Output Resistance:**

960 (± 50) ohms

**Input Resistance:**

1,100 (± 50) ohms

**Material/Finish:**

Stainless steel

**Temperature:**

Compensated range  
14° F to 104° F (-10° C to 40° C)  
Operating range  
0° F to 150° F (-18° C to 65° C)

**Safe Overload:**

200% full scale

**Safe Sideload:**

100% full scale

**Rated Excitation:**

5-10 VDC (15 V maximum)

**Combined Error:**

0.02% full scale

**Insulation Resistance:**

5,000 megohms

**Cable Length:**

3 m

**Cable Color Code:**

Green +Excitation  
Black -Excitation  
White +Signal  
Red -Signal  
Yellow Shield

**Max Platform Size:**

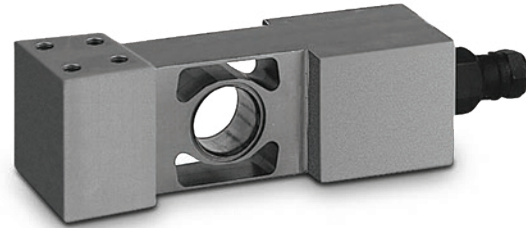
24 in x 24 in

**Warranty:**

One-year limited warranty

**Approvals:**

FM  
NTEP  
OIML



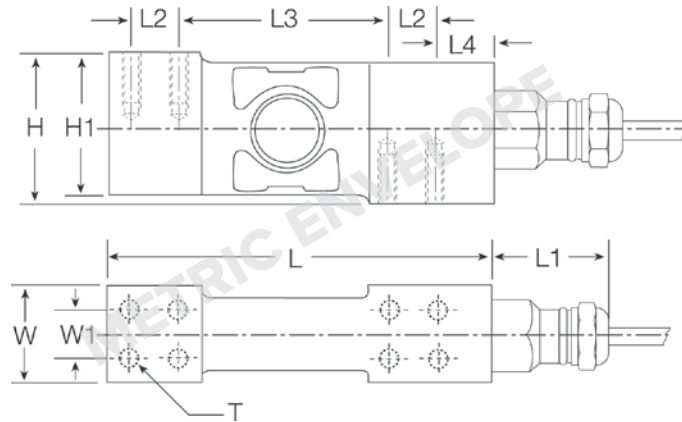
Picture is a representation of actual product.

**Dimensions**

Rated Capacity	H	H1	L	L1	L2	L3	L4	W	W1	T
kg/mm										
20-200	48.0	45.5	123.0	41.0	15.2	67.6	17.8	30.1	15.2	8 x M6/15DP

**Order Information**

Load Rating	Part #	Est. Weight	Price
20 kg	<b>36225</b>	3 lb	\$640.00
50 kg	<b>36226</b>	3 lb	\$640.00
100 kg	<b>36227</b>	3 lb	\$640.00
200 kg	<b>36228</b>	3 lb	\$640.00



# PC7

Stainless Steel, Hermetically Sealed, OIML C3, IP69K



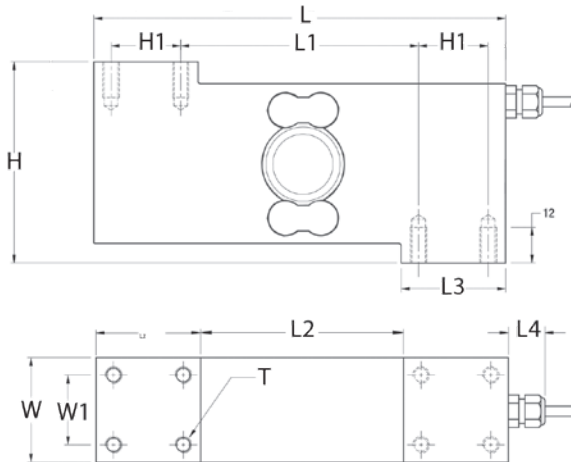
Picture is a representation of actual product.

## Dimensions

Rated Capacity	H	H1	L	L1	L2	L3	L4	W	W1	T
kg/in										
100-500	2.88	1.00	5.91	3.41	2.92	1.50	0.63	1.50	1.00	M8

## Order Information

Load Rating	Part #	Est. Weight	Price
100 kg	161719	6 lb	\$742.00
250 kg	161720	6 lb	\$742.00
500 kg	161721	6 lb	\$742.00



## Interchangeable Products

VPG TEDEA-HUNTLEIGH®

1510..... page 360

## Specifications

**Full Scale Output:**

2 mV/V ±5%

**Output Resistance:**

350 (± 10) ohms

**Input Resistance:**

380 (± 20) ohms

**Material/Finish:**

Stainless steel construction with electro-polished finish

**Temperature:**

Operating range  
0° F to 150° F (-18° C to 65° C)

**Seal Type:**

Hermetically sealed, IP69K

**Safe Overload:**

150% full scale

**Rated Excitation:**

5-15 VDC

**Insulation Resistance:**

5,000 megohms

**Max Platform Size:**

Up to 600 mm x 600 mm

**Cable Length:**

3 m

**Cable Color Code:**

- Green +Excitation
- Black -Excitation
- White +Signal
- Red -Signal
- Blue +Sense
- Brown -Sense
- Yellow Shield

**Warranty:**

One-year limited warranty

**Approvals:**

OIML



## Specifications

**Full Scale Output:**

2.0 mV/V

**Output Resistance:**
960 ( $\pm 50$ ) ohms
**Input Resistance:**
1,100 ( $\pm 50$ ) ohms
**Material/Finish:**

Stainless steel

**Temperature :**
Operating range  
0° F to 150° F (-18° C to 65° C)
**Seal Type:**
Hermetically sealed, IP68  
*Picture is a representation of actual product.*
**Safe Overload:**

200% full scale

**Safe Sideload:**

100% full scale

**Rated Excitation:**

5-10 VDC (15 V maximum)

**Insulation Resistance:**

5,000 megohms

**Combined Error:**

0.02% full scale

**Cable Length:**

10 ft

**Cable Diameter:**

0.196 in polyurethane jacket

**Cable Color Code:**
Green +Excitation  
Black -Excitation  
White +Signal  
Red -Signal  
Blue +Sense  
Brown -Sense  
Yellow Shield
**Warranty:**

One-year limited warranty

**Approvals:**

FM

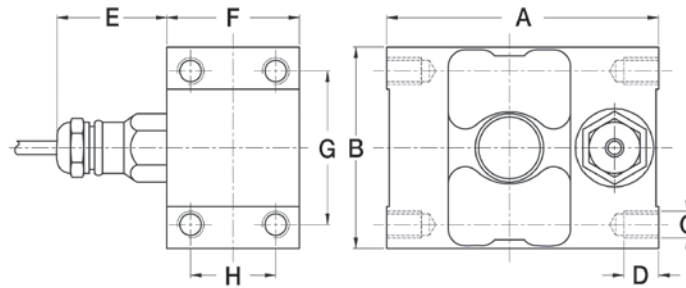


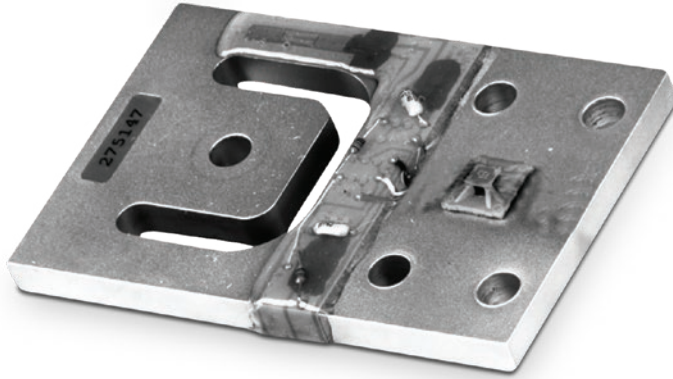
## Dimensions

Rated Capacity	A	B	C	D	E	F	G	H
kg/mm								
150	101.6	75.0	M10	13.0	41.0	49.5	57.2	31.8

## Order Information

Load Rating	Part #	Est. Weight	Price
150 kg	41176	2 lb	\$1,160.00





**Interchangeable Products**

RICE LAKE WEIGHING SYSTEMS  
**RLBLP** ..... page 208

**Specifications**

- Full Scale Output:**  
1 mV/V
- Output Resistance:**  
1,000 (± 10) ohm
- Input Resistance:**  
1,180 (± 50) ohm
- Material/Finish:**  
Aluminum
- Temperature:**  
Operating range  
0° F to 150° F (-18° C to 65° C)
- Seal Type:**  
Environmentally sealed, IP65
- Safe Overload:**  
150% full scale
- Rated Excitation:**  
5-10 VDC
- Combined Error:**  
0.060% full scale
- Insulation Resistance:**  
5,000 megohms
- Cable Length:**  
1.5 m
- Cable Color Code:**  
Green +Excitation  
Black -Excitation  
White +Signal  
Red -Signal  
Yellow Shield
- Warranty:**  
One-year limited warranty

**Dimensions**

Rated Capacity	L1	L2	L3	L4	L5	W1	W2	H1	D1	D2	Deflection (mm) at E max
kg/mm											
15	70.0	4.9	14.0	28.0	23.7	39.0	27.8	4.1	7.6	5.1	0.3
37.5	76.2	6.0	15.0	29.3	27.0	44.5	30.0	4.8	7.6	6.6	0.4
75	84.4	6.4	15.0	34.0	27.7	54.8	30.0	6.4	7.6	6.6	0.4
150	107.3	7.8	22.9	45.9	38.4	69.9	44.5	7.9	9.1	8.1	0.6

**Order Information**

Load Rating	Part #	Est. Weight	Price
15 kg	<b>96361</b>	1 lb	\$85.00
37.5 kg	<b>96362</b>	1 lb	\$90.00
75 kg	<b>96363</b>	1 lb	\$96.00
150 kg	<b>96364</b>	1 lb	\$108.00

