

Ishida WM-Ai



Ishida WM-Ai

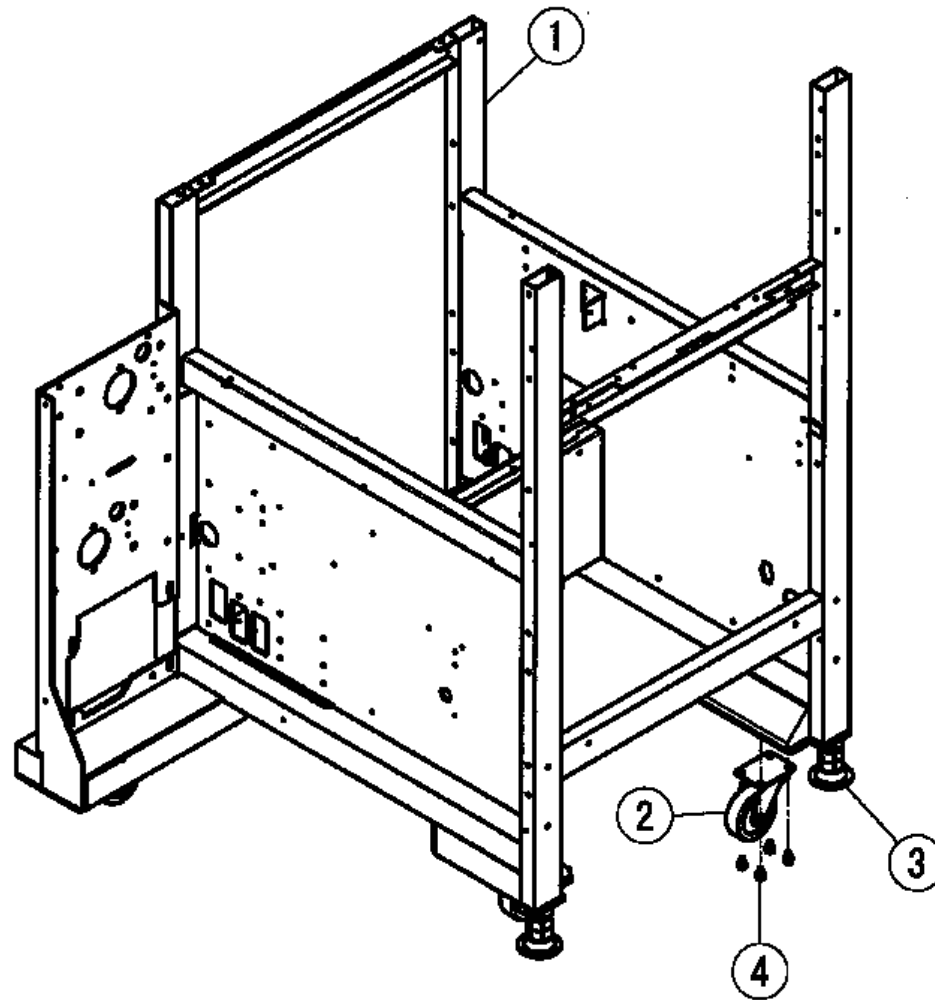
Main Body

Part Number/Price

REF #	PART #	DESCRIPTION	QTY	SYNONYM	PRICE
1	Consult	Frame, main body	1	000-135-2503-67	\$4,722.00
2	Consult	Caster, universal	4	000-079-3136-03	\$37.00
3	47246	Jack bolt assy	4	000-057-0319-04	\$34.00
4	Consult	Hex bolt, bolt and washer assy S2P2 M6x12 mm SST	16	000-040-3859-00	\$1.00

Ishida WM-Ai

Main Body



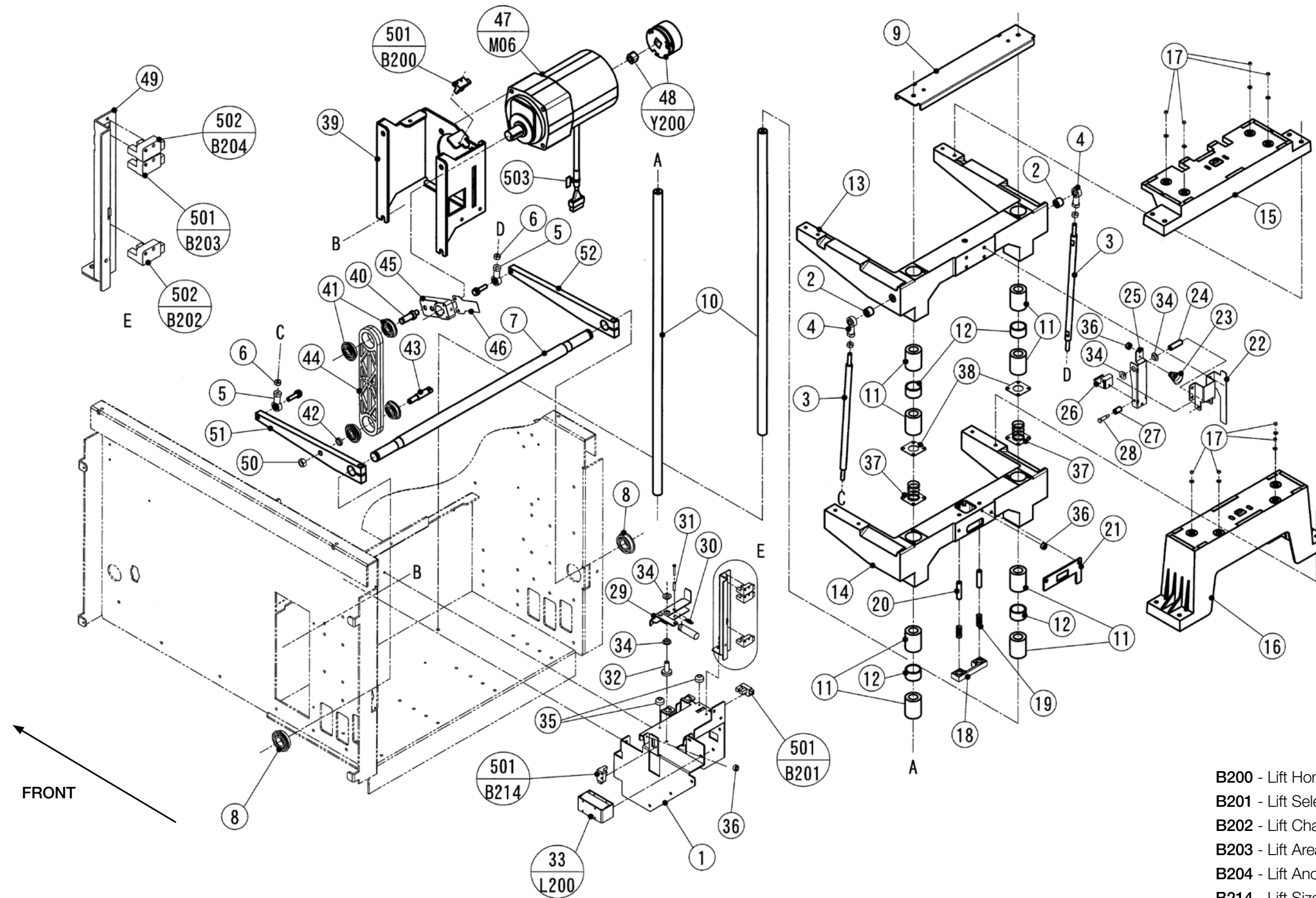
Lift Drive Unit

Part Number/Price

REF #	PART #	DESCRIPTION	QTY	SYNONYM	PRICE
1	Consult	Frame, change over	1	000-135-2501-42	\$85.00
2	Consult	Collar, joint, lift drive	2	000-137-0596-05	\$10.00
3	189101	Threaded rod, turnbuckle	2	000-135-0023-21	\$35.00
4	172319	Rod end, type I, F	2	000-000-3738-06	\$37.00
5	172320	Rod end, type I, F	2	000-004-1447-04	\$19.00
6	189102	Hex nut, T1, left hand thread	2	000-000-0109-02	\$1.00
7	Consult	Shaft, fulcrum, step	1	000-132-2066-36	\$193.00
8	172321	Bearing, radial, deep groove	2	000-028-1567-05	\$13.00
9	Consult	Bracket, shaft, linear	1	000-139-9131-04	\$27.00
10	188730	Shaft, linear, lift	2	000-135-0030-00	\$83.00
11	157900	Bearing, linear bush	8	000-069-4929-04	\$23.00
12	188731	Collar, spacer	4	000-086-7380-17	\$7.00
13	Consult	Stay, drive, front	1	000-135-7294-01	\$162.00
14	Consult	Stay, drive, rear	1	000-112-6592-17	\$162.00
15	196416	Base assy, lift head front	1	000-112-6593-01	\$63.00
16	196417	Base assy, lift head rear	1	000-112-6594-05	\$71.00
17	198651	Collar, lift head	8	000-112-6872-01	\$1.00
18	Consult	Block B, grip change over	1	000-111-8434-02	\$3.00
19	172318	Spring, coil, compressive	2	000-109-8110-14	\$3.00
20	Consult	Threaded rod, round, FF	2	000-106-6850-18	\$5.00
21	Consult	Plate B, interface, fix	1	000-139-9106-01	\$18.00
22	189103	Bracket, link, change over	1	000-137-0744-00	\$29.00
23	172322	Spring, coil, compressive	1	000-109-8013-25	\$5.00
24	189104	Threaded, rod, round, FF	1	000-106-6857-13	\$4.00
25	189105	U plate B, grip, change over	1	000-112-6616-03	\$8.00
26	189106	Block B, grip, change over	1	000-111-8381-09	\$13.00
27	189107	Collar	1	000-106-6845-28	\$5.00
28	189108	Step screw	1	000-106-6844-33	\$7.00
29	Consult	Link assy, change over	1	000-133-5570-08	\$48.00
30	172326	Spring, coil, compressive	1	100-007-0942-00	\$7.00
31	189109	Collar, spacer	1	000-111-5657-05	\$1.00
32	Consult	Pin, fulcrum, change	1	000-106-6840-48	\$7.00
33	189110	Solenoid, change, L200	1	000-145-8377-01	\$30.00
34	Consult	Bush	4	000-031-9453-01	\$3.00
35	Consult	Rubber pad	2	000-071-4717-02	\$1.00
36	189111	Rubber pad	3	000-039-8056-01	\$1.00
37	172328	Spring assy, coil, compressive	2	000-086-7395-21	\$30.00
38	Consult	Plate A	2	000-109-5556-20	\$5.00
39	Consult	Bracket, motor, drive	1	000-135-0025-29	\$88.00
40	Consult	Pin, crank	1	000-135-0021-06	\$12.00
41	48174	Bearing, radial, deep groove	4	000-004-1478-00	\$12.00
42	189112	Collar, spacer, bearing	1	000-137-0660-01	\$14.00
43	189113	Pin, fulcrum, link	1	000-135-0020-02	\$9.00
44	Consult	Block A, link drive	1	000-135-7306-02	\$27.00
45	Consult	Block B, crank	1	000-135-7386-01	\$37.00
46	189114	Detect plate, crank, lift	1	000-135-0022-00	\$6.00
47	172329	Motor, DC brushless, geared, M06	1	000-135-2936-01	\$808.00
48	172334	Brake assy, lift, Y200	1	000-135-2613-08	\$97.00
49	189114	Bracket, sensor	1	000-137-8068-13	\$6.00
50	125410	Hex nut, T2, M8-1.25, SST, with nylon lock	1	000-002-2278-01	\$1.00
51	189116	Arm, lift, slit	1	000-135-0024-25	\$80.00
52	189117	Arm, lift, slit	1	000-139-9046-01	\$68.00
501	104239	Photo interrupter, transmitter, 90 connector, B200, B201, B203, B214	4	000-070-5204-14	\$9.00
502	157856	Photo interrupter, transmitter, B202, B204	2	000-070-5205-18	\$11.00
503	Consult	Accessory band, marking tie	1	000-135-2731-04	\$2.00

Ishida WM-Ai

Lift Drive Unit



- B200 - Lift Home Position
- B201 - Lift Select
- B202 - Lift Changeover Position
- B203 - Lift Area
- B204 - Lift Anomaly Detection
- B214 - Lift Size Change, Home Position

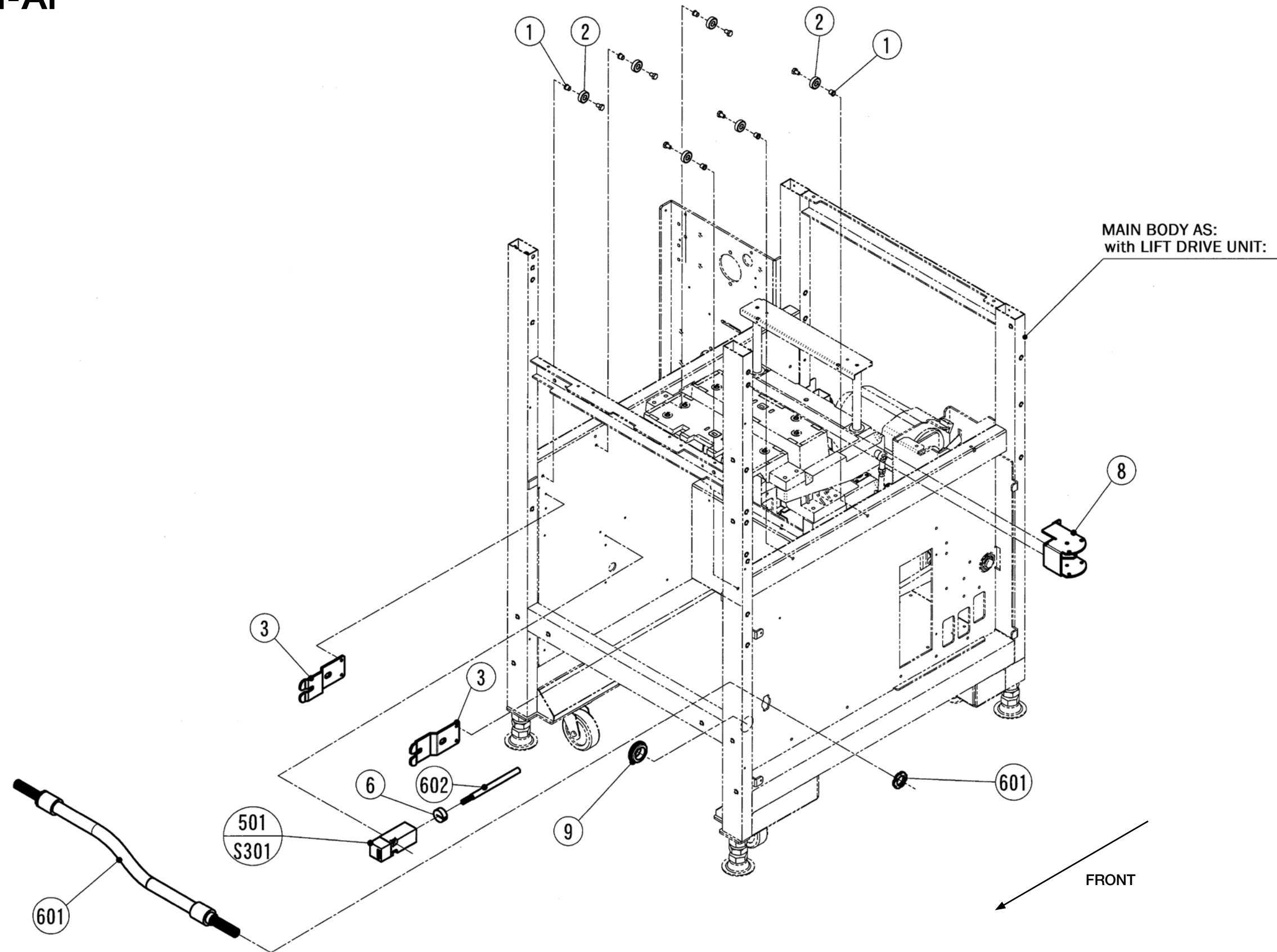
Main Body Unit

Part Number/Price

REF #	PART #	DESCRIPTION	QTY	SYNONYM	PRICE
1	Consult	Collar, step	6	000-131-1646-08	\$3.00
2	47165	Bearing, radial	6	000-000-3610-03	\$6.00
3	Consult	Bracket, infeed	2	000-135-0134-21	\$10.00
6	Consult	Cap, harness, switch	1	000-091-0707-09	\$2.00
8	Consult	Bracket, arm	1	000-135-0029-14	\$41.00
9	Consult	Grommet with diaphragm	1	000-006-7008-09	\$2.00
501	157866	Switch, safety, infeed, S301	1	000-111-8428-00	\$77.00
601	176681	Harness, C11, infeed	1	000-135-0125-39	\$220.00
602	Consult	Harness, C5, SW	1	000-135-0403-23	\$9.00

Ishida WM-Ai

Main Body Unit



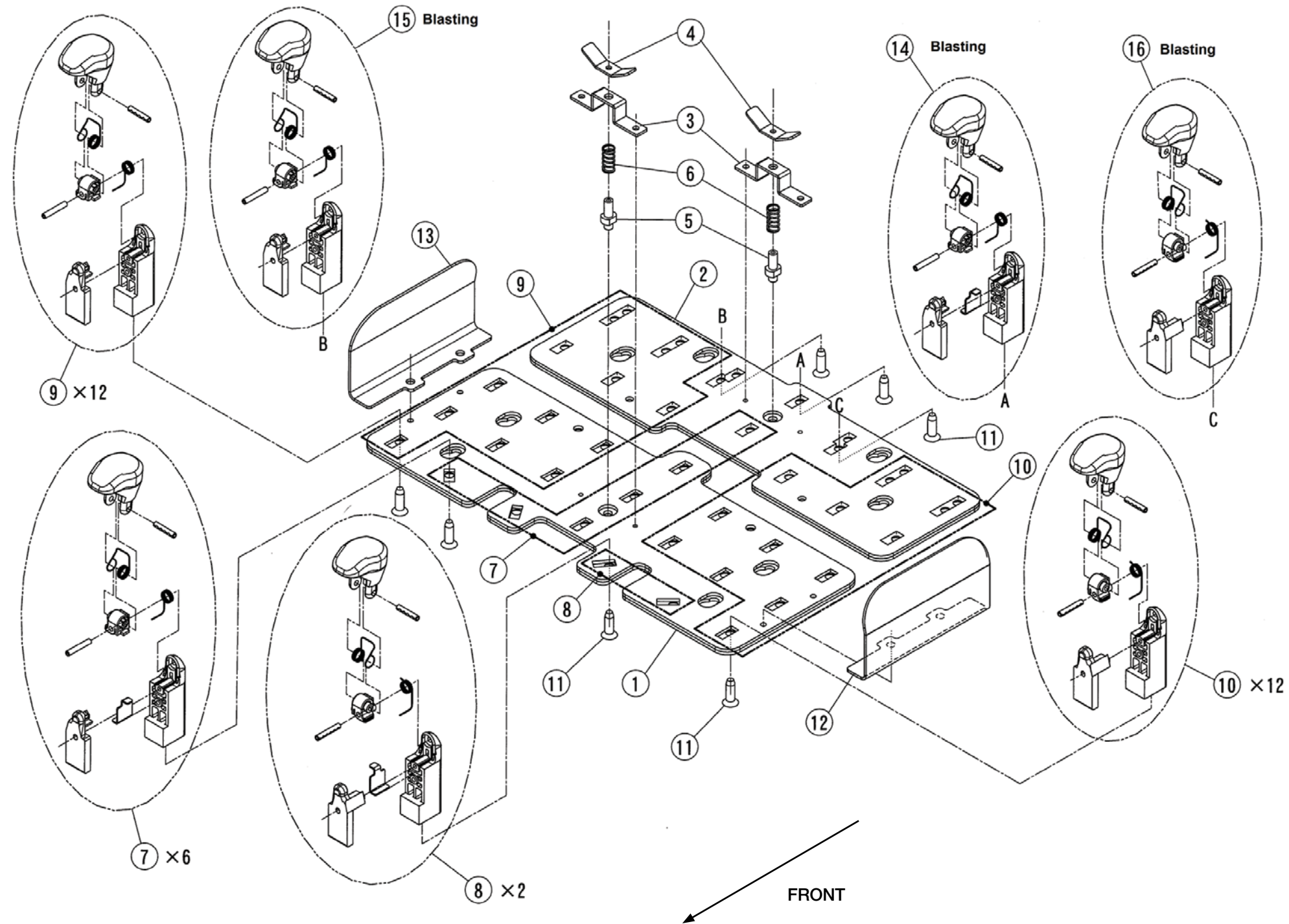
Lift Head Unit

Part Number/Price

REF #	PART #	DESCRIPTION	QTY	SYNONYM	PRICE
1	191262	Plate B, head, lift F	1	000-149-6850-08	\$103.00
2	191263	Plate B, head, lift R	1	000-112-6650-01	\$80.00
3	157844	Bracket, lift, fix	2	000-116-1863-08	\$13.00
4	157845	Plate, lift, head	2	000-116-1864-01	\$13.00
5	157846	Shaft, lift, fix	2	000-101-1727-09	\$11.00
6	172335	Spring, coil, compressive	2	000-136-3677-07	\$3.00
7	125697	Lift head assy LF	6	000-112-6761-01	\$28.00
8	171831	Lift head, assy RF	2	000-112-6762-04	\$28.00
9	125698	Lift head, assy L	12	000-112-6763-08	\$26.00
10	125699	Lift head, assy R	12	000-112-6764-01	\$26.00
11	159701	Tapping screw, M4x14, SST, cross flat head	35	000-090-0595-01	\$1.00
12	Consult	Guard, film, lift F	1	000-149-6848-18	\$25.00
13	Consult	Guard, film, lift F	1	000-149-6849-11	\$25.00
14	171832	Lift head assy, LF blast	1	000-150-7136-08	\$33.00
15	171833	Lift head assy, L blast	1	000-150-7135-04	\$33.00
16	171834	Lift head assy, R blast	1	000-150-7134-01	\$33.00

Ishida WM-Ai

Lift Head Unit



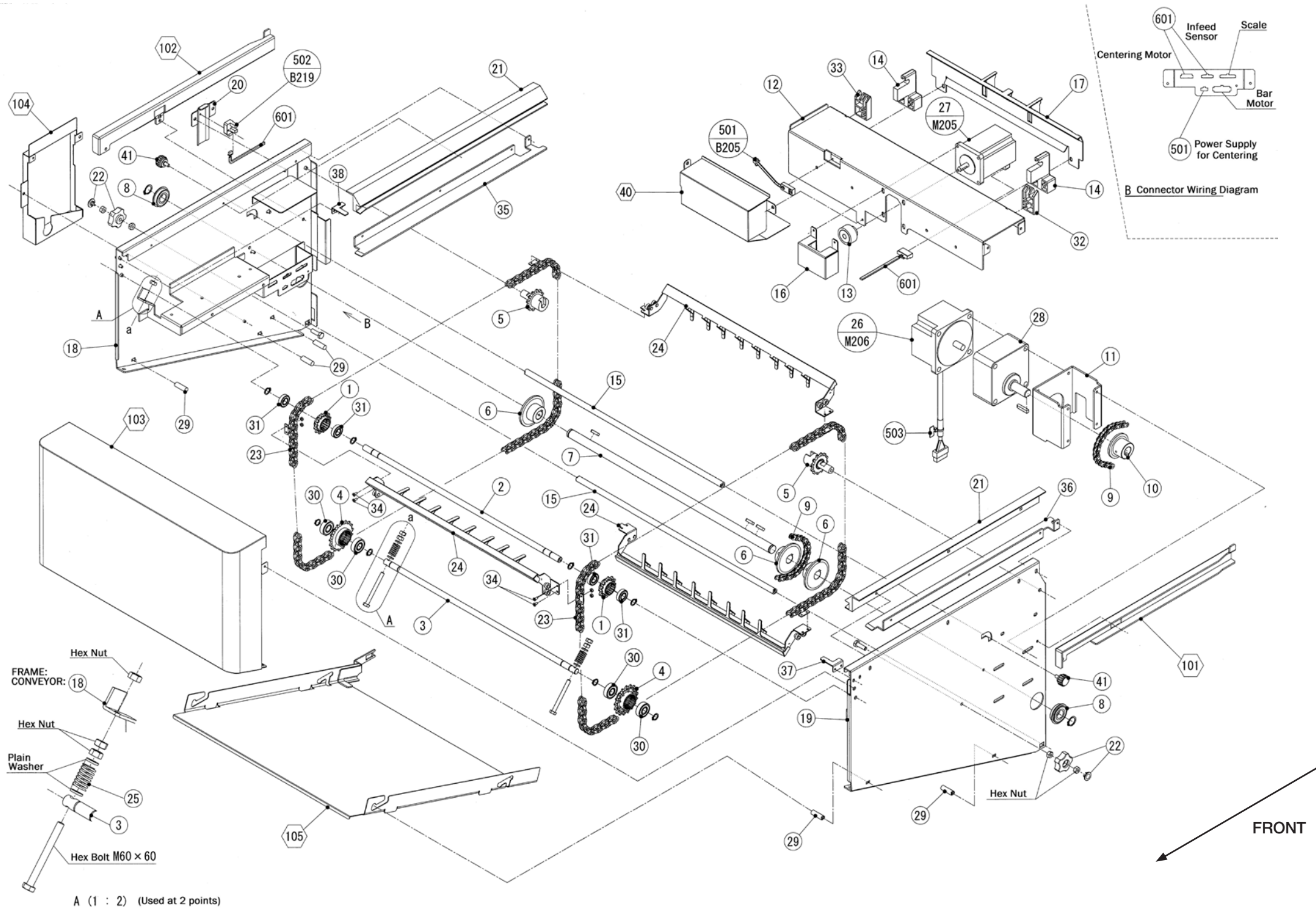
Infeed Unit

Part Number/Price

REF #	PART #	DESCRIPTION	QTY	SYNONYM	PRICE
1	172491	Sprocket, 35, C	2	000-111-8388-04	\$4.00
2	193544	Shaft, fixed	1	000-139-9177-05	\$150.00
3	189119	Shaft, tension	1	000-106-6974-25	\$138.00
4	172496	Sprocket, 35, C	2	000-111-8389-08	\$6.00
5	172499	Sprocket assy	2	000-076-9971-16	\$71.00
6	189120	Sprocket, T35, B	3	000-076-9805-11	\$30.00
7	193545	Shaft, drive	1	000-135-2527-29	\$147.00
8	106115	Bearing, radial, deep groove	2	000-030-6366-02	\$12.00
9	172503	Chain, drive, roller	1	100-002-2186-00	\$77.00
10	189121	Sprocket, T35, B	1	000-135-7309-12	\$36.00
11	Consult	Bracket, motor, conveyor	1	000-135-0473-42	\$33.00
12	Consult	Bracket, cover, motor	1	000-135-0135-16	\$71.00
13	193373	Gear, flat	1	000-076-1963-08	\$48.00
14	189122	Holder, shaft, lower	2	000-076-9797-05	\$6.00
15	Consult	Threaded rod, round, FF	2	000-135-0132-15	\$91.00
16	Consult	Cover, gear	1	000-072-2200-04	\$23.00
17	172504	Guide, transfer	1	000-149-6865-12	\$103.00
18	189123	Frame, conveyor, L	1	000-135-0496-76	\$209.00
19	Consult	Frame, conveyor, R	1	000-135-0495-72	\$188.00
20	Consult	Bracket, sensor, power	1	000-135-0500-22	\$15.00
21	157850	Guide, pusher, LR	1	000-101-1852-01	\$198.00
22	47159	Knob w/nut, M6	2	000-000-1543-00	\$4.00
23	171835	Chain, roller, infeed pusher	2	100-004-7503-00	\$209.00
24	171836	Pusher, infeed, SST	3	100-004-7481-00	\$185.00
25	172505	Spring, coil, compressive	2	000-147-3202-08	\$5.00
26	172506	Motor, DC brushless, infeed drive, M206	1	000-135-2941-00	\$230.00
27	172507	Motor, stepping, centering, M205	1	000-111-8044-12	\$129.00
28	172508	Gear head	1	000-140-7032-05	\$206.00
29	196739	Pin, feed, fulcrum	5	000-090-0912-09	\$6.00
30	84792	Bearing, radial, deep groove	4	000-051-4933-02	\$12.00
31	47168	Bearing, radial, deep groove	4	000-000-3659-05	\$20.00
32	189124	Guide, chain	1	000-111-8483-05	\$4.00
33	189125	Guide, chain	1	000-111-8484-09	\$4.00
34	187604	Hex socket bolt, low head, M3x6 SST	12	000-112-6796-01	\$3.00
—	188649	Nut, M3, SST	12		\$1.00
35	Consult	Supporter, rail	1	100-001-6424-00	\$19.00
36	Consult	Supporter, rail	1	100-001-6425-00	\$19.00
37	Consult	L plate B, rail	1	000-150-3202-06	\$10.00
38	Consult	L plate B, rail	1	000-150-3201-02	\$10.00
40	Consult	Cover, connector, inside	1	000-135-0483-31	\$25.00
41	189126	Knob bolt	2	000-135-2530-02	\$24.00
101	189127	Rail, right	1	000-137-0951-42	\$44.00
102	189128	Rail, left	1	000-137-0952-45	\$44.00
103	185534	Cover, conveyor	1	000-137-0949-52	\$173.00
104	Consult	Cover, harness	1	000-137-0964-23	41.00
105	189129	Cover, lower	1	000-134-8222-38	\$97.00
501	172509	Sensor, centering, B205	1	000-135-0306-16	\$70.00
502	104239	Photo interrupter, infeed pusher, home, 90 connector, B219	1	000-070-5204-14	\$9.00
503	Consult	Accessory, band, marking tie	1	000-135-2738-00	\$2.00
601	196493	Harness, C4, centering motor, infeed sensor	1	000-135-0399-12	\$17.00

Ishida WM-Ai

Infeed Unit



B205 - Centering Conveyor, Home Position
 B219 - Infeed Pushers, Home Position

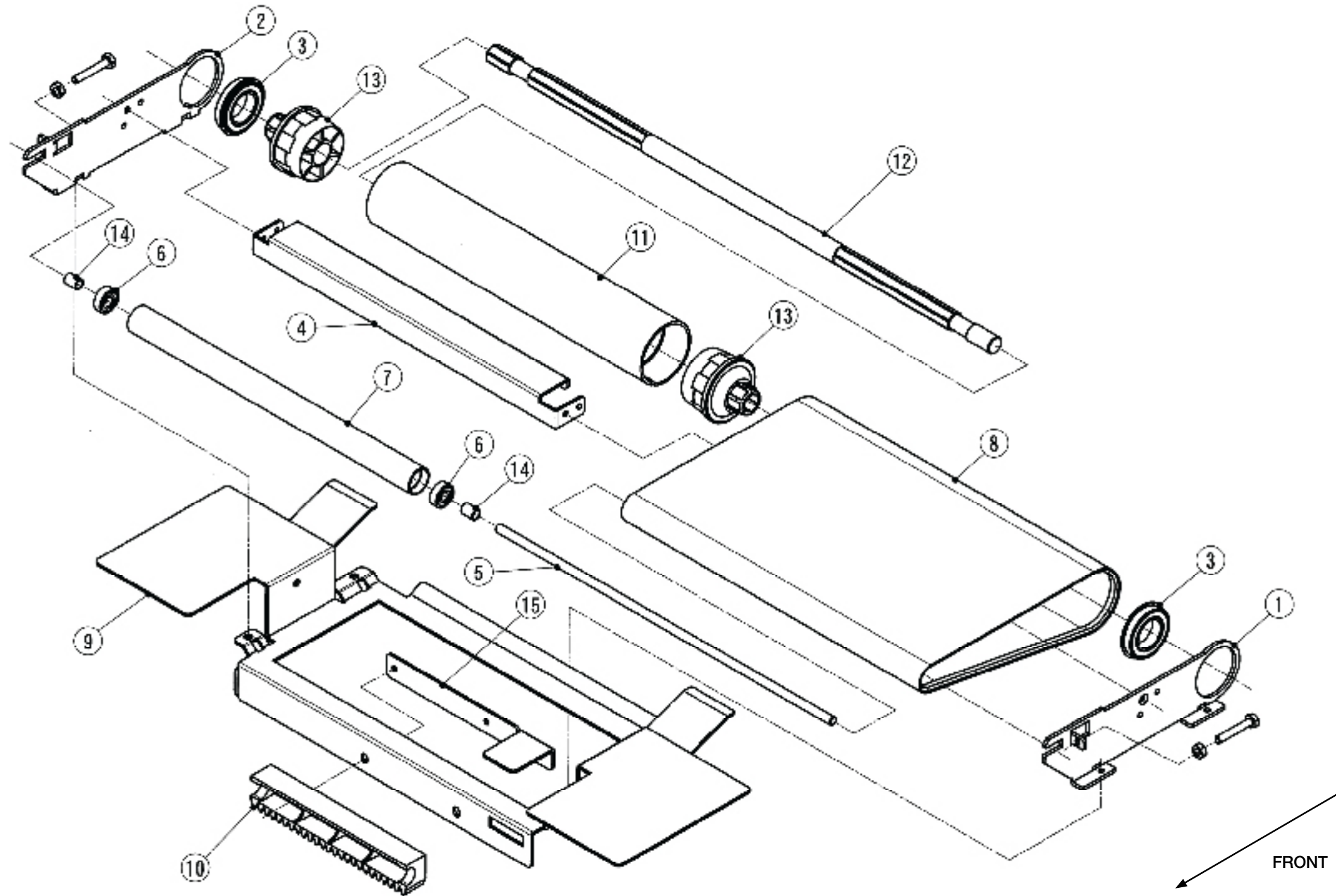
Centering Unit

Part Number/Price

REF #	PART #	DESCRIPTION	QTY	SYNONYM	PRICE
1	185566	Frame, conveyor, centering	1	100-001-5946-00	\$7.00
2	185567	Frame, conveyor, centering	1	100-001-5947-00	\$7.00
3	172510	Bearing, radial, deep groove	2	000-076-1701-09	\$23.00
4	185568	Supporter, belt, centering	1	000-106-6977-26	\$33.00
5	182975	Shaft, follower	1	000-149-6861-09	\$77.00
6	172511	Bearing, radial	2	000-037-5046-08	\$14.00
7	182976	Roller, follower	1	000-149-6860-04	\$66.00
8	172513	Flat belt, centering, blue	1	000-149-6857-02	\$109.00
9	185571	Bracket, rack	1	000-149-6879-14	\$103.00
10	157896	Gear, rack	1	000-076-1842-01	\$6.00
11	182977	Roller, drive	1	000-149-6859-00	\$81.00
12	182978	Shaft, drive	1	000-106-6973-12	\$118.00
13	182979	Bush, roller	2	100-001-5929-00	\$2.00
14	182980	Collar	2	100-000-4491-00	\$8.00
15	185576	Bracket, gear, rack	1	000-150-3045-09	\$21.00
999	186569	Centering unit assembly	1	000-150-3106-05	\$567.00

Ishida WM-Ai

Centering Unit



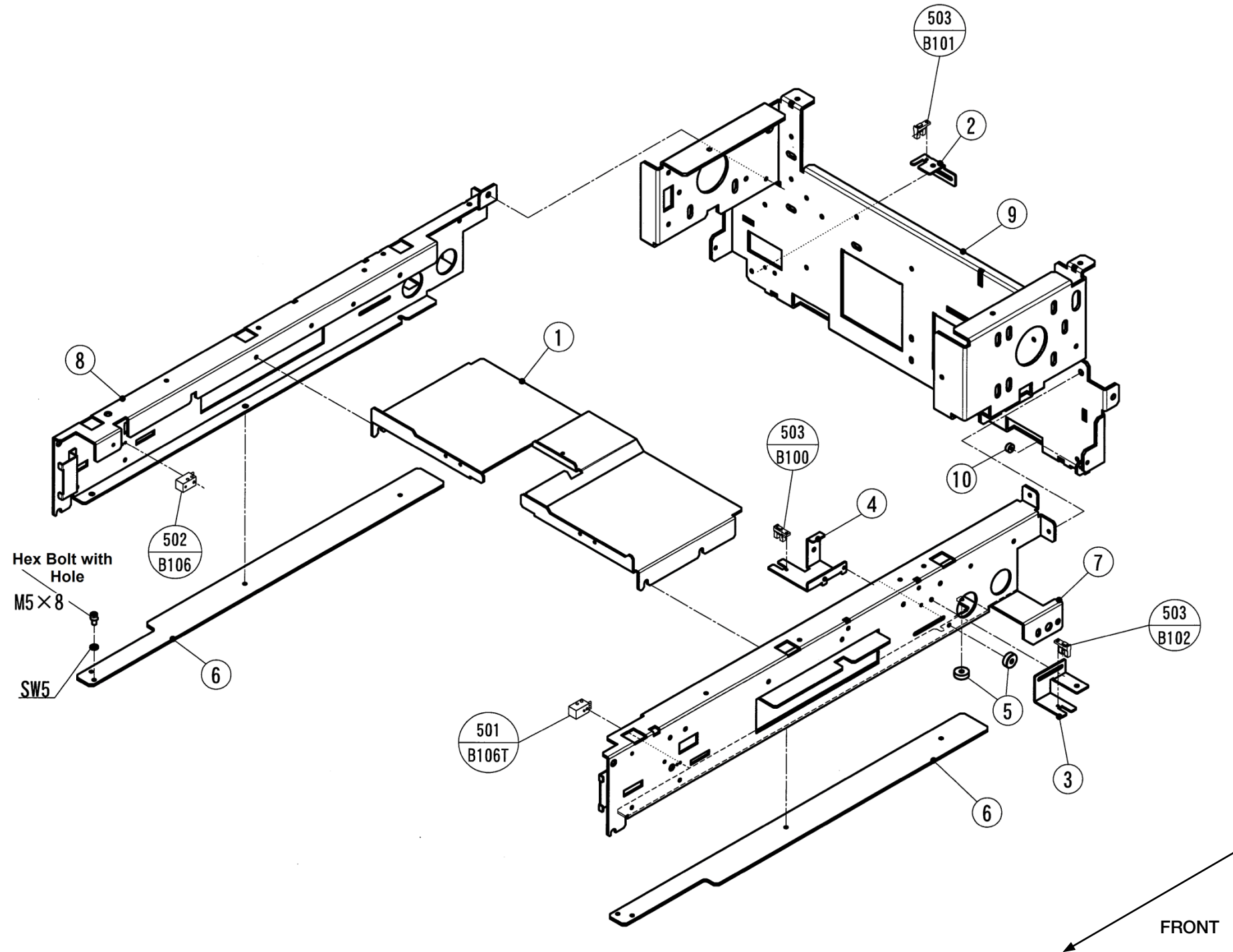
Wrapping Frame Unit

Part Number/Price

REF #	PART #	DESCRIPTION	QTY	SYNONYM	PRICE
1	Consult	Frame, printer stand	1	000-135-2594-29	\$63.00
2	189194	Bracket, sensor, S-fold	1	000-133-8300-00	\$10.00
3	189195	Bracket, sensor, R fold	1	000-133-8308-09	\$12.00
4	189196	Bracket, sensor, pusher	1	000-133-8314-12	\$15.00
5	189197	Collar, stopper	2	000-112-6600-04	\$3.00
6	Consult	Plate B, slider	2	000-136-3647-05	\$59.00
7	Consult	Frame, wrap R	1	000-133-8293-74	\$103.00
8	Consult	Frame, wrap L	1	000-133-8294-57	\$106.00
9	Consult	Frame, packaging	1	000-134-8257-56	\$191.00
10	189111	Rubber pad	1	000-039-8056-01	\$1.00
501	125711	Photo interrupter, trans, B106T	1	000-112-9768-07	\$8.00
502	125712	Photo interrupter, trans receive, B106	1	000-112-9769-01	\$23.00
503	171837	Photo interrupter, trans, straight connector, B100-B102	3	000-132-6468-07	\$18.00

Ishida WM-Ai

Wrapping Frame Unit



- B100 - Discharge Pusher, Home Position
- B101 - Side Folders, Home Position
- B102 - Rear Folder, Home Position
- B106 - Discharge Safety, Receiver
- B106T - Discharge Safety, Emitter

Side Wrap Unit

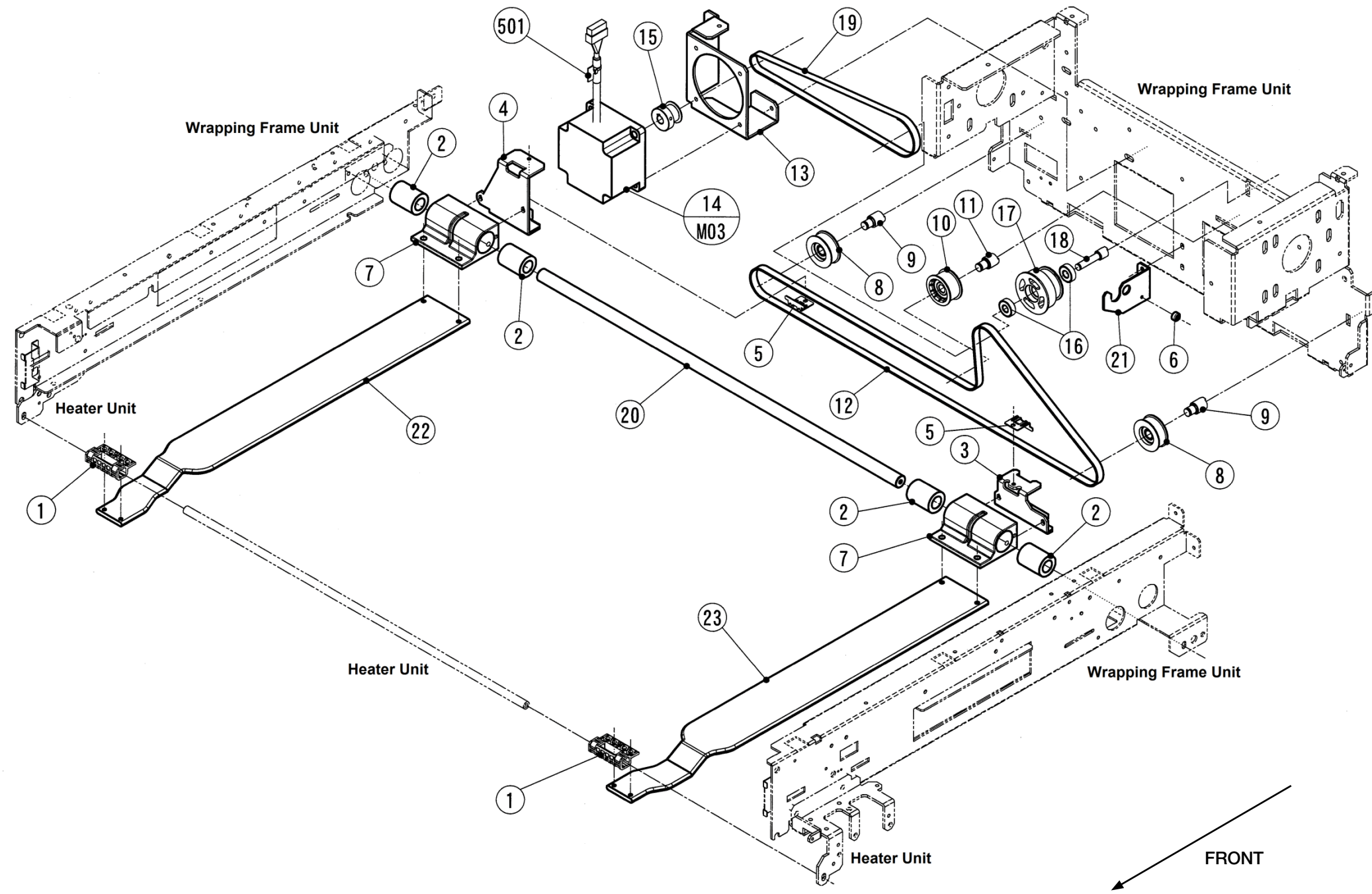
Part Number/Price

REF #	PART #	DESCRIPTION	QTY	SYNONYM	PRICE
1	172514	Block B, slides, side wrap front	2	000-135-7082-09	\$3.00
2	157900	Bearing, linear bush	4	000-069-4929-04	\$23.00
3	Consult	Holder belt, side wrap	1	000-133-8261-36	\$18.00
4	Consult	Holder belt, side wrap	1	000-133-8262-21	\$22.00
5	189198	Bracket, timing belt	2	000-133-8263-05	\$5.00
6	189111	Rubber pad	1	000-039-8056-01	\$1.00
7	193546	Block B, slide, side wrap	2	000-146-5465-02	\$41.00
8	172516	Timing pulley, S5M, AF	2	000-111-8392-00	\$10.00
9	189199	Shaft, tension	2	000-106-6920-33	\$7.00
10	93622	Pulley, idler	1	000-045-3957-08	\$15.00
11	189200	Shaft, tension, side wrap	1	000-086-7487-11	\$7.00
12	172517	Timing belt, S5M	1	000-106-6868-14	\$20.00
13	Consult	Bracket, motor, side wrap	1	000-133-8298-14	\$37.00
14	172518	Motor, DC brushless, round, M03	1	000-135-2940-06	\$242.00
15	189201	Timing, pulley, S5M	1	000-135-7308-00	\$28.00
16	47165	Bearing, radial	2	000-000-3610-03	\$6.00
17	172519	Timing pulley, S5M	1	000-135-7387-04	\$14.00
18	189202	Shaft, fulcrum, side wrap	1	000-137-0758-01	\$12.00
19	189204	Timing belt, HPS5M	1	000-135-4820-00	\$22.00
20	193547	Shaft, liner, side wrap	1	000-106-6916-29	\$59.00
21	Consult	L plate B, support, linear shaft	1	000-133-8264-09	\$11.00
22	172520	Crank plate, B, side wrap, L	1	000-136-3955-12	\$103.00
23	172521	Crank plate, B, side wrap, R	1	000-136-3956-16	\$103.00
501	Consult	Accessory, band, marking tie	1	000-135-2734-05	\$2.00

See [Wrapping Frame Unit](#), item 503 on page 62 for home position sensor B101

Ishida WM-Ai

Side Wrap Unit



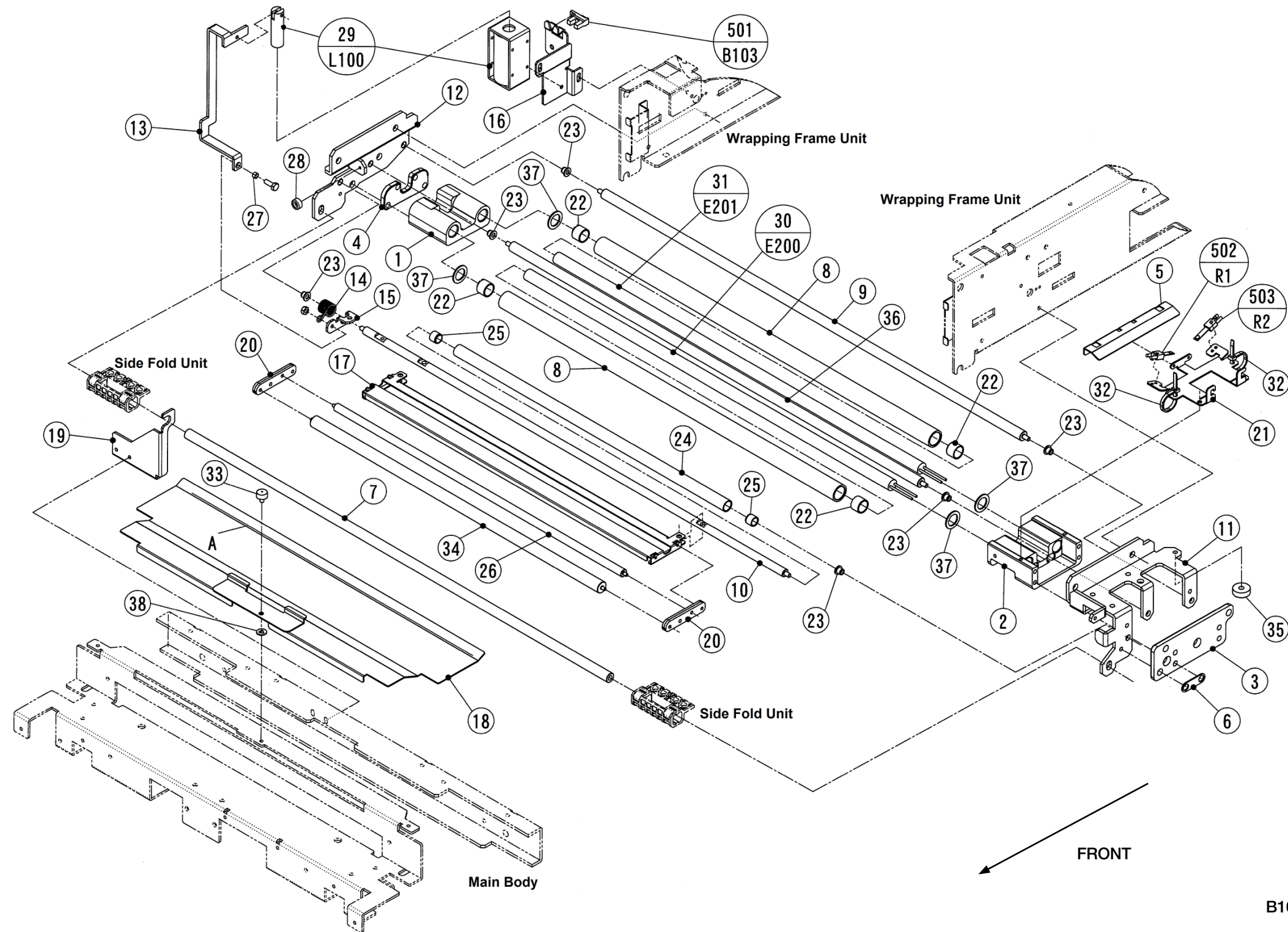
Seal Heater Unit

Part Number/Price

REF #	PART #	DESCRIPTION	QTY	SYNONYM	PRICE
1	Consult	Block B, base, heater	1	000-135-7300-01	\$24.00
2	Consult	Block B, base, heater	1	100-006-4810-00	\$24.00
3	Consult	Plate B, heater	1	000-135-7078-03	\$9.00
4	Consult	Plate B, heater	1	000-135-7079-07	\$6.00
5	Consult	Cover, thermistor	1	000-134-8154-00	\$12.00
6	Consult	Plate A, ground	1	000-134-8331-02	\$3.00
7	193548	Shaft, slide, side fold front	1	000-130-6847-10	\$41.00
8	172527	Roller assembly, rotation, heater, seal, orange	2	000-131-1661-31	\$74.00
9	172522	Shaft, step type	1	000-130-6848-22	\$48.00
10	Consult	Shaft, discharge, fulcrum	1	000-130-6849-35	\$41.00
11	Consult	Bracket, heater unit	1	000-134-8147-62	\$48.00
12	Consult	Bracket, heater unit	1	000-134-8144-51	\$27.00
13	Consult	Link, heater, guard	1	000-134-8141-20	\$18.00
14	172523	Spring, coil	1	000-137-8017-13	\$4.00
15	Consult	Lever, heater guard	1	000-134-8152-49	\$18.00
16	Consult	Bracket, solenoid, heater guard	1	000-134-8150-24	\$18.00
17	Consult	Frame, heater guard	1	000-139-2828-30	\$77.00
18	Consult	Cover, roller, lower	1	000-139-2827-53	\$59.00
19	Consult	Bracket, linear, front	1	000-134-8918-26	\$10.00
20	189205	Holder, roller, discharge	2	000-135-7080-20	\$2.00
21	189206	Bracket, thermistor	1	000-134-8153-43	\$17.00
22	153654	Bush	4	000-070-5375-09	\$6.00
23	153628	Bush	6	000-028-1523-01	\$2.00
24	189207	Roller, discharge	1	000-131-1815-01	\$55.00
25	189208	Bush	2	000-076-1844-08	\$2.00
26	188194	Shaft, step, heater guard	1	000-139-2818-21	\$37.00
27	189279	Collar	1	000-094-0174-15	\$4.00
28	189111	Rubber pad	1	000-039-8056-01	\$1.00
29	125701	Solenoid assy, clamp, L100	1	000-073-7078-01	\$27.00
30	172524	Heater, seal element, front, E200	1	100-006-4604-00	\$200.00
31	172525	Heater, seal element, back, E201	1	100-006-4605-00	\$200.00
32	172526	Accessory, band, tie heat resist	4	000-059-8213-07	\$4.00
33	Consult	Screw, knurled, M4x8 mm SST	1	100-002-1760-00	\$5.00
34	188195	Shaft, step, heater guard	1	000-139-9018-24	\$70.00
35	189197	Collar, stopper	1	000-112-6600-04	\$3.00
36	Consult	Shaft, step type	1	000-141-6348-05	\$48.00
37	153653	Washer, thrust	4	000-073-7143-10	\$6.00
38	186377	Washer, lock, backing	1	000-015-0783-09	\$1.00
501	171837	Photo interrupter, trans, straight connector, heater guard up/down, B103	1	000-132-6468-07	\$18.00
502	153657	Thermistor assy, heater front, R1	1	000-072-2291-03	\$24.00
503	157920	Thermistor assy, heater rear, R2	1	000-072-2292-07	\$24.00

Ishida WM-Ai

Seal Heater Unit



B103 - Heater guard up/down

Rear Wrap Fold Unit

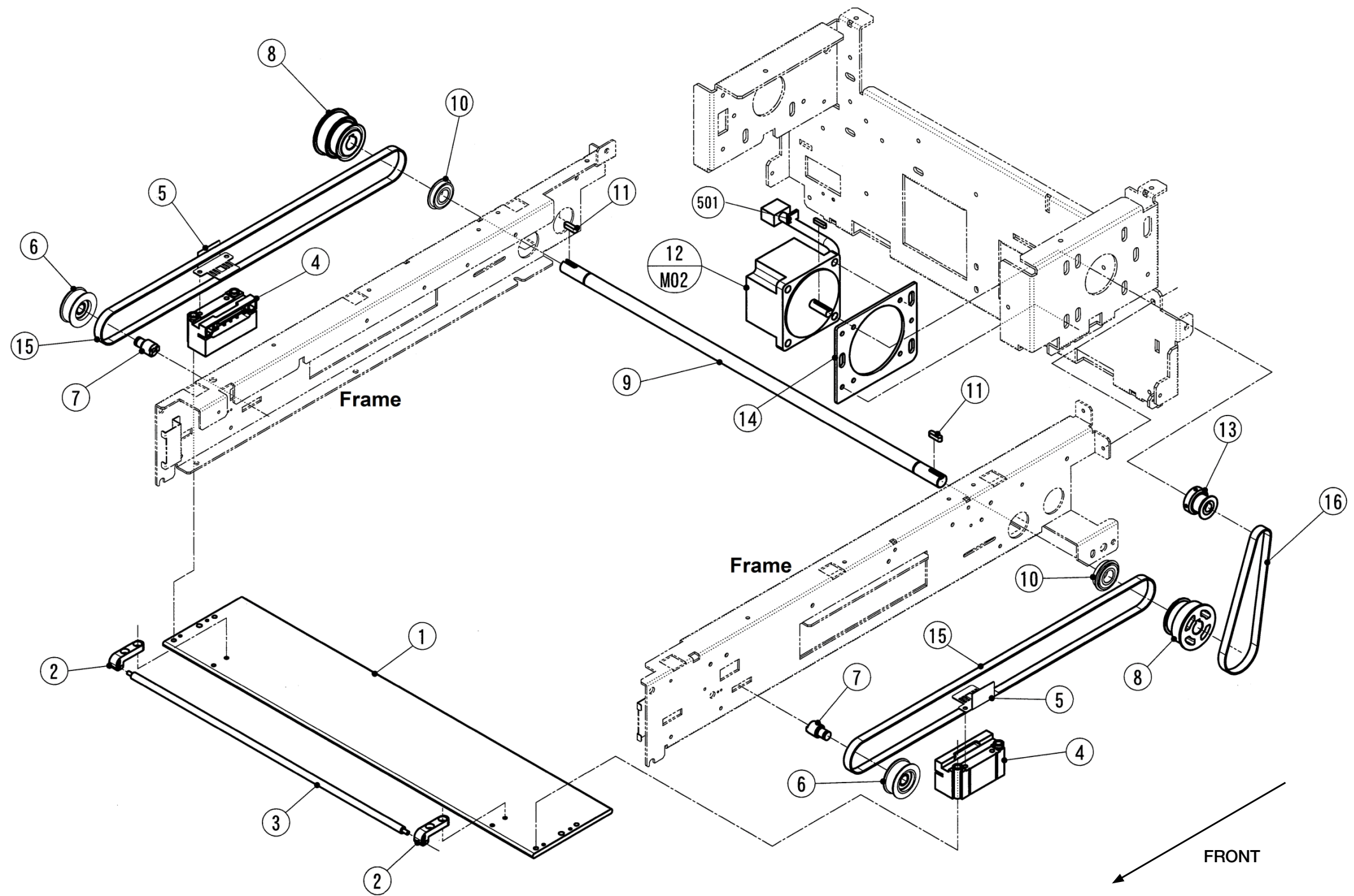
Part Number/Price

REF #	PART #	DESCRIPTION	QTY	SYNONYM	PRICE
1	Consult	Plate A, rear wrap	1	000-136-3746-10	\$94.00
2	172528	Holder, shaft	2	000-135-7081-05	\$2.00
3	172529	Shaft, step, rear wrap	1	000-133-8305-09	\$63.00
4	172530	Block B, slide, rear wrap	2	000-111-8460-19	\$12.00
5	189209	L plate B, holder belt	2	000-133-8310-07	\$17.00
6	172516	Timing pulley, S5M, AF	2	000-111-8392-00	\$10.00
7	189210	Shaft, tension	2	000-133-8257-02	\$9.00
8	172531	Timing pulley, S5M	2	000-135-7307-06	\$32.00
9	Consult	Shaft, drive, rear wrap	1	000-133-8259-19	\$77.00
10	106115	Bearing radial, deep groove	2	000-030-6366-02	\$12.00
11	189211	Key, parallel, both ends round	2	000-005-3753-09	\$3.00
12	172518	Motor, DC brushless, round, M02	1	000-135-2940-06	\$242.00
13	172519	Timing pulley, S5M	1	000-135-7387-04	\$14.00
14	Consult	Bracket, motor, DCB	1	000-133-8299-36	\$15.00
15	172532	Timing belt, S5M	2	000-133-8309-02	\$19.00
16	172533	Timing belt, HPS5M	1	000-131-1761-03	\$14.00
501	Consult	Accessory, band, marking tie	1	000-135-2733-01	\$2.00

See [Wrapping Frame Unit](#), item 503 on page 62 for home position sensor B102

Ishida WM-Ai

Rear Wrap Fold Unit



Discharge Pusher Unit

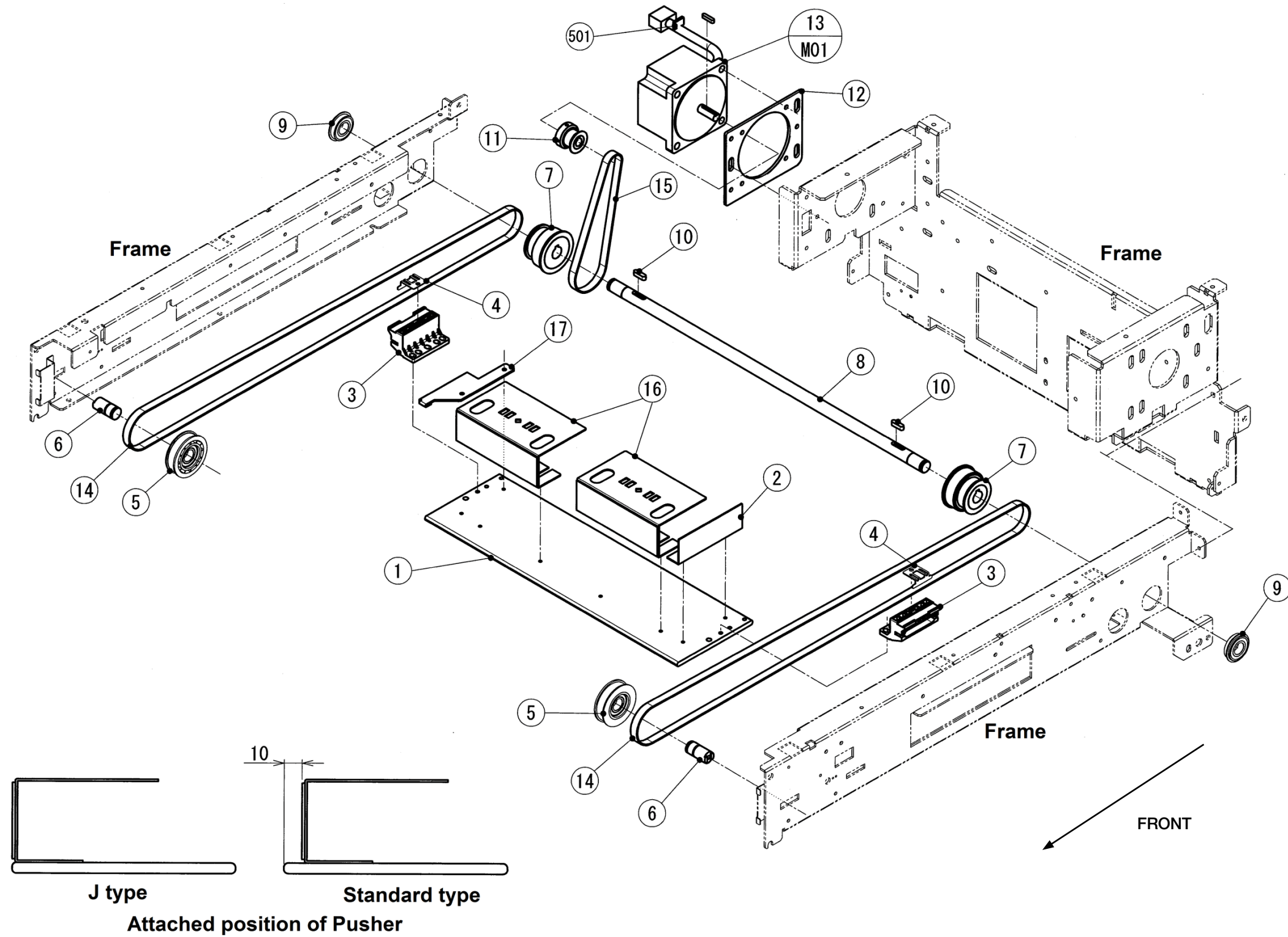
Part Number/Price

REF #	PART #	DESCRIPTION	QTY	SYNONYM	PRICE
1	Consult	Plate A, pusher	1	000-136-3747-13	\$77.00
2	Consult	L plate A, detect plate, pusher	1	000-133-8311-11	\$6.00
3	172534	Block B, slide, pusher	2	000-135-7083-02	\$10.00
4	189198	Bracket, timing belt	2	000-133-8263-05	\$5.00
5	172535	Timing pulley, S5M, AF	2	000-046-2326-11	\$21.00
6	189212	Shaft, tension	2	000-133-8295-13	\$16.00
7	172531	Timing pulley, S5M	2	000-135-7307-06	\$32.00
8	Consult	Shaft, drive, pusher	1	000-133-8260-13	\$81.00
9	106115	Bearing, radial deep groove	2	000-030-6366-02	\$12.00
10	189211	Key, parallel, both ends round	2	000-005-3753-09	\$3.00
11	172519	Timing pulley, S5M	1	000-135-7387-04	\$14.00
12	Consult	Bracket, motor, DCB	1	000-133-8299-36	\$15.00
13	172518	Motor, DC brushless, round, M01	1	000-135-2940-06	\$242.00
14	172517	Timing belt, S5M	2	000-106-6868-14	\$20.00
15	172533	Timing belt, HPS5M	1	000-131-1761-03	\$14.00
16	172536	Bracket assy, pusher, with green padding	2	100-003-5009-01	\$93.00
17	Consult	Pusher, heater guard	1	000-139-9159-09	\$22.00
501	185535	Accessory, band, marking tie	1	000-135-2732-08	\$2.00

See [Wrapping Frame Unit](#), item 503 on page 62 for home position sensor B100

Ishida WM-Ai

Discharge Pusher Unit



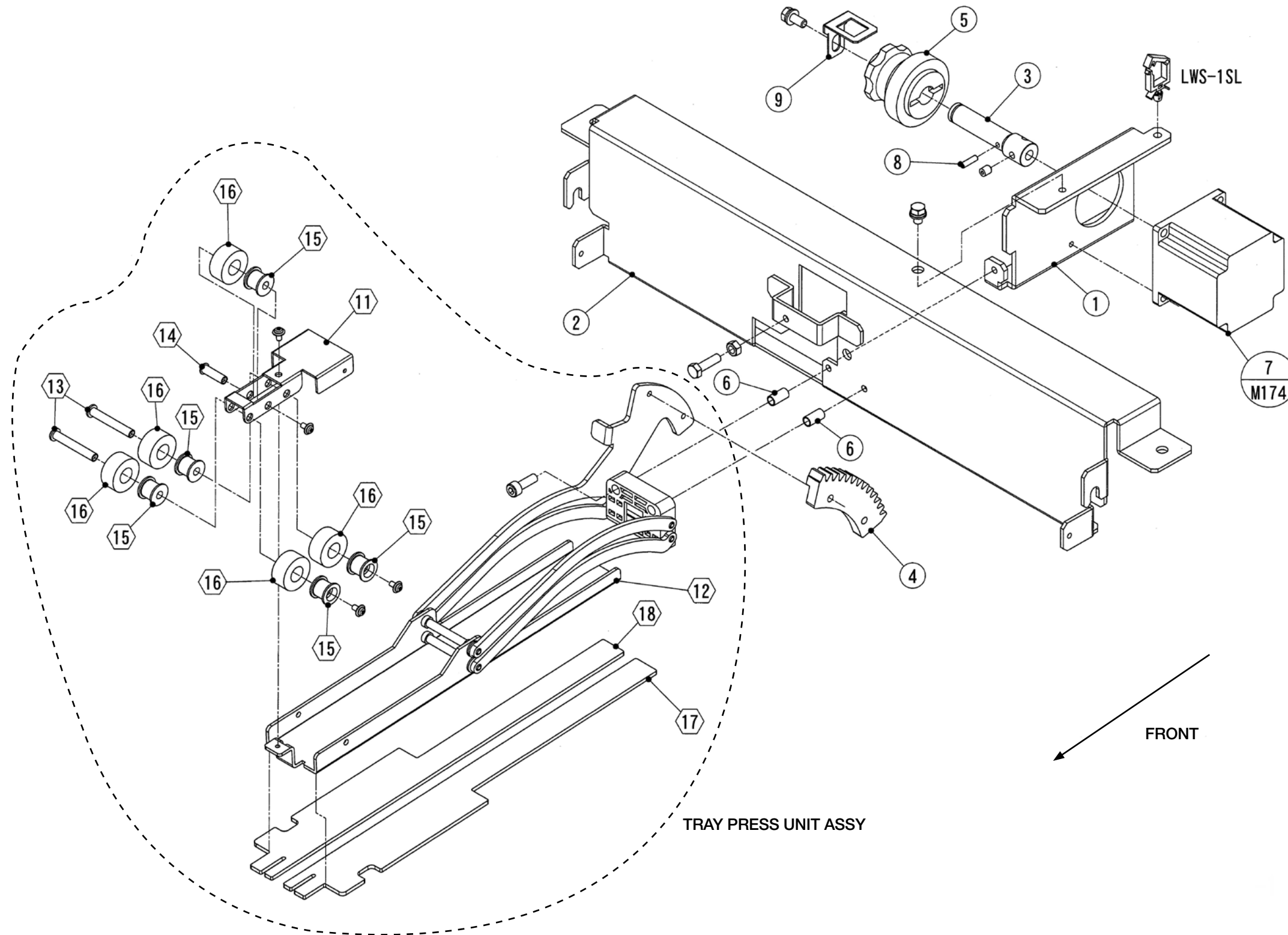
Tray Press Unit

Part Number/Price

REF #	PART #	DESCRIPTION	QTY	SYNONYM	PRICE
1	Consult	Bracket, drive, tray press	1	000-133-5562-26	\$26.00
2	Consult	Frame, tray press	1	000-135-0301-45	\$74.00
3	Consult	Shaft, drive, tray press	1	000-133-5563-39	\$41.00
4	172539	Gear, flat, tray press	1	000-135-7085-00	\$3.00
5	172540	Gear, drive shaft	1	000-061-7367-04	\$63.00
6	189213	Collar, spacer	2	000-001-2374-08	\$1.00
7	Consult	Motor assy, stepping, tray press, M174	1	000-112-6606-06	\$77.00
8	52623	Spring, pin, M3x12 mm zinc	2	000-003-3398-05	\$1.00
9	Consult	L plate B, tray press	1	000-149-0416-01	\$5.00
11	Consult	Bracket, roller, tray press	1	000-135-0281-26	\$17.00
12	Consult	Link assy, tray press	1	000-149-6829-09	\$170.00
13	189214	Pin, roller, tray press	2	000-135-0282-01	\$8.00
14	189215	Pin, roller, tray press	1	000-135-0283-14	\$7.00
15	176919	Roller, tray press	5	000-090-0964-02	\$2.00
16	176920	Roller, large bushing, tray press	5	000-072-2154-15	\$6.00
17	189216	Sheet, tray press	1	000-135-0344-27	\$11.00
18	189217	Sheet, tray press	1	000-135-0343-23	\$11.00
ASSY	172541	Tray press unit	1	000-150-3138-02	\$228.00

Ishida WM-Ai

Tray Press Unit



Film Feeder, Front

Part Number/Price

REF #	PART #	DESCRIPTION	QTY	SYNONYM	PRICE
1	Consult	Frame, feeder	1	000-135-2866-61	\$191.00
2	Consult	Rail, lower	1	000-135-2868-39	\$100.00
3	172543	Clamp assy, lower	1	000-135-2871-11	\$74.00
4	Consult	Bracket, harness	1	000-136-3629-09	\$48.00
5	Consult	Supporter, frame, feeder	1	000-146-5402-15	\$22.00
6	198374	Shaft, tension, feeder	2	000-130-6894-06	\$11.00
7	47165	Bearing, radial	4	000-000-3610-03	\$6.00
8	177258	Timing pulley, T5, AF, tension	2	000-111-8468-18	\$4.00
9	171838	Timing white belt, DT5, P1.5	1	000-135-0175-06	\$201.00
10	185877	Flat green belt, endless, beveled (blue mark), front or rear	1	100-019-0009-00	\$209.00
11	160748	Bearing radial, deep groove	4	000-094-2649-05	\$6.00
12	177259	Timing pulley, T5, AF	1	000-111-8465-08	\$3.00
13	177260	Flange, pulley, upper	1	000-111-8467-05	\$4.00
14	Consult	Shaft, pulley, follower	1	000-130-6821-04	\$25.00
15	189229	Pin, parallel	2	000-040-6521-02	\$1.00
16	193535	Timing pulley, T5, AF	1	000-065-9537-07	\$21.00
17	Consult	Shaft, pulley, drive	1	000-147-7501-06	\$17.00
18	88644	Timing pulley, S5M, A	1	000-045-3708-07	\$13.00
19	189230	Key, parallel, both ends round	2	000-009-9828-05	\$7.00
20	175307	Gear, flat	1	000-090-0652-01	\$4.00
—	178070	M10 Ext retaining ring	1	—	\$1.00
21	Consult	Holder, pulley	1	000-135-2695-41	\$20.00
22	172572	Bearing, radial, deep groove	2	000-094-2650-00	\$5.00
23	Consult	Shaft, follower, belt	1	000-130-6867-14	\$13.00
24	192430	Pulley, drive, round	1	000-079-1252-14	\$18.00
25	Consult	Gear, flat	1	000-076-1779-09	\$19.00
26	Consult	Bracket, sensor, film	1	000-135-2692-50	\$70.00
27	Consult	Cover, harness	1	000-139-9348-14	\$4.00
28	175370	Lever, film	1	000-139-9352-10	\$11.00
29	175367	Spring plate, over sensor	1	000-139-9347-01	\$6.00
30	198678	Bush	2	000-030-2873-00	\$3.00
31	Consult	Bracket, film sensor	1	000-135-2698-43	\$55.00
32	175368	Lever, film	1	000-146-5492-02	\$7.00
33	175364	Spring, plate, film sensor, insertion	1	000-112-6666-00	\$2.00
34	175369	Spring, coil	1	000-108-0199-55	\$5.00
35	Consult	Bracket, pulley, idler	2	000-136-3628-04	\$4.00
36	Consult	Shaft, pulley, idler	2	000-135-2745-15	\$7.00
37	192742	Pulley assy, idler	2	000-079-3487-01	\$19.00
38	189231	Frame, pinch	1	100-006-9896-00	\$30.00
39	Consult	Cover, spring	1	000-136-3634-07	\$6.00
40	Consult	Spring, coil, compressive	1	000-137-0943-22	\$6.00
41	Consult	Plate B, pinch	1	000-136-3625-03	\$3.00
42	172544	Solenoid assy, pinch, L204	1	100-000-8505-00	\$36.00
43	189232	Bearing, radial	2	000-001-6607-00	\$6.00
44	Consult	Bracket, pinch, inside	1	000-137-0922-16	\$5.00
—	185811	Guide, film belt pinching front	1	100-018-3938-00	\$22.00
45	189233	Pinch assy, F	1	000-139-9492-19	\$74.00
46	193702	Collar, step	3	000-109-8190-12	\$4.00
47	171844	Lever assy, clamp, L201, L202, L203	3	000-138-5782-07	\$44.00
48	Consult	Shaft, clamp	1	000-135-2791-17	\$25.00
49	Consult	U plate B, clamp	3	000-136-3631-06	\$5.00
50	Consult	U plate B, clamp	1	000-136-3632-00	\$5.00
51	192218	Spring, coil, compressive	3	000-109-8185-13	\$2.00
52	Consult	Plain washer, M6 flat SST	3	000-055-4170-07	\$1.00
53	Consult	Collar, spacer	3	000-001-6812-07	\$1.00

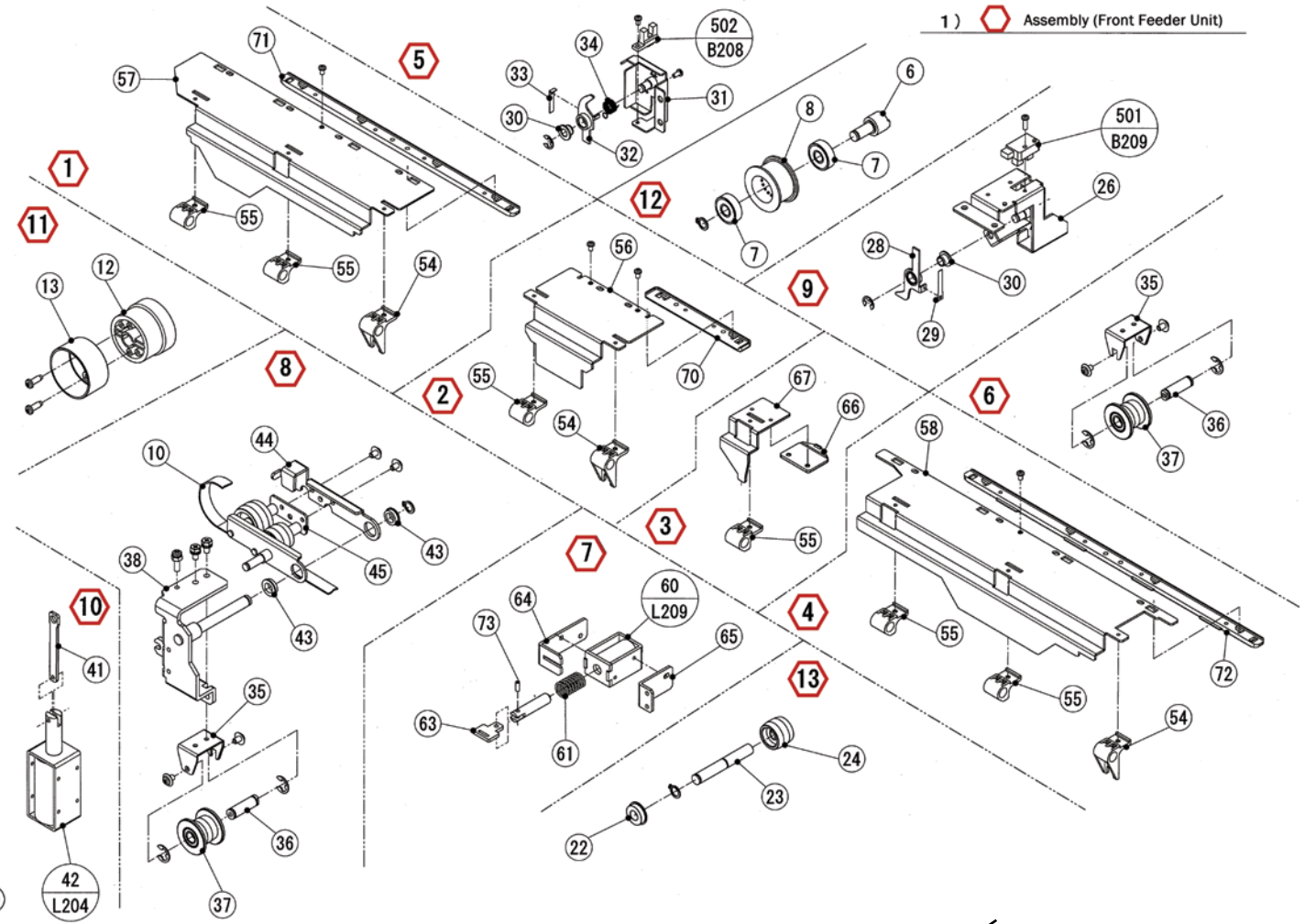
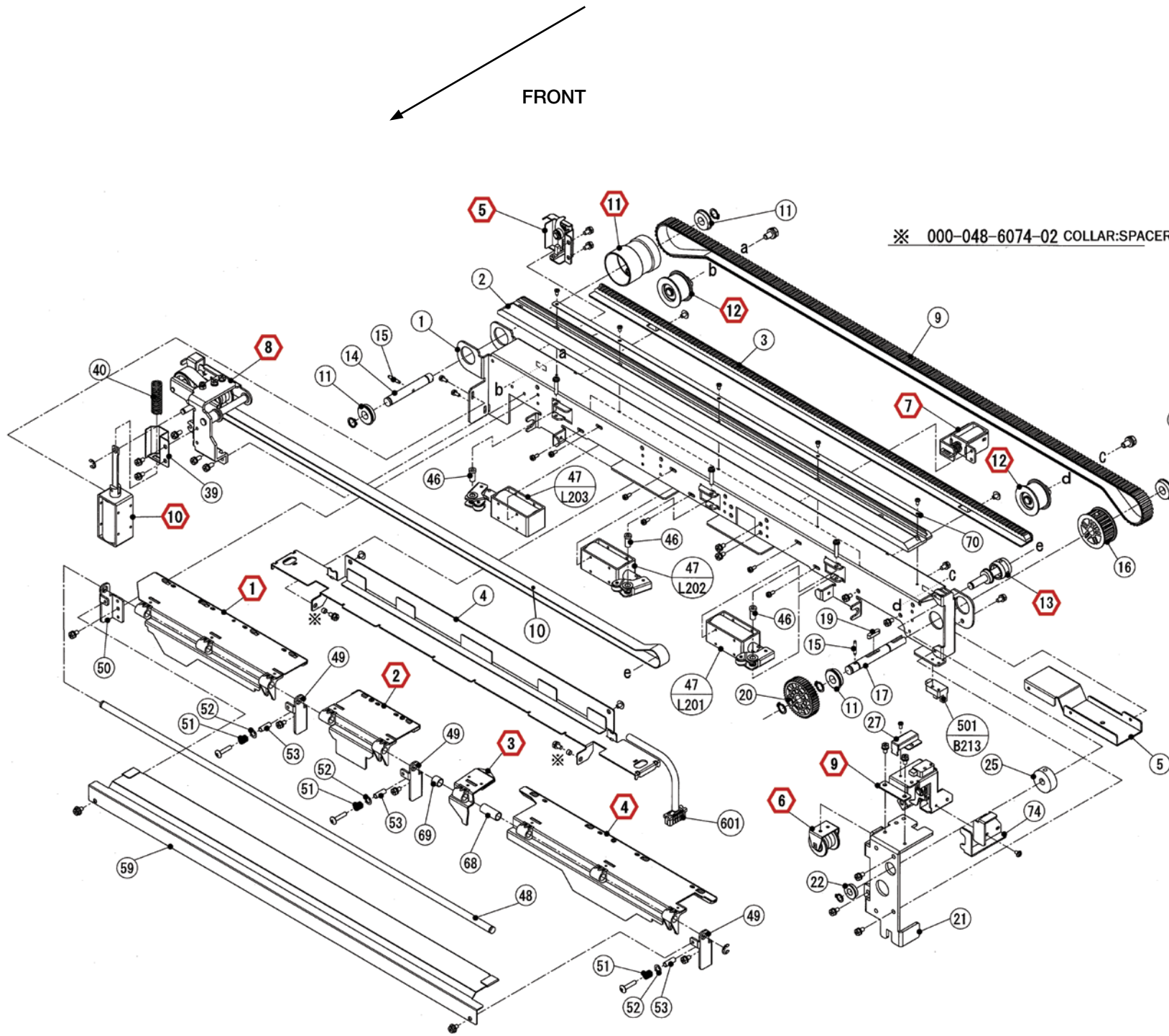
Film Feeder, Front

Part Number/Price

REF #	PART #	DESCRIPTION	QTY	SYNONYM	PRICE
54	189235	Block B, fulcrum, clamp	3	000-111-8436-00	\$3.00
55	189242	Block B, fulcrum, clamp	6	000-111-8435-06	\$3.00
56	Consult	Lever, clamp, F center	1	000-136-3668-22	\$26.00
57	Consult	Lever, clamp, F, left side	1	000-136-3665-03	\$41.00
58	Consult	Lever, clamp, F, right side	1	000-136-3662-02	\$41.00
59	Consult	Cover, clamp	1	000-135-2854-45	\$44.00
60	172545	Solenoid assy, L209	1	100-004-5496-00	\$35.00
61	172318	Spring, coil, compressive	1	000-109-8110-14	\$3.00
63	Consult	Plate B, plunger, belt hold	1	100-001-6592-00	\$6.00
64	Consult	Guide, plunger	1	100-001-6591-00	\$8.00
65	Consult	Bracket, solenoid, belt hold	1	100-001-6590-00	\$10.00
66	Consult	Block B, belt hold	1	100-001-6589-00	\$3.00
67	Consult	Lever, belt hold	1	100-001-6588-00	\$7.00
68	189243	Collar, spacer	1	100-007-0164-00	\$1.00
69	189245	Collar, spacer	1	100-007-0165-00	\$1.00
70	171846	Rail assy, clamp, F center	1	000-136-3738-01	\$44.00
71	171847	Rail assy, clamp, F left side	1	000-136-3739-04	\$17.00
72	171848	Rail assy, clamp, F right side	1	000-136-3740-09	\$20.00
73	Consult	Spring pin, M3x8 mm Black Oxide	1	000-000-2156-05	\$1.00
74	185810	Guide, belt	1	100-018-3937-00	\$22.00
501	104239	Photo interrupter, transmitter, film over, 90 connector, B209, B213	2	000-070-5204-14	\$9.00
502	171837	Photo interrupter, transmitter, film detect, straight connector, B208	1	000-132-6468-07	\$18.00
601	Consult	Harness, C9, feeder	1	100-001-2955-01	\$24.00
999	179471	Film feeder assy, complete, front	1	100-002-0181-00	\$1,644.00

Ishida WM-Ai

Film Feeder, Front



B208 - Film detect, left
 B209 - Film over, right
 B213 - Feeder home position

Film Feeder, Rear

Part Number/Price

REF #	PART #	DESCRIPTION	QTY	SYNONYM	PRICE
1	Consult	Frame, feeder	1	000-135-2867-54	\$191.00
2	Consult	Rail, lower	1	000-135-2868-39	\$100.00
3	172543	Clamp assy, lower	1	000-135-2871-11	\$74.00
4	Consult	Bracket, harness	1	000-136-3629-09	\$48.00
5	Consult	Supporter, frame, feeder	1	000-146-5403-19	\$22.00
6	198374	Shaft, tension, feeder	2	000-130-6894-06	\$11.00
7	47165	Bearing, radial	4	000-000-3610-03	\$6.00
8	177258	Timing, pulley, T5, AF, tension	2	000-111-8468-18	\$4.00
9	171838	Timing white belt, DT5, P1.5	1	000-135-0175-06	\$201.00
10	185877	Flat, green belt, endless, beveled (blue mark), front or rear	1	100-019-0009-00	\$209.00
11	160748	Bearing, radial, deep groove	4	000-094-2649-05	\$6.00
12	Consult	Timing pulley, T5, AF	1	000-111-8465-08	\$3.00
13	Consult	Flange, pulley, upper	1	000-111-8467-05	\$4.00
14	Consult	Shaft, pulley, follower	1	000-130-6821-04	\$25.00
15	189229	Pin, parallel	2	000-040-6521-02	\$1.00
16	193535	Timing pulley, T5, AF	1	000-065-9537-07	\$21.00
17	Consult	Shaft, pulley, drive	1	000-147-7501-06	\$17.00
18	88644	Timing pulley, S5M, A	1	000-045-3708-07	\$13.00
19	189230	Key, parallel, both ends round	2	000-009-9828-05	\$7.00
20	175307	Gear, flat	1	000-090-0652-01	\$4.00
—	178070	M10 Ext. retaining ring	1	—	Consult
21	Consult	Holder, pulley	1	000-135-2696-44	\$20.00
22	172572	Bearing, radial, deep groove	2	000-094-2650-00	\$5.00
23	Consult	Shaft, follower, belt	1	000-130-6867-14	\$13.00
24	192430	Pulley, drive, round	1	000-079-1252-14	\$18.00
25	Consult	Gear, flat	1	000-076-1779-09	\$19.00
26	Consult	Bracket, sensor, film	1	000-135-2693-43	\$70.00
27	Consult	Cover, harness	1	000-139-9348-14	\$4.00
28	175366	Lever, film	1	000-139-9353-13	\$11.00
29	175367	Spring, plate, over sensor	1	000-139-9347-01	\$6.00
30	198678	Bush	2	000-030-2873-00	\$3.00
31	Consult	Bracket, film sensor	1	000-135-2699-46	\$55.00
32	175363	Lever, film	1	000-146-5491-09	\$7.00
33	175364	Spring plate, film sensor	1	000-112-6666-00	\$2.00
34	175365	Spring, coil	1	000-108-0198-51	\$5.00
35	Consult	Bracket, pulley, idler	2	000-136-3628-04	\$4.00
36	Consult	Shaft, pulley, idler	2	000-135-2745-15	\$7.00
37	192742	Pulley assy, idler	2	000-079-3487-01	\$19.00
38	Consult	Frame, pinch	1	100-006-9897-00	\$30.00
39	Consult	Cover, spring	1	000-136-3635-01	\$6.00
40	Consult	Spring, coil, compressive	1	000-137-0943-22	\$6.00
41	Consult	Plate B, pinch	1	000-136-3625-03	\$3.00
42	172544	Solenoid assy, pinch, L208	1	100-000-8505-00	\$36.00
43	189232	Bearing, radial	2	000-001-6607-00	\$6.00
44	Consult	Bracket, pinch, inside	1	000-137-0923-20	\$5.00
—	185810	Guide, film belt, pinching rear	1	100-018-3937-00	\$22.00
45	Consult	Pinch assy, R	1	000-140-7154-16	\$74.00
46	193702	Collar, step	3	000-109-8190-12	\$4.00
47	171844	Lever assy, clamp, L205, L206, L207	3	000-138-5782-07	\$44.00
48	Consult	Shaft, clamp	1	000-135-2791-17	\$25.00
49	Consult	U plate B, clamp	3	000-136-3631-06	\$5.00
50	Consult	U plate B, clamp	1	000-136-3632-00	\$5.00
51	192218	Spring, coil, compressive	3	000-109-8185-13	\$2.00
52	Consult	Plain, washer, M6 flat SST	3	000-055-4170-07	\$1.00
53	Consult	Collar, spacer	3	000-001-6812-07	\$1.00
54	189235	Block B, fulcrum, clamp	3	000-111-8436-00	\$3.00
55	189242	Block B, fulcrum, clamp	5	000-111-8435-06	\$3.00
56	Consult	Lever clamp, R center	1	000-136-3660-05	\$32.00

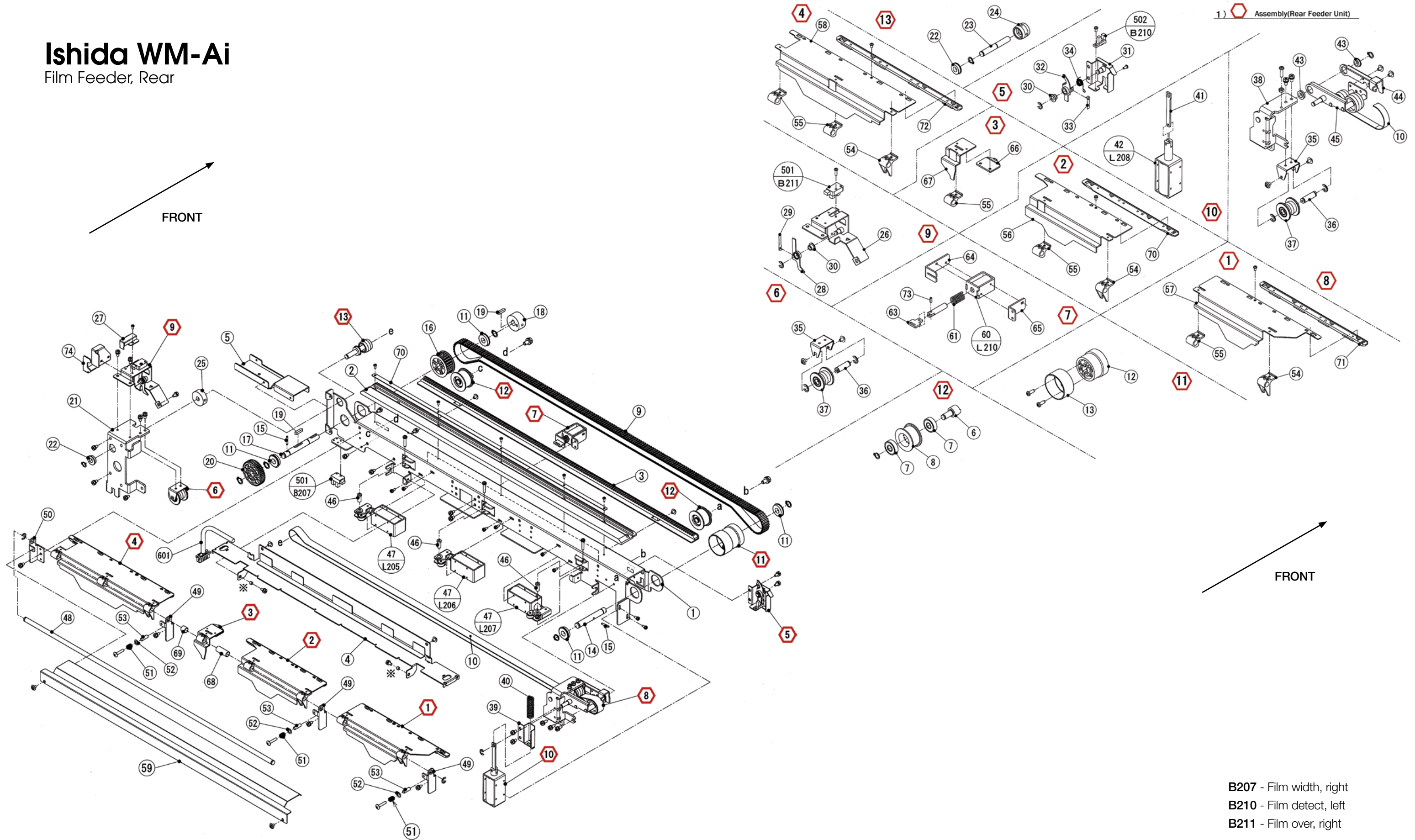
Film Feeder, Rear

Part Number/Price

REF #	PART #	DESCRIPTION	QTY	SYNONYM	PRICE
57	Consult	Lever, clamp R, left side	1	000-136-3653-09	\$37.00
58	Consult	Lever, clamp R, right side	1	000-136-3656-10	\$44.00
59	Consult	Cover, clamp	1	100-005-2662-00	\$44.00
60	172545	Solenoid assy, L210	1	100-004-5496-00	\$35.00
61	172318	Spring, coil, compressive	1	000-109-8110-14	\$3.00
63	Consult	Plate B, plunger, belt hold	1	100-001-6592-00	\$6.00
64	Consult	Guide, plunger	1	100-001-6591-00	\$8.00
65	Consult	Bracket, solenoid, belt hold	1	100-001-6590-00	\$10.00
66	Consult	Block B, belt hold	1	100-001-6589-00	\$3.00
67	Consult	Lever, belt, hold	1	100-001-6588-00	\$7.00
68	189243	Collar, spacer	1	100-007-0164-00	\$1.00
69	189245	Collar, spacer	1	100-007-0165-00	\$1.00
70	171849	Rail assy, clamp R center	1	100-006-5425-00	\$59.00
71	171850	Rail assy, clamp R, left side	1	000-136-3742-06	\$16.00
72	171851	Rail assy, clamp R, right side	1	000-136-3743-00	\$17.00
73	Consult	Spring pin, M3x8 mm Black Oxide	1	000-000-2156-05	\$1.00
74	193528	Tapping screw, pan head, M3x6	4	000-137-0958-00	\$1.00
75	185812	Guide, belt	1	100-018-3940-00	\$29.00
501	104239	Photo interrupter, transmitter, film over, 90 connector, B207, B211	2	000-070-5204-14	\$9.00
502	171837	Photo interrupter, transmitter, film detect, straight connector, B210	1	000-132-6468-07	\$18.00
601	Consult	Harness, C9, feeder	1	100-001-2955-01	\$24.00
999	179472	Film feeder assy, complete, rear	1	100-002-0180-00	\$1,617.00

Ishida WM-Ai

Film Feeder, Rear



Feeder Move Unit

Part Number/Price

REF #	PART #	DESCRIPTION	QTY	SYNONYM	PRICE
1	Consult	Bracket, sensor, lift	1	000-135-0430-33	\$18.00
2	Consult	Shaft, link, feeder move front	2	000-135-0384-08	\$11.00
3	Consult	Bracket, sensor, original point	1	000-135-0418-01	\$10.00
4	Consult	Shaft, feeder move rear	1	000-124-5864-10	\$77.00
5	Consult	Bracket, motor, feeder move front	1	000-145-9915-07	\$19.00
6	189247	Link, feeder move front	1	000-135-0381-07	\$19.00
7	189248	Link, feeder move front	1	000-135-0382-01	\$19.00
8	Consult	L plate B, feeder move front	1	000-135-0431-37	\$27.00
9	Consult	Bracket, motor, feeder move	1	000-135-0428-35	\$25.00
10	Consult	Frame, feeder move, front	1	000-135-0415-55	\$77.00
11	Consult	Frame, feeder move, L	1	000-135-0368-44	\$91.00
12	Consult	Frame, feeder move, R	1	000-135-0378-33	\$91.00
13	Consult	Frame, feeder move, R	1	000-135-0416-21	\$63.00
14	Consult	Guide, harness	1	000-135-0379-27	\$48.00
15	Consult	Bracket, tension	1	000-135-0376-26	\$21.00
16	Consult	Bracket, tension	1	000-135-0377-20	\$21.00
17	Consult	Bracket, connector, front	1	000-135-0371-46	\$18.00
18	189249	Bracket, connector, rear	1	000-135-0374-48	\$22.00
19	Consult	Frame, feeder drive, rear	1	000-135-0427-41	\$94.00
20	189111	Rubber pad	2	000-039-8056-01	\$1.00
21	172546	Housing, feeder move, front	2	000-111-8471-01	\$41.00
22	172547	Housing, feeder move, back	2	000-111-8472-04	\$41.00
23	172548	Bearing, linear bush	8	000-068-5133-03	\$33.00
24	106115	Bearing, radial, deep groove	4	000-030-6366-02	\$12.00
25	172549	Gear, flat	2	000-111-8469-02	\$5.00
26	Consult	Shaft, feeder move	1	000-109-5560-25	\$63.00
27	Consult	Pin, parallel	2	000-040-9790-09	\$2.00
28	Consult	Collar	2	000-112-6883-01	\$2.00
29	193549	Shaft, linear	2	000-106-6952-32	\$63.00
30	Consult	Gear, flat	1	000-111-8382-02	\$10.00
31	172550	Timing pulley, S5M, AF	3	000-073-7226-06	\$23.00
32	Consult	Shaft, fulcrum, rear	2	000-106-6950-26	\$9.00
33	172516	Timing pulley, S5M, AF	2	000-111-8392-00	\$10.00
34	192314	Shaft, pulley, tension	2	000-137-8020-06	\$9.00
35	88649	Pulley, tension	2	000-048-3915-03	\$9.00
36	Consult	Guide, harness	1	000-130-6968-35	\$33.00
37	Consult	Timing pulley, S5M	2	000-117-3042-01	\$6.00
38	Consult	Flange, feeder move	4	000-090-0783-05	\$5.00
39	Consult	Timing pulley, S5M, AF	1	000-073-7225-02	\$23.00
40	Consult	Bracket, motor, feeder move	1	000-131-1766-01	\$24.00
41	172551	Bearing unit, flange	2	000-109-8054-19	\$22.00
42	Consult	Shaft, drive feeder	1	000-106-6951-66	\$135.00
43	Consult	Timing pulley, S5M, AF	1	000-112-9511-07	\$18.00
44	Consult	Timing pulley, S5M, AF	1	000-111-8383-06	\$25.00
45	189250	Key, parallel, both ends round	1	000-119-7910-03	\$2.00
46	172552	Timing belt, HPS5M	2	000-109-8057-10	\$24.00
47	172554	Timing belt, HPS5M	1	000-109-8058-13	\$13.00
48	172555	Timing belt, HPS5M	1	000-109-8056-16	\$11.00
49	172556	Reflector	1	000-073-7263-04	\$14.00
50	172557	Gear head, rear move shaft	1	000-055-9082-01	\$193.00
51	172558	Gear head, feeder drive shaft	1	000-056-2722-02	\$205.00
52	172533	Timing belt, HPS5M	2	000-131-1761-03	\$14.00
53	Consult	Holder, timing belt, rear	2	000-138-5654-03	\$3.00
54	188328	Motor assy, stepping, feeder front, M121	1	000-111-8422-08	\$206.00
55	175122	Motor, DC, brushless, feeder drive, M09	1	000-135-2938-08	\$257.00
56	188330	Motor, DC, brushless with brake, rear feeder, M05	1	000-135-2939-01	\$381.00

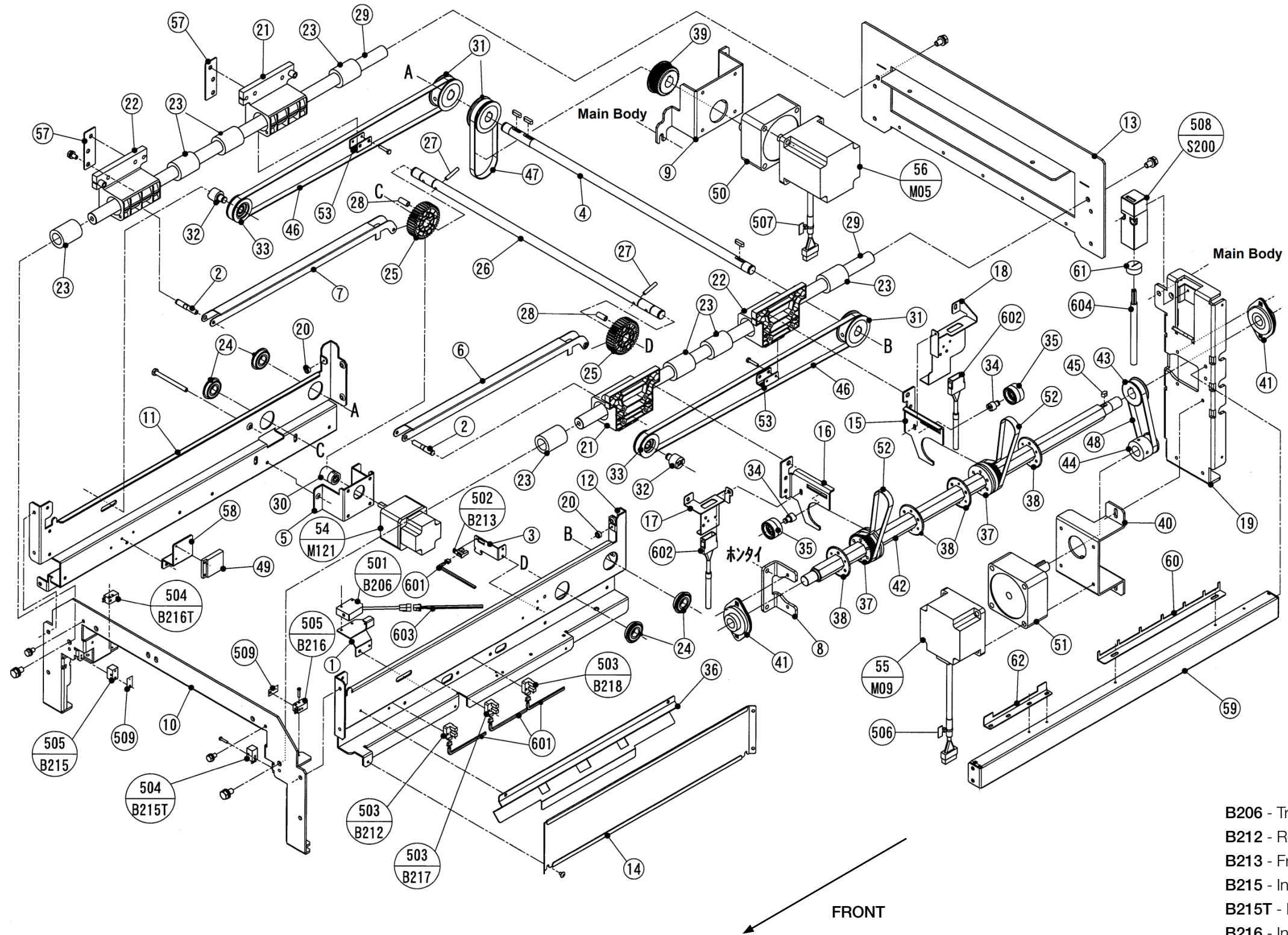
Feeder Move Unit

Part Number/Price

REF #	PART #	DESCRIPTION	QTY	SYNONYM	PRICE
57	Consult	Plate A, spacer	2	000-145-8388-01	\$7.00
58	189251	Bracket, reflector	1	000-146-5211-11	\$9.00
59	Consult	Frame, film width	1	000-135-0330-54	\$29.00
60	189252	Detect plate, feeder move	1	000-139-9370-18	\$22.00
61	Consult	Cap, harness, switch	1	000-091-0707-09	\$2.00
62	189253	L plate B, detecting plate	1	100-002-0735-00	\$11.00
501	157857	Sensor assy, lift, tray detect, B206	1	000-072-2231-28	\$137.00
502	171837	Photo interrupter, trans, straight connector, B213	1	000-132-6468-07	\$18.00
503	104239	Photo interrupter, transmitter, 90 connector, B212, B217-218	3	000-070-5204-14	\$9.00
504	125711	Photo interrupter, trans, B215T, B216T	2	000-112-9768-07	\$8.00
505	125712	Photo interrupter, trans, receive, B215, B216	2	000-112-9769-01	\$23.00
506	Consult	Accessory band, marking tie	1	000-135-2735-09	\$3.00
507	Consult	Accessory band, marking tie	1	000-135-2736-02	\$3.00
508	157866	Switch safety, film over door, S200	1	000-111-8428-00	\$77.00
509	189254	Sheet, sensor	2	000-095-4038-04	\$2.00
601	189255	Harness, C6, feeder move	1	100-000-7012-00	\$24.00
602	172559	Harness, C17, feeder move	1	100-001-2953-00	\$24.00
603	Consult	Harness, C8, sensor	1	000-135-2786-27	\$41.00
604	Consult	Harness, C5, SW	1	000-137-8142-25	\$35.00

Ishida WM-Ai

Feeder Move Unit



- B206 - Tray on lift detect
- B212 - Rear film feeder, home position
- B213 - Front film feeder, home position
- B215 - Infeed safety, front left, receiver
- B215T - Infeed safety, front right, transmitter
- B216 - Infeed safety, rear right, receiver
- B216T - Infeed safety, rear left, transmitter
- B217 - Rear film feeder, small lift clearance
- B218 - Rear film feeder, large lift clearance

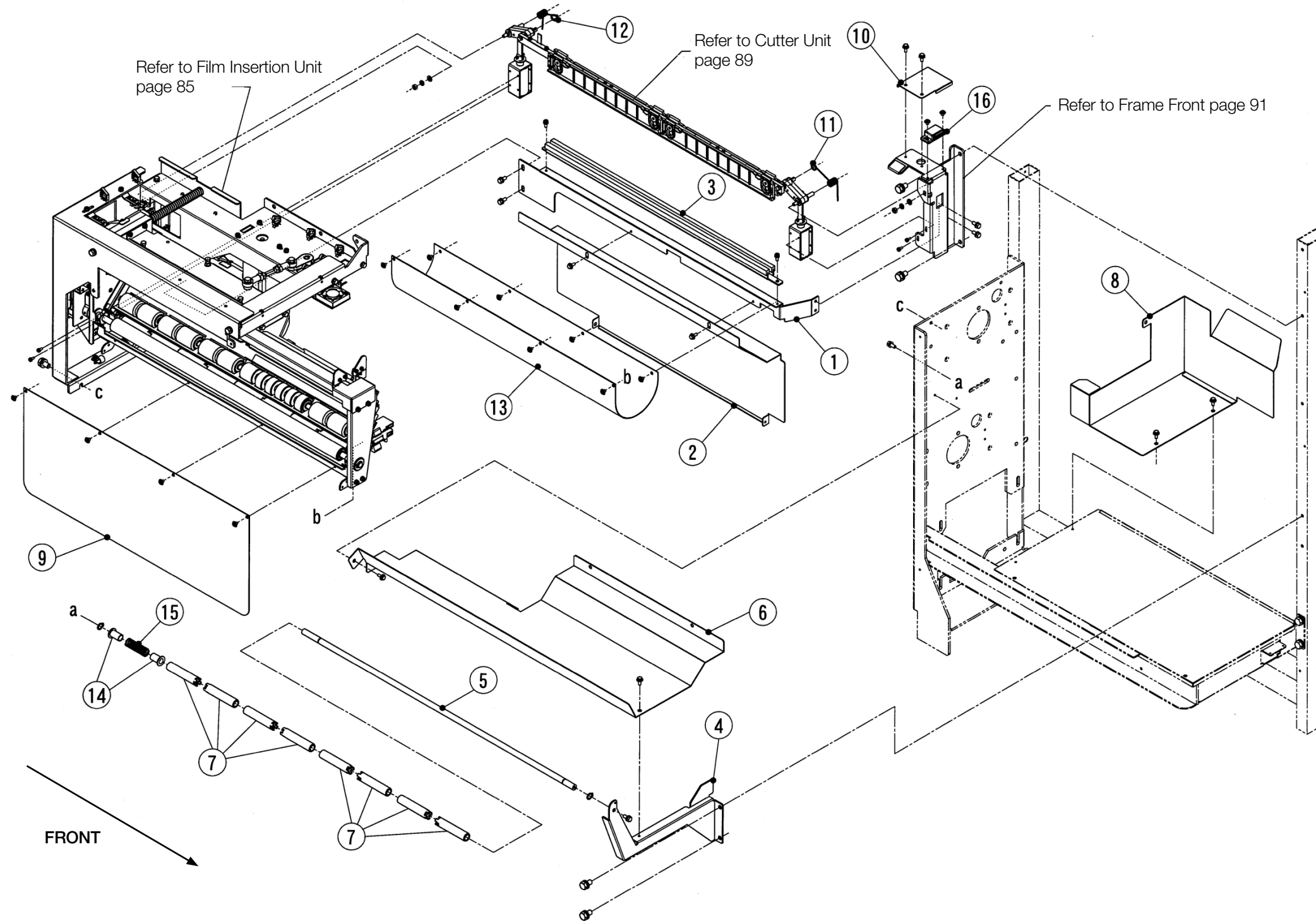
Film Transport Unit

Part Number/Price

REF #	PART #	DESCRIPTION	QTY	SYNONYM	PRICE
1	Consult	Bracket, base, cutter	1	000-134-8326-32	\$63.00
2	Consult	Cover, feeder	1	000-135-4602-41	\$77.00
3	171852	Base assy, cutter	1	000-139-9327-17	\$100.00
4	Consult	Frame, front, film	1	000-133-8483-35	\$52.00
—	168506	Wire, anti-static, 20 in (sold by the inch)	1	142-6094-07	\$1.00
5	Consult	Shaft, roller, lower	1	000-133-8479-31	\$66.00
6	Consult	Frame, middle	1	000-135-4612-48	\$74.00
7	189256	Collar	8	000-135-7088-10	\$1.00
8	Consult	Cover, roll driver	1	000-135-2998-20	\$59.00
9	192220	Sheet, roll	1	000-130-6515-13	\$29.00
10	Consult	Cover, feeder	1	000-139-9376-19	\$22.00
11	172560	Spring, coil	1	000-134-8019-37	\$4.00
12	172561	Spring, coil	1	000-139-9279-20	\$4.00
13	192221	Cover, film, lower	1	100-001-6593-00	\$29.00
14	189259	Bush	2	000-122-5879-01	\$2.00
15	172562	Spring, coil, compressive	1	100-002-2330-00	\$6.00
16	Consult	Catch, magnet	1	000-071-4582-07	\$5.00
999	189260	Film transport unit		000-151-6187-07	\$3,250.00
999	Consult	Cutter unit, see section Cutter Unit page 89		000-151-6197-11	Consult
999	Consult	Frame, front assy, see section Frame Front page 91		000-151-6183-08	Consult

Ishida WM-Ai

Film Transport Unit



Film Insertion Unit

Part Number/Price

REF #	PART #	DESCRIPTION	QTY	SYNONYM	PRICE
1	189256	Collar	8	000-135-7088-10	\$1.00
2	47165	Bearing, radial	10	000-000-3610-03	\$6.00
5	172563	Roller assy, clutch, one groove	8	000-139-9381-10	\$59.00
6	172565	Roller assy, clutch, five grooves	2	000-136-3745-08	\$109.00
7	189262	Holder film, upper roll	1	000-134-8338-48	\$413.00
8	172566	Holder, film, lower	2	000-134-8341-40	\$275.00
9	189265	Block B, change over	2	000-135-7304-05	\$44.00
10	189267	Shaft, clutch, roller	2	000-133-8393-34	\$70.00
11	Consult	Bracket, joint	1	000-133-8431-23	\$52.00
12	189269	Bracket, catch	1	000-134-8016-27	\$36.00
13	Consult	Detect plate, transfer	1	000-137-8064-20	\$16.00
14	192861	Shaft, joint	2	000-133-8438-00	\$9.00
15	Consult	Shaft, roller	1	000-137-8034-36	\$48.00
16	157853	Catch, push latch	2	000-070-1072-06	\$6.00
17	Consult	Bracket, joint, upper	1	000-133-8434-25	\$20.00
18	195219	Bracket, catch, upper	1	000-134-8010-26	\$21.00
20	Consult	Stay, holder, film	1	100-001-6587-02	\$112.00
22	Consult	Shaft, change over	1	000-133-8463-61	\$66.00
23	189230	Key, parallel, both ends round	2	000-009-9828-05	\$7.00
24	Consult	Key, parallel, both ends round	1	000-057-9310-04	\$4.00
25	198677	Collar, spacer	1	000-042-5082-05	\$1.00
26	Consult	Gear, flat, change	1	000-135-7390-15	\$31.00
27	188065	Frame, change over	1	100-004-5821-00	\$153.00
28	188066	Frame, change over	1	100-004-5822-00	\$74.00
29	160748	Bearing radial, deep groove	2	000-094-2649-05	\$6.00
30	191014	Stay, interface	1	000-139-9350-21	\$100.00
31	172567	Housing, linear bush	2	000-135-7305-09	\$27.00
32	172568	Bearing, linear bush	4	000-070-1070-09	\$20.00
33	Consult	Collar	1	000-063-1176-02	\$2.00
34	Consult	Detect plate, transfer, move	1	000-147-0655-02	\$18.00
35	Consult	Bracket, motor	1	000-133-8426-32	\$41.00
36	125715	Motor assy, stepping Z, M304	1	000-111-8337-04	\$85.00
37	Consult	Gear, flat	1	000-135-7393-07	\$19.00
38	Consult	Shaft, rack, brake	1	000-133-8427-36	\$11.00
39	Consult	Stopper, rack	1	000-139-9253-14	\$29.00
40	Consult	Bracket, solenoid	1	000-133-8387-32	\$14.00
41	Consult	Link	1	000-046-2225-09	4.00
42	171855	White gear, flat, idler	1	000-135-7084-06	\$3.00
43	172569	Solenoid assy, L302	1	000-138-5600-02	\$30.00
44	Consult	Bracket, sheet	1	000-147-0978-04	\$80.00
—	168506	Wire anti-static, 20 in (sold by the inch)	2	142-6094-07	\$1.00
45	172570	Spring, coil, compressive	1	000-133-8484-11	\$2.00
46	Consult	Collar	1	000-017-6855-00	\$3.00
47	Consult	Bracket, cutter, loading	1	100-001-6573-00	\$36.00
48	Consult	Plate B, cutter, trimming	2	100-001-6574-00	\$10.00
49	198652	Cutter	2	000-139-9413-04	\$4.00
50	Consult	Frame, rear	1	000-147-0915-19	\$274.00
51	Consult	Plate A, interference	1	000-076-1711-06	\$4.00
52	Consult	Shaft, linear	2	000-133-8478-09	\$52.00
53	172571	Spring, coil, compressive	2	000-133-8488-06	\$3.00
54	Consult	Bracket, sensor	2	000-134-8090-14	\$4.00
55	Consult	Bracket, drive, transfer	1	100-004-5826-00	\$100.00
56	189111	Rubber pad	2	000-039-8056-01	\$1.00

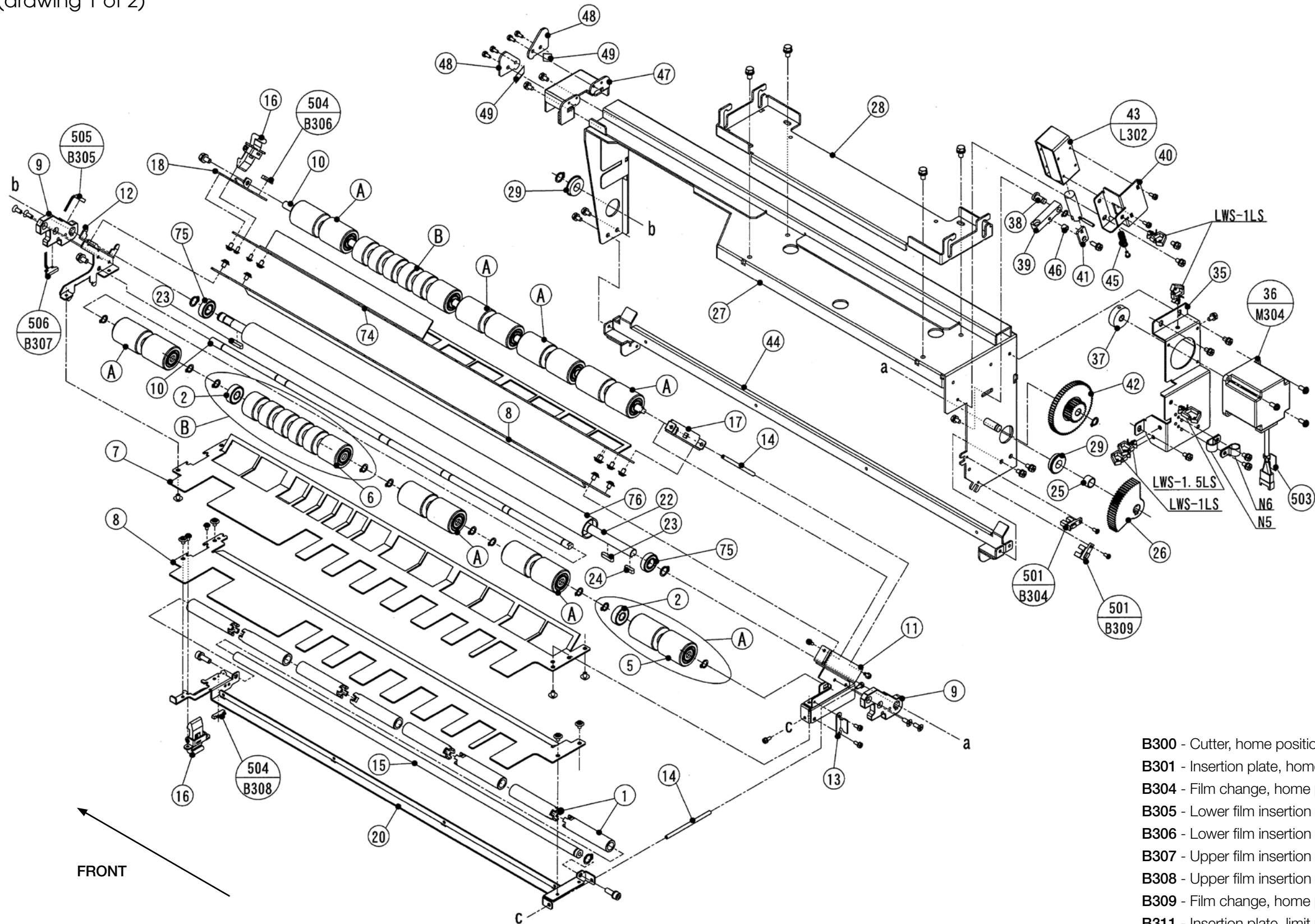
Film Insertion Unit

Part Number/Price

REF #	PART #	DESCRIPTION	QTY	SYNONYM	PRICE
57	172572	Bearing, radial, deep groove	2	000-094-2650-00	\$5.00
58	Consult	Bracket, pulley, idler	1	100-004-5831-00	\$16.00
59	191003	Shaft, drive	1	000-133-8404-12	\$15.00
60	191006	Timing pulley, S5M, BF	1	000-057-0324-03	\$26.00
61	Consult	Bracket, motor, s-fold	1	100-004-5827-00	\$21.00
62	172573	Motor assy, stepping X, M303	1	000-138-2122-08	\$68.00
63	172554	Timing belt, HPS5M	1	000-109-8058-13	\$13.00
64	191007	Key, parallel, both ends round	1	000-002-7289-00	\$7.00
65	Consult	Timing pulley, S5M, AF	1	000-141-6389-08	\$14.00
66	Consult	Sheet, cutter	1	000-133-8381-20	\$7.00
67	187231	Lever, drive	1	000-135-7391-00	\$23.00
68	172319	Rod end, type I, F	1	000-000-3738-06	\$37.00
69	172320	Rod end, type I, F	1	000-004-1447-04	\$19.00
70	189102	Hex nut, T1, left-hand thread	1	000-000-0109-02	\$1.00
71	189270	Threaded rod, turnbuckle, mm	1	000-133-8396-16	\$19.00
74	192219	Holder, film, lower roll	1	100-002-1085-03	\$184.00
75	47168	Bearing, radial, deep groove	2	000-000-3659-05	\$20.00
76	189271	Roller, film, lower	1	100-002-2344-00	\$129.00
501	171837	Photo interrupter, trans, straight connector, B300, B301, B304, B309, B311	5	000-132-6468-07	\$18.00
502	Consult	Accessory, band, marking tie	1	000-135-2727-09	\$2.00
503	Consult	Accessory, band, marking tie	1	000-135-2728-02	\$2.00
504	105979	Magnet, green, frame, upper B308, lower B306	2	000-067-2609-01	\$15.00
505	175361	Sensor assy, white tubing, lower, open/close, B305	1	100-002-8533-01	\$52.00
506	175362	Sensor assy, black tubing, upper, open/close, B307	1	100-002-8532-02	\$44.00
—	189088	Screw, mount, Phillips pan head, M2x4 SST	8	000-000-0067-00	\$1.00
507	172574	Fan assy, fan heater left, M306	1	100-002-1276-00	\$88.00
999	171856	Magnet, green proximity sensor, 3-inch leads, no connector		100-006-2238-00	\$25.00

Ishida WM-Ai

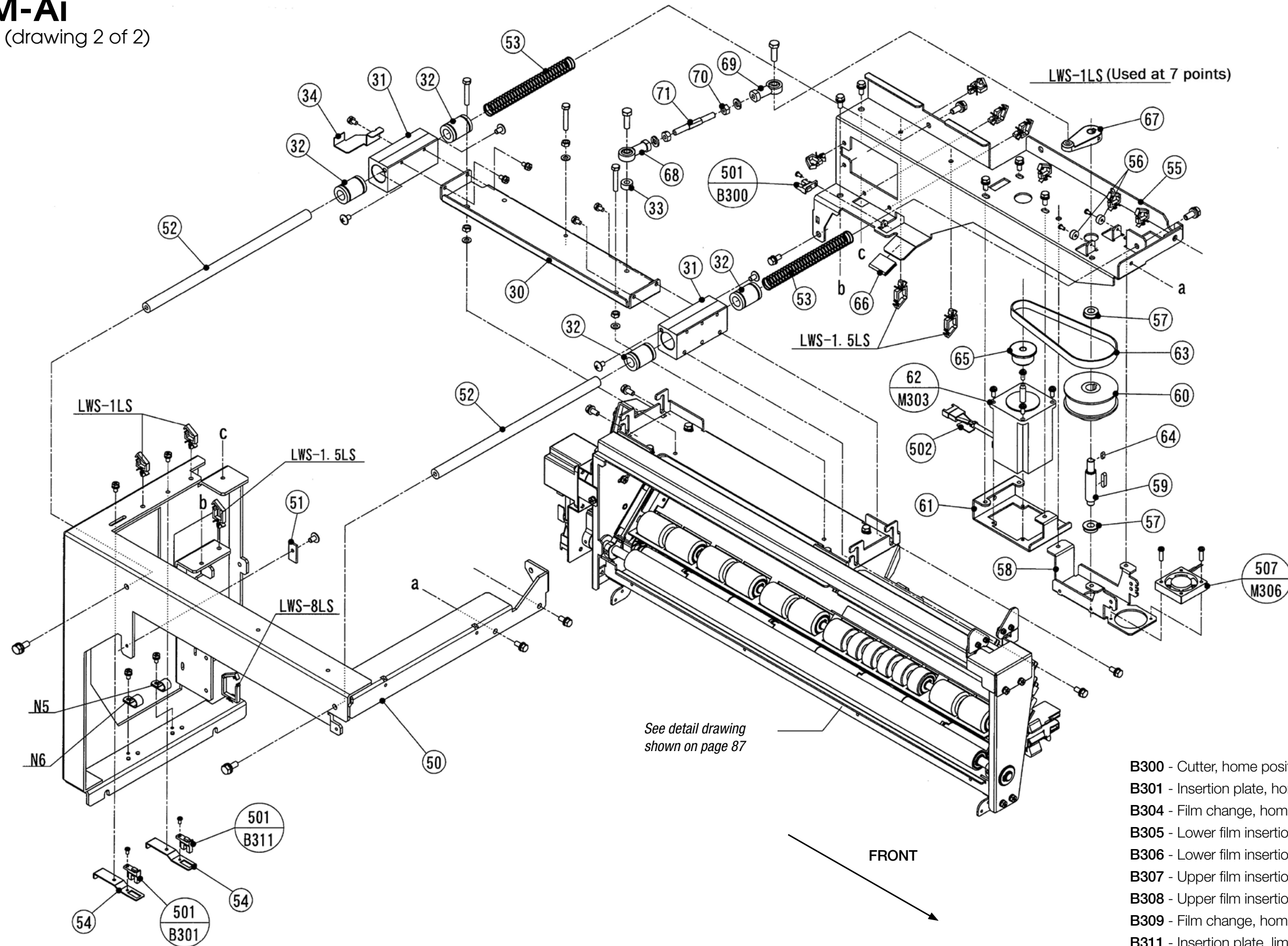
Film Insertion Unit (drawing 1 of 2)



- B300 - Cutter, home position
- B301 - Insertion plate, home position
- B304 - Film change, home position, inside, upper
- B305 - Lower film insertion plate, open/closed
- B306 - Lower film insertion plate, open/closed, magnet
- B307 - Upper film insertion plate, open/closed
- B308 - Upper film insertion plate, open/closed, magnet
- B309 - Film change, home position, outside, lower
- B311 - Insertion plate, limit position

Ishida WM-Ai

Film Insertion Unit (drawing 2 of 2)



- B300 - Cutter, home position
- B301 - Insertion plate, home position
- B304 - Film change, home position, inside, upper
- B305 - Lower film insertion plate, open/closed
- B306 - Lower film insertion plate, open/closed, magnet
- B307 - Upper film insertion plate, open/closed
- B308 - Upper film insertion plate, open/closed, magnet
- B309 - Film change, home position, outside, lower
- B311 - Insertion plate, limit position

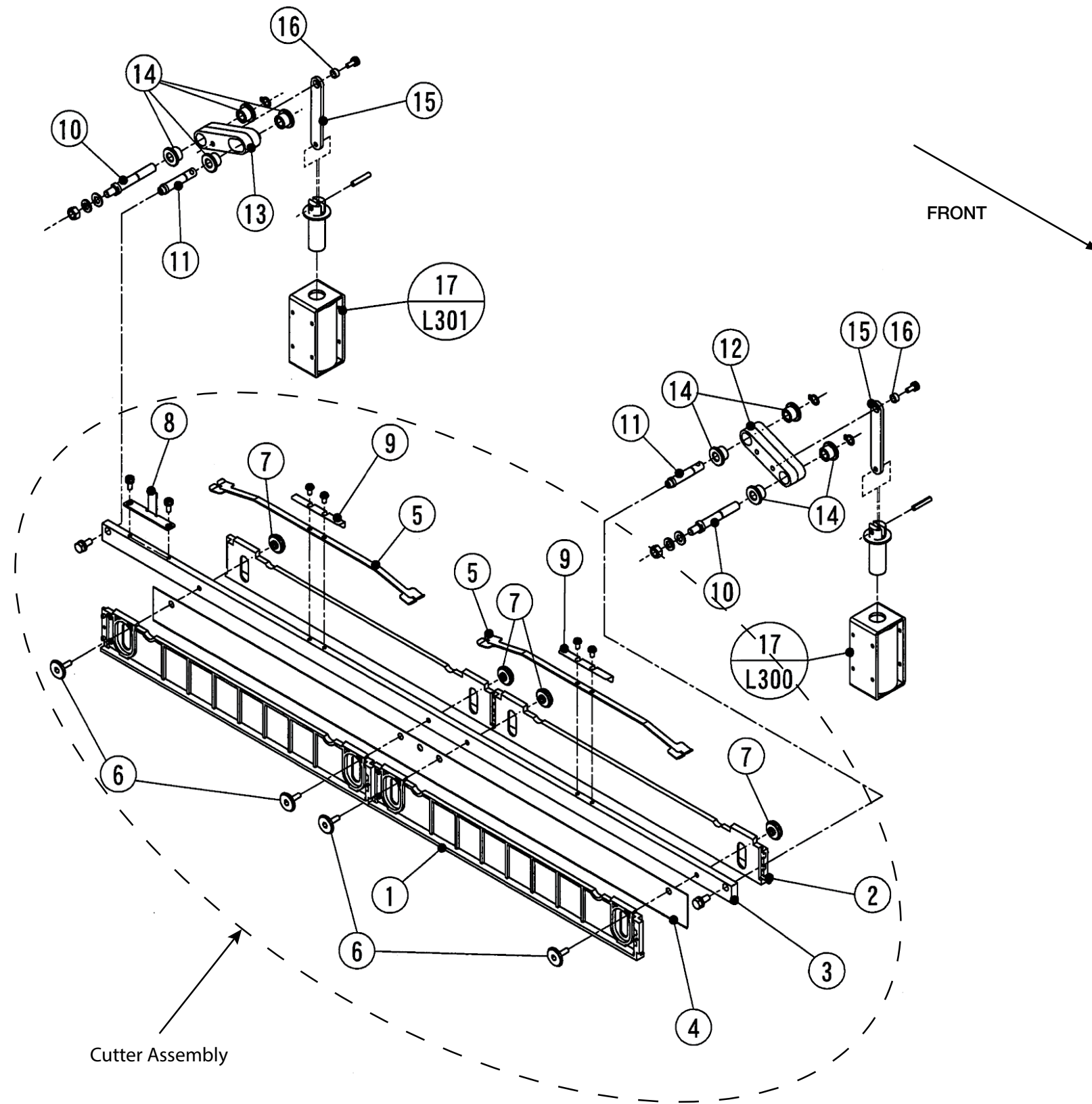
Cutter Unit

Part Number/Price

REF #	PART #	DESCRIPTION	QTY	SYNONYM	PRICE
1	178891	Block assy, cutter, outer	1	000-112-6781-05	\$52.00
2	178892	Block assy, cutter, inner	1	000-112-6780-01	\$52.00
3	Consult	Plate A, cutter	1	000-133-8496-33	\$41.00
4	176682	Cutter, saw blade	1	000-145-8199-03	\$189.00
5	178893	Spring plate, cutter	2	000-145-9565-16	\$13.00
6	189272	Pin assy, cutter, hold	4	000-145-9828-06	\$7.00
7	189273	Pin assy, cutter upper	4	000-145-9827-02	\$7.00
8	Consult	Detect plate, cutter	1	000-131-1633-28	\$11.00
9	182314	Spring plate, hold	2	000-125-5315-00	\$6.00
10	189274	Pin, cutter	2	000-139-9367-25	\$13.00
11	189275	Pin, cutter	2	000-133-8422-38	\$14.00
12	189276	Block B, cutter	1	000-135-7302-08	\$13.00
13	189277	Block B, cutter	1	000-135-7303-01	\$12.00
14	93355	Bush	8	000-064-0201-24	\$4.00
15	189278	Plate A	2	000-136-3624-00	\$2.00
16	189279	Collar	2	000-094-0174-15	\$4.00
17	172596	Solenoid assy, cutter, L300, L301	2	000-139-9318-03	\$35.00
ASSY	171857	Cutter assembly	1	100-005-0925-00	\$360.00

Ishida WM-Ai

Cutter Unit



ISHIDA WM-AI

Frame Front

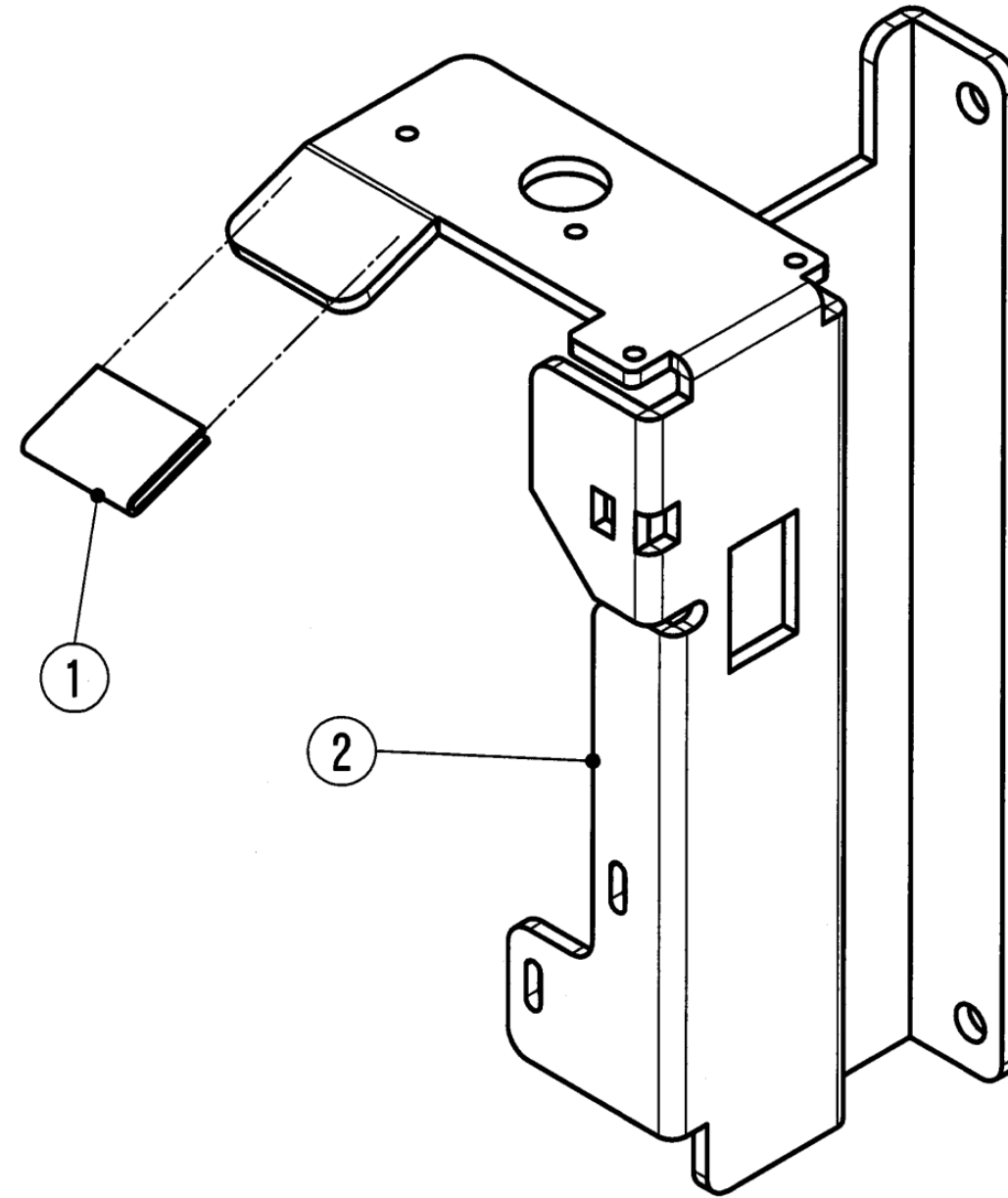
Part Number/Price

REF #	PART #	DESCRIPTION	QTY	SYNONYM	PRICE
1	Consult	Sheet, cutter	1	000-133-8381-20	\$7.00
2	Consult	Frame, front	1	000-133-8418-51	\$55.00

Ishida WM-AI

Ishida WM-Ai

Frame Front



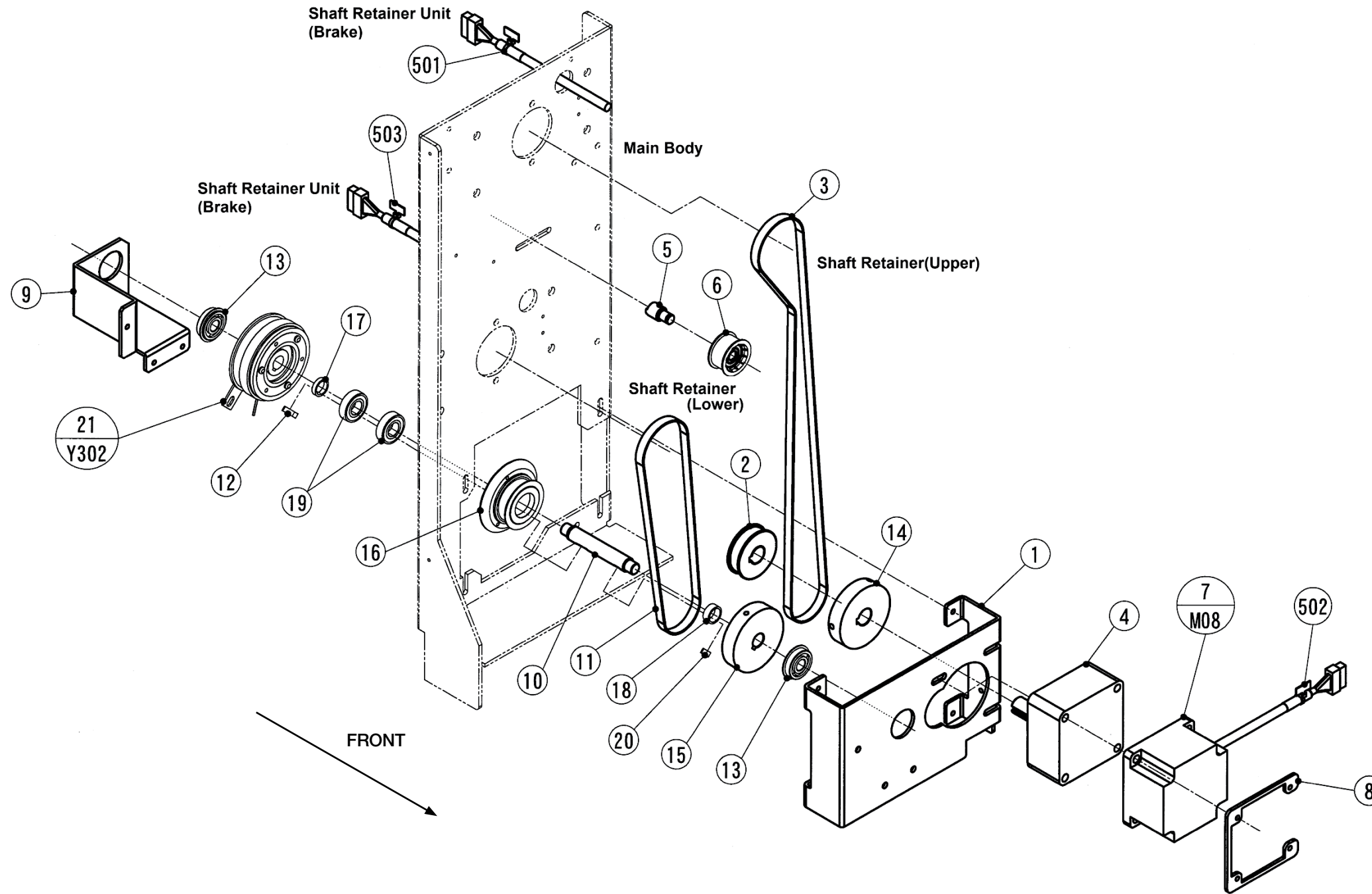
Film Roll Drive Unit

Part Number/Price

REF #	PART #	DESCRIPTION	QTY	SYNONYM	PRICE
1	Consult	Bracket, motor	1	000-145-8437-19	\$48.00
2	Consult	Timing, pulley, S5M, AF	1	000-139-9397-08	\$31.00
3	172552	Timing belt, HPS5M	1	000-109-8057-10	\$24.00
4	172557	Gear head	1	000-055-9082-01	\$193.00
5	189200	Shaft, tension, s-fold	1	000-086-7487-11	\$7.00
6	93622	Pulley, idler	1	000-045-3957-08	\$15.00
7	194507	Motor, DC brushless, M08	1	000-135-2937-04	\$237.00
8	Consult	Plate B, motor	1	000-116-1865-14	\$9.00
9	Consult	Bracket, bearing	1	000-145-8434-09	\$28.00
10	Consult	Shaft, follower	1	000-139-2946-16	\$77.00
11	172597	Timing belt, HPS5M	1	000-145-8439-07	\$20.00
12	189211	Key, parallel, both ends round	1	000-005-3753-09	\$3.00
13	160472	Bearing, radial, deep groove	2	000-039-2451-07	\$14.00
14	Consult	Gear, flat	1	000-139-2948-22	\$94.00
15	Consult	Gear, flat	1	000-139-2949-26	\$94.00
16	172598	Timing pulley, S5M	1	000-139-9398-01	\$31.00
17	189280	Collar	1	000-139-2535-00	\$4.00
18	Consult	Collar	1	000-139-2947-10	\$7.00
19	65761	Bearing, radial, deep groove	2	000-000-3643-06	\$15.00
20	189281	Key, parallel, both ends round	1	000-046-2185-03	\$3.00
21	172599	Clutch assy, roll hold, Y302	1	000-139-9080-08	\$276.00
501	Consult	Accessory, band, marking tie	1	000-135-4852-09	\$2.00
502	Consult	Accessory, band, marking tie	1	000-135-2737-06	\$2.00
503	Consult	Accessory, band, marking tie	1	000-135-4853-02	\$2.00

Ishida WM-Ai

Film Roll Drive Unit



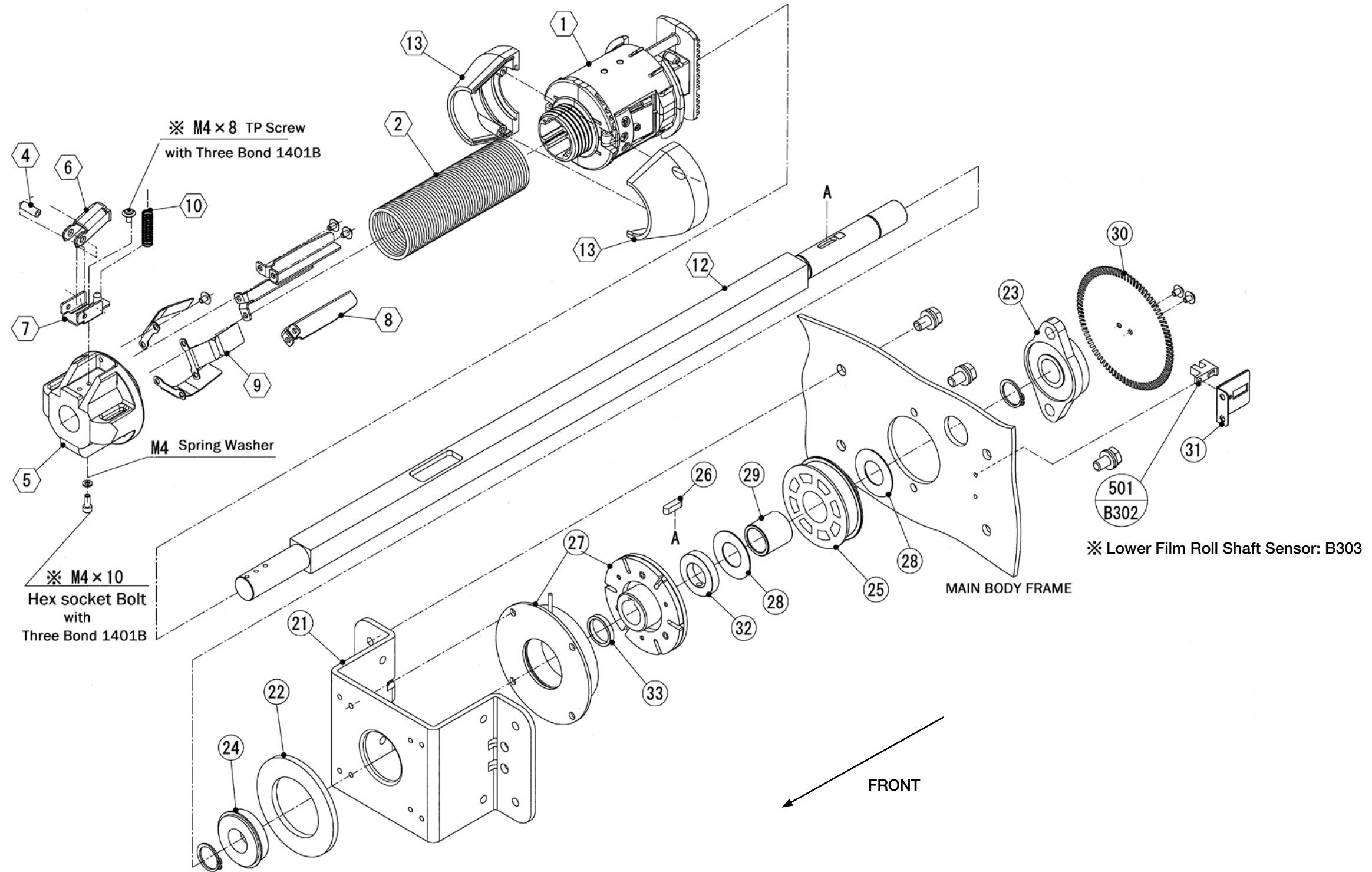
Film Roll Shaft Unit

Part Number/Price

REF #	PART #	DESCRIPTION	QTY	SYNONYM	PRICE
1	171858	Slide, roll assy	1	000-135-2870-09	\$135.00
2	197051	Spring, coil slide roll	1	000-070-5032-39	\$20.00
4	Consult	Shaft, holder, roll	1	000-150-3396-05	\$41.00
5	Consult	Holder, roll, film	1	000-073-7229-07	\$41.00
6	Consult	Stopper, film, roll	1	000-150-3397-10	\$5.00
7	Consult	Bracket, holder, roll	1	000-091-0549-16	\$8.00
8	189282	Guide, roll, film	3	000-139-2762-09	\$5.00
9	189283	Spring, plate	3	000-070-5268-31	\$4.00
10	189284	Spring, coil, compressive	1	000-053-8768-03	\$1.00
11	Consult	Shaft, roll, A	1	000-139-2966-20	\$206.00
12	Consult	Shaft, roll, B	1	000-139-9068-22	\$211.00
13	Consult	Guide, roll	2	000-139-2761-05	\$2.00
21	Consult	Bracket, roll hold	1	000-136-3676-03	\$36.00
22	Consult	Sheet, stopper, round	1	000-147-0538-08	\$9.00
23	172600	Bearing, unit flange	1	000-030-6417-09	\$35.00
24	172602	Bearing, radial, deep groove	1	000-028-1568-09	\$11.00
25	172603	Timing pulley, S5M, BF, with one-way bearing	1	000-139-9396-04	\$32.00
26	189211	Key, parallel, both ends round	1	000-005-3753-09	\$3.00
27	172604	Brake assy, roll hold, Y300 (upper), Y301 (lower)	1	000-139-9079-03	\$200.00
28	Consult	Washer, thrust, M20 plastic	2	000-006-6101-09	\$5.00
29	172605	Clutch, one way	1	000-137-8116-00	\$97.00
30	189285	Plate B, encoder	1	000-139-9150-14	\$5.00
31	189286	Bracket, sensor	1	000-137-8121-36	\$2.00
32	Consult	Collar, fixed	1	000-139-2952-28	\$11.00
33	Consult	Collar	1	000-139-2965-17	\$6.00
501	171837	Photo interrupter, trans, straight connector, B302 (upper) B303 (lower)	1	000-132-6468-07	\$18.00

Ishida WM-Ai

Film Roll Shaft Unit



B302 - Rotation speed encoder, upper film roll
B303 - Rotation speed encoder, lower film roll

Printer Unit

Part Number/Price

REF #	PART #	DESCRIPTION	QTY	SYNONYM	PRICE
1	187431	Shaft, step type	2	000-150-3084-03	\$55.00
2	157891	Roller, blue, label, hold assy	11	000-079-8591-03	\$2.00
3	Consult	Frame, hold, lon	1	100-000-1117-01	\$32.00
4	157916	Collar	6	000-091-8682-18	\$4.00
5	157917	Collar	38	000-077-4891-20	\$4.00
6	Consult	Frame, hold	1	000-078-0812-19	\$9.00
7	187432	Shaft, stock	1	000-136-3566-07	\$7.00
8	Consult	Bracket, sensor, R	1	000-078-0813-03	\$4.00
9	Consult	Bracket, sensor, L	1	000-078-0816-04	\$3.00
10	187433	Shaft, roller, assist	2	000-044-3821-17	\$7.00
11	110525	Roller, assist	1	000-060-8956-04	\$32.00
12	195784	Plate A, holder	1	000-136-3565-03	\$4.00
13	195782	Bracket, assist printer	2	000-078-0818-01	\$3.00
14	187438	Collar, spacer	4	000-059-4384-06	\$1.00
15	187439	Spring, coil, compressive	4	000-086-7397-10	\$1.00
16	Consult	Bracket, assist, upper	1	000-078-0820-19	\$5.00
17	187440	Spring, coil	1	000-078-0821-12	\$5.00
18	187441	L plate A	1	000-078-0822-07	\$2.00
19	187444	L plate A, press	1	000-078-0823-01	\$2.00
20	187445	Collar, spacer	1	000-027-6196-08	\$1.00
21	187446	Spring, coil, compressive	4	000-072-5278-14	\$4.00
22	187447	Roller, assist	1	000-069-4967-06	\$17.00
23	187448	Spring, plate	1	000-075-5774-08	\$10.00
24	187449	Guide, printer, cassette	1	000-075-5709-14	\$10.00
25	187366	Roller, pole	1	000-011-0853-07	\$6.00
26	187450	Collar, step	1	000-076-7629-05	\$13.00
27	187451	Shaft, guide, label	1	000-136-3568-04	\$11.00
28	187452	Guide, label	1	000-078-0987-17	\$6.00
29	187453	Guide, label	2	000-068-5048-46	\$7.00
31	178189	Shaft, label	2	000-136-3569-08	\$11.00
32	187454	Roller, guide	1	000-078-0991-03	\$3.00
33	172640	Motor assy, stepping, M20	1	000-111-5669-19	\$74.00
34	Consult	Bracket, motor	1	000-135-2562-11	\$18.00
35	187455	Gear, flat	1	000-135-7394-01	\$19.00
36	172641	Rail, slide	2	000-086-7470-19	\$37.00
37	172642	Catch, magnet	1	000-079-1224-01	\$13.00
38	187456	Collar, label	4	000-079-8952-04	\$2.00
39	Consult	Bracket, plate, R	1	000-112-9515-11	\$31.00
40	187457	Timing pulley, S3M, C	2	000-073-7220-04	\$21.00
41	125887	Timing belt, CP-S3M	1	000-139-2517-02	\$10.00
42	171873	Roller, print	2	000-086-7371-13	\$36.00
43	Consult	Cover, belt	1	000-078-0830-43	\$6.00
44	187458	Shaft, peel	1	000-090-5345-05	\$15.00
45	187459	Shaft, idler	1	000-078-0831-10	\$7.00
46	Consult	Bracket plate L-Assy	1	000-112-9538-07	\$55.00
47	187460	Shaft, stock	1	000-070-9862-47	\$8.00
48	187461	Timing pulley, S3M, AF	1	000-135-7395-13	\$36.00
49	93355	Bush	4	000-064-0201-24	\$4.00
50	187462	Bush	1	000-075-1324-01	\$4.00
51	187463	Bush	1	000-075-1325-04	\$4.00
52	172643	Bearing, radial, idler shaft	2	000-065-6920-00	\$3.00
53	Consult	Frame, printer	1	000-135-2561-62	\$211.00
54	171874	Winding assy, includes drive belt	1	000-143-5342-04	\$83.00
55	Consult	Cover, front	1	000-136-3984-02	\$26.00
56	172652	Spring, coil, compressive	1	000-079-1005-20	\$5.00

Printer Unit

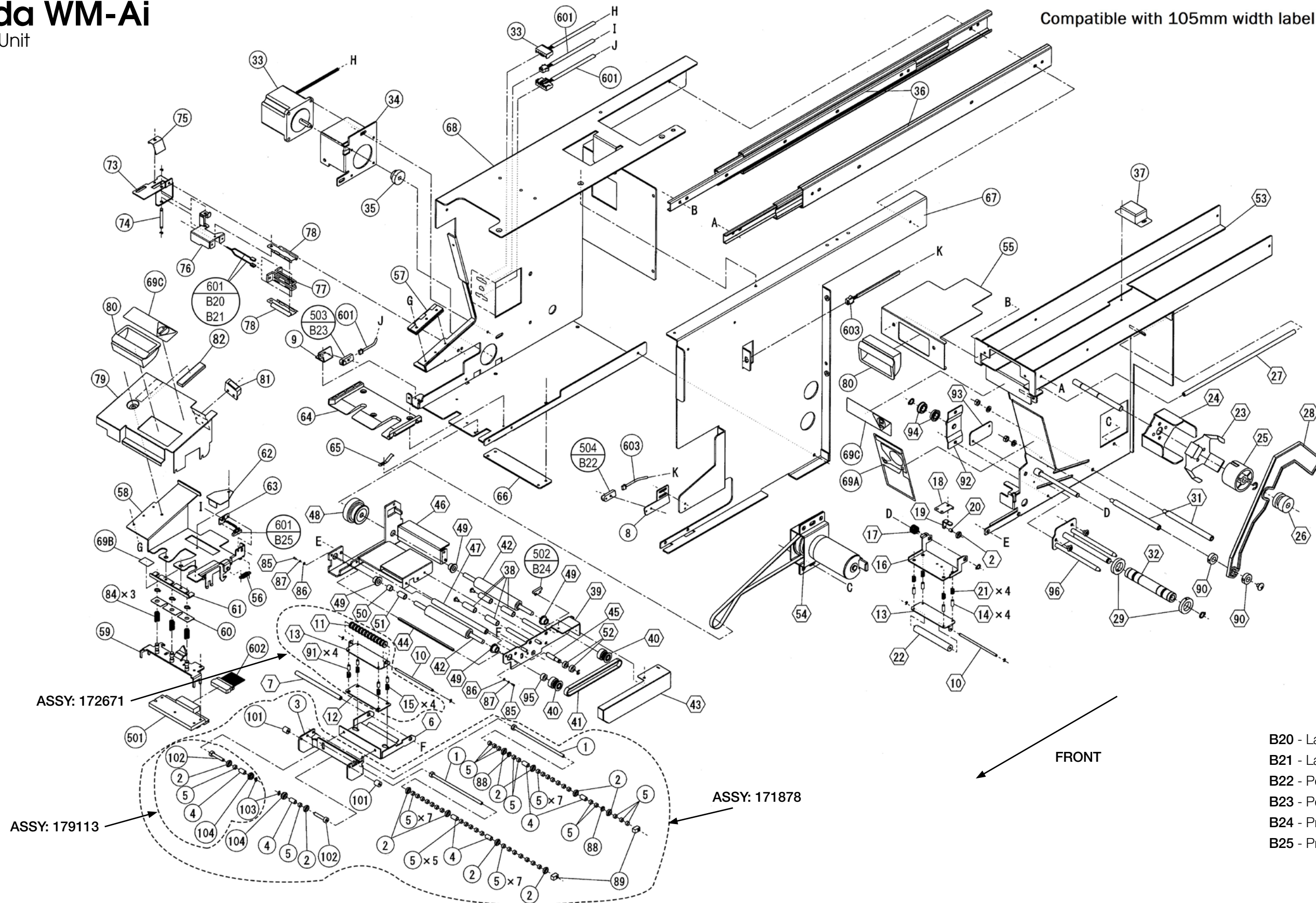
Part Number/Price

REF #	PART #	DESCRIPTION	QTY	SYNONYM	PRICE
57	Consult	Hinge	1	000-013-9941-09	\$23.00
—	Consult	Screw, counter sink, M3x8	6		Consult
58	172662	Bracket assy, printer	1	000-138-5901-03	\$27.00
59	Consult	Bracket, printer, thermal	1	000-112-9535-06	\$22.00
60	187464	L plate A, spring support	1	000-078-0994-04	\$3.00
61	187465	Stay, head, thermal	1	000-078-0993-29	\$3.00
62	187466	Plate B, press head	1	000-078-0992-16	\$5.00
63	187467	Bracket, switch head	1	000-136-3564-00	\$4.00
64	Consult	Guide, printer, lower	1	000-078-0986-04	\$6.00
65	187468	Crank plate A, spring	1	000-091-2164-04	\$3.00
66	Consult	Bracket, printer	1	000-136-3563-06	\$11.00
67	Consult	Frame, printer, R	1	000-137-0968-16	\$132.00
68	Consult	Frame, printer, L	1	000-135-2560-71	\$197.00
69	Consult	Decal set, printer	1	100-001-4718-01	\$200.00
73	195827	Bracket, printer sensor	1	000-136-3986-26	\$6.00
74	187469	Shaft	1	000-137-0514-00	\$3.00
75	167125	Spring, plate	1	000-079-1227-01	\$8.00
76	195828	Bracket, sensor	1	000-135-4822-43	\$7.00
77	167127	Holder, sensor	1	000-076-1988-01	\$2.00
78	167128	Cover, sensor	2	000-078-0984-16	\$3.00
79	Consult	Cover, head	1	000-139-2504-04	\$27.00
80	193560	Lug	2	000-073-5832-06	\$4.00
81	159595	Catch, magnet	1	000-072-8605-01	\$4.00
82	Consult	Gasket	1	000-065-1825-01	\$3.00
84	172667	Spring, coil, compressive	3	000-072-8616-01	\$4.00
85	187470	Screw, cross pan head, M1.7x6mm SST	2	000-090-5431-02	\$1.00
86	187471	Plain washer, M1.7 SST	2	000-090-5432-06	\$1.00
87	187472	Spring washer, M1.7 SST	2	000-090-5433-00	\$1.00
88	187473	Collar, B	2	000-079-8972-09	\$10.00
89	187474	Block A, assist	2	000-091-8679-07	\$7.00
90	187475	Collar A	2	000-095-9235-00	\$14.00
91	187476	Collar spacer	4	000-113-7378-08	\$1.00
92	Consult	Bracket, pulley, tension	1	000-137-0519-17	\$7.00
93	Consult	Plate A, label guide	1	000-148-4354-01	\$4.00
94	172635	Bearing radial, label shaft	2	000-000-3727-05	\$12.00
95	187477	Bush	1	000-075-1321-00	\$4.00
96	Consult	Guide assy, label	1	000-148-4353-10	\$59.00
101	187478	Collar	2	000-149-6798-06	\$70.00
102	186558	Shaft, step, short	2	000-149-6797-02	\$103.00
103	178225	C ring, for shaft, 3 mm ID	2	000-014-8693-09	\$1.00
104	178190	Roller, label	2	100-012-1219-00	\$13.00
501	171875	Print head, thermal	1	100-010-2669-00	\$269.00
502	105979	Magnet, green, head up proximity switch, B24	1	000-067-2609-01	\$15.00
—	189088	Screw, mount, Phillips pan head, M2x4 SST	4	000-000-0067-00	\$1.00
503	171876	Photo interrupter trans, peel sensor, left, B23	1	000-112-1169-16	\$9.00
504	171877	Photo interrupter, trans, receive, peel sensor, right, B22	1	000-112-1170-11	\$9.00
601	172669	Sensor assy, label gap and head up, B20, B21, B25	1	100-002-3523-01	\$121.00
602	172670	Harness, C2, thermal head	1	000-135-0319-23	\$109.00
603	182821	Harness, C2, sensor	1	100-002-3521-00	\$5.00
ASSY	171878	Stand by roller unit	1	100-006-8837-00	\$508.00
ASSY	172671	Roller assembly, assist		000-131-7350-08	\$36.00
ASSY	179113	Roller, stand by, short, assy (includes 2, 4, 5, 102, 103, 104)	2	100-006-8837-00	\$74.00

Ishida WM-Ai

Printer Unit

Compatible with 105mm width label



- B20 - Label gap sensor, emitter
- B21 - Label gap sensor, receiver
- B22 - Peel sensor, receiver
- B23 - Peel sensor, emitter
- B24 - Print head up magnet
- B25 - Print head up sensor

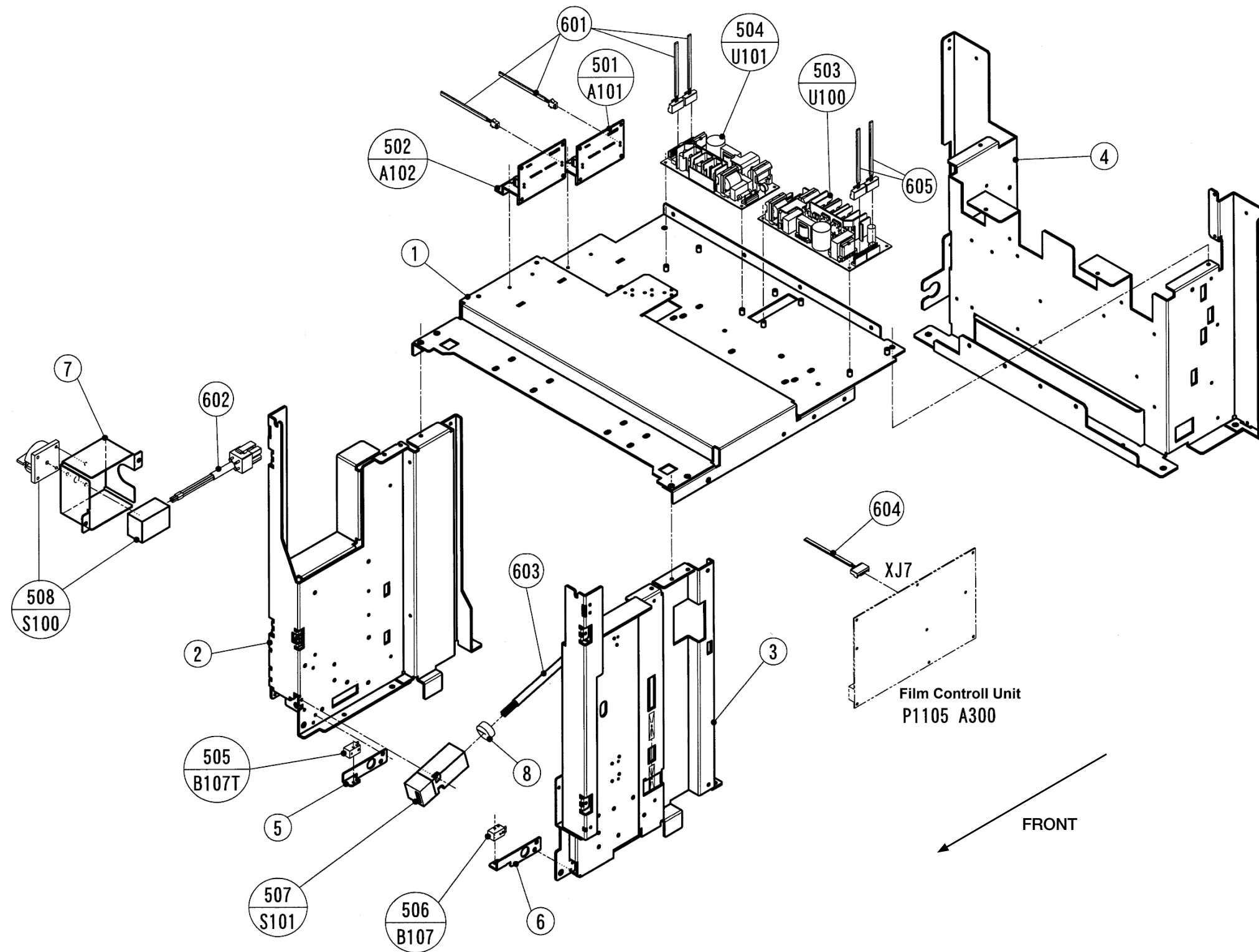
Printer Frame Unit

Part Number/Price

REF #	PART #	DESCRIPTION	QTY	SYNONYM	PRICE
1	Consult	Base, printer, top plate	1	000-135-0028-67	\$162.00
2	Consult	Frame, applicator base, L	1	000-135-0026-50	\$259.00
3	Consult	Frame, applicator base, R	1	000-135-2650-62	\$189.00
4	Consult	Frame, applicator, rear	1	000-133-8319-37	\$165.00
5	Consult	Bracket, sensor, safety	1	000-139-9302-31	\$10.00
6	Consult	Bracket, sensor, safety	1	000-139-9301-38	\$10.00
7	Consult	Bracket, power, SW	1	000-135-0034-13	\$16.00
8	Consult	Cap, harness, switch	1	000-091-0707-09	\$2.00
501	171859	PWB, P-1006, C-5, applicator front/back (Y-axis) and rotation (O-axis), A101	1	000-139-9340-06	\$170.00
502	171860	PWB, P-1006, C-6, applicator right/left (X-axis) and up/down (Z-axis), A102	1	000-139-9341-00	\$194.00
503	171861	Power, supply, switching, U100, LFP240F-24-J1Y	1	000-148-4467-09	\$179.00
504	171862	Power, supply, switching, U101, LFP150F-24-J1Y	1	000-148-4466-05	\$115.00
505	125711	Photo interrupter, trans, B107T	1	000-112-9768-07	\$8.00
506	125712	Photo interrupter, trans, receive, B107	1	000-112-9769-01	\$23.00
507	157866	Switch, safety, printer door, S101	1	000-111-8428-00	\$77.00
508	125717	Switch, rotary, main power on/off, S100	1	000-134-8366-02	\$52.00
601	189287	Harness, C4, power DC	1	000-148-4469-06	\$10.00
602	189288	Harness, C5, power SW	1	000-137-8216-27	\$22.00
604	189289	Harness, C3, sensor	1	000-148-4472-17	\$17.00
605	189290	Harness, C5, power DC	1	000-148-4470-01	\$22.00

Ishida WM-Ai

Printer Frame Unit



B107 - Applicator safety, receiver
 B107T - Applicator safety, emitter

Applicator Unit

Part Number/Price

REF #	PART #	DESCRIPTION	QTY	SYNONYM	PRICE
1	Consult	Bracket, applicator, X1	1	000-145-9825-05	\$80.00
2	193550	Shaft, linear, X1	2	000-108-0300-37	\$52.00
3	172606	Housing, linear, X	1	000-135-7086-03	\$18.00
4	157900	Bearing, linear bush, shaft X1	3	000-069-4929-04	\$23.00
5	Consult	Holder, belt, 128	1	000-136-3545-09	\$2.00
6	171872	Timing belt, XL	1	000-108-0399-17	\$11.00
7	Consult	Timing pulley, XL, AF	1	000-109-8408-13	\$12.00
8	172607	Pulley, tension	3	000-111-8488-03	\$10.00
9	Consult	Shaft, bearing	3	000-108-0297-39	\$6.00
10	172573	Motor assy, stepping X-axis, right/left, M103	1	000-138-2122-08	\$68.00
11	Consult	Bracket, applicator, Y	1	000-136-3560-05	\$77.00
12	193551	Shaft, linear, Y	1	000-108-0302-34	\$28.00
13	193552	Shaft, slide, Y	1	000-109-8410-30	\$13.00
14	172608	Housing, linear, Y	1	000-112-6778-03	\$32.00
15	172609	Bearing, linear bush, shaft Y	1	000-069-4928-01	\$37.00
16	Consult	Holder, belt, s-fold	1	000-136-3546-02	\$6.00
17	172610	Timing belt, S3M	1	000-112-6891-01	\$10.00
18	172611	Timing pulley, S3M BF motor Y	1	000-116-1762-05	\$12.00
19	172612	Motor assy, stepping Y-axis, front/back, M104	1	000-138-2123-01	\$63.00
20	Consult	Bracket, applicator, Z1	1	000-136-3559-01	\$70.00
21	Consult	Bracket, rotation, lower	1	000-136-3558-07	\$28.00
22	Consult	Bracket, rotation, upper	1	000-136-3557-03	\$27.00
23	193553	Shaft, slide Z1	1	000-109-8409-17	\$14.00
24	193543	Block B, slide Z	1	000-112-6559-04	\$6.00
25	172613	Timing belt, S3M, step motor Z	1	000-141-6386-07	\$16.00
26	Consult	Timing pulley, S3M, BF	1	000-140-7383-02	\$70.00
27	125715	Motor assy, stepping Z-axis, up/down, M105	1	000-111-8337-04	\$85.00
28	172614	Timing belt, XL, rotation	1	000-020-0970-01	\$9.00
29	195586	Timing pulley, XL	1	000-059-8460-10	\$19.00
30	Consult	Timing pulley, XL	1	000-059-8296-42	\$30.00
31	Consult	Detect plate, rotation, upper	1	000-136-3549-03	\$3.00
32	Consult	Detect plate, rotation, lower	1	000-136-3548-00	\$3.00
33	172615	Bearing unit, linear rolling	1	000-072-5427-21	\$335.00
34	172616	Bearing, radial, deep groove	2	000-057-0387-08	\$31.00
35	172617	Motor assy, stepping, rotation, M106	1	000-138-2124-05	\$59.00
36	Consult	Bracket, arm	1	000-108-0375-54	\$70.00
37	Consult	Bracket, fan	1	000-108-0366-79	\$24.00
38	78083	Bush	2	000-037-4818-02	\$3.00
39	Consult	Catch, magnet	1	000-112-6892-05	\$23.00
40	Consult	Bracket, magnet	1	000-136-3550-08	\$10.00
41	Consult	Plate, B, spring	1	000-112-6897-12	\$11.00
42	Consult	Shaft, fulcrum, suction	1	000-108-0377-24	\$6.00
43	Consult	Bracket, suction, upper	1	000-136-3556-00	\$63.00
44	Consult	Bracket, suction, lower	1	000-136-3553-09	\$48.00
45	Consult	Bracket, sensor, suction	1	000-136-3552-05	\$19.00
46	Consult	Bracket, slide, block	1	000-136-3551-01	\$14.00
47	Consult	Threaded rod, round, ff	2	000-108-0376-11	\$6.00
48	172618	Spring, coil, compressive	2	000-108-0374-14	\$2.00
49	Consult	L plate B, stopper	1	000-136-3555-06	\$5.00
50	Consult	Detect plate, suction	1	000-136-3554-02	\$6.00
51	172619	Spring, coil, compressive	1	000-108-0372-17	\$3.00
52	Consult	Block B, slider	1	000-111-8485-02	\$4.00
53	Consult	Sheet, applicator	1	000-111-8205-06	\$2.00
54	198789	Sheet, applicator	1	000-132-6314-07	\$3.00
55	Consult	Cover assy, harness	1	000-108-0361-61	\$70.00
56	Consult	Cover, applicator	1	000-086-7416-44	\$100.00

X-axis - right/left, Y-axis - front/back, Z-axis - up/down

Applicator Unit

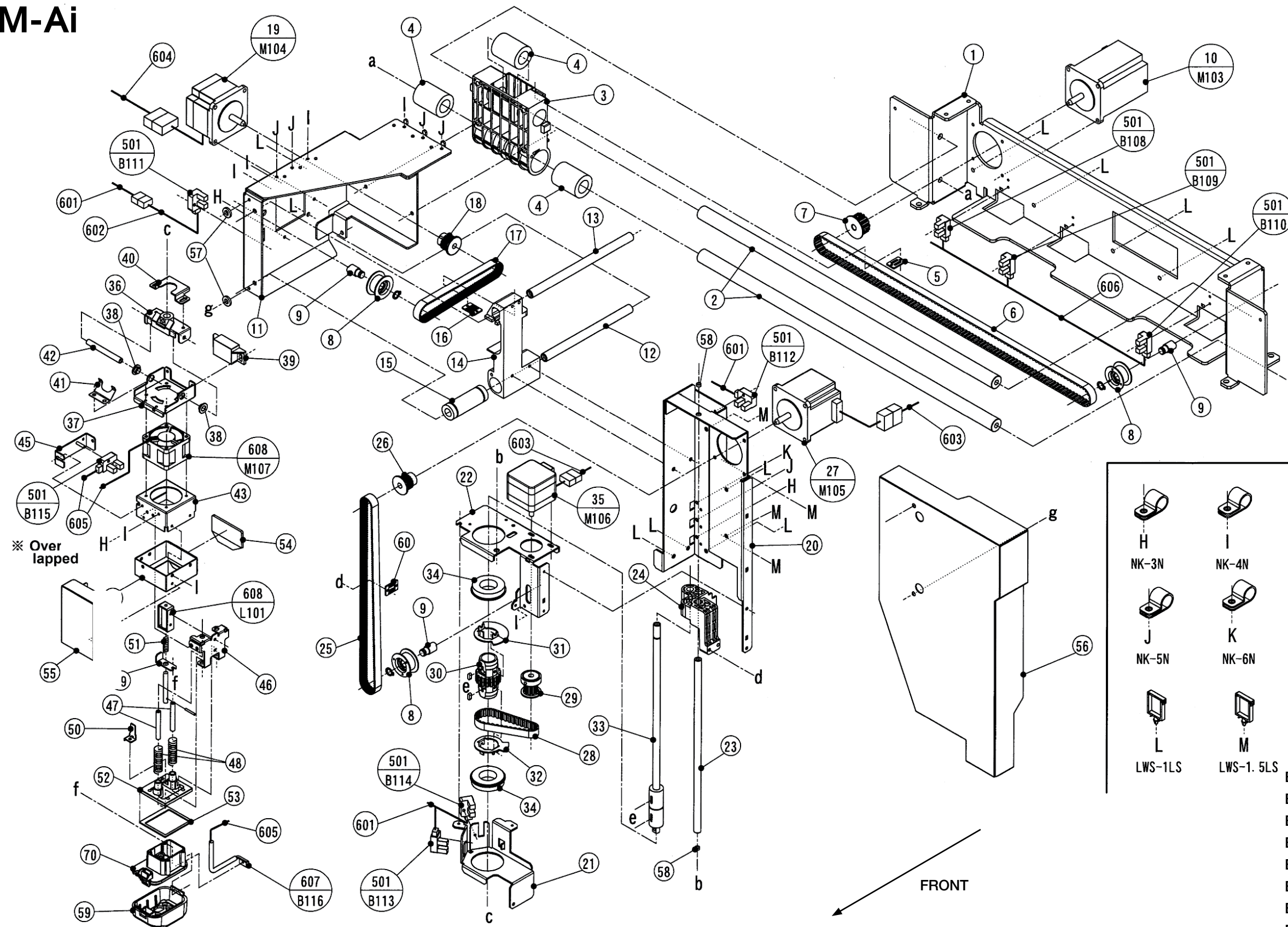
Part Number/Price

REF #	PART #	DESCRIPTION	QTY	SYNONYM	PRICE
57	Consult	Sheet	2	000-075-1075-12	\$4.00
58	Consult	Collar, spacer	2	000-113-7327-08	\$6.00
59	171864	Block B, suction	1	000-139-2565-02	\$13.00
60	Consult	Holder, belt, S3M	1	000-141-6390-02	\$8.00
70	172620	Block B, slide, suction	1	000-136-3989-18	\$6.00
501	104239	Photo interrupter, transmitter, 90 connector, B108-B115	8	000-070-5204-14	\$9.00
601	181498	Harness, C8, sensor move X-axis, Y-axis	1	000-135-0318-11	\$103.00
602	181499	Harness, C2, sensor Y-axis	1	000-135-0218-02	\$22.00
603	181500	Harness, C4, motor drive, Z-axis and rotation	1	000-136-3874-22	\$97.00
604	181501	Harness, C2, motor Y-axis	1	000-135-0226-02	\$41.00
605	172621	Harness, C4, coiled cable to B116 and M107	1	000-135-0219-06	\$153.00
606	181502	Harness, C4, sensor X-axis	1	000-135-0228-00	\$13.00
607	172623	Sensor assy, suction, label present, B116, 5-pin	1	000-135-0220-01	\$63.00
608	172624	Fan assy, suction, M107, L101, 4-pin	1	000-143-5188-16	\$106.00

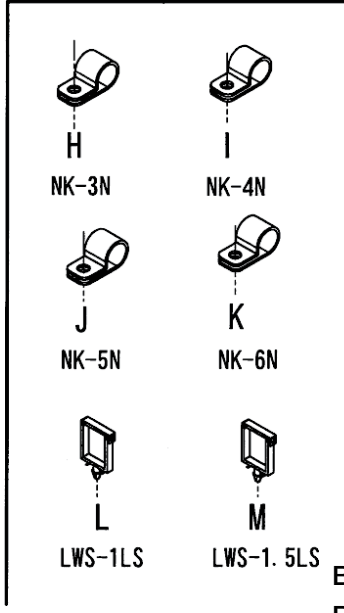
X-axis - right/left, Y-axis - front/back, Z-axis - up/down

Ishida WM-Ai

Applicator Unit



※ Over lapped



- B108 - X-axis home position
- B109 - X-axis printer 1
- B110 - X-axis printer 2 (n/a)
- B111 - Y-axis home position
- B112 - Z-axis home position
- B113 - Rotation home position
- B114 - Rotation position
- B115 - Tray contact detector
- B116 - Label present detector

X-axis - right/left, Y-axis - front/back, Z-axis - up/down

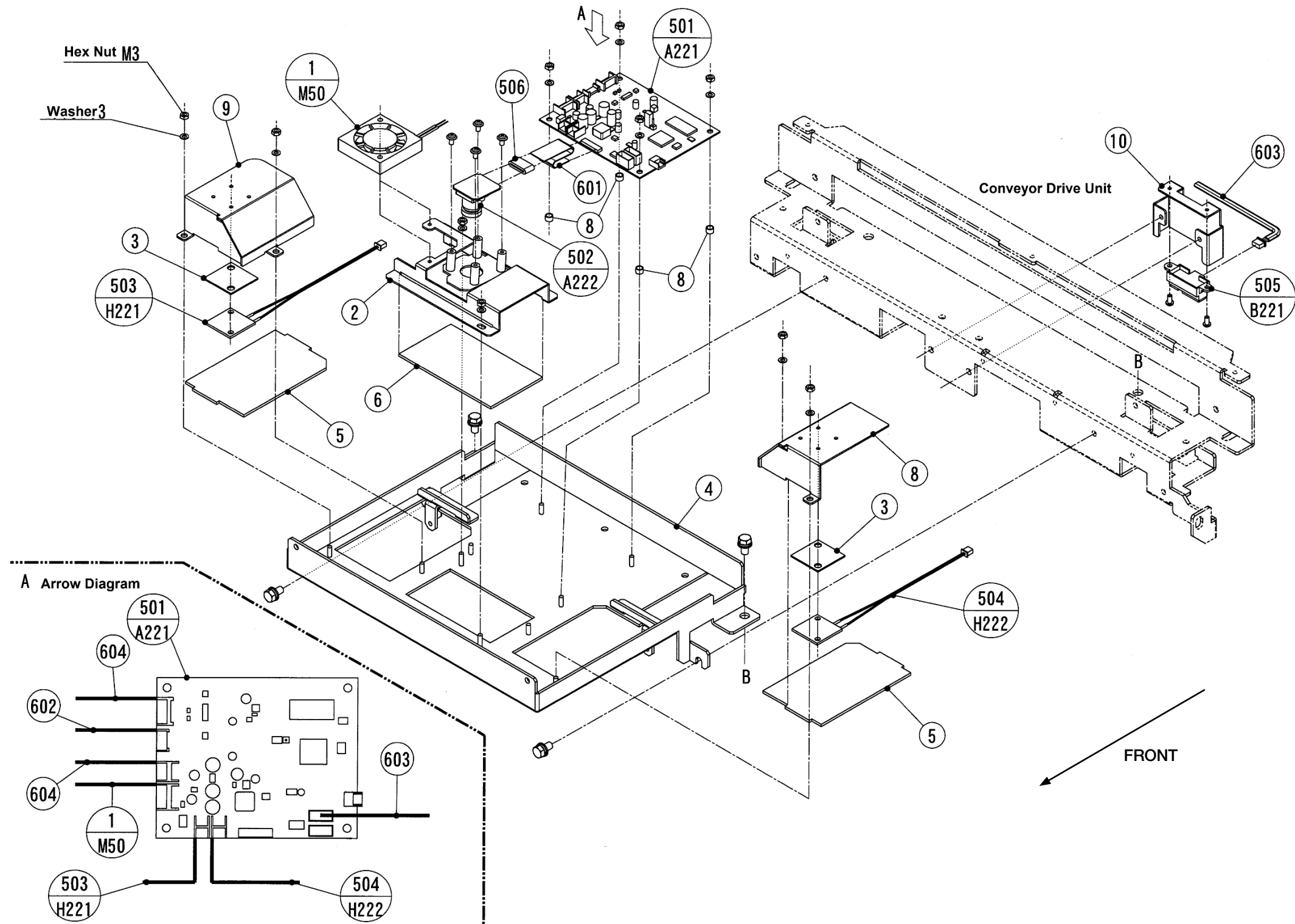
Camera Unit

Part Number/Price

REF #	PART #	DESCRIPTION	QTY	SYNONYM	PRICE
1	172625	Fan assy, M50	1	000-111-8421-04	\$59.00
2	189291	Bracket, camera	1	000-134-8969-35	\$106.00
3	Consult	Sheet, thermo	2	000-086-7211-11	\$2.00
4	Consult	Frame, conveyor, lower	1	000-138-2046-17	\$214.00
5	189292	Plate B, filter, LED	2	000-139-9264-15	\$13.00
6	189293	Plate, camera	1	000-139-9263-21	\$70.00
7	115169	Collar, spacer	4	000-048-6074-02	\$1.25
8	Consult	Cover, reflect	1	000-113-7210-06	\$52.00
9	Consult	Cover, reflect	1	000-113-7211-00	\$52.00
10	Consult	Bracket, sensor	1	000-146-5037-19	\$15.00
501	171865	PWB P-1107, camera controller, A221	1	000-135-4849-18	\$411.00
502	172626	Camera, CMOS, A222	1	000-135-4858-01	\$306.00
503	172627	LED assy, left, H221	1	100-000-2339-00	\$81.00
504	172628	LED assy, right, H222	1	100-000-2338-00	\$81.00
505	172629	Sensor, tray volume/height, B221	1	000-137-0747-01	\$37.00
506	Consult	Filter, ferrite core	1	000-138-2284-08	\$2.00
601	Consult	Harness, S2, FPC	1	000-135-4859-04	\$4.00
602	Consult	Harness, C3, detect	1	000-148-4468-02	\$14.00
603	Consult	Harness, C2, sensor	1	000-134-8984-31	\$59.00
604	Consult	Harness, C4, detect	1	100-006-4243-00	\$59.00

Ishida WM-Ai

Camera Unit



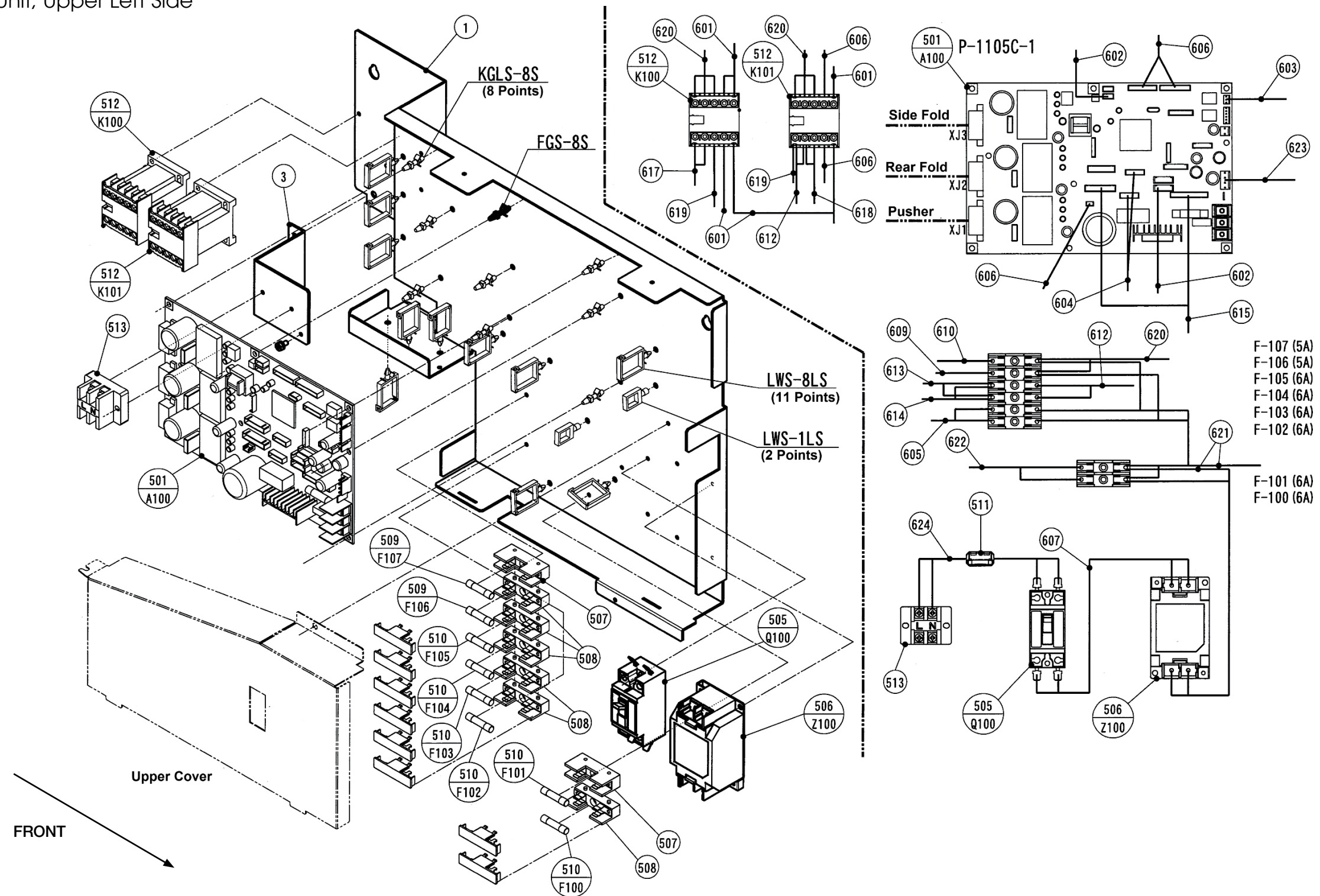
Wrapping Control Unit, Upper Left Side

Part Number/Price

REF #	PART #	DESCRIPTION	QTY	SYNONYM	PRICE
1	Consult	Frame, control, wrap	1	000-135-2662-74	\$77.00
3	Consult	Crank plate B, fixed, terminal	1	000-135-0275-05	\$32.00
501	171866	PWB P-1105 C-1, side wrap, rear wrap, discharge pusher, A100	1	000-149-6592-16	\$726.00
505	172630	Breaker, leak, Q100	1	000-086-7453-06	\$63.00
506	172631	Filter, noise, AC line, Z100	1	000-137-0733-09	\$77.00
507	72857	Fuse holder, terminal type	2	000-000-4119-04	\$9.00
508	72856	Fuse holder, terminal type	6	000-040-2724-07	\$9.00
509	47075	Fuse, glass tube, 5A, 250V, 3AG, F106, F107	2	000-033-3882-09	\$3.00
510	125707	Fuse, glass tube, 6A, 250V, 3AG, F100-F105	6	000-069-2407-00	\$2.00
511	186521	Filter, ferrite core	1	000-072-2454-03	\$10.00
512	171868	Electromagnetic contractor, K100, K101	2	000-092-5601-03	\$52.00
513	Consult	Terminal block	1	000-135-0067-07	\$11.00
601	Consult	Harness, C10, SW	1	000-135-0402-39	\$25.00
602	Consult	Harness, C4, communication	1	000-133-8322-11	\$115.00
603	Consult	Harness, C2, heater	1	000-133-8324-18	\$35.00
604	Consult	Harness, S4, signal	1	000-133-8325-21	\$48.00
605	Consult	Harness, C3, power AC	1	000-133-8340-27	\$14.00
606	Consult	Harness, C17, signal	1	100-003-2493-00	\$186.00
607	Consult	Harness, C4, noise filter	1	000-134-8924-29	\$9.00
609	Consult	Harness, C4, seal heater	1	000-134-8933-22	\$16.00
610	Consult	Harness, C6, heater	1	000-134-8934-44	\$26.00
612	Consult	Harness, S4, power AC	1	000-134-8990-16	\$11.00
613	Consult	Harness, C3, power AC	1	000-134-8992-13	\$11.00
614	Consult	Harness, C3, power AC	1	000-135-0063-11	\$16.00
615	Consult	Harness, C8, sensor	1	000-135-2532-37	\$29.00
617	Consult	Harness, C4, power AC	1	000-134-8936-32	\$14.00
618	Consult	Harness, C4, power AC	1	000-134-8938-11	\$23.00
619	Consult	Harness, C4, power AC	1	000-134-8937-18	\$27.00
620	Consult	Harness, S16, power AC	1	000-134-8928-23	\$37.00
621	Consult	Harness, C13, power AC	1	000-139-9346-08	\$63.00
622	Consult	Harness, C3, power AC	1	000-134-8977-26	\$55.00
623	Consult	Harness, C4, power AC	1	000-134-8980-46	\$17.00
624	Consult	Harness, C4, power AC	1	100-001-5774-01	\$44.00

Ishida WM-Ai

Wrapping Control Unit, Upper Left Side



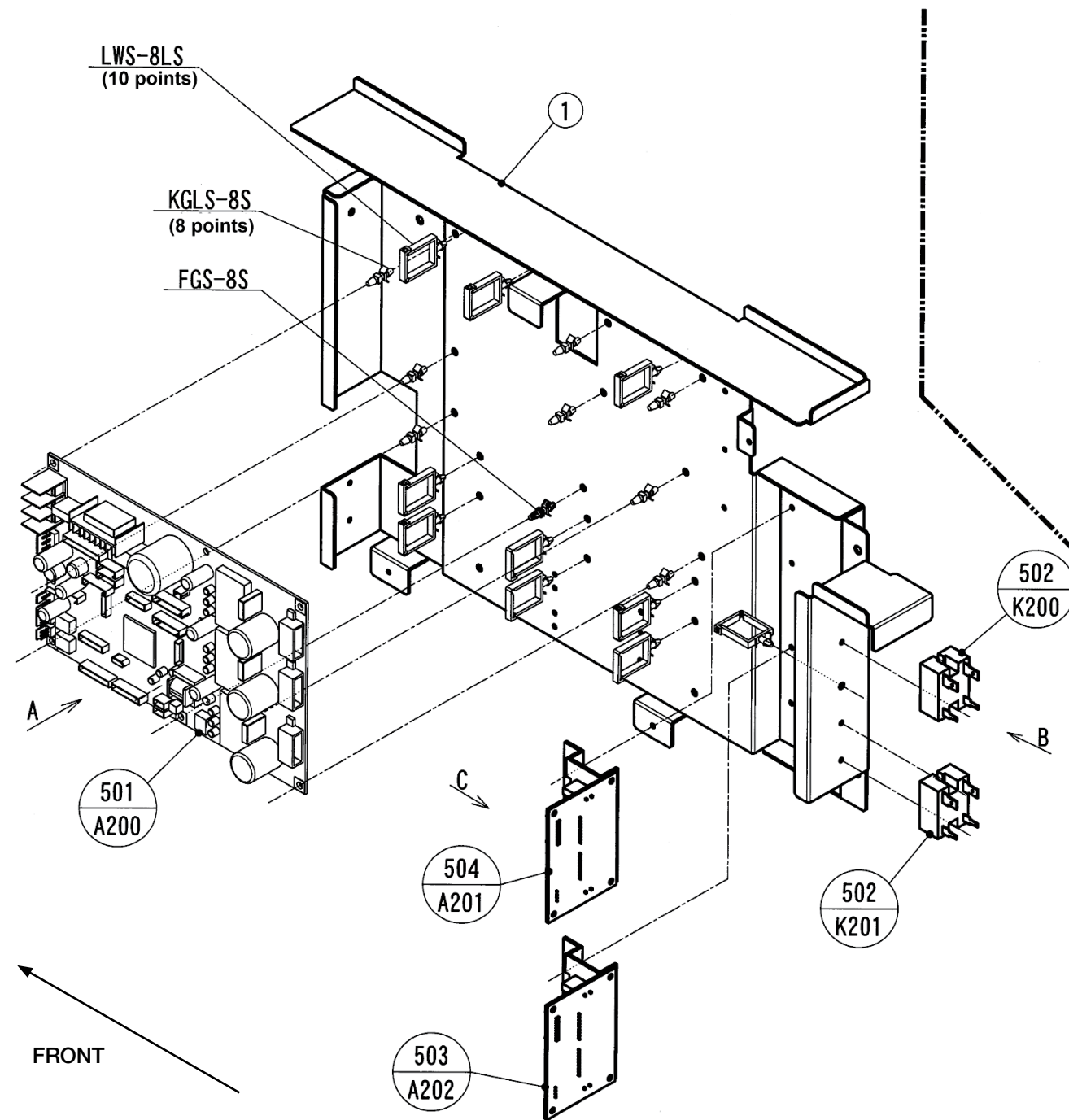
Lift Control Unit, Lower Right Side

Part Number/Price

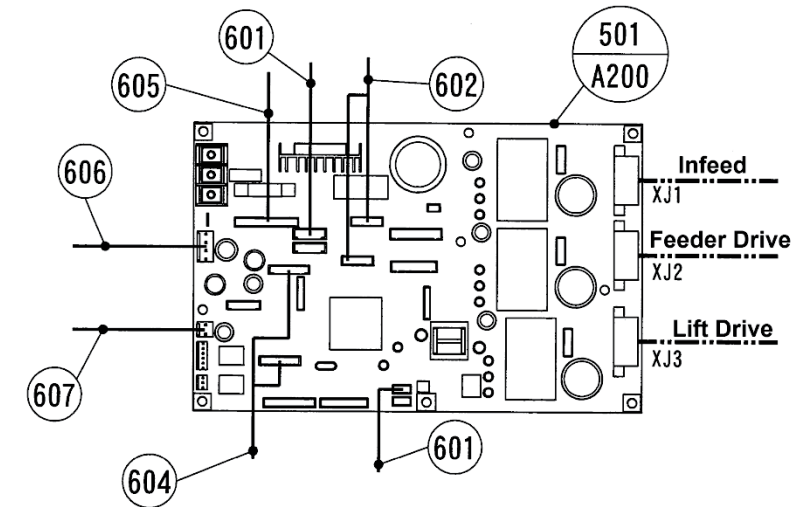
REF #	PART #	DESCRIPTION	QTY	SYNONYM	PRICE
1	Consult	Frame, control, lift R	1	000-135-2863-51	\$141.00
501	171866	PWB P-1105 C-1, infeed, lift, film rear feeder move, A200	1	000-149-6592-16	\$726.00
502	125708	Relay, solid state, K200, K201	2	000-086-7316-09	\$18.00
503	171859	PWB, P-1006, C-5, tray centering, tray press, A202	1	000-139-9340-06	\$170.00
504	171869	PWB, P-1006, C-7, front film, feeder move, A201	1	000-139-9342-03	\$147.00
601	Consult	Harness, C4, communication	1	000-133-8323-23	\$91.00
602	Consult	Harness, S4, signal	1	000-133-8328-21	\$48.00
603	Consult	Harness, C2, tray suppression	1	000-133-8331-23	\$16.00
604	Consult	Harness, C8, heater	1	000-134-8935-48	\$29.00
605	Consult	Harness, C6, sensor	1	000-134-8978-20	\$32.00
606	Consult	Harness, C3, power DC	1	000-134-8985-26	\$22.00
607	Consult	Harness, C4, power DC	1	000-134-8987-23	\$19.00
608	Consult	Harness, C2, power DC	1	000-134-8988-18	\$14.00
609	Consult	Harness, C2, stepping	1	000-137-0934-10	\$18.00

Ishida WM-Ai

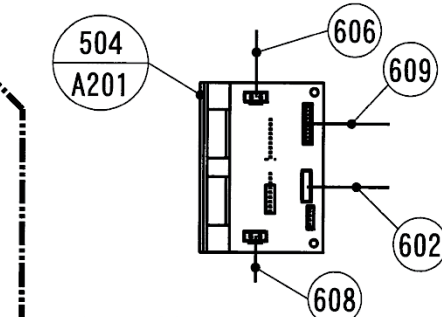
Lift Control Unit, Lower Right Side



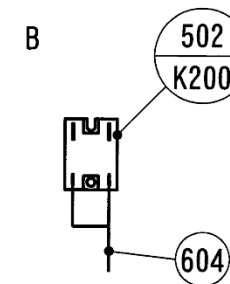
A P-1105C-1



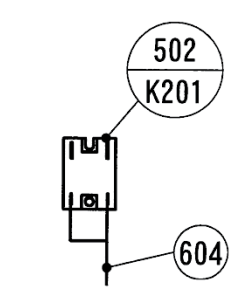
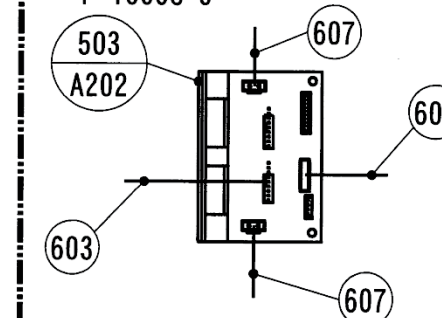
C P-1006C-7



B



P-1006C-5



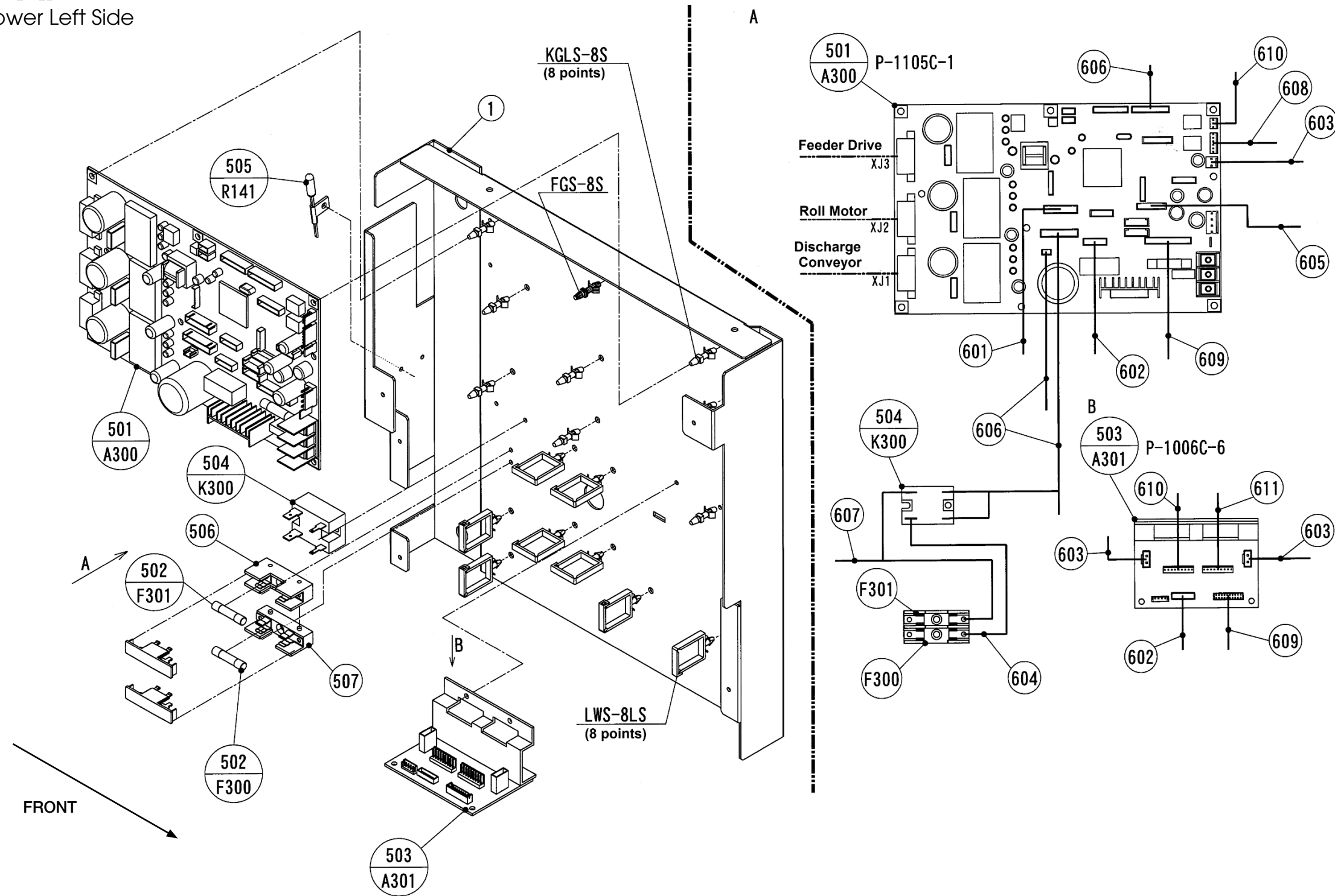
Film Control Unit, Lower Left Side

Part Number/Price

REF #	PART #	DESCRIPTION	QTY	SYNONYM	PRICE
1	Consult	Bracket, control, roll	1	000-135-2621-35	\$71.00
501	171866	PWB, P-1105, C-1, film feeder drive, film roll drive, discharge conveyor, A300	1	000-149-6592-16	\$726.00
502	47075	Fuse, glass tube, 5A, 250V, 3AG, F300,F301	2	000-033-3882-09	\$3.00
503	171860	PWB, P-1006, C-6, film insertion switching, A301	1	000-139-9341-00	\$194.00
504	125708	Relay, solid, state, K300	1	000-086-7316-09	\$18.00
505	172632	Thermistor assy, film heater, right, R141	1	000-111-8426-11	\$25.00
506	72857	Fuse holder, terminal type	1	000-000-4119-04	\$9.00
507	72856	Fuse holder, terminal type	1	000-040-2724-07	\$9.00
601	Consult	Harness, C4, brake lower	1	100-001-4267-01	\$70.00
602	Consult	Harness, C2, signal	1	000-133-8363-22	\$25.00
603	Consult	Harness, C4, power DC	1	000-135-0064-33	\$23.00
604	Consult	Harness, C2, fan heater	1	000-135-0307-29	\$13.00
605	Consult	Harness, C2, fan heater	1	000-135-0308-22	\$10.00
606	Consult	Harness, C17, roll encoder	1	100-001-2949-02	\$66.00
607	Consult	Harness, C3, fan heater	1	000-137-8075-01	\$11.00
608	Consult	Harness, C3, cutter	1	000-133-8329-16	\$18.00
609	Consult	Harness, C8, change sensor	1	000-134-8952-24	\$124.00
610	Consult	Harness, C4, change motor	1	000-134-8953-36	\$94.00
611	Consult	Harness, C2, insert	1	000-135-0128-39	\$20.00

Ishida WM-Ai

Film Control Unit, Lower Left Side



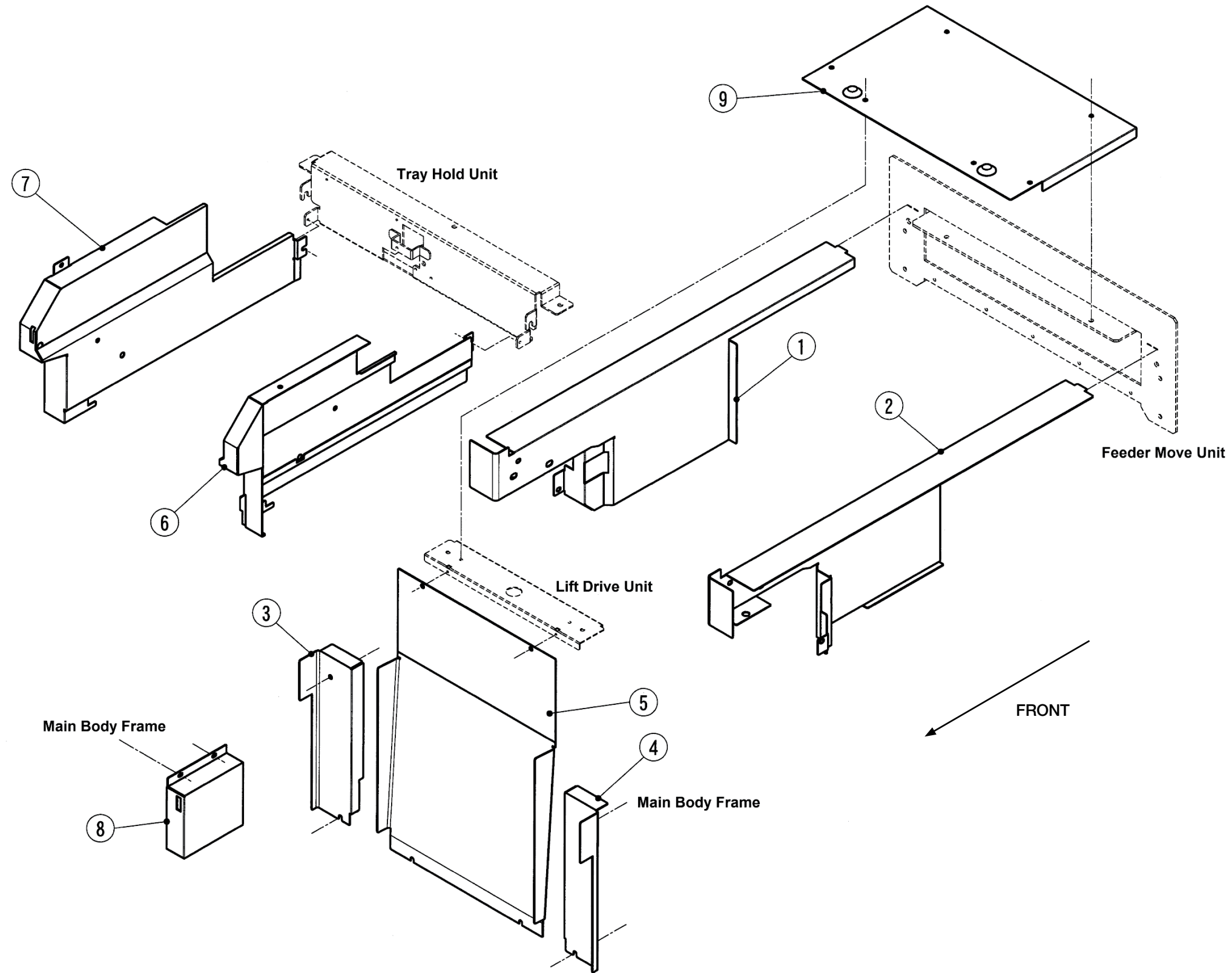
Interior Cover Unit

Part Number/Price

REF #	PART #	DESCRIPTION	QTY	SYNONYM	PRICE
1	Consult	Cover, lift, L	1	000-135-2992-55	\$77.00
2	Consult	Cover, lift, R	1	000-135-2993-59	\$77.00
3	Consult	Cover, lift drive, side	1	000-135-4605-23	\$21.00
4	Consult	Cover, lift drive, side	1	000-135-4606-27	\$21.00
5	Consult	Cover, lift drive, upper	1	000-132-2073-23	\$97.00
6	Consult	Cover, front, packaging R	1	000-139-9298-11	\$118.00
7	Consult	Cover, front, packaging L	1	000-139-9299-15	\$115.00
8	Consult	Cover, key, switch	1	000-134-8959-01	\$24.00
9	Consult	Cover, lift, upper	1	000-108-0065-69	\$59.00

Ishida WM-Ai

Interior Cover Unit



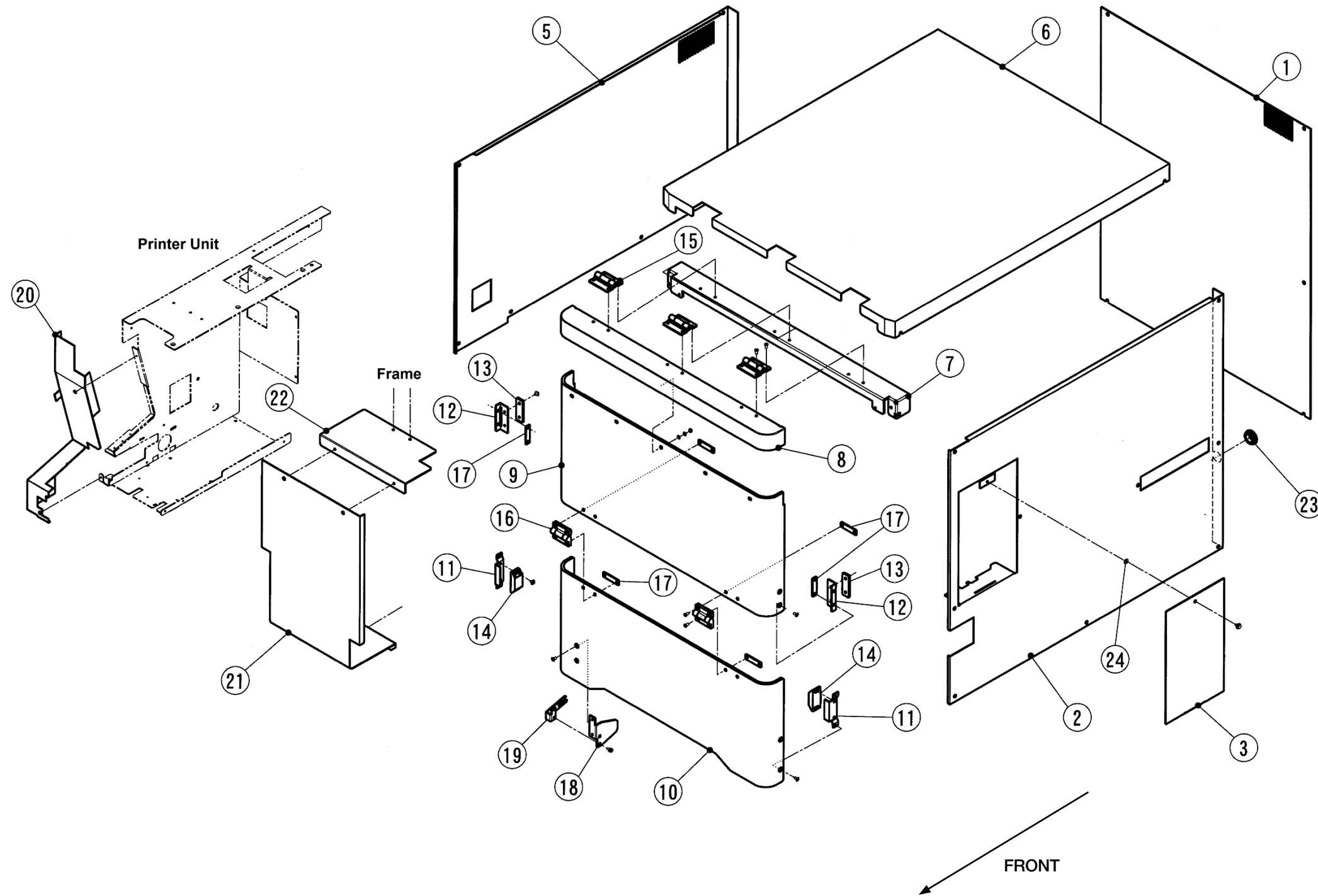
Upper Cover Unit

Part Number/Price

REF #	PART #	DESCRIPTION	QTY	SYNONYM	PRICE
1	189294	Cover, frame, rear	1	000-111-8115-22	\$85.00
2	189295	Cover, console, R	1	000-135-2995-67	\$135.00
3	177706	Cover, connector	1	000-135-2994-16	\$24.00
5	189296	Cover, side, upper	1	000-135-4529-61	\$127.00
6	185533	Cover, frame, upper	1	000-134-8255-59	\$214.00
7	Consult	Stay, hinge	1	000-148-1148-20	\$77.00
8	Consult	Cover, front, upper	1	000-135-2753-33	\$121.00
9	Consult	Door, front, upper	1	000-135-2751-47	\$173.00
10	Consult	Door, front, lower	1	000-135-2752-50	\$153.00
11	Consult	Bracket, magnet, lower	2	000-147-3073-13	\$20.00
12	185473	Bracket, magnet, lower	2	100-001-6572-00	\$22.00
13	185475	Catch, magnet	2	000-151-6257-09	\$19.00
14	Consult	Catch, magnet	2	000-147-3235-01	\$20.00
15	185477	Hinge, adjust	3	000-094-4084-09	\$23.00
16	120606	Hinge, adjust	2	000-070-5323-05	\$42.00
17	185478	Plate A, guide, door	6	000-139-9402-22	\$3.00
18	Consult	Bracket, switch	1	000-139-9401-19	\$17.00
19	188260	Switch, actuator, front	1	000-139-9399-14	\$15.00
20	Consult	Cover, side	1	000-136-3985-51	\$44.00
21	Consult	Cover, printer, R	1	000-135-4997-32	\$112.00
22	Consult	Bracket, cover	1	000-137-0931-19	\$77.00
23	Consult	Grommet, with diaphragm	1	000-000-3972-01	\$2.00
24	186377	Washer, lock, white	1	000-015-0783-09	\$1.00
	186376	White plastic thumb screw M4x10 SST	1	000-000-0387-01	\$1.00
25	Consult	Cover, control, console	1	000-137-0935-22	\$97.00
26	Consult	Cover, control, packaging	1	000-137-8057-40	\$55.00
27	Consult	Cover, protect, packaging	1	000-137-8058-43	\$22.00

Ishida WM-Ai

Upper Cover Unit



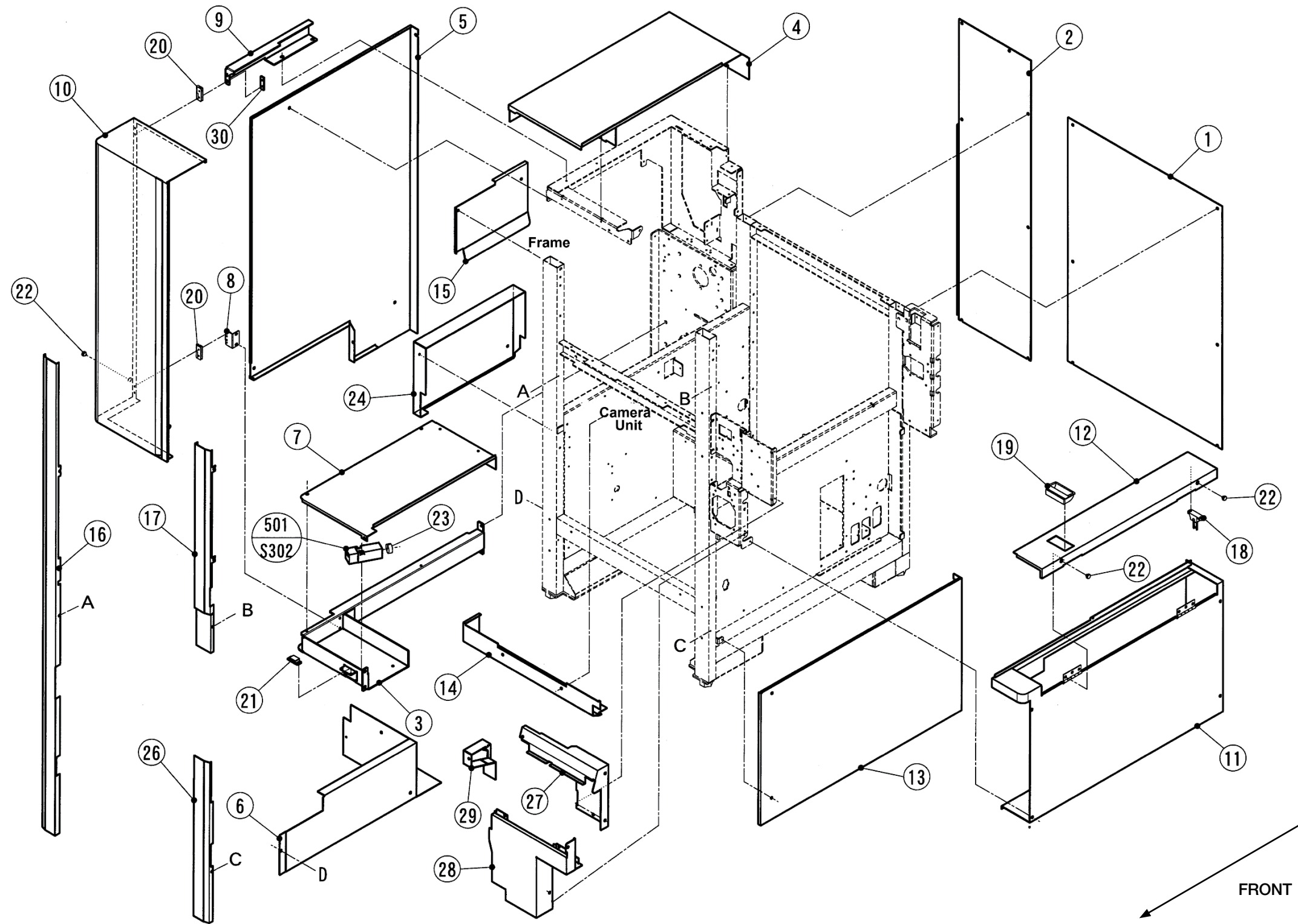
Lower Cover Unit

Part Number/Price

REF #	PART #	DESCRIPTION	QTY	SYNONYM	PRICE
1	Consult	Cover, rear	1	000-111-8118-32	\$91.00
2	Consult	Cover, rear, side	1	000-148-1147-07	\$71.00
3	Consult	Frame, film, lower	1	000-135-4522-55	\$170.00
4	189297	Cover, film side, upper	1	000-135-4513-53	\$170.00
5	174717	Cover, film, side	1	000-135-4503-65	\$220.00
6	189298	Cover, side, lower	1	000-148-1146-02	\$97.00
7	Consult	Cover, film, lower	1	000-135-2887-39	\$59.00
8	Consult	Stay, cover, door	1	000-147-3070-13	\$21.00
9	Consult	Stay, hinge, upper	1	000-148-4452-04	\$37.00
10	179675	WM-Ai: Cover, film, front, lower	1	000-135-4510-63	\$281.00
	181406	WM-Ai-P: Cover, film, front, lower	1	100-007-8464-00	\$525.00
11	189299	Cover, main body, side	1	000-137-8084-52	\$269.00
12	Consult	Door, feeder, drive	1	000-135-2805-52	\$88.00
13	Consult	Cover, side, lower	1	000-135-2684-30	\$115.00
14	Consult	Cover, discharge	1	000-149-6826-07	\$103.00
15	Consult	Cover, heater, safety	1	000-148-1140-13	\$36.00
16	Consult	Cover, main body, front	1	000-135-4696-79	\$81.00
17	Consult	Cover, main body, front	1	000-135-4698-67	\$165.00
18	70125	Switch, actuator, adjustable	1	000-072-2365-05	\$39.00
19	193560	Lug	1	000-073-5832-06	\$4.00
20	181386	Hinge, L	2	000-011-5730-01	\$12.00
21	168080	Catch, magnet	1	000-053-8534-09	\$8.00
22	189111	Rubber pad	3	000-039-8056-01	\$1.00
23	Consult	Cap, harness, switch	1	000-091-0707-09	\$2.00
24	Consult	Cover, control, roll	1	000-135-2620-22	\$63.00
26	Consult	Cover, main body, front	1	000-135-4701-55	\$91.00
27	Consult	Cover, stock, upper	1	000-135-2802-41	\$200.00
28	Consult	Cover, stock, lower	1	000-135-2687-59	\$182.00
29	Consult	Cover, cable	1	000-138-2080-14	\$124.00
30	179676	Plate A, SQ	1	100-001-6585-00	\$7.00
31	Consult	Cover, control, lift	1	000-137-8061-18	\$97.00
501	157866	Switch, safety, film loading door, S302	1	000-111-8428-00	\$77.00

Ishida WM-Ai

Lower Cover Unit



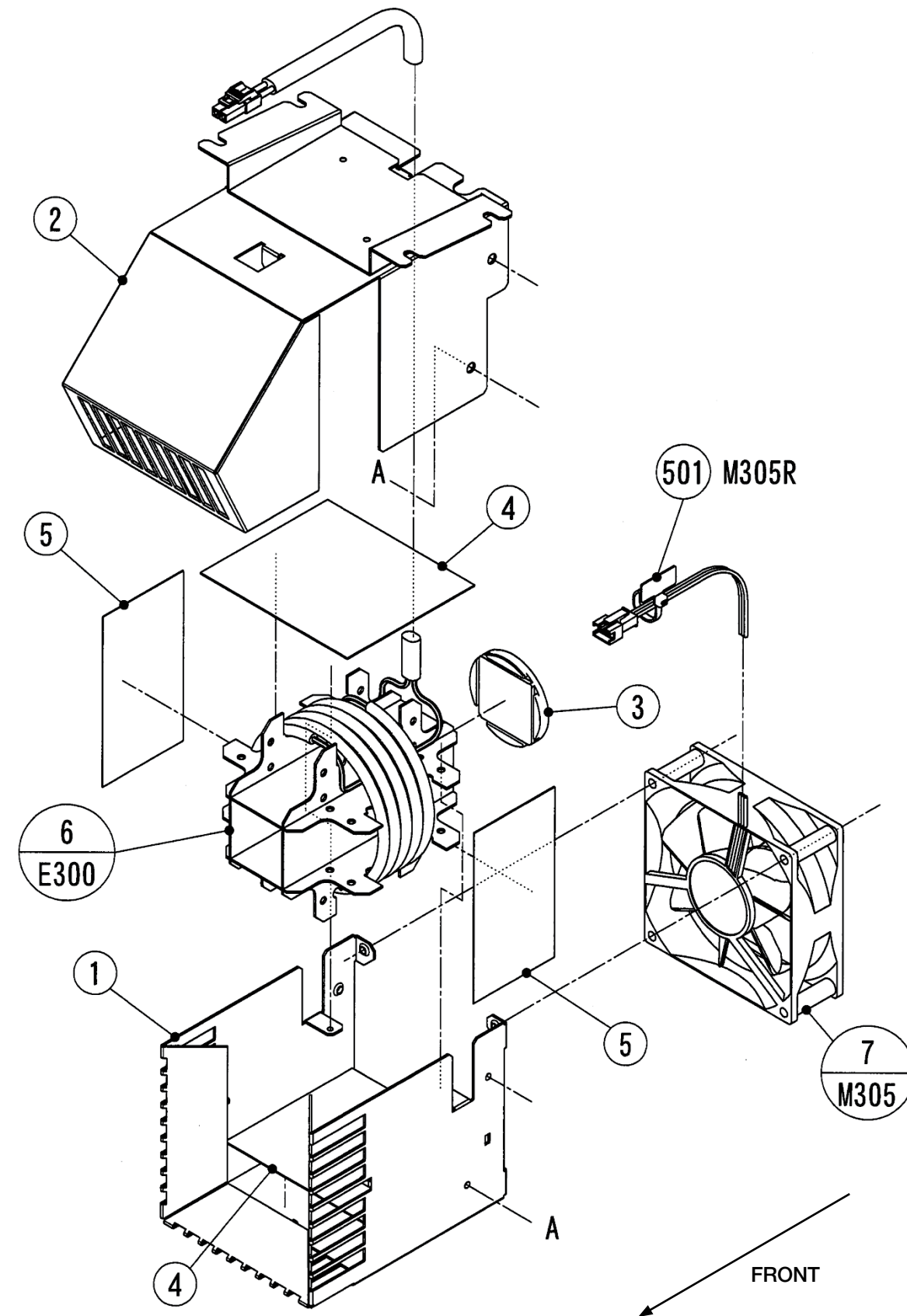
Film Heater Unit

Part Number/Price

REF #	PART #	DESCRIPTION	QTY	SYNONYM	PRICE
1	Consult	Chassis, fan heater	1	000-135-0206-26	\$63.00
2	Consult	Cover, fan heater	1	000-135-0207-58	\$74.00
3	164372	Plate B fan heater	1	000-111-8204-02	\$6.00
4	186811	Plate B, heater	2	000-124-0457-00	\$3.00
5	186812	Plate A, heater	2	000-124-0458-03	\$3.00
6	193539	Heater assy, E300	1	100-002-1354-00	\$150.00
7	193540	Fan film, film heater, left, M305	1	000-086-7320-04	\$70.00
501	Consult	Accessory, band, marking tie	1	000-135-4843-05	\$2.00
ASSY	172633	Fan heater unit, complete assy	1	100-002-3576-00	\$276.00

Ishida WM-Ai

Film Heater Unit



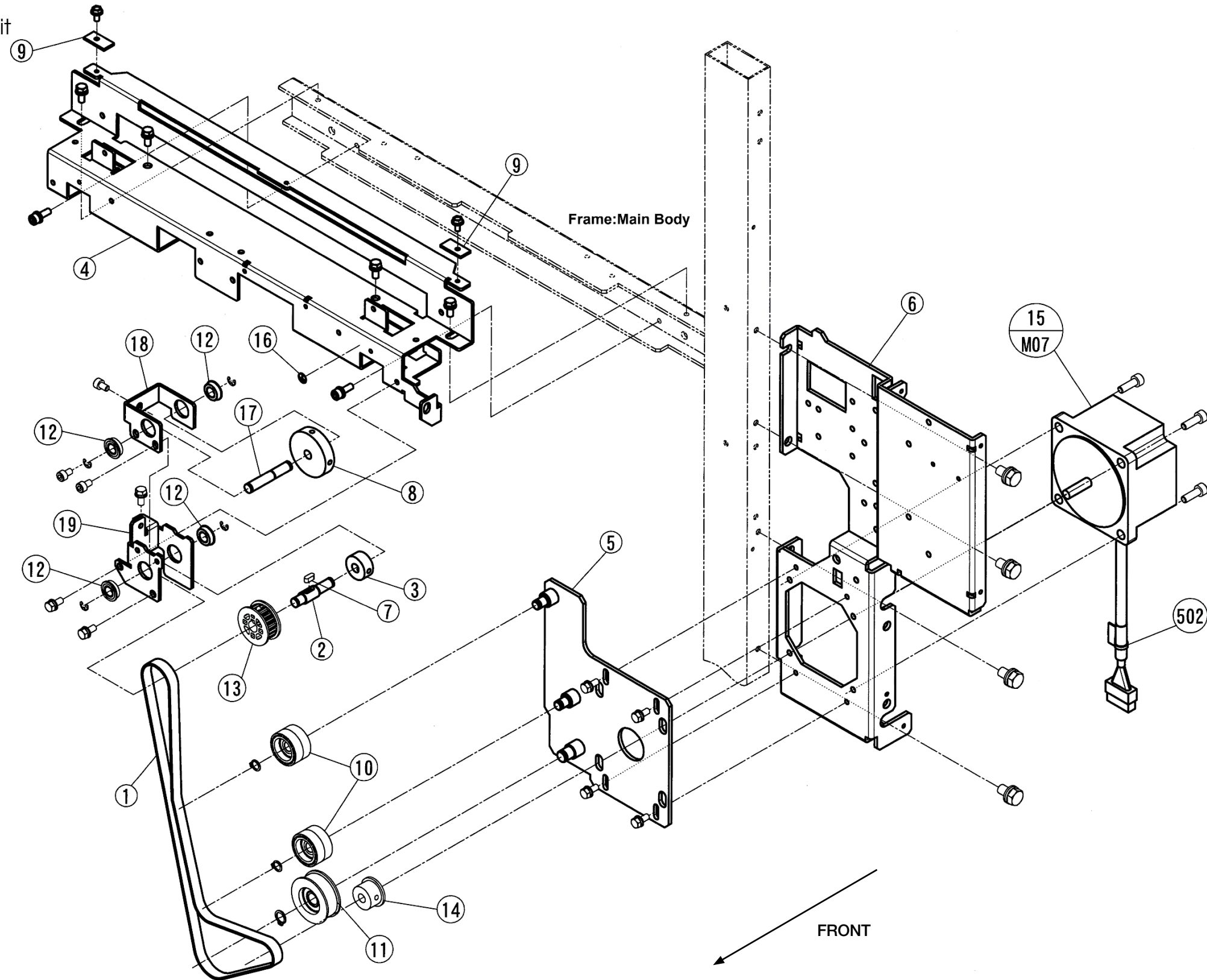
Discharge Conveyor Drive Unit

Part Number/Price

REF #	PART #	DESCRIPTION	QTY	SYNONYM	PRICE
1	172634	Timing belt, S5M	1	000-058-6197-06	\$41.00
2	198240	Shaft, follower, timing	1	000-132-2123-08	\$63.00
3	198241	Gear, flat, follower shaft	1	000-113-7301-01	\$81.00
4	Consult	Frame, conveyor drive	1	000-135-2545-62	\$138.00
5	Consult	Plate B, motor, conveyor	1	000-134-8971-15	\$124.00
6	Consult	Frame, conveyor	1	000-135-0144-49	\$168.00
7	189300	Key parallel, both ends round	1	000-094-2618-00	\$2.00
8	185493	Gear, flat	1	000-091-2277-01	\$55.00
9	Consult	Plate A, interference	2	000-076-1711-06	\$4.00
10	88649	Pulley, tension	2	000-048-3915-03	\$9.00
11	172516	Timing pulley, S5M, AF	1	000-111-8392-00	\$10.00
12	172635	Bearing, radial	4	000-000-3727-05	\$12.00
13	88809	Timing pulley, S5M, AF	1	000-045-3709-01	\$15.00
14	198242	Timing pulley, S5M	1	000-057-0158-01	\$10.75
15	189302	Motor, DC brushless, M07	1	000-135-2942-03	\$281.00
16	Consult	Name plate	1	000-097-8992-16	\$1.00
17	189303	Shaft, follower, upper	1	000-132-2122-22	\$32.00
18	Consult	Bracket, gear	1	000-139-2820-11	\$44.00
19	Consult	Bracket, gear	1	000-139-2823-11	\$52.00
502	Consult	Accessory band, marking tie	1	000-135-2739-03	\$2.00

Ishida WM-Ai

Discharge Conveyor Drive Unit



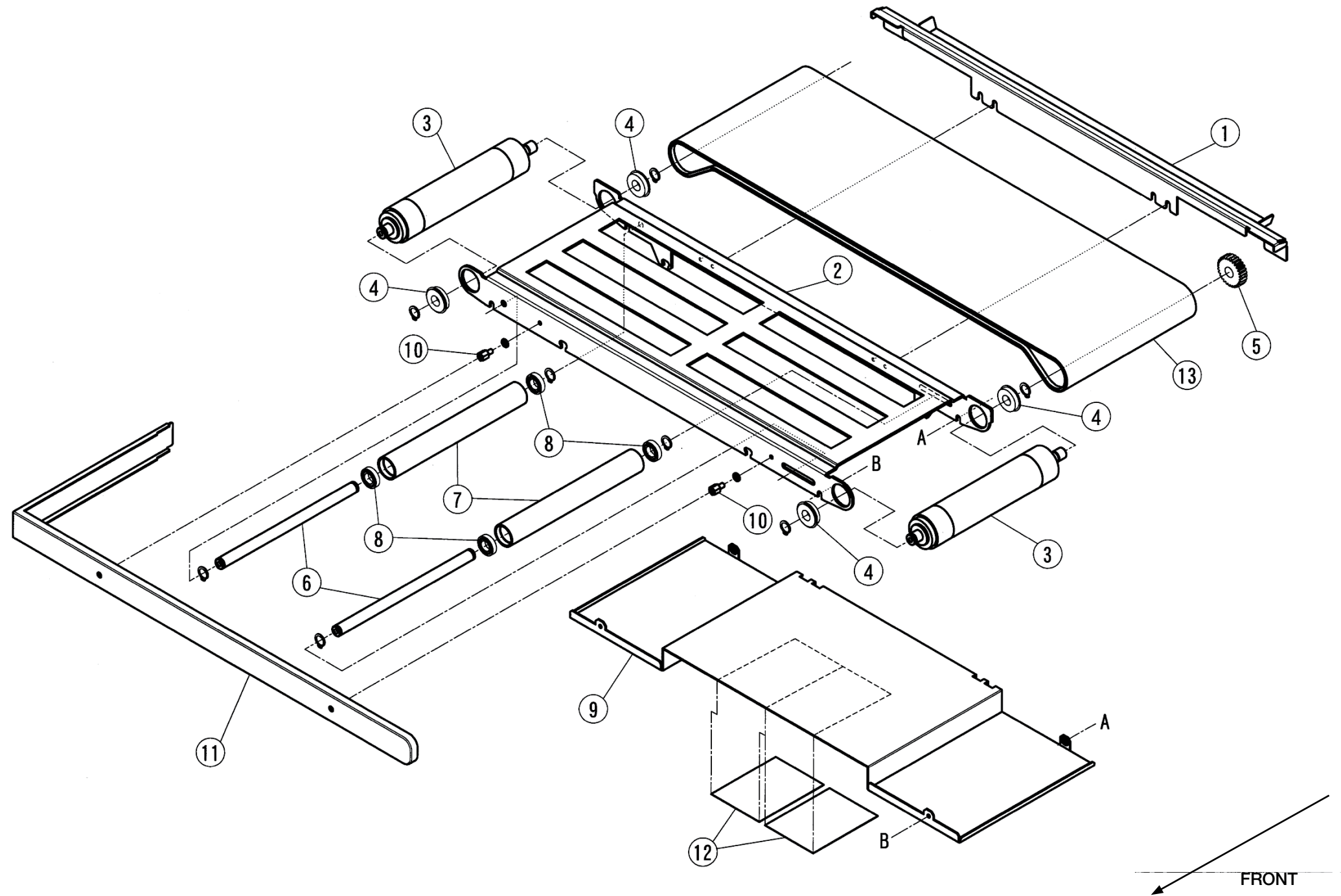
Discharge Conveyor Unit, Right

Part Number/Price

REF #	PART #	DESCRIPTION	QTY	SYNONYM	PRICE
1	Consult	Cover, conveyor, rear	1	000-135-0140-42	\$91.00
2	Consult	Frame, conveyor, upper	1	000-139-9306-09	\$208.00
3	172636	Roller drive	2	000-076-1742-39	\$135.00
4	160748	Bearing, radial, deep groove	4	000-094-2649-05	\$6.00
5	184014	Gear, flat	1	000-138-5683-01	\$38.00
6	198243	Shaft, pulley, tension	2	000-076-1714-16	\$14.00
7	198244	Roller, shaft, tension	2	000-103-3674-16	\$83.00
8	52622	Bearing, radial, deep groove	4	000-003-6982-01	\$29.00
9	Consult	Cover, PWB, camera	1	000-116-1772-21	\$106.00
10	Consult	Threaded rod, HEX, MF	2	100-002-1568-00	\$7.00
11	Consult	Cover, conveyor, front	1	000-131-7491-02	\$121.00
12	Consult	Tape, saxin, single	2	000-066-4285-08	\$6.00
13	172637	Flat belt, finger joint	1	000-123-2392-01	\$250.00
999	189304	Discharge Conveyor Unit, complete assembly	1	000-150-3233-01	\$1,198.00

Ishida WM-Ai

Discharge Conveyor Unit, Right



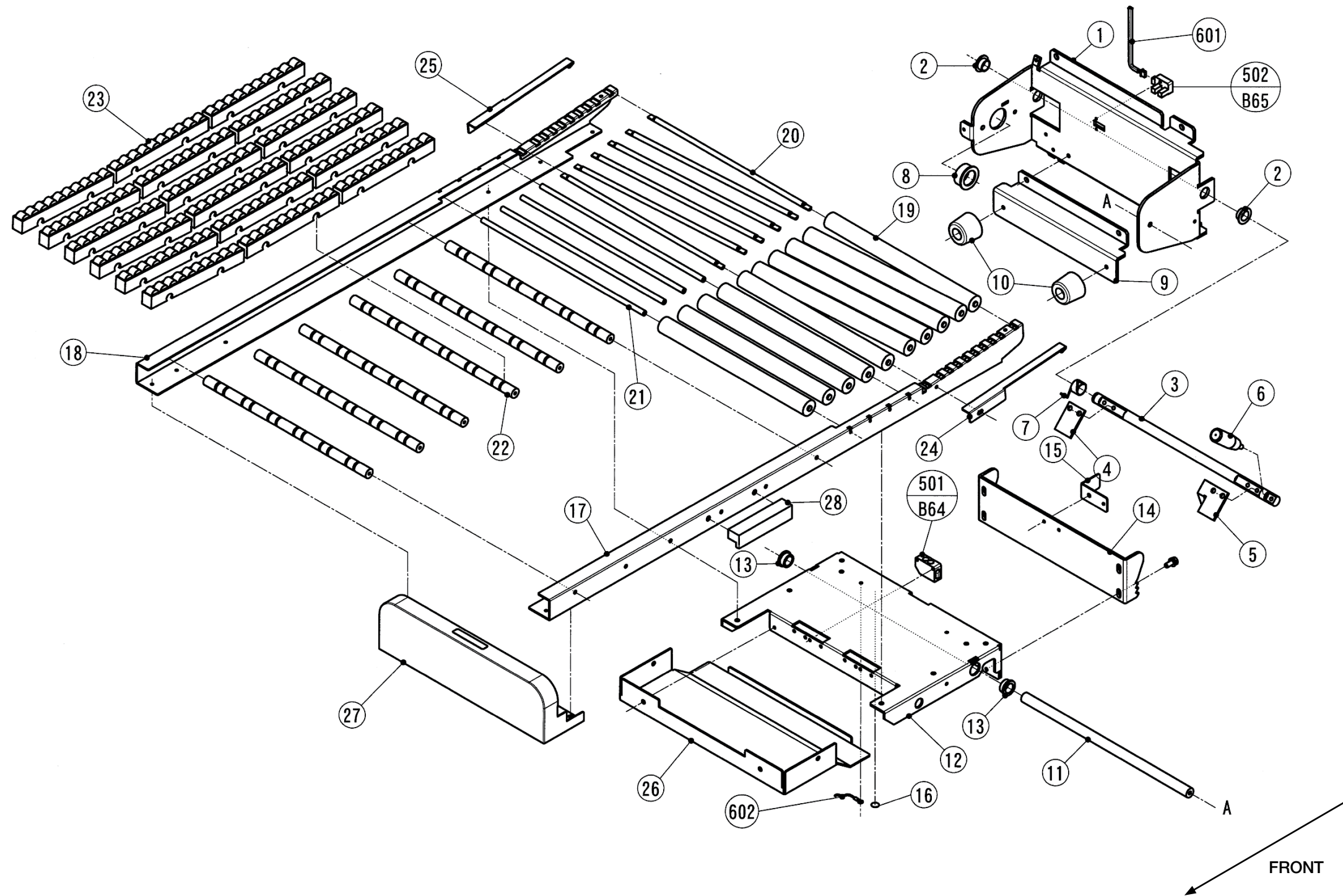
Stock Conveyor Unit

Part Number/Price

REF #	PART #	DESCRIPTION	QTY	SYNONYM	PRICE
1	Consult	Bracket, stock conveyor	1	000-138-2053-31	\$209.00
2	Consult	Bush	2	000-028-1529-03	\$3.00
3	Consult	Shaft, stopper	1	000-113-7408-35	\$127.00
4	Consult	Stopper, A	1	000-113-7319-08	\$19.00
5	Consult	Stopper	1	000-138-2055-01	\$32.00
6	185008	Grip handle	1	100-000-5817-00	\$22.00
7	Consult	Spring, coil	1	000-113-7320-11	\$27.00
8	Consult	Accessory, bush, one touch	1	000-001-9353-05	\$2.00
9	Consult	Stay, stopper, stock	1	000-148-4279-05	\$68.00
10	Consult	Rubber pad	2	000-043-2417-05	\$2.00
11	196973	Shaft, fulcrum	1	000-138-5687-06	\$66.00
12	Consult	Frame, fulcrum	1	000-138-2052-38	\$129.00
13	196974	Bushing, fulcrum frame	2	000-014-9809-07	\$4.00
14	Consult	Stopper	1	000-138-2054-08	\$63.00
15	Consult	Detecting plate	1	000-113-7411-35	\$7.00
16	Consult	Name plate	1	000-097-8992-16	\$1.00
17	Consult	Frame, conveyor	1	000-138-2056-23	\$168.00
18	Consult	Frame, conveyor	1	000-138-2067-24	\$168.00
19	187408	Roller, textured	10	000-037-7887-10	\$44.00
20	187409	Shaft	6	000-138-5664-01	\$33.00
21	187410	Shaft, fixed	4	000-138-5685-09	\$24.00
—	Consult	Screw, M3x5 mm	8		Consult
22	187411	Shaft, stay	6	000-138-5689-03	\$20.00
23	176680	Roller, mini roller	18	000-056-4051-04	\$4.00
24	Consult	Cover, roller, stock	1	000-147-3477-14	\$16.00
25	Consult	Cover, roller, stock	1	000-147-3478-18	\$16.00
26	Consult	Cover, stock	1	000-138-2051-25	\$85.00
27	192217	Stopper, tray	1	000-113-7414-36	\$135.00
28	Consult	Lug	1	000-113-7418-03	\$12.00
501	172638	Sensor assy, conveyor full, B64	1	000-135-0221-04	\$144.00
502	104239	Photo interrupter, transmitter, conveyor up/down, 90 connector, B65	1	000-070-5204-14	\$9.00
601	Consult	Harness, C3, sensor	1	000-135-0142-31	\$70.00
602	Consult	Harness, S2, ground	1	000-138-2231-01	\$11.00

Ishida WM-Ai

Stock Conveyor Unit



B64 - Conveyor full
 B65 - Conveyor up/down position

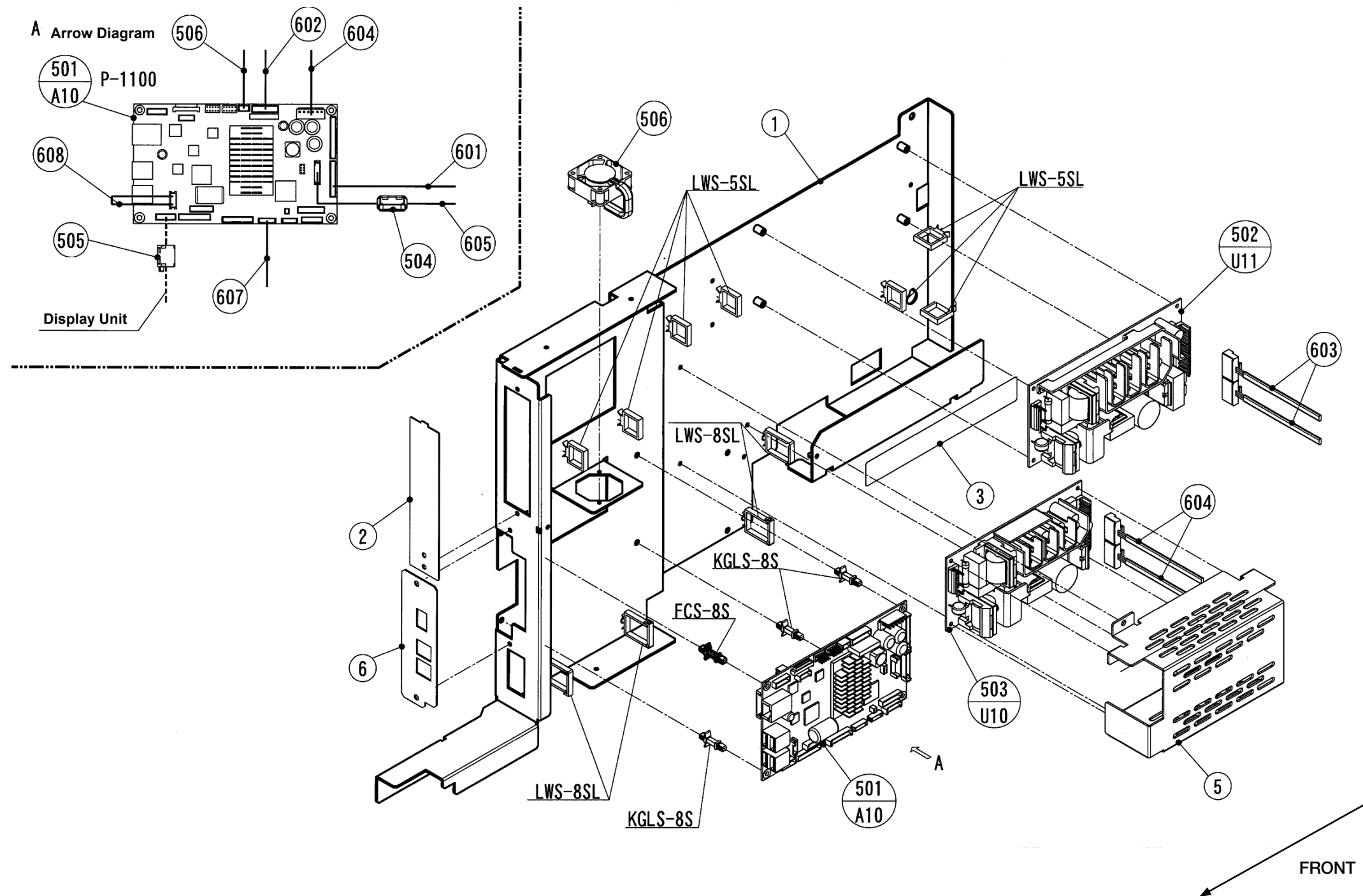
Control Unit

Part Number/Price

REF #	PART #	DESCRIPTION	QTY	SYNONYM	PRICE
1	Consult	Frame, console	1	000-135-2740-46	\$197.00
2	Consult	Cover, connector	1	000-135-2743-19	\$5.00
5	Consult	Chassis, PS	1	000-149-6873-02	\$29.00
6	Consult	Plate B, connector	1	000-135-2742-06	\$22.00
501	158280	PWB, P-1100, A-2, main CPU board, A10	1	100-002-9442-00	\$1,553.00
—	171871	SSHD CF card, J0829E, WM-Ai and IP-Ai	1	100-004-8422-00	\$350.00
502	171861	Power supply, switching, U11, LFP240F-24-J1Y	1	000-148-4467-09	\$179.00
503	171862	Power supply, switching, U11, LFP150F-24-J1Y	1	000-148-4466-05	\$115.00
504	186522	Filter, ferrite core	1	000-096-9524-03	\$9.00
505	186521	Filter, ferrite core	1	000-072-2454-03	\$10.00
506	172639	Fan assy	1	100-000-6996-00	\$97.00
601	196744	Harness, C4, sensor	1	000-147-0895-18	\$68.00
602	196745	Harness, C2, motor	1	000-135-0129-22	\$63.00
603	196746	Harness, C3, power DC	1	100-002-4159-00	\$32.00
604	196747	Harness, C3, power DC	1	000-149-0057-08	\$59.00
605	196748	Harness, C2, scale	1	000-133-8359-27	\$81.00
606	196749	Harness, C7, comm	1	100-006-4242-00	\$121.00
607	196750	Harness, C2, signal	1	000-135-7117-23	\$26.00
608	186520	Harness, S1, jumper	1	000-133-8499-16	\$6.00
Wireless Option					
999	119158	PWB PK-265A, RF wireless card, Wi-Port		000-089-8141-00	\$572.00
999	119159	Antenna		089-5639-06	\$74.00
—	170990	Assy, option, RF WLAN Kit, WM-Ai			\$605.00

Ishida WM-Ai

Control Unit



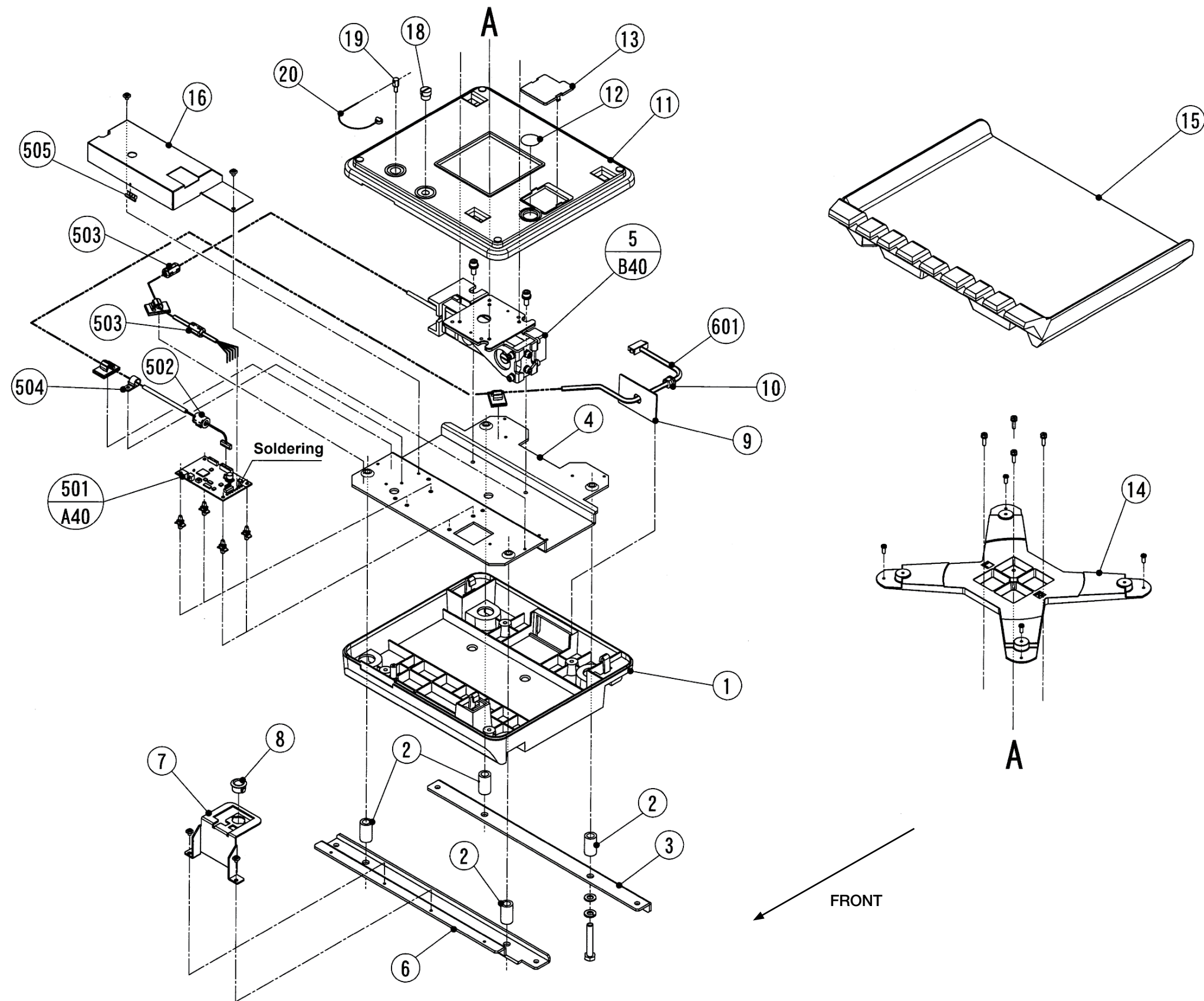
Scale Unit

Part Number/Price

REF #	PART #	DESCRIPTION	QTY	SYNONYM	PRICE
1	Consult	Case, scale, lower	1	000-112-1167-19	\$48.00
2	Consult	Collar	4	000-076-9992-05	\$4.00
3	189307	Supporter, scale	1	000-137-0982-00	\$18.00
4	Consult	Base, weigh	1	000-136-3627-01	\$36.00
5	47030	Load cell assy unit, CLC-25N, B40	1	000-047-3068-01	\$359.00
6	189308	Supporter, scale	1	000-137-0984-07	\$21.00
7	Consult	Bracket, level	1	000-113-7265-01	\$28.00
8	172672	Level assy	1	000-011-2854-08	\$18.00
9	Consult	Plate B, back plate	1	000-138-5906-01	\$2.00
10	Consult	Accessory, bush, cable	1	000-074-7145-05	\$2.00
11	195760	Case, scale upper	1	000-145-9923-07	\$70.00
12	78711	Seal	1	000-046-2413-02	\$2.00
13	Consult	Case, scale, cover	1	000-112-1168-12	\$10.00
14	189309	Platter support	1	000-040-6759-48	\$33.00
15	170292	Weigh platter	1	000-112-6622-06	\$52.00
16	Consult	Cover, scale	1	100-002-1271-00	\$37.00
18	45129	Seal screw, nylon	1	000-001-4678-07	\$2.75
19	47032	Step screw, M4x10 mm sealing	1	000-020-3677-01	\$23.00
20	42735	Sealing with wire	1	000-022-3922-08	\$2.00
501	171879	PWB, P-1111A-2, A/D board, A40	1	100-003-3404-00	\$294.00
502	186522	Filter, ferrite core	1	000-096-9524-03	\$9.00
503	186547	Filter, ferrite	2	000-044-2730-09	\$9.00
504	186534	Accessory, clamp, shield	1	000-135-7195-06	\$4.00
505	189310	Clip, finger	1	000-136-3610-08	\$3.00
601	196743	Harness, C2 scale COM	1	000-135-7037-29	\$77.00

Ishida WM-Ai

Scale Unit



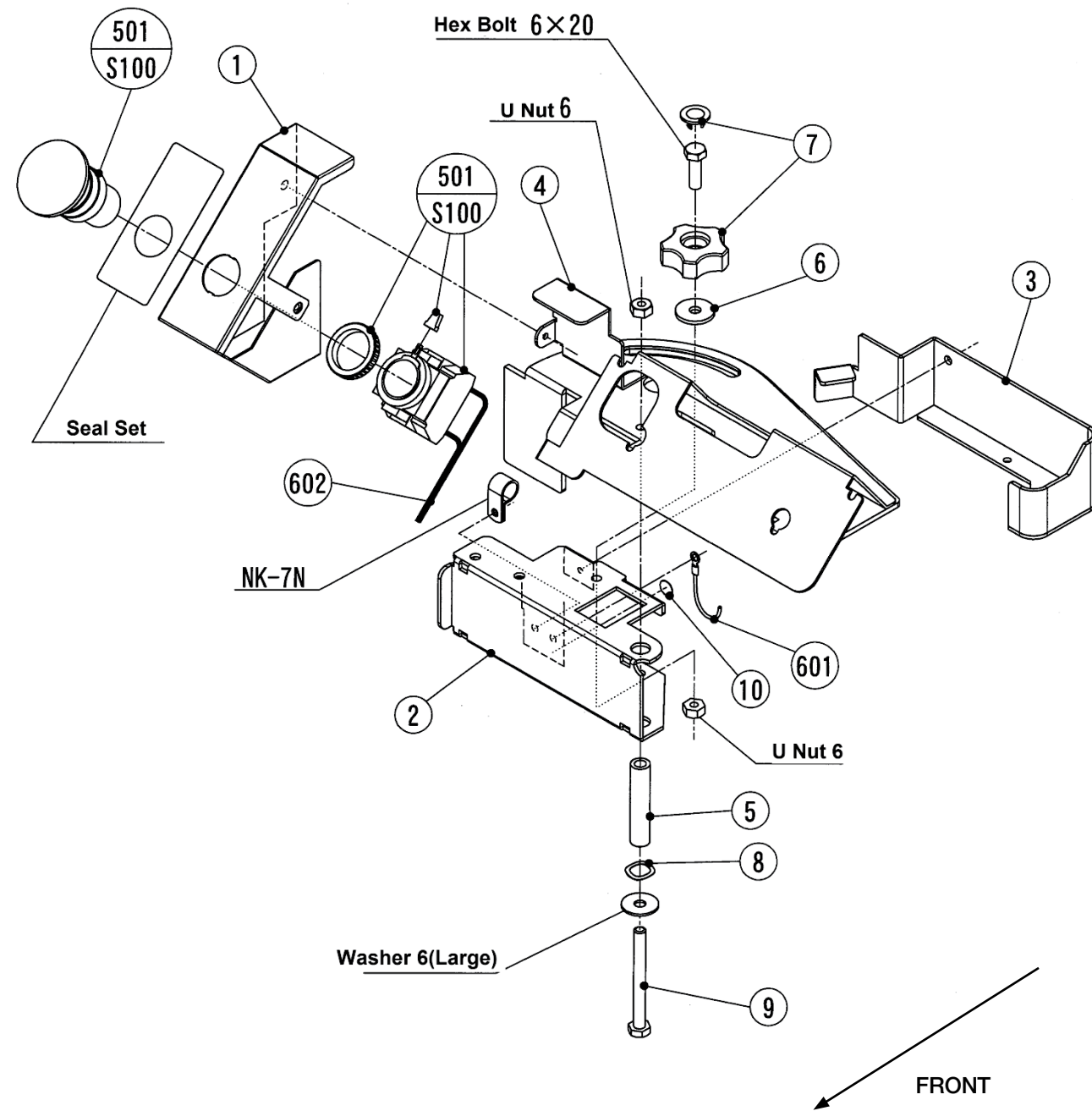
Interface Unit

Part Number/Price

REF #	PART #	DESCRIPTION	QTY	SYNONYM	PRICE
1	Consult	Bracket, switch	1	000-111-8255-30	\$81.00
2	Consult	Bracket, display	1	000-111-8256-42	\$63.00
3	Consult	Cover, harness	1	000-111-8253-41	\$41.00
4	Consult	Bracket, rotation, operation	1	000-137-8047-06	\$91.00
5	Consult	Collar	1	000-111-8252-11	\$22.00
6	Consult	Plate A, round	1	000-069-4614-01	\$3.00
7	47159	Knob, includes nut, M6	1	000-000-1543-00	\$4.00
8	Consult	Wave washer, M10 black oxide	1	000-004-7621-08	\$1.00
9	Consult	Hex bolt, M6x65 mm SST	1	000-002-2240-00	\$1.00
10	Consult	Name plate	1	000-097-8992-16	\$1.00
501	72899	Switch, push, emergency stop, S100	1	000-064-9296-02	\$65.00
601	Consult	Harness, S2, ground	1	000-138-2230-07	\$5.00
602	Consult	Harness, C5, emergency	1	000-135-0216-14	\$10.00

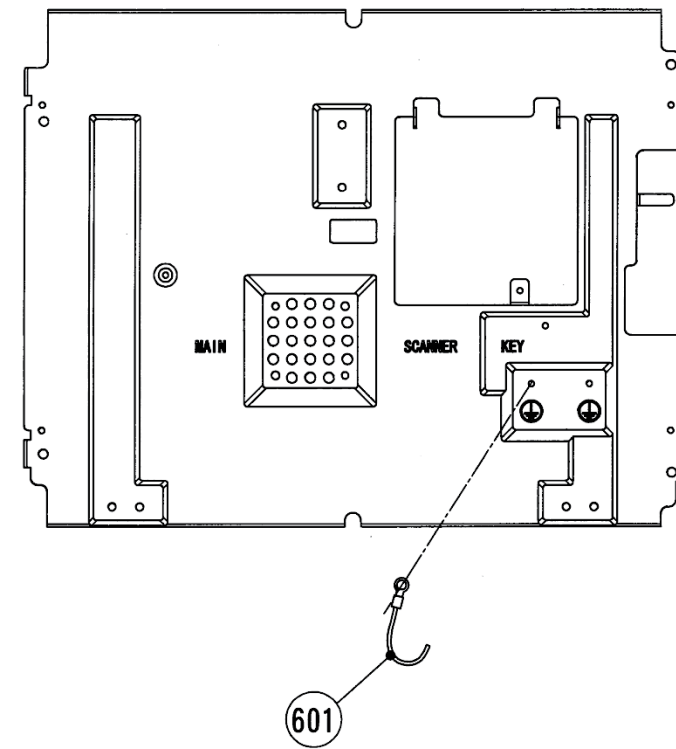
Ishida WM-Ai

Interface Unit



Display Unit

100-000-2465-** Frame:Controller



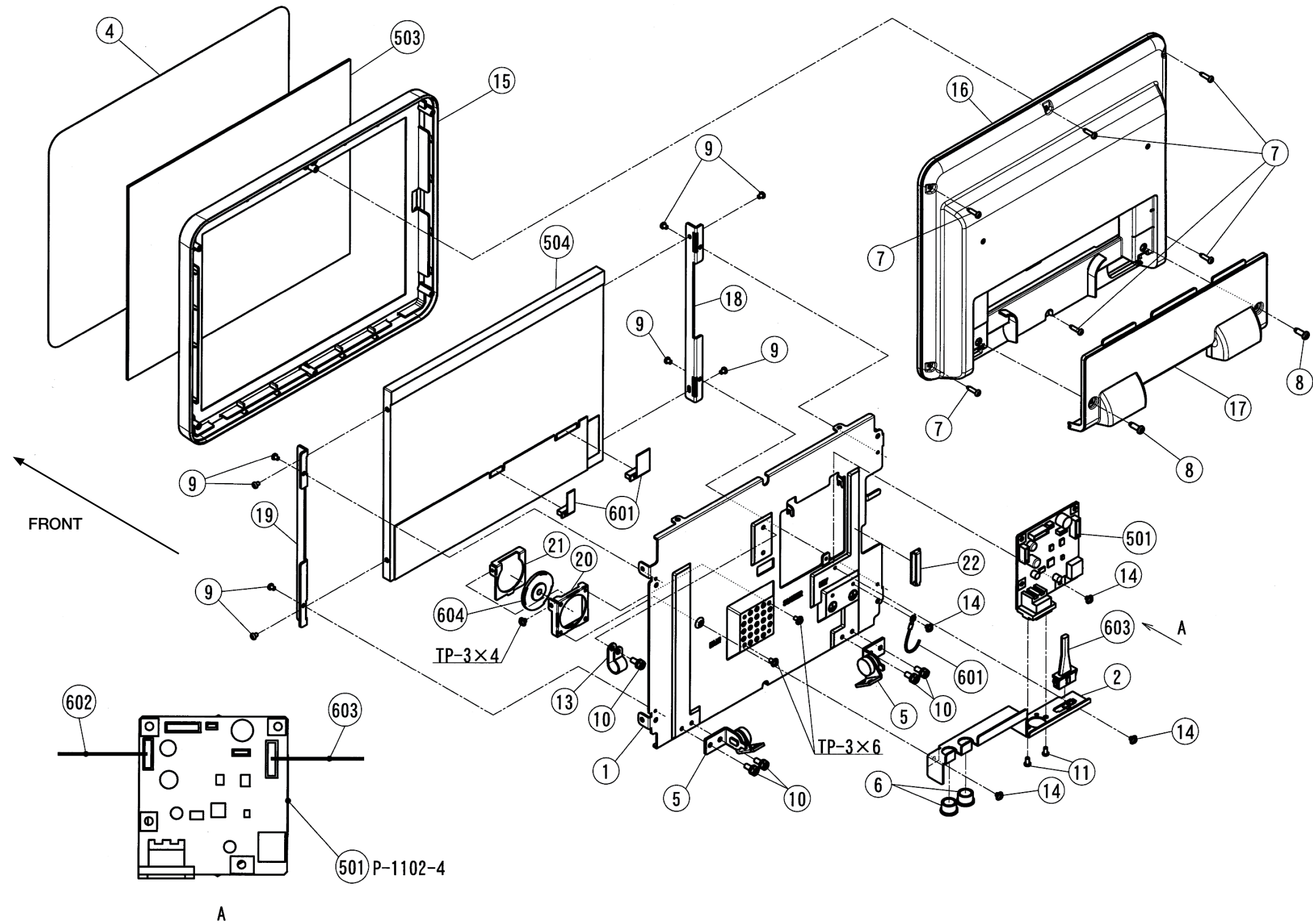
Display Unit

Part Number/Price

REF #	PART #	DESCRIPTION	QTY	SYNONYM	PRICE
1	Consult	Frame, controller	1	100-000-2465-00	\$27.00
2	Consult	Bracket, connector A	1	000-110-7915-33	\$11.00
4	171880	Sheet, display	1	000-135-5531-43	\$33.00
5	Consult	Hinge, torque	2	000-112-9612-00	\$18.00
6	Consult	Accessory, bush, open lock	2	000-013-8915-08	\$2.00
7	189335	Tapping screw, cross pan, M3x12 mm	6	000-072-8766-07	\$1.00
8	189336	Tapping screw, cross pan head, M4x12 mm	2	000-072-8768-04	\$1.00
9	Consult	Screw, cross pan head, M3-0.5x4 mm	8	000-002-1849-03	\$1.00
10	189337	Cross hexagon bolt, M4x10 mm	5	000-000-0338-09	\$1.00
11	48233	Screw, cross pan head, M3x6 pan head SST	2	000-000-0069-07	\$1.25
13	189311	Accessory, clamp, nylon	1	000-003-6921-04	\$1.00
14	116073	TP screw, M3X4	4	000-047-3842-08	\$1.00
15	171881	Case, controller, front	1	000-135-4691-06	\$18.00
16	Consult	Case assy, controller, rear	1	000-135-4692-00	\$27.00
17	Consult	Cover, connector	1	000-135-4693-03	\$14.00
18	189312	Bracket, LCD	1	100-000-2468-00	\$7.00
19	189314	Bracket, LCD	1	100-000-2467-00	\$7.00
20	Consult	Case, speaker	1	000-143-0566-12	\$9.00
21	Consult	Cover, speaker	1	000-143-0565-19	\$7.00
22	186529	Accessory, clamp, flat cable	1	000-150-3050-07	\$2.00
501	171882	PWB P-1102-4, display control board	1	100-003-3188-00	\$168.00
503	171883	Touch panel, analog	1	000-135-4851-14	\$203.00
504	158278	Display, LCD, TFT	1	000-135-4850-11	\$495.00
601	189315	Harness, C5, LCD	1	000-135-0398-37	\$132.00
602	189316	Harness, C4, communication	1	000-135-7116-39	\$68.00
603	189317	Harness, C2, numeric key JCT	1	000-135-0213-13	\$55.00
604	172673	Speaker assy	1	000-140-7074-11	\$74.00
ASSY	172674	Display, complete assy	1	100-002-3696-00	\$1,066.00

Ishida WM-Ai

Display Unit



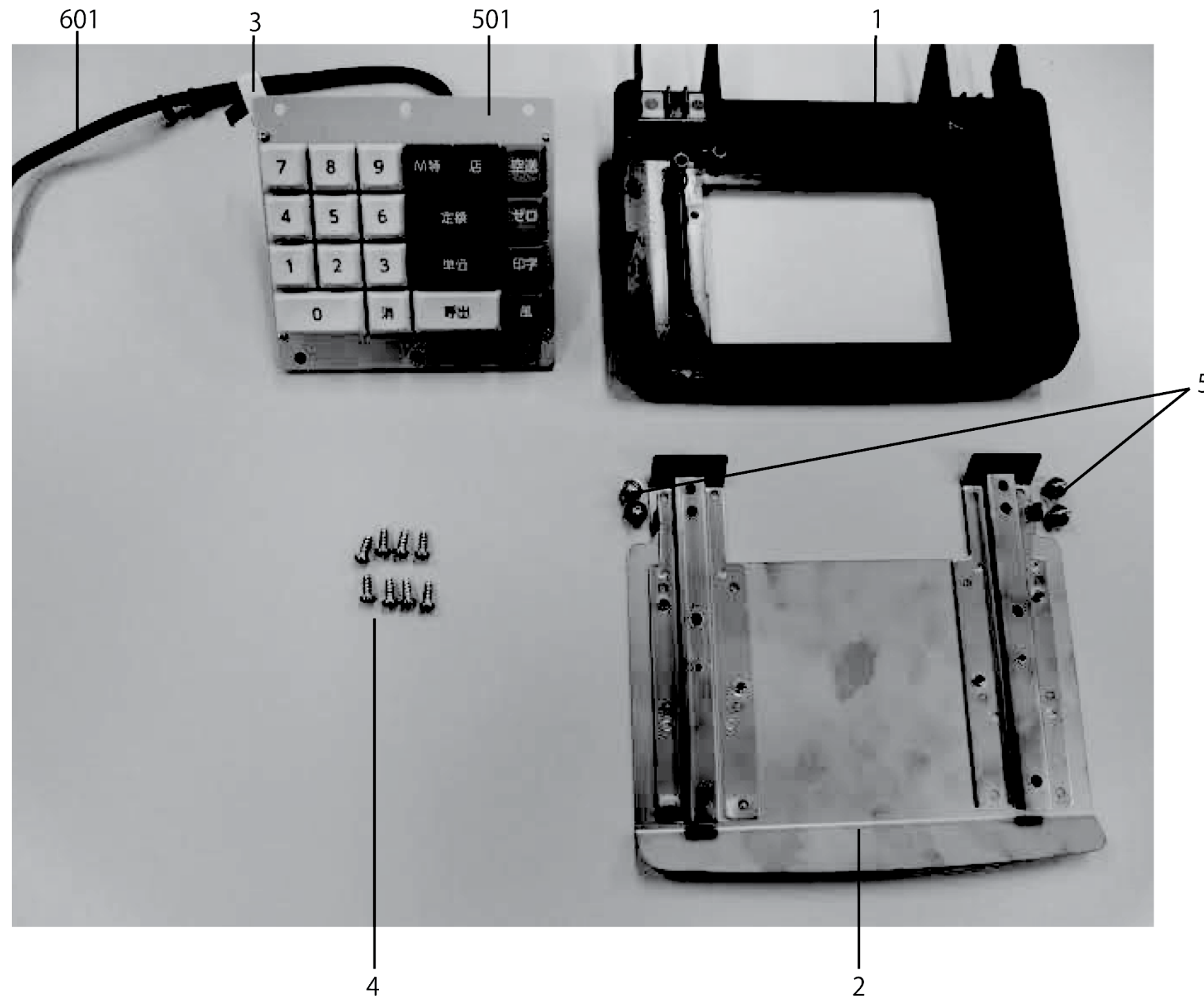
Key Unit

Part Number/Price

REF #	PART #	DESCRIPTION	QTY	SYNONYM	PRICE
1	Consult	Case, key, front	1	000-135-4688-04	\$16.00
2	Consult	Key rear assy	1	000-072-8744-32	\$32.00
3	Consult	Accessory, clamp, code sticker	1	000-002-5711-08	\$1.00
4	189338	Tapping screw, plus pan, P tight, M4x10 mm	8	000-072-8767-01	\$1.00
5	Consult	Cross hex, set screw, S2P2, M4x10 mm SST	4	000-014-3997-02	\$1.00
501	171884	Keyboard unit	1	100-001-2013-00	\$168.00
601	189318	Harness, C2, ten key	1	100-002-3216-00	\$11.00
999	98400	Cover, 10-key, clear, adhesive	1	000-092-8430-13	\$50.00

Ishida WM-Ai

Key Unit



Applicator Unit - POP

Part Number/Price

REF #	PART #	DESCRIPTION	QTY	SYNONYM	PRICE
1	Consult	Frame, applicator	1	100-010-7118-00	\$372.00
2	Consult	Shaft, linear	2	000-106-6899-29	\$55.00
3	172606	Housing, linear:X	1	000-135-7086-03	\$18.00
4	157900	Bearing, linear bush	3	000-069-4929-04	\$23.00
5	Consult	Holder, belt	1	000-136-3545-09	\$2.00
6	178201	Timing belt, XL	1	000-116-1996-19	\$14.00
7	Consult	Timing pulley, XL, AF	1	000-109-8408-13	\$12.00
8	172607	Pulley, tension	2	000-111-8488-03	\$10.00
9	Consult	Shaft, bearing	2	000-108-0297-39	\$6.00
10	172573	Motor assy stepping X, M400	1	000-138-2122-08	\$68.00
11	Consult	Housing, linear	1	000-051-1076-00	\$23.00
12	Consult	Bracket, applicator	1	100-010-9478-00	\$88.00
13	Consult	Bracket, applicator	1	100-010-9480-01	\$129.00
14	Consult	Bracket, rotation, lower	1	000-136-3558-07	\$28.00
15	Consult	Bracket, rotation, upper	1	100-011-1266-00	\$81.00
16	193542	Shaft, slide, Z2	1	000-116-1714-15	\$41.00
17	193543	Block B, slide, Z	1	000-112-6559-04	\$6.00
18	178202	Timing belt, S3M	1	000-140-7383-02	\$41.00
19	Consult	Timing pulley, S3M, BF	1	000-140-7383-02	\$70.00
20	125715	Motor assy stepping, Z, M401	1	000-111-8337-04	\$85.00
21	Consult	Holder, belt, S3M	1	000-141-6390-02	\$8.00
22	172614	Timing belt, XL	1	000-020-0970-01	\$9.00
23	195586	Timing pulley, XL	1	000-059-8460-10	\$19.00
24	Consult	Timing pulley, XL	1	000-059-8296-42	\$30.00
25	Consult	Detecting plate, rotation, upper	1	100-003-3444-00	\$31.00
26	Consult	Detect plate, rotation, lower	1	000-136-3548-00	\$3.00
27	178203	Bearing Unit, linear rotation	1	000-116-1707-19	\$759.00
28	172616	Bearing, radial, deep groove	2	000-057-0387-08	\$31.00
29	172617	Motor assy stepping, rotation, M402	1	000-138-2124-05	\$59.00
30	Consult	Bracket, arm	1	000-122-1605-13	\$215.00
31	Consult	Shaft, fulcrum, suction	1	000-122-1606-16	\$36.00
32	78083	Bush	2	000-037-4818-02	\$3.00
33	Consult	Bracket, fan	1	100-009-5899-01	\$63.00
34	Consult	Catch, magnet	1	000-112-6892-05	\$23.00
35	Consult	Spring, plate, applicator	1	100-011-0990-00	\$27.00
36	Consult	Spacer, suction	1	100-011-0983-01	\$29.00
37	Consult	Block B, suction, upper	1	000-122-1995-06	\$115.00
38	Consult	Bracket, suction, slider	1	100-011-0733-01	\$55.00
39	Consult	Threaded rod, round, FF	2	000-108-0376-11	\$6.00
40	172618	Spring, coil, compressive	2	000-108-0374-14	\$2.00
41	Consult	Block B, suction, slide	1	000-122-1996-00	\$115.00
42	Consult	Detect plate, suction	1	000-122-1610-11	\$94.00
43	Consult	Bracket, sensor	1	100-007-8595-01	\$41.00
44	178204	Block B, suction, under	1	100-011-0955-01	\$129.00
45	Consult	Cover, harness	1	100-011-0982-01	\$48.00
46	Consult	Tapping screw, cross pan head, M3x40 mm SS chrome	4	000-125-5199-04	\$5.00
501	171859	PWB P-1006C-5, rotation (O-axis), A401	1	000-139-9340-06	\$170.00
502	171860	PWB P-1006C-6, X-axis, Z-axis, A402	1	000-139-9341-00	\$194.00
503	178184	Power supply, switching, LFP150-24-GJ1Y, U400, U401	2	100-010-4289-00	\$197.00
504	171868	Electromagnetic contactor, K400	1	000-092-5601-03	\$52.00
505	72857	Fuse holder, terminal type	1	000-000-4119-04	\$9.00
506	72856	Fuser holder, terminal type	3	000-040-2724-07	\$9.00
507	125707	Fuse, glass tube, 6A, 250V, 3AG	4	000-069-2407-00	\$2.00
508	Consult	Fan assy PS	1	000-111-8425-09	\$59.00
509	104239	Photo interruptor, transmitter, 90 connector, B401-B403, B406-B407	1	000-070-5204-14	\$9.00
510	171837	Photo interruptor, trans, straight connector, B404	1	000-132-6468-07	\$18.00

Note: X-axis - right/left, Z-axis - up/down

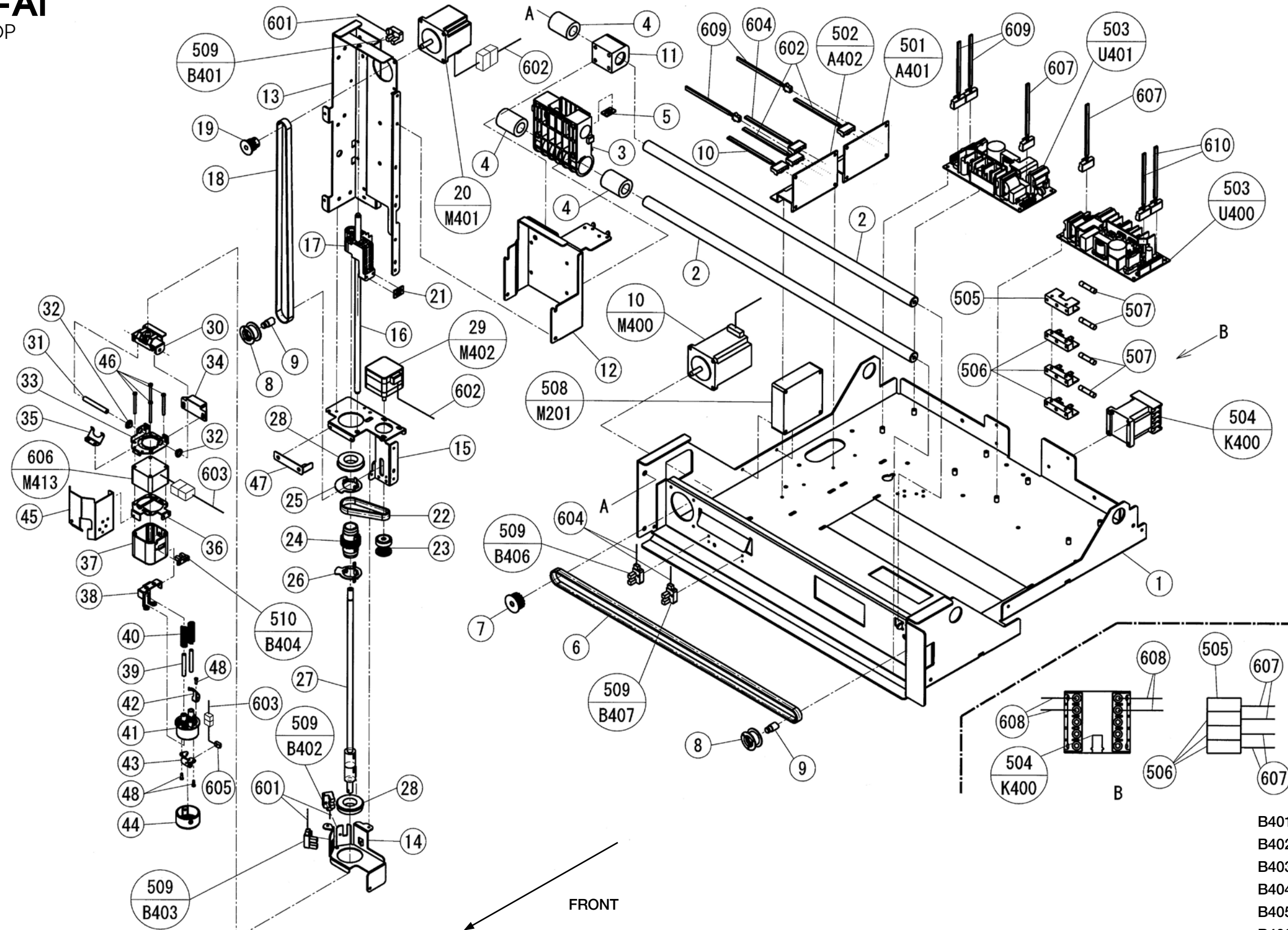
Applicator Unit - POP

Part Number/Price

REF #	PART #	DESCRIPTION	QTY	SYNONYM	PRICE
601	178211	Harness, C6	1	100-007-7776-00	\$186.00
602	178212	Harness, C4	1	100-011-0957-00	\$141.00
603	178213	Harness, C3 coiled cable to B405 and M413	1	100-011-1342-01	\$194.00
604	Consult	Harness, C3	1	100-007-7835-00	\$63.00
605	178214	Sensor assy suction, 4-pin, B405	1	100-007-7769-01	\$91.00
606	178215	Fan assy, M413, 5-pin	1	100-007-9342-01	\$94.00
607	Consult	Harness, C6, power supply AC	1	100-007-7772-00	\$48.00
608	Consult	Harness, C10, MC	1	100-011-0876-00	\$68.00
609	Consult	Harness, C4, power DC	1	100-011-1261-00	\$48.00
610	Consult	Harness, C3, power DC	1	100-007-7771-00	\$74.00

Ishida WM-Ai

Applicator Unit - POP



- B401 - Z-axis home position
- B402 - Rotation position, upper flag
- B403 - Rotation position, lower flag
- B404 - Tray contact detector
- B405 - Label present detector
- B406 - X-axis label pickup position
- B407 - X-axis home position

Printer Unit - POP

Part Number/Price

REF #	PART #	DESCRIPTION	QTY	SYNONYM	PRICE
1	Consult	Shaft, step	1	100-012-0773-00	\$44.00
2	157891	Roller, label, hold assy	6	000-079-8591-03	\$2.00
3	178216	Frame	1	100-011-0226-01	\$59.00
4	157916	Collar	4	000-091-8682-18	\$4.00
5	157917	Collar	7	000-077-4891-21	\$4.00
6	187432	Shaft, stock	1	000-136-3566-07	\$7.00
7	Consult	Bracket, sensor, peel R	1	000-116-1722-24	\$13.00
8	Consult	Bracket, sensor, peel L	1	000-116-1723-37	\$17.00
9	187433	Shaft, roller	2	000-044-3821-17	\$7.00
10	110525	Roller	1	000-060-8956-04	\$32.00
11	195783	Plate A, holder	1	000-136-3565-03	\$5.00
12	195782	Bracket, assist	2	000-078-0818-01	\$3.00
13	187438	Collar, spacer	4	000-059-4384-06	\$1.00
14	187439	Spring, coil, compressive	4	000-086-7397-10	\$1.00
15	Consult	Shaft, assist	1	000-136-3567-01	\$77.00
16	Consult	Bracket, assist, upper	1	100-012-2455-00	\$52.00
17	Consult	Spring, coil, twisted	1	100-008-3581-00	\$36.00
18	187446	Spring, coil, compressive	4	000-072-5278-14	\$4.00
19	187447	Roller, assist	1	000-069-4967-06	\$17.00
20	Consult	Shaft, label, back paper	1	100-007-9604-00	\$37.00
21	Consult	Guide, label	1	100-007-8412-00	\$59.00
22	Consult	Gear, flat	1	000-076-1780-03	\$7.00
23	172640	Motor assy stepping, M410	1	000-111-5669-19	\$74.00
24	Consult	Bracket, motor	1	100-009-1732-00	\$36.00
25	178217	Motor assy reel, M411	1	000-072-5467-22	\$91.00
26	153086	Gear, flat	1	000-047-0630-04	\$7.00
27	Consult	Bracket, motor, DC	1	100-009-1726-00	\$28.00
28	Consult	Bracket, press, label	1	000-116-1721-49	\$16.00
29	Consult	Bracket, PR roller, L	1	100-012-0496-00	\$200.00
30	187457	Timing pulley, S3M, C	2	000-073-7220-04	\$21.00
31	125887	Timing belt, CP-S3M	1	000-139-2517-02	\$10.00
32	178218	Roller, print	2	000-116-1736-26	\$75.00
33	Consult	Frame, print	1	000-116-1716-31	\$20.00
34	178219	Shaft assy peeling	1	100-012-2633-00	\$103.00
35	187459	Shaft, idler	1	000-078-0831-10	\$7.00
36	Consult	Bracket, platen, R	1	000-116-1728-35	\$77.00
37	187460	Shaft, stock	1	000-070-9862-47	\$8.00
38	Consult	Gear, flat	1	000-112-6672-02	\$8.00
39	93355	Bush	4	000-064-0201-24	\$4.00
40	187462	Bush	1	000-075-1324-01	\$4.00
41	187463	Bush	1	000-075-1325-04	\$4.00
42	187477	Bush	1	000-075-1321-00	\$4.00
43	172643	Bearing, radial	2	000-065-6920-00	\$3.00
44	Consult	Frame, printer, POP	1	100-011-0477-01	\$350.00
45	178220	Winding unit assy	1	100-011-7204-00	\$88.00
46	Consult	Spring, coil, compressive	1	000-116-1745-11	\$25.00
47	Consult	Hinge	1	000-013-9941-09	\$23.00
—	Consult	Screw, counter sink, M3x8	6		Consult
48	Consult	Bracket assy printer	1	100-009-1602-00	\$132.00
49	Consult	Bracket, printer, thermal	1	000-116-1730-24	\$83.00
50	187464	L plate A, spring, support	1	000-078-0994-04	\$3.00
51	187465	Stay, head, thermal	1	000-078-0993-29	\$3.00
52	187466	Plate B, press, head	1	000-078-0992-16	\$5.00
53	Consult	Bracket, sensor, head up	1	000-116-1733-34	\$16.00
54	Consult	Frame, printer, platform	1	100-010-7129-01	\$311.00
55	198653	Bracket, label, sensor	1	100-011-1527-01	\$100.00
56	198654	Cover, label, sensor	1	100-009-1724-00	\$8.00

Printer Unit - POP

Part Number/Price

REF #	PART #	DESCRIPTION	QTY	SYNONYM	PRICE
57	Consult	Cover, head	1	000-116-1739-45	\$80.00
58	Consult	Catch, magnet	1	000-088-8332-07	\$37.00
59	Consult	Gasket	1	000-065-1825-01	\$3.00
60	172667	Spring, coil, compressive	3	000-072-8616-01	\$4.00
61	187470	Screw, cross pan head, M1.7x6 mm SST	2	000-090-5431-02	\$1.00
62	187471	Plain washer, M1.7 SST	2	000-090-5432-06	\$1.00
63	187472	Spring washer, M1.7 SST	2	000-090-5433-00	\$1.00
64	187473	Collar B	2	000-079-8972-09	\$10.00
65	187474	Block A, assist	1	000-091-8679-07	\$7.00
66	187476	Collar, spacer	4	000-113-7378-08	\$1.00
67	Consult	Lever, assist, under	1	100-009-1092-01	\$59.00
68	Consult	Bracket, assist, under	1	100-009-1091-00	\$63.00
69	Consult	Shaft, lever, assist	1	000-116-1719-13	\$16.00
70	Consult	Spring, plate, lever	1	000-091-2449-14	\$14.00
71	Consult	Shaft, step, assist	1	000-116-1724-21	\$48.00
72	Consult	Collar, spacer	1	000-117-3065-16	\$1.00
73	Consult	Catch, magnet	2	100-011-1469-00	\$7.00
74	178221	Catch, magnet	1	000-027-2865-01	\$7.00
75	Consult	Stay, USB	1	000-144-5931-05	\$21.00
76	Consult	Bracket, power supply SW	1	100-012-0024-00	\$112.00
77	Consult	Guide, shaft	1	100-009-1802-00	\$20.00
78	187475	Collar A	2	000-095-9235-00	\$14.00
79	187450	Collar, step	1	000-076-7629-05	\$13.00
80	Consult	Guide, label	1	100-010-6526-00	\$35.00
81	178189	Shaft, label, spacer	1	100-008-8473-00	\$11.00
82	Consult	Plate A, fulcrum, holder	1	100-011-0588-00	\$18.00
83	Consult	Roller, paper core	1	100-011-0573-00	\$37.00
84	Consult	Holder, paper core	1	100-011-0579-01	\$66.00
85	Consult	Spring, plate, paper core	1	100-011-0580-01	\$77.00
86	Consult	Guide, label, POP	1	100-009-7029-01	\$71.00
87	Consult	Bracket, guide roller	1	100-010-9519-01	\$237.00
88	Consult	Roller, turn, label	2	100-009-7026-01	\$36.00
89	Consult	Spacer, turn, roller	1	100-010-9517-00	\$24.00
90	Consult	Roller, guide	1	100-010-9518-00	\$85.00
91	189208	Bush	2	000-076-1844-08	\$2.00
92	178222	Shaft, step, short	1	100-011-0227-01	\$124.00
93	178223	Torque limiter	1	000-078-0990-00	\$17.00
94	Consult	Shaft, fulcrum, holder	1	100-011-0587-00	\$63.00
95	Consult	Plate A, sensor	1	100-011-0483-00	\$14.00
96	Consult	Cover, sensor, open/close	1	100-011-0479-01	\$25.00
97	181386	Hinge, L	2	000-011-5730-01	\$12.00
98	Consult	Cover, printer	1	100-011-1555-01	\$359.00
99	198655	Cover, label, sensor	1	100-011-2014-01	\$34.00
100	178190	Roller, label	1	100-012-1219-00	\$13.00
101	178225	C-ring for shaft	1	000-014-8693-09	\$1.00
501	178226	PWB P-1131A-3, pop printer board, A410	1	100-009-2885-01	\$524.00
502	171875	Print head, thermal, E400	1	100-010-2669-00	\$269.00
503	105979	Magnet, green, for proximity switch, head up (B415), printer door (B420)	2	000-067-2609-01	\$15.00
504	171876	Photo interruptor, peel sensor, trans, B410	1	000-112-1169-16	\$9.00
505	171877	Photo interruptor, peel sensor, rec, B411	1	000-112-1170-11	\$9.00
506	125717	Switch, rotary, main power on/off, S100	1	000-134-8366-02	\$52.00
601	178227	Sensor assy POP, label gap/head up, B412, B413, B414	1	100-005-2664-00	\$147.00
602	Consult	Harness, C2, USB	1	100-006-5608-00	\$44.00
603	178228	Harness, S2, thermal head	1	100-007-8314-00	\$182.00
604	Consult	Harness, C4, motor	1	100-007-8312-00	\$66.00
605	182821	Harness, C2, to B414 (peel sensor receiver)	1	100-002-3521-00	\$5.00

ISHIDA WM-AI

Printer Unit - POP

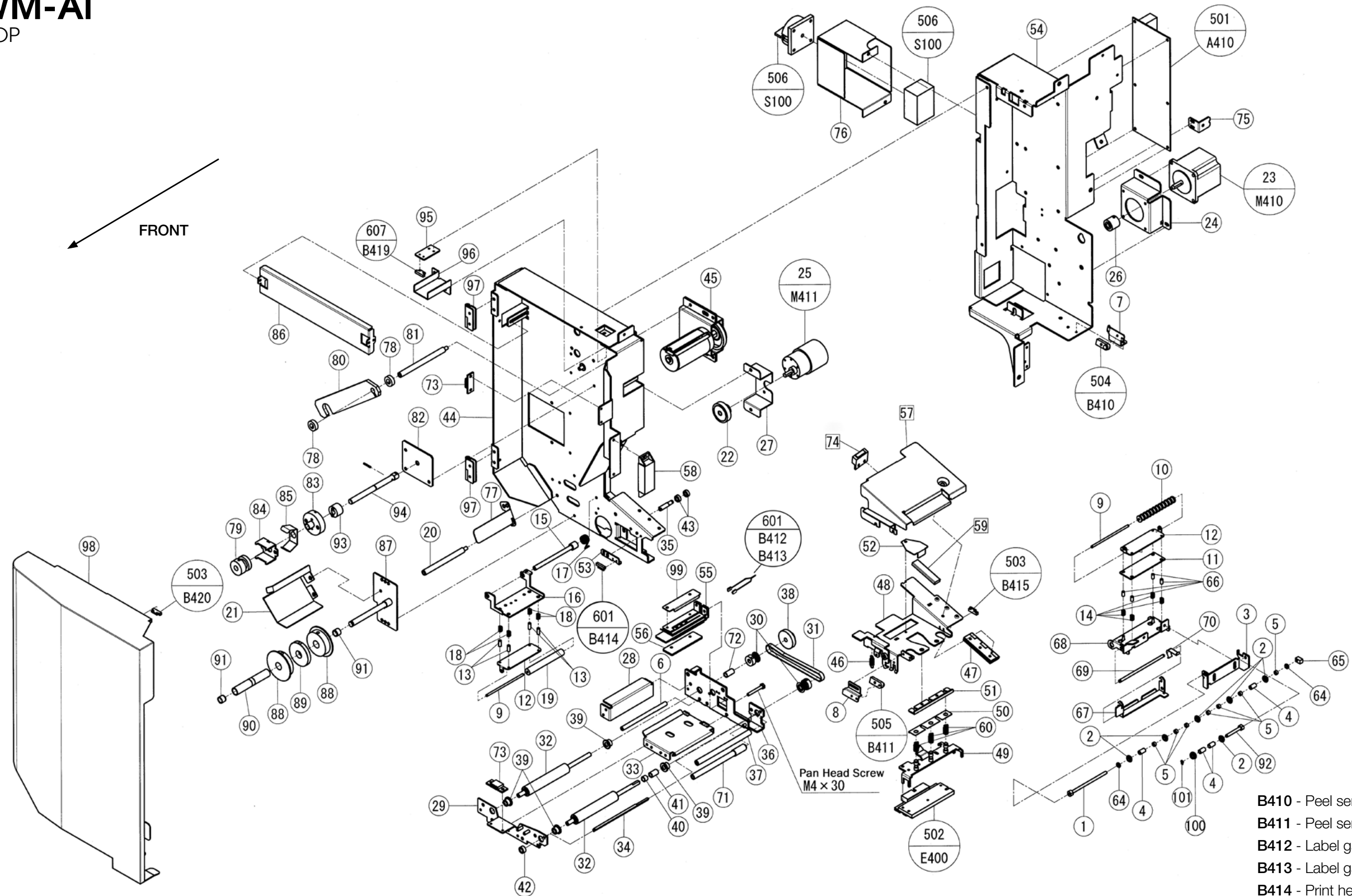
Part Number/Price

REF #	PART #	DESCRIPTION	QTY	SYNONYM	PRICE
606	189288	Harness, C5, power supply SW	1	000-137-8216-27	\$22.00
607	178229	Sensor assy, printer door open/closed, B419	1	100-006-3340-00	\$52.00

Ishida WM-AI

Ishida WM-Ai

Printer Unit - POP



- B410 - Peel sensor, emitter
- B411 - Peel sensor, receiver
- B412 - Label gap sensor, emitter
- B413 - Label gap sensor, receiver
- B414 - Print head up sensor
- B415 - Print head up magnet
- B419 - Printer cover open/closed sensor
- B420 - Printer cover open/closed magnet

Applicator Control Unit - POP

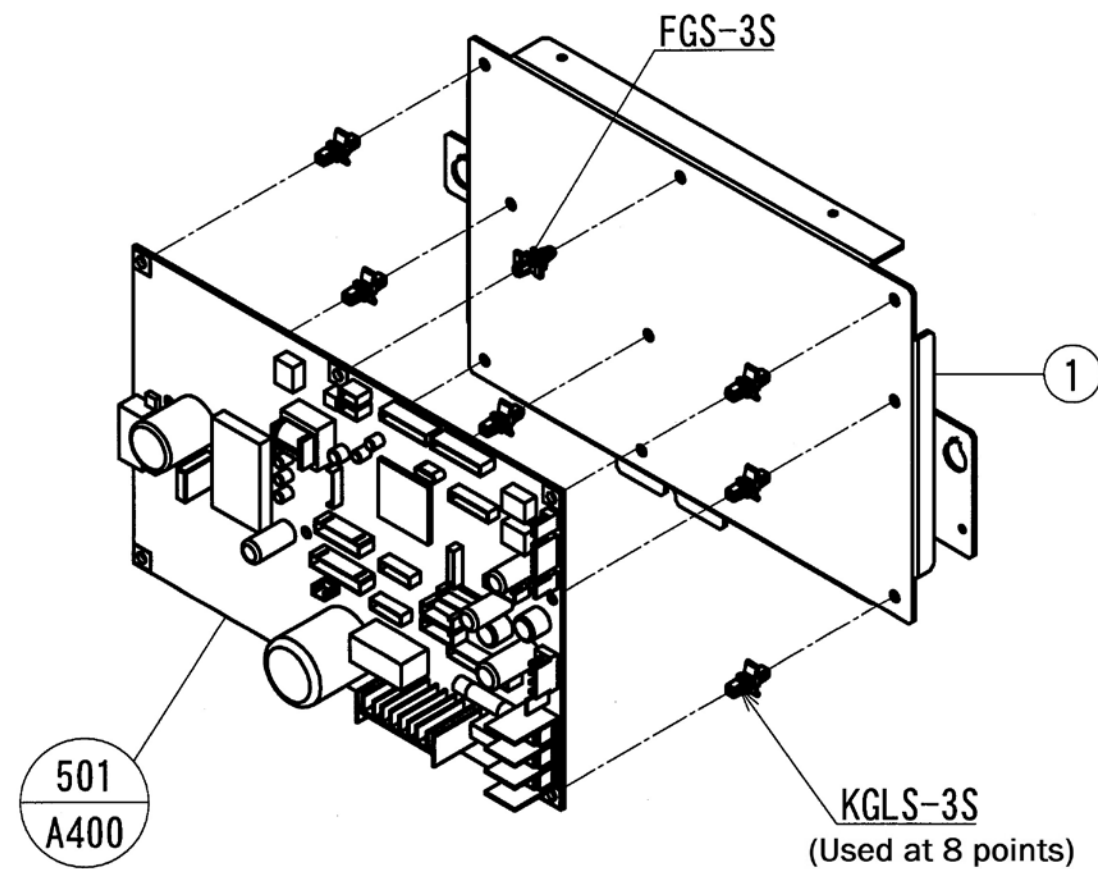
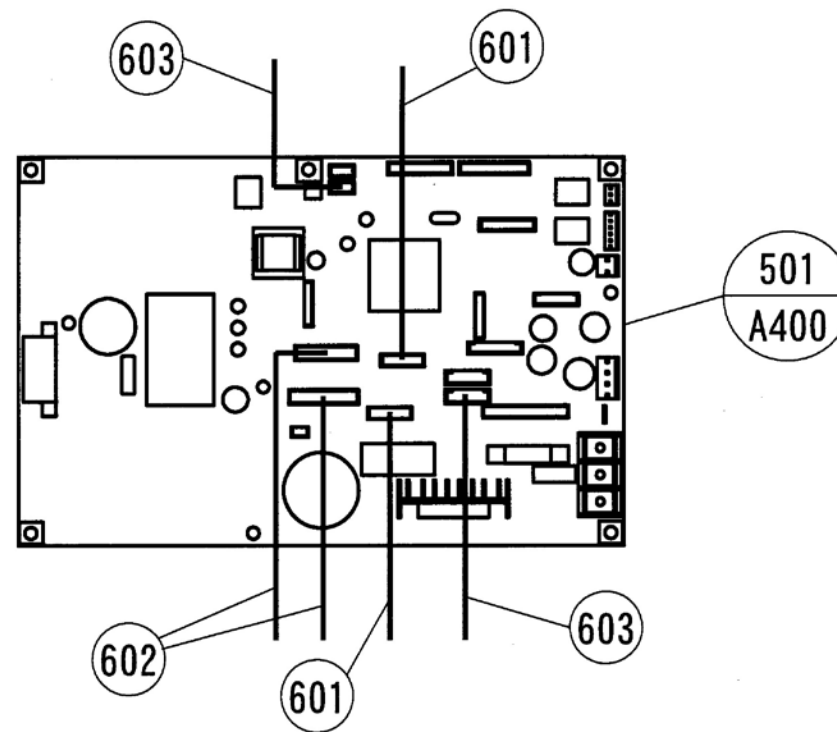
Part Number/Price

REF #	PART #	DESCRIPTION	QTY	SYNONYM	PRICE
1	Consult	Bracket, control, applicator	1	100-001-0326-01	\$74.00
501*	178205	PWB, P-1105C-2, pop printer motor/sensor controller, A400	1	000-151-6265-12	\$726.00
601	Consult	Harness, C4, signal	1	100-007-8159-00	\$218.00
602	Consult	Harness, C5, junction	1	100-011-1230-00	\$77.00
603	Consult	Harness, C4, communication	1	100-007-8190-00	\$106.00

* PN 171866 PWB, P-1105C-1 may also be used

Ishida WM-Ai

Applicator Control Unit - POP



ISHIDA WM-AI

Lighting Unit - LED

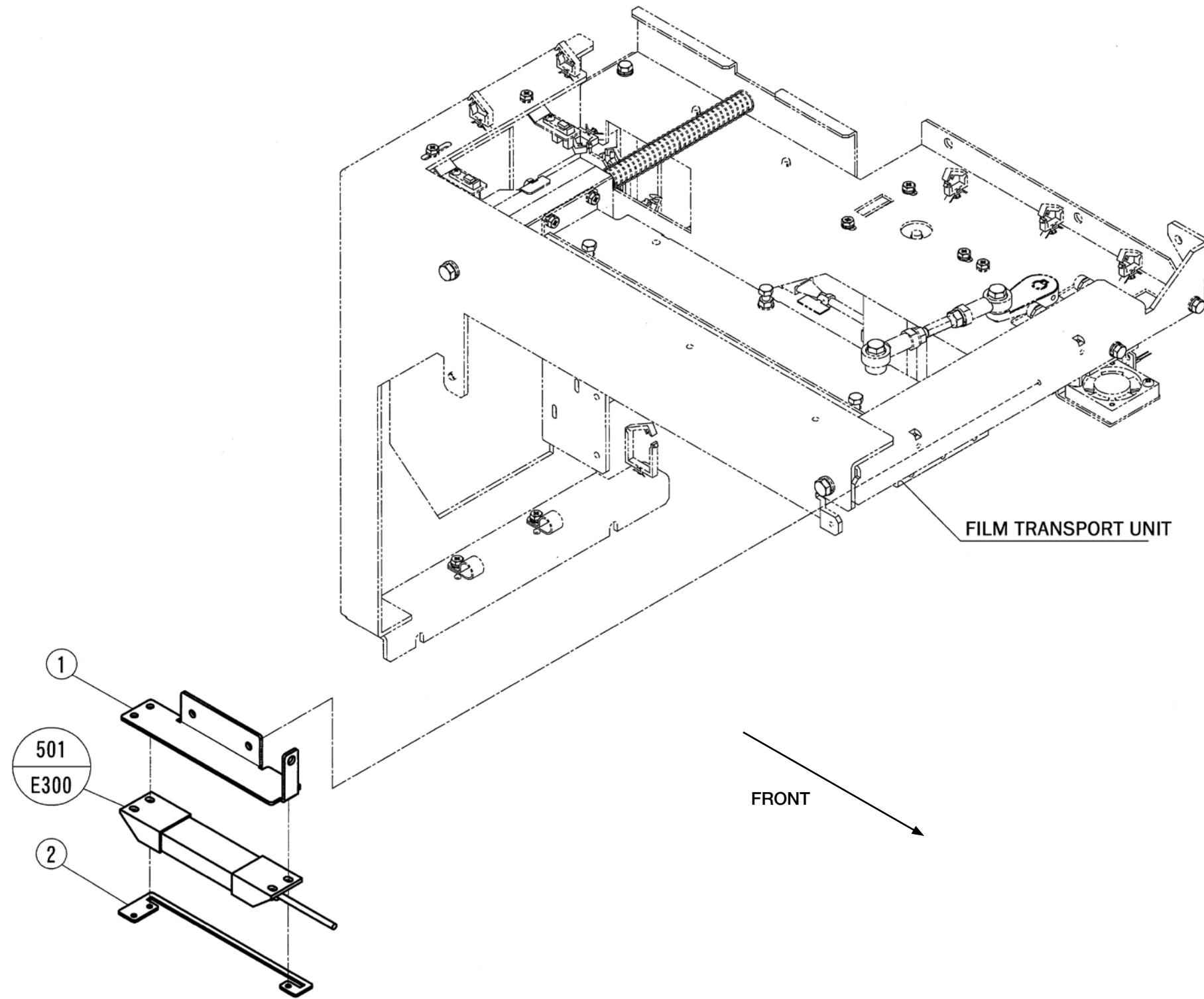
Part Number/Price

REF #	PART #	DESCRIPTION	QTY	SYNONYM	PRICE
—	192145	LED lamp unit, complete	1	100-009-1606-00	\$315.00
1	Consult	Bracket, LED	1	100-004-9072-00	\$66.00
2	Consult	Plate B, nut plate, LED	1	100-004-9075-00	\$35.00
501	178224	LED lamp assy E300	1	100-001-4291-01	\$206.00

Ishida WM-AI

Ishida WM-Ai

Lighting Unit - LED



Maintenance Kit

Part Number/Price

REF #	PART #	DESCRIPTION	QTY	SYNONYM	PRICE
1	Consult	Brush, cleaning	1	000-073-7244-03	\$5.00
2	44222	Cleaner, thermal head	1	000-008-5944-02	\$14.00
3	Consult	Pack, uni pack	1	000-025-6184-09	\$1.00
6	Consult	Weight, cylinder, 200 g	1	000-042-0371-12	\$30.00
8	98400	Cover, 10-key, clear, adhesive	1	000-092-8430-13	\$50.00
9	Consult	Wire	2	000-149-6972-08	\$74.00
10	Consult	Wire	1	000-149-6973-01	\$68.00
11	Consult	Accessory, bush, skin top	1	000-002-5552-02	\$8.00
12	Consult	Accessory, lock nut	1	000-053-1582-02	\$3.00
999	77932	Grease, general purpose lithium, amber, Shell GadusS2 V100 2, 14 oz tube			\$19.00
999	77933	Grease, food grade, white aluminum food, CRC SL35600, 14 oz tube			\$40.00
999	77934	Grease, multi-purpose, black, Moly-Graph, Sta-Lube SL3330, 14 oz tube			\$21.00
999	95540	Service key, door safety interlock bypass (for service support)	3	113-7072-09	\$33.00
999	176133	Harness, C2 Film Feeder Extension Cable (for service support)	2	100-009-6119-00	\$120.00



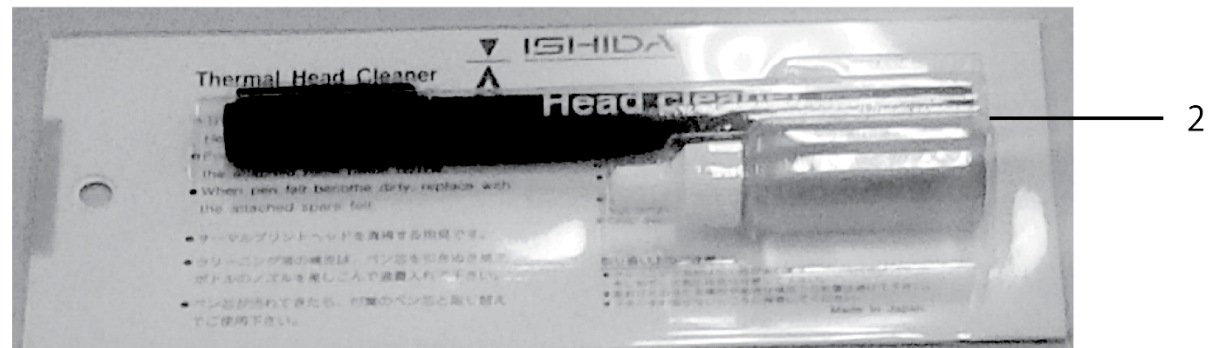
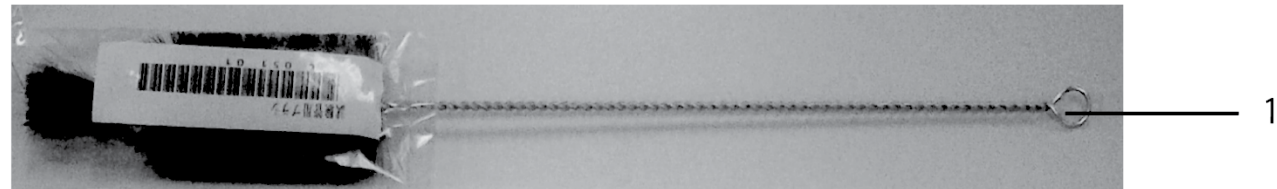
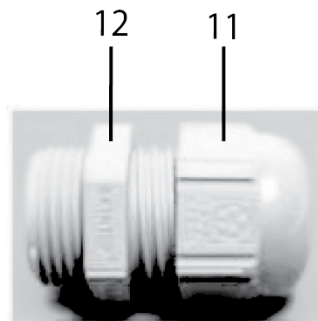
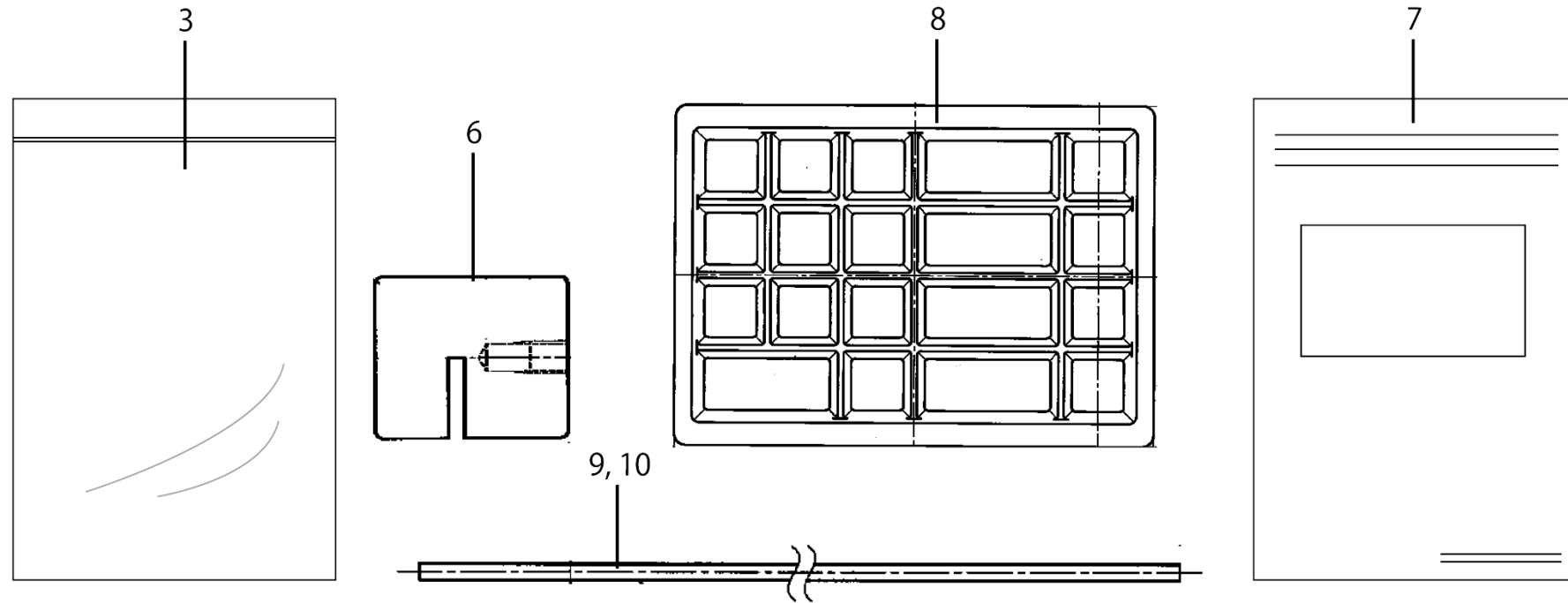
PN 95540



PN 176133

Ishida WM-Ai

Maintenance Kit



Decal Set

Part Number/Price

REF #	PART #	DESCRIPTION	QTY	SYNONYM	PRICE
1	177180	Decal set, safety	1	100-001-8792-01	\$237.00
2	177181	Decal set, film loading	1	100-001-8790-00	\$170.00
3	177182	Decal set, conveyor operation, max weigh, etc	1	100-002-3005-00	\$200.00
4	177183	Decal set, tray measurement, etc.	1	100-002-0926-01	\$237.00

Ishida WM-Ai

Decal Set

1

2

3

4