

# In-Motion Weighing

---

## TABLE OF CONTENTS

<b>ELS Series</b> .....	<b>584</b>
<i>Elevated Load Cell Stands</i>	
<b>MotoWeigh® IMW</b> .....	<b>586</b>
<i>In-Motion Conveyor Scale and Checkweigher</i>	
<b>MotoWeigh® Metal Detector</b> .....	<b>591</b>
<b>MotoWeigh® Cascade Checkweigher</b> .....	<b>594</b>
<i>Gravity Drop Checkweigher</i>	
<b>Motoweigh® Integrator</b> .....	<b>594</b>
<b>A&amp;D Inspection</b> .....	<b>595</b>
<i>In-Motion Checkweigher and Metal Detector</i>	
<b>RT-M</b> .....	<b>597</b>
<i>Roller Top Scale</i>	

IN-MOTION  
WEIGHING

The following product names, logos, brands and other trademarks featured or referred to within this publication are the property of their respective trademark holders.

# ELS Series

Elevated Load Cell Stands



## Standard Features

- Adjustable height and width in 1-inch increments
- Mild or stainless steel frame
- Individual load cell overload protection
- Jack bolts in leveling feet for easy conveyor height alignment
- Kit includes: two stands, load cells, junction box, two adjustable stabilizing braces, leveling shims and hardware

## Options

- Indicator stand – mild or stainless steel
- Additional single ELS weigh stand
- Additional stabilizing brace kit

## Specifications

### Load Cell:

Four RL32018 or RL32018S single-ended beam: 250 lb, 500 lb and 1,000 lb capacity

### Cable Length:

25 ft

### Warranty:

Two-year limited

### Approvals:

Load cells are FM approved

## Part Number/Price

Part #	Length	Width	Height	Price
<b>Mild Steel - Overall Product Dimensions</b>				
<b>ELS-250 Kit (Load Rating 500 lbs)</b>				
212655	30 to 60 in	22 to 28 in	22 to 28 in	\$3,575.00
212656	30 to 60 in	22 to 28 in	29 to 36 in	\$3,650.00
212659	30 to 60 in	29 to 40 in	22 to 28 in	\$3,650.00
212660	30 to 60 in	29 to 40 in	29 to 36 in	\$3,725.00
212957	30 to 60 in	41 to 58 in	22 to 28 in	\$3,725.00
212958	30 to 60 in	41 to 58 in	29 to 36 in	\$3,800.00
<b>ELS-500 Kit (Load Rating 1,000 lbs)</b>				
212661	30 to 60 in	22 to 28 in	22 to 28 in	\$3,675.00
212662	30 to 60 in	22 to 28 in	29 to 36 in	\$3,750.00
212663	30 to 60 in	29 to 40 in	22 to 28 in	\$3,750.00
212665	30 to 60 in	29 to 40 in	29 to 36 in	\$3,825.00
212953	30 to 60 in	41 to 58 in	22 to 28 in	\$3,825.00
212954	30 to 60 in	41 to 58 in	29 to 36 in	\$3,900.00
<b>ELS-1000 Kit (Load Rating 2,000 lbs)</b>				
212666	30 to 60 in	22 to 28 in	22 to 28 in	\$3,775.00
212667	30 to 60 in	22 to 28 in	29 to 36 in	\$3,850.00
212669	30 to 60 in	29 to 40 in	22 to 28 in	\$3,850.00
212670	30 to 60 in	29 to 40 in	29 to 36 in	\$3,925.00
212949	30 to 60 in	41 to 58 in	22 to 28 in	\$3,925.00
212950	30 to 60 in	41 to 58 in	29 to 36 in	\$4,000.00
<b>Stainless Steel</b>				
<b>ELS-250 Kit (Load Rating 500 lbs)</b>				
213276	30 to 60 in	22 to 28 in	22 to 28 in	\$5,800.00
213278	30 to 60 in	22 to 28 in	29 to 36 in	\$5,925.00
213280	30 to 60 in	29 to 40 in	22 to 28 in	\$5,925.00
213282	30 to 60 in	29 to 40 in	29 to 36 in	\$6,050.00
213283	30 to 60 in	41 to 58 in	22 to 28 in	\$6,050.00
213284	30 to 60 in	41 to 58 in	29 to 36 in	\$6,175.00
<b>ELS-500 Kit (Load Rating 1,000 lbs)</b>				
213292	30 to 60 in	22 to 28 in	22 to 28 in	\$5,900.00
213293	30 to 60 in	22 to 28 in	29 to 36 in	\$6,025.00
213294	30 to 60 in	29 to 40 in	22 to 28 in	\$6,025.00
213295	30 to 60 in	29 to 40 in	29 to 36 in	\$6,150.00
213296	30 to 60 in	41 to 58 in	22 to 28 in	\$6,150.00
213297	30 to 60 in	41 to 58 in	29 to 36 in	\$6,275.00
<b>ELS-1000 Kit (Load Rating 2,000 lbs)</b>				
213304	30 to 60 in	22 to 28 in	22 to 28 in	\$6,000.00
213305	30 to 60 in	22 to 28 in	29 to 36 in	\$6,125.00
213306	30 to 60 in	29 to 40 in	22 to 28 in	\$6,125.00
213307	30 to 60 in	29 to 40 in	29 to 36 in	\$6,250.00
213308	30 to 60 in	41 to 58 in	22 to 28 in	\$6,250.00
213309	30 to 60 in	41 to 58 in	29 to 36 in	\$6,375.00

NOTE: Height is the floor to top mounting plate measurement  
Width and Height adjustable in 1 inch increments

IN-MOTION  
WEIGHING

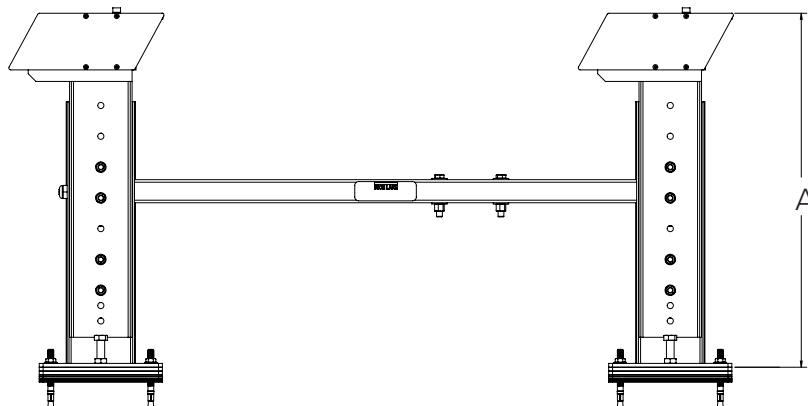
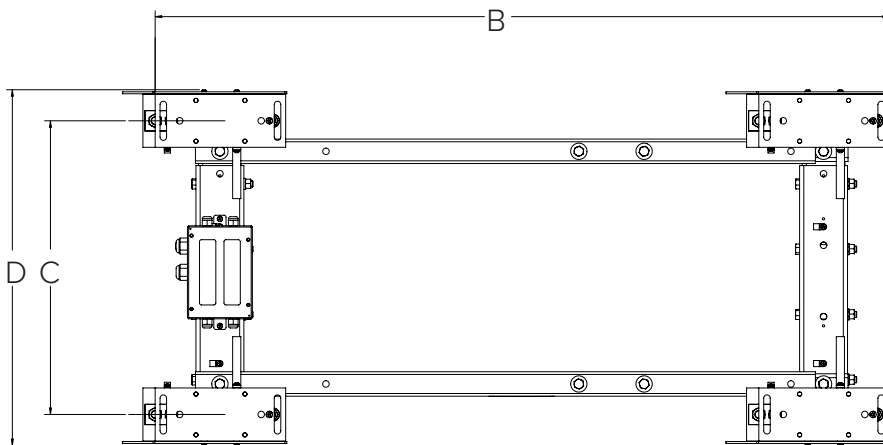
## Options/Accessories

Part #	Description	Price
19352	Indicator floor stand mild steel, 36.3 in high	\$250.00
28740	Indicator floor stand SST, 36.3 in high	\$340.00
Consult	Single ELS weigh stand	Consult
213229	Additional stabilizing brace kit mild steel	\$250.00
213316	Additional stabilizing brace kit stainless steel	\$425.00

## Dimensions

	Kit Variation	Minimum Dimension	Maximum Dimension
A	Small	22 in (55.88 cm)	28 in (71.12 cm)
	Large	29 in (73.66 cm)	36 in (91.44 cm)
B	All	30 in (76.20 cm)	60 in (152.40 cm)
C	Small	17 in (43.18 cm)	24 in (60.96 cm)
	Large	37 in (93.98 cm)	54 in (137.16 cm)
D	Small	22 in (55.88 cm)	28 in (71.12 cm)
	Medium	29 in (73.66 cm)	40 in (101.60 cm)
	Large	41 in (104.14 cm)	58 in (147.32 cm)

Dimensions A, C and D are adjustable in one inch increments



IN-MOTION  
WEIGHING

# MotoWeigh® IMW

In-Motion Conveyor Scale and Checkweigher



## Approvals



Optional



Optional

## Standard Features

### Software

- Four levels of security
- Real-time statistical information
- Product report
- Statistical report
- Parameter report
- User report
- Store up to 1,000 different products
- Five-zone classification

### Control Panel

- 1280 controller
- Power disconnect with lock-out/tag-out
- E-stop
- VFD (variable frequency drive)
- Motor overloads

### Hardware

- Square tube construction (SST or aluminum)
- 32 in height from top of belt with  $\pm 2.5$  in of adjustment
- Modular belting

## Options

- Divert methods:
  - Pneumatic pusher
  - Air blast
  - Drop conveyor
  - Paddle
  - Secondary diverter in series or parallel
- One-, three- or five -zone communication tower
- Audible alarm (non-washdown only)
- Draft shields
- Drop chutes
- Pull cord E-stops
- Portability package (non-NTEP Certified only)
- Conveyor guide rails (round or flat)
- Custom programming available
- Food-grade SST angle construction, NEMA Type 4X IP66 washdown systems
- Meets HACCP requirements
- UL 508
- NTEP Certified Legal for Trade (up to 2,000 divisions and 60 ppm)
- Pacing conveyor

## Specifications

### Construction:

- Stainless steel food-grade
- Stainless steel non-food-grade
- Aluminum non-food-grade

### Configurations:

- Checkweigher
- Conveyor scale

### Speed:

Up to 240 ft per minute

### Container Types:

Boxes, bags, pouches, trays, tubs, cups, blister packs, display packs, clam shells

### Belts:

Intralox® Habasit®

### Power Configuration:

- 110 VAC single phase, 60 Hz
- 230/460 VAC 3 phase, 60 Hz

### Warranty:

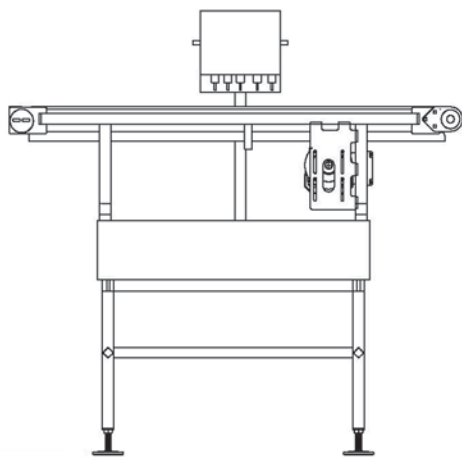
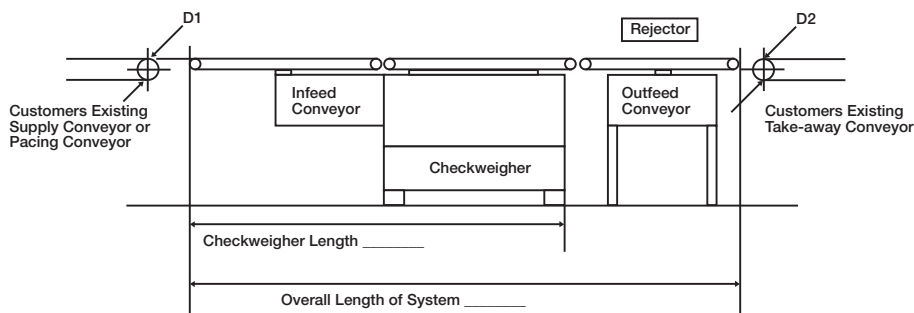
Two-year limited (excludes powertrain and wear parts)

### Checkweigher Packages:

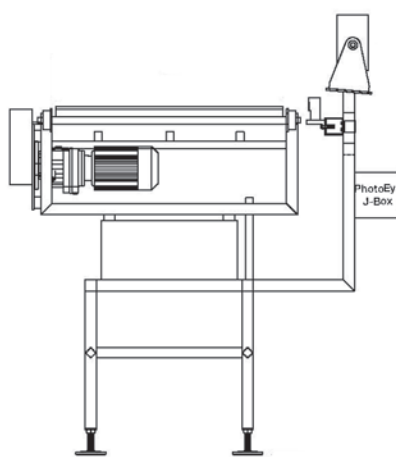
NTEP Certified and non-NTEP Certified packages available in stainless steel and aluminum for food and non-food-grade applications

### Checkweigher Packages Include:

Common framework for mounting conveyor scale on same frame as infeed conveyor and indicator  
Basic control enclosure to interconnect wiring from photo eyes and divert solenoid and conveyor on/off/E-stop



Side View  
Conveyor Scale



End View  
Conveyor Scale

Due to the variety of configurations, please consult a sales engineer to discuss application requirements and for complete specifications and price quotations.

Field installation available at pre-determined rates.

Questionnaire available at [www.ricelake.com/motoweigh](http://www.ricelake.com/motoweigh)

Example Conveyor System Sizes and Configurations					
Configuration	Scale Width	Scale Length	Capacity	PPM	Material
Scale Conveyor Only	6	12	10, 20	Min Length: 3 in Max Length (40ppm): 7 in Max Length (75ppm): 3 in	AL, Ind Welded
					SST, Ind Welded
					SST, Food Grade Welded
	6	18	10, 20	Min Length: 3 in Max Length (40ppm): 11.5 in Max Length (80ppm): 5 in	AL, Ind Welded
					SST, Ind Welded
					SST, Food Grade Welded
6	24	10, 20	Min Length: 3 in Max Length (40ppm): 15.5 in Max Length (80ppm): 7.5 in	AL, Ind Welded	
				SST, Ind Welded	
				SST, Food Grade Welded	
Checkweigher with Linear Thrust Reject Device (Includes: Infeed, scale, and outfeed conveyors. All conveyors same length.)	6	12	10, 20	Min Length: 3 in Max Length (40ppm): 7 in Max Length (75ppm): 3 in	AL, Ind Welded
					SST, Ind Welded
					SST, Food Grade Welded
	6	18	10, 20	Min Length: 3 in Max Length (40ppm): 11.5 in Max Length (80ppm): 5 in	AL, Ind Welded
					SST, Ind Welded
					SST, Food Grade Welded
6	24	10, 20	Min Length: 3 in Max Length (40ppm): 15.5 in Max Length (80ppm): 7.5 in	AL, Ind Welded	
				SST, Ind Welded	
				SST, Food Grade Welded	
Scale Conveyor Only	12	18	10, 20, 40	Min Length: 3 in (6 in@40 lb) Max Length (40ppm): 11.5 in Max Length (80ppm): 5 in	AL, Ind Welded
					SST, Ind Welded
					SST, Food Grade Welded
	12	24	10, 20, 40	Min Length: 3 in (6 in@40 lb) Max Length (40ppm): 15.5 in Max Length (80ppm): 7.5 in	AL, Ind Welded
					SST, Ind Welded
					SST, Food Grade Welded
12	30	10, 20, 40	Min Length: 3 in (6 in@40 lb) Max Length (40ppm): 20 in Max Length (80ppm): 10 in	AL, Ind Welded	
				SST, Ind Welded	
				SST, Food Grade Welded	
12	36	10, 20, 40	Min Length: 3 in (6 in@40 lb) Max Length (35ppm): 25.5 in Max Length (70ppm): 15.5 in	AL, Ind Welded	
				SST, Ind Welded	
				SST, Food Grade Welded	
Checkweigher with Linear Thrust Reject Device (Includes: Infeed, scale, and outfeed conveyors. All conveyors same length.)	12	18	10, 20, 40	Min Length: 3 in (6 in@40 lb) Max Length (40ppm): 11.5 in Max Length (80ppm): 5 in	AL, Ind Welded
					SST, Ind Welded
					SST, Food Grade Welded
	12	24	10, 20, 40	Min Length: 3 in (6 in@40 lb) Max Length (40ppm): 15.5 in Max Length (80ppm): 7.5 in	AL, Ind Welded
					SST, Ind Welded
					SST, Food Grade Welded
12	30	10, 20, 40	Min Length: 3 in (6 in@40 lb) Max Length (40ppm): 20 in Max Length (80ppm): 10 in	AL, Ind Welded	
				SST, Ind Welded	
				SST, Food Grade Welded	
12	36	10, 20, 40	Min Length: 3 in (6 in@40 lb) Max Length (35ppm): 25.5 in Max Length (70ppm): 15.5 in	AL, Ind Welded	
				SST, Ind Welded	
				SST, Food Grade Welded	

IN-MOTION WEIGHING

# MotoWeigh® IMW

In-Motion Conveyor Scale and Checkweigher

## Example Conveyor System Sizes and Configurations

Configuration	Scale Width	Scale Length	Capacity	PPM	Material
Scale Conveyor Only	18	24	20, 40, 100	Min Length: 6 in (3 in@20 lb) Max Length (40ppm): 15.5 in Max Length (80ppm): 7.5 in	AL, Ind Welded
					SST, Ind Welded
					SST, Food Grade Welded
	18	30	20, 40, 100	Min Length: 6 in (3 in@20 lb) Max Length (40ppm): 20 in Max Length (80ppm): 10 in	AL, Ind Welded
					SST, Ind Welded
					SST, Food Grade Welded
	18	36	20, 40, 100	Min Length: 6 in (3 in@20 lb) Max Length (35ppm): 25.5 in Max Length (70ppm): 15.5 in	AL, Ind Welded
					SST, Ind Welded
					SST, Food Grade Welded
	18	42	20, 40, 100	Min Length: 6 in (3 in@20 lb) Max Length (30ppm): 32 in Max Length (60ppm): 22 in	AL, Ind Welded
					SST, Ind Welded
					SST, Food Grade Welded
	18	48	20, 40, 100	Min Length: 6 in (3 in@20 lb) Max Length (30ppm): 36.5 in Max of 54ppm	AL, Ind Welded
					SST, Ind Welded
					SST, Food Grade Welded
Checkweigher with Linear Thrust Reject Device (Includes: Infeed, scale, and outfeed conveyors. All conveyors same length.)	18	24	20, 40, 100	Min Length: 6 in (3 in@20 lb) Max Length (40ppm): 15.5 in Max Length (80ppm): 7.5 in	AL, Ind Welded
					SST, Ind Welded
					SST, Food Grade Welded
	18	30	20, 40, 100	Min Length: 6 in (3 in@20 lb) Max Length (40ppm): 20 in Max Length (80ppm): 10 in	AL, Ind Welded
					SST, Ind Welded
					SST, Food Grade Welded
	18	36	20, 40, 100	Min Length: 6 in (3 in@20 lb) Max Length (35ppm): 25.5 in Max Length (70ppm): 15.5 in	AL, Ind Welded
					SST, Ind Welded
					SST, Food Grade Welded
	18	42	20, 40, 100	Min Length: 6 in (3 in@20 lb) Max Length (30ppm): 32 in Max Length (60ppm): 22 in	AL, Ind Welded
					SST, Ind Welded
					SST, Food Grade Welded
	18	48	20, 40, 100	Min Length: 6 in (3 in@20 lb) Max Length (30ppm): 36.5 in Max of 54ppm	AL, Ind Welded
					SST, Ind Welded
					SST, Food Grade Welded
Scale Conveyor Only	24	30	40, 100	Min Length: 6 in Max Length (40ppm): 20 in Max Length (80ppm): 10 in	AL, Ind Welded
					SST, Ind Welded
					SST, Food Grade Welded
	24	36	40, 100	Min Length: 6 in Max Length (35ppm): 25.5 in Max Length (70ppm): 15.5 in	AL, Ind Welded
					SST, Ind Welded
					SST, Food Grade Welded
	24	42	40, 100	Min Length: 6 in Max Length (30ppm): 32 in Max Length (60ppm): 22 in	AL, Ind Welded
					SST, Ind Welded
					SST, Food Grade Welded
	24	48	40, 100	Min Length: 6 in Max Length (30ppm): 36.5 in Max of 54ppm	AL, Ind Welded
					SST, Ind Welded
					SST, Food Grade Welded
	24	54	40, 100	Min Length: 6 in Max Length (30ppm): 41.5 in Max of 48ppm	AL, Ind Welded
					SST, Ind Welded
					SST, Food Grade Welded
24	60	40, 100	Min Length: 6 in Max Length (30ppm): 46 in Max of 44ppm	AL, Ind Welded	
				SST, Ind Welded	
				SST, Food Grade Welded	

IN-MOTION WEIGHING

Example Conveyor System Sizes and Configurations						
Configuration	Scale Width	Scale Length	Capacity	PPM	Material	
Checkweigher with Linear Thrust Reject Device (Includes: Infeed, scale, and outfeed conveyors. All conveyors same length.)	24	30	40, 100	Min Length: 6 in Max Length (40ppm): 20 in Max Length (80ppm): 10 in	AL, Ind Welded	
					SST, Ind Welded	
					SST, Food Grade Welded	
	24	36	40, 100	Min Length: 6 in Max Length (35ppm): 25.5 in Max Length (70ppm): 15.5 in	AL, Ind Welded	
					SST, Ind Welded	
					SST, Food Grade Welded	
	24	42	40, 100	Min Length: 6 in Max Length (30ppm): 32 in Max Length (60ppm): 22 in	AL, Ind Welded	
					SST, Ind Welded	
					SST, Food Grade Welded	
	24	48	40, 100	Min Length: 6 in Max Length (30ppm): 36.5 in Max of 54ppm	AL, Ind Welded	
					SST, Ind Welded	
					SST, Food Grade Welded	
	24	54	40, 100	Min Length: 6 in Max Length (30ppm): 41.5 in Max of 48ppm	AL, Ind Welded	
					SST, Ind Welded	
					SST, Food Grade Welded	
	24	60	40, 100	Min Length: 6 in Max Length (30ppm): 46 in Max of 44ppm	AL, Ind Welded	
					SST, Ind Welded	
					SST, Food Grade Welded	
Scale Conveyor Only	30	36	100, 200	Min Length: 6 in Max Length (35ppm): 25.5 in Max Length (70ppm): 15.5 in	AL, Ind Welded	
					SST, Ind Welded	
					SST, Food Grade Welded	
	30	42	100, 200	Min Length: 6 in Max Length (30ppm): 32 in Max Length (60ppm): 22 in	AL, Ind Welded	
					SST, Ind Welded	
					SST, Food Grade Welded	
	30	48	100, 200	Min Length: 6 in Max Length (30ppm): 36.5 in Max of 54ppm	AL, Ind Welded	
					SST, Ind Welded	
					SST, Food Grade Welded	
	30	54	100, 200	Min Length: 6 in Max Length (30ppm): 41.5 in Max of 48ppm	AL, Ind Welded	
					SST, Ind Welded	
					SST, Food Grade Welded	
	30	60	100, 200	Min Length: 6 in Max Length (30ppm): 46 in Max of 44ppm	AL, Ind Welded	
					SST, Ind Welded	
					SST, Food Grade Welded	
	Checkweigher with Linear Thrust Reject Device (Includes: Infeed, scale, and outfeed conveyors. All conveyors same length.)	30	36	100, 200	Min Length: 6 in Max Length (35ppm): 25.5 in Max Length (70ppm): 15.5 in	AL, Ind Welded
						SST, Ind Welded
						SST, Food Grade Welded
30		42	100, 200	Min Length: 6 in Max Length (30ppm): 32 in Max Length (60ppm): 22 in	AL, Ind Welded	
					SST, Ind Welded	
					SST, Food Grade Welded	
30		48	100, 200	Min Length: 6 in Max Length (30ppm): 36.5 in Max of 54ppm	AL, Ind Welded	
					SST, Ind Welded	
					SST, Food Grade Welded	
30		54	100, 200	Min Length: 6 in Max Length (30ppm): 41.5 in Max of 48ppm	AL, Ind Welded	
					SST, Ind Welded	
					SST, Food Grade Welded	
30		60	100, 200	Min Length: 6 in Max Length (30ppm): 46 in Max of 44ppm	AL, Ind Welded	
					SST, Ind Welded	
					SST, Food Grade Welded	

IN-MOTION WEIGHING

# MotoWeigh® IMW

In-Motion Conveyor Scale and Checkweigher

Example Conveyor System Sizes and Configurations

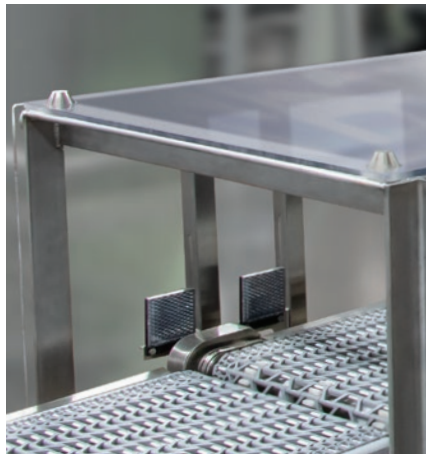
Configuration	Scale Width	Scale Length	Capacity	PPM	Material
Scale Conveyor Only	36	42	100, 200	Min Length: 6 in Max Length (30ppm): 32 in Max Length (60ppm): 22 in	AL, Ind Welded
					SST, Ind Welded
					SST, Food Grade Welded
	36	48	100, 200	Min Length: 6 in Max Length (30ppm): 36.5 in Max of 54ppm	AL, Ind Welded
					SST, Ind Welded
					SST, Food Grade Welded
	36	54	100, 200	Min Length: 6 in Max Length (30ppm): 41.5 in Max of 48ppm	AL, Ind Welded
					SST, Ind Welded
	36	60	100, 200	Min Length: 6 in Max Length (30ppm): 46 in Max of 44ppm	AL, Ind Welded
					SST, Ind Welded
					SST, Food Grade Welded
	Checkweigher with Linear Thrust Reject Device (Includes: Infeed, scale, and outfeed conveyors. All conveyors same length.)	36	42	100, 200	Min Length: 6 in Max Length (30ppm): 32 in Max Length (60ppm): 22 in
SST, Ind Welded					
SST, Food Grade Welded					
36		48	100, 200	Min Length: 6 in Max Length (30ppm): 36.5 in Max of 54ppm	AL, Ind Welded
					SST, Ind Welded
					SST, Food Grade Welded
36		54	100, 200	Min Length: 6 in Max Length (30ppm): 41.5 in Max of 48ppm	AL, Ind Welded
					SST, Ind Welded
36		60	100, 200	Min Length: 6 in Max Length (30ppm): 46 in Max of 44ppm	AL, Ind Welded
					SST, Ind Welded
					SST, Food Grade Welded

Additional configurations, sizes, and capacities are available upon request

IN-MOTION WEIGHING



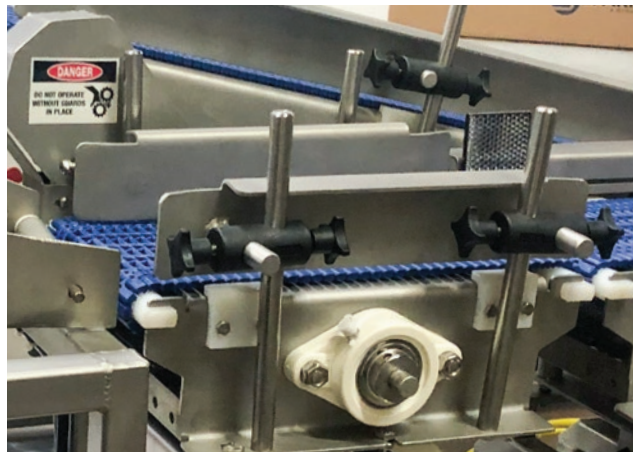
Diverter



Draftshield



Stack light accessory



Guide rails



# MotoWeigh® Metal Detector



## Approvals



## Part Number/Price

Part #	Main Systems	Price
<b>Metal Detector Only</b>		
170657	Metal Detector Head 8 in × 4 in	\$16,240.00
170659	Metal Detector Head 8 in × 6 in	\$16,370.00
170660	Metal Detector Head 8 in × 8 in	\$16,505.00
170669	Metal Detector Head 8 in × 10 in	\$17,625.00
170670	Metal Detector Head 8 in × 12 in	\$17,955.00
170671	Metal Detector Head 14 in × 6 in	\$17,855.00
170672	Metal Detector Head 14 in × 8 in	\$18,485.00
170673	Metal Detector Head 14 in × 10 in	\$18,680.00
170674	Metal Detector Head 14 in × 12 in	\$18,880.00
170692	Metal Detector Head 14 in × 14 in	\$19,870.00
170675	Metal Detector Head 20 in × 6 in	\$20,465.00
170676	Metal Detector Head 20 in × 8 in	\$20,730.00
170677	Metal Detector Head 20 in × 10 in	\$20,995.00
170678	Metal Detector Head 20 in × 12 in	\$21,255.00
170679	Metal Detector Head 20 in × 14 in	\$21,320.00
170680	Metal Detector Head 20 in × 16 in	\$22,115.00
170681	Metal Detector Head 20 in × 18 in	\$22,575.00
170682	Metal Detector Head 20 in × 20 in	\$22,575.00
186289	Metal Detector Head 26 in × 6 in	\$21,320.00
170683	Metal Detector Head 26 in × 8 in	\$21,585.00
170684	Metal Detector Head 26 in × 10 in	\$22,245.00
170685	Metal Detector Head 26 in × 12 in	\$22,575.00
170686	Metal Detector Head 26 in × 14 in	\$22,905.00
170687	Metal Detector Head 26 in × 16 in	\$23,435.00
170688	Metal Detector Head 26 in × 18 in	\$24,295.00
170689	Metal Detector Head 26 in × 20 in	\$24,295.00

## Standard Features

### Software

- Four levels of security
- Easy setup and product learning
- Easily change product boundaries/rejection
- One touch log reporting
- Eight fields of data recorded on large hard drive
- USB, Ethernet and RS485 communication ports
- Up to 97 products
- English or Spanish

### Hardware

- 7-inch color touchscreen interface
- 304 stainless steel construction
- NEMA Type 4X, 304 stainless steel housing and enclosure
- IP66 rated
- Easily removable belt
- Adjustable foot pads or optional casters
- Single-point junction box
- Anti-static UHMW slider bed
- Variable speed control

## Options

- Reject mechanism
- Paddle
- Linear
- Drop
- Lock box
- IP69K
- Meets HACCP requirements
- Ferrous, non-ferrous and 316 stainless steel test wands; individual wands and kits
- LED communication tower
- Audible alarms
- Caster package
- Guide rails
- AC power conditioner

## Specifications

### Construction:

304 stainless steel

### Display:

7-inch color touchscreen

### Language Support:

English and Spanish

### Inputs:

Eight configurable (for photo eyes, remote emergency stop, etc.) that can be set to active high or active low

### Outputs:

Nine programmable (for reject mechanism, system faults, system warnings, etc.)

### Speed:

Up to 120 ft/minute depending on configuration

### Operating Temperature:

Integral control 14 °F to 120 °F (-10 °C to 49 °C)

### Storage Temperature:

14 °F to 175 °F (-10 °C to 80 °C)

### Maximum Operating Altitude:

6,561 ft (2,000 m)

### Power Requirements:

100 to 240 VAC, 50 or 60 Hz

IN-MOTION  
WEIGHING

# MotoWeigh® Metal Detector

## Part Number/Price

Part #	Main Systems	Price
<b>Metal Detector with Conveyor</b>		
170695	Metal Detection System 8 in × 4 in head, 6 in × 60 in conveyor	\$55,405.00
170704	Metal Detection System 8 in × 6 in head, 6 in × 60 in conveyor	\$55,405.00
170705	Metal Detection System 8 in × 8 in head, 6 in × 60 in conveyor	\$55,405.00
170706	Metal Detection System 8 in × 10 in head, 6 in × 60 in conveyor	\$55,405.00
170707	Metal Detection System 8 in × 12 in head, 6 in × 60 in conveyor	\$55,405.00
170708	Metal Detection System 14 in × 6 in head, 12 in × 60 in conveyor	\$37,480.00
170709	Metal Detection System 14 in × 8 in head, 12 in × 60 in conveyor	\$37,480.00
170710	Metal Detection System 14 in × 10 in head, 12 in × 60 in conveyor	\$37,480.00
170711	Metal Detection System 14 in × 12 in head, 12 in × 60 in conveyor	\$37,480.00
170712	Metal Detection System 14 in × 14 in head, 12 in × 60 in conveyor	\$37,480.00
170713	Metal Detection System 20 in × 6 in head, 18 in × 72 in conveyor	\$43,390.00
170714	Metal Detection System 20 in × 8 in head, 18 in × 72 in conveyor	\$43,390.00
170715	Metal Detection System 20 in × 10 in head, 18 in × 72 in conveyor	\$43,390.00
170716	Metal Detection System 20 in × 12 in head, 18 in × 72 in conveyor	\$43,390.00
170717	Metal Detection System 20 in × 14 in head, 18 in × 72 in conveyor	\$43,390.00
170718	Metal Detection System 20 in × 16 in head, 18 in × 72 in conveyor	\$43,390.00
170719	Metal Detection System 20 in × 18 in head, 18 in × 72 in conveyor	\$43,390.00
170720	Metal Detection System 20 in × 20 in head, 18 in × 72 in conveyor	\$43,390.00
186290	Metal Detection System 26 in × 6 in head, 24 in × 84 in conveyor	\$48,640.00
170721	Metal Detection System 26 in × 8 in head, 24 in × 84 in conveyor	\$48,640.00
170722	Metal Detection System 26 in × 10 in head, 24 in × 84 in conveyor	\$48,640.00
170723	Metal Detection System 26 in × 12 in head, 24 in × 84 in conveyor	\$48,640.00
170724	Metal Detection System 26 in × 14 in head, 24 in × 84 in conveyor	\$48,640.00
170725	Metal Detection System 26 in × 16 in head, 24 in × 84 in conveyor	\$48,640.00
170726	Metal Detection System 26 in × 18 in head, 24 in × 84 in conveyor	\$48,640.00
170727	Metal Detection System 26 in × 20 in head, 24 in × 84 in conveyor	\$48,640.00

## Options/Accessories

Part #	Main Systems	Price
200804	Caster package, MotoWeigh set of 4 - 2 swivel and 2 fixed casters for MotoWeigh metal detection conveyors	\$2,310.00
186279	Information tower includes buzzer	\$1,500.00
186280	Remote electronics with up to 100 ft of cable	\$1,315.00
186281	AC power conditioner in NEMA Type 4X enclosure	\$3,040.00
186282	PLC module for Ethernet IP interface (factory installed only)	\$2,410.00
186284	Preventive kit	\$1,010.00
<b>Ferrous (Mild Steel) Test Wands</b>		
168370	1.0 mm ferrous (mild steel) test wand	\$19.25
168383	1.2 mm ferrous (mild steel) test wand	\$19.25
168384	1.5 mm ferrous (mild steel) test wand	\$19.25
168385	1.8 mm ferrous (mild steel) test wand	\$19.25
168386	2.0 mm ferrous (mild steel) test wand	\$19.25
168387	2.2 mm ferrous (mild steel) test wand	\$19.25
168388	2.5 mm ferrous (mild steel) test wand	\$19.25
168389	2.8 mm ferrous (mild steel) test wand	\$19.25
168390	3.0 mm ferrous (mild steel) test wand	\$19.25
168391	3.1 mm ferrous (mild steel) test wand	\$19.25
168392	3.25 mm ferrous (mild steel) test wand	\$19.25
168393	3.5 mm ferrous (mild steel) test wand	\$19.25
168394	4.0 mm ferrous (mild steel) test wand	\$19.25
168395	4.5 mm ferrous (mild steel) test wand	\$19.25

IN-MOTION  
WEIGHING

## Options/Accessories

Part #	Main Systems	Price
<b>Non-Ferrous (Brass) Test Wands</b>		
168411	1.0 mm non-ferrous (brass) test wand	\$19.25
168413	1.2 mm non-ferrous (brass) test wand	\$19.25
168414	1.5 mm non-ferrous (brass) test wand	\$19.25
168415	1.8 mm non-ferrous (brass) test wand	\$19.25
168416	2.0 mm non-ferrous (brass) test wand	\$19.25
168418	2.2 mm non-ferrous (brass) test wand	\$19.25
168420	2.5 mm non-ferrous (brass) test wand	\$19.25
168421	2.8 mm non-ferrous (brass) test wand	\$19.25
168422	3.0 mm non-ferrous (brass) test wand	\$19.25
168423	3.2 mm non-ferrous (brass) test wand	\$19.25
168424	3.5 mm non-ferrous (brass) test wand	\$19.25
168425	4.0 mm non-ferrous (brass) test wand	\$19.25
168426	4.5 mm non-ferrous (brass) test wand	\$19.25
168427	5.0 mm non-ferrous (brass) test wand	\$19.25
<b>316 Stainless Steel Test Wands</b>		
168428	1.5 mm 316 stainless steel test wand	\$19.25
168429	1.8 mm 316 stainless steel test wand	\$19.25
168430	2.0 mm 316 stainless steel test wand	\$19.25
168431	2.2 mm 316 stainless steel test wand	\$19.25
168432	2.5 mm 316 stainless steel test wand	\$19.25
168433	2.8 mm 316 stainless steel test wand	\$19.25
168434	3.0 mm 316 stainless steel test wand	\$19.25
168435	3.1 mm 316 stainless steel test wand	\$19.25
168436	3.4 mm 316 stainless steel test wand	\$19.25
168437	4.0 mm 316 stainless steel test wand	\$19.25
168438	4.5 mm 316 stainless steel test wand	\$19.25
168439	5.0 mm 316 stainless steel test wand	\$19.25
168440	5.5 mm 316 stainless steel test wand	\$19.25
168441	6.0 mm 316 stainless steel test wand	\$19.25
<b>Test Wand Kits</b>		
168445	Master kit (ferrous 1.0 to 4.5 mm, non-ferrous 1.0 to 5 mm, 316 stainless steel 1.5 to 6.0 mm)	\$1,500.00
168442	Ferrous kit (1.0 to 4.5 mm)	\$500.00
168443	Non-ferrous kit (1.0 to 5.0 mm)	\$500.00
168444	316 stainless steel kit (1.5 to 6.0 mm)	\$500.00

IN-MOTION  
WEIGHING

# MotoWeigh® Cascade Checkweigher

Gravity Drop Checkweigher



## Standard Features

### Software

- Single part drop detection (part outside of the bag)
- Statistical information
- Store up to 500 different products

### Hardware

- Mild steel construction
- Electrostatic dissipative powder coating
- 920i® wall mount
- Air regulator
- Bimba® air cylinders
- MAC® solenoid valves

## Options

- LED communication tower
- Audible alarm
- Draft shield

## Specifications

### Construction:

- Mild steel
- Stainless steel

### Capacity:

1.5 lb (680.4 g)

### Maximum Container Size:

(L x W x H)  
7.00 x 7.00 x 1.50 in

### Accuracy:

±0.00044 lb (0.2 g)

### Maximum Product Throughput:

45 parts per minute\*

### Cylinder Stroke:

1.75 in

\*Variable based on product size, cylinder stroke, and scale accuracy

## Part Number/Price

Part #	Main Systems	Price
212750	MotoWeigh Cascade Checkweigher and control panel mild steel	\$9,375.00
212751	MotoWeigh Cascade Checkweigher and control panel stainless steel	\$10,250.00

## Options/Accessories

Part #	Description	Price
185808	Red and green communication tower	\$775.00
186577	Red, green and alarm communication tower	\$950.00

IN-MOTION  
WEIGHING

# Motoweigh® Integrator



## Standard Features

### Software

- Four levels of security
- Real-time statistical information
- Product report
- Statistical report
- Parameter report
- User report
- Store up to 1,000 different products
- Five -zone classification
- Configurable reject output
- Conveyor control output

### Control Panel

- Stainless steel enclosure
- Panel mount
- 24 VDC power supply
- 16 Opto 22 relays
- Terminal blocks for easy wiring

## Options

- One, three or five -zone communication tower
- Audible alarm (non-washdown only)

## Specifications

### Construction:

Stainless steel

### Control Panel Size:

16 x 16 x 8 in

### Power Configuration:

115 to 230 VAC single phase, 50/60 Hz

## Part Number/Price

Part #	Main Systems	Price
206440	1280 panel mount with MotoWeigh software, with cord grips	\$7,600.00

## Options/Accessories

Part #	Description	Price
185803	Alarm communication tower	\$435.00
185804	Red communication tower	\$480.00
185805	Three-zone communication tower	\$1,120.00
185806	Three-zone and alarm communication tower	\$1,390.00
185807	Five-zone communication tower	\$1,540.00



AD-4961 Series Checkweigher



AD-4971 Metal Detector

	AD-4961-600-1224 Specifications	AD-4961-2KD-2035 Specifications	AD-4961-6K-3050 Specifications	AD-4971 Metal Detector Specifications
Capacity	600 g	500 g/2,000 g	6,000 g	N/A
Resolution	0.01 g	0.01 g/0.1 g	0.1 g	N/A
Accuracy	0.08 g	0.08 g/0.18 g	1.0 g	N/A
Construction	IP65 stainless steel construction with ABS resin display	IP65 stainless steel construction with ABS resin display	IP65 stainless steel construction with ABS resin display and stainless steel control box and base	IP65 stainless steel construction with ABS resin display
Aperture Sizes	N/A	N/A	N/A	From 13.7 in × 3.9 in to 17.7 in × 9.8 in
Display	7 in color touchscreen	7 in color touchscreen	7 in color touchscreen	7 in color touchscreen
Alarm	Included	Included	Included	Included
Configurations	Checkweigher or conveyor scale	Checkweigher or conveyor scale	Checkweigher or conveyor scale	Checkweigher or conveyor scale
Speed	Up to 240 ft per minute	Up to 240 ft per minute	Up to 240 ft per minute	Up to 196 ft per minute
Max Throughput	150 pcs per min	150 pcs per min	100 pcs per min	N/A
Belts	Food grade urethane belt	Food grade urethane belt	Food grade urethane belt	Food grade urethane belt
Belts Width	4.7 in	7.8 in	11.8 in	Model dependent
Conveyor Length	14.2 in	13.7 in	19.6 in	Model dependent
Recorded Items	1,000 items (ten groups x 100 items)	1,000 items (ten groups x 100 items)	1,000 items (ten groups x 100 items)	1,000 items
Communication	Modbus TCP, Modbus RTU, RS-232, Ethernet TCP/IP (PostScript Printer), USB (for PostScript Printer, USB memory, data storage, image import use)	Modbus TCP, Modbus RTU, RS-232, RS-485, Ethernet TCP/IP (PostScript Printer), USB (for PostScript Printer, USB memory, data storage, image import use)	Modbus TCP, Modbus RTU, RS-232, RS-485, Ethernet TCP/IP (PostScript Printer), USB (for PostScript Printer, USB memory, data storage, image import use)	Modbus TCP, Modbus RTU, Ethernet TCP/IP (PostScript Printer), USB (for PostScript Printer, USB memory, data storage, image import use)
Input/Output	External input for four non-voltage contact points External output for eight relay points	External input for four non-voltage contact points External output for eight relay points	External input for four non-voltage contact points External output for eight relay points	External input for four non-voltage contact points External output for eight relay points
Power Configuration	100 VAC-240 VAC (+10%/-15%) single phase, 50/60 Hz; 180 VA	100 VAC-240 VAC (+10%/-15%) single phase, 50/60 Hz; 180 VA	100 VAC-240 VAC (+10%/-15%) single phase, 50/60 Hz; 180 VA	100 VAC-240 VAC (+10%/-15%) single phase, 50/60 Hz; 180 VA
Operating Temperature	23°F to 104°F (-5°C to 40°C)	23°F to 104°F (-5°C to 40°C)	23°F to 104°F (-5°C to 40°C)	32°F to 104°F (0°C to 40°C)
External Dimensions	(L × W × H) 26 in × 23.7 in × 28.1 in-33.9 in	(L × W × H) 27.5 in × 25.9 in × 27.9 in-33.8 in	(L × W × H) 39.5 in × 28.9 in × 28.3 in-34.2 in	Model dependent

IN-MOTION WEIGHING



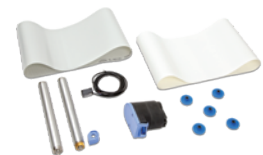
Breeze Break



Metal Detector



Tower Light



Maintenance Kit

# A&D Inspection AD-4961 Series

In-Motion Conveyor Scale, Checkweigher and Metal Detector

## Part Number/Price

AD-4961-600-1224 600g Checkweigher		
Part #	Checkweigher	Price
186317	EZICheck checkweigher 600 g	\$16,115.00
Part #	Rejector	Price
186318	EZICheck 600 g air jet reject with two nozzles	\$5,460.00
Part #	Options / Accessories	Price
186319	EZICheck 600 g breeze break	\$715.00
176622	CW extension leg kit - set of four (up to 40 in)	\$495.00
186320	Maintenance kit 600 g	\$2,695.00
203601	EZ caster package	\$1,825.00

Assembly is required

AD-4961-2K-2035 2 kg Checkweigher		
Part #	Checkweigher	Price
176605	EZICheck checkweigher 2 kg	\$17,050.00
Part #	Rejector	Price
176607	EZICheck 2 kg dual channel reject flipper	\$7,755.00
176610	Air jet rejector (two nozzles)	\$6,215.00
176608	EZICheck 2 kg single channel drop rejector	\$4,070.00
Part #	Options / Accessories	Price
176614	EZICheck-01 display stand	\$341.00
176612	Tower light 3 zone, must buy AD-4691-01	\$715.00
176615	EZICheck-11 upper breeze break	\$1,705.00
176617	EZICheck-12 lower breeze break	\$385.00
176618	2 kg transfer plate, single	\$175.00
176619	2 kg Product guides (infeed and conveyor), set of 2	\$770.00
176622	CW extension leg kit - set of four (up to 40 in)	\$495.00
179427	Maintenance kit 2 kg	\$3,210.00
192920	Conveyor connection kit	\$51.00
203601	EZ caster package	\$1,825.00

Assembly is required

AD-4961-6K-3050 6 kg Checkweigher		
Part #	Checkweigher	Price
176606	EZICheck checkweigher 6 kg	\$20,750.00
Part #	Rejector	Price
176609	EZICheck 6 kg push ram rejector	\$9,750.00
Part #	Options / Accessories	Price
176614	EZICheck-01 display stand	\$341.00
215272	6 kg product guides, set of 2 (infeed or conveyor)	\$1,210.00
215274	6 kg breeze break	\$2,930.00
176612	Tower light 3 zone, must buy AD-4691-01	\$715.00
176622	CW extension leg kit - set of four (up to 40 in)	\$495.00
186322	Maintenance kit 6 kg	\$3,135.00
203601	EZ caster package	\$1,825.00

Assembly is required

AD-4971 Metal Detector		
Part #	Main Systems	Price
186325	AD-4971-3510 Metal Detector – 100 mm height and 350 mm aperture	Consult
186326	AD-4971-3517 Metal Detector – 170 mm height and 350 mm aperture	Consult
186327	AD-4971-3525 Metal Detector – 250 mm height and 350 mm aperture	Consult
186328	AD-4971-4517 Metal Detector – 170 mm height and 450 mm aperture	Consult
186329	AD-4971-4525 Metal Detector – 250 mm height and 450 mm aperture	Consult
Part #	Options / Accessories	Price
186330	EZICheck Metal Detector tower light	\$850.00
176622	CW extension leg kit - set of four (up to 40 in)	\$495.00
186331	Maintenance kit for AD-4971-3510, AD-4971-3517, AD-4971-3525 metal detectors	\$2,365.00
186332	Maintenance kit for AD-4971-4517, AD-4971-4525 metal detectors	\$2,585.00
203601	EZ caster package	\$1,825.00

IN-MOTION  
WEIGHING



### Standard Features

- Integrated overload protection
- 4 load cell system
- Mild steel powder-coated frame
- Non- powder-coated rollers
- Consult factory for custom sizes/capacities

### Specifications

**Dimensions:**

(L × W × H)

54 × 36 × 30 in with +/- 2.5 in height adjustment

**Capacity:**

100 × 0.05 lb

### Part Number/Price

Part #	Description	Price
201732	MotoWeigh roller top scale	\$6,400.00

\* For 880/880 Plus specifications please see page 512

