

MSI-4260C

Front Casting Assembly



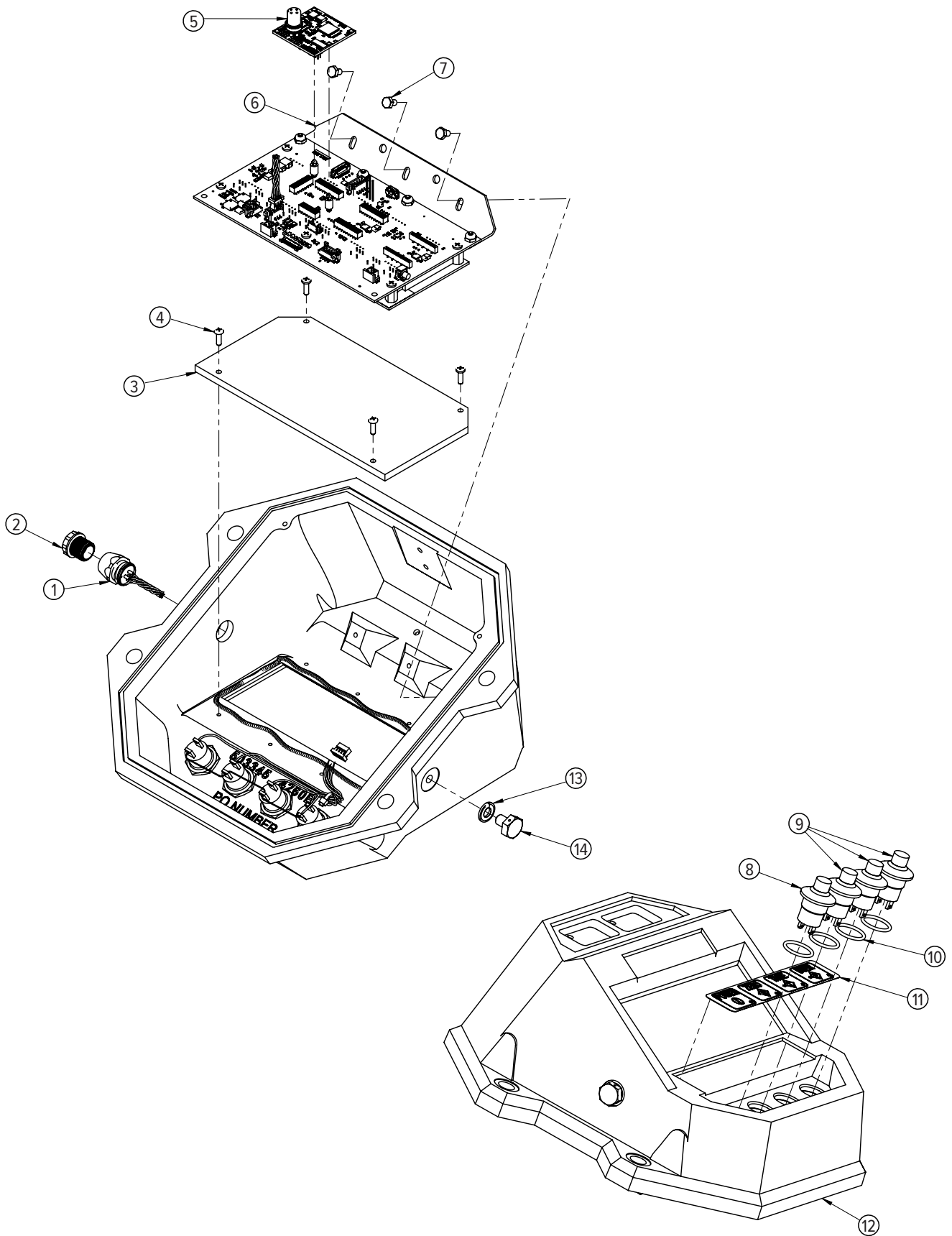
Part Number/Price

Item #	Part #	Description	Price
1	139449	Cable assembly comm serial data RS-232	Consult
2	143352	Conn closure cap IP68 male	Consult
3	200270	Window LED	Consult
4	128140	Screw, machine 4-40 x 3/8 Phillips pan head 18-8 stainless steel	Consult
5	153429	PCA ScaleCore3 1-channel	Consult
6	199849	Display assembly	Consult
7	146022	Bolt HH 6-32 x 1/4 cap stainless steel	Consult
8	147562	Switch P3-31111W watertight red	Consult
9	147563	Switch P3-31112W watertight black	Consult
10	146251	O-ring 70 durometer	Consult
11	149506	Label switch	Consult
12	149481	Front casting and machining	Consult
13	142472	Washer seal Stat-O-Seal® 1/4 in	Consult
14	142209	Screw seal hex stainless steel 1/4-20	Consult

REPLACEMENT PARTS

MSI-4260C

Front Casting Assembly



REPLACEMENT PARTS

MSI-4260C

Mid-Section Assembly (S-Beam Load Cell) (500 to 10,000 lb)



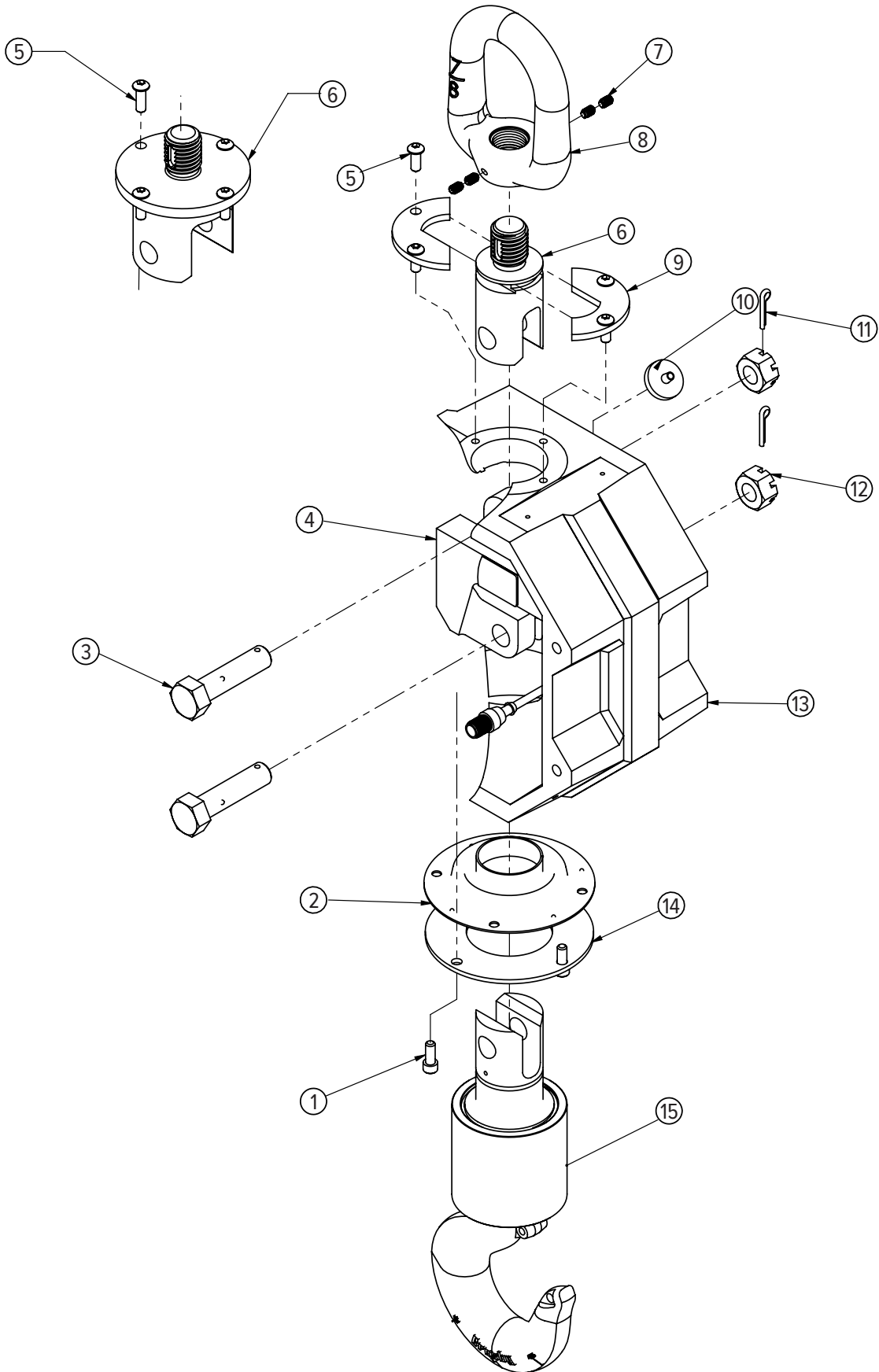
Part Number/Price

Item #	Part #	Description	Price
1	145990	Screw socket head 1/4-20 x 5/8 stainless steel	Consult
2	149710	Seal link lower	Consult
3	148457	Bolt clevis hex head 5/8 x 1.75 grip with thread protectors	Consult
	149217	Bolt clevis hex head 5/8 x 2.75 grip with thread protectors	Consult
4	138661	Load cell assembly 500 lb s-beam	Consult
	138662	Load cell assembly 1K/2K s-beam	Consult
	138663	Load cell assembly 5K s-beam	Consult
	138664	Load cell assembly 10K s-beam	Consult
5	72031	Screw, cap 1/4-20NC x 5/8 hex socket button head stainless steel	Consult
6	148271	Upper link 500#/10K	Consult
7	128799	Screw, set 1/4-20 x 3/8 socket head cup point 18-8 stainless steel	Consult
8	139795	Eye nut #7 500# - 2K	Consult
	148225	Eye nut 5/10K	Consult
9	148274	Collar top half 500#/10K	Consult
10	146322	Filter millipore	Consult
11	15238	Pin, cotter 1/8 x 1 extended prong stainless steel	Consult
12	142832	Nut hex slotted 5/8 - 11	Consult
13	149175	Casting mid section 5K	Consult
14	148259	Collar 500#/10K	Consult
	149168	Collar 10K s-beam 9300	Consult
15	135043	Swivel hook assembly 500#/2K	Consult
	143236	Latch safety assembly 500#/2K	Consult
	134523	Swivel hook assembly 5/10K s-beam	Consult
	143233	Latch safety assembly 5/10K	Consult

REPLACEMENT PARTS

MSI-4260C

Mid-Section Assembly (S-Beam Load Cell) (500 to 10,000 lb)



REPLACEMENT PARTS

MSI-4260C

Mid-Section Assembly (20,000 to 30,000 lb)



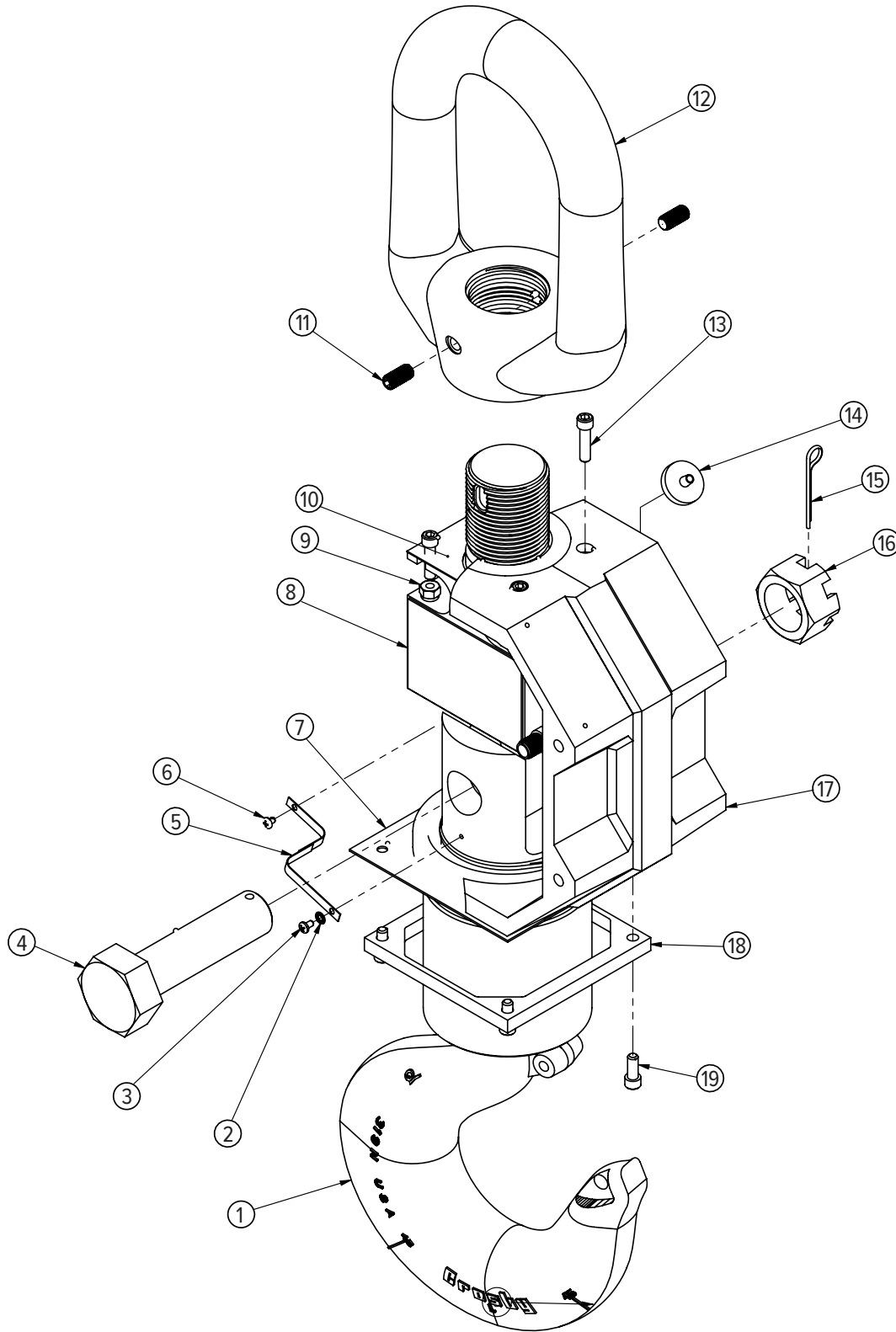
Part Number/Price

Item #	Part #	Description	Price
1	134938	Swivel hook assembly 20K	Consult
	134939	Swivel hook assembly 30K	Consult
	110661	Latch assembly 20K	Consult
	143235	Latch assembly 30K	Consult
2	81280	Washer, lock no 6 type A	Consult
3	146601	Screw ph 6-32 x 1/4 phil	Consult
4	148458	Bolt clevis hex head 1.125-4 x 4.2 grip with thread protectors	Consult
5	139843	Ground strap cable	Consult
6	146101	Screw ph 6-32 x 3/16 type	Consult
7	149957	Boot lower 20 to 70K	Consult
8	137763	Load cell assembly 20/30K standard	Consult
9	146631	Nut hex 1/4-20 nyloc stainless steel	Consult
10	149976	Gasket upper 20/30K Port-A-Weigh gasket	Consult
11	146081	Screw set 3/8-24 x 3/4 cup point stainless steel	Consult
12	148110	Eye nut 20/30K galvanized	Consult
13	81405	Screw, socket head 1/4-20 UNCx1 18-8 stainless steel	Consult
14	146322	Filter millipore	Consult
15	142186	Cotter pin 3/16 x 2 stainless steel	Consult
16	142833	Nut hex slotted 1.125 - 7 zinc plated	Consult
17	150523	Mid-section machined 20/30K	Consult
18	149958	Collar bottom 20 to 50K	Consult
19	145990	Screw socket head 1/4-20 x 5/8 stainless steel	Consult

REPLACEMENT PARTS

MSI-4260C

Mid-Section Assembly (20,000 to 30,000 lb)



REPLACEMENT PARTS

MSI-4260C

Mid-Section Assembly (50,000 to 70,000 lb)



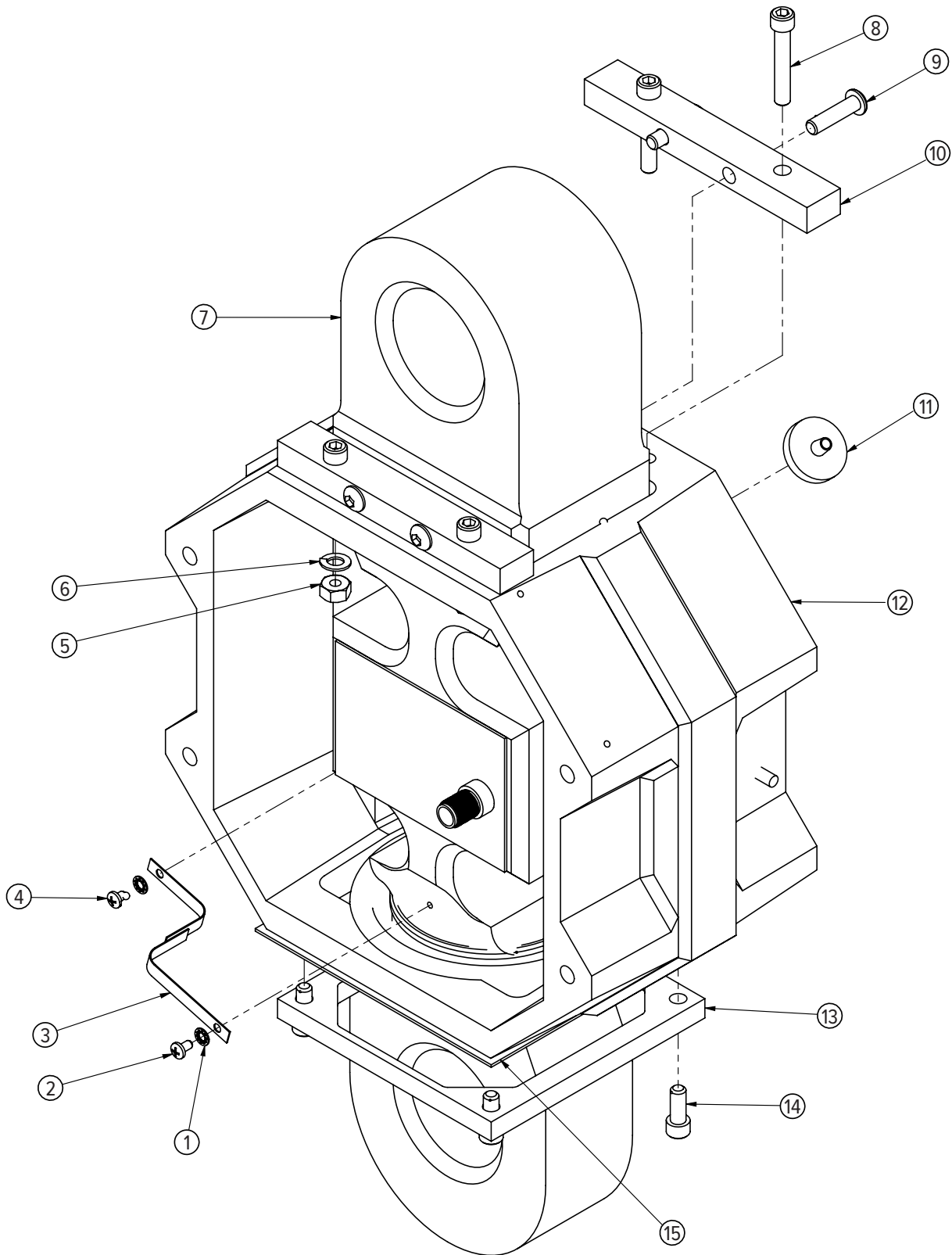
Part Number/Price

Item #	Part #	Description	Price
1	81280	Washer, lock no 6 type A	Consult
2	146601	Screw ph 6-32 x 1/4 phil	Consult
3	139843	Ground strap cable	Consult
4	146101	Screw ph 6-32 x 3/16 type	Consult
5	14642	Nut, 1/4-20NC hex stainless steel	Consult
6	15148	Washer, lock 1/4 regular	Consult
7	137764	Load cell assembly 50/70K standard	Consult
8	117599	Screw, cap 1/4-20NC x 1-1/2 hex socket head 18-8 stainless steel	Consult
9	145982	Screw button head 1/4-20 x 1 stainless steel socket head	Consult
10	148213	Collar top 50/100K	Consult
11	146322	Filter millipore	Consult
12	150525	Mid-section machined 50/100K	Consult
13	149958	Collar bottom 20 to 50K	Consult
14	145990	Screw socket head 1/4-20 x 5/8 stainless steel	Consult
15	149957	Boot lower 20 to 70K	Consult
Not Shown			
	135035	Hook, swivel, 50,000 lb	Consult
	142179	Latch, safety (fits 135035 hook)	Consult
	135036	Hook, swivel, 70,000 lb	Consult
	142180	Latch, safety (fits 135036 hook)	Consult
	151356	Shackle, 25T, 50,000 lb	Consult
	146335	Shackle, 40T, 70,000 lb	Consult

REPLACEMENT PARTS

MSI-4260C

Mid-Section Assembly (50,000 to 70,000 lb)



REPLACEMENT PARTS

MSI-4260C

Battery Casting Assembly



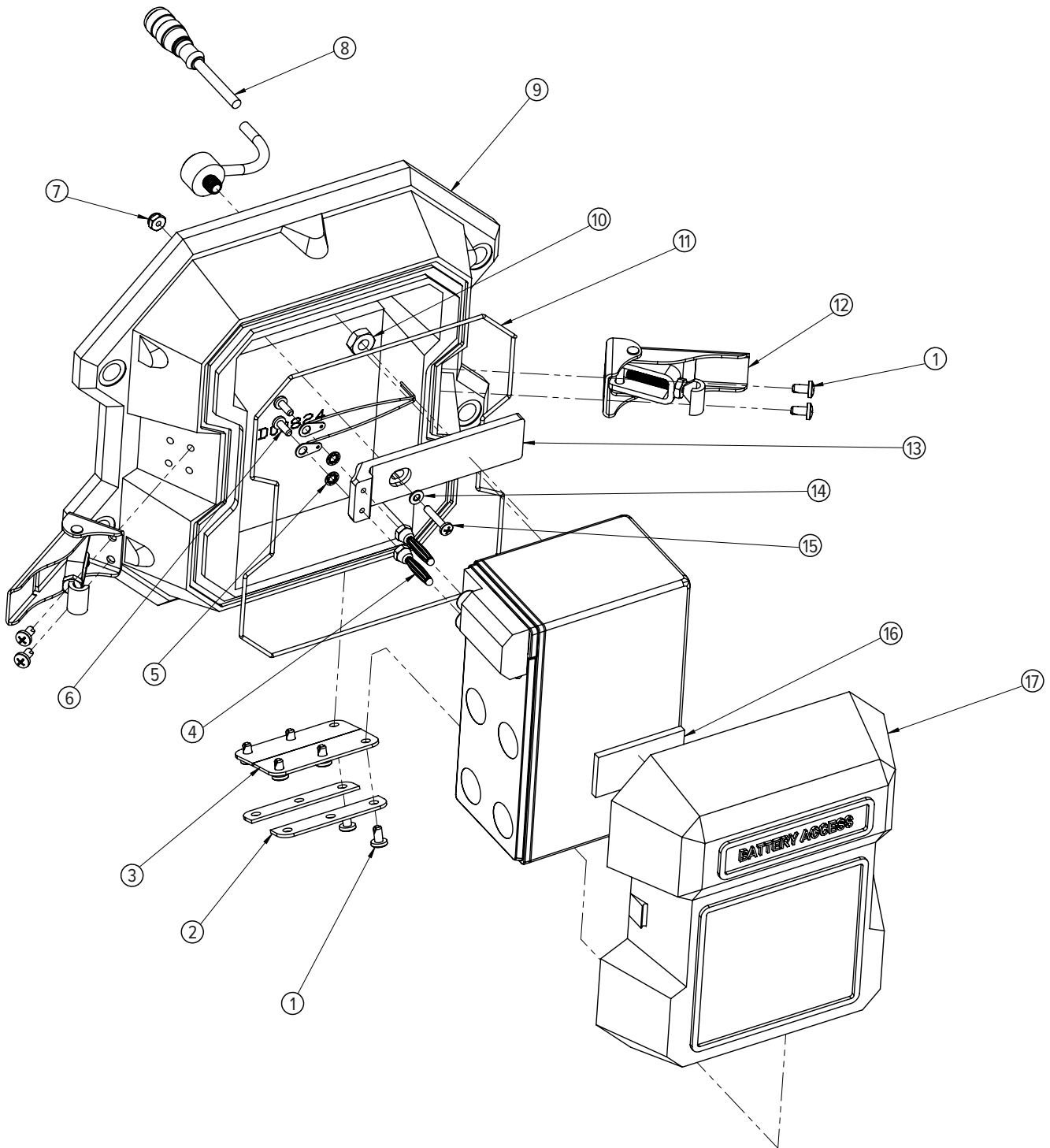
Part Number/Price

Item #	Part #	Description	Price
1	146108	Screw ph 8-32 x 3/8 type	Consult
2	149718	Plate aluminum battery door	Consult
3	149719	Fastener battery door rubber	Consult
4	147825	Plug banana jack	Consult
5	81280	Washer, lock no 6 type A	Consult
6	146603	Screw ph 6-32 x 3/8 phil	Consult
7	146627	Nut hex 6-32 nyloc stainless steel	Consult
8	133798	Cable assembly power molded feed through	Consult
9	150517	Battery well machined with o-ring	Consult
10	146661	Nut hex 5/16-18 jam stainless steel	Consult
11	149723	O-ring assembly battery well casting	Consult
12	145934	Latch camloc	Consult
13	150073	Conn block	Consult
14	55124	Washer, flat #6 cres	Consult
15	127036	Screw, machine 6-32 x 3/4 Phillips pan head 18-8 stainless steel	Consult
16	146640	Pad poron 2.0 x 1.0	Consult
17	150516	Battery door machined	Consult

REPLACEMENT PARTS

MSI-4260C

Battery Casting Assembly



REPLACEMENT PARTS

MSI-4260C

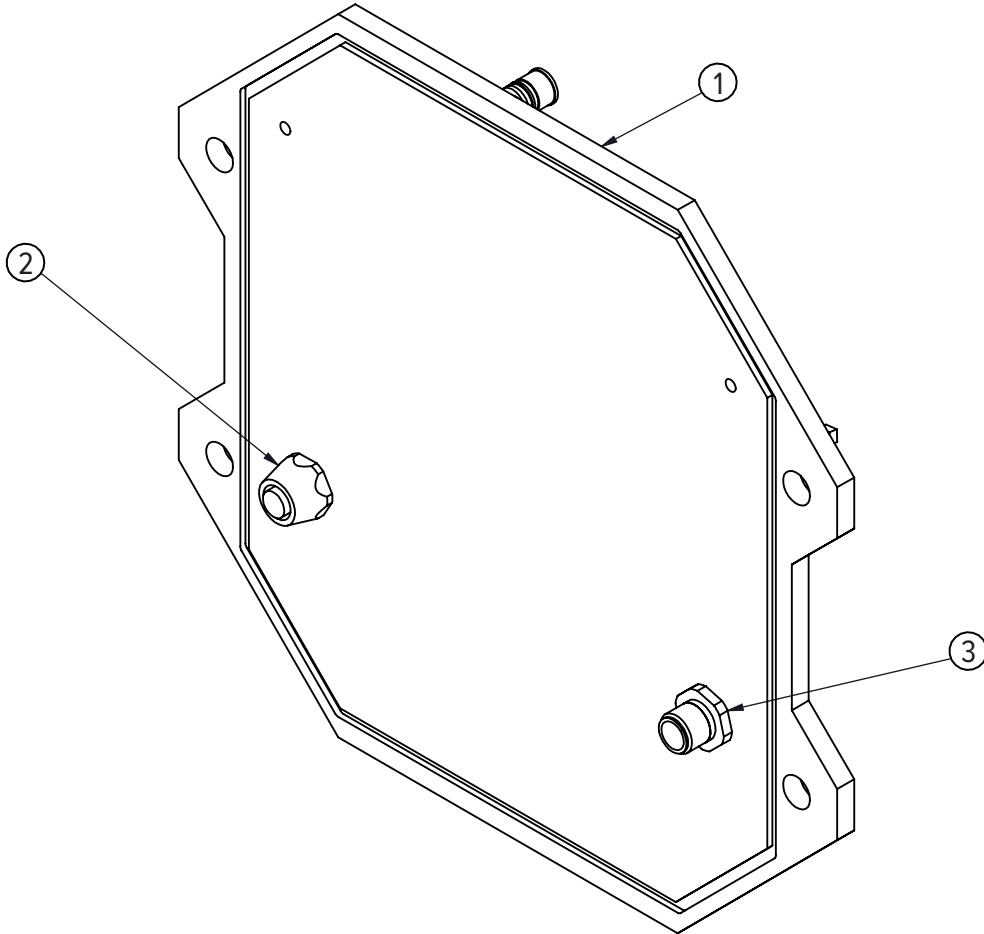
Bulkhead Assembly



Part Number/Price

Item #	Part #	Description	Price
1	149469	Bulkhead	Consult
2	139471	Cable assembly bulkhead load cell 12.0 in	Consult
3	139472	Cable assembly bulkhead power 12.0 in	Consult

REPLACEMENT PARTS



REPLACEMENT PARTS