

RL-MPS-10 Mechanical Physician Scale

Lb Only

Specifications

Capacity:

450 lb x 4 oz

Platform Dimensions:

(W x L x H) 10.75 in x 14.75 in x 4.125 in

Height Rod:

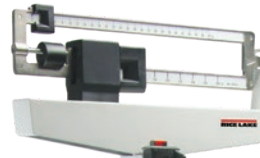
24-84 in

Height Division:

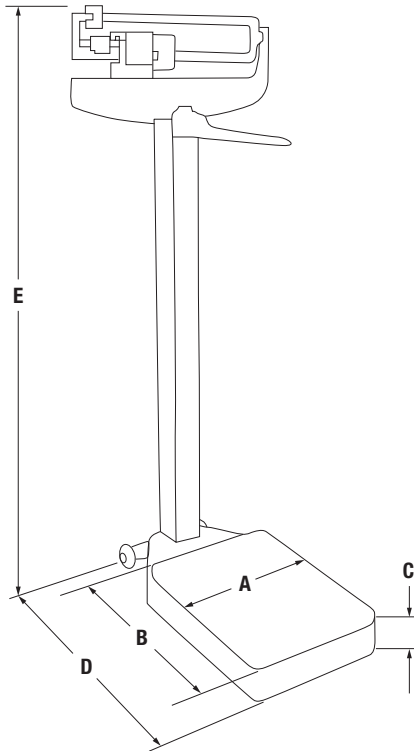
0.125 in

Warranty:

Two-year limited warranty



Model RL-MPS-10



Standard Features

- Sturdy, enameled steel body
- Painted beam
- Rugged scale understructure
- Durable wheels for easy transport
- Easy operation with two sliding weights
- Removable slip-resistant scale base cover
- Aluminum height rod measures from 24 to 84 inches

Part Number/Price

Part #	Model #	Capacity	Price
124223	RL-MPS-10	450 lb x 4 oz	Consult

Shipping Weight

Part #	Model #	L (in)	W (in)	H (in)	Package Wgt. (lb)	Dim Wgt. (lb)	Shipping Wgt. (lb)
124223	RL-MPS-10	60	21	7	42	64	64

Dimensions

	Inches	Centimeters
A	10.8	27.4
B	14.8	37.6
C	4.1	10.4
D	22.3	56.6
E	58.5	148.6