

Precision Industrial Weighing

TABLE OF CONTENTS

Precision Industrial Weighing	823
RICE LAKE	
Definity™ Series	824
<i>Industrial Precision Scale</i>	
MINEBEA INTEC	
Midrics® Series	825
<i>Complete Scale</i>	
Midrics® 2 Series	826
<i>Complete Scale</i>	
Combics® 2	827
<i>Complete Scale</i>	
Midrics® 1 and 2 Series	828
<i>Digital Weight Indicator</i>	
Signum Series	829
<i>Complete Scale</i>	
Combics® 1	831
<i>Digital Weight Indicator</i>	
Combics® 2	832
<i>Digital Weight Indicator</i>	
Combics® 3	833
PURO® SmallFlat	834
<i>Compact Single Display Scale</i>	
PURO® LargeFlat	835
<i>Compact Single Display Scale</i>	
PURO® SmallTall	836
<i>Compact Dual Display Scale</i>	
PURO® LargeTall	837
<i>Compact Dual Display Scale</i>	
PURO® LargeCount	838
<i>Counting Scale</i>	
Combics®	839
<i>Bench and Floor Platform Scales</i>	
IF Series	840
<i>Painted Steel Platform Scale</i>	
IF Series	842
<i>Stainless Steel Platform Scale</i>	
IS Series	844
<i>Industrial Scale Weighing Platform (not intrinsically safe)</i>	
Signum® EX Supreme	845
<i>Explosion-proof Bench Scale</i>	
Combics® 2 Ex	846
<i>Explosion-proof Digital Weight Indicator</i>	
Combics®	847
<i>Explosion-proof Bench and Platform Scales</i>	
IF Series	848
<i>Explosion-proof Platform Scales</i>	
Inteco	850
<i>Zinc-plated Steel Star Mount Kits</i>	
Inteco	851
<i>Stainless Steel Star Mount Kits</i>	
PR6202	852
<i>Hygienic Weigh Module Kits</i>	
Contego-Hygienic Weigh Module Kits	853
<i>Lateral Cable Outlet</i>	
PR5220 TCP/IP Ethernet Transmitter	854
PR5230 Fieldbus Transmitter	855
DIGI® DSX-1000	856
<i>High-precision Checkweigher</i>	

Product names, logos, brands and other trademarks featured or referred to within this publication are the property of their respective trademark holders.

Definity™ Series

Industrial Precision Scale



PRECISION INDUSTRIAL WEIGHING

Standard Features

- Full color touchscreen
- Multi-language software
- Built-in three-way control light
- Integrated touchscreen QWERTY keyboard
- Single load cell
- Connect up to three additional analog bases
- Onboard 1MB database memory
- USB-C communication port for configuration, diagnostics and data backup
- Instrument calibration with numeric values
- NTEP (pending) for non-counting applications
- Myrias® software integration (see module section)
- GoDEX® printer compatibility
- Bar code scanner compatibility

Part Number/Price

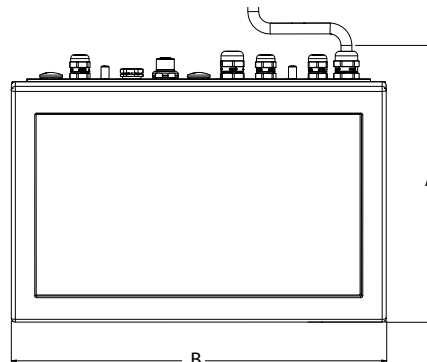
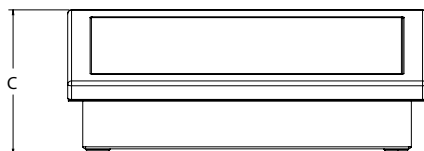
Part #	Dimensions	Certified Capacity Readability	Capacity	Readability	Est. Weight	Price
212456	12 x 14 in	10 × 0.001 kg 20 × 0.002 lb	14 kg 35 lb	0.0002 kg 0.0005 lb	30 lb	Consult
212457	12 x 14 in	20 × 0.002 kg 50 × 0.005 lb	35 kg 70 lb	0.0005 kg 0.001 lb	30 lb	Consult
212458	12 x 14 in	50 × 0.005 kg 100 × 0.01 lb	70 kg 140 lb	0.001 kg 0.002 lb	30 lb	Consult

Options/Accessories

Part #	Description	Price
Consult	Desk Mount	Consult
Consult	Column	Consult
Consult	Ethernet TCP/IP/UDP	Consult
Consult	Myrias Counting Module	Consult
Consult	Rice Lake Tools Software	N/C

Dimensions

Definity Series			
A	8.10 in (206 mm)	C	4.40 in (112 mm)
B	11.00 in (279 mm)		



Specifications

Power :

100 to 240 VAC, 50/60 Hz

Power Consumption:

Indicator and integrated base: 5.3 W
Indicator with integrated base and an external load cell connected to the scale card: 5.5 W
Full power supply capacity: 25 W

Excitation Voltage:

5V, 1 × 350 ohm load cell

Additional Analog Base:

Excitation Voltage 5V

Analog Signal Input Range:

0 mV to +40 mV

Analog Signal Sensitivity:

Minimum 0.3µ V/e graduation

A/D Sample Rate:

Integrated scale base: fixed sample rate, 6 Hz
External analog bases: 6 to 3200 Hz, software selectable

Readability (Integrated Scale):

Up to 70,000 scale divisions

System Linearity:

Within 0.01% full scale

User Programs:

Static weighing, static checkweighing and counting

Digital I/O:

Four configurable outputs (5 V logic)
Two configurable inputs (5 V logic)

Communication Ports:

Two RS-232 (three-wire)
One RS-485/422 (two-wire)
One UCB-C (device)
One USB Host Type-A
Three four-wire load cell connections
One six-wire load cell connection

Annunciators:

Zero, Stable, Gross, Net, Tare

Display:

5.7 in LCD full color touchscreen

Character Height:

Up to 3 mm

Keys/Buttons:

15-key alphanumeric keyboard

Cable Length:

8.2 ft (2.5 m)

Dimensions (W x H x D):

Indicator: 11 × 4.4 × 8.1 in
(279.40 × 111.76 × 205.74 mm)
Platform: 14.58 × 4.3 × 11.91 in
(370.33 × 109.22 × 302.51 mm)

Temperature Range:

Certified: 14° F to 104° F (-10° C to 40° C)
Operating: 14° F to 122° F (-10° C to 50° C)

Rating/Material:

Rating: IP67
Indicator Enclosure: AISI 304 stainless steel
Base: Cast aluminum base and machined aluminum weigh platter
Top Cover: AISI 304 stainless steel

Weight:

23.24 lb (10.54 kg)

Warranty:

Two-year limited, pending evaluation

Approvals:

NTEP (pending)
Measurement Canada (pending)
UL Listed (pending)



Standard Features

- Four adjustable feet, level indicator on LCE and NCE
- MIS1, UR 20 mm LCD indicator

Specifications

Power Supply:

100 to 200 VAC, 50/60 Hz

Readability:

15,000 scale intervals

Cable Length:

2.5 m (8.2 ft)

IP Rating:

IP65

Warranty:

Two-year limited, pending evaluation

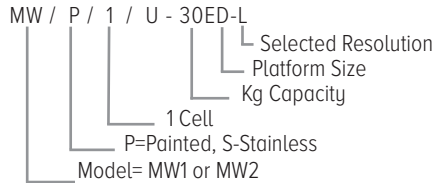
Part Number/Price

Part #	Minebea Part #	Dimensions	Capacity	Readability	Est. Weight	Price
103668	MW1P1U-6DC-L	12.5 × 9.5 in	6 kg	0.5 g	22 lb	\$2,002.00
103669	MW1P1U-15DC-L	12.5 × 9.5 in	15 kg	1 g	24 lb	\$1,969.00
103670	MW1P1U-30ED-L	15.75 × 11.8 in	30 kg	2 g	24 lb	\$2,123.00
103671	MW1P1U-60ED-L	15.75 × 11.8 in	60 kg	5 g	24 lb	\$2,178.00
103672	MW1P1U-60FE-L	19.5 × 15.75 in	60 kg	5 g	22 lb	\$2,431.00

Options/Accessories

Part #	Minebea Part #	Description	Price
171727	YDH12CWSUS	Holder base mount for ED base	\$176.00
Consult	Consult	Stainless steel column	Consult
105607	YDH02CISUS	Wall-mount bracket, SST, tiltable	\$143.00
193048	YDC01SW	Indicator dust cover pack of two	\$121.00
Consult	YBP03CIS	Base for installing floor mounted option, SST	\$205.00
Consult	YAS03MI	Indicator panel mount option	\$196.00

Custom Part No. Configuration



Capacities

- 6 kg × 0.5g
- 15 kg × 1g
- 30 kg × 2g
- 60 kg × 5g

Platform Sizes

- DC = 12.5 × 9.5 in
- ED = 15.75 × 11.8 in
- FE = 19.5 × 15.75 in

PRECISION INDUSTRIAL WEIGHING



Standard Features

- Four adjustable feet, level indicator on LCE and NCE
- Midrics 2 with 10-key touchpad and application programs

Applications

- Counting, checkweighing, classification, totalizing, net-total formulation, animal weighing, percent weighing, neutral measurement

Specifications

Power Supply:

100 to 200 VAC, 50/60 Hz

Readability:

15,000 scale intervals

Cable Length:

3 m (10 ft)

Rating/Material:

Painted: IP65

Stainless steel: IP67/IP68

Warranty:

Two-year limited, pending evaluation

Part Number/Price

Part #	Minebea Part #	Dimensions	Capacity	Readability	Est. Weight	Price
Mild Steel with MIS2-U						
156428	MW2P1UE-10CC-I	10 × 10 in	15 lb (6 kg)	0.0005 lb (0.0002 kg)	18 lb	\$2,123.00
156429	MW2P1UE-50DD-I	12 × 12 in	60 lb (30 kg)	0.002 lb (0.001 kg)	22 lb	\$2,255.00
156430	MW2P1UE-100EE-I	18 × 18 in	150 lb (60 kg)	0.005 lb (0.002 kg)	63 lb	\$2,942.50
156431	MW2P1URE-250GG-I	24 × 24 in	300 lb (150 kg)	0.01 lb (0.005 kg)	118 lb	\$5,335.00
Stainless Steel with MIS2-U						
156432	MW2S1UE-10CC-I	10 × 10 in	15 lb (6 kg)	0.0005 lb (0.0002 kg)	18 lb	\$2,997.50
156433	MW2S1UE-50DD-I	12 × 12 in	60 lb (30 kg)	0.002 lb (0.001 kg)	22 lb	\$2,860.00
156434	MW2S1UE-100EE-I	18 × 18 in	150 lb (60 kg)	0.005 lb (0.002 kg)	63 lb	\$3,437.50
156435	MW2S4URE-250GG-I	24 × 24 in	300 lb (150 kg)	0.01 lb (0.005 kg)	118 lb	\$8,717.50

Options/Accessories

Part #	Minebea Part #	Description	Price
156440	YDH01CWSUS	Post mount assembly for 10 × 10 in platforms, 13 in high	\$390.50
156441	YDH02CWSUS	Post mount assembly for 12 × 12 in platforms, 19 in high	\$401.50
156442	YDH03CWSUS	Post mount assembly for 18 × 18 in platforms, 29 in high	\$473.00
193048	YDC01SW	Indicator dust cover pack of two	\$121.00



Shown with optional post mount assembly

Part Number/Price

Part #	Minebea Part #	Dimensions	Capacity	Readability	Est. Weight	Price
Mild Steel with CAISL2-U						
156409	CAW2P1U-10CC-I	10 × 10 in	15 lb (6 kg)	0.0005 lb (0.0002 kg)	20 lb	\$2,750.00
156414	CAW2P1U-50DD-I	12 × 12 in	60 lb (30 kg)	0.002 lb (0.001 kg)	24 lb	\$2,887.50
156420	CAW2P1U-100EE-I	18 × 18 in	150 lb (60 kg)	0.005 lb (0.002 kg)	65 lb	\$3,382.50
156423	CAW2P1U-250GG-I	24 × 24 in	300 lb (150 kg)	0.01 lb (0.005 kg)	120 lb	\$5,582.50
Stainless Steel with CAIS2-U						
156424	CAW2S1U-10CC-I	10 × 10 in	15 lb (6 kg)	0.0005 lb (0.0002 kg)	22 lb	\$3,630.00
156425	CAW2S1U-50DD-I	12 × 12 in	60 lb (30 kg)	0.002 lb (0.001 kg)	30 lb	\$3,850.00
156426	CAW2S1U-100EE-I	18 × 18 in	150 lb (60 kg)	0.005 lb (0.002 kg)	68 lb	\$4,675.00
156427	CAW2S4UR-250GG-I	24 × 24 in	300 lb (150 kg)	0.01 lb (0.005 kg)	127 lb	\$9,225.00

CAW2P are an IP65 mild steel base with an IP44 indicator

CAW2S are an IP67 stainless steel base with an IP69K indicator

Options/Accessories

Part #	Minebea Part #	Description	Price
156440	YDH01CWSUS	Post mount assembly for 10 × 10 in platforms, 13 in high	\$390.50
156441	YDH02CWSUS	Post mount assembly for 12 × 12 in platforms, 19 in high	\$401.50
156442	YDH03CWSUS	Post mount assembly for 18 × 18 in platforms, 29 in high	\$473.00
171727	YDH12CWSUS	Bench mount bracket	\$176.00
105607	YDH02CISUS	Tilttable wall mount bracket	\$143.00
Consult	69CW0126	Power supply	Consult

Standard Features

- Amber backlit LCD display, 0.8 in, 13 segment
- External calibration routine
- RS-232C
- Numeric keypad (with two IDs) for entering identifier codes and preset tares
- Info key for quick and easy display of tare input and ID codes
- Date/time fully integrated
- Three built-in LED checkweighing lights
- Bar graph weighing range indicator
- Optional bar code scanner for preset tare, reference weight and ID entry
- Stored customer-specific data records
- Two scale connections, analog or digital

Applications

- Counting, checkweighing, differential weighing, percentage weighing, totalizing, net-total, animal weighing, neutral measurement

Specifications

Supply Voltage:

9 V

Power Requirements:

120 to 240 VAC, 17 W (23 VA maximum)

Indicator Housing:

AISI 304 stainless steel

Indicator Dimensions:

(L × W × H)
 11.9 × 7.4 × 3.5 in
 (302.3 × 188 × 89 mm)

Temperature:

Operating:
 14 °F to 104 °F (-10 °C to 40 °C)

Cable Length:

3 m (10 ft)

Warranty:

Two-year limited, pending evaluation

PRECISION
 INDUSTRIAL WEIGHING

Midrics® 1 and 2 Series

Digital Weight Indicator



Approvals



Part Number/Price

Part #	Minebea Part #	Description	Price
155855	MIS1UR-V1	Midrics 1, wall bracket (table top versions with U bracket)	\$940.50
155857	MIS1U-L9	Midrics 1, wall bracket, internal battery pack	\$1,298.00
155856	MIS2UR-V2	Midrics 2, wall bracket (table top versions with U bracket)	\$1,056.00
155859	MIS2U-L9	Midrics 2, wall bracket, internal battery pack	\$1,419.00

Options/Accessories

Part #	Minebea Part #	Description	Price
155860	YD001M-232CLK	Replacement RS-232 interface and clock	\$335.50
103044	YDA01M-20MA	Analog current output, 0-20 mA, 4-20 mA, 0-10 V (16-bit)	\$770.00
155805	YCC01-USBM2	Connecting cable from RS-232 to USB connector, 2 m	\$330.00
155806	YCC02-D25F6	Connecting cable for accessories 25-pin D-SUB female	\$352.00
Consult	YAS03-M1	Panel mount option	Consult
193048	YDC01SW	Dust cover pack of two	\$121.00
171727	YDH12CWSUS	Bracket, bench mount for DC, ED, and FE	\$176.00

Standard Features

- Amber backlit 14-segment, 20 mm LCD display
- Wall-mount bracket
- Time and date
- RS-232 and clock (V1 and V2 models only)
- Midrics 2 numerical keyboard

Applications

- Counting, checkweighing, sorting (3 or 5 classes), totalizing, net-total, animal weighing, weighing in percent, neutral measurement

Options

- 4 to 20 mA

Specifications

Load Cell Connection:

Excitation voltage 8.4 V
4 or 6 conductor

Power Requirements:

100 to 240 VAC (-15/10) 50/60 Hz, Max 17 W/23 VA

Power Cord:

3 m (10 ft)

Rating/Material:

IP65
304 stainless steel enclosure

Dimensions:

(L × W × H)
9.37 × 6.50 × 3.70 in
(238 × 165 × 94 mm)

Temperature:

Operating:
14 °F to 104 °F (-10 °C to 40 °C)

Net Weight:

5 lb (2.3 kg)

Warranty:

Two-year limited, pending evaluation

Approvals:

NTEP Class III

PRECISION INDUSTRIAL WEIGHING



Standard Features

- Compact scale built as custom
- Three indicator models: 6, 14 or 28 keys
- Three weighing technologies: load cell, mechatronic or monolithic
- Resolution 35,000 to 350,000 d
- Built-in motorized calibration weight (Signum Supreme)
- RS-232 output

Specifications

Power:

Multi-range, 110 to 240 V

Temperature:

Operating: 14 °F to 104 °F (-10 °C to 40 °C)

Measurement Technology:

SIWRDCP-Load cell signum regular
 SIWADCP-Mechatronic cell-advanced
 SIWSDCP-Monolithic-supreme

Rating/Material:

IP65
 Painted steel frame with a stainless steel cover

Cable Length:

Display: 6 ft (1.83 m) approximately

Platform Size:

13.8 × 9.5 in (351 × 241 mm)

Warranty:

Two-year limited, pending evaluation

Weighing Technology	Indicator Options	Capacity	Readability	Included
SIWRDCP (Load Cell)	Applications level 1 - Tare, Zero, Weight Toggle	3, 6, 15, 35, and 60 kg	30,000 d	IP65, RS-232, detachable display
SIWADCP (Temperature Compensated Load Cell)	OR	7, 16, 35 and 65 kg	70,000 d	IP65, RS-232
SIWSDCP (Monolithic)	Application level 3 - Tare, Zero, Counting, Checkweighing, IDs	6, 16 and 35 kg	160,000 to 600,000 d	IP65, RS-232, detachable display

PRECISION INDUSTRIAL WEIGHING

Signum Series

Complete Scale

Part Number/Price

Part #	Minebea Part #	Dimensions	Application Level	Capacity	Readability	Est. Weight	Price
103665	SIWADCP-V3	13.7 × 9.5 in	1	7 kg	0.1 g	29 lb	\$3,355.00
103666	SIWADCP-V4	13.7 × 9.5 in	3	7 kg	0.1 g	29 lb	\$4,400.00
105853	SIWADCP-V5	13.7 × 9.5 in	3	35 kg	0.5 g	29 lb	\$4,455.00
105854	SIWADCP-V6	13.7 × 9.5 in	3	65 kg	1 g	29 lb	\$4,455.00
105855	SIWRDCP-V6	13.7 × 9.5 in	1	3 kg	0.1 g	29 lb	\$2,541.00
103657	SIWRDCP-V7	13.7 × 9.5 in	1	6 kg	0.2 g	29 lb	\$2,563.00
103658	SIWRDCP-V8	13.7 × 9.5 in	1	15 kg	0.5 g	29 lb	\$2,585.00
103659	SIWRDCP-V9	13.7 × 9.5 in	1	35 kg	1 g	29 lb	\$2,618.00
103660	SIWRDCP-V10	13.7 × 9.5 in	1	60 kg	2 g	29 lb	\$2,640.00
151372	SIWSBBP-V16	7.1 × 7.1 in	1	3 kg	0.01 g	16.5 lb	\$6,490.00
151373	SIWSBBP-V17	7.1 × 7.1 in	1	6 kg	0.01 g	16.5 lb	\$7,837.50
151374	SIWSDCP-V18	13.7 × 9.5 in	1	16 kg	0.1 g	29 lb	\$7,700.00
151375	SIWSDCP-V19	13.7 × 9.5 in	1	35 kg	0.1 g	29 lb	\$8,387.50
151376	SIWRDCP-V20	13.7 × 9.5 in	3	6 kg	0.2 g	29 lb	\$3,520.00
151377	SIWRDCP-V21	13.7 × 9.5 in	3	15 kg	0.5 g	29 lb	\$3,547.50
151378	SIWRDCP-V22	13.7 × 9.5 in	3	35 kg	1 g	29 lb	\$3,575.00
151379	SIWRDCP-V23	13.7 × 9.5 in	3	60 kg	2 g	29 lb	\$3,602.50
151410	SIWADCP-V24	13.7 × 9.5 in	1	16 kg	0.2 g	29 lb	\$3,382.50
151411	SIWADCP-V25	13.7 × 9.5 in	1	35 kg	0.5 g	29 lb	\$3,410.00

PRECISION
INDUSTRIAL WEIGHING

Options/Accessories

Part #	Minebea Part #	Description	Price
36907	YDP21	Data printer, statistics and T/D functions, 5 ft cable (requires 83248)	\$1,606.00
31106	6906918	Ribbon	\$126.50
31103	6906937	Paper	\$89.10
83248	YCC01-0016M3	Cable, 9.8 ft, 12-pin round to 25 D-Sub female	\$522.50
105607	YDH02CISUS	Wall mount bracket	\$143.00
153218	YDH01P	Column for DC platforms, 19 in	\$803.00
155884	YDH02P	Column to BBP	\$858.00
155804	YCC05-001M5	RS-232 cable, 25-pin D-sub male to 9/25-pin D-sub female	\$192.50
193048	YDC01SW	Dust cover pack of two	\$121.00
194664	YDO01CS-ETH	Ethernet option (for DCP & EDG models only)	\$1,133.00
199894	YDO03SW-ETH	Ethernet option (for BBP models only)	\$1,287.00
Consult	69CW0126	Power cord	Consult



Standard Features

- Amber backlit LCD display, 0.8 in
- Three-way unit toggle; 10x higher resolution toggle
- External calibration routine
- RS-232C
- One scale connection

Applications

- Designed for use with Combics IF and IS Series platforms
- Various accessories may differ and are application dependent

Specifications

Power Requirements:

120 to 240 VAC, 17 W / 23 VA maximum

Excitation Voltage:

9 V

Load Cell Connection:

Four- or six-wire

Annunciators:

On/Off, Zero, Tare, Print/Data

Keys/Buttons:

Gross/Net toggle

Dimensions:

(L × W × H)
 11.9 × 7.4 × 3.5 in
 (302 × 188 × 90 mm)

Temperature:

Operating:
 14 °F to 104 °F (-10 °C to 40 °C)

Rating/Material:

AISI 304 stainless steel
 IP44, IP69K

Warranty:

Two-year limited, pending evaluation

Part Number/Price

Part #	Minebea Part #	Description	Est. Weight	Price
102396	CAISL1-U	IP44 protection rated	7.5 lb	\$1,617.00
102398	CAIS1-U	IP69K protection rated	7.5 lb	\$2,178.00
115668	CAISL1-UV1	IP44, controller for IS base	7.5 lb	\$2,266.00
115671	CAIS1-UV1	IP69K, controller for IS base	7.5 lb	\$2,607.00

Options/Accessories

Part #	Minebea Part #	Description	Price
105607	YDH02CISUS	Wall mount bracket	\$143.00
171727	YDH12CWSUS	Bench mount bracket	\$176.00
156440	YDH01CWSUS	Post mount assembly for 10 × 10 in platforms, 13 in high	\$390.50
156441	YDH02CWSUS	Post mount assembly for 12 × 12 in platforms, 19 in high	\$401.50
156442	YDH03CWSUS	Post mount assembly for 18 × 18 in platforms, 29 in high	\$473.00
103049	YAS02MI	24 V industrial power supply	\$335.50
162640	YDO02C-ETH	Ethernet TCP/IP	\$1,276.00
155826	YDO02C-AO	Analog output, 0-20 mA, 4-20 mA, 0-10 V	\$1,276.00
193049	YDC01CI	Dust cover pack of two	\$121.00
Cables			
155804	YCC05-001M2	RS-232 9/25-pin D-Sub female, 1.5 m, IP44	\$192.50
155805	YCC01-USBM2	RS-232 to USB connector, 2 m IP44	\$330.00
155806	YCC02-D25F6	RS-232 open to 25 D-Sub female	\$352.00

PRECISION
INDUSTRIAL WEIGHING



PRECISION
INDUSTRIAL WEIGHING

Part Number/Price

Part #	Minebea Part #	Description	Est. Weight	Price
102402	CAISL2-U	IP44 protection rated	7.5 lb	\$2,013.00
102404	CAIS2-U	IP69K protection rated	7.5 lb	\$2,574.00
115670	CAISL2-UV1	IP44, controller for IS base	7.5 lb	\$2,629.00
115673	CAIS2-UV1	IP69K, controller for IS base	7.5 lb	\$3,107.50

Options/Accessories

Part #	Minebea Part #	Description	Price
105607	YDH02CISUS	Wall mount bracket	\$143.00
171727	YDH12CWSUS	Bench mount bracket	\$176.00
156440	YDH01CWSUS	Post mount assembly for 10 × 10 in platforms, 13 in high	\$390.50
156441	YDH02CWSUS	Post mount assembly for 12 × 12 in platforms, 19 in high	\$401.50
156442	YDH03CWSUS	Post mount assembly for 18 × 18 in platforms, 29 in high	\$473.00
103049	YAS02MI	24 V industrial power supply	\$335.50
162640	YDO02C-ETH	Ethernet TCP/IP	\$1,276.00
155826	YDO02C-A0	Analog output, 0-20 mA, 4-20 mA, 0-10 V	\$1,276.00
193049	YDC01CI	Dust cover pack of two	\$121.00
Cables			
155804	YCC05-001M2	RS-232 9/25-pin D-Sub female, 1.5 m, IP44	\$192.50
155805	YCC01-USBM2	RS-232 to USB connector, 2 m IP44	\$330.00
155806	YCC02-D25F6	RS-232 open to 25 D-Sub female	\$352.00

Standard Features

- Amber backlit LCD display, 0.8 in, 13-segment
- External calibration routine
- RS-232C
- Three-way unit toggle; 10x higher resolution toggle
- Numeric keypad with two IDs for entering identifier codes and preset tare
- Info key for quick and easy display of tare input and ID codes
- Date/time fully integrated
- GMP compliant printable record
- NICE Label Express FlexiPrint compatible
- Platform toggling and four function keys
- Bar graph weighing range indicator
- Application data and totalization memory stored in battery-backed RAM
- Optional bar code scanner for preset tare, reference weight and ID entry
- Stored customer-specific data records
- Optional two scale connections, analog or digital

Applications

- Designed for use with Combics IF and IS Series platforms
- Various accessories may differ and are application dependent
- Pre-installed software for counting, checkweighing, differential weighing, percentage weighing, gross-net-tare, sorting, net-total, animal weighing, averaging and totalizing applications

Specifications

Power Requirements:
 120 to 240 VAC, 17 W / 23 VA maximum

Excitation Voltage:
 9 V

Load Cell Connection:
 Four- or six-wire

Annunciators:
 Gross/Net toggle

Keys/Buttons:
 On/Off, Zero, Tare, Print/Data

Dimensions:
 (L × W × H)
 11.9 × 7.4 × 3.5 in
 (302 × 188 × 90 mm)

Temperature:
 Operating:
 14 °F to 104 °F (-10 °C to 40 °C)

Rating/Material:
 AISI 304 stainless steel
 IP44, IP69K

Warranty:
 Two-year limited, pending evaluation



Part Number/Price

Part #	Minebea Part #	Description	Est. Weight	Price
102405	CAISL3-U	IP44 protection rated	7.5 lb	\$2,684.00
Consult	CAISL3-UV1	IP44, controller for IS base	7.5 lb	\$2,207.00
102407	CAIS3-U	IP69K protection rated	7.5 lb	\$3,245.00
115674	CAIS3-UV1	IP69K, controller for IS base	7.5 lb	\$3,712.50

Options/Accessories

Part #	Minebea Part #	Description	Price
105607	YDH02CISUS	Wall mount bracket	\$143.00
171727	YDH12CWSUS	Bench mount bracket	\$176.00
156440	YDH01CWSUS	Post mount assembly for 10 × 10 in platforms, 13 in high	\$390.50
156441	YDH02CWSUS	Post mount assembly for 12 × 12 in platforms, 19 in high	\$401.50
156442	YDH03CWSUS	Post mount assembly for 18 × 18 in platforms, 29 in high	\$473.00
103049	YAS02MI	2 V industrial power supply	\$335.50
155826	YDO02C-A0	Analog output, 0-20 mA, 4-20 mA, 0-10 V	\$1,276.00
162640	YDO02C-ETH	Ethernet TCP-IP	\$1,276.00
193049	YDC01CI	Dust cover pack of two	\$121.00
Cables			
155804	YCC05-001M2	RS-232 9/25-Pin D-Sub female, 1.5 m, IP44	\$192.50
155805	YCC01-USBM2	RS-232 to USB connector, 2 m IP44	\$330.00
155806	YCC02-D25F6	RS-232 open to 25 D-Sub female	\$352.00

Standard Features

- Backlit LCD display
- Keypad with two IDs for entering identifier codes and preset tare
- Info key for quick and easy display of tare input and ID codes
- Date/time fully integrated
- GMP/GLP printable record
- Platform toggling and four function keys
- Bar graph weighing range indicator
- Application data and totalization memory stored in battery-backed RAM
- Optional bar code scanner for preset tare, reference weight and ID entry
- Stored customer-specific data records
- Key for toggling between weighing applications, and five soft keys with text-supported user guidance
- Input functions for entering up to four alphanumeric ID texts

Applications

- Combics 2 and Combics 3 indicators are designed for use with Combics IF and Combics IS series platforms
- Various accessories may differ and are application dependent
- Pre-installed software for counting, checkweighing, differential weighing, percentage weighing, gross-net-tare, sorting, net-total and animal weighing applications
- Custom application packages: single component batching BASIC and single component batching PRO

Specifications

Power Requirements:

120 to 240 VAC, 17 W / 23 VA maximum

Excitation Voltage:

9 V

Load Cell Connection:

Four- or six-wire

Annunciators:

Gross/Net toggle

Keys/Buttons:

On/Off, Zero, Tare, Print/Data

Dimensions:

(L × W × H)
 11.9 × 7.4 × 3.5 in
 (302 × 188 × 90 mm)

Temperature:

Operating:
 14 °F to 104 °F (-10 °C to 40 °C)

Rating/Material:

AISI 304 stainless steel
 IP44, IP69K

Warranty:

Two-year limited, pending evaluation

PRECISION
INDUSTRIAL WEIGHING



PRECISION
INDUSTRIAL WEIGHING

Standard Features

- Large, bright LED display
- Traffic light function
- Built-in USB-C and USB-A
- Three LED (yellow, green, red) indicator lights with configurable operation and alert beeper

Specifications

Power:

100 to 240 V, 50/60 Hz AC adapter
Internal battery, rechargeable lithium battery

Battery Operation Time:

Up to 500 hours continuous use between recharges with 12 hour recharge time

Rating/Material:

ABS housing/stainless steel 304 load plate, IP43

Display:

LCD, up to 1.4 in (35 mm), six-digit, 14-segment, white backlight

Temperature:

Operating:
14 °F to 104 °F (-10 °C to 40 °C)

Warranty:

Two-year limited, pending evaluation

Part Number/Price

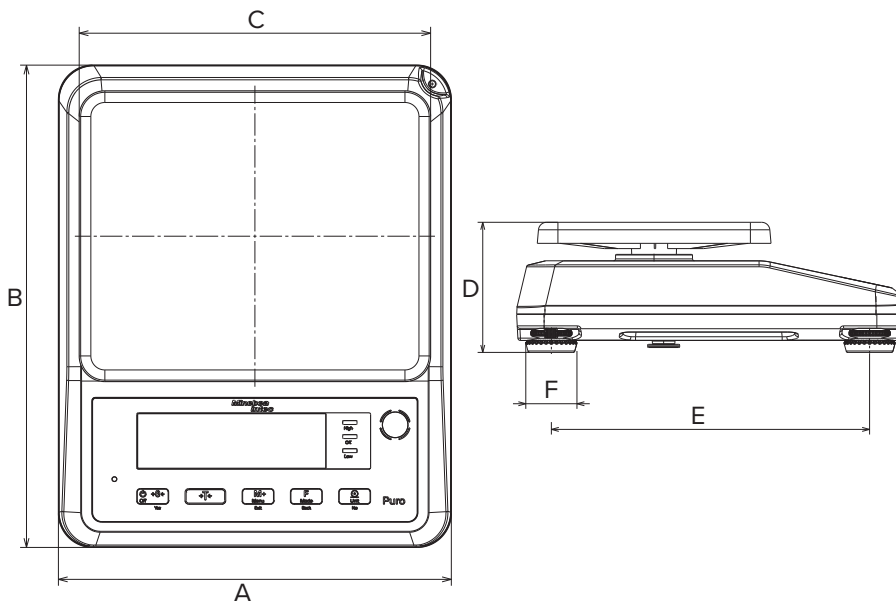
Part #	Minebea Part #	Description	Price
218574	EF-SF2-P1	3 × 0.0001 lb (1.5 × 0.00005 kg)	\$533.50
218575	EF-SF2-P3	6 × 0.0002 lb (3 × 0.0001 kg)	\$533.50
218576	EF-SF2-P6	15 × 0.0005 lb (6 × 0.0002 kg)	\$533.50
218577	EF-SF2-P15	30 × 0.001 lb (15 × 0.0005 kg)	\$533.50
218578	EF-SF2-P30	60 × 0.002 lb (30 × 0.001 kg)	\$533.50

Options/Accessories

Part #	Description	Price
218599	Replacement power adapter	\$103.40

Dimensions

SmallFlat			
A	9.69 in (246 mm)	D	3.99 in (101 mm)
B	11.90 in (302 mm)	E	9.76 in (248 mm)
C	8.67 in (220 mm)	F	1.57 in (Ø40 mm)





Standard Features

- Large, bright LED display
- Traffic light function
- Built-in RS-232, USB-C and USB-A
- Three LED (yellow, green, red) indicator lights with configurable operation and alert beeper
- Smart connectivity and application packages

Specifications

Power:

100 to 240 V, 50/60 Hz AC adapter
 Internal battery, rechargeable lithium battery

Battery Operation Time:

Up to 500 hours continuous use between recharges with 12 hour recharge time

Rating/Material:

ABS housing/stainless steel 304 load plate, IP43

Display:

LCD, up to 1.4 in (35 mm), six-digit, 14-segment, white backlight

Temperature:

Operating:
 14 °F to 104 °F (-10 °C to 40 °C)

Warranty:

Two-year limited, pending evaluation

Part Number/Price

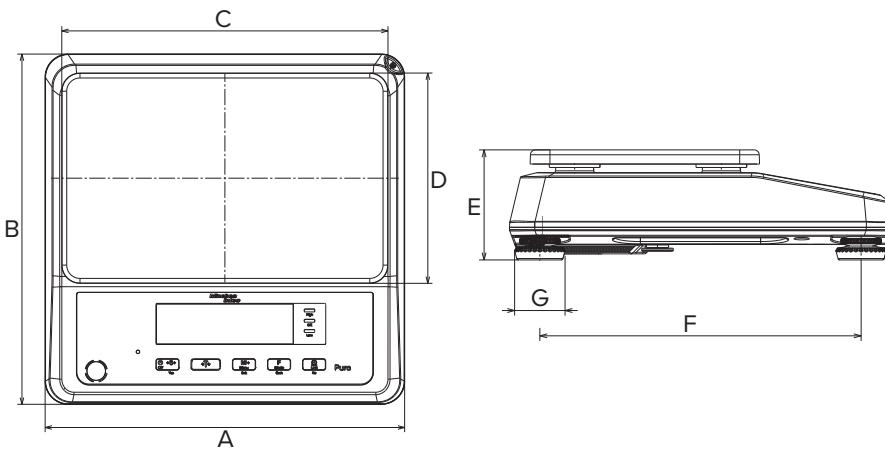
Part #	Minebea Part #	Description	Price
218579	EF-LF2-P1	3 × 0.0001 lb (1.5 × 0.00005 kg)	\$748.00
218580	EF-LF2-P3	6 × 0.0002 lb (3 × 0.0001 kg)	\$748.00
218581	EF-LF2-P6	15 × 0.0005 lb (6 × 0.0002 kg)	\$748.00
218582	EF-LF2-P15	30 × 0.001 lb (15 × 0.0005 kg)	\$748.00
218583	EF-LF2-P30	60 × 0.002 lb (30 × 0.001 kg)	\$748.00

Options/Accessories

Part #	Description	Price
218599	Replacement power adapter	\$103.40

Dimensions

LargeFlat	
A 12.21 in (310 mm)	E 3.43 in (87 mm)
B 11.90 in (302 mm)	F 10.00 in (254 mm)
C 11.08 in (281 mm)	G 1.57 in (Ø40 mm)
D 7.14 in (181 mm)	



PRECISION INDUSTRIAL WEIGHING

PRECISION
INDUSTRIAL WEIGHING



Standard Features

- Large front and rear display
- Traffic light function
- Battery powered
- Built-in USB-C and USB-A

Specifications

- Power:**
 100 to 240 V, 50/60 Hz AC adapter
 Internal battery, rechargeable lithium battery
- Battery Operation Time:**
 Up to 500 hours continuous use between recharges with 12 hour recharge time
- Rating/Material:**
 ABS housing/stainless steel 304 load plate, IP43
- Display:**
 Front and rear LCD, up to 1.4 in (35 mm), six-digit, 14-segment, white backlight
- Temperature:**
 Operating:
 14 °F to 104 °F (-10 °C to 40 °C)
- Warranty:**
 Two-year limited, pending evaluation

Part Number/Price

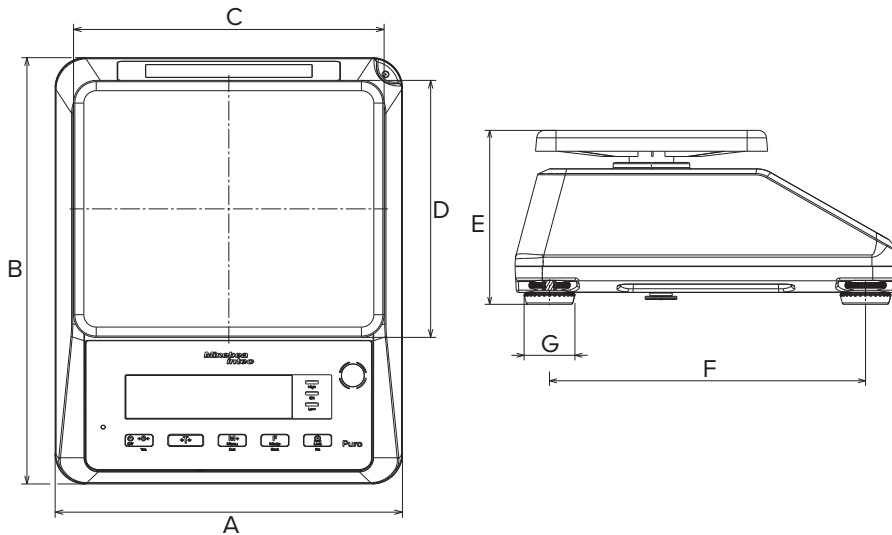
Part #	Minebea PN	Description	Price
218584	EF-ST2-P1	3 × 0.0001 lb (1.5 × 0.00005 kg)	\$638.00
218585	EF-ST2-P3	6 × 0.0002 lb (3 × 0.0001 kg)	\$638.00
218586	EF-ST2-P6	15 × 0.0005 lb (6 × 0.0002 kg)	\$638.00
218587	EF-ST2-P15	30 × 0.001 lb (15 × 0.0005 kg)	\$638.00
218588	EF-ST2-P30	60 × 0.002 lb (30 × 0.001 kg)	\$638.00

Options/Accessories

Part #	Description	Price
218599	Replacement power adapter	\$103.40

Dimensions

SmallTall			
A	9.69 in (246 mm)	E	5.43 in (138 mm)
B	11.90 in (302 mm)	F	9.76 in (248 mm)
C	8.67 in (220 mm)	G	1.57 in (Ø40 mm)
D	7.17 in (182 mm)		





Standard Features

- Large front and rear display
- Traffic light function
- Battery powered
- Built-in USB-C

Specifications

Power:

100 to 240 V, 50/60 Hz AC adapter
 Internal battery, rechargeable lithium battery

Battery Operation Time:

Up to 500 hours continuous use between recharges with 12 hour recharge time

Rating/Material:

ABS housing/stainless steel 304 load plate, IP43

Display:

Front and rear LCD, up to 1.4 in (35 mm), six-digit, 14-segment, white backlight

Temperature:

Operating:
 14 °F to 104 °F (-10 °C to 40 °C)

Warranty:

Two-year limited, pending evaluation

Part Number/Price

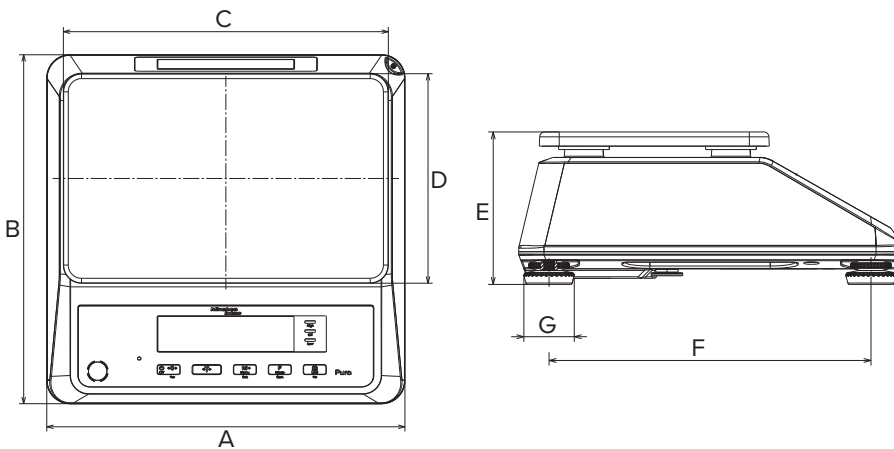
Part #	Minebea Part #	Description	Price
218589	EF-LT2-P1	3 × 0.0001 lb (1.5 × 0.00005 kg)	\$825.00
218590	EF-LT2-P3	6 × 0.0002 lb (3 × 0.0001 kg)	\$825.00
218591	EF-LT2-P6	15 × 0.0005 lb (6 × 0.0002 kg)	\$825.00
218592	EF-LT2-P15	30 × 0.001 lb (15 × 0.0005 kg)	\$825.00
218593	EF-LT2-P30	60 × 0.002 lb (30 × 0.001 kg)	\$825.00

Options/Accessories

Part #	Description	Price
218599	Replacement power adapter	\$103.40

Dimensions

LargeTall	
A 12.21 in (310 mm)	E 4.76 in (121 mm)
B 11.90 in (302 mm)	F 10.00 in (254 mm)
C 11.08 in (281 mm)	G 1.57 in (Ø40 mm)
D 7.14 in (181 mm)	



PRECISION
INDUSTRIAL WEIGHING



Standard Features

- Three large front displays
- Traffic light function
- Battery powered
- Easy charging via USB-C
- Built-in second ADC

Specifications

Power:
 100 to 240 V, 50/60 Hz AC adapter
 Internal battery, rechargeable lithium battery

Battery Operation Time:
 Up to 500 hours continuous use between recharges with 12 hour recharge time

Rating/Material:
 ABS housing/stainless steel 304 load plate, IP43

Display:
 Three windows, LCD, up to 1.4 in (35 mm), six-digit, 14-segment, white backlight

Temperature:
 Operating:
 14 °F to 104 °F (-10 °C to 40 °C)

Warranty:
 Two-year limited, pending evaluation

Part Number/Price

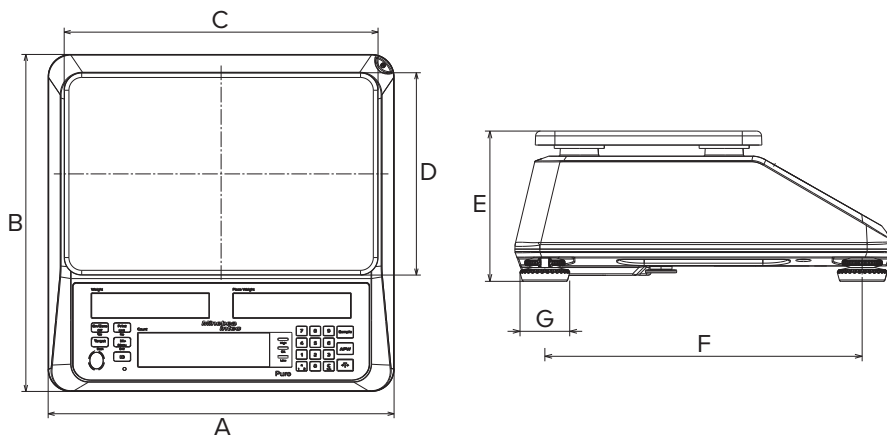
Part #	Minebea Part #	Description	Price
218594	EF-LT-3-P1	3 × 0.0001 lb (1.5 × 0.00005 kg)	\$885.50
218595	EF-LT-3-P3	6 × 0.0002 lb (3 × 0.0001 kg)	\$885.50
218596	EF-LT-3-P6	15 × 0.0005 lb (6 × 0.0002 kg)	\$885.50
218597	EF-LT-3-P15	30 × 0.001 lb (15 × 0.0005 kg)	\$885.50
218598	EF-LT-3-P30	60 × 0.002 lb (30 × 0.001 kg)	\$885.50

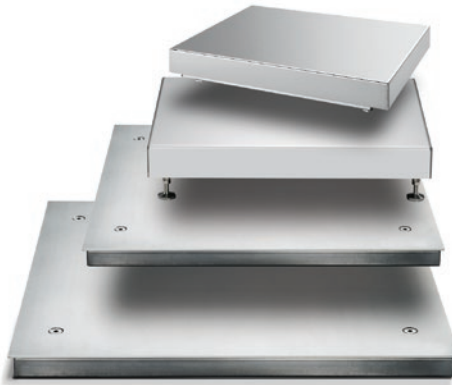
Options/Accessories

Part #	Description	Price
218599	Replacement power adapter	\$103.40

Dimensions

LargeCount			
A	12.21 in (310 mm)	E	4.74 in (120 mm)
B	11.90 in (302 mm)	F	10.00 in (254 mm)
C	11.08 in (281 mm)	G	1.57 in (Ø40 mm)
D	7.14 in (181 mm)		





Standard Features

- One or four load cells (as noted)
- NTEP Certified (up to 5,000 e) and capable of up to 30,000 d for non-NTEP
- Compatible with all Rice Lake and Combics indicators (30,000 d not guaranteed with Rice Lake instrumentation)

Optional Configurations

- Complete selection of pit frames for flush mounting available
- R2: electropolished 316T, stainless steel
- T1: pressure lift system (only available for II platforms and larger)
- Drive-on ramps
- Pit frame
- Mild, painted or 304 stainless steel
- 304 stainless steel platters

Specifications

- Cable Length:**
10 ft/3 m-up to 1,000 lb 30 × 30 in
20 ft/6 m 1,000 lb and above 36 × 36 in
- Temperature:**
Operating:
14 °F to 104 °F (-10 °C to 40 °C)
- Height:**
Adjustable feet
- Warranty:**
Two-year limited, pending evaluation

Part Number/Price

Part #	Minebea Part #	Dimensions	Foot Adjustable Height	# Load Cells	Capacity	Capacity Readability	Capacity Readability	Est. Weight	Price
Painted Steel									
102285	CAPP1U-10CC-LU	10 × 10 in	2.7 to 3.6 in	1	15 lb	0.0005 lb	6 kg	0.0002 kg	\$1,061.50
102286	CAPP1U-20CC-LU	10 × 10 in	2.7 to 3.6 in	1	30 lb	0.001 lb	15 kg	0.0005 kg	\$1,061.50
102287	CAPP1U-50CC-LU	10 × 10 in	2.7 to 3.6 in	1	60 lb	0.002 lb	30 kg	0.001 kg	\$1,061.50
102288	CAPP1U-50DD-LU	12 × 12 in	3.6 to 4.5 in	1	60 lb	0.002 lb	30 kg	0.001 kg	\$1,210.00
102291	CAPP1U-100DD-LU	12 × 12 in	3.6 to 4.5 in	1	150 lb	0.005 lb	60 kg	0.002 kg	\$1,177.00
102289	CAPP1U-50EE-LU	18 × 18 in	3.5 to 4.4 in	1	60 lb	0.002 lb	30 kg	0.001 kg	\$1,771.00
102292	CAPP1U-100EE-LU	18 × 18 in	3.5 to 4.4 in	1	150 lb	0.005 lb	60 kg	0.002 kg	\$1,771.00
102297	CAPP1U-200EE-LU	18 × 18 in	3.5 to 4.4 in	1	200 lb	0.01 lb	100 kg	0.005 kg	\$1,771.00
102294	CAPP1U-100GG-LU	24 × 24 in	5.7 to 6.7 in	1	150 lb	0.005 lb	60 kg	0.002 kg	\$3,767.50
102299	CAPP1U-250GG-LU	24 × 24 in	5.9 to 6.4 in	1	300 lb	0.01 lb	150 kg	0.005 kg	\$3,767.50
102302	CAPP1U-500GG-LU	24 × 24 in	5.7 to 6.7 in	1	600 lb	0.02 lb	300 kg	0.01 kg	\$3,767.50
102296	CAPP1U-100HH-LU	30 × 30 in	5.71 to 6.71 in	1	150 lb	0.005 lb	60 kg	0.002 kg	\$4,730.00
102301	CAPP1U-250HH-LU	30 × 30 in	5.71 to 6.71 in	1	300 lb	0.01 lb	150 kg	0.005 kg	\$4,730.00
102304	CAPP1U-500HH-LU	30 × 30 in	5.71 to 6.71 in	1	600 lb	0.02 lb	300 kg	0.01 kg	\$4,730.00
102306	CAPP1U-1000HH-LU	30 × 30 in	5.71 to 6.71 in	1	1,500 lb	0.05 lb	600 kg	0.02 kg	\$4,730.00
Pit Frames									
104313	YEG-HG-PUS	30 × 24 in (HG)							\$1,309.00
104315	YPF01KKP-MUS	36 × 36 in (KK)							\$1,430.00
Stainless Steel									
102429	CAPS1U-10CC-LU	10 × 10 in	2.6 to 3.4 in	1	15 lb	0.0005 lb	6 kg	0.0002 kg	\$1,595.00
102430	CAPS1U-20CC-LU	10 × 10 in	2.6 to 3.4 in	1	30 lb	0.001 lb	15 kg	0.0005 kg	\$1,595.00
102431	CAPS1U-50CC-LU	10 × 10 in	2.6 to 3.4 in	1	60 lb	0.002 lb	30 kg	0.001 kg	\$1,595.00
102432	CAPS1U-50DD-LU	12 × 12 in	3.3 to 4.4 in	1	60 lb	0.002 lb	30 kg	0.001 kg	\$1,771.00
102433	CAPS1U-100DD-LU	12 × 12 in	3.5 to 4.4 in	1	150 lb	0.005 lb	60 kg	0.002 kg	\$1,793.00
102434	CAPS1U-50EE-LU	18 × 18 in	3.5 to 4.4 in	1	60 lb	0.002 lb	30 kg	0.001 kg	\$2,354.00
102435	CAPS1U-100EE-LU	18 × 18 in	3.5 to 4.4 in	1	150 lb	0.005 lb	60 kg	0.002 kg	\$2,354.00
102436	CAPS1U-200EE-LU	18 × 18 in	3.5 to 4.4 in	1	200 lb	0.01 lb	100 kg	0.005 kg	\$2,354.00
102458	CAPS4U-100GG-LU	24 × 24 in	3.4 to 3.6 in	4	150 lb	0.005 lb	60 kg	0.002 kg	\$7,782.50
102460	CAPS4U-250GG-LU	24 × 24 in	3.4 to 3.6 in	4	300 lb	0.01 lb	150 kg	0.005 kg	\$7,947.50
102461	CAPS4U-500GG-LU	24 × 24 in	3.4 to 3.6 in	4	600 lb	0.02 lb	300 kg	0.01 kg	\$7,947.50
102466	CAPS4U-100HH-LU	30 × 30 in	3.4 to 3.6 in	4	150 lb	0.005 lb	60 kg	0.002 kg	\$8,635.00
102467	CAPS4U-250HH-LU	30 × 30 in	3.4 to 3.6 in	4	300 lb	0.01 lb	150 kg	0.005 kg	\$8,635.00
102468	CAPS4U-500HH-LU	30 × 30 in	3.4 to 3.6 in	4	600 lb	0.02 lb	300 kg	0.01 kg	\$8,635.00
102474	CAPS4U-2500NN-LU	48 × 48 in	3.5 in	4	3,000 lb	0.1 lb	1,500 kg	0.05 kg	\$11,000.00
Pit Frames									
104322	YEG-HH-SUS	30 × 30 in (HH)							\$3,437.50
104323	YPF01KKT-MUS	36 × 36 in (KK)							\$3,740.00
104324	YPF01NNT-MUS	48 × 48 in (NN)							\$4,482.50

IF Series

Painted Steel Platform Scale



Does not represent standard models
(This is the stainless version shown with additional optional features)

Specifications

Cable Length:

6 m (19.7 ft)

Rating/Material:

NEMA Type 4, IP65

Mild steel powder coated

Regulatory Compliance:

HACCP, FDA

Warranty:

Two-year limited, pending evaluation

PRECISION INDUSTRIAL WEIGHING

Standard Features

- Various options for portability utilizing unique MoveLine weighing platform
- Four strain gauge stainless steel load cells ensure precise results
- Resolution: scale intervals of 15,000 d or 30,000 d
- Drive-on ramp included with every platform
- No pit required

Applications

- Pharmaceutical, chemical, electronics, food processing, precious metals, metal production and processing

Optional Configurations

- T14: Integrated column
- T4: Stop bar
- T15: Second ramp

Part Number/Price

Part #	Minebea Part #	Weighing Surface Dimensions	Platform Height	# Load Cells	Capacity	Readability	Capacity	Readability	Est. Weight	Price
100970	IFP4-150GG	23.6 × 23.6 in	25 mm	4	330 lb	0.01 lb	150 kg	0.005 kg	198 lb	\$12,375.00
100973	IFP4-300GG	23.6 × 23.6 in	25 mm	4	660 lb	0.02 lb	300 kg	0.01 kg	198 lb	\$12,375.00
100974	IFP4-600GG	23.6 × 23.6 in	25 mm	4	1,320 lb	0.05 lb	600 kg	0.02 kg	198 lb	\$12,375.00
100975	IFP4-1000GG	23.6 × 23.6 in	25 mm	4	2,200 lb	0.1 lb	1,000 kg	0.05 kg	198 lb	\$12,375.00
100984	IFP4-150IG	31.5 × 23.6 in	25 mm	4	3,30 lb	0.01 lb	150 kg	0.005 kg	221 lb	\$12,540.00
100986	IFP4-300IG	31.5 × 23.6 in	25 mm	4	660 lb	0.02 lb	300 kg	0.01 kg	221 lb	\$12,540.00
100987	IFP4-600IG	31.5 × 23.6 in	25 mm	4	1,320 lb	0.05 lb	600 kg	0.02 kg	221 lb	\$12,540.00
100988	IFP4-1000IG	31.5 × 23.6 in	25 mm	4	2,200 lb	0.1 lb	1,000 kg	0.05 kg	221 lb	\$12,540.00
100991	IFP4-150II	31.5 × 31.5 in	25 mm	4	330 lb	0.01 lb	150 kg	0.005 kg	243 lb	\$12,677.50
100992	IFP4-300II	31.5 × 31.5 in	25 mm	4	660 lb	0.02 lb	300 kg	0.01 kg	243 lb	\$12,677.50
100993	IFP4-600II	31.5 × 31.5 in	25 mm	4	1,320 lb	0.05 lb	600 kg	0.02 kg	243 lb	\$12,677.50
100994	IFP4-1000II	31.5 × 31.5 in	25 mm	4	2,200 lb	0.1 lb	1,000 kg	0.05 kg	243 lb	\$12,677.50
100995	IFP4-1500II	31.5 × 31.5 in	25 mm	4	3,300 lb	0.1 lb	1,500 kg	0.05 kg	243 lb	\$12,677.50
101005	IFP4-150LG	39.4 × 23.6 in	25 mm	4	330 lb	0.01 lb	150 kg	0.005 kg	243 lb	\$12,677.50
101006	IFP4-300LG	39.4 × 23.6 in	25 mm	4	660 lb	0.02 lb	300 kg	0.01 kg	243 lb	\$12,677.50
101007	IFP4-600LG	39.4 × 23.6 in	25 mm	4	1,320 lb	0.05 lb	600 kg	0.02 kg	243 lb	\$12,677.50
101008	IFP4-1000LG	39.4 × 23.6 in	25 mm	4	2,200 lb	0.1 lb	1,000 kg	0.05 kg	243 lb	\$12,677.50
101009	IFP4-1500LG	39.4 × 23.6 in	25 mm	4	3,300 lb	0.1 lb	1,500 kg	0.05 kg	243 lb	\$12,677.50
101010	IFP4-150LI	39.4 × 31.5 in	25 mm	4	330 lb	0.01 lb	150 kg	0.005 kg	265 lb	\$12,815.00
101011	IFP4-300LI	39.4 × 31.5 in	25 mm	4	660 lb	0.02 lb	300 kg	0.01 kg	265 lb	\$12,815.00
101012	IFP4-600LI	39.4 × 31.5 in	25 mm	4	1,320 lb	0.05 lb	600 kg	0.02 kg	265 lb	\$12,815.00
101013	IFP4-1000LI	39.4 × 31.5 in	25 mm	4	2,200 lb	0.1 lb	1,000 kg	0.05 kg	265 lb	\$12,815.00
101014	IFP4-1500LI	39.4 × 31.5 in	35 mm	4	3,300 lb	0.1 lb	1,500 kg	0.05 kg	265 lb	\$12,815.00
101015	IFP4-150LL	39.4 × 39.4 in	25 mm	4	330 lb	0.01 lb	150 kg	0.005 kg	375 lb	\$13,612.50

Part Number/Price

Part #	Minebea Part #	Weighing Surface Dimensions	Platform Height	# Load Cells	Capacity Readability	Capacity Readability	Est. Weight	Price
101016	IFP4-300LL	39.4 × 39.4 in	25 mm	4	660 lb	0.02	300 kg	\$13,612.50
101017	IFP4-600LL	39.4 × 39.4 in	25 mm	4	1,320 lb	0.05	600 kg	\$13,612.50
101018	IFP4-1000LL	39.4 × 39.4 in	25 mm	4	2,200 lb	0.1	1,000 kg	\$13,612.50
101019	IFP4-1500LL	39.4 × 39.4 in	35 mm	4	3,300 lb	0.1	1,500 kg	\$13,612.50
101020	IFP4-3000LL	39.4 × 39.4 in	45 mm	4	6,600 lb	0.2	3,000 kg	\$13,612.50
101021	IFP4-150NL	49.2 × 39.4 in	25 mm	4	330 lb	0.01	150 kg	\$13,860.00
101022	IFP4-300NL	49.2 × 39.4 in	25 mm	4	660 lb	0.02	300 kg	\$13,860.00
101023	IFP4-600NL	49.2 × 39.4 in	25 mm	4	1,320 lb	0.05	600 kg	\$13,860.00
101024	IFP4-1000NL	49.2 × 39.4 in	25 mm	4	2,200 lb	0.1	1,000 kg	\$13,860.00
101025	IFP4-1500NL	49.2 × 39.4 in	35 mm	4	3,300 lb	0.1	1,500 kg	\$13,860.00
101026	IFP4-3000NL	49.2 × 39.4 in	45 mm	4	6,600 lb	0.2	3,000 kg	\$13,860.00
101027	IFP4-150NN	49.2 × 49.2 in	25 mm	4	330 lb	0.01	150 kg	\$14,382.50
101028	IFP4-300NN	49.2 × 49.2 in	25 mm	4	660 lb	0.02	300 kg	\$14,382.50
101029	IFP4-600NN	49.2 × 49.2 in	35 mm	4	1,320 lb	0.05	600 kg	\$14,382.50
101030	IFP4-1000NN	49.2 × 49.2 in	35 mm	4	2,200 lb	0.1	1,000 kg	\$14,382.50
101031	IFP4-1500NN	49.2 × 49.2 in	35 mm	4	3,300 lb	0.1	1,500 kg	\$14,382.50
101032	IFP4-3000NN	49.2 × 49.2 in	45 mm	4	6,600 lb	0.2	3,000 kg	\$14,382.50
101033	IFP4-150RN	59.1 × 49.2 in	25 mm	4	330 lb	0.01	150 kg	\$15,097.50
101034	IFP4-300RN	59.1 × 49.2 in	25 mm	4	660 lb	0.02	300 kg	\$15,097.50
101035	IFP4-600RN	59.1 × 49.2 in	35 mm	4	1,320 lb	0.05	600 kg	\$15,097.50
101036	IFP4-1000RN	59.1 × 49.2 in	35 mm	4	2,200 lb	0.1	1,000 kg	\$15,097.50
101037	IFP4-1500RN	59.1 × 49.2 in	35 mm	4	3,300 lb	0.1	1,500 kg	\$15,097.50
101038	IFP4-3000RN	59.1 × 49.2 in	45 mm	4	6,600 lb	0.2	3,000 kg	\$15,097.50
101039	IFP4-150RR	59.1 × 59.1 in	35 mm	4	330 lb	0.01	150 kg	\$15,895.00
101040	IFP4-300RR	59.1 × 59.1 in	35 mm	4	660 lb	0.02	300 kg	\$15,895.00
101041	IFP4-600RR	59.1 × 59.1 in	35 mm	4	1,320 lb	0.05	600 kg	\$15,895.00
101042	IFP4-1000RR	59.1 × 59.1 in	45 mm	4	2,200 lb	0.1	1,000 kg	\$15,895.00
101043	IFP4-1500RR	59.1 × 59.1 in	45 mm	4	3,300 lb	0.1	1,500 kg	\$15,895.00
101044	IFP4-3000RR	59.1 × 59.1 in	45 mm	4	6,600 lb	0.2	3,000 kg	\$15,895.00
101045	IFP4-150WR	78.7 × 59.1 in	35 mm	4	330 lb	0.01	150 kg	\$16,390.00
101046	IFP4-300WR	78.7 × 59.1 in	35 mm	4	660 lb	0.02	300 kg	\$16,390.00
101047	IFP4-600WR	78.7 × 59.1 in	35 mm	4	1,320 lb	0.05	600 kg	\$16,390.00
101048	IFP4-1000WR	78.7 × 59.1 in	45 mm	4	2,200 lb	0.1	1,000 kg	\$16,390.00
101049	IFP4-1500WR	78.7 × 59.1 in	45 mm	4	3,300 lb	0.1	1,500 kg	\$16,390.00
101050	IFP4-3000WR	78.7 × 59.1 in	45 mm	4	6,600 lb	0.2	3,000 kg	\$16,390.00

PRECISION
INDUSTRIAL WEIGHING

Options/Accessories

Part #	Description	Price
T4	Stop bar	Consult
T5	Tow bar	Consult
T6	Two handles and two rollers	Consult
T7	Retractable wheels (not available with the GG and IG models)	Consult
T9	Bottom plate	Consult
L6	IP69K kit	Consult
T13	Four handles	Consult
T14	Integrated column	Consult
T15	2nd ramp	Consult
Consult	Pressure lift (not available for 30,000d models)	Consult



Does not represent standard models (Shown with additional optional features)

Applications

- Pharmaceutical, chemical, electronics, food processing, precious metals, metal production and processing

Specifications

Load Cells:

Four hermetically sealed IP68

Regulatory Compliance:

HACCP, FDA, Class 10,000 clean rooms (US Federal Standard 209D)

IP Rating:

IP68

Cable Length:

6 m (19.7 ft)

Warranty:

Two-year limited, pending evaluation

PRECISION INDUSTRIAL WEIGHING

Standard Features

- Capacities from 330 to 6,614 lb with resolutions up to 30,000 d
- Various portability options utilizing the unique MoveLine weighing platform
- Ultra low profile: standard platform height
- Material/surface finish: 304 bead-blasted stainless steel
- Drive-on ramp included with every platform
- No pit required
- Convenient for application-oriented weighing systems from processing to the chemical industry
- All units built for easy cleaning and disinfection to meet HACCP and FDA requirements for the food/ pharmaceutical industries

Optional Configurations

- L6: IP69K kit
- T4: Stop bar
- T9: Bottom plate
- T5: Towing bar
- T6: Two handles, two rollers
- T13: Four handles
- T14: Integrated column
- T15: 2nd ramp
- R2: 316, T1, 2B cold-rolled steel, electropolished stainless steel
- R6: 304, 2B cold-rolled steel, electropolished stainless steel
- Pressure lift (not available for 30,000 d models)

Note: Consult factory for lifting device options and compatibility of combined options

Part Number/Price

Part #	Minebea Part #	Weighing Surface Dimensions	Platform Height	# Load Cells	Capacity Readability	Capacity Readability	Capacity Readability	Est. Weight	Price	
101266	IFS4-150GG	23.6 × 23.6 in	25 mm	4	330 lb	0.01 lb	150 kg	0.005 kg	198 lb	\$18,727.50
101267	IFS4-300GG	23.6 × 23.6 in	25 mm	4	660 lb	0.02 lb	300 kg	0.01 kg	198 lb	\$18,727.50
101268	IFS4-600GG	23.6 × 23.6 in	25 mm	4	1,320 lb	0.05 lb	600 kg	0.02 kg	198 lb	\$18,727.50
101269	IFS4-1000GG	23.6 × 23.6 in	25 mm	4	2,200 lb	0.1 lb	1,000 kg	0.05 kg	198 lb	\$18,727.50
101270	IFS4-150IG	31.5 × 23.6 in	25 mm	4	330 lb	0.01 lb	150 kg	0.005 kg	221 lb	\$19,030.00
101274	IFS4-300IG	31.5 × 23.6 in	25 mm	4	660 lb	0.02 lb	300 kg	0.01 kg	221 lb	\$19,030.00
101275	IFS4-600IG	31.5 × 23.6 in	25 mm	4	1,320 lb	0.05 lb	600 kg	0.02 kg	221 lb	\$19,030.00
101279	IFS4-1000IG	31.5 × 23.6 in	25 mm	4	2,200 lb	0.1 lb	1,000 kg	0.05 kg	221 lb	\$19,030.00
101281	IFS4-150II	31.5 × 31.5 in	25 mm	4	330 lb	0.01 lb	150 kg	0.005 kg	243 lb	\$19,360.00
101282	IFS4-300II	31.5 × 31.5 in	25 mm	4	660 lb	0.02 lb	300 kg	0.01 kg	243 lb	\$19,360.00
101283	IFS4-600II	31.5 × 31.5 in	25 mm	4	1,320 lb	0.05 lb	600 kg	0.02 kg	243 lb	\$19,360.00
101284	IFS4-1000II	31.5 × 31.5 in	25 mm	4	2,200 lb	0.1 lb	1,000 kg	0.05 kg	243 lb	\$19,360.00
101285	IFS4-1500II	31.5 × 31.5 in	25 mm	4	3,300 lb	0.1 lb	1,500 kg	0.05 kg	243 lb	\$19,360.00
101286	IFS4-150LG	39.4 × 23.6 in	25 mm	4	330 lb	0.01 lb	150 kg	0.005 kg	243 lb	\$19,992.50
101287	IFS4-300LG	39.4 × 23.6 in	25 mm	4	660 lb	0.02 lb	300 kg	0.01 kg	243 lb	\$19,992.50
101288	IFS4-600LG	39.4 × 23.6 in	25 mm	4	1,320 lb	0.05 lb	600 kg	0.02 kg	243 lb	\$19,992.50
101289	IFS4-1000LG	39.4 × 23.6 in	25 mm	4	2,200 lb	0.1 lb	1,000 kg	0.05 kg	243 lb	\$19,992.50
101290	IFS4-1500LG	39.4 × 23.6 in	25 mm	4	3,300 lb	0.1 lb	1,500 kg	0.05 kg	243 lb	\$19,992.50
101291	IFS4-150LI	39.4 × 31.5 in	25 mm	4	330 lb	0.01 lb	150 kg	0.005 kg	265 lb	\$20,680.00
101293	IFS4-300LI	39.4 × 31.5 in	25 mm	4	660 lb	0.02 lb	300 kg	0.01 kg	265 lb	\$20,680.00
101294	IFS4-600LI	39.4 × 31.5 in	25 mm	4	1,320 lb	0.05 lb	600 kg	0.02 kg	265 lb	\$20,680.00
101295	IFS4-1000LI	39.4 × 31.5 in	25 mm	4	2,200 lb	0.1 lb	1,000 kg	0.05 kg	265 lb	\$20,680.00
101296	IFS4-1500LI	39.4 × 31.5 in	35 mm	4	3300 lb	0.1 lb	1,500 kg	0.05 kg	265 lb	\$20,680.00
101304	IFS4-150LL	39.4 × 39.4 in	25 mm	4	330 lb	0.01 lb	150 kg	0.005 kg	375 lb	\$21,642.50
101305	IFS4-300LL	39.4 × 39.4 in	25 mm	4	660 lb	0.02 lb	300 kg	0.01 kg	375 lb	\$21,642.50
101306	IFS4-600LL	39.4 × 39.4 in	25 mm	4	1,320 lb	0.05 lb	600 kg	0.02 kg	375 lb	\$21,642.50

Part Number/Price

Part #	Minebea Part #	Weighing Surface Dimensions	Platform Height	# Load Cells	Capacity Readability		Capacity Readability		Est. Weight	Price
101307	IFS4-1000LL	39.4 × 39.4 in	25 mm	4	2,200 lb	0.1 lb	1,000 kg	0.05 kg	375 lb	\$21,642.50
101308	IFS4-1500LL	39.4 × 39.4 in	35 mm	4	3,300 lb	0.1 lb	1,500 kg	0.05 kg	375 lb	\$21,642.50
101309	IFS4-3000LL	39.4 × 39.4 in	45 mm	4	6,600 lb	0.2 lb	3,000 kg	0.1 kg	375 lb	\$21,642.50
101310	IFS4-150NL	49.2 × 39.4 in	25 mm	4	330 lb	0.01 lb	150 kg	0.005 kg	397 lb	\$22,495.00
101311	IFS4-300NL	49.2 × 39.4 in	25 mm	4	660 lb	0.02 lb	300 kg	0.01 kg	397 lb	\$22,495.00
101312	IFS4-600NL	49.2 × 39.4 in	25 mm	4	1,320 lb	0.05 lb	600 kg	0.02 kg	397 lb	\$22,495.00
101313	IFS4-1000NL	49.2 × 39.4 in	25 mm	4	2,200 lb	0.1 lb	1,000 kg	0.05 kg	397 lb	\$22,495.00
101314	IFS4-1500NL	49.2 × 39.4 in	35 mm	4	3,300 lb	0.1 lb	1,500 kg	0.05 kg	397 lb	\$22,495.00
101315	IFS4-3000NL	49.2 × 39.4 in	45 mm	4	6,600 lb	0.2 lb	3,000 kg	0.1 kg	397 lb	\$22,495.00
101317	IFS4-150NN	49.2 × 49.2 in	25 mm	4	330 lb	0.01 lb	150 kg	0.005 kg	481 lb	\$23,457.50
101318	IFS4-300NN	49.2 × 49.2 in	25 mm	4	660 lb	0.02 lb	300 kg	0.01 kg	481 lb	\$23,457.50
101319	IFS4-600NN	49.2 × 49.2 in	35 mm	4	1,320 lb	0.05 lb	600 kg	0.02 kg	481 lb	\$23,457.50
101320	IFS4-1000NN	49.2 × 49.2 in	35 mm	4	2,200 lb	0.1 lb	1,000 kg	0.05 kg	481 lb	\$23,457.50
101321	IFS4-1500NN	49.2 × 49.2 in	35 mm	4	3,300 lb	0.1 lb	1,500 kg	0.05 kg	481 lb	\$23,457.50
101322	IFS4-3000NN	49.2 × 49.2 in	45 mm	4	6,600 lb	0.2 lb	3,000 kg	0.1 kg	481 lb	\$23,457.50
101323	IFS4-150RN	59.1 × 49.2 in	25 mm	4	330 lb	0.01 lb	150 kg	0.005 kg	547 lb	\$24,365.00
101324	IFS4-300RN	59.1 × 49.2 in	25 mm	4	660 lb	0.02 lb	300 kg	0.01 kg	547 lb	\$24,365.00
101325	IFS4-600RN	59.1 × 49.2 in	35 mm	4	1,320 lb	0.05 lb	600 kg	0.02 kg	547 lb	\$24,365.00
101326	IFS4-1000RN	59.1 × 49.2 in	35 mm	4	2,200 lb	0.1 lb	1,000 kg	0.05 kg	547 lb	\$24,365.00
101327	IFS4-1500RN	59.1 × 49.2 in	35 mm	4	3,300 lb	0.1 lb	1,500 kg	0.05 kg	547 lb	\$24,365.00
101328	IFS4-3000RN	59.1 × 49.2 in	45 mm	4	6,600 lb	0.2 lb	3,000 kg	0.1 kg	628 lb	\$24,365.00
101329	IFS4-150RR	59.1 × 59.1 in	35 mm	4	330 lb	0.01 lb	150 kg	0.005 kg	628 lb	\$25,300.00
101330	IFS4-300RR	59.1 × 59.1 in	35 mm	4	660 lb	0.02 lb	300 kg	0.01 kg	628 lb	\$25,300.00
101331	IFS4-600RR	59.1 × 59.1 in	35 mm	4	1,320 lb	0.05 lb	600 kg	0.02 kg	628 lb	\$25,300.00
101332	IFS4-1000RR	59.1 × 59.1 in	45 mm	4	2,200 lb	0.1 lb	1,000 kg	0.05 kg	628 lb	\$25,300.00
101333	IFS4-1500RR	59.1 × 59.1 in	45 mm	4	3,300 lb	0.1 lb	1,500 kg	0.05 kg	628 lb	\$25,300.00
101334	IFS4-3000RR	59.1 × 59.1 in	45 mm	4	6,600 lb	0.2 lb	3,000 kg	0.1 kg	739 lb	\$25,300.00
101335	IFS4-150WR	78.7 × 59.1 in	35 mm	4	330 lb	0.01 lb	150 kg	0.005 kg	739 lb	\$26,207.50
101337	IFS4-300WR	78.7 × 59.1 in	35 mm	4	660 lb	0.02 lb	300 kg	0.01 kg	739 lb	\$26,207.50
101338	IFS4-600WR	78.7 × 59.1 in	35 mm	4	1,320 lb	0.05 lb	600 kg	0.02 kg	739 lb	\$26,207.50
101339	IFS4-1000WR	78.7 × 59.1 in	45 mm	4	2,200 lb	0.1 lb	1,000 kg	0.05 kg	739 lb	\$26,207.50
101340	IFS4-1500WR	78.7 × 59.1 in	45 mm	4	3,300 lb	0.1 lb	1,500 kg	0.05 kg	739 lb	\$26,207.50
101341	IFS4-3000WR	78.7 × 59.1 in	45 mm	4	6,600 lb	0.2 lb	3,000 kg	0.1 kg	739 lb	\$26,207.50

PRECISION
INDUSTRIAL WEIGHING



PRECISION
INDUSTRIAL WEIGHING

Standard Features

- RS-485 interface is X-bus compatible
- IS platform calibrates and adjusts itself automatically using a built-in calibration weight with ISO TEST key
- High internal resolution guarantees reliable weight readouts
- Weighing results: up to 50 times/second
- All scales come standard with stainless steel load plate (wraparound design optional)
- Internal calibration (ISEDE and ISIGG models only)
- Optional RS-232C interface available

Specifications

- Power Requirements:**
10.6 VDC to 30 VDC supplied by external power
Supply, battery pack or Combics IS indicator
- Indicator Connectivity:**
Combics UV1
- Models Sensing:**
Force motor cell
- Stability:**
Weight stabilizes 1.5 second
- Weighing Design:**
Electro magnetic
- Indicators Options:**
Combics UV1 models
- Construction:**
Stainless steel platforms
Die-cast or galvanized base construction (model dependent)
- IP Rating:**
BBP/DCS: IP54
EDE: IP65
IGG: IP67
- Cable Length:**
6 m (20 ft)
- Warranty:**
Two-year limited, pending evaluation

Part Number/Price

Part #	Minebea Part #	Platform Size	# Load Cells	Capacity Readability	Capacity Readability	Capacity Readability	Est. Weight	Price
174127	ISBBP-06-H	Ø 4.5 in	1	1.6 lb	0.00002 lb	0.62 kg	0.001 g	19 lb \$4,922.50
174128	ISBBP-3-H	7.1 × 7.1 in	1	6.8 lb	0.00002 lb	3.1 kg	0.01 g	19 lb \$4,015.00
174129	ISBBP-6-H	7.1 × 7.1 in	1	13.7 lb	0.00002 lb	6.2 kg	0.01 g	19 lb \$5,170.00
102003	ISDCS-16-H	15.8 × 11.8 in	1	35 lb	0.0002 lb	16 kg	0.1 g	41 lb \$7,012.50
102004	ISDCS-35-H	15.8 × 11.8 in	1	75 lb	0.0002 lb	34 kg	0.1 g	41 lb \$8,415.00
102005	ISEDE-64-SV1	15.8 × 11.8 in	1	141 lb	0.002 lb	64 kg	1 g	41 lb \$7,727.50
102006	ISEDE-64-HV1	15.8 × 11.8 in	1	141 lb	0.0002 lb	64 kg	0.1 g	41 lb \$10,615.00
102008	ISIGG-150-HV1	32 × 24 in	1	330 lb	0.002 lb	150 kg	1 g	185 lb \$11,027.50
102009	ISIGG-300-HV1	32 × 24 in	1	660 lb	0.005 lb	300 kg	2 g	185 lb \$11,302.50
Special Order								
102012	ISIGG-150-DS1	32 × 24 in	1	330 lb	0.0002 lb	150 kg	0.1 g	185 lb \$11,825.00
102013	ISIGG-300-DS1	32 × 24 in	1	660 lb	0.0005 lb	300 kg	0.2 g	185 lb \$13,007.50

Options/Accessories

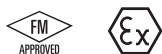
Part #	Minebea Part #	Description	Price
Consult	-	Interface mode (RS-485/422) required with Combics II indicators	Consult
Consult	-	DC power supply to weigh platform	Consult
Consult	YCC05_001M5	Cable, 25-pin to 9-pin D sub, cable for PC	Consult

Indicators

Part #	Minebea Part #	Description	Price
115668	CAISL1-UV1	Combics 1 indicator for IS base, IP44	\$2,266.00
115670	CAISL2-UV1	Combics 2 indicator for IS base, IP44	\$2,629.00
Consult	CAISL3-UV1	Combics 3 indicator for IS base, IP44	\$2,121.00
115671	CAIS1-UV1	Combics 1 indicator for IS base, IP69K	\$2,607.00
115673	CAIS2-UV1	Combics 2 indicator for IS base, IP69K	\$3,107.50
115674	CAIS3-UV1	Combics 3 indicator for IS base, IP69K	\$3,712.50



Approvals



Part Number/Price

Part #	Minebea Part #	Description	Platform Dimensions	Price
Painted				
155866	SIWXSBBP-3-06-H	1.3 × 0.00002 lb (0.62 kg × 0.001 g)	Ø 5 in	\$8,250.00
155867	SIWXSBBP-3-3-H	6.8 × 0.00002 lb (3.1 kg × 0.01 g)	7.1 × 7.1 in	\$5,885.00
155868	SIWXSBBP-3-6-H	13.5 × 0.00002 lb (6.1 kg × 0.01 g)	7.1 × 7.1 in	\$7,205.00
155870	SIWXSDCP-3-35-H	75 × 0.0002 lb (35 kg × 0.1 g)	13.7 × 9.7 in	\$7,782.50
Stainless				
155871	SIWXSBBP-3-3-H	6.8 × 0.00002 lb (3.1 kg × 0.01 g)	7.1 × 7.1 in	\$8,855.00
155872	SIWXSBBP-3-6-H	13.5 × 0.0002 lb (6.1 kg × 0.01 g)	7.1 × 7.1 in	\$9,845.00
155873	SIWXSDCS-3-35-H	75 × 0.0002 lb (35 kg × 0.1 g)	13.7 × 9.7 in	\$9,432.50

Options/Accessories

Part #	Minebea Part #	Description	Price
46518	YPS02-XUR	Hazardous area power supply - (FM approved for use in the USA) (8 ft. of intrinsic cable and 8 ft. of cable requiring hard wiring by licensed electrician)	\$2,942.50
103066	YPS02-XKR	Hazardous area power supply - (CSA approved for use in Canada) (8 ft. of intrinsic cable and 8 ft. of cable requiring hard wiring by a licensed electrician)	\$2,942.50
46517	YPS02-ZKR	Safe area power supply (3 ft to wall plug and 65 ft of intrinsically safe cable to the scale)	\$1,991.00
103055	YDI05-ZU2	Zener barrier hazardous area RS-232 to RS-232 converter, 14-pin plug	\$1,441.00
103059	YDI05-ZU3	Zener barrier hazardous area RS-422 to RS-232 (requires 6971413, RL 50232, power supply) cable connection not included	\$1,375.00
153218	YDH01P	Column for DCP platforms, height 19 in, painted	\$803.00
155884	YDH02P	Column for BBP platforms, height 15.75 in, painted	\$858.00
Consult	YDH01CWSUS	Column for DCS platform, height 13 in, stainless steel	Consult
Consult	YDH02CWSUS	Column for DCS platform, height 19.6 in, stainless steel	Consult
Consult	YDH03CWSUS	Column for DCS platform, height 25.5 in, stainless steel	Consult
Consult	YDH02S	Column for BBS platform, height 15.75 in, stainless steel	Consult
103068	YRB02-X	Rechargeable battery (requires 103069 battery charger)	\$2,354.00
103069	YRB02-LD	Battery charger (requires power cord)	\$544.50
103057	YCC422-X	Cable without connectors for RS-422	\$22.00/ft
102078	6971954	Power cord	\$31.90

Standard Features

- Monolithic weighing system
- Resolution up to 620,000 d
- Stainless steel weighing pan
- Requires YPS02-XUR (RL # 46518), US hazardous area or YPS02-ZKR (RL# 46517) safe area connection

Specifications

Power Supply Safe Area:

ATEX: YPSC01-Z
 FM/CSA: YPS02-ZKR (PN 46517)

Power Supply Hazardous Area:

ATEX: YPSC01-X

Battery Operation n:

Via external battery YRB02-X (103068) Charger PN 103069

Supply Voltage:

Via external power supply, connection via 14-Pin round socket (20 cm cable)

Net Weight/Gross Weight:

SIWXSBBP, SIWXSBBP: 19.8/23.8 lb (9.0/10.8 kg)
 SIWXSDCP, SIWXSDCS: 33/39.6 lb (15.0/18.0 kg)

Data Interfaces:

RS-232
 Can be switched to RS-485 or RS-422 connection via 14-Pin round socket

Temperature:

Operating:
 SIWXSBBP, SIWXSBBP: 50 °F to 104 °F (10 °C to 40 °C)
 SIWXSDCP, SIWXSDCS: 14 °F to 104 °F (-10 °C to 40 °C)

Packaging Dimensions:

(L × W × H)
 SIWXSBBP, SIWXSBBP: 22.4 × 15.7 × 14.5 in (570 × 400 × 370 mm)
 SIWXSDCP, SIWXSDCS: 20 × 17.3 × 16.1 in (510 × 440 × 410 mm)

Material:

SIWXSBBP, SIWXSDCP: Stainless steel display unit, painted platform with stainless steel load plate
 SIWXSBBP, SIWXSDCS: Brushed stainless steel

IP Rating:

IP65
 IP44 Zone 1 ONLY: SIWXSBBP, SIWXSBBP 1.3 lb (0.6 kg)

Cable Length:

2 m (6.6 ft) between display unit and platform

Warranty:

Two-year limited, pending evaluation

Approvals:

FM Class I, II, III; Div. 1; Groups ABCDEFG and T4
 IECEx/ATEX Zone 1/2/21/22

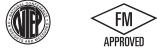
PRECISION INDUSTRIAL WEIGHING

Combics® 2 Ex

Explosion-proof Digital Weight Indicator



Approvals



Standard Features

- Amber backlit LCD dot matrix display
- Three-way unit toggle; 10x higher resolution toggle
- Two header line storage
- Battery charge status display (with connection of battery pack)
- Numeric keypad with two IDs for entering identifier codes and preset tare
- Date/time fully integrated
- GMP printable record
- Three built-in LED checkweighing lights
- Bar graph weighing range indicator
- Application data and totalization memory stored in battery-backed RAM

- Requires power supply
- Power supply can be provided by 110 to 220 VAC connections, 24 VDC industrial power module (each suitable for hazardous and safe areas) and a rechargeable battery pack in stainless steel casing

Applications

- Pre-installed software for counting, checkweighing, differential weighing, percentage weighing, gross-net-tare, sorting, net-total, animal weighing
- Weighbridge connectivity: maximum two precision weighing platforms or load cells, and one precision platform or 1 Combics Ex and one precision platform

Specifications

Power Requirements:

110 to 220 VAC and 24 VDC

Excitation Voltage:

6 V

Load Cell Connection:

Four- or six-wire

Annunciators:

Gross/Net toggle

Keys/Buttons:

On/Off, Zero, Tare, Print/Data

Dimensions:

(L × W × H)
11.9 × 7.4 × 3.5 in
(302 × 188 × 90 mm)

Temperature:

Operating:
14 °F to 104 °F (-10 °C to 40 °C)

Rating/Material:

NEMA Type 4X, IP69K
304 stainless steel

Warranty:

Two-year limited, pending evaluation

Approvals:

NTEP 19-055
FM Class 1,2,3, Division 1, Groups ABCDEFG and temperature class T4

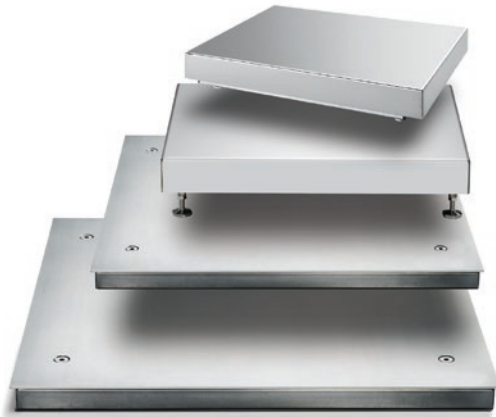
PRECISION INDUSTRIAL WEIGHING

Part Number/Price

Part #	Minebea Part #	Description	Est. Weight	Price
158644	CAIXS2-U	Indicator, CAIXS2-U IP69K protection rated	7 lb	\$3,300.00
197168	CAIXS2-UA19M26	Indicator, CAIXS2 EX IS-X	7 lb	\$3,905.00

Options/Accessories

Part #	Minebea Part #	Description	Price
46518	YPS02-XUR	Power supply, hazardous area, United States	\$2,942.50
46517	YPS02-ZKR	Power supply, safe area, 65 ft cable	\$1,991.00
103068	YRB02-X	Battery pack, 30+ hours (requires 103069)	\$2,354.00
103069	YRB02-LD	Charger for battery pack	\$544.50
103054	YCC02-XR14F02	Quick disconnect cable, for Zener barrier	\$379.50
155882	YDI05-ZU1	Zener barrier	\$1,408.00
155918	A19	485 interface (IS-X Base)	\$687.50
155919	M26	Cable to IS-X	\$379.50
105607	YDH02CISUS	Wall mount bracket	\$143.00
156440	YDH01CWSUS	Post mount assembly for 10 × 10 in platforms, 13 in high	\$390.50
156441	YDH02CWSUS	Post mount assembly for 12 × 12 in platforms, 19 in high	\$401.50
156442	YDH03CWSUS	Post mount assembly for 18 × 18 in platforms, 29 in high	\$473.00



*GLP/GMP requires use of Combics 1 Plus or higher digital weight indicator

Specifications

Indicator Option:

CIXS3-U

Temperature:

Operating:
14 °F to 104 °F (-10 °C to 40 °C)

Rating/Materials:

NEMA Type 4, IP67
Load cells IP68, hermetically sealed

Cable Length:

Up to 30 × 30: 10 ft
36 × 36 and over: 20 ft

Warranty:

Two-year limited, pending evaluation

Approvals:

FM approved Classes 1,2,3, Division 1, Groups ABCDEGFT4, US and Canadian hazardous areas, when used with CIXS3-U or FCT01-X indicator

Approvals



Standard Features

- Can be used in areas where explosive gas and dust mixtures occur
- Documentation to verify intrinsic safety available upon request
- Built for easy cleaning and disinfection
- Meets HACCP and FDA requirements for the food industry
- Pit frames for flush mounting available
- High resolution of 30,000 d

Applications

- Pharmaceutical, chemical, electronics, food processing, precious metals, metal production and processing
- Regulatory Compliance: NEMA, HACCP, FDA, GLP/GMP*, FM

*GLP/GMP requires use of Combics 1 Plus or higher digital weight indicator

Part Number/Price

Part #	Minebea Part #	Dimensions	Height Adjustment	# Load Cells	Capacity Readability	Capacity Readability	Capacity Readability	Est. Weight	Price
100919	CAPXS1U-10CC	10 × 10 in	2.37 in	1	15 lb	0.0005 lb	6 kg	0.0002 kg	16 lb \$1,771.00
100920	CAPXS1U-20CC	10 × 10 in	2.37 in	1	30 lb	0.001 lb	15 kg	0.0005 kg	16 lb \$1,771.00
100921	CAPXS1U-50CC	10 × 10 in	2.37 in	1	60 lb	0.002 lb	30 kg	0.001 kg	16 lb \$1,771.00
100922	CAPXS1U-50DD	12 × 12 in	3.87 in	1	60 lb	0.002 lb	30 kg	0.001 kg	24 lb \$1,892.00
100923	CAPXS1U-100DD	12 × 12 in	3.87 in	1	150 lb	0.005 lb	60 kg	0.002 kg	24 lb \$1,892.00
100924	CAPXS1U-50EE	18 × 18 in	3.5 in	1	60 lb	0.002 lb	30 kg	0.001 kg	62 lb \$2,475.00
100925	CAPXS1U-100EE	18 × 18 in	3.5 in	1	150 lb	0.005 lb	60 kg	0.002 kg	62 lb \$2,475.00
100926	CAPXS1U-200EE	18 × 18 in	3.5 in	1	200 lb	0.01 lb	100 kg	0.005 kg	62 lb \$2,475.00
100934	CAPXS4U-250GG	24 × 24 in	3.31 in	4	300 lb	0.01 lb	150 kg	0.005 kg	12 lb \$7,782.50
100935	CAPXS4U-500GG	24 × 24 in	3.31 in	4	600 lb	0.02 lb	300 kg	0.01 kg	12 lb \$7,782.50
100943	CAPXS4U-500HH	30 × 30 in	3.31 in	4	600 lb	0.02 lb	300 kg	0.01 kg	187 lb \$8,497.50
100944	CAPXS4U-1000HH	30 × 30 in	3.31 in	4	1,500 lb	0.05 lb	600 kg	0.02 kg	187 lb \$8,497.50
100945	CAPXS4U-1000KK	36 × 36 in	3.75 in	4	1,500 lb	0.05 lb	600 kg	0.02 kg	250 lb \$10,367.50
100946	CAPXS4U-2500KK	36 × 36 in	3.75 in	4	3,000 lb	0.1 lb	1,500 kg	0.05 kg	250 lb \$10,367.50
100947	CAPXS4U-5000KK	36 × 36 in	3.75 in	4	6,000 lb	0.2 lb	3,000 kg	0.1 kg	250 lb \$10,367.50
100949	CAPXS4U-2500NN	48 × 48 in	3.75 in	4	3,000 lb	0.1 lb	1,500 kg	0.05 kg	390 lb \$12,952.50
100950	CAPXS4U-5000NN	48 × 48 in	3.75 in	4	6,000 lb	0.2 lb	3,000 kg	0.1 kg	390 lb \$12,952.50

IF Series

Explosion-proof Platform Scales



Shown with additional optional features

Approvals



Standard Features

- Capacities from 150 to 3,000 kg (330 to 6,613 lb) with resolutions up to 30,000 d
- Drive-on ramp included with every platform
- No pit required
- Convenient for application-oriented weighing systems from processing to the chemical industry

Optional Configurations

- Electro-polished finish
- AISI 304 electro-polished stainless steel platform
- AISI 316Ti electro-polished stainless steel platform
- Ingenious manually-operated lifting mechanism option (patented system) for effortless raising of the platform to facilitate cleaning underneath.
- R2: Cold rolled AISI 316Ti stainless steel, electro-polished
- R6: AISI 304 2b stainless steel, electro-polished

- T4: Stop bar
- T5: Tow bar and stop bar
- T6: Two handles and two rollers
- T7: Retractable wheels (reduces effective resolution to 15,000 dd)
- T9: Additional bottom plate
- T15: Second ramp
- T14: Integrated column
- T13: Four handles

Applications

- Pharmaceutical, chemical, electronics, food processing, precious metals, metal production and processing

Specifications

Rating/Material:

AISI
304 bead-blasted stainless steel
Load cells IP68, hermetically sealed

Cable Length:

19.7 ft (6 m)

Regulatory Compliance:

NEMA, HACCP, FDA, GLP/GMP*, Class 10,000 clean rooms (US Federal Standard 209D) (equivalent to Class C in accordance with EEC-GWP), FM

*GLP/GMP requires use of Combics 1 Plus or higher digital weight indicator

Warranty:

Two-year limited, pending evaluation

Approvals:

FM approved, IFXS4 series, are certified for use in Class 1,2,3, Div. 1, Groups ABCDEFT4 (Verification of Intrinsic Safety included also covers any explosion protected Minebea components combined with this platform series)



Part Number/Price

Part #	Minebea Part #	Weighing Surface Dimensions	# Load Cells	Capacity Readability	Capacity Readability	Capacity Readability	Est. Weight	Price
102530	IFXS4-150GG	23.6 × 23.6 in	4	330 lb	0.01 lb	150 kg	0.005 kg	198 lb \$18,177.50
102531	IFXS4-300GG	23.6 × 23.6 in	4	660 lb	0.02 lb	300 kg	0.01 kg	198 lb \$18,177.50
102532	IFXS4-600GG	23.6 × 23.6 in	4	1,320 lb	0.05 lb	600 kg	0.02 kg	198 lb \$18,177.50
102533	IFXS4-1000GG	23.6 × 23.6 in	4	2,200 lb	0.1 lb	1,000 kg	0.05 kg	198 lb \$18,177.50
102534	IFXS4-150IG	31.5 × 23.6 in	4	330 lb	0.01 lb	150 kg	0.005 kg	221 lb \$18,507.50
102536	IFXS4-300IG	31.5 × 23.6 in	4	660 lb	0.02 lb	300 kg	0.01 kg	221 lb \$18,507.50
102537	IFXS4-600IG	31.5 × 23.6 in	4	1,320 lb	0.05 lb	600 kg	0.02 kg	221 lb \$18,507.50
102538	IFXS4-1000IG	31.5 × 23.6 in	4	2,200 lb	0.1 lb	1,000 kg	0.05 kg	221 lb \$18,507.50
102540	IFXS4-150II	31.5 × 31.5 in	4	330 lb	0.01 lb	150 kg	0.005 kg	243 lb \$18,810.00
102541	IFXS4-300II	31.5 × 31.5 in	4	660 lb	0.02 lb	300 kg	0.01 kg	243 lb \$18,810.00
102542	IFXS4-600II	31.5 × 31.5 in	4	1,320 lb	0.05 lb	600 kg	0.02 kg	243 lb \$18,810.00
102543	IFXS4-1000II	31.5 × 31.5 in	4	2,200 lb	0.1 lb	1,000 kg	0.05 kg	243 lb \$18,810.00
102544	IFXS4-1500II	31.5 × 31.5 in	4	3,300 lb	0.1 lb	1,500 kg	0.05 kg	243 lb \$18,810.00
102545	IFXS4-150LG	39.4 × 23.6 in	4	330 lb	0.01 lb	150 kg	0.005 kg	243 lb \$19,442.50
102546	IFXS4-300LG	39.4 × 23.6 in	4	660 lb	0.02 lb	300 kg	0.01 kg	243 lb \$19,442.50
102547	IFXS4-600LG	39.4 × 23.6 in	4	1320 lb	0.05 lb	600 kg	0.02 kg	243 lb \$19,442.50
102548	IFXS4-1000LG	39.4 × 23.6 in	4	2,200 lb	0.1 lb	1,000 kg	0.05 kg	243 lb \$19,442.50
102549	IFXS4-1500LG	39.4 × 23.6 in	4	3,300 lb	0.1 lb	1,500 kg	0.05 kg	243 lb \$19,442.50
102550	IFXS4-150LI	39.4 × 31.5 in	4	330 lb	0.01 lb	150 kg	0.005 kg	265 lb \$20,102.50
102551	IFXS4-300LI	39.4 × 31.5 in	4	660 lb	0.02 lb	300 kg	0.01 kg	265 lb \$20,102.50
102552	IFXS4-600LI	39.4 × 31.5 in	4	1,320 lb	0.05 lb	600 kg	0.02 kg	265 lb \$20,102.50
102553	IFXS4-1000LI	39.4 × 31.5 in	4	2,200 lb	0.1 lb	1,000 kg	0.05 kg	265 lb \$20,102.50

Rails add 16.1 in to width

Part Number/Price

Part #	Minebea Part #	Weighing Surface Dimensions	# Load Cells	Capacity Readability	Capacity Readability	Capacity Readability	Est. Weight	Price	
102554	IFXS4-1500LI	39.4 × 31.5 in	4	3,330 lb	0.1 lb	1,500 kg	0.05 kg	265 lb	\$20,102.50
102555	IFXS4-150LL	39.4 × 39.4 in	4	330 lb	0.01 lb	150 kg	0.005 kg	375 lb	\$21,037.50
102556	IFXS4-300LL	39.4 × 39.4 in	4	660 lb	0.02 lb	300 kg	0.01 kg	375 lb	\$21,037.50
102557	IFXS4-600LL	39.4 × 39.4 in	4	1,320 lb	0.05 lb	600 kg	0.02 kg	375 lb	\$21,037.50
102558	IFXS4-1000LL	39.4 × 39.4 in	4	2,200 lb	0.1 lb	1,000 kg	0.05 kg	375 lb	\$21,037.50
102559	IFXS4-1500LL	39.4 × 39.4 in	4	3,330 lb	0.1 lb	1,500 kg	0.05 kg	375 lb	\$21,037.50
102560	IFXS4-3000LL	39.4 × 39.4 in	4	6,660 lb	0.2 lb	3,000 kg	0.1 kg	375 lb	\$21,037.50
102561	IFXS4-150NL	49.2 × 39.4 in	4	330 lb	0.01 lb	150 kg	0.005 kg	397 lb	\$21,862.50
102562	IFXS4-300NL	49.2 × 39.4 in	4	660 lb	0.02 lb	300 kg	0.01 kg	397 lb	\$21,862.50
102563	IFXS4-600NL	49.2 × 39.4 in	4	1,320 lb	0.05 lb	600 kg	0.02 kg	397 lb	\$21,862.50
102564	IFXS4-1000NL	49.2 × 39.4 in	4	2,200 lb	0.1 lb	1,000 kg	0.05 kg	397 lb	\$21,862.50
102565	IFXS4-1500NL	49.2 × 39.4 in	4	3,330 lb	0.1 lb	1,500 kg	0.05 kg	397 lb	\$21,862.50
102566	IFXS4-3000NL	49.2 × 39.4 in	4	6,660 lb	0.2 lb	3,000 kg	0.1 kg	397 lb	\$21,862.50
102567	IFXS4-150NN	49.2 × 49.2 in	4	330 lb	0.01 lb	150 kg	0.005 kg	481 lb	\$22,797.50
102568	IFXS4-300NN	49.2 × 49.2 in	4	660 lb	0.02 lb	300 kg	0.01 kg	481 lb	\$22,797.50
102569	IFXS4-600NN	49.2 × 49.2 in	4	1,320 lb	0.05 lb	600 kg	0.02 kg	481 lb	\$22,797.50
102570	IFXS4-1000NN	49.2 × 49.2 in	4	2,200 lb	0.1 lb	1,000 kg	0.05 kg	481 lb	\$22,797.50
102571	IFXS4-1500NN	49.2 × 49.2 in	4	3,330 lb	0.1 lb	1,500 kg	0.05 kg	481 lb	\$22,797.50
102572	IFXS4-3000NN	49.2 × 49.2 in	4	6,660 lb	0.2 lb	3,000 kg	0.1 kg	481 lb	\$22,797.50
102573	IFXS4-150RN	59.1 × 49.2 in	4	330 lb	0.01 lb	150 kg	0.005 kg	547 lb	\$23,677.50
102574	IFXS4-300RN	59.1 × 49.2 in	4	660 lb	0.02 lb	300 kg	0.01 kg	547 lb	\$23,677.50
102575	IFXS4-600RN	59.1 × 49.2 in	4	1,320 lb	0.05 lb	600 kg	0.02 kg	547 lb	\$23,677.50
102576	IFXS4-1000RN	59.1 × 49.2 in	4	2,200 lb	0.1 lb	1,000 kg	0.05 kg	547 lb	\$23,677.50
102577	IFXS4-1500RN	59.1 × 49.2 in	4	3,330 lb	0.1 lb	1,500 kg	0.05 kg	547 lb	\$23,677.50
102578	IFXS4-3000RN	59.1 × 49.2 in	4	6,660 lb	0.2 lb	3,000 kg	0.1 kg	547 lb	\$23,677.50
102579	IFXS4-150RR	59.1 × 59.1 in	4	330 lb	0.01 lb	150 kg	0.005 kg	628 lb	\$24,557.50
102580	IFXS4-300RR	59.1 × 59.1 in	4	660 lb	0.02 lb	300 kg	0.01 kg	628 lb	\$24,557.50
102581	IFXS4-600RR	59.1 × 59.1 in	4	1,320 lb	0.05 lb	600 kg	0.02 kg	628 lb	\$24,557.50
102582	IFXS4-1000RR	59.1 × 59.1 in	4	2,200 lb	0.1 lb	1,000 kg	0.05 kg	628 lb	\$24,557.50
102583	IFXS4-1500RR	59.1 × 59.1 in	4	3,330 lb	0.1 lb	1,500 kg	0.05 kg	628 lb	\$24,557.50
102584	IFXS4-3000RR	59.1 × 59.1 in	4	6,660 lb	0.2 lb	3,000 kg	0.1 kg	628 lb	\$24,557.50
102585	IFXS4-150WR	78.7 × 59.1 in	4	330 lb	0.01 lb	150 kg	0.005 kg	739 lb	\$25,465.00
102586	IFXS4-300WR	78.7 × 59.1 in	4	660 lb	0.02 lb	300 kg	0.01 kg	739 lb	\$25,465.00
102587	IFXS4-600WR	78.7 × 59.1 in	4	1,320 lb	0.05 lb	600 kg	0.02 kg	739 lb	\$25,465.00
102588	IFXS4-1000WR	78.7 × 59.1 in	4	2,200 lb	0.1 lb	1,000 kg	0.05 kg	739 lb	\$25,465.00
102589	IFXS4-1500WR	78.7 × 59.1 in	4	3,330 lb	0.1 lb	1,500 kg	0.05 kg	739 lb	\$25,465.00
102590	IFXS4-3000WR	78.7 × 59.1 in	4	6,660 lb	0.2 lb	3,000 kg	0.1 kg	739 lb	\$25,465.00

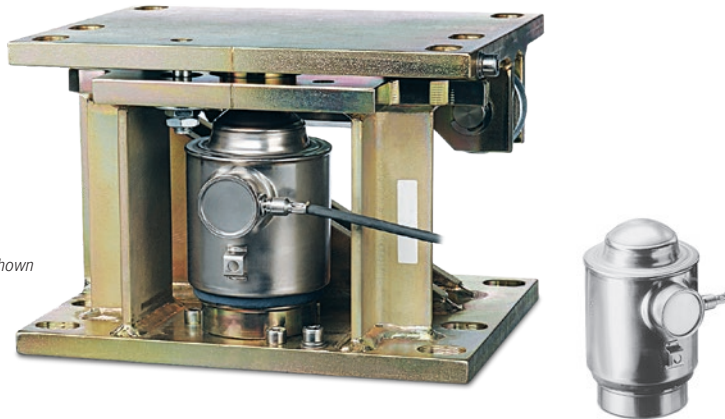
Rails add 16.1 in to width

Options/Accessories - Not Available On All Models

Part #	Description	Price
T4	Stop bar	Consult
T5	Tow bar and stop bar	Consult
T6	Two handles and two rollers	Consult
T7	Retractable wheels	Consult
T9	Bottom plate	Consult
T13	Four handles	Consult
T14	Integrated column	Consult
T15	Second ramp	Consult
Stainless Steel		
R2	316, T1, 2B cold-rolled steel, electropolished stainless steel	Consult
R6	304, 2B cold-rolled steel, electropolished stainless steel	Consult

Note: Consult factory for lifting device options and compatibility of combined options

PRECISION
INDUSTRIAL WEIGHING



Junction box not shown

The zinc-plated star mount kit is optimized for the Inteco load cell family to guarantee the best weighing performance. It covers a capacity range from 500 kg up to 300 t. The special design allows a horizontal displacement in the unconstrained direction of the load cell. All constrainters are 100% maintenance free. There are two different materials available: stainless steel or mild steel zinc plated. Its unique design includes a dummy functionality to install the vessel without load cell. The top load disc remains in place even when the load cell is not mounted. The design principle integrates a lift-off protection and built-in stops.

Standard Features

- Fast and easy installation
- Mounting kit with dummy function included
- Designed to withstand high lateral forces
- Maintenance-free constrainters and module construction
- Patent pending DE 101 38 435A1
- Approval Certificate "Germanischer Lloyd" No. 47-458-03HH
- Load cell output 1 mV/V
- 15-year load cell warranty
- 10,000 division load cell
- 45 kN zinc-plated mount destructive lateral force; 20 kN permissible lift-off protection
- Foot 20 kN lateral force and lift-off protection

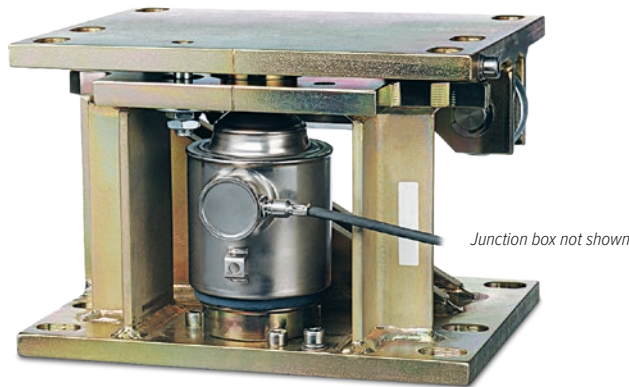
Zinc-Plated Steel Models

Part #	Minebea Part #	Total Capacity		Load Cell Capacity		Price
3-Module Kit						
158706	Inteco-1531-U	3,300 lb	1,500 kg	1,100 lb	500 kg	\$9,735.00
158708	Inteco-3031-U	6,600 lb	3,000 kg	2,200 lb	1,000 kg	\$9,735.00
158710	Inteco-6031-U	13,200 lb	6,000 kg	4,400 lb	2,000 kg	\$9,735.00
158712	Inteco-9031-U	19,800 lb	9,000 kg	6,600 lb	3,000 kg	\$9,735.00
158716	Inteco-15031-U	33,000 lb	15,000 kg	11,025 lb	5,000 kg	\$10,037.50
158719	Inteco-30031-U	66,000 lb	30,000 kg	22,050 lb	10,000 kg	\$10,835.00
158721	Inteco-60031-U	132,000 lb	60,000 kg	44,100 lb	20,000 kg	\$11,192.50
158723	Inteco-90031-U	198,000 lb	90,000 kg	66,140 lb	30,000 kg	\$11,660.00
158725	Inteco-150031-U	330,500 lb	150,000 kg	110,200 lb	50,000 kg	\$12,787.50
4-Module Kit						
158707	Inteco-2041-U	4,400 lb	2,000 kg	1,100 lb	500 kg	\$12,045.00
158709	Inteco-4041-U	8,800 lb	4,000 kg	2,200 lb	1,000 kg	\$12,045.00
158711	Inteco-8041-U	17,600 lb	8,000 kg	4,400 lb	2,000 kg	\$12,045.00
158713	Inteco-12041-U	26,400 lb	12,000 kg	6,600 lb	3,000 kg	\$12,045.00
158718	Inteco-20041-U	44,000 lb	20,000 kg	11,025 lb	5,000 kg	\$12,430.00
158720	Inteco-40041-U	88,000 lb	40,000 kg	22,050 lb	10,000 kg	\$13,502.50
158722	Inteco-80041-U	176,000 lb	80,000 kg	44,100 lb	20,000 kg	\$13,997.50
158724	Inteco-120041-U	264,500 lb	120,000 kg	66,140 lb	30,000 kg	\$14,602.50
158726	Inteco-200041-U	440,500 lb	200,000 kg	110,200 lb	50,000 kg	\$16,115.00

Complete Kit Includes:

Inteco load cell, PR6001/10 (11) mount, junction box, load cell extension cable;

Four-mount kit includes PR6001/00 or (01) N foot



The stainless steel star mount kit is optimized for the Inteco load cell family to guarantee the best weighing performance. It covers a capacity range from 500 kg to 300 t. The special design allows a horizontal displacement in the unconstrained direction of the load cell. All constrainers are 100% maintenance-free. There are two different materials available: stainless steel or zinc-plated mild steel. Its unique design includes a dummy functionality to install the vessel without a load cell. The top load disc remains in place even when the load cell is not mounted. The design principle integrates a lift-off protection and built-in stops.

Load Cell Certifications



Stainless Steel Models

Part #	Minebea Part #	Total Capacity		Load Cell Capacity		Price
3-Module Kit						
158727	Inteco-1532-U	3,300 lb	1,500 kg	1,100 lb	500 kg	\$11,907.50
158788	Inteco-3032-U	6,600 lb	3,000 kg	2,200 lb	1,000 kg	\$11,907.50
158731	Inteco-6032-U	13,200 lb	6,000 kg	4,400 lb	2,000 kg	\$14,685.00
158733	Inteco-9032-U	19,800 lb	9,000 kg	6,600 lb	3,000 kg	\$11,907.50
158735	Inteco-15032-U	33,000 lb	15,000 kg	11,025 lb	5,000 kg	\$12,182.50
158737	Inteco-30032-U	66,000 lb	30,000 kg	22,050 lb	10,000 kg	\$13,007.50
158739	Inteco-60032-U	132,000 lb	60,000 kg	44,100 lb	20,000 kg	\$13,392.50
158741	Inteco-90032-U	198,000 lb	90,000 kg	66,140 lb	30,000 kg	\$13,832.50
158743	Inteco-150032-U	330,500 lb	150,000 kg	110,200 lb	50,000 kg	\$14,960.00
4-Module Kit						
158729	Inteco-2042-U	4,400 lb	2,000 kg	1,100 lb	500 kg	\$14,685.00
158730	Inteco-4042-U	8,800 lb	4,000 kg	2,200 lb	1,000 kg	\$11,907.50
158732	Inteco-8042-U	17,600 lb	8,000 kg	4,400 lb	2,000 kg	\$11,907.50
158734	Inteco-12042-U	26,400 lb	12,000 kg	6,600 lb	3,000 kg	\$11,907.50
158736	Inteco-20042-U	44,000 lb	20,000 kg	11,025 lb	5,000 kg	\$15,097.50
158738	Inteco-40042-U	88,000 lb	40,000 kg	22,050 lb	10,000 kg	\$16,170.00
158740	Inteco-80042-U	176,000 lb	80,000 kg	44,100 lb	20,000 kg	\$16,665.00
158742	Inteco-120042-U	264,500 lb	120,000 kg	66,140 lb	30,000 kg	\$17,270.00
158744	Inteco-200042-U	440,500 lb	200,000 kg	110,200 lb	50,000 kg	\$18,782.50

Complete Kit Includes:

Inteco load cell, PR6001/10 (11) mount, junction box, load cell extension cable;

Four-mount kit includes PR6001/00 or (01) N foot

Standard Features

- Fast and easy installation
- Mounting kit with dummy function included
- Inteco load cell for capacities ranging from 500 kg to 300 t
- Designed to withstand high lateral forces
- Maintenance-free constrainer and module construction
- Patent pending DE 101 38 435A1
- Approval Certificate "Germanischer Lloyd" No. 47-458-03HH
- Load cell output 1 mV/V
- 15-year load cell warranty
- 10,000 division load cell
- 39 kN stainless steel mount destructive lateral force; 20 kN permissible lift-off protection
- Foot 20 kN lateral force and lift-off protection

MINEBEA INTEC
PR6202

Hygienic Weigh Module Kits



The PR6202 range of load cells is specially designed to meet the high demands of the food, pharmaceutical and chemical industries. These products are made completely from stainless steel and are specially designed for use with process vessels. All horizontal surfaces are inclined for easy draining, and gaps and undercuts have purposely been avoided. The materials and surface quality were also selected to ensure the load cell meets tried and tested international standards and specifications. Its unique design principle enables it to compensate for motions caused by mechanical/thermal contractions or expansions of containers and/or padding construction in combination with its mounting kit, which has been specially designed for this area of application. The PR6202 is designed for consistent, high accuracy.

Standard Features

- Proven rocker pin principle for accurate repeatability
- Easy corner adjustment by matched load cell output
- All stainless steel construction (316 stainless steel load cells)
- Wide operating temperature range
- High overload capacity
- Resists vibration for consistent high accuracy
- Hermetically sealed, IP68/69K (depth of 1.5 m for 10,000 hours)
- EX-version available (PR 6202/.E)
- 10,000 division load cell, 2 mV/V
- 15-year warranty
- 50 kN destructive lateral force, and 25 kN permissible lift-off protection
- Foot 35 kN lateral force and lift-off protection

Load Cell Certifications



Zinc-Plated Steel Options

Part #	Minebea Part #	Total Capacity	Load Cell Capacity		Price	
3-Module Kit						
158761	PR6202-3032-U	6,600 lb	3,000 kg	2,200 lb	1,000 kg	\$15,840.00
158764	PR6202-6032-U	13,200 lb	6,000 kg	4,400 lb	2,000 kg	\$15,840.00
158767	PR6202-12032-U	26,000 lb	12,000 kg	8,820 lb	4,000 kg	\$16,280.00
158770	PR6202-18032-U	39,500 lb	18,000 kg	13,230 lb	6,000 kg	\$16,280.00
158772	PR6202-30032-U	66,000 lb	30,000 kg	22,050 lb	10,000 kg	\$16,280.00
158929	PR6202-75032-U	165,000 lb	75,000 kg	55,120 lb	25,000 kg	\$16,720.00
158775	PR6202-150032-U	330,500 lb	150,000 kg	110,230 lb	50,000 kg	\$19,002.50
4-Module Kit						
158762	PR6202-4042-U	8,800 lb	4,000 kg	2,200 lb	1,000 kg	\$19,690.00
158765	PR6202-8042-U	17,600 lb	8,000 kg	4,400 lb	2,000 kg	\$19,690.00
158769	PR6202-16042-U	35,000 lb	16,000 kg	8,820 lb	4,000 kg	\$20,267.50
158771	PR6202-24042-U	52,900 lb	24,000 kg	13,230 lb	6,000 kg	\$20,267.50
158773	PR6202-40042-U	88,000 lb	40,000 kg	22,050 lb	10,000 kg	\$20,267.50
158774	PR6202-100042-U	220,000 lb	100,000 kg	55,120 lb	25,000 kg	\$20,845.00
158776	PR6202-200042-U	440,500 lb	200,000 kg	110,230 lb	50,000 kg	\$23,897.50

Complete Kit Includes:
 PR6202 load cell, PR6002/10S (11S) mount, junction box, load cell extension cable;
 Four-mount kit includes PR6002/04S or (05S) foot

**PRECISION
 INDUSTRIAL WEIGHING**

Contego-Hygienic Weigh Module Kits

Lateral Cable Outlet



Junction box not shown

Load Cell Certifications



Options/Accessories

Part #	Type	Minebea Part #	Description	Price
160438	PR6041/80S	9405 360 41802	Bottom plate, tank leg connection	\$544.50

Lateral Cable Outlet Options

Part #	Minebea Part #	Total Capacity	Load Cell Capacity		Price
3-Module Kit					
158832	CTG-332A-U	660 lb	300 kg	220 lb / 100 kg	\$12,567.50
158834	CTG-632A-U	1,300 lb	600 kg	440 lb / 200 kg	\$12,567.50
158892	CTG-932A-U	1,900 lb	900 kg	660 lb / 300 kg	\$12,567.50
158837	CTG-1532A-U	3,300 lb	1500 kg	1,100 lb / 500 kg	\$12,567.50
158839	CTG-3032A-U	6,600 lb	3000 kg	2,200 lb / 1,000 kg	\$12,567.50
158841	CTG-6032A-U	13,200 lb	6,000 kg	4,400 lb / 2,000 kg	\$12,567.50
4-Module Kit					
158833	CTG-442A-U	880 lb	400 kg	220 lb / 100 kg	\$16,472.50
158835	CTG-842A-U	1,700 lb	800 kg	440 lb / 200 kg	\$16,472.50
158836	CTG-1242A-U	2,500 lb	1200 kg	660 lb / 300 kg	\$16,472.50
158838	CTG-2042A-U	4,400 lb	2000 kg	1,100 lb / 500 kg	\$16,472.50
158840	CTG-4042A-U	8,800 lb	4000 kg	2,200 lb / 1,000 kg	\$16,472.50
158842	CTG-8042A-U	17,600 lb	8000 kg	4,400 lb / 2,000 kg	\$16,472.50

Complete Kit Includes:

Contega load cell, junction box, load cell extension cable

Dimensions

Rated Capacity	A	B	C	D	E	F	G	H
in/mm								
Lateral cable	8.3 in (210 mm)	3.7 in (94 mm)	1.9 in (47 mm)	3.7 in (94 mm)	0.5 in (12 mm)	1.9 in (47 mm)	1.1 in (29 mm)	2.4 in (60 mm)

The protective cover made of FDA-compliant silicone ensures a reliable encapsulation of the module and prevents the intrusion of dirt and microorganisms. The connecting geometry between protective cover and mounting plates guarantees a safe fitting and, together with the already excellent resistance to aging of the silicone, ensures reliable protection over years.

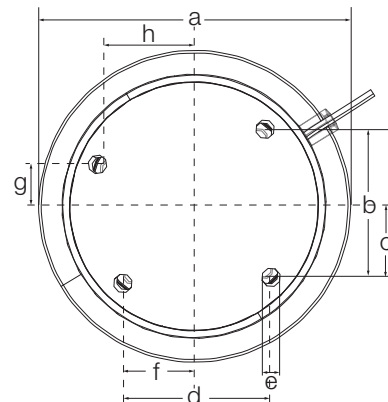
The Contego® weighing module therefore represents an absolutely hygienic unity of load cell and installation kit. As a result, you can refrain from using other expensive and complicated constructions to protect the weighing technology against dirt.

Besides the hygienic aspect, the Contego weighing module provides all the other important mechatronic functions for a fast operational startup and reliable results. The integrated constraint holds the process vessel in the proper position and, at the same time, allows movement through thermal expansion of the vessel. The integrated lift-off protector is a reliable safety feature to protect the vessel from tilting. At the same time, this feature can be used as a lifting system as well. This way, the vessel leg can be raised a few millimeters without using supplemental tools.

A PR6241 S-type load cell is used with this module. This series is distinguished by its unmatched reliability, robustness and stability, enabling years of undisturbed usage without any readjustment, in addition to the high measuring accuracy and reproducibility.

Standard Features

- Compact and absolute hygienic weighing solution for a load range up to 2 t
- Quick and seamless installation
- Easy cleaning without residue
- High chemical resistance
- Protective cover made of FDA-compliant silicone
- Integrated S-like lift-off protector and jack-up function with constrainer for horizontal forces
- Proven rocker pin principle for accurate repeatability
- 10,000 divisions
- Load cell, 2 mV/V
- 15-year load cell warranty
- 30 kN destructive lateral force and 8 kN permissible lift-off protection



PRECISION
INDUSTRIAL WEIGHING

PR5220 TCP/IP Ethernet Transmitter



The PR5220 Ethernet transmitter sets new standards in process instrumentation. The standard Ethernet TCP/IP interface enables easy transmission of information to superordinate systems.

Load Cell Certifications



Standard Features

- Configuring via VNC
- OPC server
- Full digital signal processing with up to 4.8 Mio divisions internal resolution
- SmartCalibration feature for fast calibration even without weights
- Requires supply voltage of 24 VDC
- IP20 housing, DIN rail mount
- Verifiable with remote display up to 10,000 e, CL III (EN 45501, OIML R76)
- Precision analog output
- Serial RS-485/422 interface
- CD supplied with software suite
- 10,000 divisions at six samples per second

Specifications

- Power Consumption:**
6 W/8 W (Versions /01, /04, /06, /07)
- Supply Voltage:**
24 VDC, ±20 %
- Analogue Output:**
0 to 10 or 4 or 20 mA, internal resolution 16-bit, usable step-width: 0.5 µA max. load 500 Ω; user configurable
- Serial Interfaces:**
RS-422/485 via screw terminals
Protocol: Remote display, SMA and Minebea digital scales (XBPI-protocol)
- Electrical Connections:**
All electrical connections via modular screw terminals for 2.5 mm
2 max. System Phoenix/COMBICO
- Input Range:**
7.5 mV (appr. 4.8 Mio. div.)

Part Number/Price

Part #	Type	Minebea Part #	Description	Price
158856	PR5220/00	940515220003	PR5220 Ethernet TCP/IP Transmitter, 4 to 20 mA	\$2,299.00
158857	PR5220/01	940515220013	PR5220 Ethernet TCP/IP Transmitter, 4 to 20 mA with PROFIBUS DP	\$2,777.50
158858	PR5220/04	940515220043	PR5220 Ethernet TCP/IP Transmitter, 4 to 20 mA with DeviceNet	\$2,777.50
158859	PR5220/06	940515220063	PR5220 Ethernet TCP/IP Transmitter, 4 to 20 mA with PROFINET	\$2,777.50
158891	PR5220/07	940515220073	PR5220 Ethernet TCP/IP Transmitter, 4 to 20 mA with EtherNet/IP	\$2,777.50

Specifications (cont.)

- Usable resolution:**
0.2 µV/d
- Input Signal:**
Measuring signal: 0 to 36 mV (for 100 % nominal load)
- Control Outputs:**
Quantity: 3 opto-isolated output, passive
Voltage: max. 30 VDC
Current: max. 30 mA
Functions: Limits, weight status
- Control Inputs:**
Quantity: 3, opto-isolated input, passive
Functions: zero setting, taring
Voltage: max. 30 VDC
Current: max. 10 mA
- Ethernet Interface (functions):**
Ethernet IP and Modbus/TCP
Definition of an IP address: – AutoIP; – DHCP Server classification; – manual entering of an IP address
Automatic detection of signal transmission and corresponding change over (cross-over or patch cable) Webservice via SOAP/UPnP (Simple Object Access Protocol) Synchronal Modbus UDP
- In/Output:**
All I/O circuits fully galvanically isolated from sensor input and supply
- Load Cell Connection:**
All strain gauge load cells; four- or six-wire connection
- Load Cell Supply:**
12 V, short-circuit proof. External load cell supply possible
- Digital Filter for Load Cell:**
4th order (low pass), Bessel, aperiodic or Butterworth
- Minimum Load Impedance:**
Min. 75 ohm e.g. 6 load cells with 600 ohm or 4 load cells with 350 ohm
- Measuring Principle:**
Measuring amplifier: Delta-Sigma converter
Measuring time: min 5 ms - max. 1600 ms
- Linearity:**
< 0.002 %
- Status Indicator:**
Status LEDs to signal operation and error conditions.
- Temperature Effects:**
Zero: TK0 m < 0.02 µV/K RTI
Span: TKspan < ± 2 ppm/K
- Dimensions:**
(L × W × H)
Version 00: 3.9 × 4.6 × 1.77 in (99 × 116 × 45 mm)
Versions 01, 04, 06, 07: 3.9 × 4.6 × 2.68 in (99 × 116 × 68 mm)
- Housing:**
Housing IP20 according to DIN 40050
Mounting on DIN Rail 35 mm according to DIN 46277
Material: polyamide RoHS conform
- Temperature:**
WandM: 14 °F to 104 °F (–10 °C to 40 °C)
Operation: 14 °F to 122 °F (–10 °C to 50 °C)
Storage: –40 °F to 158 °F (–40 °C to 70 °C)
- Weight:**
Version 00:
Net: 0.29 kg
Versions 01, 04, 06, 07
Net: 0.35 kg
- Approvals:**
OIML R76 min. verification interval: 0.5 µV/e
10,000 e class III acc. to EN 45501

PR5230 Fieldbus Transmitter

The fieldbus transmitter PR5230 is a product for readout and transmit weight values to installed networks and control systems. LCD display is configurable and displays up to 10 items, and can be installed at the process. Through the different interface upgrade possibilities and the robust stainless steel housing, the PR5230 is an innovative and flexible process unit.



Load Cell Certifications



Standard Features

- Display for weight and status information
- OIML approval for 10,000e, and an internal resolution of 4 and 8 Mio. counts
- SmartCalibration feature for fast calibration even without weights
- Serial Interface RS-485/422 and RS-232
- Option cards: Analog output 0 to 10 or 4 to 20 mA, DeviceNet® and EtherNet/IP™
- Load cell connection board for up to four load cells

Specifications

Power Consumption:
11 W

Supply Voltage:
230 VAC, (+10/-15 %):
24 VDC, (±20 %)

In/Output:
All I/O circuits fully galvanically isolated from sensor input and supply 3 inputs/3 outputs (relays)

Control Outputs:
Quantity: 3
Relay output, passive
Functions: Limits, weight status
Voltage: max. 30 VDC
Current: max. 30 mA

Part Number/Price

Part #	Type	Minebea Part #	Description	Price
158861	PR5230/00	9405 152 30000	PR5230 transmitter in field housing	\$3,245.00

Options/Accessories

Part #	Type	Minebea Part #	Description	Price
158863	PR1721/57	9405 317 21571	EtherNet/IP interface module	\$1,496.00
158864	PR1721/44	9405 317 21441	DeviceNet interface module	\$1,309.00
160431	PR5230/06	9405 352 30061	0 to 10 or 4 to 20 mA interface module	\$242.00

Specifications (cont.)

Control Inputs:

Quantity: 3 opto-isolated input, passive
Functions: zero setting, taring
Voltage: max. 30 VDC
Current: max. 10 mA

Remote I/O:

The I/O can be set internally via a function and remote via fieldbus or PC

Load Cell Connection:

All strain gauge load cells; four- or six-wire connection

Load Cell Supply:

12 V, short-circuit proof. External load cell supply possible.

Minimum Load Impedance:

Min. 75 ohm (e.g. 6 load cells with 600 ohm or 4 load cells with 350 ohm)

Measuring Principle:

Measuring amplifier: Delta-Sigma converter
Measuring time: min 5 ms – max. 1600 ms

Accuracy:

7.5 nV (appr. 4.8 Mio. div.)

Usable Resolution:

0.2 µV/d

LC Input Signal:

Measuring signal: 0 bis 36 mV
(for 100 % nominal load)

Specifications (cont.)

WandM Approval (in preparation):

10,000 e class III acc. to EN 45501; according to. OIML R76, min. verification interval: 0.5 µV/e at 160 ms

Linearity:

< 0.003 %

Temperature Effects:

Zero: TK0 m < 0.05 µV/K
Relative Thermal Index
Span: TKspan < ±2.5 ppm/K

Digital Filter for Load Cell:

4th order (low pass), Bessel, aperiodic or Butterworth

Display and Status:

LCD, transfective, back-lit
Weight: 6-digits
Size: 128 × 64-pixel, graphic
Information can be configured
Status LEDs to signal operation and error conditions

Keys/Buttons:

Zero, Tare, Test

Ethernet Interface for Optional IP Card:

Ethernet TCP/IP and Modbus® TCP
Definition of an IP address: – AutoIP; – DHCP Server classification; – manual entering of an IP address
Automatic detection of signal transmission and corresponding change over (cross-over or patch cable)
Web service via SOAP/UPnP (Simple Object Access Protocol) Synchronal Modbus UDP

Serial Interfaces:

RS -422/485 and RS-232 Protocols: Remote Display, SMA, Modbus RTU, printer and Minebea digital scales (XBPI – protocol)

Options Analogue Output PR 5230/06 (C11):

0 to 10 VDC or 4 to 20 mA, internal resolution 16 -bit, usable step width: 0.5 µA max. load 500 Ω, user configurable

Fieldbus PR 1721/4x (C2x):

PROFIBUS® DP, Interbus-S, DeviceNet®, CC-Link, PROFINET and EtherNet/IP™

Load Cell Connection Board

PR 5230/22 (C31):

For the internal connection of up to 4 load cells (instead using a cable junction box)

Rating/Material:

Stainless steel electro-polished
IP66, RoHS compliant

Dimensions:

(L × W × H)
13.78 × 9.84 × 5.91 in
(350 × 250 × 150 mm)

Weight:

Net: 1.45 kg (3.2 lb)

Temperature:

WandM: 14 °F to 104 °F (–10 °C to 40 °C)
Operation: 14 °F to 122 °F (–10 °C to 50 °C)
Storage: –4 °F to 158 °F (–20 °C to 70 °C)

ATEX Approvals PR 5230:

II 3G Ex nA nC IIC T4
II 3D Ex tD A22 IP6X T80° C
SAG 09ATEX004X
II (2)G [Ex ib IIC
II (2)D [Ex ibD
KEMA 10 ATEX 0065 X

DIGI® DSX-1000

High-precision Checkweigher

PRECISION INDUSTRIAL WEIGHING



Standard Features

- Full-color touchscreen display
- Six-digit display
- Splash-proof housing
- RS-232C interface

Specifications

Power AC:

100 to 240 V

Power Consumption:

22 W

Temperature:

Operating:
14 °F to 104 °F (-10 °C to 40 °C)

Humidity:

15% to 85% relative humidity

Resolution:

Internal: 300,000 counts

Warranty:

Two-year limited

Approvals:

UL

Approvals



Part Number/Price

Part #	Description	Price
178183	600 × 0.05 g	\$685.00
178185	6 kg × 0.5 g	\$685.00
178187	15 kg × 2 g	\$685.00

