

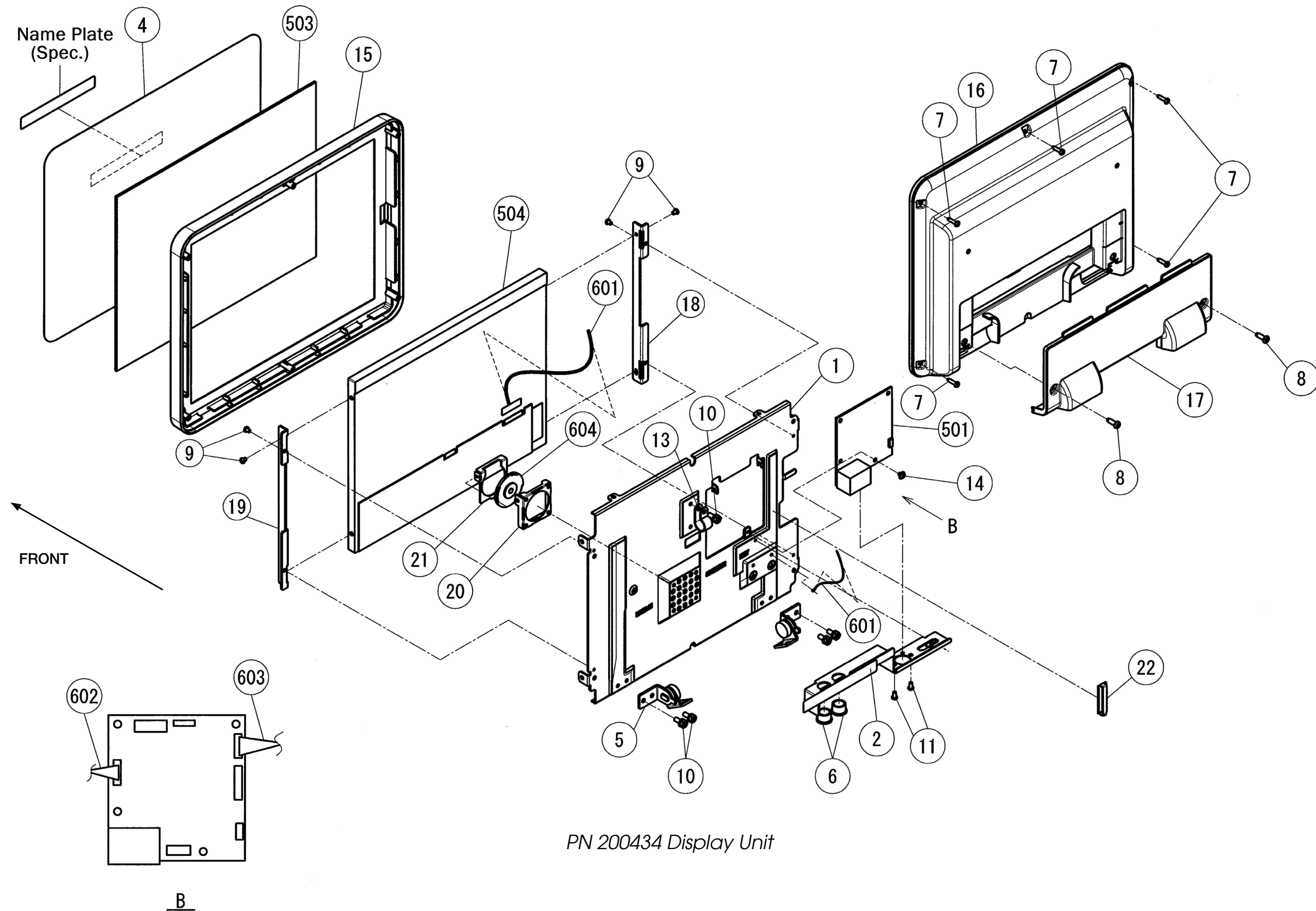
Display Unit

Part Number/Price

REF #	PART #	DESCRIPTION	QTY	SYNONYM	PRICE
1	Consult	Frame, controller	1	100-000-2465-00	Consult
2	Consult	Bracket, connector, A	1	000-110-7915-33	Consult
4	171880	Sheet, display	1	000-135-5531-43	Consult
5	Consult	Hinge, torque	2	000-112-9612-00	Consult
6	Consult	Accessory, bush, open lock	2	000-013-8915-08	Consult
7	189335	Tapping screw, M3x12, cross pan head, p tite	6	000-072-8766-07	Consult
8	189336	Tapping screw, M4x12, cross pan head, type 2	2	000-072-8768-04	Consult
9	199959	Screw, M3.5x4, cross pan button head, zinc	8	000-002-1849-03	Consult
10	189337	Cross hexagon bolt, M4x10, flange, zinc	5	000-000-0338-09	Consult
11	48233	Screw, cross pan head M3x6 pan head SST	2	000-000-0069-07	Consult
13	189311	Accessory, clamp, nylon clamp	1	000-003-6921-04	Consult
14	116073	Screw, M3x4 button flange head zinc	4	000-047-3842-08	Consult
15	171881	Case, controller, front	1	000-135-4691-06	Consult
16	Consult	Case assy, controller, rear	1	000-135-4692-00	Consult
17	Consult	Cover, connector	1	000-135-4693-03	Consult
18	189312	Bracket, LCD, left	1	100-000-2468-00	Consult
19	189314	Bracket, LCD, right	1	100-000-2467-00	Consult
20	Consult	Case, speaker	1	100-002-7398-01	Consult
21	Consult	Cover, speaker	1	100-002-7397-01	Consult
22	186529	Accessory, clamp, flat cable	1	000-150-3050-07	Consult
501	171882	PWB, P-1102A-4, display controller	1	100-003-3188-02	Consult
503	171883	Touch panel, analog	1	000-135-4851-14	Consult
504	206536	Display, LCD, TFT	1	000-135-4850-12	Consult
601	187338	Harness, C5, LCD	1	100-001-2012-00	Consult
602	187339	Harness, C5, communication	1	100-001-2009-01	Consult
603	187340	Harness, C2, ten key junction	1	100-001-4007-00	Consult
604	172673	Speaker assy	1	000-140-7074-11	Consult
999	Consult	Bracket assy, display	1	100-001-0162-00	Consult
999	Consult	Gasket, conductive	1	100-001-4006-00	Consult
ASSY	200434	Display unit, complete		100-003-3403-00	Consult

Ishida IP-Ai-P

Display Unit



PN 200434 Display Unit