

# Belt Scales

---

## TABLE OF CONTENTS

<b>Belt Scales</b> .....	<b>141</b>
<b>Master™ 311 Belt Scale Weigh Frame</b> .....	<b>143</b>
<i>Medium to Heavy Capacity Weigh Frame</i>	
<b>Master™ 221DB Belt Scale Weigh Frame</b> .....	<b>144</b>
<i>Medium to Heavy Capacity Belt Scale</i>	
<b>Master™ 211 Belt Scale Weigh Frame</b> .....	<b>145</b>
<i>Medium to Heavy Capacity Weigh Frame</i>	
<b>Master™ 14X Belt Scale Weigh Frame</b> .....	<b>146</b>
<i>Medium to Heavy Capacity Weigh Frame</i>	
<b>Master™ 421 Belt Scale Weigh Frame</b> .....	<b>147</b>
<i>Light Capacity Weigh Frame</i>	
<b>BCi Belt Scale Weigh Frame</b> .....	<b>148</b>
<i>In-motion Belt Scale System</i>	
<b>882D Integrator</b> .....	<b>150</b>
<i>Belt/Bulk Material Instrumentation</i>	
<b>1280 with SCT-4XD Integrator</b> .....	<b>152</b>
<i>Belt/Bulk Material Instrumentation</i>	
<b>SCT-4XD Integrator</b> .....	<b>154</b>
<i>Belt/Bulk Material Instrumentation</i>	
<b>Speed Sensor</b> .....	<b>156</b>
<b>Belt Scale Questionnaire</b> .....	<b>157</b>

Product names, logos, brands and other trademarks featured or referred to within this publication are the property of their respective trademark holders.



# Master™ 311 Belt Scale Weigh Frame

Medium to Heavy Capacity Weigh Frame



## Standard Features

- Semi-modular weigh frame design
- Weigh frame without moving parts
- Fits standard conveyors
- Mounts with four bolts
- Requires weigh frame cutting for proper fit
- Minimal modifications to conveyor required

## Options

- Galvanized or stainless construction
- Custom widths available
- Custom lifting weights available on request

## Applications

- Mining, quarries, bulk material blending, process control and retrofit

## Specifications

**Belt Width:**

18 to 36 in (457 to 914 mm)

**Capacity:**

1,500 tons per hour

**Belt Speed:**

Maximum 400 ft/minute (2 m/s)

**Inclination:**

Maximum 12 degrees

**Material:**

Powder coated mild steel

**Accuracy System:**

1%

**Load Cell:**

RL1218A: 50 kg, 100 kg, 250 kg

**Warranty:**

One-year limited

## Part Number/Price

Part #	Description	Est. Weight	Price
215021	Master 311 belt scale weigh frame, 18 in belt with 75 kg load cell	125 lb	\$1,300.00
215022	Master 311 belt scale weigh frame, 24 in belt with 75 kg load cell	125 lb	\$1,300.00
215023	Master 311 belt scale weigh frame, 24 in belt with 150 kg load cell	125 lb	\$1,300.00
215025	Master 311 belt scale weigh frame, 30 in belt with 150 kg load cell	125 lb	\$1,400.00
215030	Master 311 belt scale weigh frame, 30 in belt with 250 kg load cell	125 lb	\$1,400.00
215031	Master 311 belt scale weigh frame, 36 in belt with 250 kg load cell	125 lb	\$1,500.00
Consult	Lifting weight kit		Consult

Please complete the Belt Scale Questionnaire on page 157 to obtain a quote

# Master™ 221DB Belt Scale Weigh Frame

Medium to Heavy Capacity Belt Scale



## Part Number/Price

Part #	Description	Est. Weight	Price
163292	221DB belt scale with 50 kg load cells	143 lb	\$2,995.00
163293	221DB belt scale with 100 kg load cells	143 lb	\$2,995.00
163294	221DB belt scale with 200 kg load cells	143 lb	\$2,995.00
202591	221DB stainless steel belt scale with 50 kg load cells	143 lb	\$4,595.00
202592	221DB stainless steel belt scale with 100 kg load cells	143 lb	\$4,595.00
202593	221DB stainless steel belt scale with 200 kg load cells	143 lb	\$4,595.00

Please complete the Belt Scale Questionnaire on page 157 to obtain a quote

## Standard Features

- Weigh frame is mounted on the outside of conveyor
- Minimal modifications to conveyor are required
- Service friendly
- Friction-free pivot supports
- Two support beams
- Fits standard conveyors
- Mounts with four bolts

## Options

- Galvanized or stainless construction

## Applications

- Medium to heavy capacity

## Specifications

### Conveyor Width:

18 to 72 in  
(457 to 1,829 mm)

### Capacity:

3,300 tons per hour

### Maximum Belt Speed:

600 ft/minute (3 m/s)

### Inclination:

Maximum 25 degrees

### Material:

Powder coated mild steel

### Accuracy System:

0.5% to 1%

### Load Cell:

RL9018SS: 50 kg, 100 kg, 200 kg

### Junction Box:

JB4SS

### Warranty:

One-year limited

# Master™ 211 Belt Scale Weigh Frame

Medium to Heavy Capacity Weigh Frame



## Standard Features

- Friction-free pivot points
- One load cell carrier beam
- Fits standard conveyors
- Custom built for each application

## Options

- 304/316 Stainless steel
- Dual load cells
- Dual idler
- Custom lifting weights available on request

## Applications

- Medium to heavy capacity, mining and agriculture

## Specifications

**Conveyor Width:**  
20 to 80 in (500 to 2,000 mm)

**Capacity:**  
3,000 tons per hour

**Maximum Belt Speed:**  
600 ft/minute (3 m/s)

**Maximum Inclination:**  
25 degrees

**Material:**  
Powder coated mild steel

**Accuracy System:**  
0.5 %

**Load Cell:**  
RL20001 alloy steel, S-beam  
(capacity selected from application)

**Warranty:**  
One-year limited

## Part Number/Price

Part #	Description	Price
Consult	211 weigh frame	Consult
Consult	Lifting weight kit	Consult

Please complete the Belt Scale Questionnaire on page 157 to obtain a quote

# Master™ 14X Belt Scale Weigh Frame

Medium to Heavy Capacity Weigh Frame



## Standard Features

- Custom built for each application
- Fits standard conveyors
- Multiple idler design
- Inner frame has free-floating platform

## Options

- 304 stainless steel
- Two, three or four weigh idlers
- Customer lifting weights available upon request

## Applications

- Medium to heavy capacity, mining and aggregate

## Specifications

### Conveyor Width:

20 to 120 in (500 to 3,000 mm)

### Capacity:

20,000 tons per hour

### Belt Speed:

1,400 ft/minute (7 m/s)

### Inclination:

25 degrees

### Material:

Powder coated mild steel

### Accuracy Guidelines:

0.25%

### Load Cell:

RL20001 alloy steel S-beam  
(capacity selected from application)

### Warranty:

One-year limited

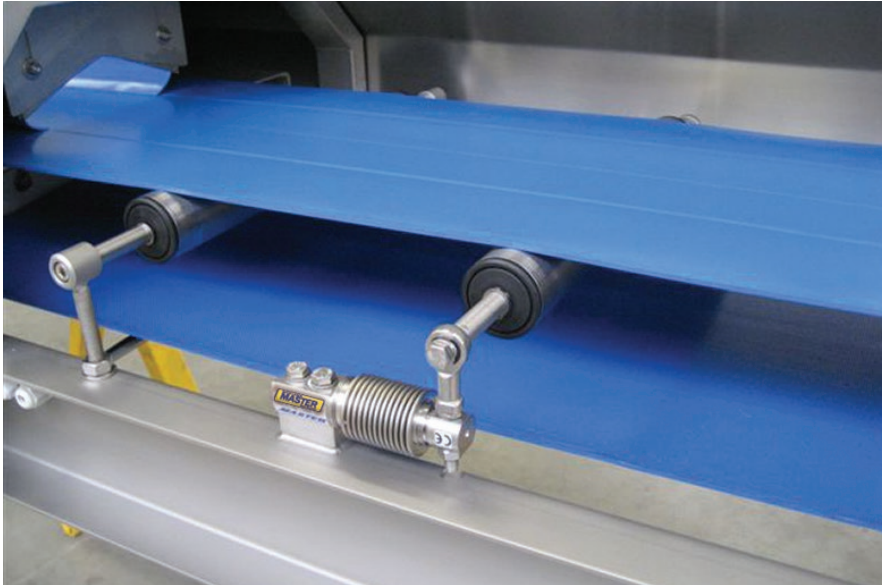
## Part Number/Price

Part #	Description	Price
Consult	Master 142	Consult
Consult	Master 143	Consult
Consult	Master 144	Consult
Consult	Lifting weight kit	Consult

Please complete the Belt Scale Questionnaire on page 157 to obtain a quote

# Master™ 421 Belt Scale Weigh Frame

Light Capacity Weigh Frame



## Standard Features

- Ideal for flat belt conveyors
- Roller supported on both sides by load cells
- Open design for easy cleaning

## Applications

- Light capacity, food production and light granular materials

## Specifications

### Conveyor Width:

12 to 60 in (300 to 1,600 mm)

### Capacity:

30 tons per hour

### Belt Speed:

400 ft/minute (2 m/s)

### Inclination:

10 degrees

### Material:

Powder coated mild steel, 304/316 stainless steel

### Accuracy Systems:

1.0%

### Load Cell:

RL9018SS single-ended beam in 10 kg, 20 kg or 50 kg capacities

### Warranty:

One-year limited

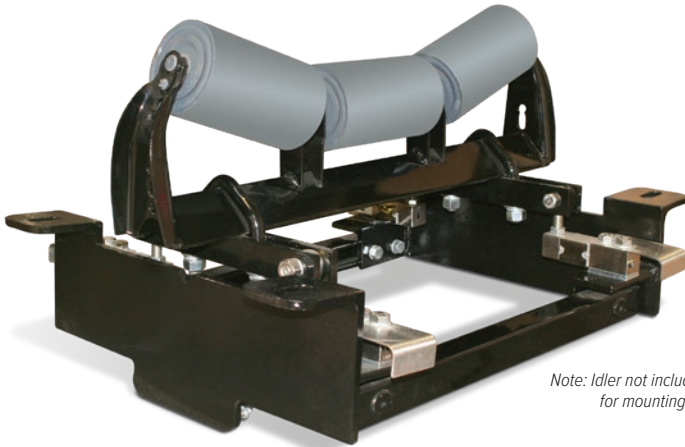
## Part Number/Price

Part #	Description	Price
Consult	421 weigh frame	Consult

Please complete the Belt Scale Questionnaire on page 157 to obtain a quote

# BCi Belt Scale Weigh Frame

In-motion Belt Scale System



Note: Idler not included. Customer is responsible for mounting idler to weigh frame.

## Standard Features

- Fits standard conveyors using CEMA-C idlers
- No moving parts
- Four shear laterally opposed shear beam load cells
- Fabricated with heavy gauge steel
- Minimal conveyor modifications required for installation

## Applications

- Mining, quarries, bulk material blending, process control, utilities, truck/barge/rail loading and retrofit

## Specifications

### Conveyor Widths:

18 to 72 in

### Capacity:

Up to 10,000 tons per hour

### Belt Speed:

Up to 600 feet per minute

### Accuracy Guidelines:

Guidelines assume clean belt with automatic tensioning system. Accuracy guidelines are typical. System accuracy may vary depending on environmental influences.

### System Accuracy:

Single to two idler system: 0.5% to 1% total error

## Part Number/Price

Part #	Description	Est. Belt Width	Capacity	Price
<b>Mild Steel Weigh Frames</b>				
94968	24 in weigh frame	18 in	500 lb	\$2,800.00
95208	30 in weigh frame	24 in	500 lb	\$2,800.00
95209	36 in weigh frame	30 in	500 lb	\$2,800.00
95210	42 in weigh frame	36 in	500 lb	\$2,800.00
95211	48 in weigh frame	42 in	500 lb	\$2,800.00
95212	54 in weigh frame	48 in	500 lb	\$2,800.00
96717	60 in weigh frame	54 in	1,000 lb	\$2,800.00
96718	66 in weigh frame	60 in	1,000 lb	\$2,800.00
96719	72 in weigh frame	66 in	1,000 lb	\$2,800.00
Consult	Light-capacity weigh frames			\$3,185.00
<b>Stainless Steel Weigh Frames</b>				
110839	24 in weigh frame	18 in	500 lb	\$5,300.00
105246	30 in weigh frame	24 in	500 lb	\$5,300.00
110841	36 in weigh frame	30 in	500 lb	\$5,300.00
110842	42 in weigh frame	36 in	500 lb	\$5,300.00
110843	48 in weigh frame	42 in	500 lb	\$5,300.00
110844	54 in weigh frame	48 in	500 lb	\$5,300.00
110845	60 in weigh frame	54 in	500 lb	\$5,300.00
110846	66 in weigh frame	60 in	500 lb	\$5,300.00
110847	72 in weigh frame	66 in	500 lb	\$5,300.00
Consult	Light-capacity weigh frames			\$4,595.00
<b>Weigh Frame Accessories</b>				
126282	V-bolt for 3 in angle iron base idlers set of 2			\$95.00
126283	V-bolt for 4 in angle iron base idlers set of 2			\$105.00

Please complete the Belt Scale Questionnaire on page 157 to obtain a quote

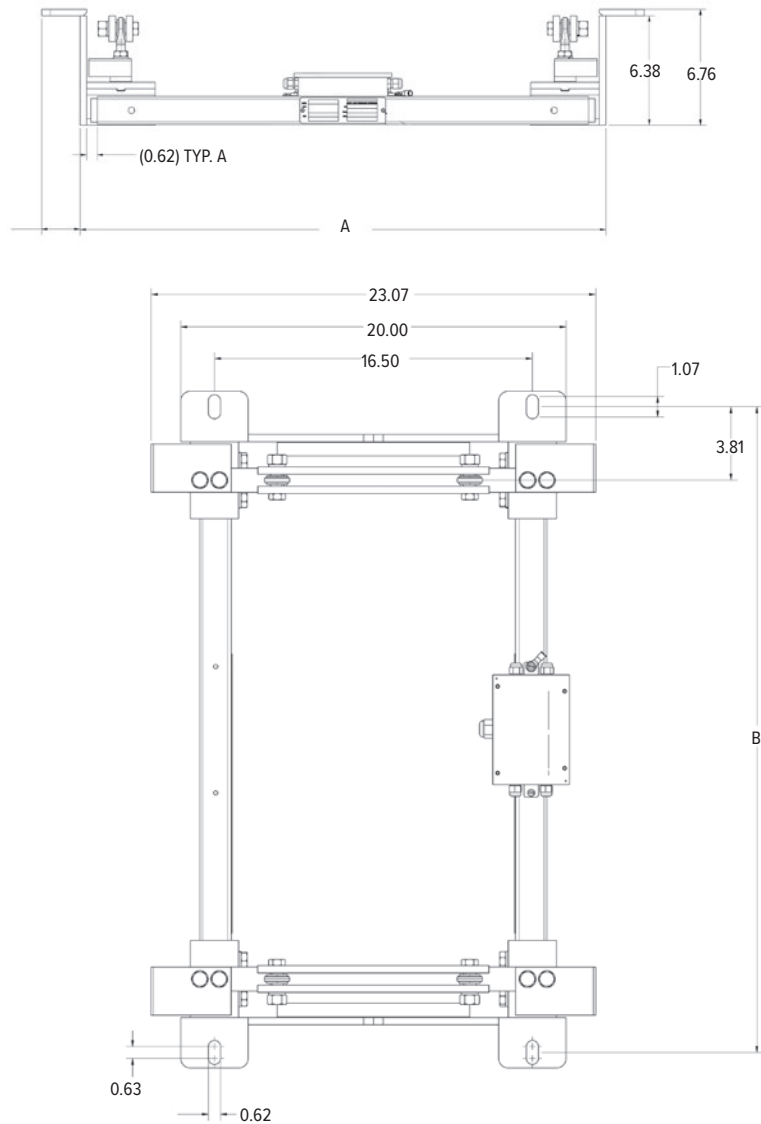
# BCi Belt Scale Weigh Frame

In-motion Belt Scale System

## Dimensions

Part Number	A	B
<b>Mild Steel</b>		
94968	24.00 in	27.50 in
95208	30.00 in	33.50 in
95209	36.00 in	39.50 in
95210	42.00 in	45.50 in
95211	48.00 in	51.50 in
95212	54.00 in	57.50 in
96717	60.00 in	63.50 in
96718	66.00 in	69.50 in
96719	72.00 in	75.50 in

Part Number	A	B
<b>Stainless Steel</b>		
110839	24.00 in	27.50 in
105246	30.00 in	33.50 in
110841	36.00 in	39.50 in
110842	42.00 in	45.50 in
110843	48.00 in	51.50 in
110844	54.00 in	57.50 in
110845	60.00 in	63.50 in
110846	66.00 in	69.50 in
110847	72.00 in	75.50 in



Note: Cables on drawings removed for clarity. Idler mounting hardware is not included in weigh frame; see idler mounting bolts above.

# 882D Integrator

Belt/Bulk Material Instrumentation



## Approvals



## Standard Features

- LCD display
- Hardware slot for two option cards
- Operator access to audit trail, preset tare, accumulator, time and date and setpoints through menu keys
- Password-protected audit trail tracking for configuration and calibration changes
- Setpoints for control and alarms
- Four onboard digital I/O channels
- Filter settings for noise
- Speed inputs

## Part Number/Price

Part #	Description	Price
<b>Integrators</b>		
177708	120 VAC	\$2,115.00
180847	220 VAC Euro power cord	\$2,115.00
184683	9 to 36 VDC	\$2,275.00

## Options/Accessories

Part #	Description	Price
190527	Digital I/O	\$365.00
190528	Single analog	\$425.00
190529	Relay interface, not for totalizer pulse count output	\$470.00
177850	Panel mount option 880	\$255.00
197724	Overlay, clear protective	\$85.00
<b>Network Cards</b>		
190530	EtherNet/IP™	\$620.00
190531	DeviceNet®	\$620.00
190532	PROFINET	\$620.00
190534	PROFIBUS®	\$620.00
190533	Modbus TCP/IP	\$620.00
190535	EtherCAT	\$620.00

Please complete the Belt Scale Questionnaire on page 157 to obtain a quote

## Specifications

### Power

Input voltages: 100 to 240 VAC; 9 to 36 VDC  
Input frequency: 50/60 Hz

### Power Consumption:

AC: 15 watts; DC: 20 watts

### Excitation Voltage:

10 VDC 8 × 350 ohm (16 × 700 ohm) load cells

### Analog Signal Input Range:

-45 mV to 45 mV

### Analog Signal Sensitivity:

0.3 μV/graduation minimum at 7.5 Hz;  
1.0 μV/graduation typical at 120 Hz

### Sample Rate:

7.5 to 120 Hz, software selectable

### Resolution:

Internal: 8,000,000 counts 23-bit  
Display: 100,000

### System Linearity:

± 0.01% full scale

### Digital I/O:

Four I/O onboard primary keys, pseudo functions, batching functions

### Communication Ports:

RS-232 full duplex or RS-485 half duplex; USB 2.0  
Micro B connector; Ethernet TCP/IP

### Pulse Input:

Dual inputs for redundancy  
12 VDC

### Display:

LCD display, 0.8 in, seven-digit, seven-segment  
weight display, 3 × 20 pixelated prompt area

### Annunciators:

Load, total, rate, speed, zero

### Keys/Buttons:

Flat membrane panel, tactile feel

### Temperature:

Industrial: 14 °F to 122 °F (-10 °C to 50 °C)

### Dimensions:

(L x W x H)  
9.93 × 4.00 × 8.94 in

### Weight:

12 lb (5.4 kg)

### Rating/Material:

IP66  
Stainless steel

### Warranty:

Two-year limited

### EMC Immunity:

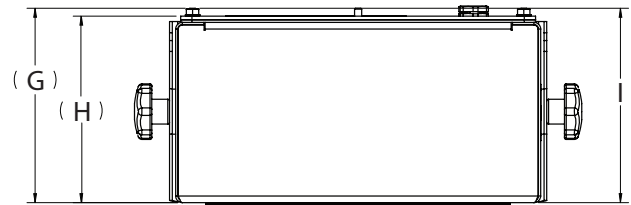
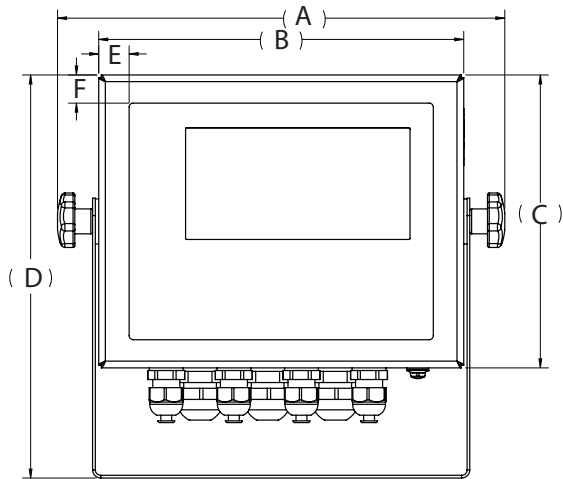
18 KV, 10 V/m

### Approvals:

cULus Listed  
CE Approved  
UKCA

## Dimensions

882D Belt Scale Integrator			
A	9.93 in (252 mm)	F	0.63 in (16 mm)
B	8.10 in (206 mm)	G	4.31 in (110 mm)
C	6.50 in (165 mm)	H	4.14 in (105 mm)
D	8.94 in (227 mm)	I	4.32 in (110 mm)
E	0.68 in (17 mm)		



# 1280 with SCT-4XD Integrator

Belt/Bulk Material Instrumentation



## Specifications

- Power:**  
100 to 240 VAC; 50/60 Hz  
11 to 30 VDC
- Power Consumption:**  
60 W
- Excitation Voltage:**  
10 VDC ( $\pm 5$  VDC)  
16  $\times$  350 ohm or 32  $\times$  700 ohm load cells per A/D card
- Analog Signal Input Range:**  
-60 mV to 60 mV
- Analog Signal Sensitivity:**  
0.3  $\mu$ V/graduation minimum at 7.5 Hz to 120 Hz  
1.0  $\mu$ V/graduation recommended
- A/D Sample Rate:**  
7.5 to 960 Hz, software selectable
- Resolution:**  
Internal: 8,000,000 counts  
Display: 1,000,000
- System Linearity**  
 $\pm$  0.01% full scale
- Digital I/O:**  
Eight I/O channels on CPU board  
Optional 24-channel I/O expansion boards
- Communication Ports:**  
Port 1 and 2: Full duplex RS-232 with CTS/RTS, RS-422/485  
Baud rate: 1200 to 115200  
Port 3: USB 2.0 Device (Micro)  
USB host: (2) Type A connectors max 500 mA  
Ethernet: Wired 10/100 Auto-MDX  
Ethernet: Wireless 802.11 b/g/n 2.4GHz
- Onboard:**  
Selectable filters: Three stage, Adaptive or Damping  
Embedded Linux<sup>®</sup> OS  
8 GB eMMC (system use)  
1 GB DDR3 RAM  
460 MB onboard database (SQLite) storage  
Up to 32 GB micro -SD card (sold separately)
- Display:**  
Seven-inch, 800  $\times$  480 pixel, 500 or 1,000 NIT
- Keys/Buttons:**  
22-key membrane panel, tactile buttons, on-screen keyboard for text and numeric entry, USB port for flash drive, keyboard and printer
- Temperature:**  
Certified: 14  $^{\circ}$ F to 104  $^{\circ}$ F (-10  $^{\circ}$ C to 40  $^{\circ}$ C)  
Operating: -4  $^{\circ}$ F to 131  $^{\circ}$ F (-20  $^{\circ}$ C to 55  $^{\circ}$ C)
- Rating/Material:**  
Universal: IP69K
- EMC Immunity:**  
10 V/m
- Weight:**  
Universal enclosure: 11 lb (4.9 kg)
- Warranty:**  
Two-year limited

## Standard Features

- 1280 terminal with web server and system configuration menus
- Manage up to four load cells (one scale)
- Dual encoders and outputs for automatic test weight application
- Micro-USB communication port for configuration, diagnostics and data backup (RL Tools Software)
- All data and adjustments of each scale are available through integrated fieldbus (not available on AN models)
- Removable terminal blocks to simplify wiring in the electrical panel
- Power supply circuit with protections, specific for industrial environment

## Options

- Fieldbus: EtherNet/IP<sup>™</sup>, PROFINET IO, Modbus TCP/IP
- Analog output

## Part Number/Price

Part #	Description	Price
228768	Indicator, 1280 belt with SCT-4XDAN digitizer	\$5,595.00
229090	Indicator, 1280 belt with wall mount enclosure, AC power supply US	\$5,645.00
228928	Indicator, 1280 belt with wall mount enclosure, AC power supply EU	\$5,645.00

## Options/Accessories

Part #	Description	Price
228869	1280 terminal, 7-inch touch screen and tactile keypad, universal enclosure with tilt stand	\$3,300.00
Consult	1280 terminal, 7-inch touch screen (only) for panel/surface mount	Consult
88792	Power supply, IDEC 12 VDC DIN rail mount, 1.3 Amp, input: 85 to 264 VAC, 100 to 370 VDC 15W	\$140.00
119244	Power supply, 24VDC 1.3 A DIN mount input 90 to 264 VAC, 120 to 370 VDC, UL E135494	\$160.00



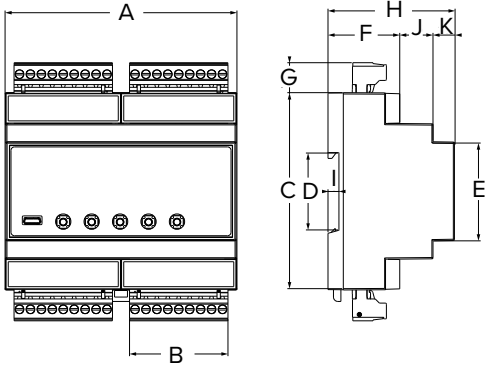
Optional enclosure

# 1280 with SCT-4XD Integrator

Belt/Bulk Material Instrumentation

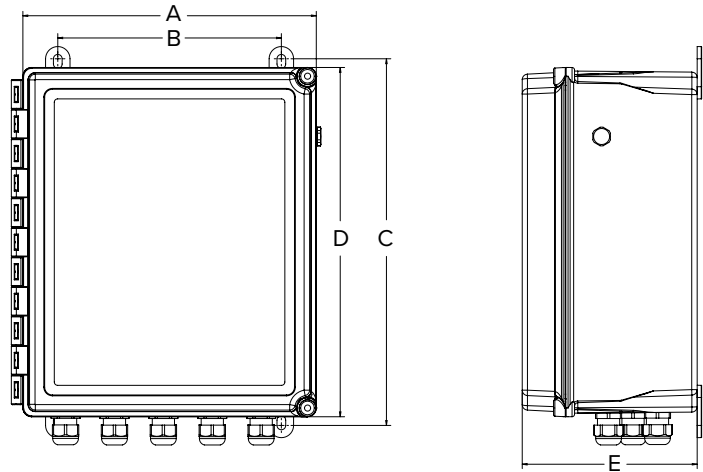
## Dimensions

SCT-4XD			
A	4.17 in (106 mm)	G	0.54 in (13.7 mm)
B	1.77 in (45 mm)	H	2.28 in (58 mm)
C	3.54 in (90 mm)	I	0.20 in (5 mm)
D	1.38 in (35 mm)	J	0.59 in (15 mm)
E	1.77 in (45 mm)	K	0.39 in (10 mm)
F	1.30 in (33 mm)		



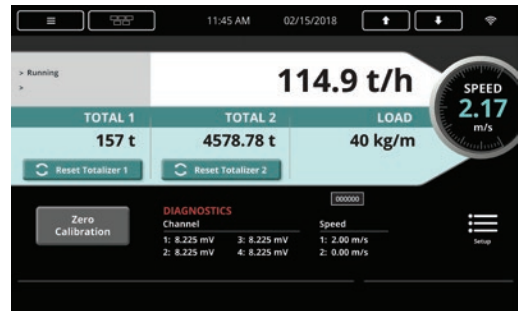
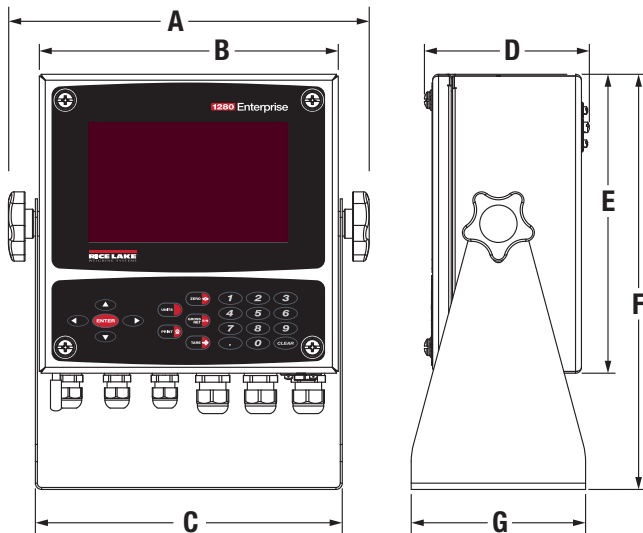
## Dimensions

SCT-4XD Enclosure			
A	10.50 in (267 mm)	C	13.12 in (333 mm)
B	8.00 in (203 mm)	D	12.50 in (318 mm)
E	6.26 in (159 mm)		



## Dimensions

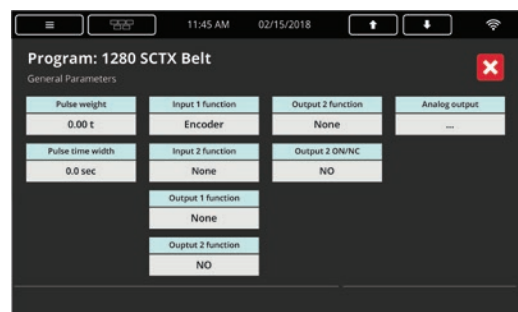
Universal 1280			
A	10.86 in (276 mm)	E	9.00 in (229 mm)
B	9.00 in (229 mm)	F	12.50 in (318 mm)
C	9.24 in (235 mm)	G	5.25 in (133 mm)
D	4.97 in (126 mm)		



Run Screen



Setup Screen

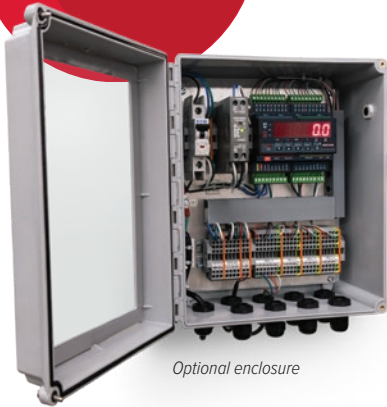


Setup Screen No Grouping

BELT SCALES

# SCT-4XD Integrator

Belt/Bulk Material Instrumentation



Optional enclosure



## Standard Features

- Manage up to four load cells (one scale)
- Dual encoders and outputs for automatic test weight application
- Micro-USB communication port for configuration, diagnostics and data backup (RL Tools Software)
- All data and adjustments of each scale are available through integrated fieldbus (not available on AN models)
- Removable terminal blocks to simplify wiring in the electrical panel
- Power supply circuit with protections, specific for industrial environment

## Options

- 1280 terminal with web server and system configuration menus
- Fieldbus: EtherNet/IP™, PROFINET IO, Modbus TCP/IP
- Analog output

## Part Number/Price

Part #	Description	Price
<b>Integrator Only</b>		
225171	Digitizer only, 4 channel weight transmitter with Belt Scale Integrator firmware - no power supply or enclosure	\$1,300.00
225172	Modbus TCP/IP, 4 channel weight transmitter with Belt Scale Integrator firmware	\$1,580.00
225173	PROFINET, 4 channel weight transmitter with Belt Scale Integrator firmware	\$1,580.00
225174	EtherNet/IP, 4 channel weight transmitter with Belt Scale Integrator firmware	\$1,580.00
<b>Integrator with Enclosure</b>		
226132	Analog output, 24 VDC power supply, terminal blocks	\$2,295.00
226133	Modbus TCP/IP, 24 VDC power supply, terminal blocks	\$2,575.00
226134	PROFINET, 24 VDC power supply, terminal blocks	\$2,575.00
226135	EtherNet/IP, 24 VDC power supply, terminal blocks	\$2,575.00

## Options/Accessories

Part #	Description	Price
228869	1280 terminal, 7-inch touch screen and tactile keypad, universal enclosure with tilt stand	\$3,300.00
Consult	1280 terminal, 7-inch touch screen (only) for panel/surface mount	Consult
88792	Power supply, IDEC 12 VDC DIN rail mount, 1.3 Amp, input: 85 to 264 VAC, 100 to 370 VDC 15W	\$140.00
119244	Power supply, 24VDC 1.3 A DIN mount input 90 to 264 VAC, 120 to 370 VDC, UL E135494	\$160.00

## Specifications

- Power:**  
12 to 24 VDC
- Power Consumption:**  
5 W
- Excitation Voltage:**  
5 VDC, 120 mA (up to 16 × 350 ohm cells)
- Analog Signal Input Range:**  
±39 mV
- Analog Signal Sensitivity:**  
0.3 μV/graduation minimum
- Sample Rate:**  
Single-channel up to 2,600 Hz, software selectable  
4 channels up to 100 Hz, software selectable
- Analog Output (if equipped):**  
Opt. isolated, 16-bit  
0 to 20 mA, 4 to 20 mA (maximum 350 ohm)  
0 to 5 VDC, 0 to 10 VDC (minimum 10,000 ohm)
- Digital I/O:**  
Two inputs: 12/24 VDC  
Two outputs: 150 mA 48 VAC/150 mA 60 VDC
- Communication Ports:**  
(1) RS-485 half duplex, (1) RS-232 full duplex  
1 USB Micro B connector (device)  
for PC configuration
- Pulse Input:**  
Dual inputs for redundancy
- Display:**  
Six-digit 0.31 in (8 mm), red LED
- Keys/Buttons:**  
Flat membrane panel, tactile feel
- Dimensions:**  
(L × W × H)  
Overall: 10.5 × 6.26 × 12.5 in  
(266 × 159 × 318 mm)
- Mounting Tabs:**  
8.0 × 13.12 in  
(203 × 333 mm)
- Weight:**  
27 lb
- Rating/Material:**  
NEMA 4X (if using supplied enclosure)
- Warranty:**  
One-year limited
- Approvals:**  
CE-M EN 45501



Optional HMI terminal with web server

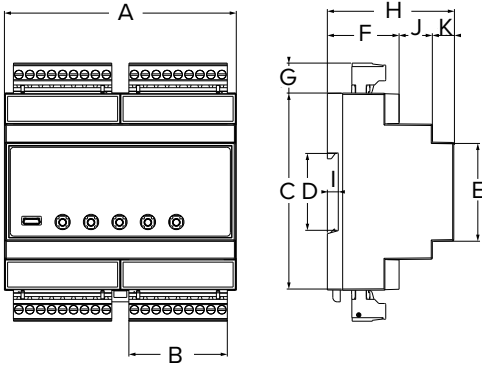
BELT SCALES

# SCT-4XD Integrator

Belt/Bulk Material Instrumentation

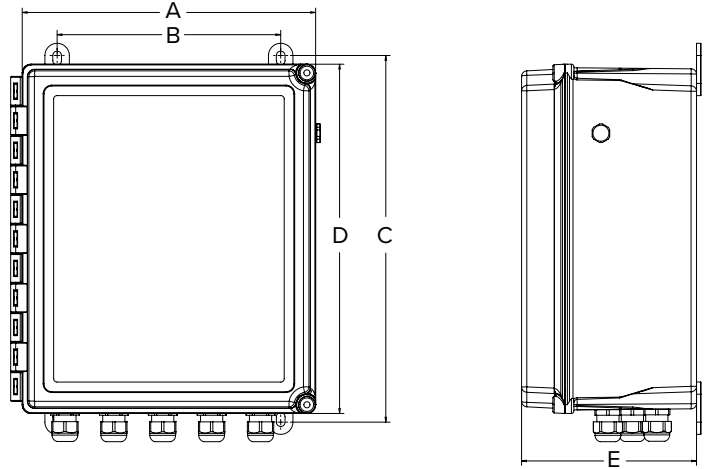
## Dimensions

SCT-4XD			
A	4.17 in (106 mm)	G	0.54 in (13.7 mm)
B	1.77 in (45 mm)	H	2.28 in (58 mm)
C	3.54 in (90 mm)	I	0.20 in (5 mm)
D	1.38 in (35 mm)	J	0.59 in (15 mm)
E	1.77 in (45 mm)	K	0.39 in (10 mm)
F	1.30 in (33 mm)		



## Dimensions

SCT-4XD Enclosure			
A	10.50 in (267 mm)	C	13.12 in (333 mm)
B	8.00 in (203 mm)	D	12.50 in (318 mm)
E	6.26 in (159 mm)		



# Speed Sensor



High-resolution Speed Sensor



Magnetic Coupler



Speed Wheel



Speed Sensors 125334 and 163319

## Standard Features

- The speed sensor monitors belt speed. It is directly coupled to a rotating shaft which drives a signal generator. The speed sensor submits an output signal at a frequency directly proportional to the shaft speed. It is typically installed on a non-driven pulley of a belt conveyor for detecting belt speed.

## Part Number/Price

Part #	Description	Price
<b>Speed Sensing</b>		
152626	500 PPR high-resolution encoder kit, requires 152247 if magnetic coupling is required	\$1,600.00
152247	Magnetic coupler, use with 152626	\$500.00
125334	Speed sensor, belt scale 50 PPR (generator type)	\$1,260.00
163319	Speed sensor, belt scale 600 PPR (encoder type)	\$1,450.00
94969	Speed wheel assembly, 10 PPR NPN Configuration	\$1,000.00
<b>Static Weights</b>		
99708	15 lb weight	\$215.00
99709	30 lb weight	\$275.00
99696	3 in static weight mounting bracket (set of two)	\$535.00
99922	4 in static weight mounting bracket (set of two)	\$600.00
<b>Speed Sensor Replacement Parts</b>		
94979	Sensor proximity, for 94969	\$115.00
98320	Shoulder bolt, for 94969	\$15.00
95216	Bushing, speed wheel for 94969	\$12.75
192927	Coupler, replacement for 125334 and 163319	\$175.00
<b>Accessories</b>		
97416	Kit, shim 50 each 1/16 in, 1/8 in and 1/4 in thick	\$95.00
21161	Junction box, splice single cell	\$85.00
98501	Cable, load cell custom, 20 ft EL146HE	\$34.50

Idler hardware not included with weigh frames

# Belt Scale Questionnaire



Customer Number:

Company:  Name:

Date:  Phone:  Fax:  Email:

## Application Notes

- Inventory  Load out  
 Control  Blending

### Material

Material being measured:

Bulk Density:

- (kg/lb)  (lb/cu. ft)

Corrosive state of material (choose one):

- High  Moderate  Not Corrosive

Feed Rate t/hr:

 min. max.

Accuracy Required: +/-

 %

Constant Feed Rate:

- Yes  No

### Conveyor

Profile:

- Horizontal  Incline/decline  deg  Variable Incline  deg  Curved

Automatic Tensioning Apparatus:  Yes  No

Access Side (looking in direction of belt travel):  Left  Right  Both

Area Classification: Zone  Class  Division

Does the current conveyor have scale grade idlers:  Yes  No

Belt Speed (ft/m per minute):

 min. max.

Belt Condition:

What type of splice does the belt have:

Belt Length:

 m/ft

Belt Cleaning Device:

- Yes  No

Belt Width:

 mm/in

Tail Pulley Diameter:

 mm/in

Idler Diameter:

 m/ft

Trough Angle:

 deg

Idler Spacing:

 mm/in

Conveyor Length:

 ft/m

Supply sketch where possible.

- Sketch attached

## Integrator Requirements

Enclosure Type:  Field Mount/Universal  Panel Mount  Wall Mount

Power Available:  115V  230V  9-36VDC

Communication:  RS-232 (Standard)  DeviceNet™  PROFIBUS® DP  Ethernet/IP®  
 Analog Output  Ethernet TCP/IP  PROFINET®  Modbus® TCP

Remote Display Rate:  Yes  No

Remote Display Totalizer:  Yes  No

Speed Sensor:  Speed Wheel  Shaft Encoder  Magnet

# Belt Scale Questionnaire

## Application Notes

