

Transient Protection Kit Installation

Transient protection boards are recommended on each end of a power supply run when an external DC supply is used, and on any power supply cables to secondary units where the secondary enclosure runs are longer than 75 feet. To replace a transient protection board (PN 101369) in the *iQUBE*² use the following instructions.



Note For more information on the *iQube*², see the *Installation manual* (PN 106113).



Manuals can be viewed or downloaded from the Rice Lake Weighing Systems website at www.ricelake.com.

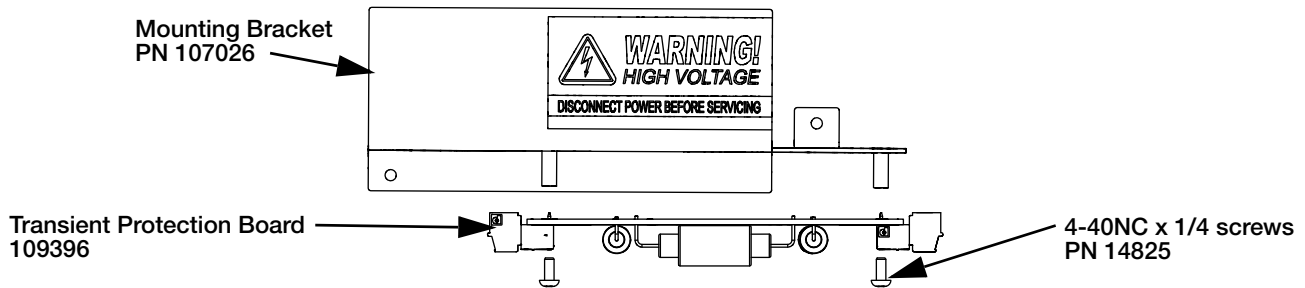


Figure 1. Transient Protection Kit

With AC/DC Power Installed

1. Disconnect the power to the *iQUBE*².
2. Loosen the top screws and remove the cover from the *iQUBE*².
3. Disconnect all cables attached to the power board.
4. Loosen screws to remove the power board assembly.

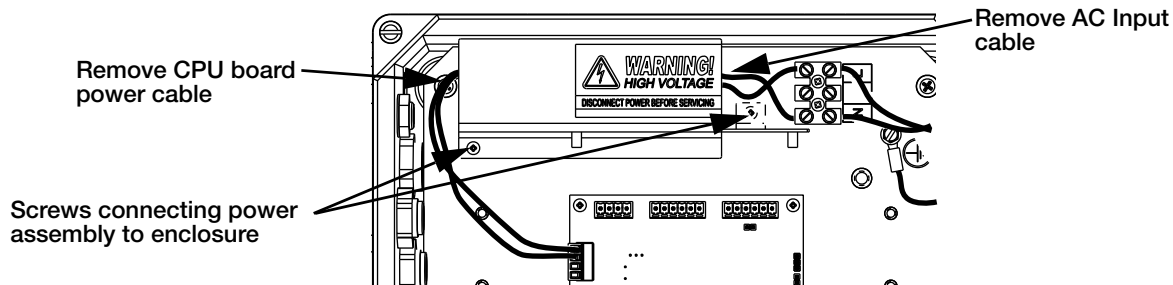


Figure 2. Remove Power Board Assembly



Note Transient Protection Kit comes assembled to a mounting bracket, for installation in unit with AC power the mounting bracket can be removed from the transient board and discarded. Transient protection board can be mounted to the bottom of existing power supply mounting bracket.

The transient protection board can be installed in either direction, the connectors are crossed over to prevent a connection error.

5. Align transient protection board assembly with the standoffs located on the bottom of the mounting bracket
6. Secure to bracket with four 4-40NC x 1/4 screws.

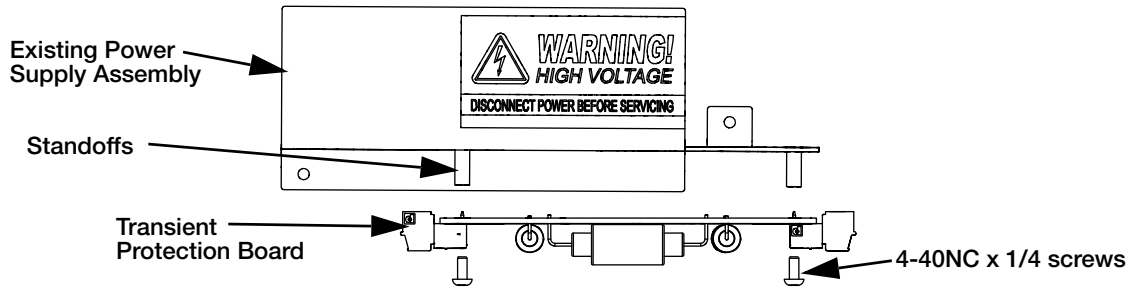


Figure 3. Install Transient Protection Board to Power Supply Mounting Bracket

7. Reinstall power bracket assembly in the *iQube*² enclosure.
8. Connect Power cable to the power supply.
9. Strip and install a new two wire cable between the power supply and the transient board.
10. Use the power supply cable to connect the transient board to the CPU board (J6).

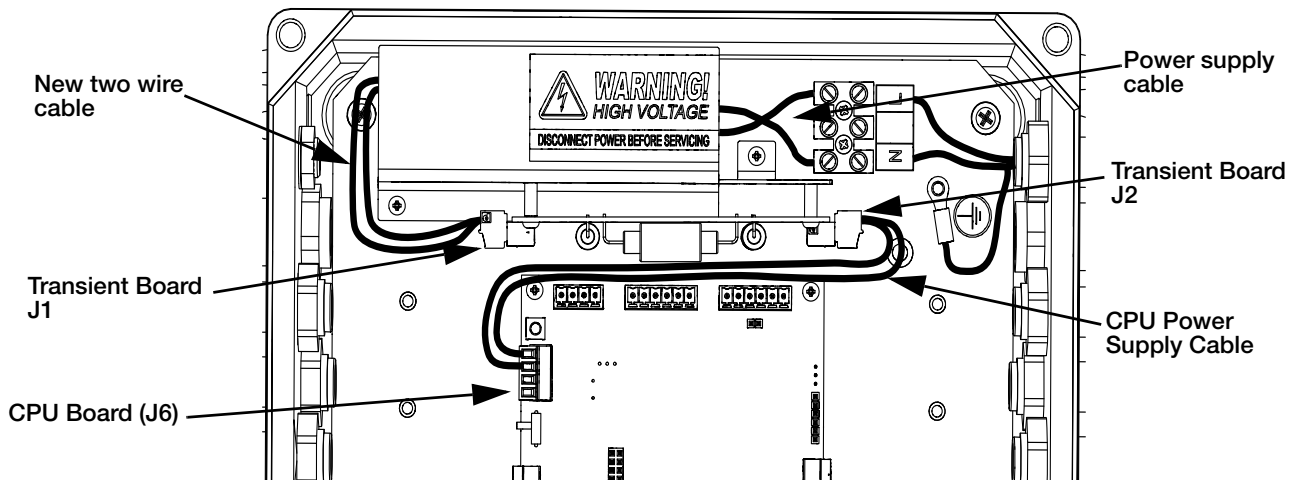


Figure 3-1. Connect Cables

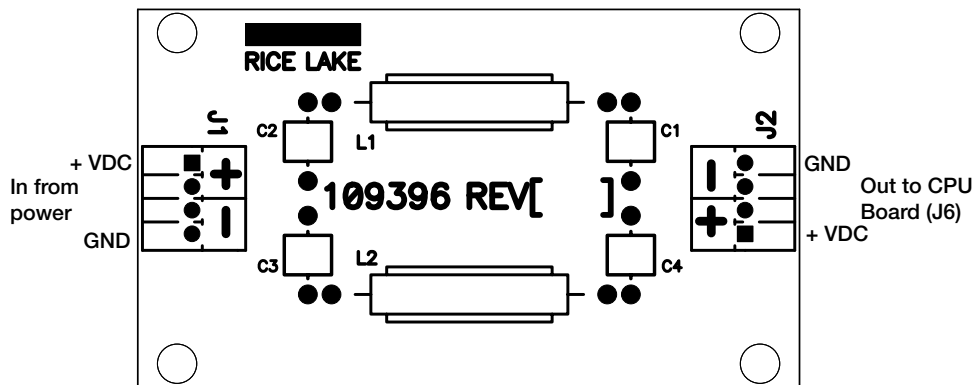


Figure 3-2. Transient Protection Board Wiring

11. Replace the enclosure cover.
12. Reconnect power the *iQube*².

Without AC/DC Power Installed

1. Disconnect the power to the *iQUBE*².
2. Loosen the top screws and remove the cover from the *iQUBE*².
3. Disconnect power cable from CPU board (J6).
4. Install the transient protection assembly into the enclosure.



Note The transient protection board can be installed in either direction, the connectors are crossed over to prevent a connection error.

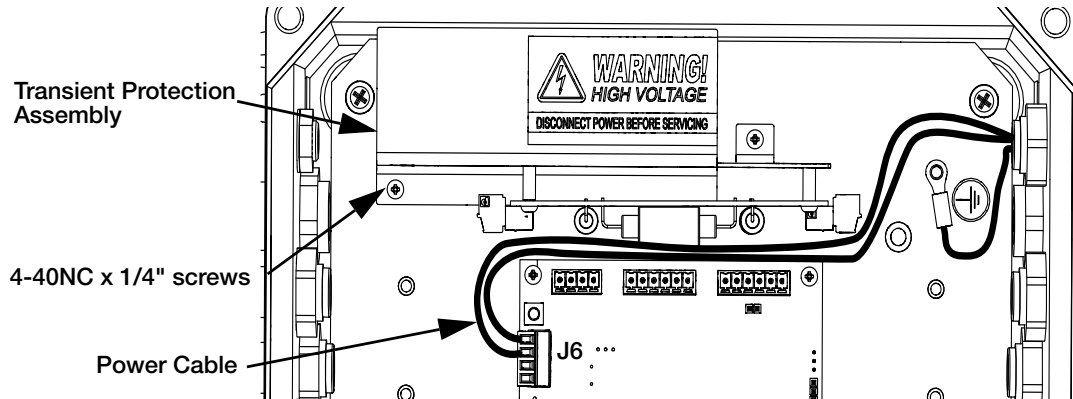


Figure 4. Install Transient Protection Assembly

5. Connect existing power cable to the transient protection board (J2).
6. Connect a new two wire cable from the transient protection board (J1) to the CPU board (J6).

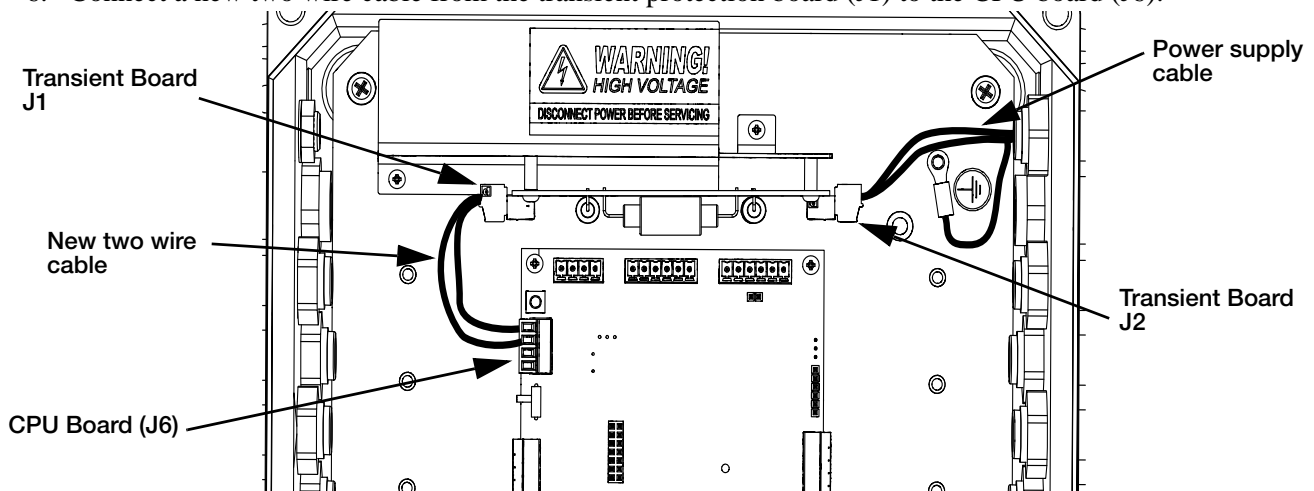


Figure 4-1. Connect Cables

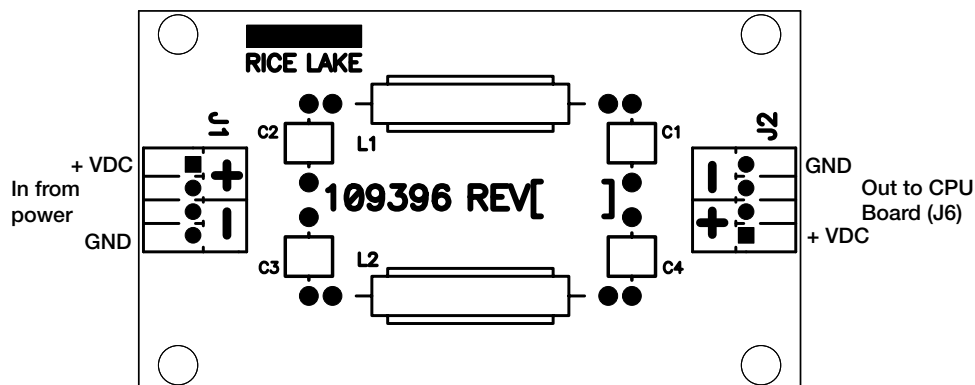


Figure 4-2. Transient Protection Board Wiring

7. Replace the enclosure cover.
8. Reconnect power the *iQube*².



Rice Lake Weighing Systems is an ISO 9001 registered company.

230 W. Coleman St. • Rice Lake, WI 54868 • USA
U.S. 800-472-6703 • Canada/Mexico 800-321-6703 • International 715-234-9171 • Europe +31 (0) 88 2349171

www.ricelake.com www.ricelake.mx www.ricelake.eu www.ricelake.co.in m.ricelake.com