

# Bench Scales

**NEW**  
**Pricing**

Prices printed in this catalog may no longer be valid for all products.

Please visit [www.ricelake.com](http://www.ricelake.com) or call 800-472-6703 for current pricing.

**BENCH SCALES**

## TABLE OF CONTENTS

<b>Bench Scales</b> .....	<b>159</b>	<b>BenchPro™ BP-S</b> .....	<b>187</b>
<b>BenchMark® SL</b> .....	<b>160</b>	<i>Digital Shipping Scale</i>	
<i>Light-capacity Bench Scale</i>		<b>BenchPro™ BP-SB</b> .....	<b>188</b>
<b>BenchMark® CW-80B</b> .....	<b>161</b>	<i>Ball Top Digital Shipping Scale</i>	
<i>Light-capacity Bench Scale</i>		<b>BenchPro™ BP-SR</b> .....	<b>189</b>
<b>BenchMark® SL/HE</b> .....	<b>162</b>	<i>Roller Top Digital Shipping Scale</i>	
<i>Spring Loaded/Hostile Environment Bench Scale</i>		<b>BenchMark® MSC-10</b> .....	<b>190</b>
<b>CW-90B</b> .....	<b>163</b>	<i>Mobile Scale Cart</i>	
<i>Light-capacity Bench Scale</i>		<b>BenchMark® MSC-20</b> .....	<b>191</b>
<b>CW-90XB</b> .....	<b>164</b>	<i>Mobile Scale Cart</i>	
<i>Light-capacity Bench Scale</i>		<b>BenchMark® MSC-30</b> .....	<b>192</b>
<b>Ready-n-Weigh Bench Scale System</b> .....	<b>165</b>	<i>Mobile Scale Cart</i>	
<i>CW-90B Bench Scale and 380 Indicator Package</i>		<b>BenchMark® MSC-40</b> .....	<b>193</b>
<b>Ready-n-Weigh Bench Scale System</b> .....	<b>166</b>	<i>Mobile Scale Cart</i>	
<i>CW-90B Bench Scale and 680 Indicator Package</i>		<b>Bench Scale Ball Transfer</b>	
<b>Ready-n-Weigh Bench Scale System</b> .....	<b>167</b>	<b>and Roller Conveyor</b> .....	<b>194</b>
<i>CW-90XB Bench Scale and 380 Indicator Package</i>		<b>Bench Scale Columns</b> .....	<b>195</b>
<b>Ready-n-Weigh Bench Scale System</b> .....	<b>168</b>		
<i>CW-90XB Bench Scale and 680 Indicator Package</i>			
<b>BenchMark® MS</b> .....	<b>169</b>		
<i>Mild Steel Bench Scale</i>			
<b>BenchMark® SS</b> .....	<b>170</b>		
<i>Stainless Steel Bench Scale</i>			
<b>BenchMark® HE</b> .....	<b>171</b>		
<i>Hostile Environment Bench Scale</i>			
<b>BenchMark® HE-X</b> .....	<b>172</b>		
<i>Hostile Environment Extreme Bench Scale</i>			
<b>BenchMark® LP</b> .....	<b>174</b>		
<i>Low-profile Bench Scale</i>			
<b>BenchMark® HD</b> .....	<b>175</b>		
<i>Heavy-duty Bench Scale</i>			
<b>BenchMark® HD-1</b> .....	<b>176</b>		
<i>Aviation Scale</i>			
<b>BenchMark® HD-2</b> .....	<b>178</b>		
<i>Aviation Scale</i>			
<b>BenchMark® HD-3</b> .....	<b>180</b>		
<i>Aviation Scale</i>			
<b>BenchMark® HDP</b> .....	<b>182</b>		
<i>Heavy-duty Portable Scale</i>			
<b>Versa-portion®</b> .....	<b>183</b>		
<i>Compact Bench Scale</i>			
<b>IGS-381</b> .....	<b>184</b>		
<i>Industrial General Scale with 381 Indicator Package</i>			
<b>BenchPro™ BP-P</b> .....	<b>186</b>		
<i>Digital Postal Scale</i>			

Product names, logos, brands and other trademarks featured or referred to within this publication are the property of their respective trademark holders.

# BenchMark® SL

Light-capacity Bench Scale

BENCH SCALES



## Standard Features

- NTEP Certified load cell
- 304 stainless steel construction
- LifeGuard™ base design isolates load cell from overloads and shock loads for added durability
- Specially designed adjustable support feet provide exceptional traction and won't scratch surfaces

## Specifications

### Load Cell:

IP66, environmentally sealed  
Aluminum

### Output Impedance:

350 ohm

### Maximum Overload:

200%

### Overload Protection:

Shock-absorbing spider

### Scale Frame:

AISI304L, straight line finish, Ra=45 ± 10

### Scale Cover:

AISI304L, straight line finish, Ra=45 ± 10

### Cable Length:

10 ft (3 m)

### Temperature:

Compensated:  
14 °F to 104 °F (-10 °C to 40 °C)

### Warranty:

Two-year limited

### Approvals:

NTEP 95-072, Class III 5,000 d  
Measurement Canada AM-5082  
Load cell is NTEP  
Load cell is cFMus approved

## Approvals



Measurement  
Canada  
Approved



## Part Number/Price

Part #	Platform Capacity	Dimensions (L × W × H)	Est. Weight	Price
18575*	2 lb (1 kg)	10 × 10 × 3.15 in	13 lb	\$745.00
18576	5 lb (2.5 kg)	10 × 10 × 3.15 in	13 lb	\$745.00
18577	10 lb (5 kg)	10 × 10 × 3.15 in	13 lb	\$745.00
18578	20 lb (10 kg)	10 × 10 × 3.15 in	13 lb	\$745.00
18579	30 lb (15 kg)	10 × 10 × 3.15 in	13 lb	\$745.00
32914	30 lb (15 kg)	12 × 12 × 3.25 in	14 lb	\$840.00
32913	50 lb (25 kg)	12 × 12 × 3.25 in	14 lb	\$840.00
35198	100 lb (50 kg)	12 × 12 × 3.25 in	14 lb	\$840.00

\*Non-NTEP Certified or Measurement Canada approved

## Options/Accessories

Part #	Description	Catalog Page #
Consult	Scale columns	See page 195
Consult	Ball transfer and roller conveyor scale tops	See page 194
Consult	Mobile scale carts	See page 190 to page 193

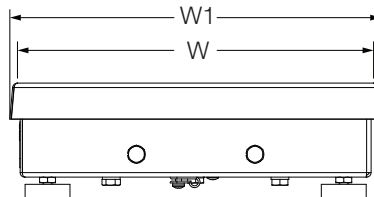
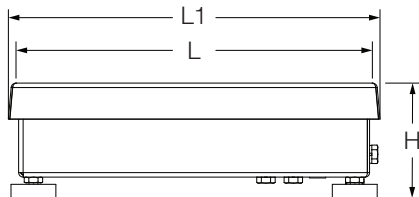
## Dimensions

BenchMark SL			
10 × 10 in			
H	3.15 in	W	10.00 in
L	10.00 in	W1	10.25 in
L1	10.25 in		

Note: 1 in = 25.4 mm

12 × 12 in			
H	3.25 in	W	12.00 in
L	12.00 in	W1	12.25 in
L1	12.25 in		

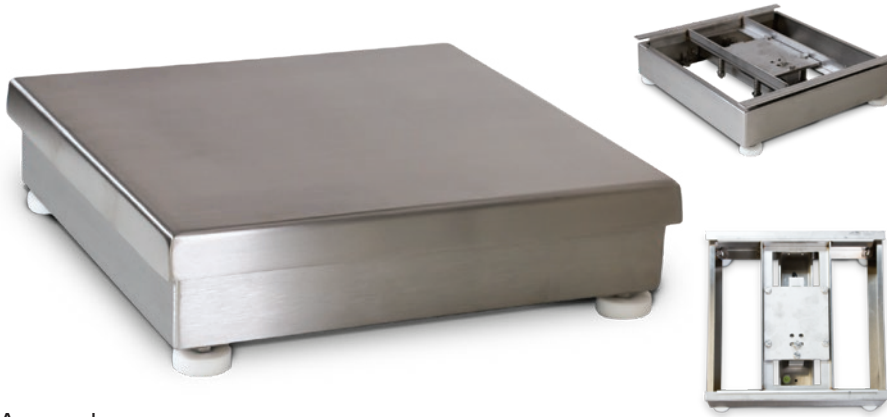
Note: 1 in = 25.4 mm



# BenchMark® CW-80B

Light-capacity Bench Scale

BENCH SCALES



## Standard Features

- NTEP Certified load cell
- 304 stainless steel construction
- LifeGuard™ base design isolates load cell from overloads and shock loads for added durability
- Specially designed adjustable support feet provide exceptional traction and won't scratch surfaces

## Specifications

### Load Cell:

IP67 environmentally sealed stainless steel

### Output Impedance:

350 ohm

### Maximum Overload:

200%

### Overload Protection:

Shock-absorbing spider

### Scale Frame:

AISI304L, straight line finish, Ra=45 ± 10

### Scale Cover:

AISI304L, straight line finish, Ra=45 ± 10

### Cable Length:

10 ft (3 m)

### Temperature:

Compensated:  
14 °F to 104 °F (-10 °C to 40 °C)

### Warranty:

Two-year limited

### Approvals:

NTEP 96-107, Class III, 3000 d  
Measurement Canada AM-5156  
Load cell is NTEP  
Load cell is FM approved

## Approvals



Measurement  
Canada  
Approved



## Part Number/Price

Part #	Platform Capacity	Dimensions (L × W × H)	Est. Weight	Price
35075	6 lb (3 kg)	10 × 10 × 3.15 in	13 lb	\$910.00
35076	10 lb (5 kg)	10 × 10 × 3.15 in	13 lb	\$910.00
35077	15 lb (7 kg)	10 × 10 × 3.15 in	13 lb	\$910.00
35078	30 lb (15 kg)	10 × 10 × 3.15 in	13 lb	\$910.00
35079	30 lb (15 kg)	12 × 12 × 3.25 in	14 lb	\$1,005.00
35080	60 lb (30 kg)	12 × 12 × 3.25 in	14 lb	\$1,005.00

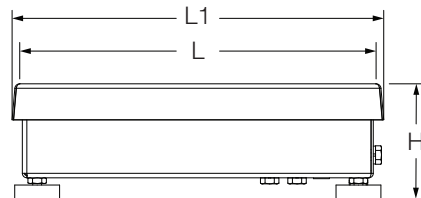
## Options/Accessories

Part #	Description	Catalog Page #
Consult	Scale columns	See page 195
Consult	Ball transfer and roller conveyor scale tops	See page 194
Consult	Mobile scale carts	See page 190 to page 193

## Dimensions

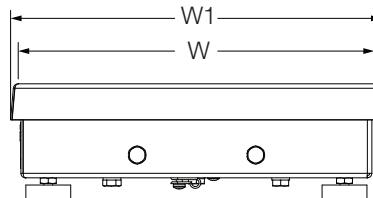
CW-80B			
10 × 10 in			
H	3.15 in	W	10.00 in
L	10.00 in	W1	10.25 in
L1	10.25 in		

Note: 1 in = 25.4 mm



12 × 12 in			
H	3.25 in	W	12.00 in
L	12.00 in	W1	12.25 in
L1	12.25 in		

Note: 1 in = 25.4 mm



# BenchMark® SL/HE

Spring Loaded/Hostile Environment Bench Scale

BENCH SCALES



## Standard Features

- NTEP Certified load cell
- 304 stainless steel construction
- LifeGuard™ base design isolates load cell from overloads and shock loads for added durability
- Specially designed adjustable support feet provide exceptional traction and won't scratch surfaces

## Specifications

### Load Cell:

IP69K, hermetically sealed  
Stainless steel

### Output Impedance:

350 ohm

### Maximum Overload:

200%, except 150% for 30 lb

### Overload Protection:

Shock-absorbing spider

### Scale Frame:

AISI304L, straight line finish, Ra=45 ± 10

### Scale Cover:

AISI304L, straight line finish, Ra=45 ± 10

### Cable Length:

10 ft (3 m)

### Temperature:

Compensated:  
14 °F to 104 °F (-10 °C to 40 °C)

### Warranty:

Three-year limited  
(includes water ingress)

### Approvals:

NTEP 95-072, Class III 5,000 d  
Measurement Canada AM-5082  
Load cell is NTEP  
Load cell is FM approved

## Approvals



Measurement  
Canada  
Approved



APPROVED

## Part Number/Price

Part #	Platform Capacity	Dimensions (L × W × H)	Est. Weight	Price
86942	5 lb (2.5 kg)	10 × 10 × 3.15 in	13 lb	\$1,355.00
86943	10 lb (5 kg)	10 × 10 × 3.15 in	13 lb	\$1,355.00
86944	20 lb (10 kg)	10 × 10 × 3.15 in	13 lb	\$1,355.00
86945	30 lb (15 kg)	10 × 10 × 3.15 in	13 lb	\$1,355.00
86946	30 lb (15 kg)	12 × 12 × 3.25 in	13 lb	\$1,450.00
86947	50 lb (25 kg)	12 × 12 × 3.25 in	14 lb	\$1,450.00
86948	100 lb (50 kg)	12 × 12 × 3.25 in	14 lb	\$1,450.00

## Options/Accessories

Part #	Description	Catalog Page #
Consult	Scale columns	See page 195
Consult	Ball transfer and roller conveyor scale tops	See page 194
Consult	Mobile scale carts	See page 190 to page 193

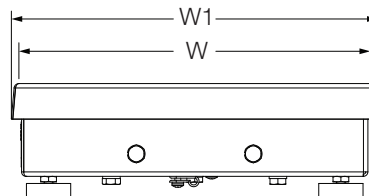
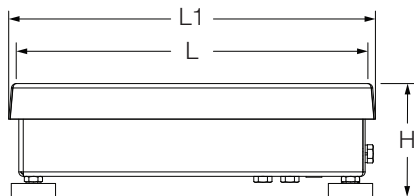
## Dimensions

BenchMark SL/HE			
10 × 10 in			
H	3.15 in	W	10.00 in
L	10.00 in	W1	10.25 in
L1	10.25 in		

Note: 1 in = 25.4 mm

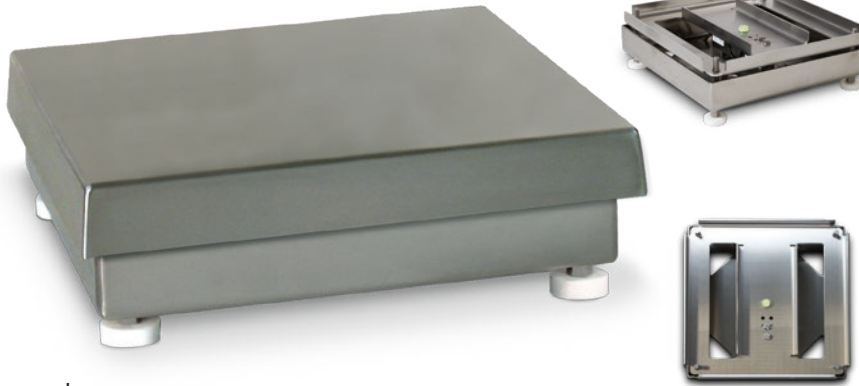
12 × 12 in			
H	3.25 in	W	12.00 in
L	12.00 in	W1	12.25 in
L1	12.25 in		

Note: 1 in = 25.4 mm



# CW-90B

Light-capacity Bench Scale



## Standard Features

- NTEP Certified load cell
- 304 stainless steel construction
- Meets HACCP requirements
- Five-point overload protection
- Specially designed adjustable support feet provide exceptional traction and will not scratch surfaces

## Specifications

### Load Cell:

IP67, environmentally sealed  
Aluminum

### Output Impedance:

350 ohm

### Maximum Overload:

180% to 200% depending on capacity

### Overload Protection:

Five-point, independently adjusted

### Scale Frame:

AISI304L, straight line finish, Ra=45 ± 10

### Scale Cover:

AISI304L, straight line finish, Ra=45 ± 10

### Cable Length:

34 in (86 cm) or 10 ft (3 m)

### Temperature:

Compensated:  
14 °F to 104 °F (-10 °C to 40 °C)

### Warranty:

Two-year limited

### Approvals:

NTEP 95-072, Class III 5,000 d  
Measurement Canada AM-5082  
NSF  
Load cell is NTEP  
Load cell is cFMus Approved

## Approvals



Measurement  
Canada  
Approved



## Part Number/Price

Part #	Platform Capacity	Dimensions (L × W × H)	Est. Weight	Price	
<b>10 ft cable</b>	<b>34 in cable</b>				
<b>112599</b>	<b>106137</b>	5 lb (2.5 kg)	10 × 10 × 4.25 in	14 lb	\$695.00
<b>112601</b>	<b>106138</b>	10 lb (5 kg)	10 × 10 × 4.25 in	14 lb	\$695.00
<b>112603</b>	<b>106139</b>	25 lb (10 kg)	10 × 10 × 4.25 in	14 lb	\$695.00
<b>112605</b>	<b>106140</b>	25 lb (10 kg)	12 × 12 × 4.25 in	17 lb	\$790.00
<b>112607</b>	<b>106141</b>	50 lb (25 kg)	12 × 12 × 4.25 in	17 lb	\$790.00
<b>112609</b>	<b>106142</b>	100 lb (50 kg)	12 × 12 × 4.25 in	17 lb	\$790.00

## Options/Accessories

Part #	Description	Catalog Page #
<b>Consult</b>	Scale columns	See page 195
<b>Consult</b>	Ball transfer and roller conveyor scale tops	See page 194
<b>Consult</b>	Mobile scale carts	See page 190 to page 193

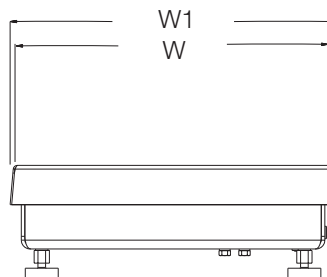
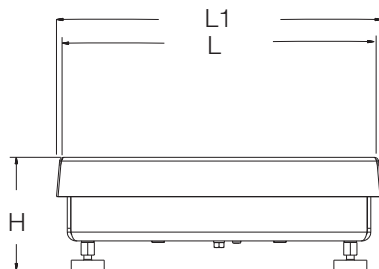
## Dimensions

CW-90B			
10 × 10 in			
H	4.25 in	W	10.00 in
L	10.00 in	W1	10.25 in
L1	10.25 in		

Note: 1 in = 25.4 mm

12 × 12 in			
H	4.25 in	W	12.00 in
L	12.00 in	W1	12.25 in
L1	12.25 in		

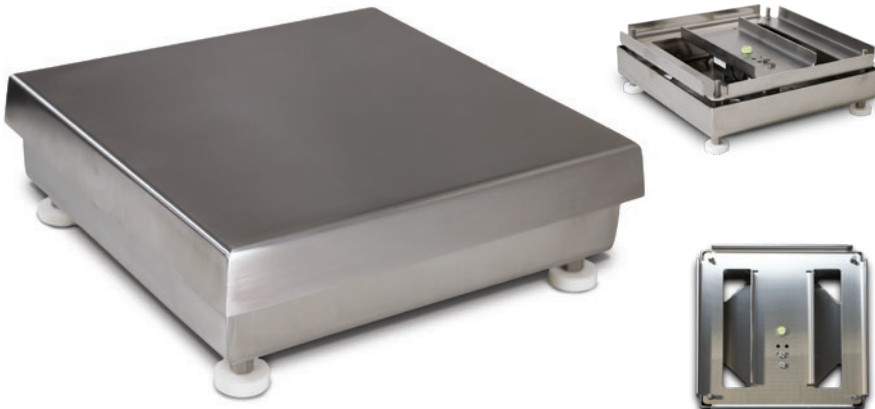
Note: 1 in = 25.4 mm



# CW-90XB

Light-capacity Bench Scale

BENCH SCALES



## Standard Features

- NTEP Certified load cell
- 304 stainless steel construction
- Meets HACCP requirements
- Five-point overload protection
- Specially designed adjustable support feet provide exceptional traction and will not scratch surfaces

## Specifications

### Load Cell:

IP69K, hermetically sealed  
Stainless steel

### Output Impedance:

350 ohm

### Maximum Overload:

180% to 200% depending on capacity

### Overload Protection:

Five-point, independently adjusted

### Scale Frame:

AISI304L, straight line finish, Ra=45 ± 10

### Scale Cover:

AISI304L, straight line finish, Ra=45 ± 10

### Cable Length:

34 in (86 cm) or 10 ft (3 m)

### Temperature:

Compensated:  
14 °F to 104 °F (-10 °C to 40 °C)

### Warranty:

Three-year limited  
(includes water ingress)

### Approvals:

NTEP 95-072, Class III 5,000 d  
Measurement Canada AM-5082  
NSF  
Load cell is NTEP  
Load cell is FM Approved

## Approvals



Measurement  
Canada  
Approved



## Part Number/Price

Part #	Platform Capacity	Dimensions (L × W × H)	Est. Weight	Price	
10 ft Cable 34 in Cable					
112600	106143	5 lb (2.5 kg)	10 × 10 × 4.25 in	14 lb	\$1,285.00
112602	106144	10 lb (5 kg)	10 × 10 × 4.25 in	14 lb	\$1,285.00
112604	106145	25 lb (10 kg)	10 × 10 × 4.25 in	14 lb	\$1,285.00
112606	106146	25 lb (10 kg)	12 × 12 × 4.25 in	17 lb	\$1,380.00
112608	106147	50 lb (25 kg)	12 × 12 × 4.25 in	17 lb	\$1,380.00
112610	106148	100 lb (50 kg)	12 × 12 × 4.25 in	17 lb	\$1,380.00

## Options/Accessories

Part #	Description	Catalog Page #
Consult	Scale columns	See page 195
Consult	Ball transfer and roller conveyor scale tops	See page 194
Consult	Mobile scale carts	See page 190 to page 193

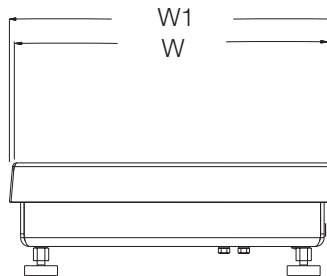
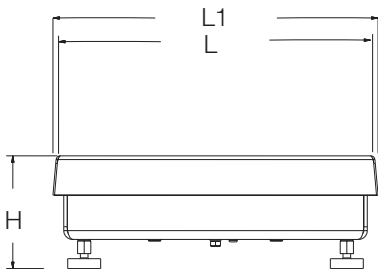
## Dimensions

CW-90XB			
10 × 10 in			
H	4.25 in	W	10.00 in
L	10.00 in	W1	10.25 in
L1	10.25 in		

Note: 1 in = 25.4 mm

12 × 12 in			
H	4.25 in	W	12.00 in
L	12.00 in	W1	12.25 in
L1	12.25 in		

Note: 1 in = 25.4 mm



# Ready-n-Weigh Bench Scale System

CW-90B Bench Scale and 380 Indicator Package

BENCH SCALES



## Approvals



Measurement  
Canada  
Approved



## CW-90B with 380 Package

Part #	Capacity	Dimensions (L x W x H)	Est. Weight	Price
208528	5 lb (2.5 kg)	10 x 10 x 4.25 in	24 lb	\$1,565.00
208529	10 lb (5 kg)	10 x 10 x 4.25 in	24 lb	\$1,565.00
208530	25 lb (10 kg)	10 x 10 x 4.25 in	24 lb	\$1,565.00
208531	25 lb (10 kg)	12 x 12 x 4.25 in	27 lb	\$1,660.00
208532	50 lb (25 kg)	12 x 12 x 4.25 in	27 lb	\$1,660.00
208533	100 lb (50 kg)	12 x 12 x 4.25 in	27 lb	\$1,660.00

## Options/Accessories

Part #	Description	Price
206433†	External AC adapter	\$60.00
204258	Real-time clock module	\$127.00

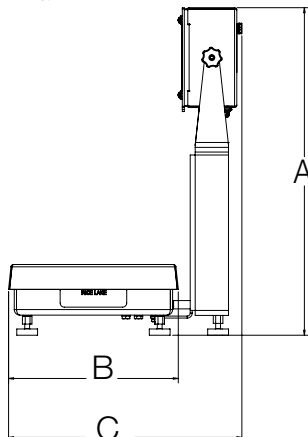


† US plug (NA) - Type A

## Dimensions

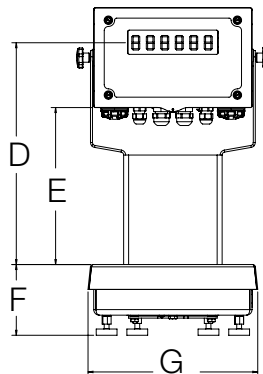
CW-90B Bench Scale and 380 Indicator 10 x 10 in			
A	19.56 in	E	9.43 in
B	10.20 in	F	4.25 in
C	14.02 in	G	10.20 in
D	13.36 in		

Note: 1 in = 25.4 mm



12 x 12 in			
A	19.56 in	E	9.30 in
B	12.38 in	F	4.25 in
C	16.10 in	G	12.35 in
D	13.23 in		

Note: 1 in = 25.4 mm



## Standard Features

- Package includes scale, NTEP Certified load cell, indicator and 12-inch column
- Factory calibrated with indicator setup and configured for 5,000 divisions
- Scale includes rubber feet to provide exceptional traction and avoid scratching surfaces along with removable top cover for ease of cleaning
- Optional battery backed time and date
- Standard RS-232 serial port for connecting to a variety of peripherals
- Powered by four alkaline C-cell batteries (not included) or external AC adapter (not included)

## CW-90B Specifications

### Load Cell:

IP67, environmentally sealed aluminum

### Scale Construction:

304 stainless steel

### Maximum Overload:

180% to 200% depending on capacity

### Overload Protection:

Five-point, independently adjusted

### Scale Frame:

AISI304L, straight line finish, Ra=45 ± 10

### Scale Cover:

AISI304L, straight line finish, Ra=45 ± 10

### Cable Length:

34 in (86 cm)

### Temperature:

Compensated:  
14 °F to 104 °F (-10 °C to 40 °C)

### Warranty:

Two-year limited

### Approvals:

NTEP 21-051, Class III 5,000 d  
Measurement Canada AM-6184  
NSF  
Load cell is NTEP  
Load cell is cMus Approved

## 380 Specifications

### Power:

Batteries: Four alkaline C-cell (not included)  
Optional: 115/230 VAC to 12 VAC adapter

### Battery Life:

100 hours on alkaline batteries with one 350 ohm load cell, no backlight

### Communication Ports:

One full-duplex RS-232 (three-wire)  
One USB 2.0

### Display:

Six 1 in (25 mm) tall, LCD digits

### Annunciators:

g, lb, t, tn, kg, oz, battery level, PT, LT, gross, zero, unstable, net

### Keys/Buttons:

Five tactile buttons

### Rating/Material:

IP66, 304 stainless steel

### Warranty:

Two-year limited

### Approvals:

NTEP 21-051  
Measurement Canada AM-6184  
CE Marked  
cULus Listed

# Ready-n-Weigh Bench Scale System

CW-90B Bench Scale and 680 Indicator Package

BENCH SCALES



Scale and Indicator Package

## Approvals



Measurement  
Canada  
Approved



## CW-90B with 680 Package

Part #	Platform Capacity	Dimensions (L × W × H)	Est. Weight	Price
<b>115-230 VAC, LED, Numeric, US Plug-Type B</b>				
201308	5 lb (2.5 kg)	10 × 10 × 4.25 in	24 lb	\$1,890.00
201309	10 lb (5 kg)	10 × 10 × 4.25 in	24 lb	\$1,890.00
201310	25 lb (10 kg)	10 × 10 × 4.25 in	24 lb	\$1,890.00
201311	25 lb (10 kg)	12 × 12 × 4.25 in	27 lb	\$1,985.00
201312	50 lb (25 kg)	12 × 12 × 4.25 in	27 lb	\$1,985.00
201313	100 lb (50 kg)	12 × 12 × 4.25 in	27 lb	\$1,985.00
<b>115-230 VAC, LED, Numeric, Euro Plug-Type E</b>				
201314	5 lb (2.5 kg)	10 × 10 × 4.25 in	24 lb	\$1,890.00
201315	10 lb (5 kg)	10 × 10 × 4.25 in	24 lb	\$1,890.00
201319	25 lb (10 kg)	10 × 10 × 4.25 in	24 lb	\$1,890.00
201320	25 lb (10 kg)	12 × 12 × 4.25 in	27 lb	\$1,985.00
201321	50 lb (25 kg)	12 × 12 × 4.25 in	27 lb	\$1,985.00
201322	100 lb (50 kg)	12 × 12 × 4.25 in	27 lb	\$1,985.00



\* US plug (NA) - Type B

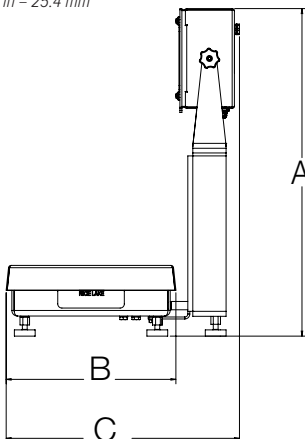


\*\* Euro Plug - Type E

## Dimensions

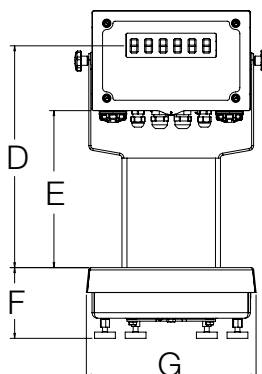
CW-90B Bench Scale and 680 Indicator			
10 × 10 in			
A	19.56 in	E	9.31 in
B	10.25 in	F	4.25 in
C	15.83 in	G	10.25 in
D	13.31 in		

Note: 1 in = 25.4 mm



12 × 12 in			
A	19.56 in	E	9.31 in
B	12.25 in	F	4.25 in
C	16.83 in	G	12.25 in
D	13.31 in		

Note: 1 in = 25.4 mm



## Standard Features

- Package includes scale, NTEP Certified load cell, indicator and 12-inch column
- Factory calibrated with indicator setup and configured for 5,000 divisions
- Scale includes rubber feet to provide exceptional traction and avoid scratching surfaces along with removable top cover for ease of cleaning
- Battery backed time and date
- Standard RS-232 serial ports for connecting to a variety of peripheral

## CW-90B Specifications

### Load Cell:

IP67, environmentally sealed  
Aluminum

### Scale Construction:

304 stainless steel

### Maximum Overload:

180% to 200% depending on capacity

### Overload Protection:

Five-point, independently adjusted

### Scale Frame:

AISI304L, straight line finish, Ra=45 ± 10

### Scale Cover:

AISI304L, straight line finish, Ra=45 ± 10

### Cable Length:

34 in (86 cm)

### Temperature:

Compensated:  
14 °F to 104 °F (-10 °C to 40 °C)

### Warranty:

Two-year limited

### Approvals:

NTEP 95-072, Class III 5,000 d  
Measurement Canada AM-5082  
NSF  
Load cell is NTEP  
Load cell is cFMus Approved

## 680 Specifications

### Power:

Line voltage: 100 to 240 VAC  
Frequency: 50/60 Hz

### Communication Ports:

Two full-duplex RS-232  
RS-485/422 (five-wire)  
Micro USB (device)  
Ethernet TCP/IP (10/100)

### Display:

Seven 0.8 in (20 mm) tall, seven-segment digits

### Annunciators:

Eight LED annunciators

### Keys/Buttons:

Flat membrane panel, tactile feel  
(18 buttons plus ON/OFF)

### Rating/Material:

IP69K (IP66 with RJ45)  
AISI 304 stainless Steel

### Warranty:

Two-year limited

### Approvals:

NTEP 19-021  
Measurement Canada AM-6121C  
CE Marked  
cULus Listed

# Ready-n-Weigh Bench Scale System

CW-90XB Bench Scale and 380 Indicator Package

BENCH SCALES



## Standard Features

- Package includes scale, NTEP Certified load cell, indicator and 12-inch column
- Factory calibrated with indicator setup and configured for 5,000 divisions
- Scale includes rubber feet to provide exceptional traction and avoid scratching surfaces along with a removable top cover for ease of cleaning
- Optional battery backed time and date
- Standard RS-232 serial port for connecting to a variety of peripherals
- Powered by four alkaline C-cell batteries (not included) or external AC adapter (not included)

## CW-90XB Specifications

### Load Cell:

IP69K, hermetically sealed  
Stainless steel

### Scale Construction:

304 stainless steel

### Maximum Overload:

180% to 200% depending on capacity

### Overload Protection:

Five-point, independently adjusted

### Scale Frame:

AISI304L, straight line finish, Ra = 45 ± 10

### Scale Cover:

AISI304L, straight line finish, Ra = 45 ± 10

### Cable Length:

34 in (86 cm)

### Temperature:

Compensated:  
14 °F to 104 °F (-10 °C to 40 °C)

### Warranty:

Three-year limited  
(includes water ingress)

### Approvals:

NTEP 95-072, Class III 5,000 d  
Measurement Canada AM-5082  
Load cell is NTEP  
Load cell is FM approved

## 380 Specifications

### Power:

Batteries: Four alkaline C-cell (not included)  
Optional: 115/230 VAC to 12 VDC adapter

### Battery Life:

100 hours on alkaline batteries with one 350 ohm load cell, no backlight

### Communication Ports:

One full-duplex RS-232 (three-wire)  
One USB 2.0

### Display:

Six 1 in (25 mm) tall, LCD digits

### Status Annunciators:

g, lb, t, tn, kg, oz, battery level, PT, LT, gross, zero, unstable, net

### Keys/Buttons:

Five tactile buttons

### Rating/Material:

IP66, 304 Stainless steel

### Warranty:

Two-year limited

### Approvals:

NTEP 21-051  
Measurement Canada AM-6184  
CE Marked  
cULus Listed

## Approvals



Measurement  
Canada  
Approved



## CW-90XB with 380 Package

Part #	Capacity	Dimensions (L × W × H)	Est. Weight	Price
208543	5 lb (2.5 kg)	10 × 10 × 4.25 in	24 lb	\$2,155.00
208544	10 lb (5 kg)	10 × 10 × 4.25 in	24 lb	\$2,155.00
208545	25 lb (10 kg)	10 × 10 × 4.25 in	24 lb	\$2,155.00
208546	25 lb (10 kg)	12 × 12 × 4.25 in	27 lb	\$2,250.00
208547	50 lb (25 kg)	12 × 12 × 4.25 in	27 lb	\$2,250.00
208548	100 lb (50 kg)	12 × 12 × 4.25 in	27 lb	\$2,250.00

## Options/Accessories

Part #	Description	Price
206433†	External AC adapter	\$60.00
204258	Real-time clock module	\$127.00



† US plug (NA) - Type A

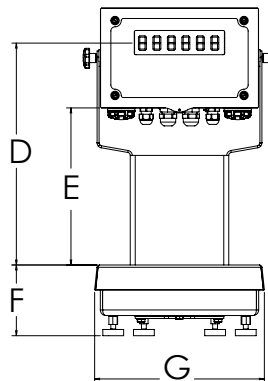
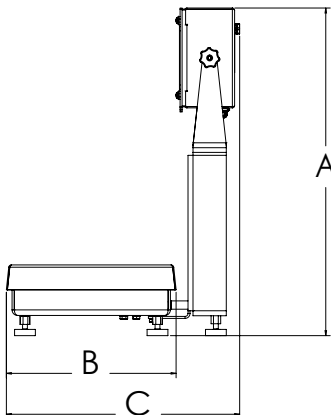
## Dimensions

CW-90XB Bench Scale and 380 Indicator			
10 × 10 in			
A	19.56 in	E	9.44 in
B	10.20 in	F	4.25 in
C	14.02 in	G	10.20 in
D	13.36 in		

Note: 1 in = 25.4 mm

12 × 12 in			
A	19.56 in	E	9.31 in
B	12.29 in	F	4.25 in
C	16.07 in	G	12.29 in
D	13.23 in		

Note: 1 in = 25.4 mm



# Ready-n-Weigh Bench Scale System

CW-90XB Bench Scale and 680 Indicator Package

BENCH SCALES



## Approvals



Measurement  
Canada  
Approved



## CW-90XB with 680 Package

Part #	Platform Capacity	Dimensions (L × W × H)	Est. Weight	Price
<b>115-230 VAC, LED, Numeric, US Plug-Type B</b>				
201409	5 lb (2.5 kg)	10 × 10 × 4.25 in	24 lb	\$2,480.00
201410	10 lb (5 kg)	10 × 10 × 4.25 in	24 lb	\$2,480.00
201411	25 lb (10 kg)	10 × 10 × 4.25 in	24 lb	\$2,480.00
201412	25 lb (10 kg)	12 × 12 × 4.25 in	27 lb	\$2,575.00
201413	50 lb (25 kg)	12 × 12 × 4.25 in	27 lb	\$2,575.00
201414	100 lb (50 kg)	12 × 12 × 4.25 in	27 lb	\$2,575.00
<b>115-230 VAC, LED, Numeric, Euro Plug-Type E</b>				
201415	5 lb (2.5 kg)	10 × 10 × 4.25 in	24 lb	\$2,480.00
201416	10 lb (5 kg)	10 × 10 × 4.25 in	24 lb	\$2,480.00
201417	25 lb (10 kg)	10 × 10 × 4.25 in	24 lb	\$2,480.00
201418	25 lb (10 kg)	12 × 12 × 4.25 in	27 lb	\$2,575.00
201419	50 lb (25 kg)	12 × 12 × 4.25 in	27 lb	\$2,575.00
201420	100 lb (50 kg)	12 × 12 × 4.25 in	27 lb	\$2,575.00



† US plug (NA) - Type B

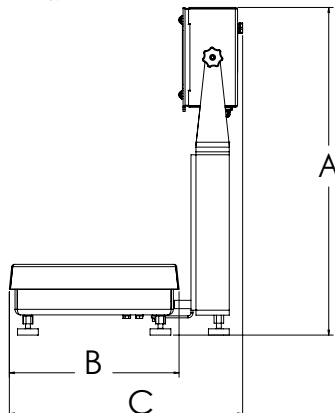


†† Euro Plug - Type E

## Dimensions

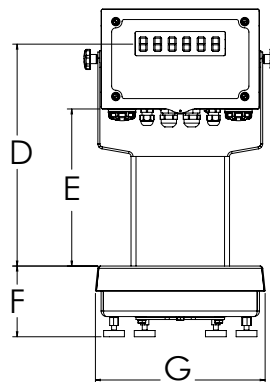
CW-90XB Bench Scale and 680 Indicator			
10 × 10 in			
A	19.56 in	E	9.31 in
B	10.25 in	F	4.25 in
C	15.83 in	G	10.25 in
D	13.31 in		

Note: 1 in = 25.4 mm



12 × 12 in			
A	19.56 in	E	9.31 in
B	12.25 in	F	4.25 in
C	16.83 in	G	12.25 in
D	13.31 in		

Note: 1 in = 25.4 mm



## Standard Features

- Package includes scale, NTEP Certified load cell, indicator and 12-inch column
- Factory calibrated with indicator setup and configured for 5,000 divisions
- Scale includes rubber feet to provide exceptional traction and avoid scratching surfaces along with removable top cover for ease of cleaning
- Battery backed time and date
- Standard RS-232 serial ports for connecting to a variety of peripherals

## CW-90XB Specifications

### Load Cell:

IP69K, hermetically sealed  
Stainless steel

### Scale Construction:

304 stainless steel

### Maximum Overload:

180% to 200% depending on capacity

### Overload Protection:

Five-point, independently adjusted

### Scale Frame:

AISI304L, straight line finish, Ra = 45 ± 10

### Scale Cover:

AISI304L, straight line finish, Ra = 45 ± 10

### Cable Length:

34 in (86 cm)

### Temperature:

Compensated:

14 °F to 104 °F (-10 °C to 40 °C)

### Warranty:

Three-year limited  
(includes water ingress)

### Approvals:

NTEP 95-072, Class III 5,000 d  
Measurement Canada AM-5082  
Load cell is NTEP  
Load cell is FM approved

## 680 Specifications

### Power:

Line voltage: 100 to 240 VAC  
Frequency: 50/60 Hz

### Communication Ports:

Two full-duplex RS-232  
RS-485/422 (five-wire)  
Micro USB (device)  
Ethernet TCP/IP (10/100)

### Display:

Seven 0.8-inch (20 mm) tall, seven-segment digits

### Annunciators:

Eight LED annunciators

### Keys/Buttons:

Flat membrane panel, tactile feel  
(18 buttons plus ON/OFF)

### Rating/Material:

IP69K (IP66 with RJ45)  
AISI 304 stainless steel

### Warranty:

Two-year limited

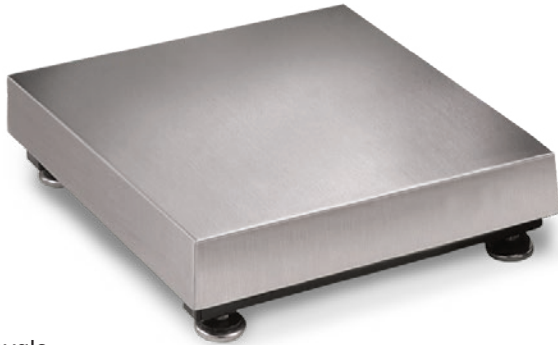
### Approvals:

NTEP 19-021  
Measurement Canada AM-6121C  
CE Marked  
cULus Listed

# BenchMark® MS

Mild Steel Bench Scale

BENCH SCALES



## Standard Features

- NTEP Certified load cell
- Painted mild steel frame with 304 stainless steel cover
- Base design isolates load cell from overloads and shock loads for added durability
- Specially designed adjustable support feet provide exceptional traction and will not scratch surfaces

## Specifications

### Load Cell:

IP66, environmentally sealed  
Aluminum

### Output Impedance:

350 ohm

### Maximum Overload:

150% to 200% depending on capacity

### Overload Protection:

Five-point, independently adjusted

### Scale Frame:

Mild steel powder coated black

### Scale Cover:

AISI304L, straight line finish, Ra=45 ± 10

### Cable Length:

10 ft (3 m)

### Temperature:

Compensated:  
14 °F to 104 °F (-10 °C to 40 °C)

### Warranty:

Two-year limited

### Approvals:

NTEP 95-072, Class III, 5,000 d  
Measurement Canada AM-5082  
Load cell is NTEP  
Load cell is FM/cFmus approved

## Approvals



Measurement  
Canada  
Approved



† Load cell  
approval



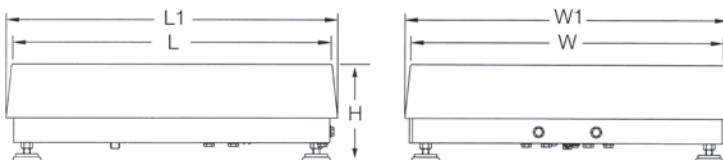
†† Load cell  
approval

## Part Number/Price

Part #	Capacity	Platform Dimensions (L x W x H)	Est. Weight	Price
18580 †	30 lb (15 kg)	12 x 12 x 4.12 in	20 lb	\$935.00
18582 †	50 lb (25 kg)	12 x 12 x 4.12 in	20 lb	\$935.00
18584 †	100 lb (50 kg)	12 x 12 x 4.12 in	20 lb	\$935.00
18586 ††	50 lb (25 kg)	12 x 18 x 4.12 in	37 lb	\$1,030.00
18588 ††	100 lb (50 kg)	12 x 18 x 4.12 in	37 lb	\$1,030.00
18590 †	50 lb (25 kg)	18 x 18 x 5.25 in	68 lb	\$1,270.00
18592 †	100 lb (50 kg)	18 x 18 x 5.25 in	68 lb	\$1,270.00
18594 †	150 lb (75 kg)	18 x 18 x 5.25 in	68 lb	\$1,270.00
18596 †	200 lb (100 kg)	18 x 18 x 5.25 in	68 lb	\$1,270.00
18598 †	250 lb (125 kg)	18 x 18 x 5.25 in	68 lb	\$1,270.00
18600 †	300 lb (150 kg)	18 x 18 x 5.25 in	68 lb	\$1,270.00
18602 †	500 lb (250 kg)	18 x 18 x 5.25 in	68 lb	\$1,270.00
18604 ††	1,000 lb (500 kg)	18 x 18 x 5.25 in	68 lb	\$1,270.00
18606 †	50 lb (25 kg)	24 x 18 x 5.25 in	78 lb	\$1,400.00
18608 †	100 lb (50 kg)	24 x 18 x 5.25 in	78 lb	\$1,400.00
18610 †	150 lb (75 kg)	24 x 18 x 5.25 in	78 lb	\$1,400.00
18612 †	200 lb (100 kg)	24 x 18 x 5.25 in	78 lb	\$1,400.00
18614 †	250 lb (125 kg)	24 x 18 x 5.25 in	78 lb	\$1,400.00
18616 †	300 lb (150 kg)	24 x 18 x 5.25 in	78 lb	\$1,400.00
18618 †	500 lb (250 kg)	24 x 18 x 5.25 in	78 lb	\$1,400.00
18620 ††	1,000 lb (500 kg)	24 x 18 x 5.25 in	78 lb	\$1,400.00
18622 †	100 lb (50 kg)	24 x 24 x 5.25 in	78 lb	\$1,545.00
18624 †	150 lb (75 kg)	24 x 24 x 5.25 in	84 lb	\$1,545.00
18626 †	200 lb (100 kg)	24 x 24 x 5.25 in	84 lb	\$1,545.00
18628 †	250 lb (125 kg)	24 x 24 x 5.25 in	84 lb	\$1,545.00
18630 †	300 lb (150 kg)	24 x 24 x 5.25 in	84 lb	\$1,545.00
18632 †	500 lb (250 kg)	24 x 24 x 5.25 in	84 lb	\$1,545.00
18634 ††	1,000 lb (500 kg)	24 x 24 x 5.25 in	84 lb	\$1,545.00

## Options/Accessories

Part #	Description	Catalog Page #
Consult	Scale columns	See page 195
Consult	Ball transfer and roller conveyor scale tops	See page 194
Consult	Mobile scale carts	See page 190 to page 193



## Dimensions

BenchMark MS			
<b>12 x 12 in</b>			
H	4.12 in	W	12.00 in
L	12.00 in	W1	12.50 in
L1	12.50 in		
<b>12 x 18 in</b>			
H	4.12 in	W	18.00 in
L	12.00 in	W1	18.50 in
L1	12.50 in		
<b>18 x 18 in</b>			
H	5.25 in	W	18.00 in
L	18.00 in	W1	18.75 in
L1	18.75 in		
<b>24 x 18 in</b>			
H	5.25 in	W	18.00 in
L	24.00 in	W1	18.75 in
L1	24.75 in		
<b>24 x 24 in</b>			
H	5.25 in	W	24.00 in
L	24.00 in	W1	24.75 in
L1	24.75 in		

Note: 1 in = 25.4 mm

# BenchMark® SS

Stainless Steel Bench Scale

BENCH SCALES



## Approvals



Measurement  
Canada  
Approved



APPROVED  
† Load cell  
approval



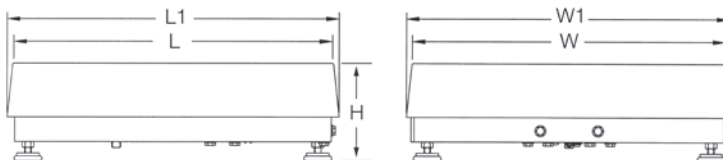
APPROVED  
†† Load cell  
approval

## Part Number/Price

Part #	Capacity	Platform Dimensions (L × W × H)	Est. Weight	Price
186222 †	50 lb (25 kg)	12 × 18 × 4.00 in	37 lb	\$1,095.00
186223 †	100 lb (50 kg)	12 × 18 × 4.00 in	37 lb	\$1,095.00
18591 †	50 lb (25 kg)	18 × 18 × 5.25 in	68 lb	\$1,515.00
18593 †	100 lb (50 kg)	18 × 18 × 5.25 in	68 lb	\$1,515.00
18595 †	150 lb (75 kg)	18 × 18 × 5.25 in	68 lb	\$1,515.00
18597 †	200 lb (100 kg)	18 × 18 × 5.25 in	68 lb	\$1,515.00
18599 †	250 lb (125 kg)	18 × 18 × 5.25 in	68 lb	\$1,515.00
18601 †	300 lb (150 kg)	18 × 18 × 5.25 in	68 lb	\$1,515.00
18603 †	500 lb (250 kg)	18 × 18 × 5.25 in	68 lb	\$1,515.00
18605 ††	1,000 lb (500 kg)	18 × 18 × 5.25 in	68 lb	\$1,515.00
18607 †	50 lb (25 kg)	24 × 18 × 5.25 in	78 lb	\$1,800.00
18609 †	100 lb (50 kg)	24 × 18 × 5.25 in	78 lb	\$1,800.00
18611 †	150 lb (75 kg)	24 × 18 × 5.25 in	78 lb	\$1,800.00
18613 †	200 lb (100 kg)	24 × 18 × 5.25 in	78 lb	\$1,800.00
18615 †	250 lb (125 kg)	24 × 18 × 5.25 in	78 lb	\$1,800.00
18617 †	300 lb (150 kg)	24 × 18 × 5.25 in	78 lb	\$1,800.00
18619 †	500 lb (250 kg)	24 × 18 × 5.25 in	78 lb	\$1,800.00
18621 ††	1,000 lb (500 kg)	24 × 18 × 5.25 in	78 lb	\$1,800.00
18623 †	100 lb (50 kg)	24 × 24 × 5.25 in	84 lb	\$2,215.00
18625 †	150 lb (75 kg)	24 × 24 × 5.25 in	84 lb	\$2,215.00
18627 †	200 lb (100 kg)	24 × 24 × 5.25 in	84 lb	\$2,215.00
18629 †	250 lb (125 kg)	24 × 24 × 5.25 in	84 lb	\$2,215.00
18631 †	300 lb (150 kg)	24 × 24 × 5.25 in	84 lb	\$2,215.00
18633 †	500 lb (250 kg)	24 × 24 × 5.25 in	84 lb	\$2,215.00
18635 ††	1,000 lb (500 kg)	24 × 24 × 5.25 in	84 lb	\$2,215.00

## Options/Accessories

Part #	Description	Catalog Page #
Consult	Scale columns	See page 195
Consult	Ball transfer and roller conveyor scale tops	See page 194
Consult	Mobile scale carts	See page 190 to page 193



## Standard Features

- NTEP Certified load cell
- 304 stainless steel frame and cover
- Base design isolates load cell from overloads and shock loads for added durability
- Specially designed adjustable support feet provide exceptional traction and will not scratch surfaces

## Specifications

### Load Cell:

IP66, environmentally sealed  
Aluminum

### Output Impedance:

350 ohm

### Maximum Overload:

150% to 200% depending on capacity

### Overload Protection:

Five-point, independently adjusted

### Scale Frame:

AISI304L, glass bead blasted for even appearance

### Scale Cover:

AISI304L, straight line finish, Ra=45 ±10

### Cable Length:

10 ft (3 m)

### Temperature:

Compensated:  
14 °F to 104 °F (-10 °C to 40 °C)

### Warranty:

Two-year limited

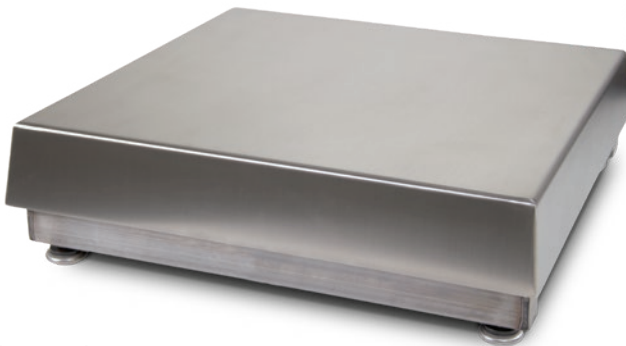
### Approvals:

NTEP 95-072, Class III, 5,000 d  
Measurement Canada AM-5082  
Load cell is NTEP  
Load cell is FM/cFMus approved

## Dimensions

BenchMark SS			
<b>12 × 18 in</b>			
H	4.00 in	W	18.00 in
L	12.00 in	W1	18.50 in
L1	12.50 in		
<b>18 × 18 in</b>			
H	5.25 in	W	18.00 in
L	18.00 in	W1	18.75 in
L1	18.75 in		
<b>18 × 24 in</b>			
H	5.25 in	W	18.00 in
L	24.00 in	W1	18.75 in
L1	24.75 in		
<b>24 × 24 in</b>			
H	5.25 in	W	24.00 in
L	24.00 in	W1	24.75 in
L1	24.75 in		

Note: 1 in = 25.4 mm



### Standard Features

- NTEP Certified load cell
- 304 stainless steel frame and cover
- Base design isolates load cell from overloads and shock loads for added durability
- Specially designed adjustable support feet provide exceptional traction and will not scratch surfaces

### Specifications

- Load Cell:**  
IP69K, hermetically sealed stainless steel
- Output Impedance:**  
1,000 ohm
- Maximum Overload:**  
150% to 200% depending on capacity
- Overload Protection:**  
Five-point, independently adjusted
- Scale Frame:**  
AISI304L, glass bead blasted for even appearance
- Scale Cover:**  
AISI304L, straight line finish, Ra=45 ± 10
- Cable Length:**  
10 ft (3 m)
- Temperature:**  
Compensated:  
14 °F to 104 °F (-10 °C to 40 °C)
- Warranty:**  
Three-year limited (includes water ingress)
- Approvals:**  
NTEP 95-072, Class III, 5,000 d  
Measurement Canada AM-5082  
Load cell is NTEP  
Load cell is FM approved

### Approvals



Measurement  
Canada  
Approved

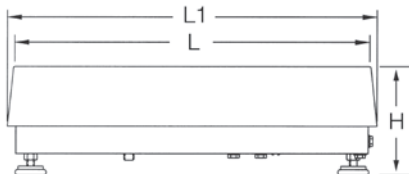


### Part Number/Price

Part #	Capacity	Platform Dimensions (L × W × H)	Est. Weight	Price
186897	50 lb (25 kg)	12 × 18 × 4.00 in	37 lb	\$1,555.00
186898	100 lb (50 kg)	12 × 18 × 4.00 in	37 lb	\$1,555.00
86952	50 lb (25 kg)	18 × 18 × 5.25 in	68 lb	\$1,870.00
86953	100 lb (50 kg)	18 × 18 × 5.25 in	68 lb	\$1,870.00
86954	150 lb (75 kg)	18 × 18 × 5.25 in	68 lb	\$1,870.00
86955	200 lb (100 kg)	18 × 18 × 5.25 in	68 lb	\$1,870.00
86956	250 lb (125 kg)	18 × 18 × 5.5 in	68 lb	\$2,235.00
86957	300 lb (150 kg)	18 × 18 × 5.5 in	68 lb	\$2,235.00
86958	500 lb (250 kg)	18 × 18 × 5.5 in	68 lb	\$2,235.00
86959	1,000 lb (500 kg)	18 × 18 × 5.5 in	68 lb	\$2,235.00
86960	50 lb (25 kg)	24 × 18 × 5.5 in	78 lb	\$2,525.00
86961	100 lb (50 kg)	24 × 18 × 5.5 in	78 lb	\$2,525.00
86962	150 lb (75 kg)	24 × 18 × 5.5 in	78 lb	\$2,525.00
86963	200 lb (100 kg)	24 × 18 × 5.5 in	78 lb	\$2,525.00
86964	250 lb (125 kg)	24 × 18 × 5.5 in	78 lb	\$2,525.00
86965	300 lb (150 kg)	24 × 18 × 5.5 in	78 lb	\$2,525.00
86966	500 lb (250 kg)	24 × 18 × 5.5 in	78 lb	\$2,525.00
86967	1,000 lb (500 kg)	24 × 18 × 5.5 in	78 lb	\$2,525.00
86968	100 lb (50 kg)	24 × 24 × 5.5 in	84 lb	\$2,940.00
86969	150 lb (75 kg)	24 × 24 × 5.5 in	84 lb	\$2,940.00
86970	200 lb (100 kg)	24 × 24 × 5.5 in	84 lb	\$2,940.00
86971	250 lb (125 kg)	24 × 24 × 5.5 in	84 lb	\$2,940.00
86972	300 lb (150 kg)	24 × 24 × 5.5 in	84 lb	\$2,940.00
86973	500 lb (250 kg)	24 × 24 × 5.5 in	84 lb	\$2,940.00
86974	1,000 lb (500 kg)	24 × 24 × 5.5 in	84 lb	\$2,940.00

### Options/Accessories

Part #	Description	Catalog Page #
Consult	Scale columns	See page 195
Consult	Ball transfer and roller conveyor scale tops	See page 194
Consult	Mobile scale carts	See page 190 to page 193



### Dimensions

BenchMark HE			
<b>12 × 18 in</b>			
H	4.00 in	W	18.00 in
L	12.00 in	W1	18.50 in
L1	12.50 in		
<b>18 × 18 × 5.25 in</b>			
H	5.25 in	W	18.00 in
L	18.00 in	W1	18.75 in
L1	18.75 in		
<b>18 × 18 × 5.5 in</b>			
H	5.50 in	W	18.00 in
L	18.00 in	W1	18.75 in
L1	18.75 in		
<b>18 × 24 in</b>			
H	5.50 in	W	18.00 in
L	24.00 in	W1	18.75 in
L1	24.75 in		
<b>24 × 24 in</b>			
H	5.50 in	W	24.00 in
L	24.00 in	W1	24.75 in
L1	24.75 in		

Note: 1 in = 25.4 mm

# BenchMark® HE-X

Hostile Environment Extreme Bench Scale

BENCH SCALES



## Specifications

### Load Cell:

IP69K, hermetically sealed  
Stainless steel

### Output Impedance:

1,000 ohm

### Maximum Overload:

150% to 200% depending on capacity

### Overload Protection:

Five-point, independently adjusted

### Scale Frame:

AISI304L, glass bead blasted for even appearance

### Scale Cover:

AISI304L, straight line finish, Ra=45 ± 10

### Cable Length:

10 ft (3 m)

### Temperature:

Compensated:  
14 °F to 104 °F (-10 °C to 40 °C)

### Warranty:

Three-year limited  
(includes water ingress)

### Approvals:

NSF  
Load cell is NTEP  
Load cell is FM approved

## Approvals



## Standard Features

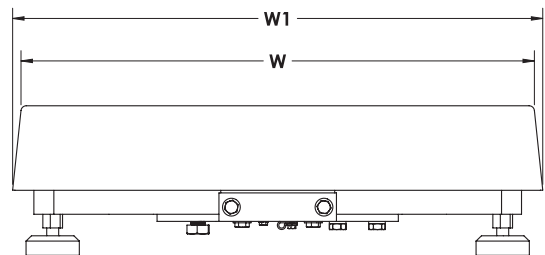
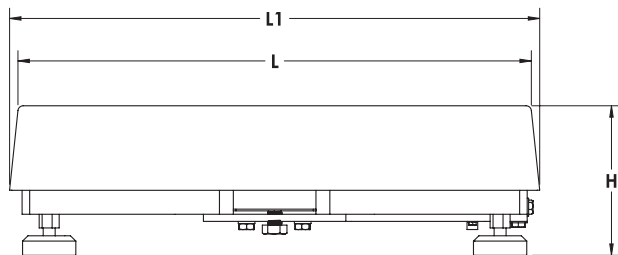
- NTEP, IP69K Certified load cell
- Washdown design
- 304 stainless steel frame and cover constructed with continuous welds
- Removable cover
- Four adjustable stainless steel support feet
- Meets sanitary design principles
- Meets HACCP requirements

## Dimensions

BenchMark HE-X			
<b>12 × 12 in</b>			
H	5.25 in	W	18.00 in
L	12.00 in	W1	18.50 in
L1	12.50 in		
<b>18 × 18 in</b>			
H	5.25 in	W	18.00 in
L	18.00 in	W1	18.75 in
L1	18.75 in		

<b>18 × 24 in</b>			
H	5.25 in	W	24.00 in
L	18.00 in	W1	24.75 in
L1	18.75 in		
<b>24 × 24 in</b>			
H	5.25 in	W	24.00 in
L	24.00 in	W1	24.75 in
L1	24.75 in		

Note: 1 in = 25.4 mm



## Part Number/Price

Part #	Capacity	Platform Dimensions (L x W x H)	Est. Weight	Price
192346	50 lb (25 kg)	12 x 18 x 5.25 in	59 lb	\$3,075.00
192347	100 lb (50 kg)	12 x 18 x 5.25 in	59 lb	\$3,075.00
191455	50 lb (25 kg)	18 x 18 x 5.25 in	73 lb	\$3,255.00
191456	100 lb (50 kg)	18 x 18 x 5.25 in	73 lb	\$3,255.00
191457	150 lb (75 kg)	18 x 18 x 5.25 in	73 lb	\$3,255.00
191458	200 lb (100 kg)	18 x 18 x 5.25 in	73 lb	\$3,255.00
191459	250 lb (125 kg)	18 x 18 x 5.25 in	73 lb	\$3,255.00
191460	300 lb (150 kg)	18 x 18 x 5.25 in	73 lb	\$3,255.00
191461	500 lb (250 kg)	18 x 18 x 5.25 in	73 lb	\$3,255.00
191462	1,000 lb (500 kg)	18 x 18 x 5.25 in	73 lb	\$3,255.00
191467	50 lb (25 kg)	18 x 24 x 5.25 in	90 lb	\$3,515.00
191469	100 lb (50 kg)	18 x 24 x 5.25 in	90 lb	\$3,515.00
191470	150 lb (75 kg)	18 x 24 x 5.25 in	90 lb	\$3,515.00
191472	200 lb (100 kg)	18 x 24 x 5.25 in	90 lb	\$3,515.00
191473	250 lb (125 kg)	18 x 24 x 5.25 in	90 lb	\$3,515.00
191474	300 lb (150 kg)	18 x 24 x 5.25 in	90 lb	\$3,515.00
191475	500 lb (250 kg)	18 x 24 x 5.25 in	90 lb	\$3,515.00
191476	1,000 lb (500 kg)	18 x 24 x 5.25 in	90 lb	\$3,515.00
191479	100 lb (50 kg)	24 x 24 x 5.25 in	122 lb	\$3,780.00
191480	150 lb (75 kg)	24 x 24 x 5.25 in	122 lb	\$3,780.00
191481	200 lb (100 kg)	24 x 24 x 5.25 in	122 lb	\$3,780.00
191482	250 lb (125 kg)	24 x 24 x 5.25 in	122 lb	\$3,780.00
191483	300 lb (150 kg)	24 x 24 x 5.25 in	122 lb	\$3,780.00
191485	500 lb (250 kg)	24 x 24 x 5.25 in	122 lb	\$3,780.00
191486	1,000 lb (500 kg)	24 x 24 x 5.25 in	122 lb	\$3,780.00

## Options/Accessories


Part #	Description	Catalog Page #
Consult	Scale columns	See page 195
Consult	Ball transfer and roller conveyor scale tops	See page 194
Consult	Mobile scale carts	See page 190 to page 193

# BenchMark® LP

Low-profile Bench Scale

BENCH SCALES



 Ideal for aviation weighing. A complete system can be sold with the Tracer® AV2. Reference Aviation section for specifications.

## Standard Features

- Mild steel base construction
- 304 stainless steel cover
- ABS junction box
- Four planar beam load cells
- Adjustable leveling feet
- 20 ft of EL147 load cell cable
- Holes in lower frame for mounting scale without adjustable leveling feet

## Specifications

### Load Cell:

IP65  
Aluminum

### Output:

1.0 mV/V ± 10%

### End Load Capacity:

60% of full scale capacity

### Cable Length:

20 ft (6.1 m) for connecting junction box to indicator

### Scale Frame:

Mild steel powder coated black

### Scale Cover:

AISI304L, straight line finish, Ra=45 ± 10

### Warranty:

Two-year limited

### Approvals:

NTEP 08-017, Class III 5,000 d  
(except 1,000 lb capacity)  
Measurement Canada AM 5660  
(except 500 kg capacity)

## Approvals



Measurement  
Canada  
Approved

## Part Number/Price

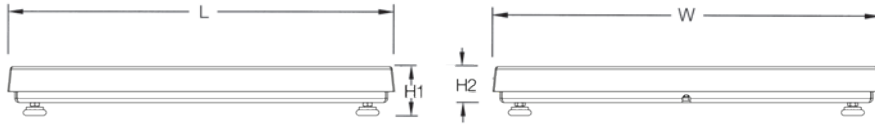
Part #	Capacity	Platform Dimensions L × W × H1 (H2)	Est. Weight	Price
97662	100 lb (50 kg)	18 × 18 × 2.63 in (1.67 in*)	75 lb	\$1,455.00
97663	250 lb (125 kg)	18 × 18 × 2.50 in (1.74 in*)	85 lb	\$1,485.00
97664	500 lb (250 kg)	18 × 18 × 2.69 in (1.93 in*)	85 lb	\$1,525.00
97665	100 lb (50 kg)	24 × 24 × 2.66 in (1.69 in*)	85 lb	\$1,740.00
97666	250 lb (125 kg)	24 × 24 × 2.83 in (2.07 in*)	100 lb	\$1,765.00
97667	500 lb (250 kg)	24 × 24 × 3.02 in (2.26 in*)	100 lb	\$1,800.00
97668	500 lb (250 kg)	30 × 30 × 3.02 in (2.26 in*)	150 lb	\$2,075.00
97669**	1,000 lb (500 kg)	30 × 30 × 3.47 in (2.70 in*)	190 lb	\$2,145.00
97670	500 lb (250 kg)	36 × 36 × 3.02 in (2.26 in*)	175 lb	\$2,720.00
97671**	1,000 lb (500 kg)	36 × 36 × 3.47 in (2.70 in*)	175 lb	\$2,785.00

\*Height without adjustable leveling feet

\*\* Non-NTEP or Measurement Canada Approved

## Options/Accessories

Part #	Description	Price
208904	20 ft cable with DB-9 connector for connecting to Tracer AV2	\$95.00



## Dimensions

BenchMark LP			
<b>PN 97662</b>			
H1	2.63 in	L	18.00 in
H2	1.67 in	W	18.00 in
<b>PN 97663</b>			
H1	2.50 in	L	18.00 in
H2	1.74 in	W	18.00 in
<b>PN 97664</b>			
H1	2.69 in	L	18.00 in
H2	1.93 in	W	18.00 in
<b>PN 97665</b>			
H1	2.66 in	L	24.00 in
H2	1.69 in	W	24.00 in

Note: 1 in = 25.4 mm

<b>PN 97666</b>			
H1	2.83 in	L	24.00 in
H2	2.07 in	W	24.00 in
<b>PN 97667</b>			
H1	3.02 in	L	24.00 in
H2	2.26 in	W	24.00 in
<b>PN 97668</b>			
H1	3.02 in	L	30.00 in
H2	2.26 in	W	30.00 in
<b>PN 97669</b>			
H1	3.47 in	L	30.00 in
H2	2.70 in	W	30.00 in

Note: 1 in = 25.4 mm

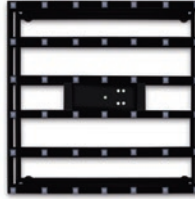
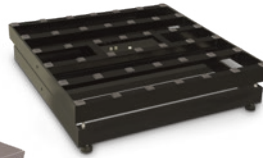
<b>PN 97670</b>			
H1	3.02 in	L	36.00 in
H2	2.26 in	W	36.00 in
<b>PN 97671</b>			
H1	3.47 in	L	36.00 in
H2	2.70 in	W	36.00 in

Note: 1 in = 25.4 mm

# BenchMark® HD

Heavy-duty Bench Scale

BENCH SCALES



## Standard Features

- Heavy-duty designed mild steel base construction with 304 stainless steel cover
- Polyurethane rubber leveling feet with stainless steel stems

## Specifications

### Load Cell:

IP67, environmentally sealed  
Aluminum

### Output Impedance:

350 ohm

### Maximum Overload:

200%

### Overload Protection:

Five-point, independently adjusted

### Scale Frame:

Mild steel powder coated black

### Scale Cover:

AISI304L, straight line finish, Ra=45 ± 10

### Cable Length:

10 ft (3 m)

### Temperature:

Compensated:  
14 °F to 104 °F (-10 °C to 40 °C)

### Warranty:

Two-year limited

### Approvals:

NTEP 06-010, Class III 5,000 d  
Measurement Canada AM-5625  
Load cell is cFMus approved

## Approvals



Measurement  
Canada  
Approved



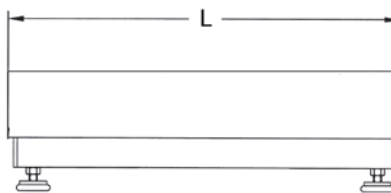
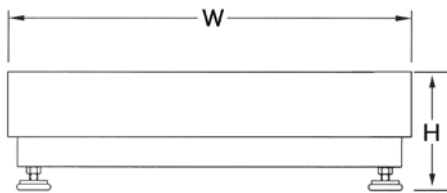
## Part Number/Price

Part #	Capacity	Platform Dimensions (L × W × H)	Est. Weight	Price
93414	250 lb (125 kg)	30 × 30 × 8.75 in	300 lb	\$2,230.00
93415	500 lb (225 kg)	30 × 30 × 8.75 in	300 lb	\$2,230.00
93416	250 lb (125 kg)	36 × 36 × 8.75 in	330 lb	\$2,700.00
93417	500 lb (225 kg)	36 × 36 × 8.75 in	330 lb	\$2,700.00

## Dimensions

BenchMark HD			
<b>30 × 30 in</b>			
H	8.75 in	W	30.00 in
L	30.00 in		
<b>36 × 36 in</b>			
H	8.75 in	W	36.00 in
L	36.00 in		

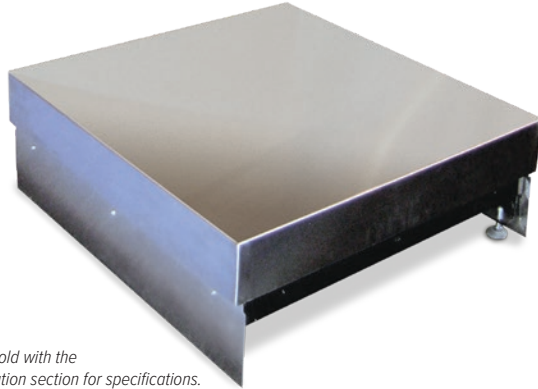
Note: 1 in = 25.4 mm



# BenchMark® HD-1

Aviation Scale

BENCH SCALES



*Ideal for aviation weighing.  
A complete system can be sold with the  
Tracer® AV2. Reference Aviation section for specifications.*

## Approvals



## Part Number/Price

Part #	Capacity	Platform Dimensions	Price
Consult	500 lb (225 kg)	W × D × 12 in	Consult

*Note: Maximum size is up to 36 in × 36 in, height is always 12 in W × D supplied by customer*

## Standard Features

- Heavy-duty scale designed mild steel base construction with 304 stainless steel cover
- Polyurethane rubber leveling feet with stainless steel stems
- Load cell comes standard with DB-9 connector for connecting to Tracer AV2
- Front and back kick plates

## Specifications

### Load Cell:

IP67, environmentally sealed  
Aluminum

### Output Impedance:

350 ohm

### Maximum Overload:

200%

### Overload Protection:

Five-point, independently adjusted

### Cable Length:

10 ft (3 m)

### Temperature:

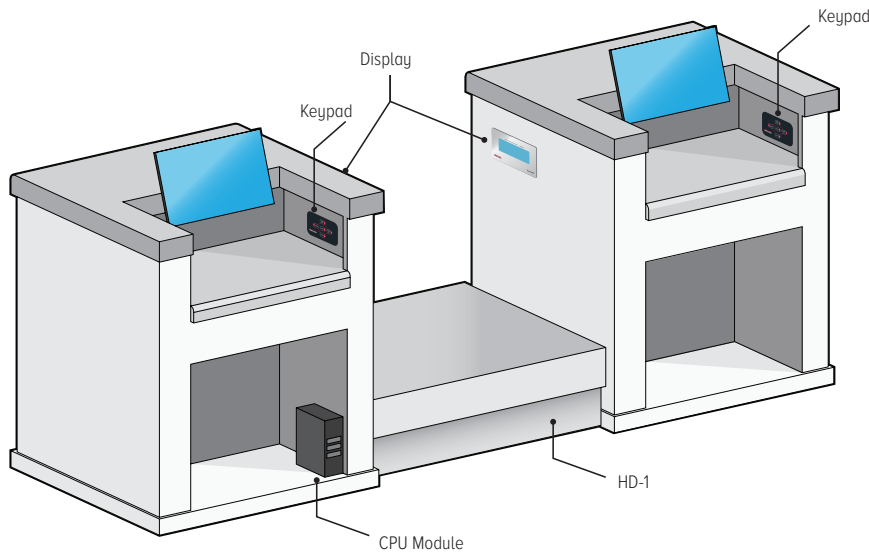
Compensated:  
14 °F to 104 °F (-10 °C to 40 °C)

### Warranty:

Two-year limited

### Approvals:

NTEP 06-010, Class III 5,000 d  
Measurement Canada AM-5625  
Load cell is cFMus approved

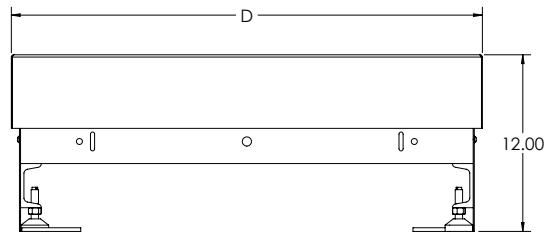
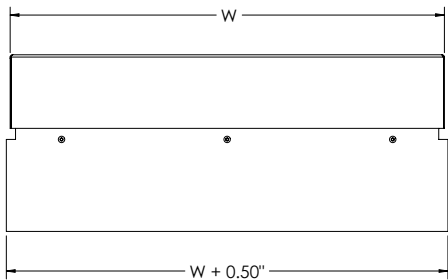
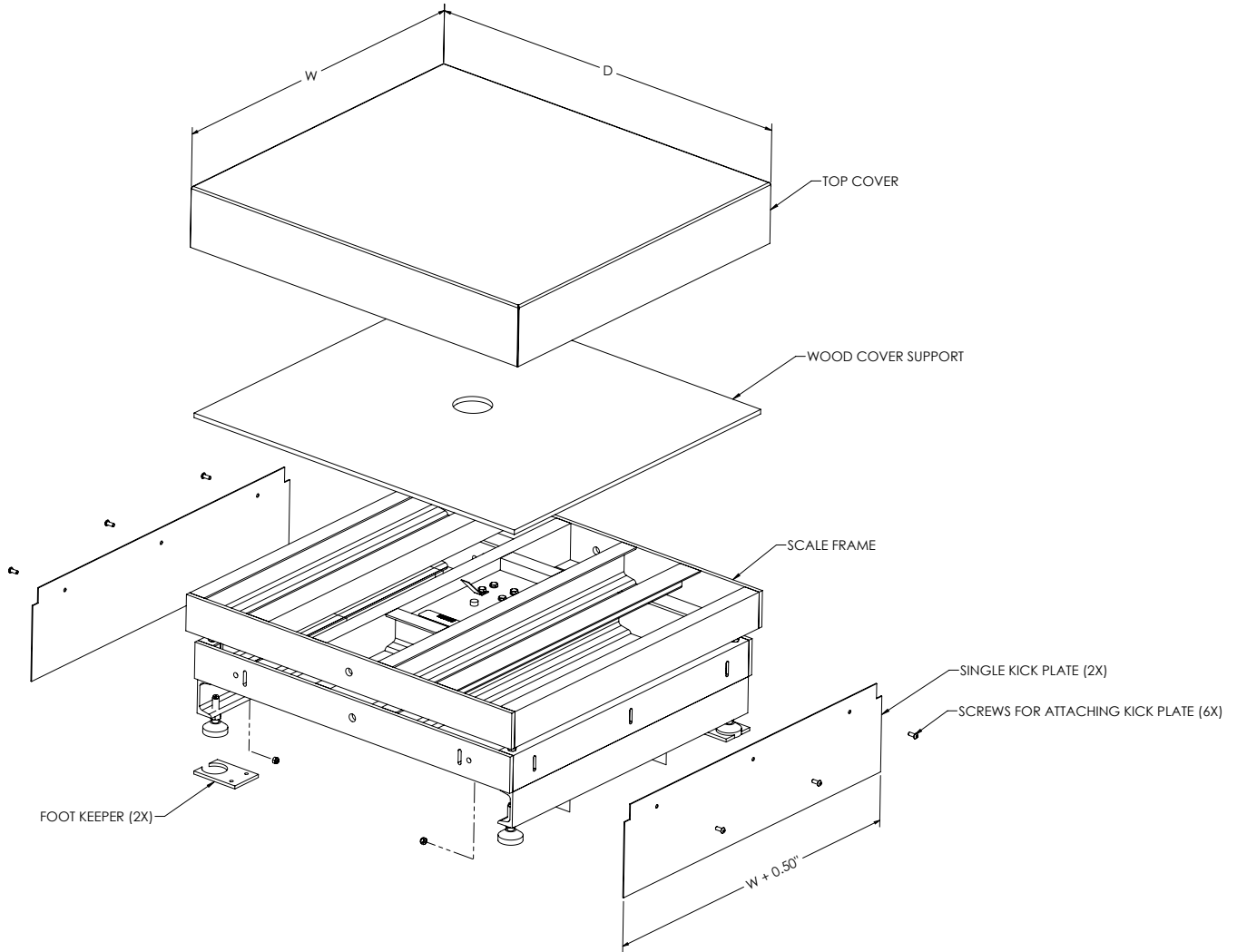


*Baggage weighing system with Benchmark HD-1 and Tracer AV2 dual LCD panel mount display, dual keypad*

# BenchMark® HD-1

Aviation Scale

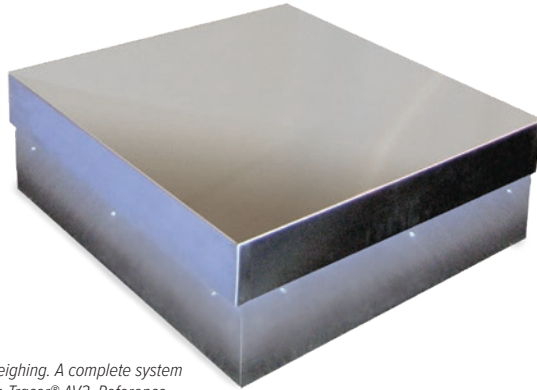
BENCH SCALES




# BenchMark® HD-2

Aviation Scale

BENCH SCALES



 Ideal for aviation weighing. A complete system can be sold with the Tracer® AV2. Reference Aviation section for specifications.

## Approvals



Measurement  
Canada  
Approved



## Part Number/Price

Part #	Capacity	Platform Dimensions	Price
Consult	500 lb (225 kg)	W × D × 12 in	Consult

Note: Maximum size is up to 36 in × 36 in, height is always 12 in W × D supplied by customer.

## Standard Features

- Heavy-duty scale designed mild steel base construction with 304 stainless steel cover
- Polyurethane rubber leveling feet with stainless steel stems
- Load cell comes standard with DB-9 connector for connecting to Tracer AV2
- Three-sided kick plate

## Specifications

### Load Cell:

IP67, environmentally sealed  
Aluminum

### Output Impedance:

350 ohm

### Maximum Overload:

200%

### Overload Protection:

Five-point, independently adjusted

### Cable Length:

10 ft (3 m)

### Temperature:

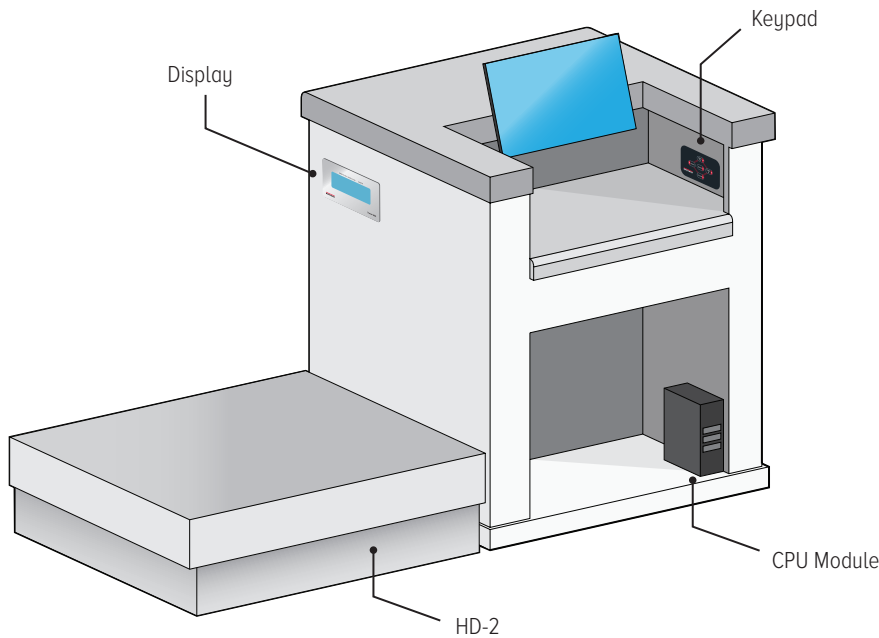
Compensated:  
14 °F to 104 °F (-10 °C to 40 °C)

### Warranty:

Two-year limited

### Approvals:

NTEP 06-010, Class III 5,000 d  
Measurement Canada AM-5625  
Load cell is cFMus approved

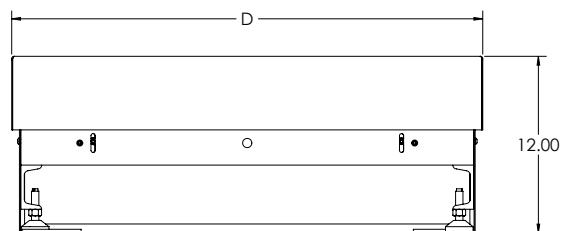
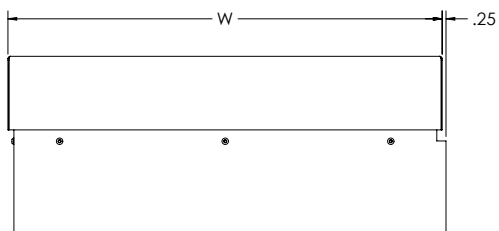
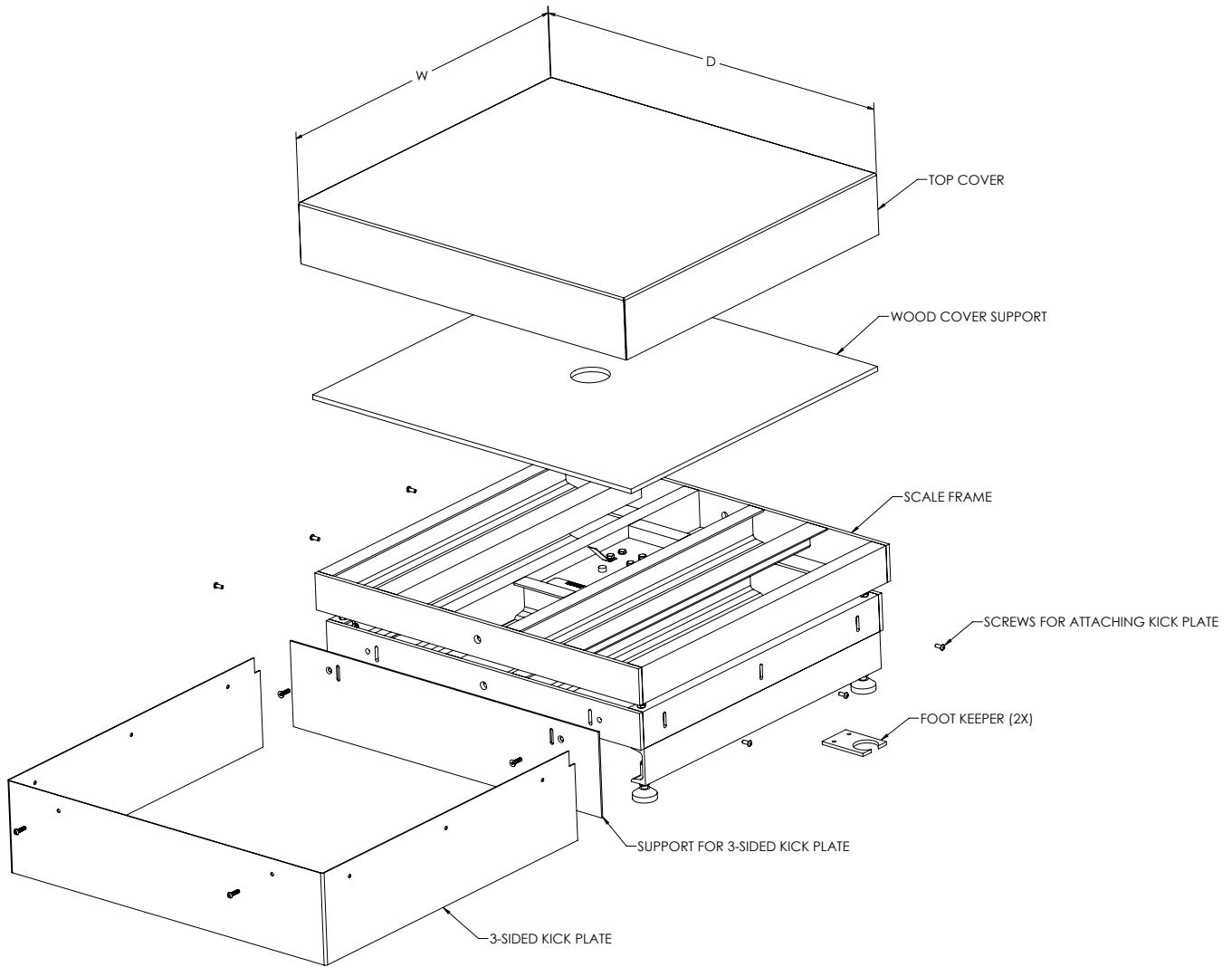


Baggage weighing system with Benchmark HD-2 and Tracer AV2 single LCD panel mount display, single keypad

# BenchMark® HD-2

Aviation Scale

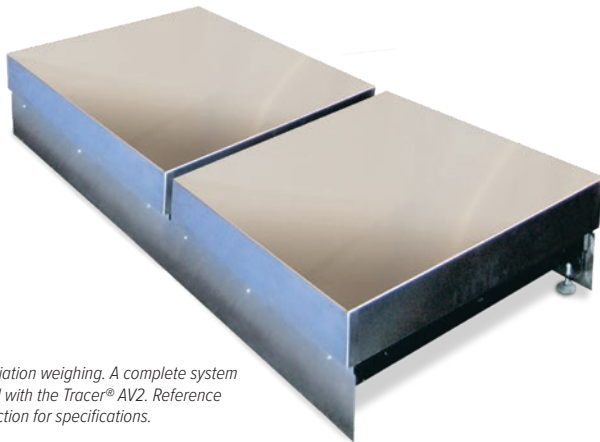
BENCH SCALES



# BenchMark® HD-3

Aviation Scale

BENCH SCALES



*Ideal for aviation weighing. A complete system can be sold with the Tracer® AV2. Reference Aviation section for specifications.*

## Approvals



Measurement  
Canada  
Approved



## Part Number/Price

Part #	Capacity	Platform Dimensions	Price
Consult	500 lb (225 kg)	W × D × 12 in	Consult

*Note: Maximum size is up to 36 in × 36 in, height is always 12 in W × D supplied by customer.*

## Standard Features

- Two heavy-duty scales designed mild steel base construction with 304 stainless steel cover
- Polyurethane rubber leveling feet with stainless steel stems
- Load cell comes standard with DB-9 connector for connecting to Tracer AV2
- Front and back kick plates for two side-by-side scales

## Specifications

### Load Cell:

IP67, environmentally sealed  
Aluminum

### Output Impedance:

350 ohm

### Maximum Overload:

200%

### Overload Protection:

Five-point, independently adjusted

### Cable Length:

10 ft (3 m)

### Temperature:

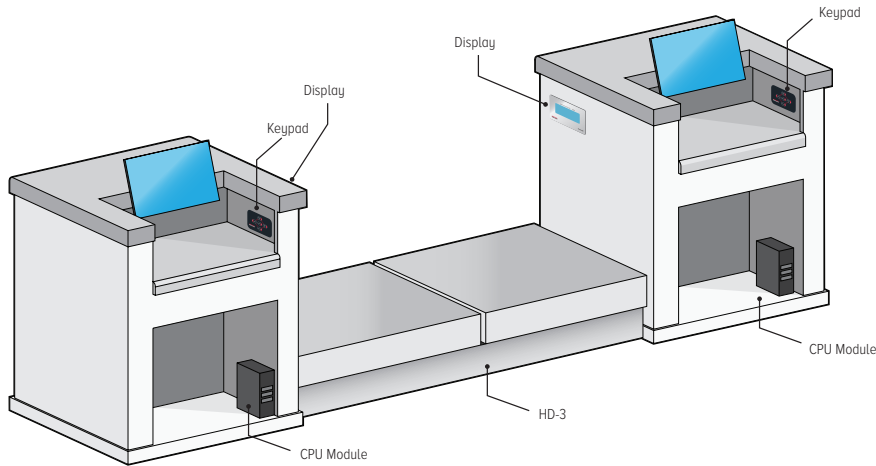
Compensated:  
14 °F to 104 °F (-10 °C to 40 °C)

### Warranty:

Two-year limited

### Approvals:

NTEP 06-010, Class III 5,000 d  
Measurement Canada AM-5625  
Load cell is cFMus approved

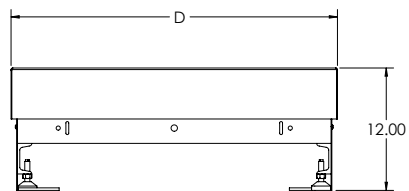
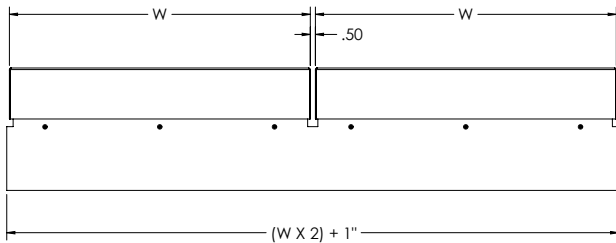
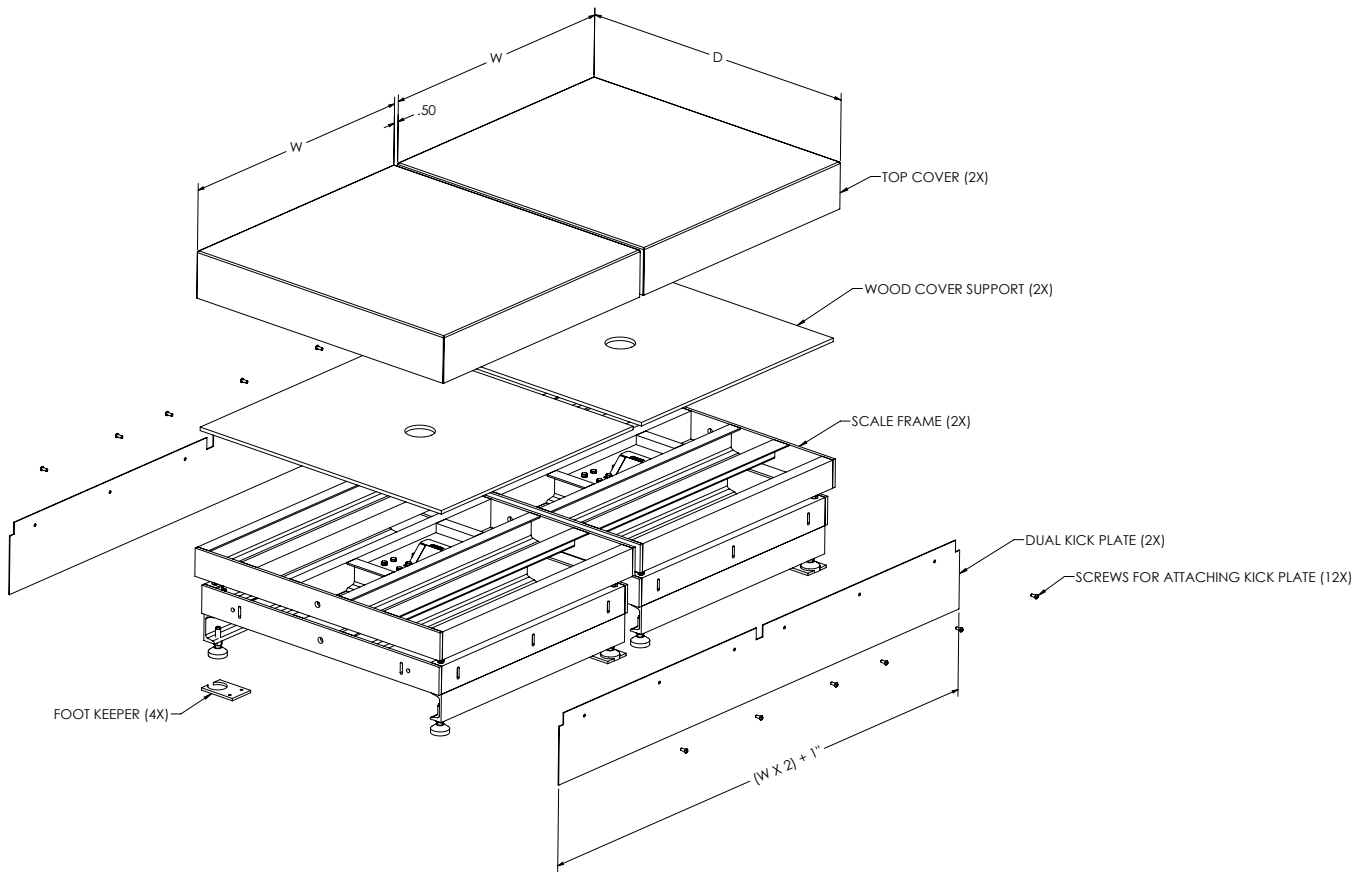


*Baggage weighing system with BenchMark HD-3 and Tracer AV2 single LCD panel mount display, single keypad*

# BenchMark® HD-3

Aviation Scale

BENCH SCALES



# BenchMark® HDP

Heavy-duty Portable Scale

BENCH SCALES



## Standard Features

- Mild steel base construction
- 304 stainless steel cover
- Indicator stand for mounting 380 Synergy

### Wheel model

- Polyurethane rubber leveling feet with stainless steel stems
- 8-inch diameter preformed rubber wheels with ball bearings

### Caster model

- 3 1/2 in diameter preformed rubber casters, two fixed, two swivel with lock

## Specifications

### Load Cell:

IP67, environmentally sealed  
Aluminum

### Output Impedance:

350 ohm

### Maximum Overload:

200%

### Overload Protection:

Five-point, independently adjusted

### Scale Frame:

Mild steel powder-coated black

### Scale Cover:

AISI304L, straight line finish, Ra=45 ± 10

### Cable Length:

10 ft (3 m)

### Temperature:

Compensated:  
14 °F to 104 °F (-10 °C to 40 °C)

### Warranty:

Two-year limited

### Approvals:

NTEP 06-010, Class III 5,000 d  
Measurement Canada AM-5625

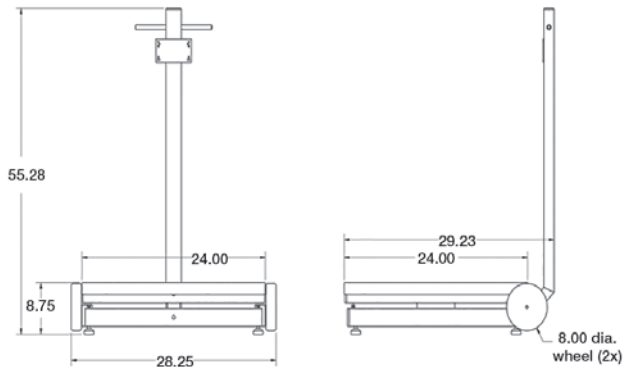
## Approvals



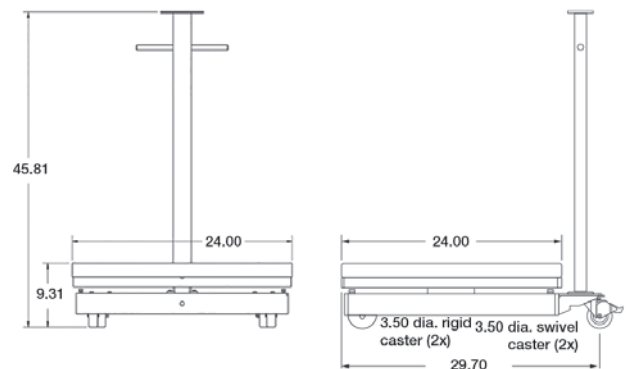
Measurement  
Canada  
Approved

## Part Number/Price

Part #	Capacity	Platform Dimensions	Est. Weight	Price
<b>Wheel Model</b>				
97072	250 lb (125 kg)	24 × 24 × 8.75 in	275 lb	\$2,695.00
97073	500 lb (225 kg)	24 × 24 × 8.75 in	275 lb	\$2,695.00
<b>Caster Model</b>				
97074	250 lb (125 kg)	24 × 24 × 9.31 in	290 lb	\$2,695.00
97075	500 lb (225 kg)	24 × 24 × 9.31 in	290 lb	\$2,695.00



Wheel Model



Caster Model



## Approvals



Measurement  
Canada  
Approved

## Part Number/Price

Part #	Description	Capacity	Est. Weight	Price
115125	RPL-6S	6.00 × 0.002 lb	15 lb (6.3 kg)	\$500.00
115128	RPL-15S	15.00 × 0.005 lb	15 lb (6.3 kg)	\$500.00
115129	RPL-30S	30.00 × 0.01 lb	15 lb (6.3 kg)	\$500.00
115130	RPL-60S	60.00 × 0.02 lb	15 lb (6.3 kg)	\$500.00

## Options/Accessories

Part #	Description	Price
108516	Rechargeable battery	\$50.00
108518	AC adapter 110-230 VAC, U.S. plug	\$50.00
129953	AC adapter, 110-230 VAC, Euro plug	\$55.00
115519	Additional operator guide	\$10.00

## Standard Features

- Compact and easy to use
- IP68 water and dust resistant
- Stainless steel finish
- Removable weigh pan for quick and easy cleaning
- LED display
- AC adapter included
- Legal for Trade
- HACCP compliant

## Options

- Rechargeable battery

## Specifications

### Display:

LED, six-digit

### Capacity:

	Pound	Gram	Ounce
RPL-6S	6.0 × 0.002 lb	3,000 × 1 g	60.0 × 0.02 oz
RPL-15S	15.0 × 0.005 lb	6,000 × 2 g	150.0 × 0.05 oz
RPL-30S	30.0 × 0.01 lb	15,000 × 5 g	300.0 × 0.1 oz
RPL-60S	60.0 × 0.02 lb	30,000 × 10 g	600.0 × 0.2 oz

### Annunciators:

Ounces, grams, pounds, net, center of zero, battery usage

### Keyboard:

Rezero, tare, on/off, unit

### Resolution:

Internal: 90,000 count

Display: 3,000

### Humidity:

15 to 85% RH

### Temperature:

Operating: 14 °F to 104 °F (-10 °C to 40 °C)

### Power Consumption:

18 W when using DC power, 3 W when using rechargeable battery

### Power Source:

AC 117/100 V, 240/230/220 V

DC 12 V/1.5 A, DC 6 V 5 Ah optional rechargeable battery

### Optional Battery:

60 hours of continuous usage

### Calibration:

RPL-S: Grams

### Overall Dimensions:

(L × W × H)

11.4 × 9.9 × 5.3 in

(290 × 252 × 135 mm)

### Package Size:

(L × W × H)

14.8 × 13.3 × 9.6 in

(377 × 337 × 245 mm)

### Platter Size:

9.3 × 7.8 in

(237 × 198.0 mm)

### Warranty:

One-year limited

### Approvals:

NTEP 10-068, Class III 3,000 d

Measurement Canada AM-5794

# IGS-381

Industrial General Scale with 381 Indicator Package

BENCH SCALES



## Approvals



Measurement  
Canada  
Approved

## Industrial General Scale with 381 Indicator Package

Part #	Capacity	Platform Dimensions (L x W x H)	Est. Weight	Price
<b>With Column (AA Battery Powered)</b>				
232166	150 x 0.05 lb	21.13 x 17.25 x 5.42 in	50 lb	Consult
232164	300 x 0.1 lb	21.13 x 17.25 x 5.42 in	50 lb	Consult
<b>With Column (NiMH Battery Powered)</b>				
232697	150 x 0.05 lb	21.13 x 17.25 x 5.42 in	50 lb	Consult
232696	300 x 0.1 lb	21.13 x 17.25 x 5.42 in	50 lb	Consult
<b>With Side Mount Indicator (AA Battery Powered)</b>				
232167	150 x 0.05 lb	21.13 x 17.25 x 5.42 in	47 lb	Consult
232165	300 x 0.1 lb	21.13 x 17.25 x 5.42 in	47 lb	Consult
<b>With Side Mount (NiMH Battery Powered)</b>				
232699	150 x 0.05 lb	21.13 x 17.25 x 5.42 in	47 lb	Consult
232695	300 x 0.1 lb	21.13 x 17.25 x 5.42 in	47 lb	Consult

## Standard Features

- LCD display
- Battery powered
- Push-button and keyed tare
- Two communication ports
- Five tactile buttons
- Configurable print formats
- ABS enclosure

## Specifications

### Load Cell:

RL26018A Anodized aluminum  
NTEP Certified

### Scale Construction:

Painted die cast aluminum frame  
with 304 stainless steel cover

### Maximum Overload:

150% to 200% depending on capacity

### Compensated Temperature Range:

14 °F to 104 °F (-10 °C to 40 °C)

### Power:

Battery: AA or Nickel Metal Hydride (NiMH)  
381-2D-AA Adapter: 115/230 VAC to 12 VDC  
381-2D-NiMH Charger: 115/230 VAC

### Battery Life:

AA: 40 hours with 1 x 350 ohm load cell  
NiMH: 80 hours with 1 x 350 ohm load cell

### Communication:

One full-duplex RS-232  
One USB 2.0

### Annunciators:

g, lb, t, tn, kg, oz, battery level, PT, LT, gross, zero,  
unstable, net

### Display:

Six 1 in (25 mm) tall, LCD digits

### Keys/Buttons:

5 tactile buttons

### Temperature:

Certified: 14 °F to 104 °F (-10 °C to 40 °C)  
Operating: 14 °F to 122 °F (-10 °C to 50 °C)

### Warranty:

Two-year limited

### Approvals:

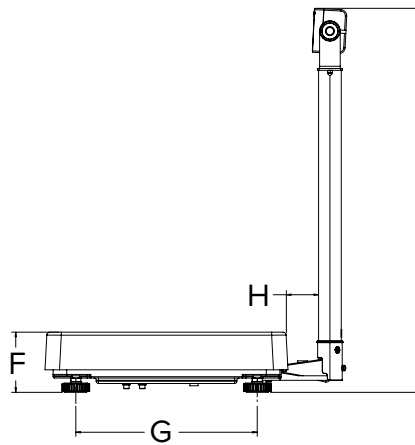
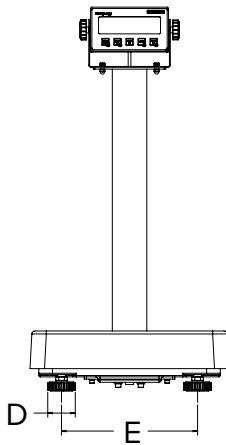
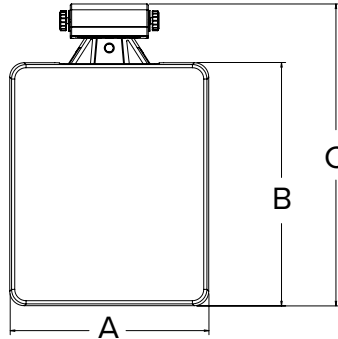
NTEP  
Measurement Canada

## Dimensions

### With Column

A	17.25 in (439 mm)	F	5.22 in (133 mm)
B	21.13 in (537 mm)	G	15.75 in (400 mm)
C	26.21 in (666 mm)	H	2.80 in (71 mm)
D	∅2.39 in (61 mm)	I	33.33 in (847 mm)
E	11.81 in (300 mm)		

Note: 1 in = 25.4 mm

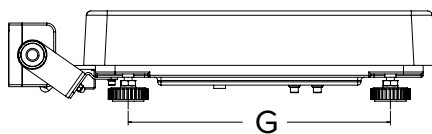
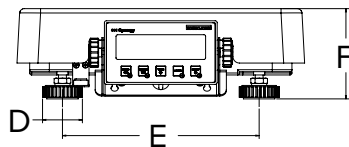
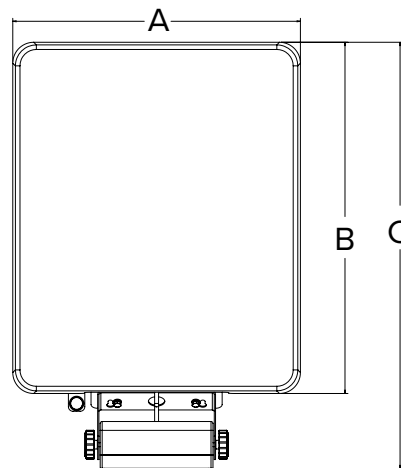


## Dimensions

### With Side Mount Indicator

A	17.25 in (439 mm)	E	11.81 in (300 mm)
B	21.13 in (537 mm)	F	5.42 in (138 mm)
C	25.60 in (650 mm)	G	15.75 in (400 mm)
D	∅2.39 in (61 mm)		

Note: 1 in = 25.4 mm



# BenchPro™ BP-P

Digital Postal Scale

BENCH SCALES



## Standard Features

- Simple operation, easy to set up
- Large six-digit backlight LCD display with 1-inch (29 mm) characters protected by heavy-duty tempered glass
- Powered USB HID point of sale interface, kg model only
- Nine-pin RS-232 interface for use with SMA and NCI protocols
- Four AA alkaline battery operation for portability
- Gravitational compensation allows for adjustment of factory calibration to meet your local gravity setting, non-approved

## Specifications

- Power:**  
In-line power supply (included)
- Input:**  
100 to 240 VAC, +10% -15%, 3-wire w/ground  
Terminated with standard USA 3-prong plug
- Output:**  
12 V at 0.1 Amps DC minimum
- Frequency:**  
50/60 Hz ± 3 Hz
- Power supply approvals:**  
UL, CE, EN, CUL
- Battery Type:**  
Four AA alkaline batteries, 6 V,  
with low battery indication at 4.3 volts
- Battery Life:**  
50 to 250 hrs depending on backlight and auto-shutdown settings

## Approvals



## Part Number/Price

Part #	Platform Capacity	Dimensions	Est. Weight	Price
187832	35 kg triple range	12 × 14 in	18 lb	\$775.00
195741	35 kg triple interval	12 × 14 in	18 lb	\$775.00
192361	70 lb dual range	12 × 14 in	18 lb	\$775.00
195742	70 lb dual interval	12 × 14 in	18 lb	\$775.00

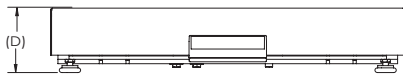
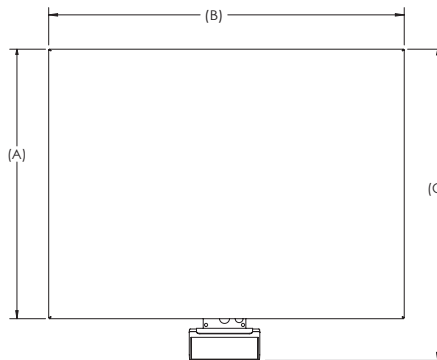
## Options/Accessories

Part #	Description	Est. Weight	Price
174783	Column bracket and post (12 × 14 scale only)	2 lb	\$50.00
180901	Second customer display, BenchPro BP-P no keyboard with 68 in cable	4 lb	\$72.00
174784	Second remote operator display, BenchPro BP-P with 68 in cable	4 lb	\$88.00
183103	16 in (H) tabletop display post for use with second display, customer or remote operator	4 lb	\$215.00
178501	USB RS-232 serial adapter 3.28 ft cable	1 lb	\$60.00

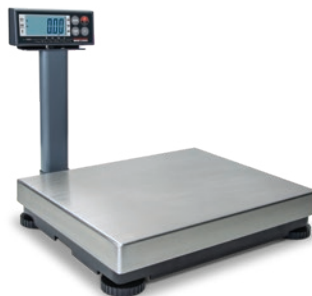
## Dimensions

BenchPro BP-P			
A	12.00 in	C	14.50 in
B	14.00 in	D	2.70 in

Note: 1 in = 25.4 mm



BP-P shown with 183103 and 180901



Shown with 174783

- Excitation:**  
3.0 mV/V
- Resolution:**  
Internal: 500,000 counts
- USB HID:**  
USB 2.0 full speed; Vendor ID: 1C19;  
Product ID: 0002
- Divisions (multi-range):**  
**kg triple range:**  
 0 to 5 kg × 0.001 kg  
 0 to 10 kg × 0.002 kg  
 0 to 35 kg × 0.01 kg  
**lb/oz dual range:**  
 0 to 7 lb × 0.05 oz  
 0 to 70 lb × 0.2 oz
- Divisions (Multi-interval):**  
**kg triple interval:**  
 0 to 5 kg × 0.001 kg  
 5 to 10 kg × 0.002 kg  
 10 to 35 kg × 0.01 kg  
**Lb/oz dual interval:**  
 0 to 7 lb × 0.05 oz  
 7 to 70 lb × 0.2 oz
- Material:**  
 Display: ABS plastic housing  
 Scale base: Die-cast aluminum load bridge and base housing with stainless steel weight platter
- Dynamic Response:**  
 Response time for stable weight:  
 0 to 1,000 d, 1,000 ms, maximum mean average  
 1,000 d +, 1,500 ms, maximum mean average
- Overload Protection:**  
 Corner and center overload protection
- Display:**  
 Large six-digit backlight LCD display with 1-inch (29 mm) characters protected by heavy-duty tempered glass
- Annunciators:**  
 Six: zero, gross/brutto, net, W1/W2/W3 multi-range
- Keys/Buttons:**  
 Three: units, on/off, F1  
 (Tare is not applicable)  
 Minimum key press life of 500,000 cycles
- RS-232 Cable (Included):**  
 10 ft DB 9-pin male to female, straight pass-through
- USB Cable (Included):**  
 46 in (1,168 mm) A/B type USB cable
- Warranty:**  
 Two-year limited
- Approvals:**  
 NTEP 17-002  
 Canada Weights and Measures: AM-6050  
 CE Marked

# BenchPro™ BP-S

Digital Shipping Scale

BENCH SCALES



## Approvals



Measurement  
Canada  
Approved



## Part Number/Price

Part #	Platform Capacity	Dimensions	Est. Weight	Price
174879*	150 × 0.05 lb (75 × 0.02 kg)	12 × 14 in	17 lb	\$775.00
182993	150 × 0.05 lb (75 × 0.02 kg)	12 × 16 in	31 lb	\$1,285.00
182391	100 × 0.02 lb (50 × 0.01 kg)	18 × 18 in	63 lb	\$1,740.00
182378	150 × 0.05 lb (75 × 0.02 kg)	18 × 18 in	63 lb	\$1,740.00
182382	300 × 0.1 lb (150 × 0.05 kg)	18 × 18 in	63 lb	\$1,740.00
182395	300 × 0.1 lb (150 × 0.05 kg)	20 × 20 in	76 lb	\$1,950.00
182399	300 × 0.1 lb (150 × 0.05 kg)	24 × 24 in	131 lb	\$2,150.00

\* Battery or DC power

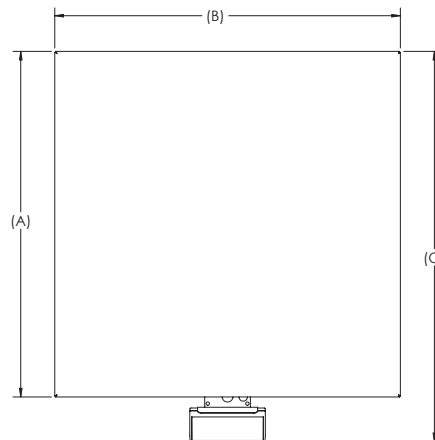
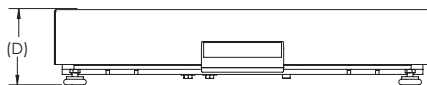
## Options/Accessories

Part #	Description	Est. Weight	Price
174783	Column bracket and post (12 × 14 scale only)	2 lb	\$50.00
180901	Second customer display, BenchPro BP-S no keyboard with 68 in cable	4 lb	\$72.00
174784	Second remote operator display, BenchPro BP-S with 68 in cable	4 lb	\$88.00
183103	16 in (H) tabletop display post for use with second display, customer or remote operator	4 lb	\$215.00
178501	USB RS-232 serial adapter	1 lb	\$60.00

## Dimensions

	A	B	C	D
12 × 14 in	12.00 in	14.00 in	14.50 in	2.70 in
12 × 16 in	12.00 in	16.00 in	15.30 in	4.32 in
18 × 18 in	18.00 in	18.00 in	21.10 in	4.30 in
20 × 20 in	20.00 in	20.00 in	23.10 in	4.30 in
24 × 24 in	24.00 in	24.00 in	27.10 in	4.30 in

Note: 1 in = 25.4 mm



## Standard Features

- Simple operation, easy to set up
- Large six-digit backlight LCD display with 1-inch (29 mm) characters protected by heavy-duty tempered glass
- Powered USB HID point of sale interface
- Nine-pin RS-232 interface for use with SMA and NCI protocols
- Four AA alkaline battery operation for portability
- Gravitational compensation allows for adjustment of factory calibration to meet your local gravity setting, non-approved
- Compatible with FedEx Ship Manager® and UPS Worldship®

## Specifications

### Power:

In-line power supply (included)

### Input:

100 to 240 VAC, +10% -15%, 3-wire w/ground  
Terminated with standard USA 3-prong plug

### Battery:

(12 × 14 in scale only)  
Four AA alkaline batteries,  
6 V, with low battery indication at 4.3 volts

### Power Consumption:

12 V at 0.1 amps DC minimum

### Frequency:

50/60 Hz ± 3 Hz

### Battery Life:

50 to 250 hrs depending on backlight and auto-shutdown settings

### Excitation:

3.0 V

### Resolution:

Internal: 500,000 counts

### USB HID:

USB 2.0 full speed; Vendor ID: 1C19;  
Product ID: 0002

### RS-232 Cable (Included):

10 ft DB 9-pin male to female, straight pass-through

### USB Cable (Included):

46 in (1,168 mm) A/B type USB cable

### Dynamic Response:

Response time for stable weight:  
0 to 1,000 d, 1,000 ms, maximum mean average  
1,000 d ±, 1,500 ms, maximum mean average

### Overload Protection:

Corner and center overload protection

### Annunciators:

Six: Zero, Gross/Brutto, Net, W1/W2/W3 multi-range

### Display:

Large six-digit backlight LCD display with 1-inch (25.4 mm) characters protected by heavy-duty tempered glass

### Keys/Buttons:

Four: units, tare, on/off, F1  
Minimum key press life of 500,000 cycles

### Material:

Display: ABS plastic housing  
Scale base: Powder coat painted mild steel base plate and load bridge with stainless steel weight platter  
BP-S 12 × 14 in: Die-cast aluminum load bridge and base housing with stainless steel weight platter

### Warranty:

Two-year limited

### Approvals:

NTEP 17-002  
Canada Weights and Measures: AM-6050  
CE Marked

# BenchPro™ BP-SB

Ball Top Digital Shipping Scale

BENCH SCALES



## Approvals



## Part Number/Price

Part #	Capacity	Dimensions	Est. Weight	Price
182995	150 × 0.05 lb (75 × 0.02 kg)	12 × 16 in	37 lb	\$1,545.00
182393	100 × 0.02 lb (50 × 0.01 kg)	18 × 18 in	73 lb	\$2,140.00
182380	150 × 0.05 lb (75 × 0.02 kg)	18 × 18 in	73 lb	\$2,140.00
182384	300 × 0.1 lb (150 × 0.05 kg)	18 × 18 in	73 lb	\$2,140.00
182397	300 × 0.1 lb (150 × 0.05 kg)	20 × 20 in	88 lb	\$2,375.00
182401	300 × 0.1 lb (150 × 0.05 kg)	24 × 24 in	131 lb	\$2,615.00

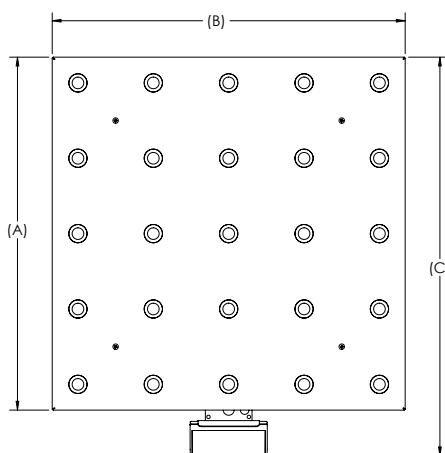
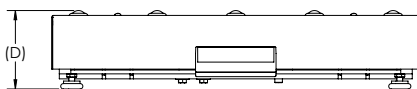
## Options/Accessories

Part #	Description	Est. Weight	Price
180901	Second customer display, BenchPro BP-SB no keyboard with 68 in cable	4 lb	\$72.00
174784	Second remote operator display, BenchPro BP-SB with 68 in cable	4 lb	\$88.00
183103	16 in (H) tabletop display post for use with second display, customer or remote operator	4 lb	\$215.00
178501	USB RS-232 serial adapter	1 lb	\$60.00

## Dimensions

	A	B	C	D
12 × 16 in	12.00 in	16.00 in	15.30 in	4.32 in
18 × 18 in	18.00 in	18.00 in	21.10 in	4.86 in
20 × 20 in	20.00 in	20.00 in	23.10 in	4.86 in
24 × 24 in	24.00 in	24.00 in	27.10 in	4.86 in

Note: 1 in = 25.4 mm



## Standard Features

- Simple operation, easy to set up
- Large six-digit backlight LCD display with 1-inch (29 mm) characters protected by heavy-duty tempered glass
- Powered USB HID point of sale interface
- Nine-pin RS-232 interface for use with SMA and NCI protocols
- Gravitational compensation allows for adjustment of factory calibration to meet your local gravity setting, non-approved
- Compatible with FedEx Ship Manager® and UPS Worldship®

## Specifications

### Power:

In-line power supply (included)

### Input:

100 to 240 VAC, +10% -15%, 3-wire w/ground  
Terminated with standard USA 3-prong plug

### Output:

12 V at 0.1 amps DC minimum

### Frequency:

50/60 Hz ±3 Hz

### Approvals:

UL, CE, EN, CUL

### Excitation:

3.0 mV/V

### Resolution:

Internal: 500,000 counts

### USB HID:

USB 2.0 full speed; Vendor ID: 1C19;  
Product ID: 0002

### RS-232 Cable (Included):

10 ft DB 9-pin male to female, straight pass-through

### USB Cable (Included):

46 in (1,168 mm) A/B type USB cable

### Dynamic Response:

Response time for stable weight:  
0 to 1,000 d, 1,000 ms, maximum mean average  
1,000 d +, 1,500 ms, maximum mean average

### Overload Protection:

Corner and center overload protection

### Annunciators:

Six: zero, gross/brutto, net, W1/W2/W3 multi-range

### Display:

Large six-digit backlight LCD display with 1-inch (25.4 mm) characters protected by heavy-duty tempered glass

### Keys/Buttons:

Four: units, tare, on/off, F1  
Minimum key press life of 500,000 cycles

### Material:

Display: A BS plastic housing  
Scale base: Powder coat painted mild steel base plate and load bridge. Carbon steel ball with carbon steel zinc-plated housing. Stainless steel shroud.

### Warranty:

Two-year limited

### Approvals:

NTEP 17-002  
Canada Weights and Measures: AM - 6050  
CE Marked

# BenchPro™ BP-SR

## Roller Top Digital Shipping Scale

BENCH SCALES



### Approvals



Measurement  
Canada  
Approved



### Part Number/Price

Part #	Platform Capacity	Dimensions	Est. Weight	Price
182996	150 × 0.05 lb (75 × 0.02 kg)	12 × 16 in	41 lb	\$1,460.00
182394	100 × 0.02 lb (50 × 0.01 kg)	18 × 18 in	77 lb	\$1,925.00
182381	150 × 0.05 lb (75 × 0.02 kg)	18 × 18 in	77 lb	\$1,925.00
182386	300 × 0.1 lb (150 × 0.05 kg)	18 × 18 in	77 lb	\$1,925.00
182398	300 × 0.1 lb (150 × 0.05 kg)	20 × 20 in	94 lb	\$2,065.00
182402	300 × 0.1 lb (150 × 0.05 kg)	24 × 24 in	131 lb	\$2,265.00

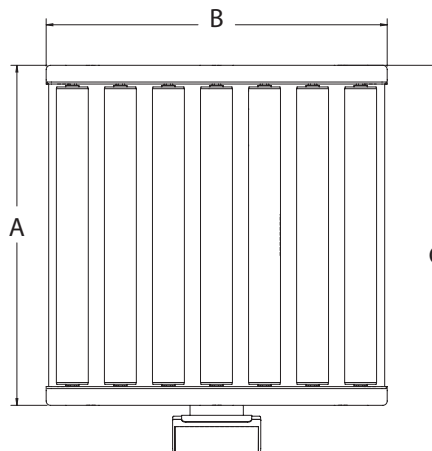
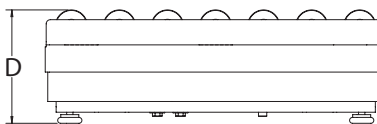
### Options/Accessories

Part #	Description	Est. Weight	Price
180901	Second customer display, BenchPro BP-SR no keyboard with 68 in cable	4 lb	\$72.00
174784	Second remote operator display, BenchPro BP-SR with 68 in cable	4 lb	\$88.00
183103	16 in (H) tabletop display post for use with second display, customer or remote operator	4 lb	\$215.00
178501	USB RS-232 serial adapter	1 lb	\$60.00

### Dimensions

	A	B	C	D
12 × 16 in	12.00 in	16.00 in	15.30 in	5.95 in
18 × 18 in	18.00 in	18.00 in	21.10 in	6.50 in
20 × 20 in	20.00 in	20.00 in	23.10 in	6.50 in
24 × 24 in	24.00 in	24.00 in	27.10 in	6.50 in

Note: 1 in = 25.4 mm



### Standard Features

- Simple operation, easy to set up
- Large six-digit backlight LCD display with 1-inch (25.4-mm) characters protected by heavy-duty tempered glass
- Powered USB HID point of sale interface
- Nine-pin RS-232 interface for use with SMA and NCI protocols
- Gravitational compensation allows for adjustment of factory calibration to meet your local gravity setting, non-approved
- Compatible with FedEx Ship Manager® and UPS Worldship®

### Specifications

#### Power:

In-line power supply (included)

#### Input:

100 to 240 VAC, +10% -15%, 3-wire w/ground  
Terminated with standard USA 3-prong plug

#### Output:

12 V at 0.1 Amps DC minimum

#### Frequency:

50/60 Hz ± 3 Hz, standard

#### Approvals:

UL, CE, EN, CUL

#### Excitation:

3.0 mV/V

#### Resolution:

Internal: 500,000 counts

#### USB HID:

USB 2.0 full speed; Vendor ID: 1C19;  
Product ID: 0002

#### RS-232 Cable (Included):

10 ft DB 9-pin male to female, straight pass-through

#### USB Cable (Included):

46 in (1,168 mm) A/B type USB cable

#### Dynamic Response:

Response time for stable weight:  
0 to 1,000 d, 1,000 ms, maximum mean average  
1,000 d +, 1,500 ms, maximum mean average

#### Overload Protection:

Corner and center overload protection

#### Annunciators:

Six: zero, gross/brutto, net, W1/W2/W3 multi-range

#### Display:

Large six-digit backlight LCD display with 1-inch (25.4 mm) characters protected by heavy-duty tempered glass

#### Keys/Buttons:

Four: units, tare, on/off, F1  
Minimum key press life of 500,000 cycles

#### Material:

Display: ABS plastic housing  
Scale base: Powder coat painted mild steel  
base plate and load bridge with galvanized  
roller conveyor

#### Warranty:

Two-year limited

#### Approvals:

NTEP 17-002  
Canada Weights and Measures: AM-6050  
CE Marked

# BenchMark® MSC-10

Mobile Scale Cart

BENCH SCALES



## Standard Features

- Two swivel, locking casters and two rigid casters
- Adjustable height with telescoping tube designed legs
- 18-inch indicator stand for mounting CW-90/90X, 680/682 Synergy, 380/380X Synergy

## Specifications

**Capacity:**  
1,000 lb (500 kg) maximum

**Warranty:**  
One-year limited

## Part Number/Price

Part #	Description	Cart Dimensions (L × W × H)	Est. Weight	Price
<b>Mild Steel</b>				
190201	Designed for 12 × 18 in Benchmark MS scale	25 × 14 × 41.89 to 51.89 in (22.78 to 32.78 in*)	70 lb	\$1,400.00
190202	Designed for 18 × 18 in Benchmark MS scale	25 × 20 × 41.89 to 51.89 in (22.78 to 32.78 in*)	83 lb	\$1,435.00
190203	Designed for 18 × 24 in Benchmark MS scale	31 × 20 × 41.89 to 51.89 in (22.78 to 32.78 in*)	93 lb	\$1,470.00
190204	Designed for 24 × 24 in Benchmark MS scale	31 × 26 × 41.89 to 51.89 in (22.78 to 32.78 in*)	101 lb	\$1,500.00
<b>Stainless Steel</b>				
190205	Designed for 12 × 18 in Benchmark SS and Benchmark HE scale	25 × 14 × 41.89 to 51.89 in (22.78 to 32.78 in*)	70 lb	\$1,755.00
190206	Designed for 18 × 18 in Benchmark SS and Benchmark HE scale	25 × 20 × 41.89 to 51.89 in (22.78 to 32.78 in*)	83 lb	\$1,805.00
190207	Designed for 18 × 24 in Benchmark SS and Benchmark HE scale	31 × 20 × 41.89 to 51.89 in (22.78 to 32.78 in*)	93 lb	\$1,855.00
190209	Designed for 24 × 24 in Benchmark SS and Benchmark HE scale	31 × 26 × 41.89 to 51.89 in (22.78 to 32.78 in*)	101 lb	\$1,905.00

\*Height of cart without indicator stand

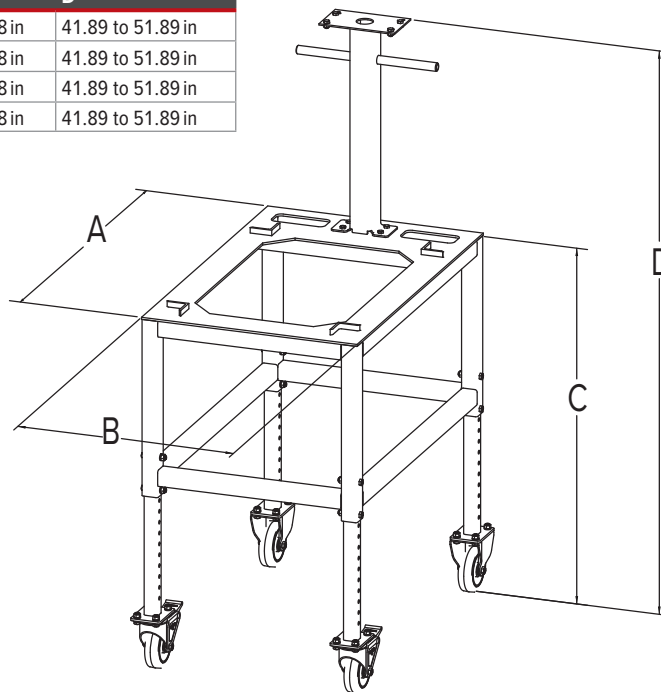
Wheels on standard carts are not conductive. If the end user plans to use the cart with an IS indicator, they will need a custom cart quoted with conductive wheels.

Cart not compatible with HE-X. See MSC-40.

## Dimensions

	A	B	C	D
Designed for 12 × 18 in scale	25.00 in	14.00 in	22.78 to 32.78 in	41.89 to 51.89 in
Designed for 18 × 18 in scale	25.00 in	20.00 in	22.78 to 32.78 in	41.89 to 51.89 in
Designed for 18 × 24 in scale	31.00 in	20.00 in	22.78 to 32.78 in	41.89 to 51.89 in
Designed for 24 × 24 in scale	31.00 in	26.00 in	22.78 to 32.78 in	41.89 to 51.89 in

Note: 1 in = 25.4 mm



# BenchMark® MSC-20

Mobile Scale Cart

BENCH SCALES



## Standard Features

- Two swivel, locking casters and two rigid casters
- Designed to easily transport counting scale and secondary scale

## Specifications

### Capacity:

Lower base frame: 1,000 lb (500 kg) maximum  
Upper base frame: 50 lb (25 kg) maximum

### Warranty:

One-year limited

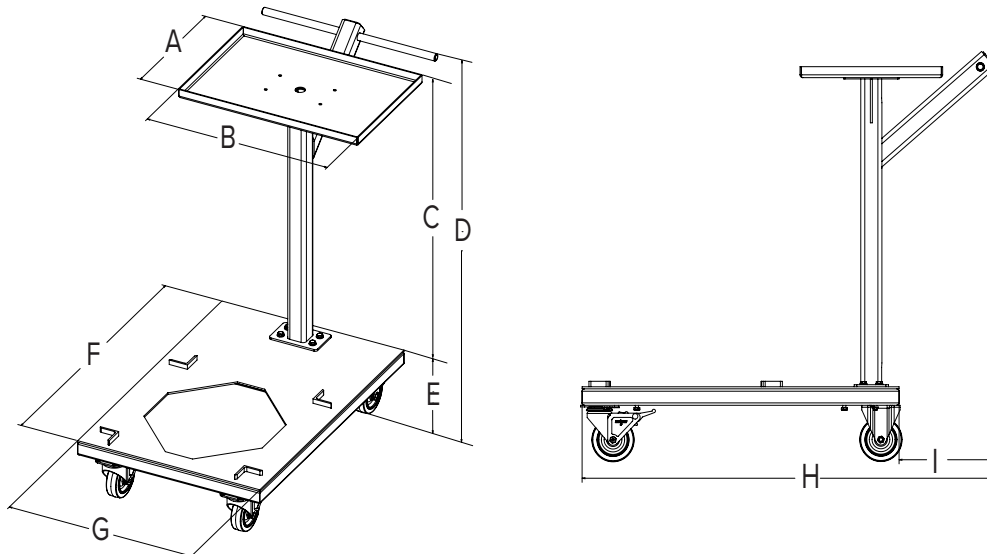
## Part Number/Price

Part #	Description	Est. Weight	Price
<b>Mild Steel</b>			
197502	Designed for 12 × 18 in Benchmark MS scale	85 lb	\$1,495.00
197503	Designed for 18 × 18 in Benchmark MS scale	85 lb	\$1,520.00
197504	Designed for 18 × 24 in Benchmark MS scale	88 lb	\$1,545.00
197505	Designed for 24 × 24 in Benchmark MS scale	96 lb	\$1,570.00
<b>Stainless Steel</b>			
197506	Designed for 12 × 18 in Benchmark SS and Benchmark HE scale	90 lb	\$2,125.00
197507	Designed for 18 × 18 in Benchmark SS and Benchmark HE scale	90 lb	\$2,145.00
197508	Designed for 18 × 24 in Benchmark SS and Benchmark HE scale	93 lb	\$2,170.00
197509	Designed for 24 × 24 in Benchmark SS and Benchmark HE scale	101 lb	\$2,200.00

## Dimensions

	A	B	C	D	E	F	G	H	I
Designed for 12 × 18 in scale	19.50 in	13.25 in	29.18 in	36.00 in	6.81 in	30.00 in	20.00 in	39.00 in	9.00 in
Designed for 18 × 18 in scale	19.50 in	13.25 in	29.18 in	36.00 in	6.81 in	30.00 in	20.00 in	39.00 in	9.00 in
Designed for 18 × 24 in scale	19.50 in	13.25 in	29.18 in	36.00 in	6.81 in	35.00 in	20.00 in	44.00 in	9.00 in
Designed for 24 × 24 in scale	19.50 in	13.25 in	29.18 in	36.00 in	6.81 in	35.00 in	26.00 in	44.00 in	9.00 in

Note: 1 in = 25.4 mm



# BenchMark® MSC-30

Mobile Scale Cart

BENCH SCALES



## Standard Features

- Two swivel, locking casters and two rigid casters
- Indicator stand for mounting CW-90/90X, 680/682 Synergy, 380/380X Synergy

## Specifications

**Capacity:**  
1,000 lb (500 kg) maximum

**Warranty:**  
One-year limited

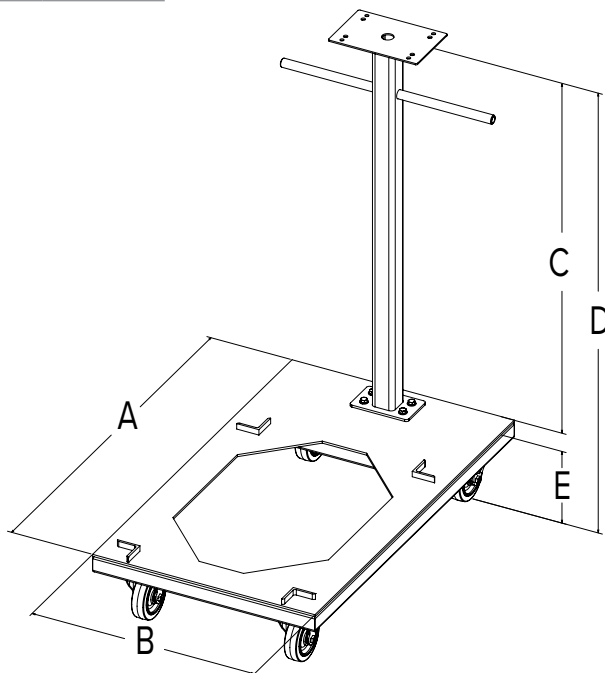
## Part Number/Price

Part #	Description	Est. Weight	Price
<b>Mild Steel</b>			
197510	Designed for 12 × 18 Benchmark MS scale	67 lb	\$1,495.00
197511	Designed for 18 × 18 Benchmark MS scale	67 lb	\$1,520.00
197512	Designed for 18 × 24 Benchmark MS scale	70 lb	\$1,545.00
197513	Designed for 24 × 24 Benchmark MS scale	78 lb	\$1,570.00
<b>Stainless Steel</b>			
197514	Designed for 12 × 18 Benchmark SS and Benchmark HE scale	72 lb	\$2,125.00
197515	Designed for 18 × 18 Benchmark SS and Benchmark HE scale	72 lb	\$2,145.00
197516	Designed for 18 × 24 Benchmark SS and Benchmark HE scale	75 lb	\$2,170.00
197517	Designed for 24 × 24 Benchmark SS and Benchmark HE scale	83 lb	\$2,200.00

## Dimensions

	A	B	C	D	E
Designed for 12 × 18 scale	30.00 in	20.00 in	34.25 in	41.00 in	6.81 in
Designed for 18 × 18 scale	30.00 in	20.00 in	34.25 in	41.00 in	6.81 in
Designed for 18 × 24 scale	35.00 in	20.00 in	34.25 in	41.00 in	6.81 in
Designed for 24 × 24 scale	35.00 in	26.00 in	34.25 in	41.00 in	6.81 in

Note: 1 in = 25.4 mm



# BenchMark<sup>®</sup> MSC-40

Mobile Scale Cart

BENCH SCALES



## Standard Features

- Two swivel, locking casters and two rigid casters
- Rugged washdown design meets Sanitary Design Principles

## Specifications

**Capacity:**  
1,000 lb (500 kg) maximum

**Warranty:**  
One-year limited

## Part Number/Price

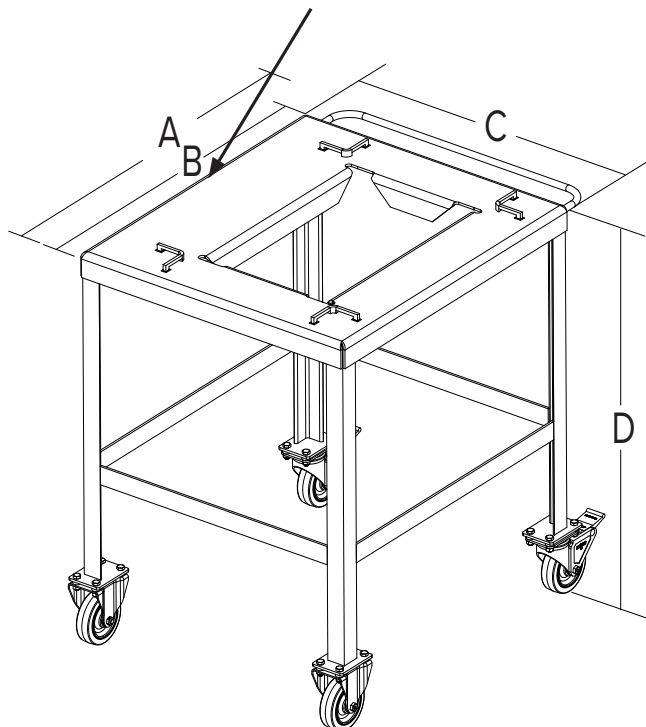
Part #	Description	Est. Weight	Price
<b>Stainless Steel</b>			
197518	Designed for 12 × 18 in Benchmark HE-X scale	62 lb	\$1,975.00
197519	Designed for 18 × 18 in Benchmark HE-X scale	62 lb	\$2,085.00
197520	Designed for 18 × 24 in Benchmark HE-X scale	69 lb	\$2,195.00
197521	Designed for 24 × 24 in Benchmark HE-X scale	79 lb	\$2,305.00

## Dimensions

	A	B	C	D
Designed for 12 × 18 in scale	24.75 in	21.00 in	17.88 in	32.00 in
Designed for 18 × 18 in scale	24.75 in	21.00 in	24.00 in	32.00 in
Designed for 18 × 24 in scale	30.75 in	27.00 in	24.00 in	32.00 in
Designed for 24 × 24 in scale	30.75 in	27.00 in	30.00 in	32.00 in

Note: 1 in = 25.4 mm

Note: This side of cart is larger to accommodate BenchMark HE-X with indicator column



# Bench Scale Ball Transfer and Roller Conveyor

1. Rice Lake Weighing Systems model number or part number of bench scale \_\_\_\_\_
2. Dimensions of scale: \_\_\_\_\_ in L × \_\_\_\_\_ in W
3. Capacity of scale: \_\_\_\_\_ lb
4. Dimensions of the smallest box/container to be used with the scale: \_\_\_\_\_ in L × \_\_\_\_\_ in W

## Ball Transfer

5. Construction of ball transfer
  - Steel ball, steel housing zinc finish
  - Stainless steel ball, steel housing zinc finish
  - Stainless steel ball, stainless steel housing
6. Center-to-center ball dimension, if known:



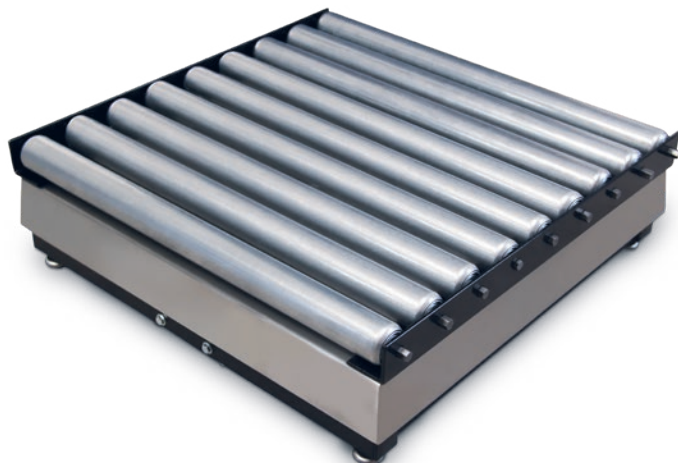
## Ball Transfer with Shroud

5. Construction of ball transfer
  - Steel ball, steel housing zinc finish
  - Stainless steel ball, stainless steel housing
6. Center-to-center ball dimension, if known:



## Roller Conveyor

8. Roller diameter, if known:
9. Center-to-center dimension, if known:
10. Construction of rollers
  - Plain steel
  - Galvanized steel
  - Aluminum
  - Stainless steel
7. Direction of roller conveyor, if platform is rectangular shaped (i.e., 18 × 24 in scale, please tell us if the rollers should be 18 in or 24 in long)



# Bench Scale Columns

## Part Number/Price

Part #	Description	Price
112044	12 in column for IQ plus® 210, CW-90, CW-90X, 480/482 Legend Series, 380/380X Synergy Series, 680/682 Synergy Series	\$145.00
112045	18 in column for IQ plus® 210, CW-90, CW-90X, 480/482 Legend Series, 380/380X Synergy Series, 680/682 Synergy Series	\$195.00
196363	12 in column for 882IS/882IS Plus with battery	\$225.00
196364	18 in column for 882IS/882IS Plus with battery	\$275.00
197482	12 in column for 882IS/882IS Plus with power supply (Note: Power supply does not mount to column)	\$165.00
197484	18 in column for 882IS/882IS Plus with power supply (Note: Power supply does not mount to column)	\$215.00
64576	Attachment bracket for IQ plus® 210, CW-90, CW-90X, 480/482 Legend Series, 380/380X Synergy Series, 680/682 Synergy Series	\$100.00
216970	12 in column for 381 Synergy Indicator	\$145.00
216971	18 in column for 381 Synergy Indicator	\$195.00

Available for the BenchMark SL, BenchMark SL/HE, BenchMark Mild Steel, BenchMark Stainless Steel, BenchMark HE, BenchMark HE-X, CW-80B, CW-90B and CW90-XB



CW-90B with 380 indicator and 12 in column



Base with 882IS/882IS Plus indicator with battery and 12 in column



Attachment bracket with 680 Indicator



Base with 381 Synergy indicator and 12 in column

