

Replacement Parts

TABLE OF CONTENTS

MSI-3460 72	MSI-9300 112	Dyna-Clamp 152
<i>Assembly (250 - 10,000lb)</i>	<i>Mid-section Assembly 500 - 10,000lb (S-beam Load Cell)</i>	<i>Display Assembly</i>
MSI-3460 74	MSI-9300 114	Dyna-Clamp 154
<i>Assembly (15,000lb)</i>	<i>Mid-section Assembly 500 - 10,000lb</i>	<i>Rod Assembly</i>
MSI-3460 76	MSI-9300 116	Dyna-Clamp 156
<i>Battery Charger Assembly</i>	<i>Mid-section Assembly 20,000lb and 30,000lb</i>	<i>Front and Back Assembly</i>
MSI-4260B 78	MSI-9300 118	MSI-8000 158
<i>Front Casting Assembly</i>	<i>Mid-section Assembly 50,000lb and 70,000lb</i>	<i>Remote Display</i>
MSI-4260B 80	MSI-9300 120	MSI-8000HD 160
<i>Mid-Section Assembly (S-Beam Load Cell) (500-10,000)</i>	<i>Battery Casting Assembly</i>	<i>Final Assembly Remote Display</i>
MSI-4260B 82	MSI-9300 122	MSI-8004HD 162
<i>Mid-Section Assembly (20,000-30,000)</i>	<i>Universal Battery Charger</i>	<i>Indicator AC</i>
MSI-4260B 84	MSI-9600HT 124	MSI-8004HD 164
<i>Mid-Section Assembly (50,000-70,000)</i>	<i>Front Casting Assembly</i>	<i>Optional Kit Tilt Stand</i>
MSI-4260B 86	MSI-9600HT 126	MSI-7000HD 166
<i>Battery Casting Assembly</i>	<i>Bulkhead Assembly</i>	<i>4CH 85-265VAC</i>
MSI-4260B 88	MSI-9600HT 128	MSI-7001HD 168
<i>Bulkhead Assembly</i>	<i>Mid-section Assembly 10,000lb</i>	<i>2CH 85-265VAC</i>
MSI-4260M Industrial 90	MSI-9600HT 130	MSI-9750A 170
<i>Front Casting Assembly</i>	<i>Mid-section Assembly 30,000lb</i>	<i>Front Assembly</i>
MSI-4260M Industrial 92	MSI-9600HT 132	MSI-9750A 172
<i>Mid-Section Assembly (500-10,000)</i>	<i>Mid-section Assembly 70,000lb</i>	<i>Back Assembly</i>
MSI-4260M Industrial 94	MSI-9600HT 134	MSI-9850 174
<i>Mid-Section Assembly (20,000-30,000)</i>	<i>Back Assembly</i>	<i>Meter Assembly</i>
MSI-4260M Industrial 96	MSI-6260CS 136	MSI-9850 176
<i>Mid-Section Assembly (50,000-70,000)</i>	<i>Front Casting Assembly</i>	<i>Power Assembly</i>
MSI-4260M Industrial 98	MSI-6260CS 138	MSI-9020 CellScale 178
<i>Battery Casting Assembly</i>	<i>Midsection Assembly (500 - 10,000lb) (S-Beam Load Cells)</i>	MSI-9000 CellScale 180
MSI-4260M Industrial 100	MSI-6260CS 140	MSI-9002 CellScale 182
<i>Bulkhead Assembly</i>	<i>Midsection Assembly (500 - 10,000lb)</i>	<i>Breakout / Summing Box</i>
MSI-4260M Marine 102	MSI-6260CS 142	MSI-6000 Check-Weigh 184
<i>Front Assembly</i>	<i>Midsection Assembly (20 & 30,000lb)</i>	<i>Head Assembly</i>
MSI-4260M Marine 104	MSI-6260CS 144	MSI-6000 Check-Weigh 186
<i>Battery Casting Assembly</i>	<i>Midsection Assembly (50 & 70,000lb)</i>	<i>Base Assembly 6 and 12lb</i>
MSI-4260M Marine 106	MSI-6260CS 146	MSI-6000 Check-Weigh 188
<i>Midsection Assembly</i>	<i>Battery Casting Assembly</i>	<i>Base Assembly 30 to 220lb</i>
MSI-9300 108	MSI-6260CS 148	
<i>Front Casting Assembly</i>	<i>Universal Battery Charger Assembly</i>	
MSI-9300 110	MSI-7300 Dyna-Link 150	
<i>Series Bulkhead Assembly</i>	<i>Standard Assembly</i>	

The following product names, logos, brands and other trademarks featured or referred to within this publication are the property of their respective trademark holders.

MSI-3460

Assembly (250 to 10,000 lb)



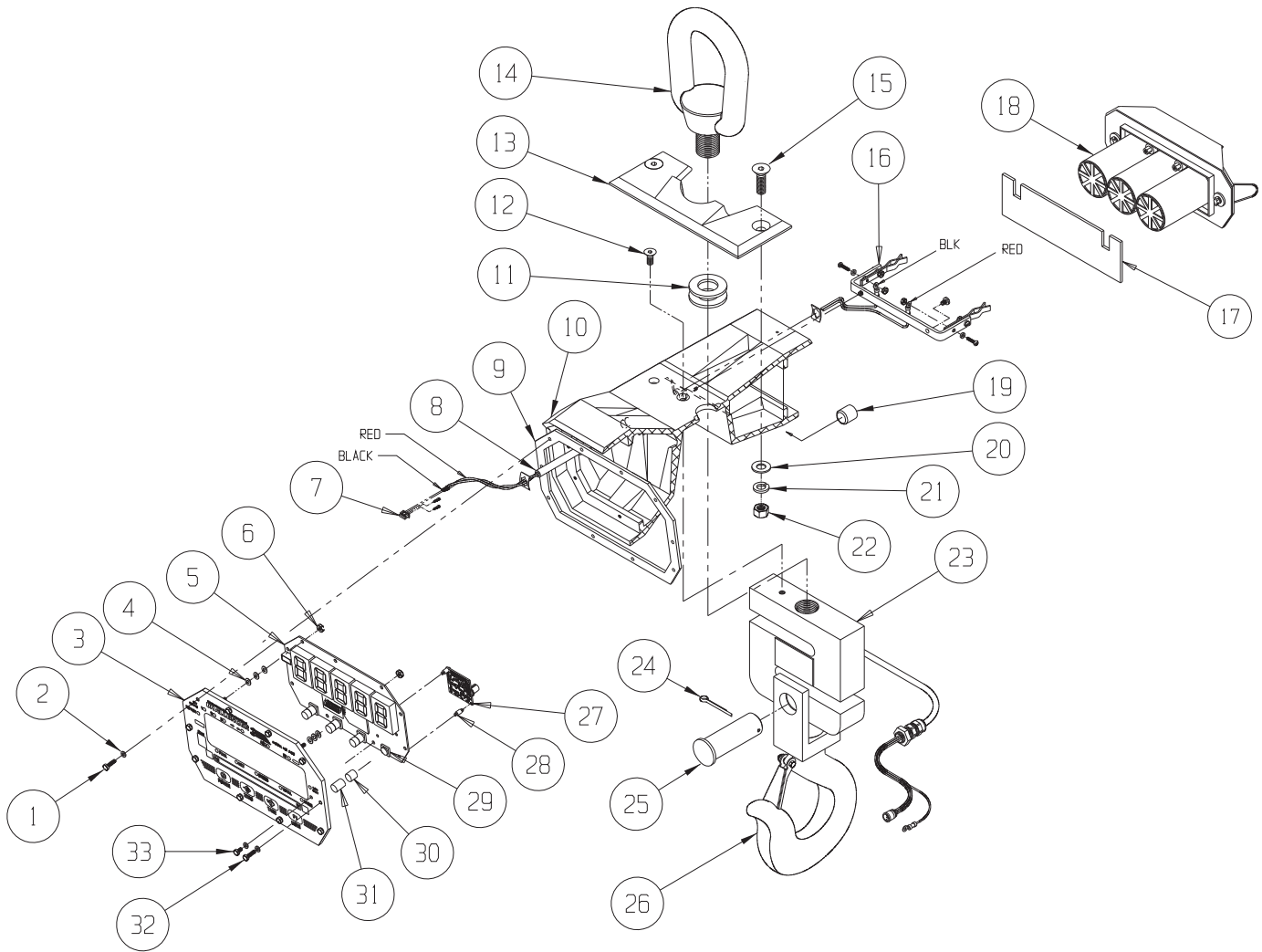
Part Number/Price

Item #	Part #	Description	Price
1	142276	Screw, hex head, 6-32 × 5/8, stainless steel	\$4.00
2	144645	Washer, rubber #6	\$3.00
3	149298	Front panel assembly	\$160.00
4	141899	Washer, flat, #6	\$2.00
5	149279	PCB display	\$275.00
6	128445	Nut, hex, 6-32, stainless steel	\$0.10
7	144178	Connector, power to PCB	\$2.00
8	148347	Tube, power cable	\$23.00
9	150056	Gasket, front panel	\$6.00
10	150398	Casting	\$445.00
11	148177	Washer, foam	\$3.00
12	146120	Screw, flat head, 1/4-20 × 5/8, stainless steel	\$2.00
13	148052	Plate, keeper, 250 to 2,000 lb	\$36.00
13	148050	Plate, keeper, 5,000 to 10,000 lb	\$36.00
14	142030	Eye, lifting, 250 to 2,000 lb	\$65.00
14	135441	Eye, lifting, 5,000 to 10,000 lb	\$140.00
15	146121	Screw, flat head, 3/8-16 × 1-1/4, allen, stainless steel	\$2.00
16	139821	Bracket assembly, battery clip	\$76.00
17	149750	Pad, battery	\$4.00
18	140049	Battery assembly	\$145.00
19	145927	Cap, receptacle	\$2.00
20	146533	Washer, flat, 3/8, stainless steel	\$0.75
21	15160	Washer, split lock, 3/8, stainless steel	\$1.10
22	126992	Nut, hex, 3/8-16, stainless steel	\$2.00
23	139081	Load cell assembly, 250/500 lb	\$1,040.00
23	139081	Load cell assembly, 1,000/2,000 lb	\$1,040.00
23	139082	Load cell assembly, 5,000/10,000 lb	\$925.00
24	145944	Pin, cotter, (fits 11205 clevis pin)	\$2.00
24	15258	Pin, cotter, (fits 11206 clevis pin)	\$3.30
25	142594	Pin, clevis (fits C00524-0009 hook)	\$4.00
25	142595	Pin, clevis (fits C00524-0010 hook)	\$18.00
26	140079	Hook/clevis assembly, 250 to 2,000 lb	\$330.00
	143232	Latch, safety (fits C00524-0009)	\$18.00
26	140080	Hook/clevis assembly, 5,000 to 10,000 lb	\$760.00
	143233	Latch, safety (fits C00524-0010)	\$40.00
27	153429	PCA, with turch insert	\$265.00
28	144929	Spacer, dual locking	\$6.00
29	143816	Switch	Consult
30	144643	Cap, switch .364, orange	\$2.00
31	144644	Cap, switch .236	\$2.00
32	142573	Screw, hex head, 6-32 × 5/8, stainless steel , drilled	\$4.00
33	142574	Screw, hex head, 6-32 × 1/4, stainless steel	\$4.00

REPLACEMENT PARTS

MSI-3460

Assembly (250 to 10,000 lb)



REPLACEMENT PARTS

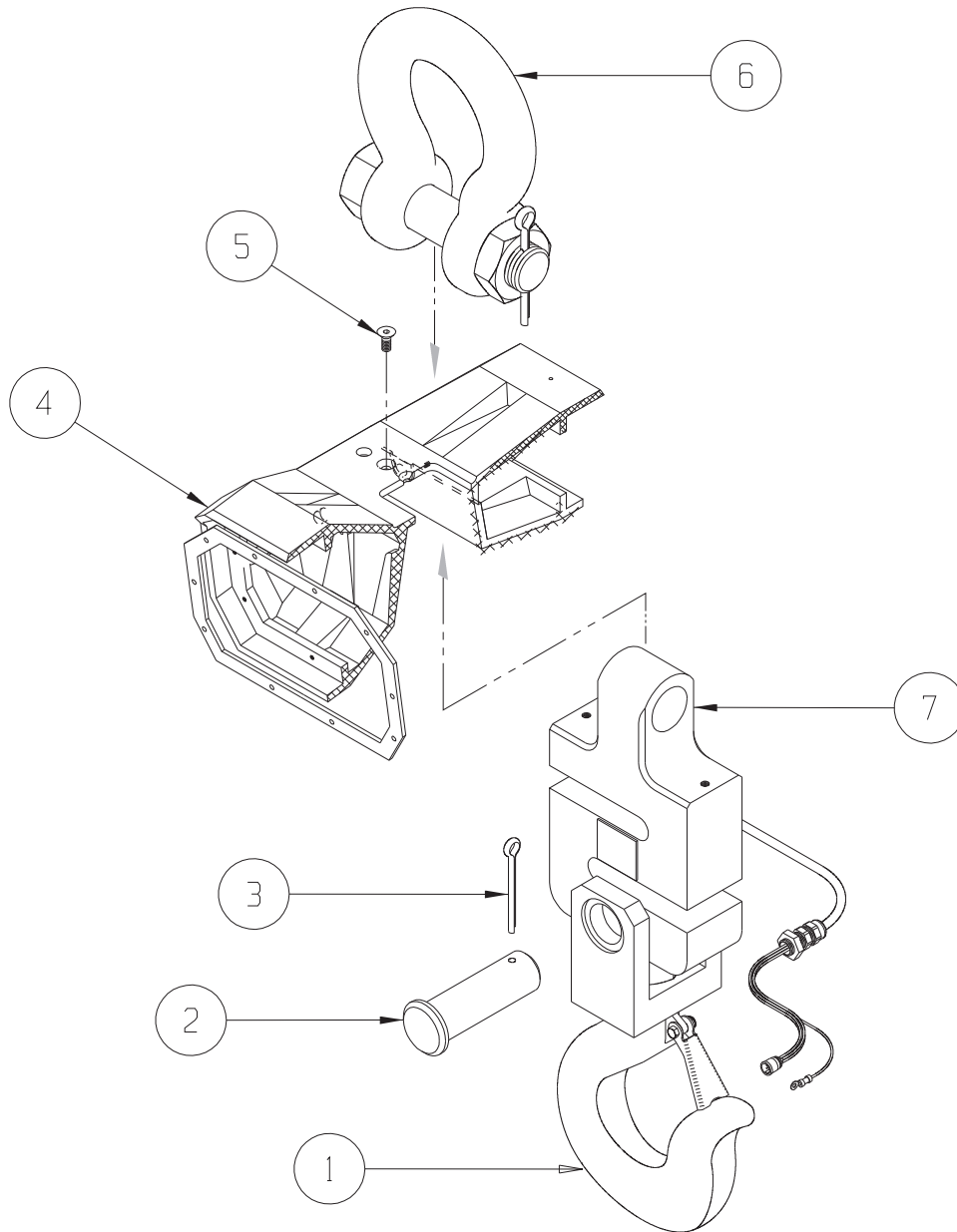
MSI-3460

Assembly (15,000 lb)



Part Number/Price

Item #	Part #	Description	Price
1	135966	Swivel hook clevis assembly	\$1,510.00
2	142836	Pin clevis, 1.25 diameter x 4, steel plated	\$65.00
3	142186	Pin, cotter, 3/16 x 2	\$2.00
4	136084	Casting	\$525.00
5	146120	Screw, 1/4-20 x 5/8, allen, stainless steel	\$2.00
6	146331	Shackle 12 ton	\$295.00
7	139083	Load cell assembly, 15,000 lb/ 7,000 kg	\$1,750.00



REPLACEMENT PARTS

MSI-3460

Battery Charger Assembly

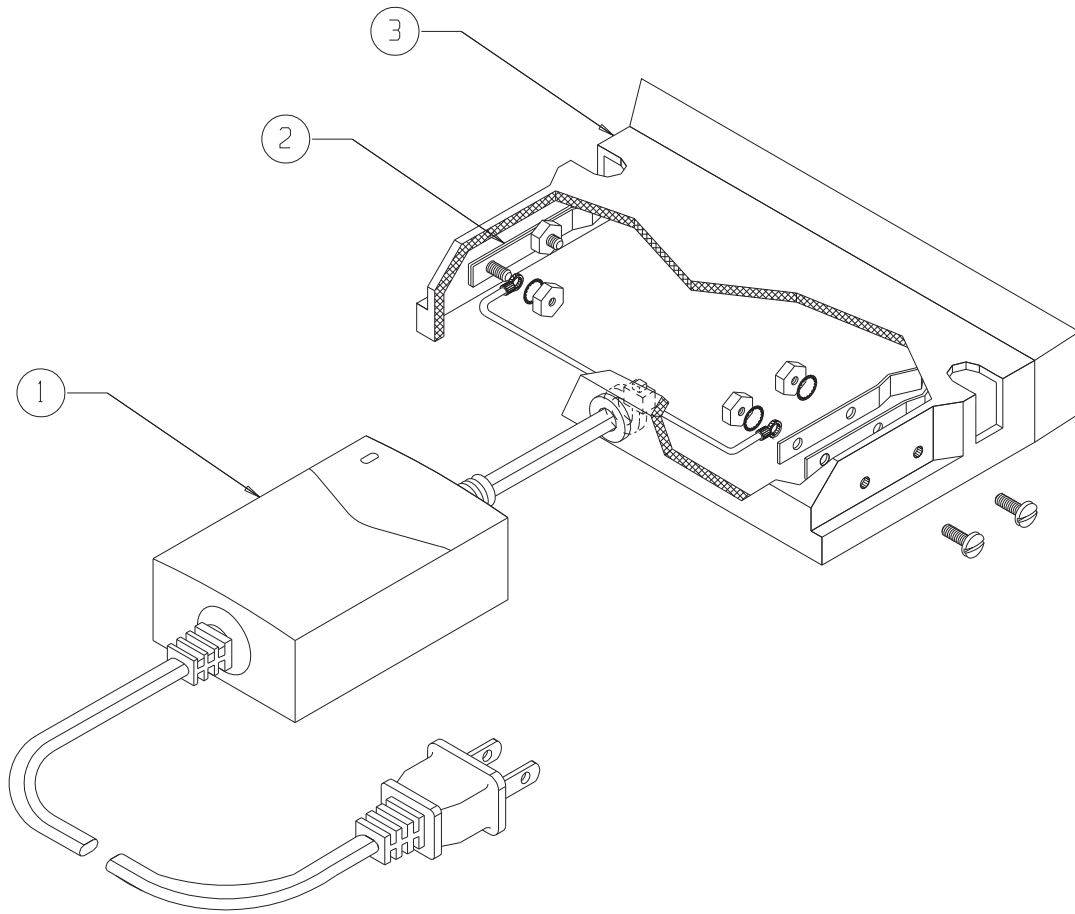


Part Number/Price

Item #	Part #	Description	Price
1	162172	Charger, 6V universal input	\$67.00
2	150038	Clip, battery terminal	\$7.00
3	150055	Enclosure	\$36.00
	139152	Battery charger assembly, US plug	\$190.00
	139153	Battery charger assembly, European plug	\$190.00
	139154	Battery charger assembly, no plug	\$180.00

MSI-3460

Battery Charger Assembly



REPLACEMENT PARTS

MSI-4260B

Front Casting Assembly



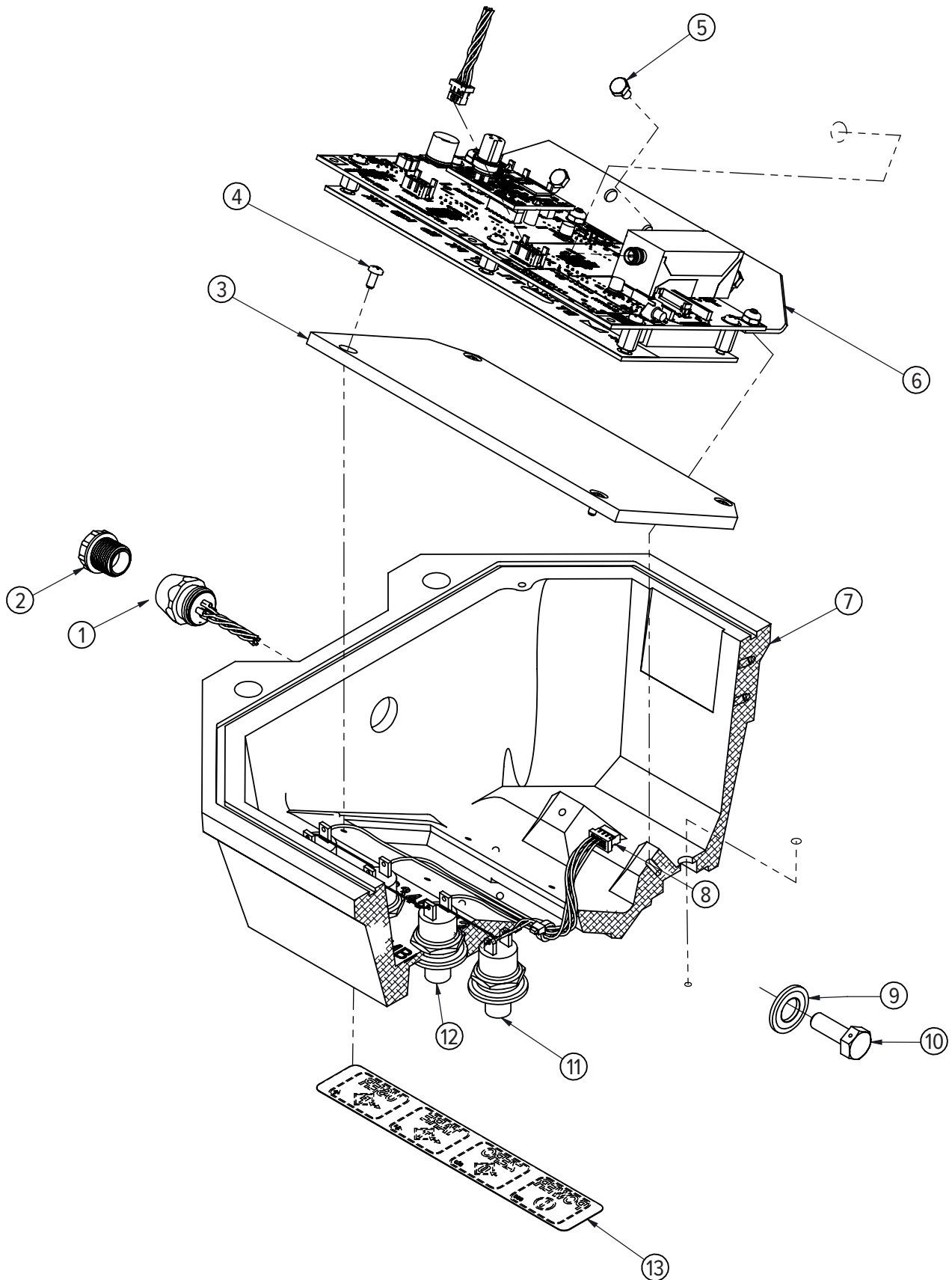
Part Number/Price

Item #	Part #	Description	Price
1	139449	Cable assembly comm serial data RS-232	\$53.00
2	143352	Conn closure cap IP68 male	\$3.00
3	149488	Window LED	\$56.00
4	128088	Screw 4-40 × 1/4 pan head Phillips drive 18-8 stainless steel	\$0.50
5	142197	Screw, pan head 6-32 × 5/16 long Phillips drive stainless steel with locking patch material applied	\$2.00
6	139427	Assembly electronics 5-digit	\$1,000.00
7	149481	Front casting and machining	\$385.00
8	139448	Cable assembly switch harness	\$21.00
9	142472	Washer seal Stat-O-Seal® 1/4 in	\$4.00
10	153203	Screw hex 1/4-20 × 0.375 UNC drilled head stainless steel	\$10.00
11	147562	Switch P3-31111W watertight red	\$46.00
12	147563	Switch P3-31112W watertight black	\$44.00
13	149506	Label switch	\$13.00

REPLACEMENT PARTS

MSI-4260B

Front Casting Assembly



REPLACEMENT PARTS

MSI-4260B

Mid-Section Assembly (S-Beam Load Cell) (500 to 10,000 lb)



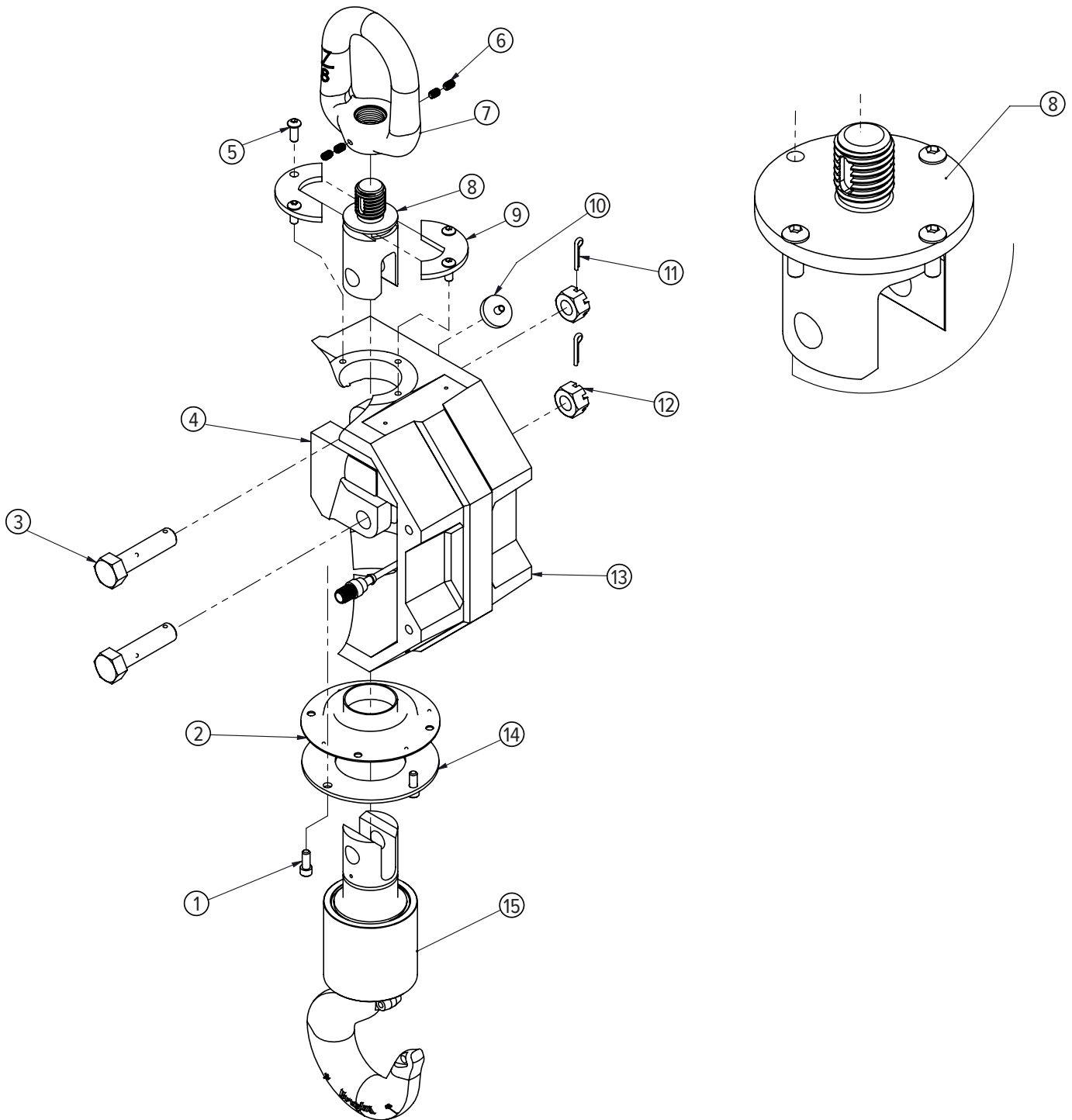
Part Number/Price

Item #	Part #	Description	Price
1	145990	Screw socket head 1/4-20 x 5/8 stainless steel	\$2.00
2	149710	Seal link lower	\$47.00
	149165	Seal lower link	\$56.00
3	148457	Bolt clevis hex head 5/8 x 1.75 grip with thread protectors	\$25.00
	149217	Bolt clevis hex head 5/8 x 2.75 grip with thread protectors	\$32.00
4	138661	Load cell assembly 500 lb s-beam	\$1,220.00
	138662	Load cell assembly 1K/2K s-beam	\$1,220.00
	138663	Load cell assembly 5K s-beam	\$1,580.00
	138664	Load cell assembly 10K s-beam	\$1,710.00
5	72031	Screw, cap 1/4-20NC x 5/8 hex socket button head stainless steel	\$1.00
6	128799	Screw, set 1/4-20 x 3/8 socket head cup point 18-8 stainless steel	\$0.45
7	139795	Eye nut #7 500# - 2K	\$200.00
	148225	Eye nut 5/10K	\$265.00
8	148271	Upper link 500#/10K	\$245.00
	149126	Upper link s-beam 5/10K	\$415.00
9	148274	Collar top half 500#/10K	\$38.00
10	146347	Adhesive loctite 242-21 blue	Consult
11	15238	Pin, cotter 1/8 x 1 extended prong stainless steel	\$1.10
12	142832	Nut hex slotted 5/8 - 11	\$2.00
13	150519	Mid-section machined 500-10K w/o o-ring	\$560.00
14	148259	Collar 500#/10K	\$47.00
15	135043	Swivel hook assembly 500#/2K	\$1,630.00
	134523	Swivel hook assembly 5/10K s-beam	\$1,320.00

REPLACEMENT PARTS

MSI-4260B

Mid-Section Assembly (S-Beam Load Cell) (500 to 10,000 lb)



REPLACEMENT PARTS

MSI-4260B

Mid-Section Assembly (20,000 to 30,000 lb)



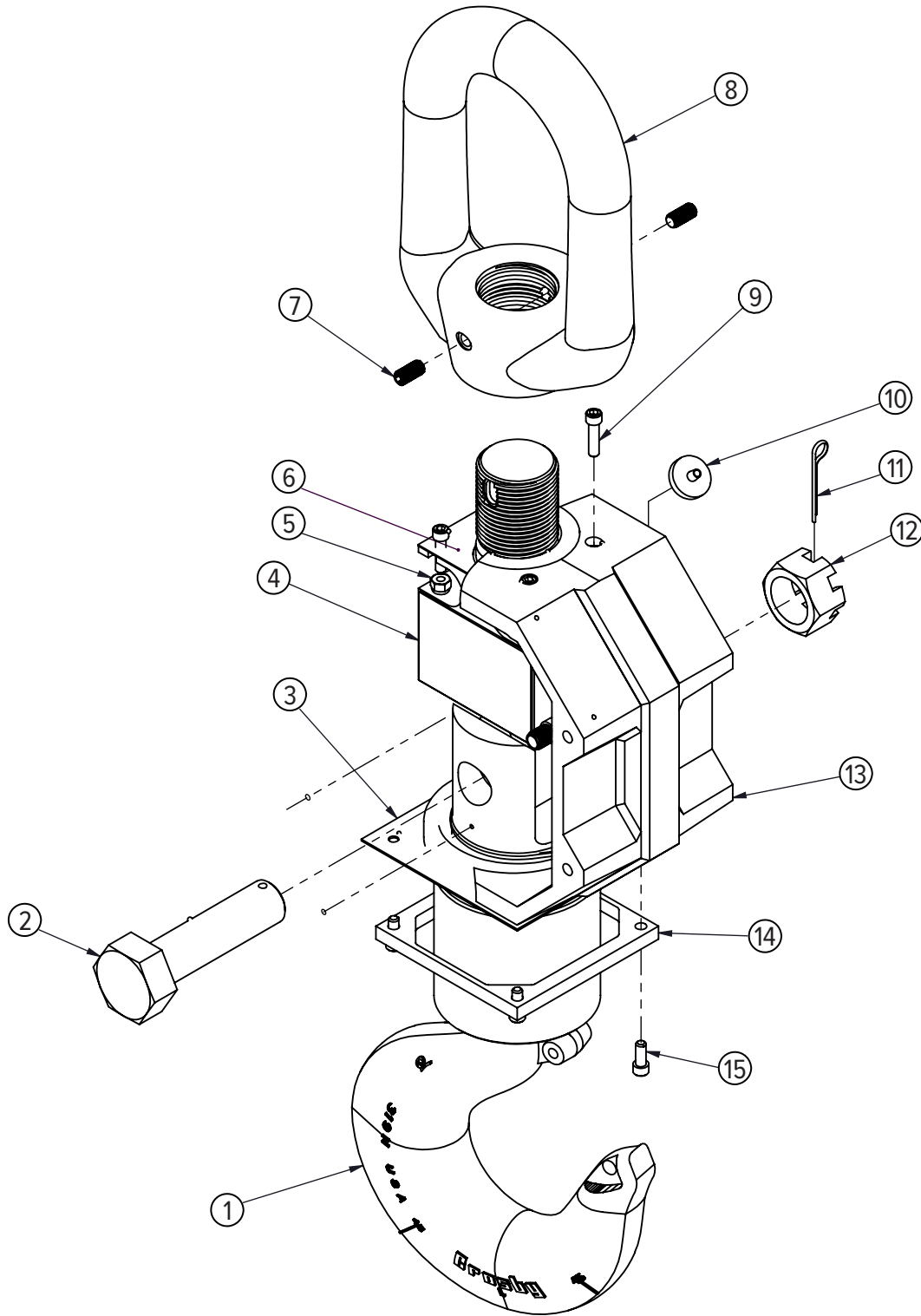
Part Number/Price

Item #	Part #	Description	Price
1	134938	Swivel hook assembly 20K	\$2,680.00
	134939	Swivel hook assembly 30K	\$3,480.00
2	148458	Bolt clevis hex head 1.125-4 x 4.2 grip with thread protectors	\$82.00
3	149957	Boot lower 20 to 70K	\$82.00
4	137763	Load cell assembly 20/30K standard	\$2,150.00
5	146631	Nut hex 1/4-20 nyloc stainless steel	\$2.00
6	149976	Gasket upper 20/30K Port-A-Weigh gasket	\$5.00
7	146081	Screw set 3/8-24 x 3/4 cup point stainless steel	\$2.00
8	148110	Eye nut 20/30K galvanized	\$610.00
9	81405	Screw, socket head 1/4-20 UNCx1 18-8 stainless steel	\$1.00
10	146322	Filter millipore	\$9.00
11	142186	Cotter pin 3/16 x 2 stainless steel	\$2.00
12	142833	Nut hex slotted 1.125 - 7 zinc plated	\$11.00
13	150523	Mid-section machined 20/30K	\$465.00
14	149958	Collar bottom 20 to 50K	\$130.00
15	145990	Screw socket head 1/4-20 x 5/8 stainless steel	\$2.00

REPLACEMENT PARTS

MSI-4260B

Mid-Section Assembly (20,000 to 30,000 lb)



REPLACEMENT PARTS

MSI-4260B

Mid-Section Assembly (50,000 to 70,000 lb)



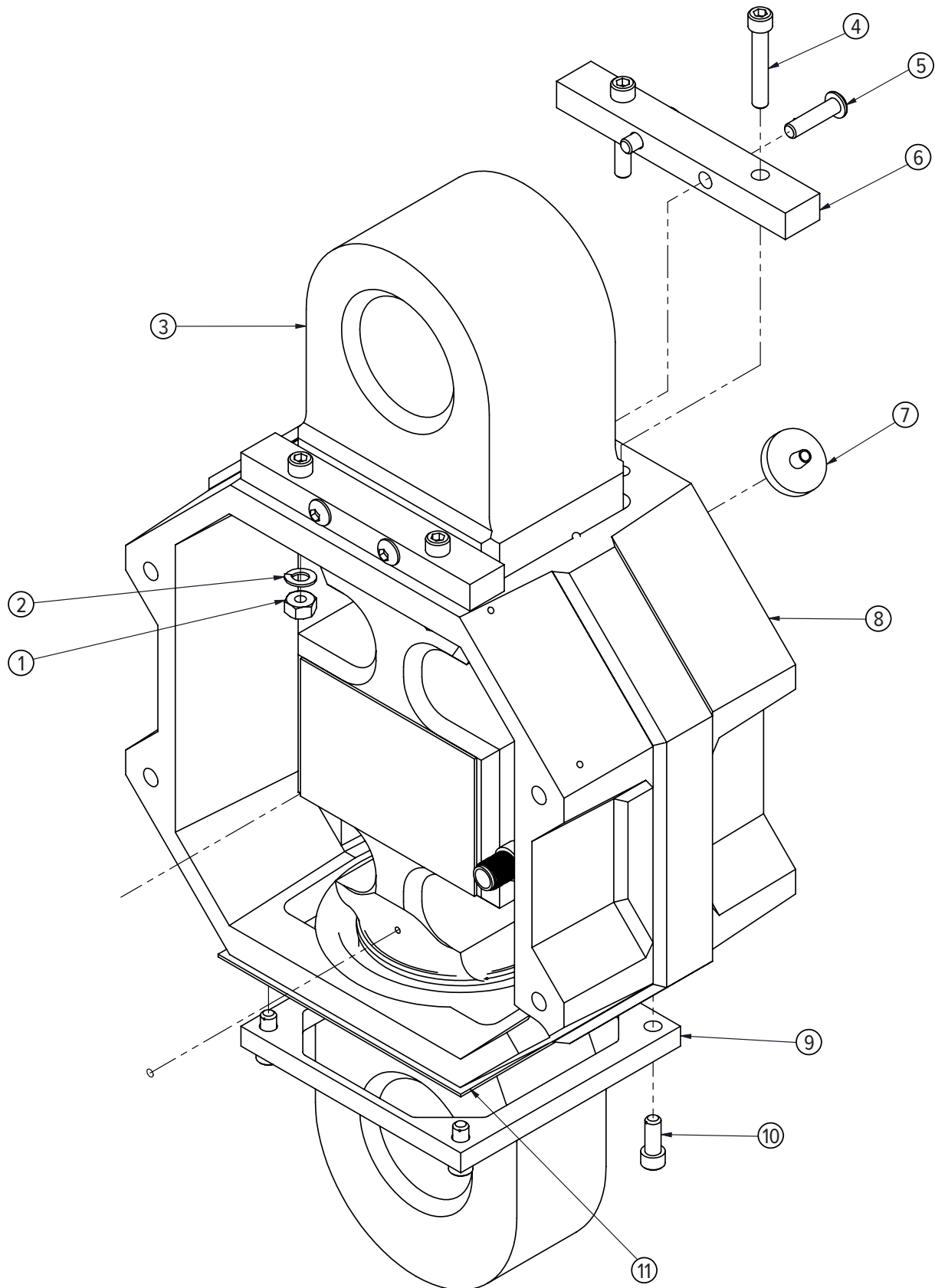
Part Number/Price

Item #	Part #	Description	Price
1	14642	Nut, 1/4-20NC hex stainless steel	\$1.50
2	15148	Washer, lock 1/4 regular	\$1.00
3	137764	Load cell assembly 50/70K standard	\$5,120.00
4	117599	Screw, cap 1/4-20NC x 1-1/2 hex socket head 18-8 stainless steel	\$1.50
5	145982	Screw button head 1/4-20 x 1 stainless steel socket head	\$2.00
6	148213	Collar top 50/100K	\$93.00
7	146322	Filter millipore	\$9.00
8	150525	Mid-section machined 50/100K	\$495.00
9	149958	Collar bottom 20 to 50K	\$130.00
10	145990	Screw socket head 1/4-20 x 5/8 stainless steel	\$2.00
11	149957	Boot lower 20 to 70K	\$82.00
Not Shown			
	151356	Shackle, 25T, 50,000 lb	Consult
	146335	Shackle, 40T, 70,000 lb	Consult
	135035	Hook, swivel, 50,000 lb	\$8,060.00
	142179	Latch, safety (fits 135035 hook)	\$150.00
	135036	Hook, swivel, 70,000 lb	\$11,290.00
	142180	Latch, safety (fits 135036 hook)	\$200.00

REPLACEMENT PARTS

MSI-4260B

Mid-Section Assembly (50,000 to 70,000 lb)



REPLACEMENT PARTS

MSI-4260B

Battery Casting Assembly



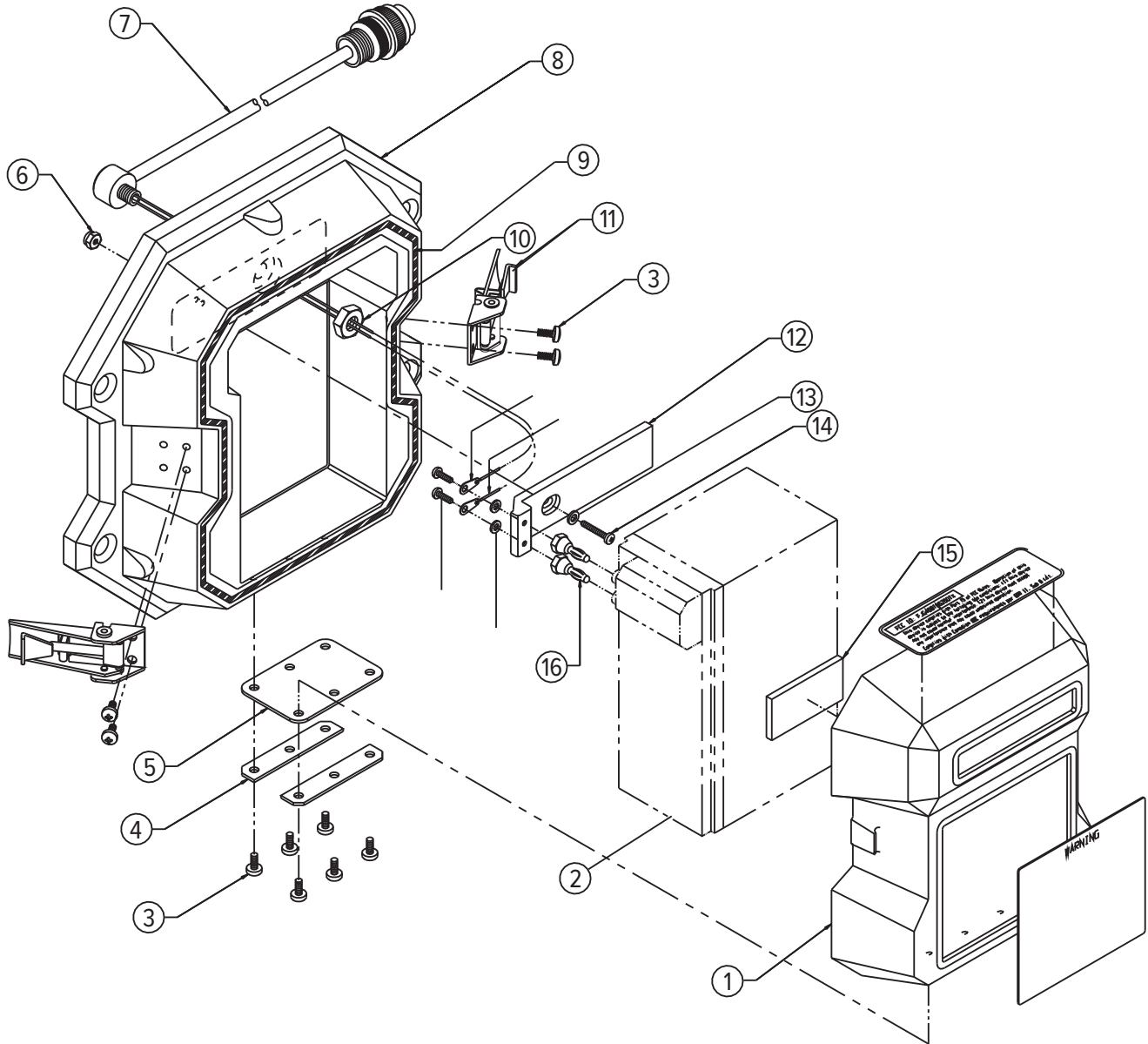
Part Number/Price

Item #	Part #	Description	Price
1	150516	Battery door machined	\$93.00
2	150367	Battery	\$135.00
3	146107	Screw pan head 8-32 x 5/16 type f stainless steel Phillips	\$2.00
4	149718	Plate aluminum battery door	\$13.00
5	149719	Fastener battery door rubber	\$10.00
6	146627	Nut hex 6-32 nyloc stainless steel	\$0.75
7	133798	Cable assembly power molded feed through	\$140.00
8	150517	Battery well machined with o-ring	\$315.00
9	149723	O-ring assembly battery well casting	\$13.00
10	146661	Nut hex 5/16-18 jam stainless steel	\$2.00
11	145934	Latch camloc	\$38.00
12	150073	Conn block	\$25.00
13	55124	Washer, flat #6 cres	\$0.50
14	127036	Screw, machine 6-32 x 3/4 Phillips pan head 18-8 stainless steel	\$3.00
15	146640	Pad poron 2.0 x 1.0	\$3.00
16	147825	Plug banana jack	\$11.00

REPLACEMENT PARTS

MSI-4260B

Battery Casting Assembly



REPLACEMENT PARTS

MSI-4260B

Bulkhead Assembly



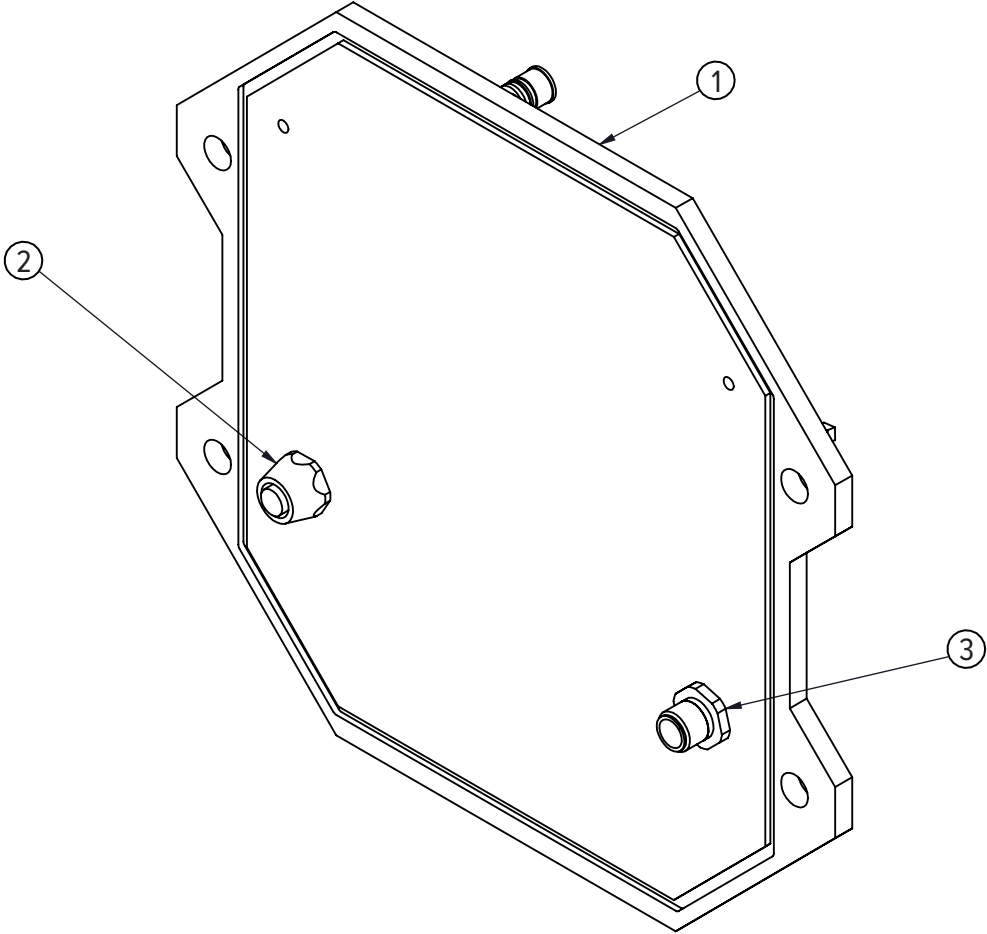
Part Number/Price

Item #	Part #	Description	Price
1	149469	Bulkhead	\$145.00
2	139471	Cable assembly bulkhead load cell 12.0 in	\$63.00
3	139472	Cable assembly bulkhead power 12.0 in	\$47.00

REPLACEMENT PARTS

MSI-4260B

Bulkhead Assembly



REPLACEMENT PARTS

MSI-4260M Industrial

Front Casting Assembly



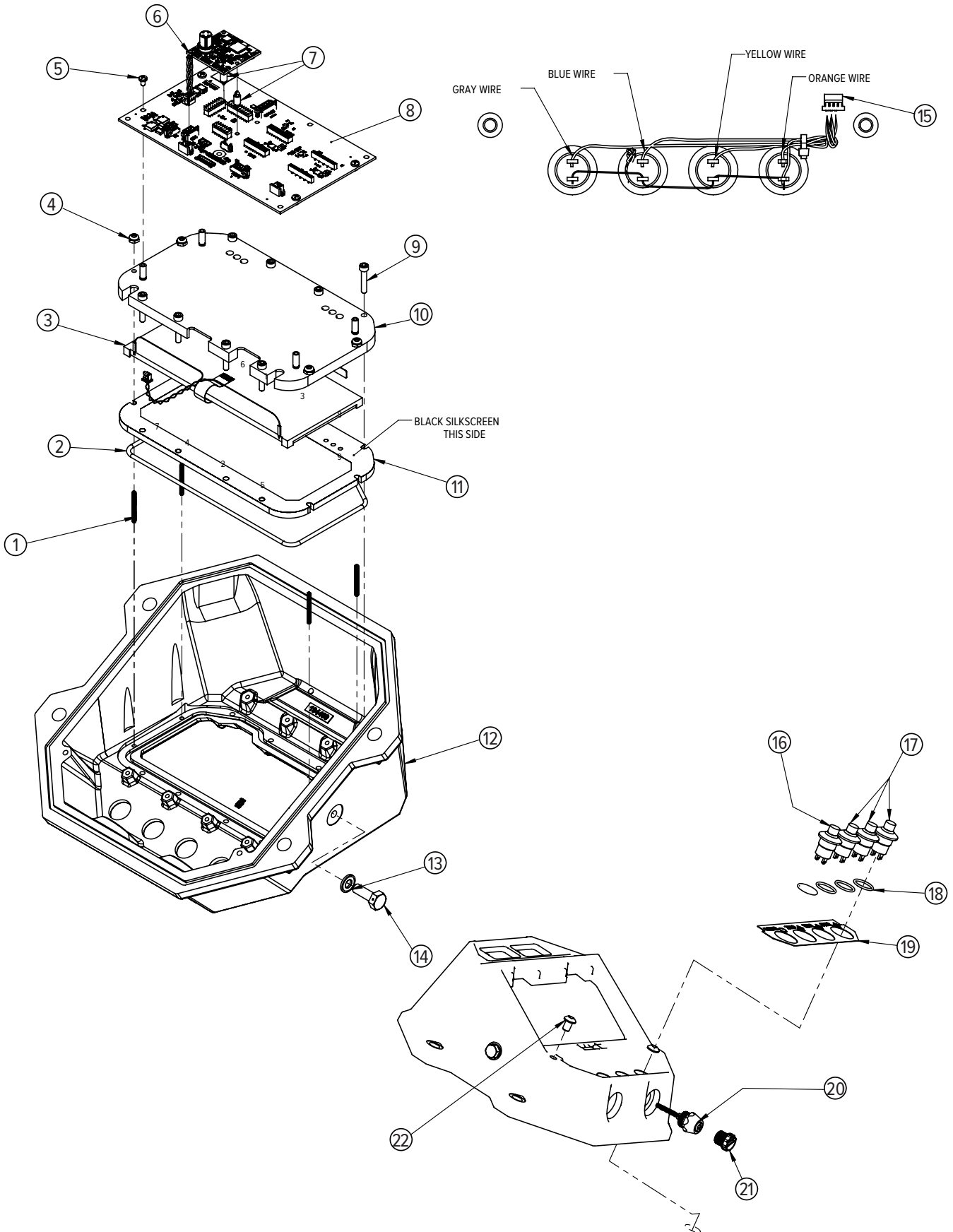
Part Number/Price

Item #	Part #	Description	Price
1	196566	Screw set allen dr cp stainless steel 4-40 1.0 LG	\$2.00
2	182066	O-ring 5.737 × 0.103 nitrile	\$2.00
3	195333	LCD module	\$115.00
4	146625	Nut hex 4-40 nyloc stainless steel	\$2.00
5	146593	Screw pan head 4-40 × 3/16 Phillips stainless steel	\$0.75
6	153429	PCA ScaleCore 3 1-channel w/ turck insert - controlled	\$265.00
7	144929	Spacer miniature dual locking 6 mm long	\$6.00
8	191081	PCA 5-digit LCD	\$390.00
9	200637	Screw, cap 6-32NC × 3/4 hex socket head 18-8 stainless steel	\$2.00
10	196524	LCD bracket	\$100.00
11	196523	LCD window	\$100.00
12	203000	Front casting LCD display	\$430.00
13	142472	Washer seal Stat-O-Seal® 1/4 inch	\$4.00
14	153203	Screw hex 1/4-20 × .375 UNC drilled hd stainless steel	\$10.00
15	139448	Cable assembly switch harness	\$21.00
16	147562	Switch P3-31111W watertight red	\$46.00
17	147563	Switch P3-31112W watertight black	\$44.00
18	146251	O-ring 70 durometer for use with PG11 feed through	\$2.00
19	194709	Overlay switches	\$30.00
20	139449	Cable assembly comm serial data RS-232	\$53.00
21	143352	Connector closure cap IP68 male	\$3.00
22	198460	Screw, cap 1/4-20 × 3/8 hex socket button head stainless steel	\$2.00

REPLACEMENT PARTS

MSI-4260M Industrial

Front Casting Assembly



REPLACEMENT PARTS

MSI-4260M Industrial

Mid-Section Assembly (500 to 10,000 lb)



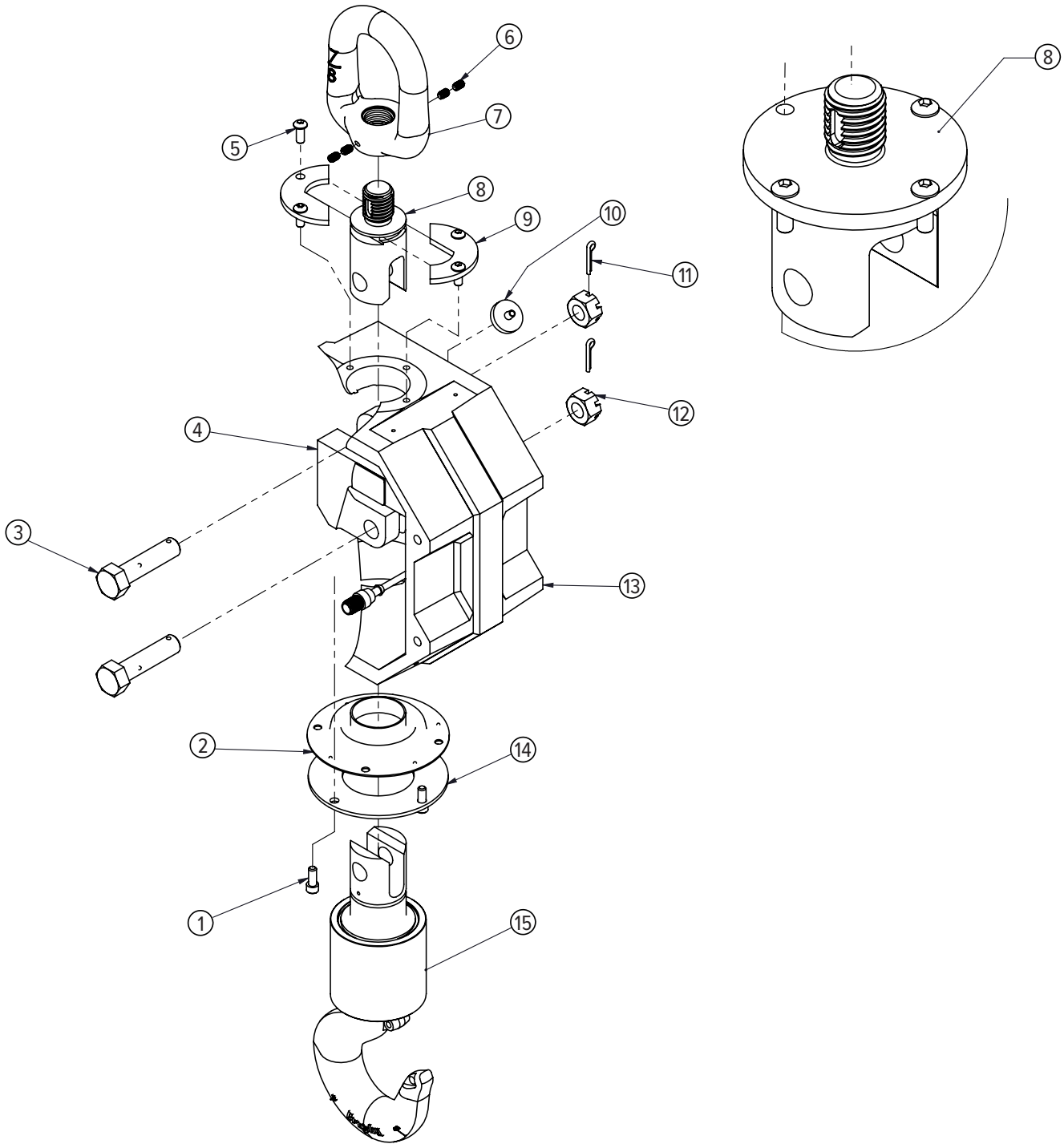
Part Number/Price

Item #	Part #	Description	Price
1	145990	Screw socket head 1/4-20 × 5/8 stainless steel	\$2.00
2	149165	Seal lower link	\$56.00
	149710	Seal lower link	\$47.00
3	149217	Bolt clevis hex head 5/8 × 2.75 grip	\$32.00
	148457	Bolt clevis hex head 5/8 × 1.75 grip with thread protectors	\$25.00
4	138664	Load cell assembly 10K s-beam	\$1,710.00
	138663	Load cell assembly 5K s-beam	\$1,580.00
	138662	Load cell assembly 1K/2K s-beam	\$1,220.00
	138661	Load cell assembly 500 lb s-beam	\$1,220.00
5	41251	Screw, cap 1/4-20NC × 3/4 hex socket button head stainless steel	\$2.00
	72031	Screw, cap 1/4-20NC × 5/8 hex socket button head stainless steel	\$1.00
6	128799	Screw, set 1/4-20 × 3/8 socket head cup point 18-8 stainless steel	\$0.45
7	148225	Eye nut 5/10K	\$265.00
	139795	Eye nut #7 500 lb/2K	\$200.00
8	149126	Upper link s-beam 5/10K	\$415.00
	148271	Upper link 500 lb/10K	\$245.00
9	148274	Collar top half 500 lb/10K	\$38.00
10	146322	Filter	\$9.00
11	15238	Pin, cotter 1/8 × 1 extended prong stainless steel	\$1.10
12	142832	Nut, hex slotted 5/8-11	\$2.00
13	150519	Mid section machined 500 lb/10K without o-ring	\$560.00
14	148259	Collar 500 lb/10K	\$47.00
15	134523	Swivel hook assembly 5/10K s-beam	\$1,320.00
	135043	Swivel hook assembly 500 lb/2K s-beam	\$1,630.00

REPLACEMENT PARTS

MSI-4260M Industrial

Mid-Section Assembly (500 to 10,000 lb)



REPLACEMENT PARTS

MSI-4260M Industrial

Mid-Section Assembly (20,000 to 30,000 lb)



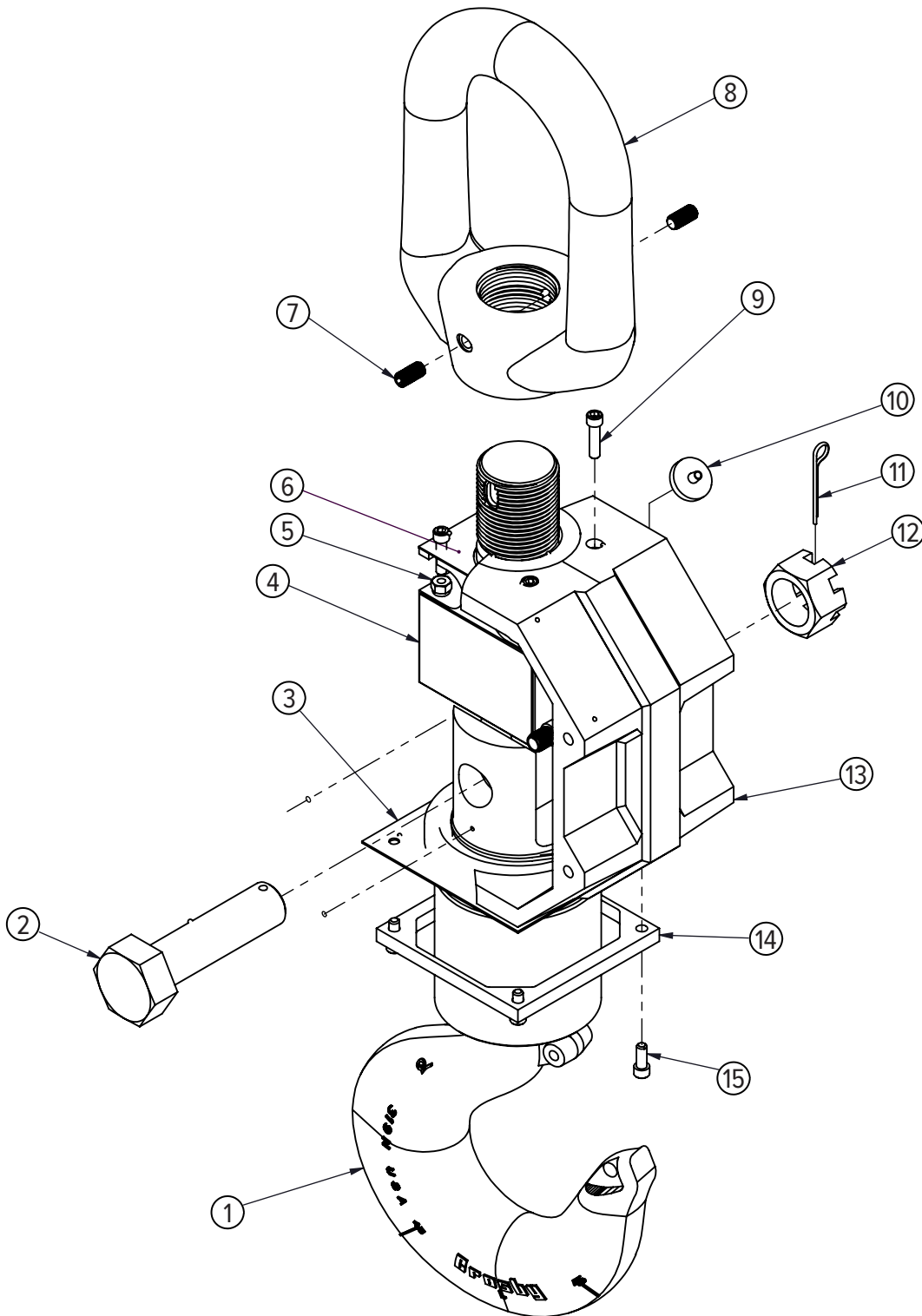
Part Number/Price

Item #	Part #	Description	Price
1	134938	Swivel hook assembly 20K	\$2,680.00
	134939	Swivel hook assembly 30K	\$3,480.00
2	148458	Bolt clevis hex head 1.125-7 × 4.2 grip with thread protectors	\$82.00
3	149957	Boot lower 20 to 70K	\$82.00
4	137763	Load cell assembly 20K/30K	\$2,150.00
5	146631	Nut hex 1/4-20 nyloc stainless steel	\$2.00
6	149976	Gasket upper 20K/30K Port-A-Weigh gasket	\$5.00
7	146081	Screw set 3/8-24 × 3/4 cup point stainless steel	\$2.00
8	148110	Eye nut 20K/30K galvanized	\$610.00
9	81405	Screw, socket head 1/4-20UNC×1 18-8 stainless steel	\$1.00
10	146322	Filter millipore	\$9.00
11	142186	Cotter pin 3/16 × 2	\$2.00
12	142833	Nut hex slotted 1.125 - 7 zinc pltd	\$11.00
13	150523	Mid section machined 20K/30K	\$465.00
14	149958	Collar bottom 20 to 50K	\$130.00
15	145990	Screw socket head 1/4-20 × 5/8 stainless steel	\$2.00

REPLACEMENT PARTS

MSI-4260M Industrial

Mid-Section Assembly (20,000 to 30,000 lb)



REPLACEMENT PARTS

MSI-4260M Industrial

Mid-Section Assembly (50,000 to 70,000 lb)



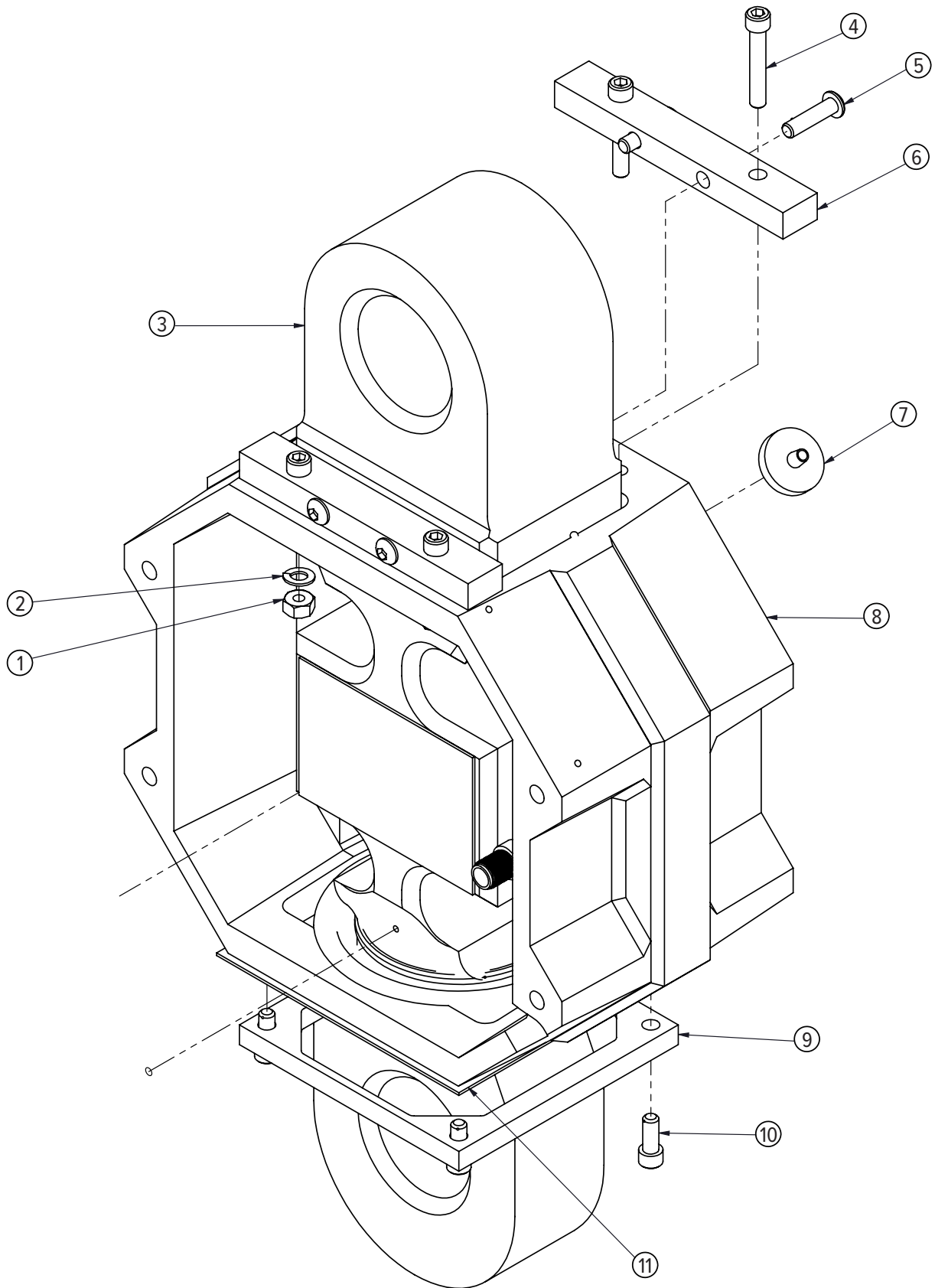
Part Number/Price

Item #	Part #	Description	Price
1	14642	Nut, 1/4-20NC hex stainless steel	\$1.50
2	15148	Washer, lock 1/4 regular helical spring stainless steel	\$1.00
3	137764	Load cell assembly 50K/70K standard	\$5,120.00
4	117599	Screw, cap 1/4-20NC×1-1/2 hex socket head 18-8 stainless steel	\$1.50
5	145982	Screw button head 1/4-20 × 1 stainless steel socket head	\$2.00
6	148213	Collar top 50K/100K	\$93.00
7	146322	Filter millipore	\$9.00
8	150525	Mid-section machined 50K/100K	\$495.00
9	149958	Collar bottom 20 to 50K	\$130.00
10	145990	Screw socket head 1/4-20 × 5/8 stainless steel	\$2.00
11	149957	Boot lower 20 to 70K	\$82.00
Not Shown			
	151356	Shackle, 25T, 50,000 lb	Consult
	146335	Shackle, 40T, 70,000 lb	Consult
	135035	Hook, swivel 50,000 lb	\$8,060.00
	142179	Latch safety (fits PN 135035 hook)	\$150.00
	135036	Hook, swivel 70,000 lb	\$11,290.00
	142180	Latch safety (fits PN 135036 hook)	\$200.00

REPLACEMENT PARTS

MSI-4260M Industrial

Mid-Section Assembly (50,000 to 70,000 lb)



REPLACEMENT PARTS

MSI-4260M Industrial

Battery Casting Assembly



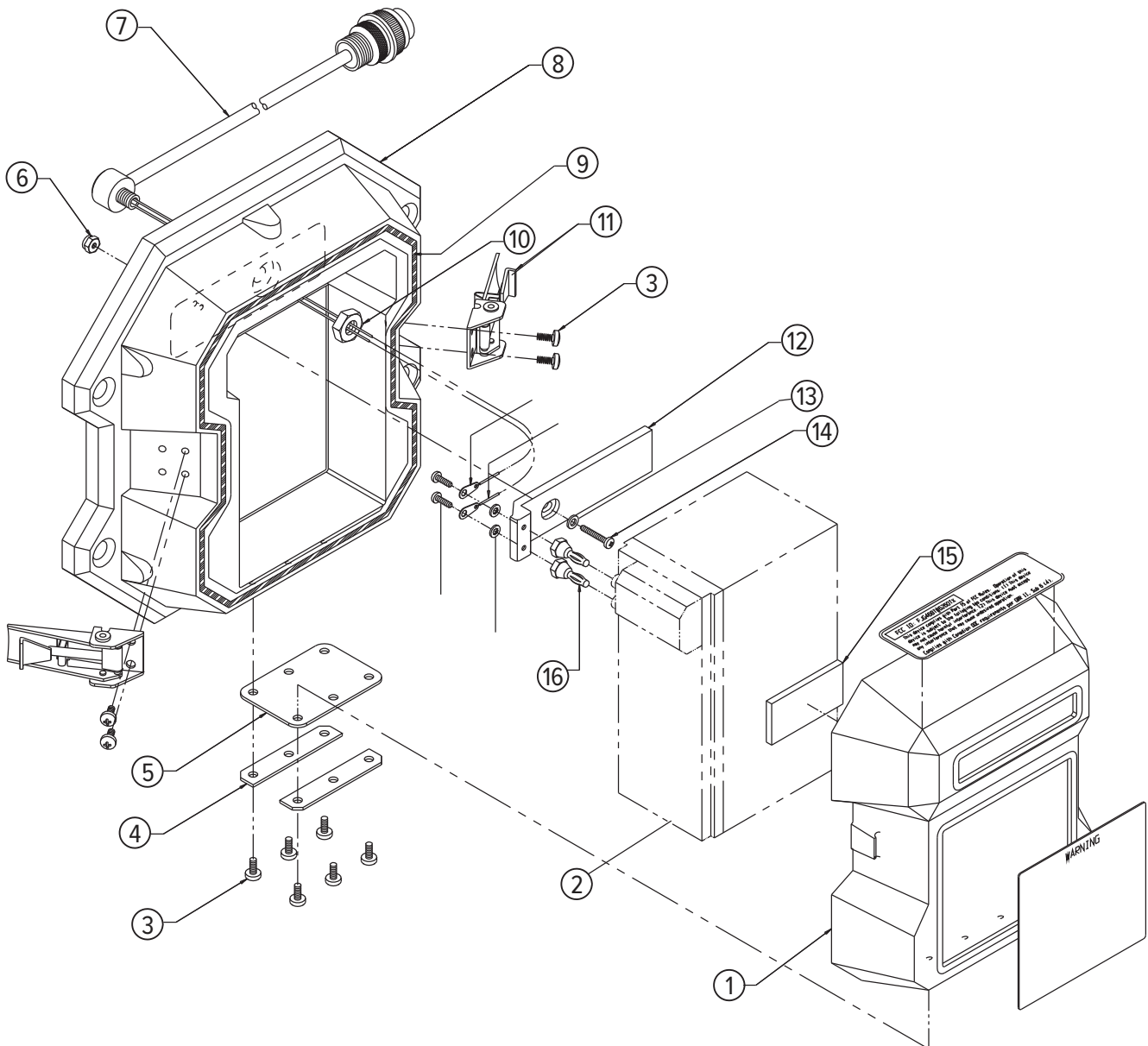
Part Number/Price

Item #	Part #	Description	Price
1	150516	Battery door machined	\$93.00
2	150367	Battery	\$135.00
3	146107	Screw pan head 8-32 x 5/16 type f stainless steel Phillips head	\$2.00
4	149718	Plate aluminum battery door	\$13.00
5	149719	Fastener battery door rubber	\$10.00
6	146627	Nut hex 6-32 nyloc stainless steel	\$0.75
7	133798	Cable assembly power molded feed through	\$140.00
8	150517	Battery well machined with o-ring	\$315.00
9	149723	O-ring assembly battery well casting	\$13.00
10	146661	Nut hex 5/16-18 jam stainless steel	\$2.00
11	145934	Latch camloc	\$38.00
12	150073	Connector block	\$25.00
13	55124	Washer, flat #6 cres	\$0.50
14	127036	Screw, machine 6-32 x 3/4 Phillips pan head 18-8 stainless steel	\$3.00
15	146640	Pad poron 2.0 x 1.0	\$3.00
16	147825	Plug banana jack	\$11.00

REPLACEMENT PARTS

MSI-4260M Industrial

Battery Casting Assembly



REPLACEMENT PARTS

MSI-4260M Industrial

Bulkhead Assembly



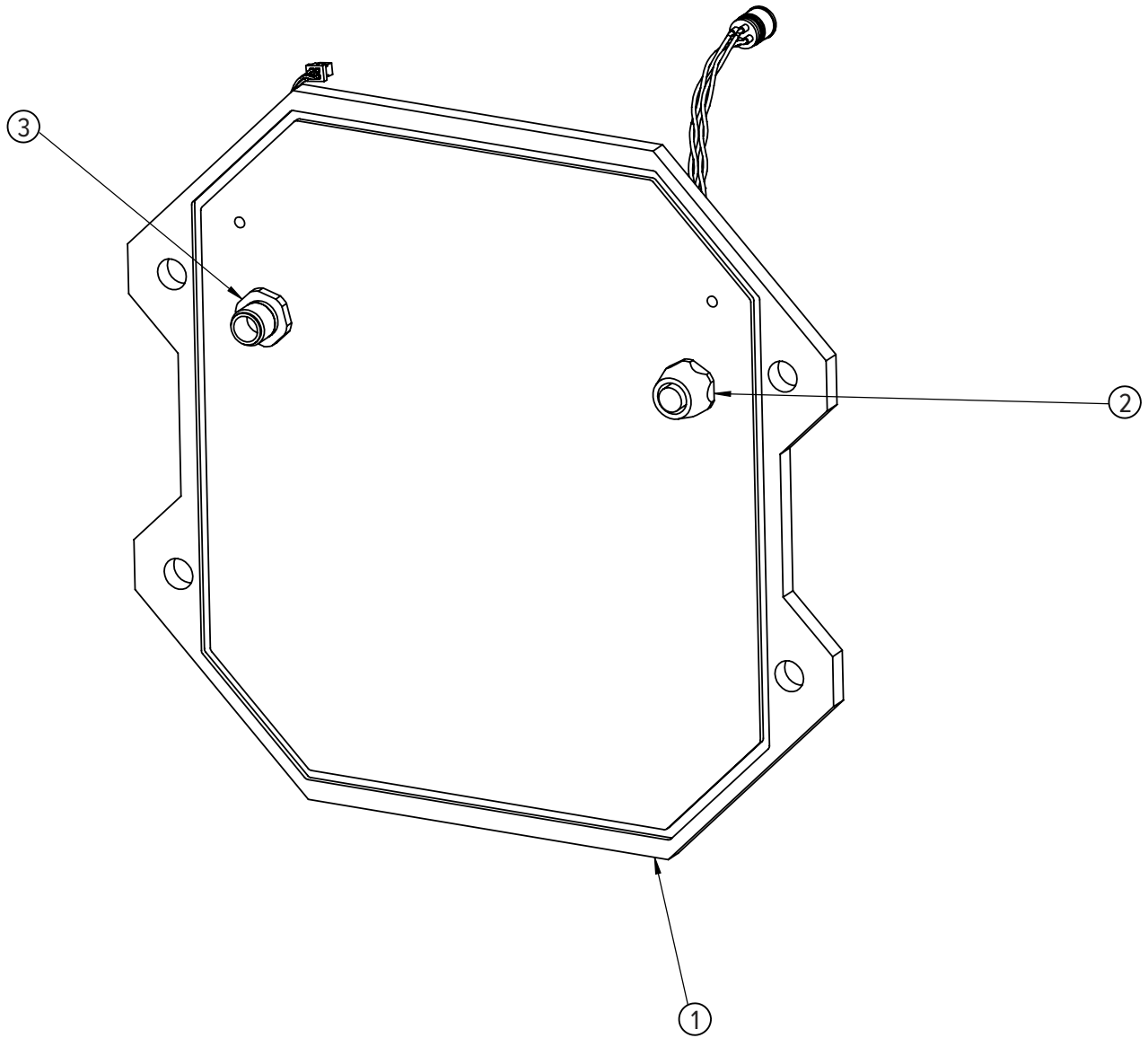
Part Number/Price

Item #	Part #	Description	Price
1	196355	Bulkhead front casting	Consult
2	139471	Cable assembly bulkhead load cell 12.0 in	\$63.00
3	139472	Cable assembly bulkhead power 12.0 in	\$47.00

REPLACEMENT PARTS

MSI-4260M Industrial

Bulkhead Assembly



REPLACEMENT PARTS

MSI-4260M Marine

Front Assembly



Part Number/Price

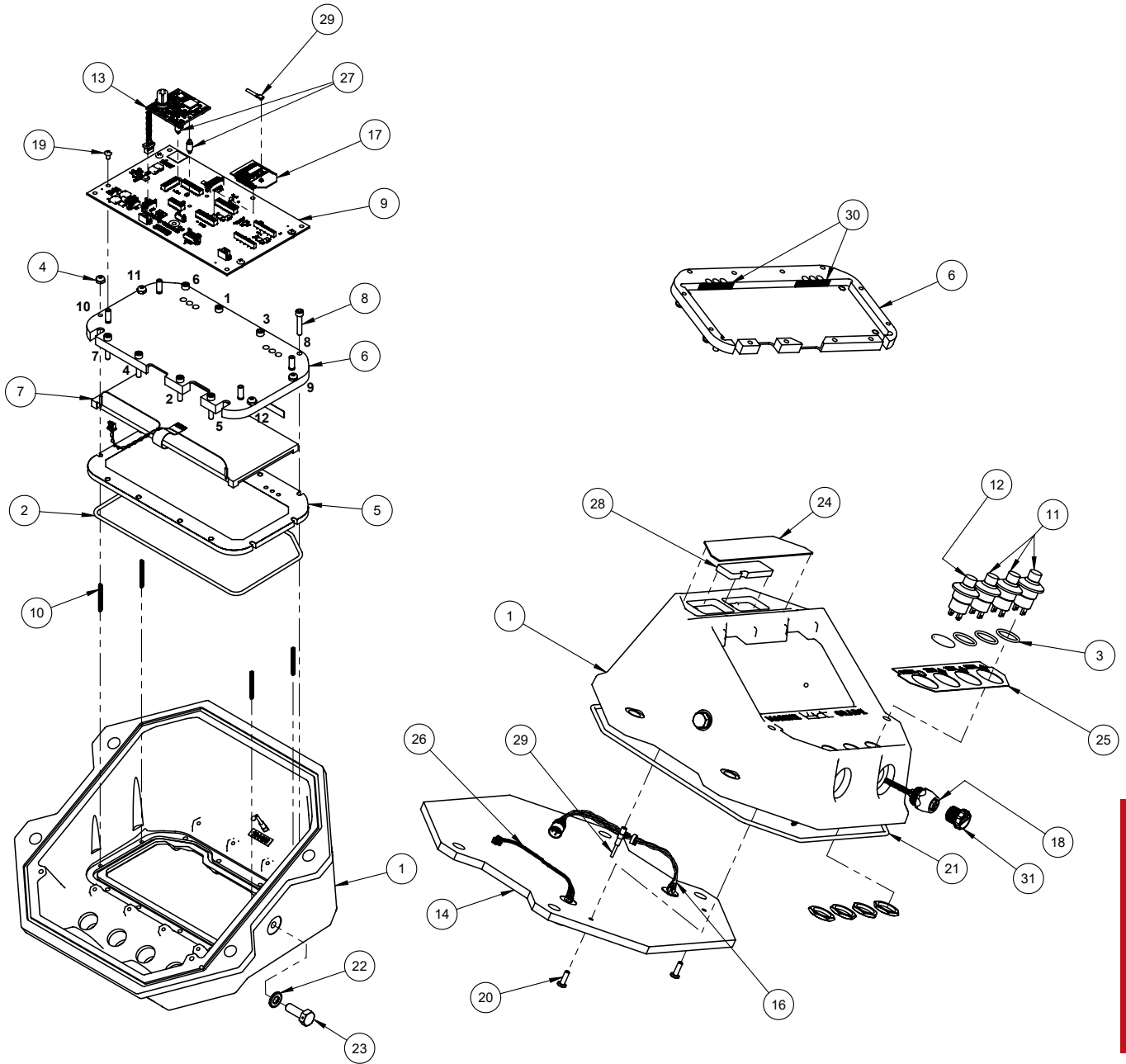
Item #	Part #	Description	Price
1	194469	Front casting 4260M	\$430.00
2	182066	O-ring 5.707 × .103	\$2.00
3	146251	O-ring ID .614 × .070 70 durometer	\$2.00
4	146625	NUT hex 4-40 nyloc stainless steel	\$2.00
5	196523	Window LCD 4260M	\$100.00
6	196524	Bracket LCD and electronics 4260M	\$100.00
7	195333	LCD display module 4260M	\$115.00
8	79567	Screw socket head 6-32 × 3/4 stainless steel	\$1.00
9	191081	PCA LCD 4260M	\$390.00
10	196566	Screw set 4-40 × 1.0 lg cp stainless steel	\$2.00
11	147563	Switch, black, watertight	\$44.00
12	147562	Switch, red, watertight	\$46.00
13	137805	PCA Scalecore 1 channel with turck insert	\$265.00
14,16,26	196276	Bulkhead assembly front 4260M	\$290.00
15	139448	Cable assembly switch harness 4260B (not shown)	\$21.00
16	139471	Cable assembly bulkhead lc 4260B/4260M	\$63.00
17	144773	Radio module XBEE-PRO 802.15.4 U.FL connect	\$120.00
18	139449	Cable assembly comm serial data RS-232 4260B/4260M	\$53.00
19	146593	Screw pan head 4-40 × 3/16 Phillips stainless steel	\$0.75
20	146604	Screw pan head 6-32 × 7/16 Phillips stainless steel	\$0.75
21	149724	O-ring assembly front casting paw/Trans-Weigh 4260M	\$13.00
22	142472	Washer seal Stat-O-Seal® 1/4 inch	\$4.00
23	144333	Screw hex head 1/4-20 × .75 drilled hd zinc pltd	\$5.00
24	195104	Overlay, descriptive 4260M	\$29.00
25	194709	Overlay switch 4260M	\$30.00
26	139472	Cable assembly bulkhead power 4260B/4260M	\$47.00
27	144929	Spacer mini dual locking .1 hole × 6 mm long	\$6.00
28	143454	Antenna 2.4GHz patch with straight mmcx	\$105.00
29	139450	RF cable assembly mmcx str jack - U.FL 175 mm	\$24.00
30	197592	Light shield blackout .235 × 1.25 peel & stick	\$4.00
31	143352	Conn closure cap IP68 male	\$3.00

Note: Items 14, 16 and 26 add new item for the assembly

REPLACEMENT PARTS

MSI-4260M Marine

Front Assembly



REPLACEMENT PARTS

MSI-4260M Marine

Battery Casting Assembly



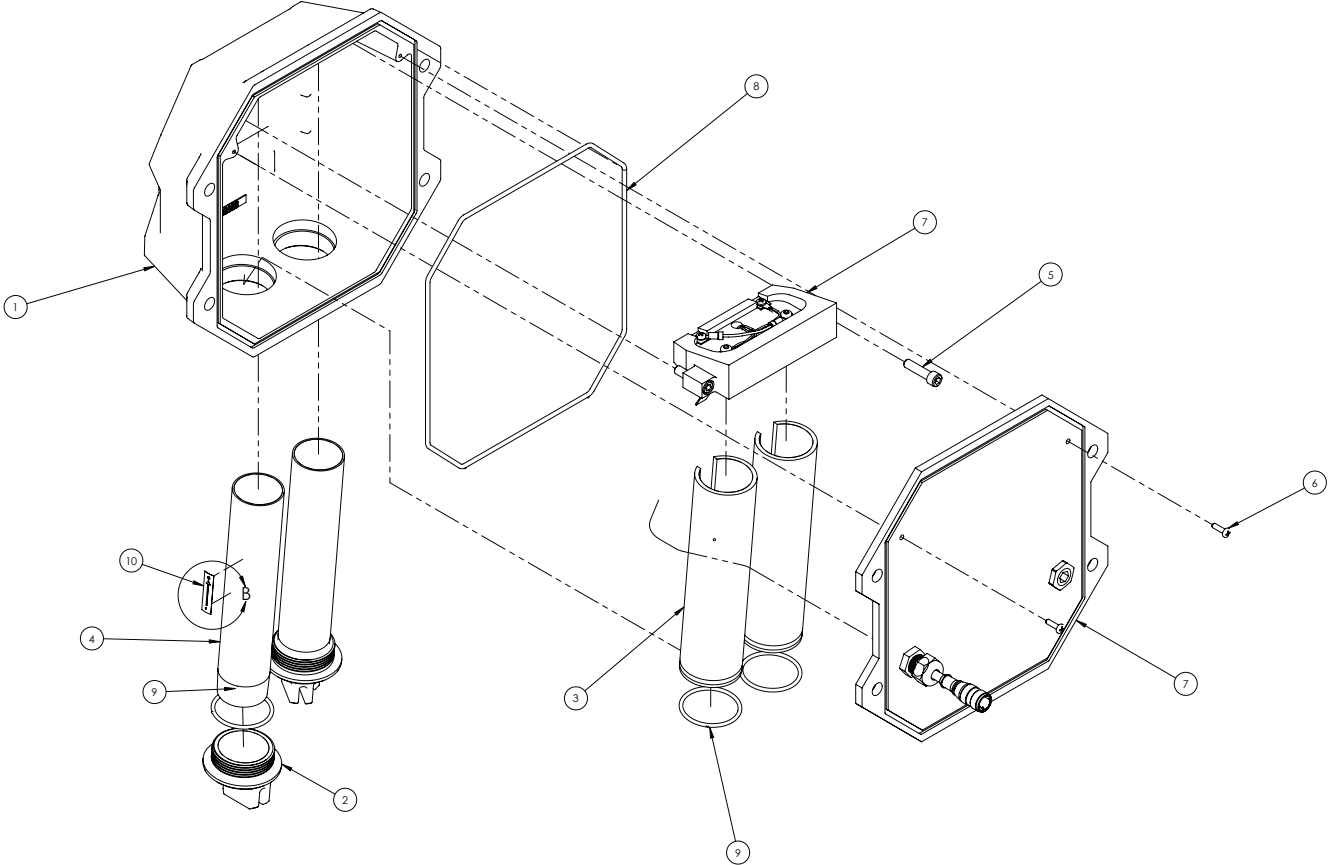
Part Number/Price

Item #	Part #	Description	Price
1	196155	Rear casting d-cell battery 4260M	\$310.00
2	147901	Battery cap paw+ d-cell tube 4260M	\$15.00
3	196308	Guide tube d-cell battery 4260M	\$115.00
4	196313	Weldment d-cell battery tube	\$145.00
5	81405	Screw socket head 1/4-20 x 1 stainless steel	\$1.00
6	146605	Screw pan head 6-32 x 1/2 stainless steel	\$0.75
7	196500	Battery terminal carrier assembly	\$450.00
8	149724	O-ring assembly front casting paw/trans-weigh 4260M	\$13.00
9	196502	O-ring 1-9/16 id x .103	\$0.75
10	141676	Polarity label	\$0.75

REPLACEMENT PARTS

MSI-4260M Marine

Battery Casting Assembly



REPLACEMENT PARTS

MSI-4260M Marine

Midsection Assembly



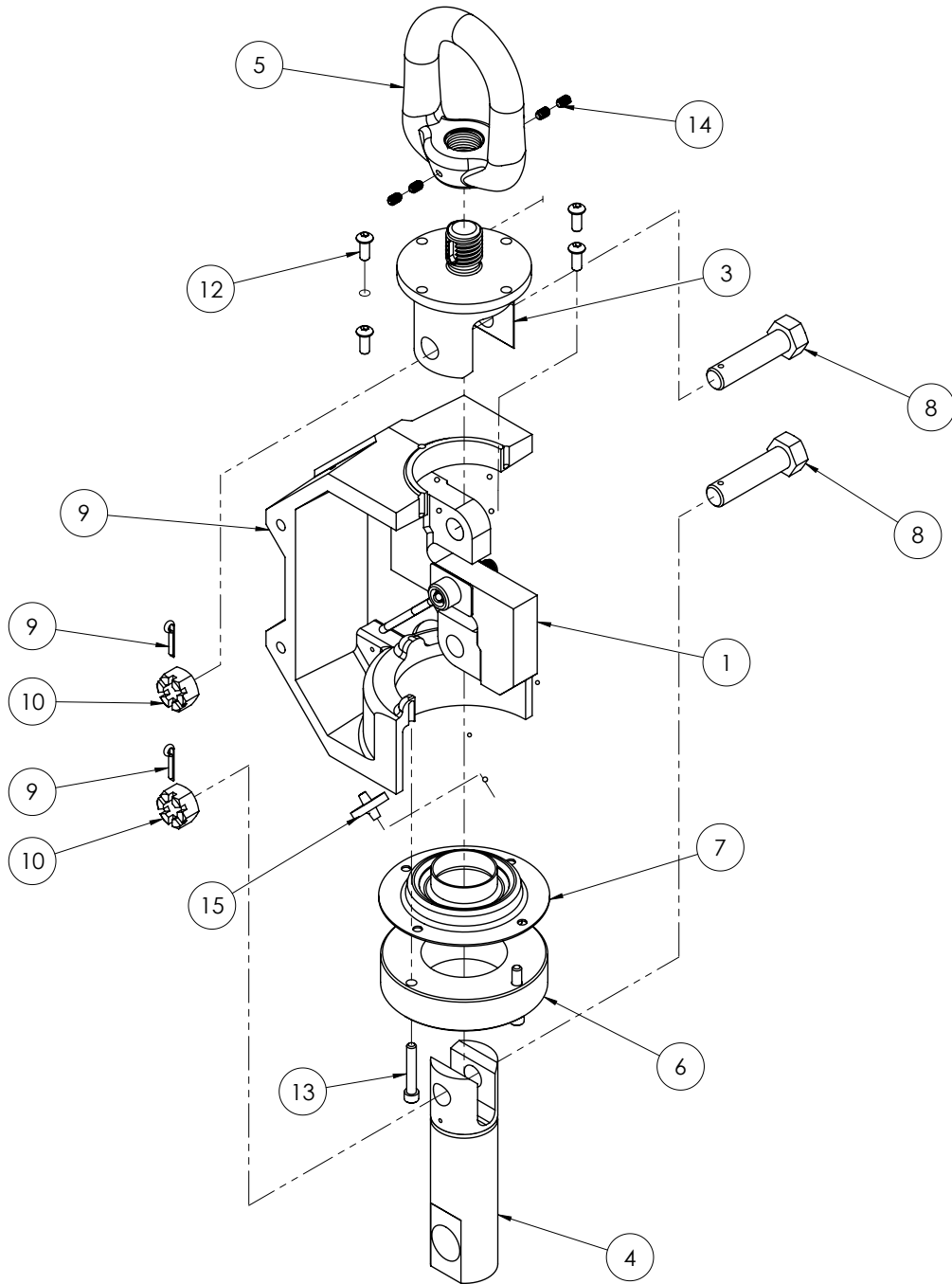
Part Number/Price

Item #	Part #	Description	Price
1	138663	Load cell assembly 5K s-beam 4260B/4260M	\$1,580.00
2	149175	Casting mid section 5/10K s-beam 6260CS, 4260M	\$340.00
3	203378	Upper link s-beam 5/10K	\$520.00
4	197430	Lower link 5/10K s-beam 4260M	\$1,275.00
5	148225	Eye nut 5/10K	\$265.00
6	204508	Collar 5/10K shackle	\$240.00
7	149165	Seal lower link EDPM	\$56.00
8	149217	Bolt clevis pin hex head 5/8 × 2.75 GRIP. 5K/10K capacity	\$32.00
9	15238	Pin cotter 1/8 × 1 stainless steel	\$1.10
10	142832	Nut hex slotted 5/8-11	\$2.00
11	144878	Washer flat 5/8 × 1.312	\$2.00
12	72031	Screw button head 1/4-20 × 5/8 stainless steel socket hd	\$1.00
13	117599	Screw socket head 1/4-20 × 1-1/2 stainless steel	\$1.50
14	128799	Screw set 1/4-20 × 3/8 stainless steel	\$0.45
15	146322	Filter millipore	\$9.00

REPLACEMENT PARTS

MSI-4260M Marine

Midsection Assembly



REPLACEMENT PARTS

MSI-9300

Front Casting Assembly



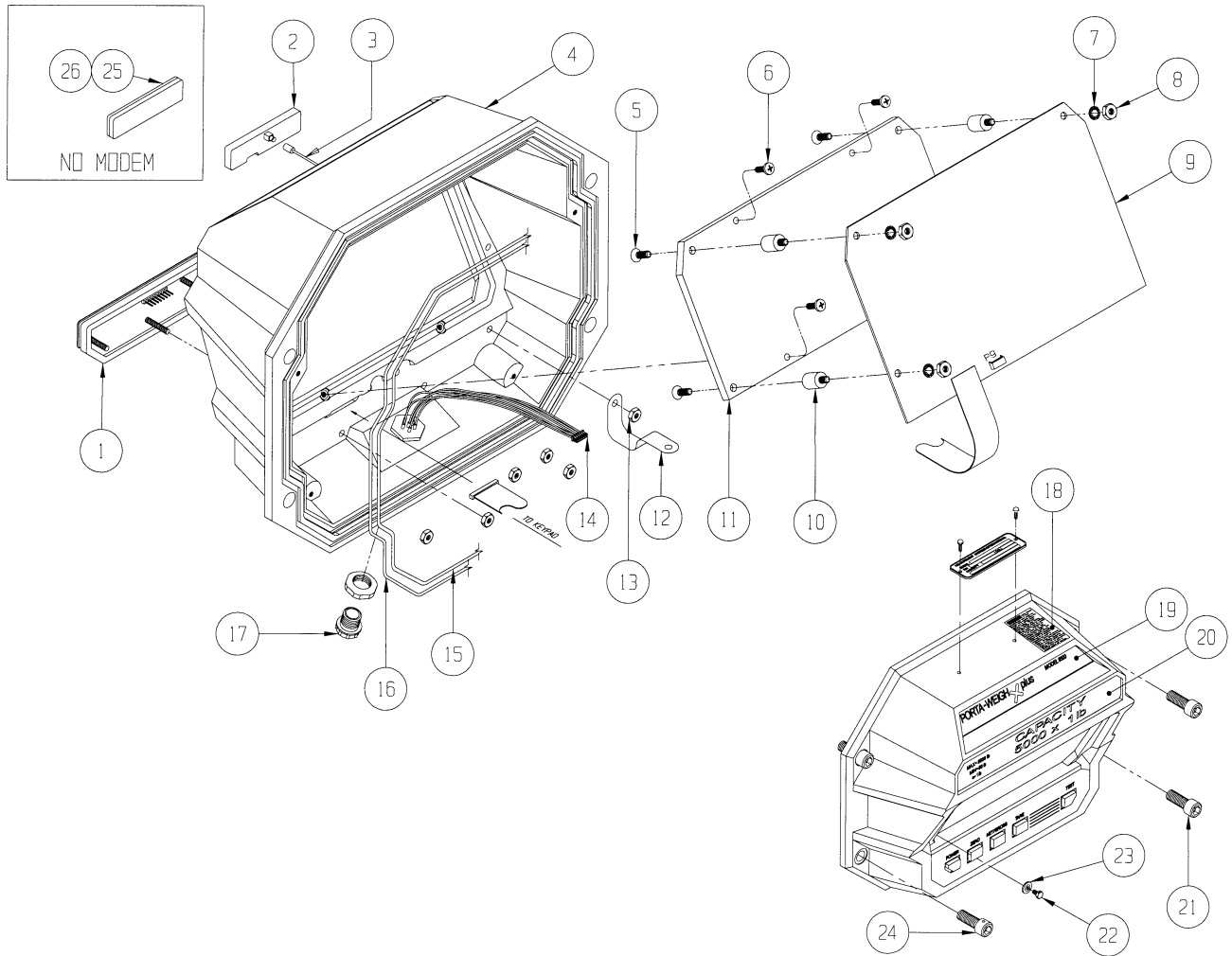
Part Number/Price

Item #	Part #	Description	Price
1	136324	Switch assembly	\$305.00
2	143454	Antenna housing with straight MMCX connector	\$105.00
3	148874	Cable assembly antenna	\$130.00
4	148824	Casting	\$455.00
5	54356	Screw, flat head, 8-32 x 3/8, Phillips, stainless steel	\$2.00
6	146604	Screw, pan head, 6-32 x 7/16, Phillips, stainless steel	\$0.75
7	15132	Washer internal tooth #8, stainless steel	\$1.50
8	65784	Nut, hex, 8-32, stainless steel	\$0.25
9	148700	PCA, LED display	\$525.00
10	142526	Shock mount flex, 8-32	\$16.00
11	148826	Window	\$170.00
12	139844	Ground strap	\$12.00
13	128445	Nut, hex, 6-32, stainless steel	\$0.10
14	148854	Cable assembly external comm	\$120.00
15	147997	O-ring, bulkhead	\$18.00
16	147996	O-ring, front/back	\$18.00
17	143352	Connector cap	\$3.00
18	148218	Label, warning	\$6.00
19	148867	Label, descriptive	\$49.00
20	Consult	Label, capacity	\$17.00
21	91869	Screw, socket head, 3/8-16 x 1, stainless steel	\$2.00
22	142574	Screw, pan head, 6-32 x 1/4, stainless steel	\$4.00
23	142299	Washer, seal	\$2.00
24	133598	Screw, 3/8-16 x 1, stainless steel, drilled	\$25.00
25	148902	Pad	\$7.00
26	148901	Filler plate	\$41.00

REPLACEMENT PARTS

MSI-9300

Front Casting Assembly



REPLACEMENT PARTS

MSI-9300

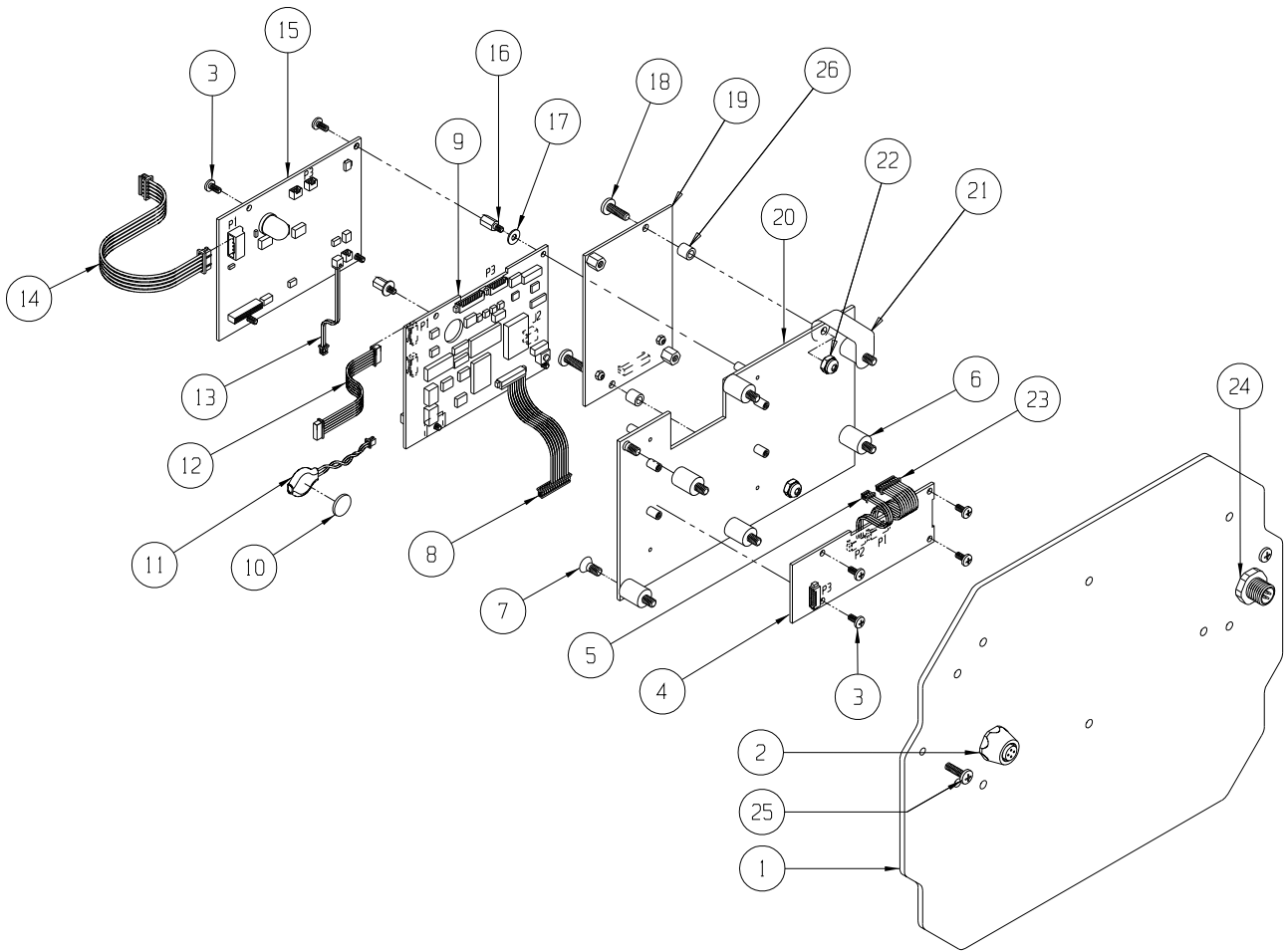
Series Bulkhead Assembly



Part Number/Price

Item #	Part #	Description	Price
1	149216	Bulkhead plate	\$99.00
2	148843	Cable assembly, load cell	\$120.00
3	128088	Screw, pan head, 4-40 x 1/4, Phillips, stainless steel	\$0.50
4	148548	PCA, high resolution A/D	\$380.00
5	148869	Cable assembly, A/D to power supply	\$31.00
6	142526	Shock mount	\$16.00
7	146567	Screw, flat head, 8-32 x 1/4, Phillips, stainless steel	\$0.75
8	149085	Cable assembly, controller to 2450 modem	\$70.00
9	148547	PCA, controller	\$580.00
10	148592	Pad adhesive, battery	\$10.00
11	137718	Battery assembly, 3V lithium	\$99.00
12	148852	Cable assembly, comm. internal	\$30.00
13	149320	Cable assembly, (Ethernet power)	\$24.00
14	148991	Cable assembly, electronics power	\$25.00
15	148982	PCA, power supply	\$435.00
16	143306	Standoff hex, .312 lg., 4-40 .188 M thd.	\$3.00
17	143384	Washer flat #4, stainless steel	\$2.00
18	146601	Screw, pan head, 6-32 x 1/4, Phillips, stainless steel	\$0.75
19	138304	PCA, with 2450 modem	\$645.00
20	148842	Bracket electronics front	\$70.00
21	139844	Ground strap	\$12.00
22	146627	Nut, hex, 6-32 nyloc, stainless steel	\$0.75
23	148612	Cable assembly, A/D, controller 8P	\$25.00
24	148856	Cable assembly, power battery	\$150.00
25	146604	Screw, 6-32 x 7/16, Phillips, stainless steel	\$0.75
26	144227	Spacer, 1/4 x 1/4, #6	\$3.00

REPLACEMENT PARTS



REPLACEMENT PARTS

MSI-9300

Mid-section Assembly 500 - 10,000 lb (S-beam Load Cell)



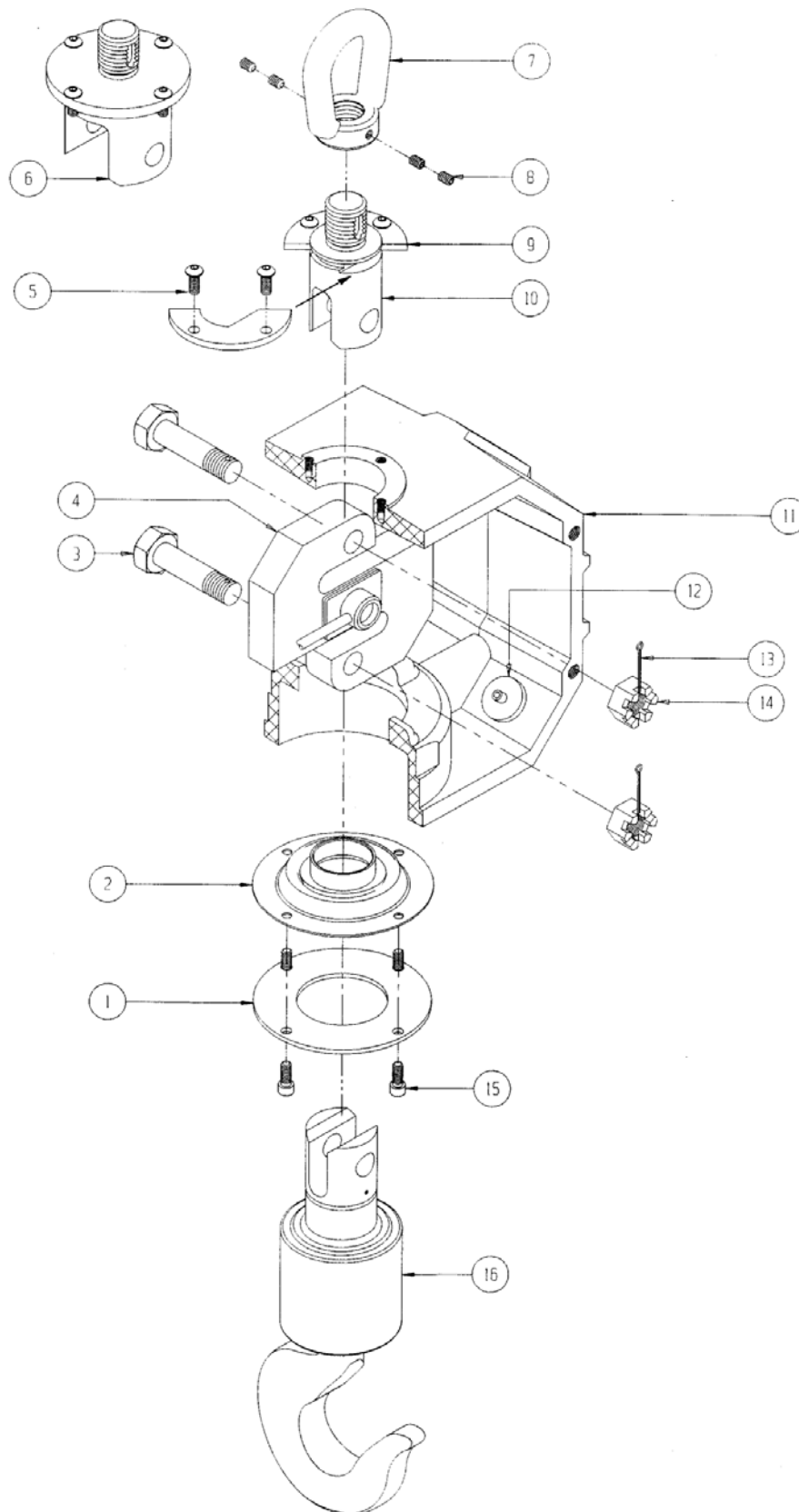
Part Number/Price

Item #	Part #	Description	Price
1	148259	Collar, 500/2K	\$47.00
1	149168	Collar, 5/10K	\$62.00
2	149710	Seal, 500/2K	\$47.00
2	149165	Seal, 5/10K	\$56.00
3	148457	Bolt, clevis, 500/2K	\$25.00
3	149217	Bolt, clevis, 5/10K	\$32.00
Not Shown	144878	Washer, flat, 5/8, must go with 5/10K bolt (4 places)	\$2.00
4	138661	Load cell assembly, 500	\$1,220.00
4	138662	Load cell assembly, 2K	\$1,220.00
4	138663	Load cell assembly, 5K	\$1,580.00
4	138664	Load cell assembly, 10K	\$1,710.00
5	72031	Screw, button head, 1/4-20 x 5/8, stainless steel	\$1.00
6	149126	Link, upper, 5/10K	\$415.00
7	139795	Eye nut, lifting, 500/2K	\$200.00
7	148225	Eye nut, lifting, 5/10K	\$265.00
8	128799	Screw set, 1/4-20 x 3/8, stainless steel	\$0.45
9	148274	Collar, top (2 pcs)	\$38.00/ea
10	148271	Link, upper, 500/2K	\$245.00
11	147884	Casting, mid section, 500/2K	\$485.00
11	149166	Casting, mid section, 5/10K	\$495.00
12	146322	Filter	\$9.00
13	15238	Cotter pin	\$1.10
14	142832	Nut	\$2.00
15	145990	Screw, SH, 1/4-20 x 5/8, stainless steel	\$2.00
16	135043	Hook assembly, swivel, 500/2,000 lb	\$1,630.00
	143236	Latch, safety (fits 500787-0001 hook with hole)	\$25.00
16	134523	Hook assembly, swivel, 5,000/10,000 lb	\$1,320.00
	143233	Latch, safety (fits 500297-0001 hook with hole)	\$40.00

REPLACEMENT PARTS

MSI-9300

Mid-section Assembly 500 - 10,000 lb (S-beam Load Cell)



REPLACEMENT PARTS

MSI-9300

Mid-section Assembly 500 - 10,000 lb



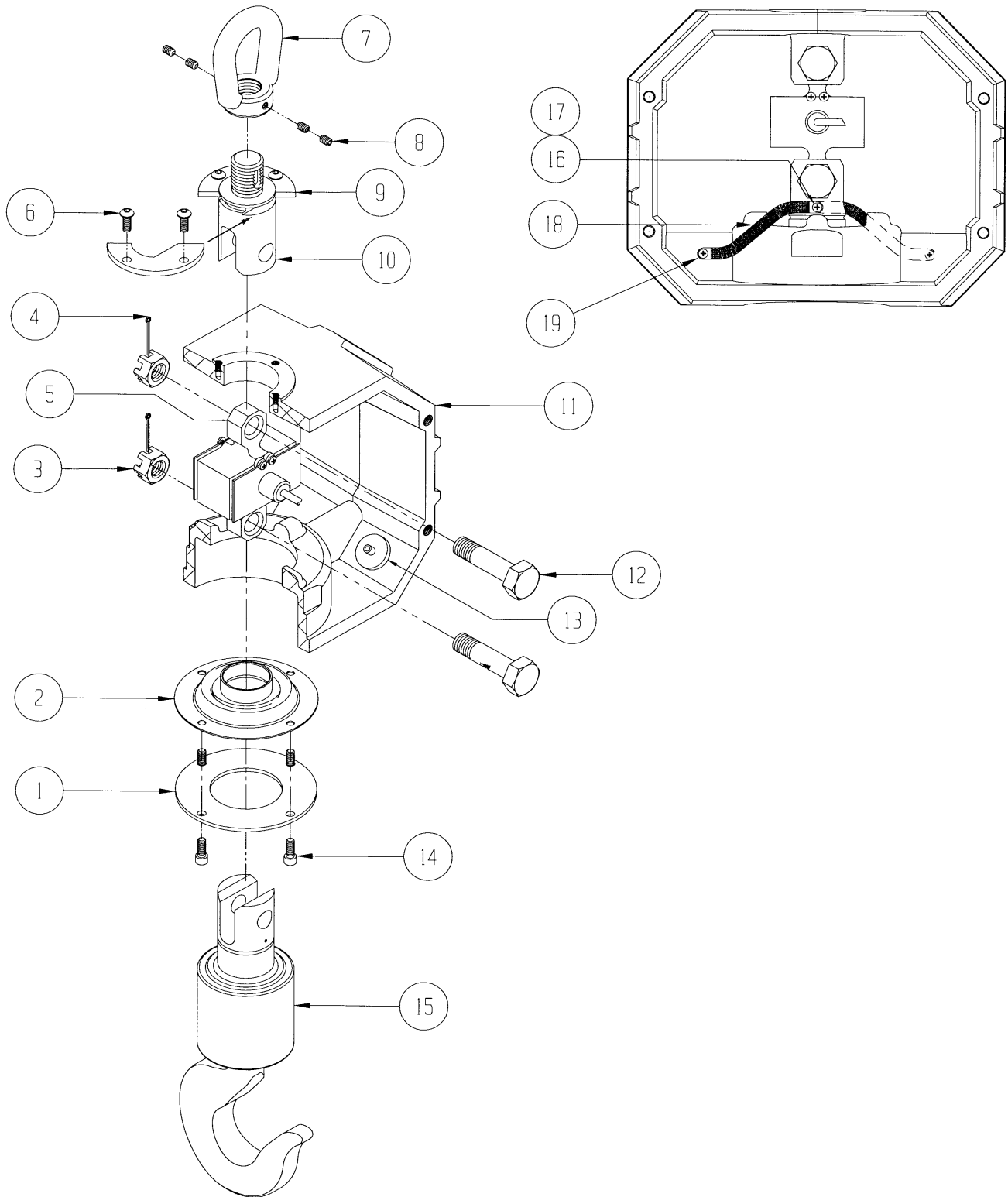
Part Number/Price

Item #	Part #	Description	Price
1	148259	Collar 500#/10,000 lbs	\$47.00
2	149710	Seal	\$47.00
3	142832	Nut, hex, 5.8-11	\$2.00
4	15238	Cotter pin 1/8 x 1, stainless steel	\$1.10
5	137759	Load cell assembly, 500 lb	Consult
5	137760	Load cell assembly, 2,000 lb	\$1,580.00
5	137761	Load cell assembly, 5,000 lb	\$1,580.00
5	137762	Load cell assembly, 10,000 lb	\$1,710.00
6	72031	Screw, button head, 1/4-20 x 5/8, stainless steel, socket	\$1.00
7	139795	Eye, lifting 500/2,000 lb	\$200.00
7	148225	Eye, lifting 5,000/10,000 lb	\$265.00
8	128799	Screw set, 1/4-20 x 3/8, stainless steel	\$0.45
9	148274	Collar, top (2 pcs)	\$38.00/ea
10	148271	Link, upper	\$245.00
11	147884	Casting	\$485.00
12	148457	Bolt	\$25.00
13	146322	Filter	\$9.00
14	145990	Screw, socket head, 1/4-20 x 5/8, stainless steel	\$2.00
15	135043	Hook assembly, swivel, 500/2,000 lb	\$1,630.00
	143236	Latch, safety (fits 500787-0001)	\$25.00
15	134521	Hook assembly, swivel, 5,000/10,000 lb	\$1,280.00
	143233	Latch, safety (fits 500297-0001)	\$40.00
16	146601	Screw, pan head 6-32 x 1/4, Phillips, stainless steel	\$0.75
17	81280	Washer internal tooth #6	\$1.00
18	139843	Ground strap	\$13.00
19	146101	Screw, pan head, 6-32 x 3/16, Phillips, stainless steel	\$0.75

REPLACEMENT PARTS

MSI-9300

Mid-section Assembly 500 - 10,000lb



REPLACEMENT PARTS

MSI-9300

Mid-section Assembly 20,000 lb and 30,000 lb



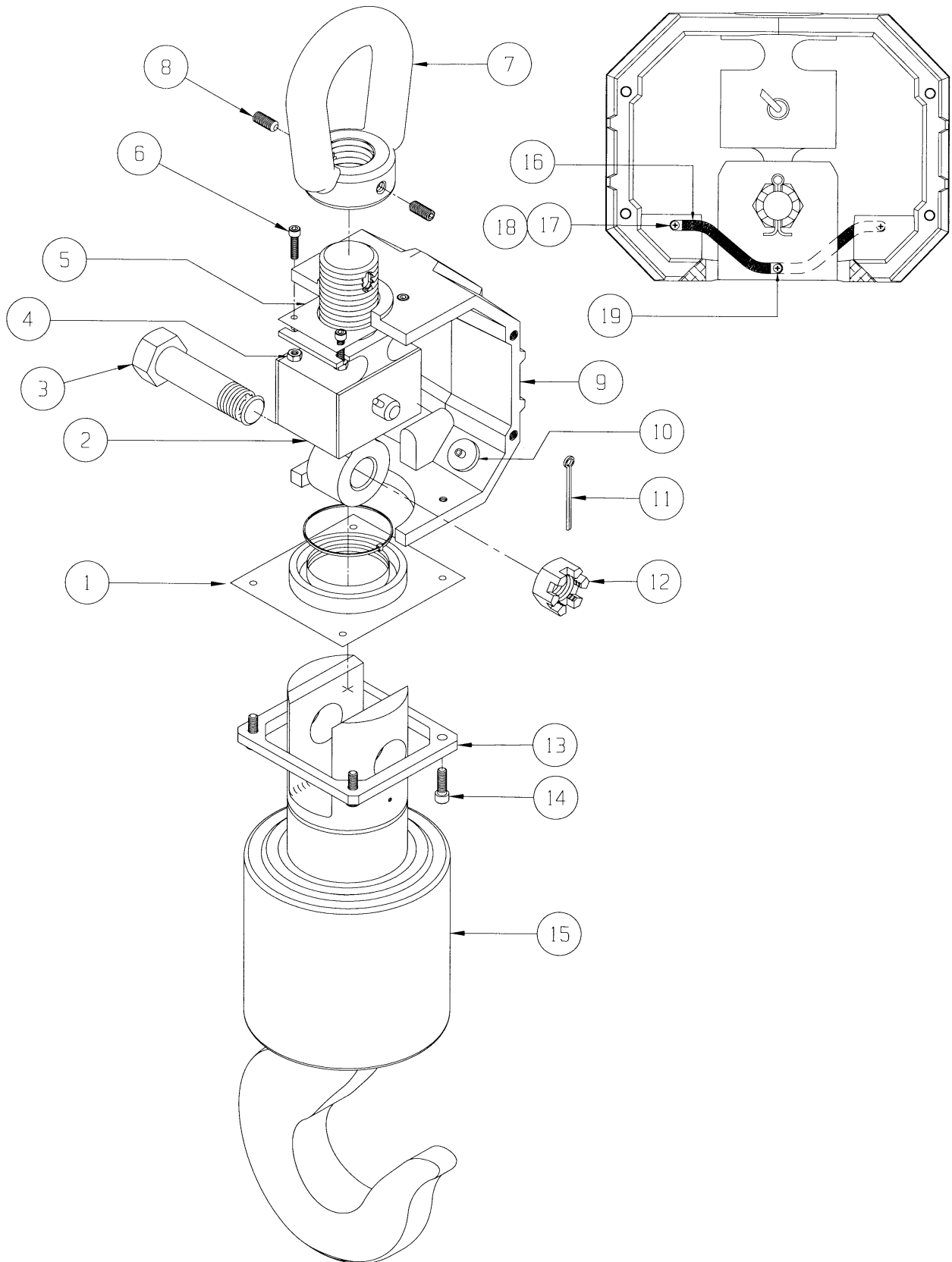
Part Number/Price

Item #	Part #	Description	Price
1	148048	Seal	\$200.00
2	137763	Load cell assembly	\$2,150.00
3	148458	Bolt	\$82.00
4	146631	Nut, hex, 1/4-20, nyloc, stainless steel	\$2.00
5	149976	Gasket	\$5.00
6	81405	Screw, socket head, 1/4-20 x 1, stainless steel	\$1.00
7	148110	Eye, lifting	\$610.00
8	146081	Screw set, 3/8-24 x 3/4, cut point, stainless steel	\$2.00
9	147882	Casting	\$465.00
10	146322	Filter	\$9.00
11	142186	Cotter pin, 3/16 x 2, stainless steel	\$2.00
12	142833	Nut, hex, 1.125 - 7	\$11.00
13	147976	Collar	\$68.00
14	145995	Screw, socket head, 5/16-18 x 1, stainless steel	\$2.00
15	134938	Hook assembly, swivel, 20,000 lb	\$2,680.00
	110661	Latch, safety (fits 500729-0001)	\$42.00
15	134939	Hook assembly, swivel, 30,000 lb	\$3,480.00
	143235	Latch, safety (fits 500729-0002)	\$110.00

REPLACEMENT PARTS

MSI-9300

Mid-section Assembly 20,000 lb and 30,000 lb



REPLACEMENT PARTS

MSI-9300

Mid-section Assembly 50,000 lb and 70,000 lb



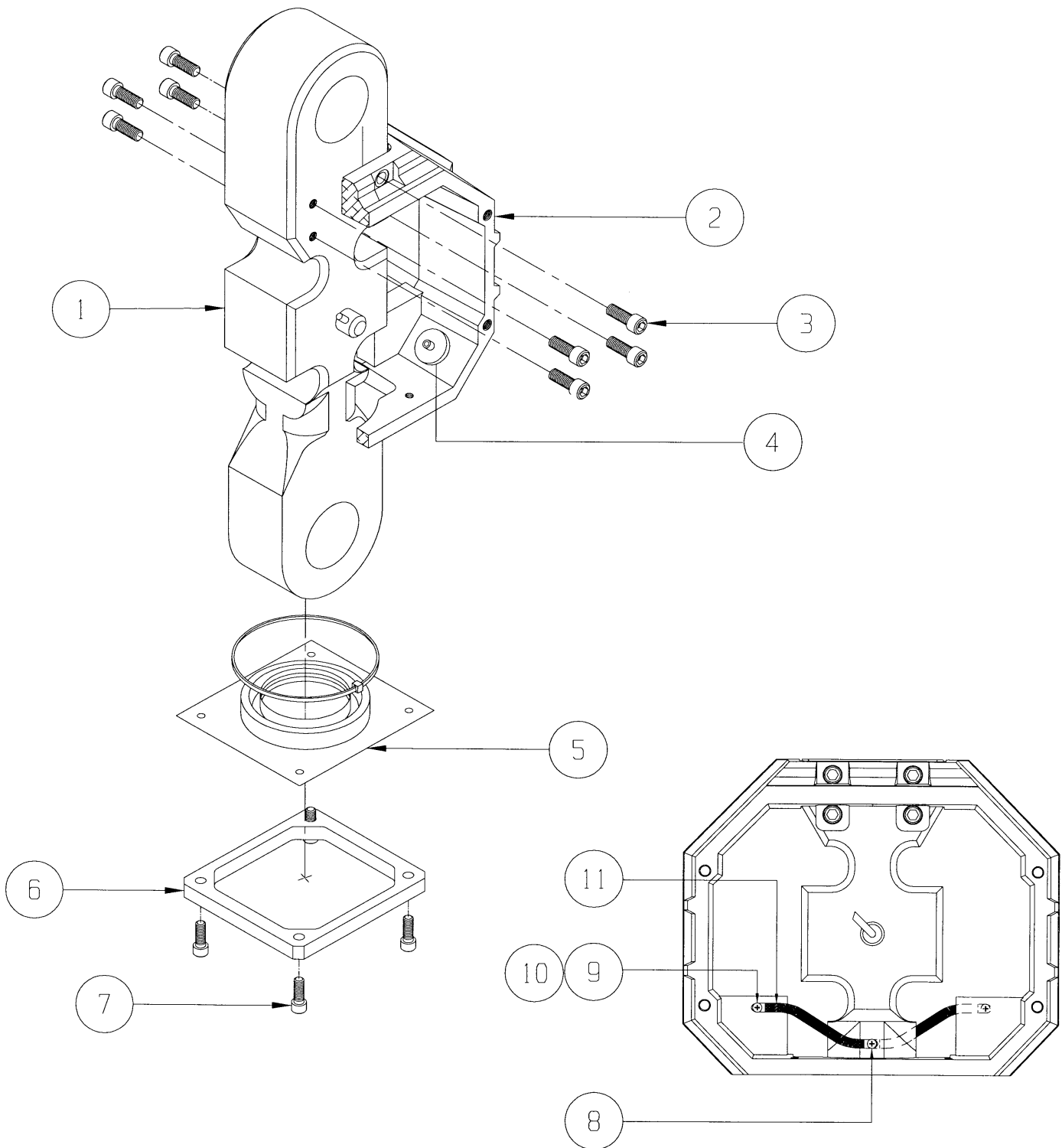
Part Number/Price

Item #	Part #	Description	Price
1	137764	Load cell assembly	\$5,120.00
2	147974	Casting	\$505.00
3	91869	Screw, socket head, 3/8-16 x 1, stainless steel	\$2.00
4	146322	Filter	\$9.00
5	148048	Seal	\$200.00
6	147976	Collar	\$68.00
7	145995	Screw, socket head, 5/16-18 x 1, stainless steel	\$2.00
8	146601	Screw, pan head, 6-32 x 1/4, Phillips, stainless steel	\$0.75
9	81280	Washer Internal tooth #6, stainless steel	\$1.00
10	146101	Screw, pan head, 6-32 x 3/16, Phillips, stainless steel	\$0.75
11	139843	Ground strap	\$13.00
Not Shown	151356	Shackle, 25T, 50,000 lb	Consult
Not Shown	146335	Shackle, 40T, 70,000 lb	Consult
Not Shown	135035	Hook, swivel, 50,000 lb	\$8,060.00
	142179	Latch, safety (fits 500782-0001 hook)	\$150.00
Not Shown	135036	Hook, swivel, 70,000 lb	\$11,290.00
	142180	Latch, safety (fits 500782-0002 hook)	\$200.00

REPLACEMENT PARTS

MSI-9300

Mid-section Assembly 50,000 lb and 70,000 lb



REPLACEMENT PARTS

MSI-9300

Battery Casting Assembly



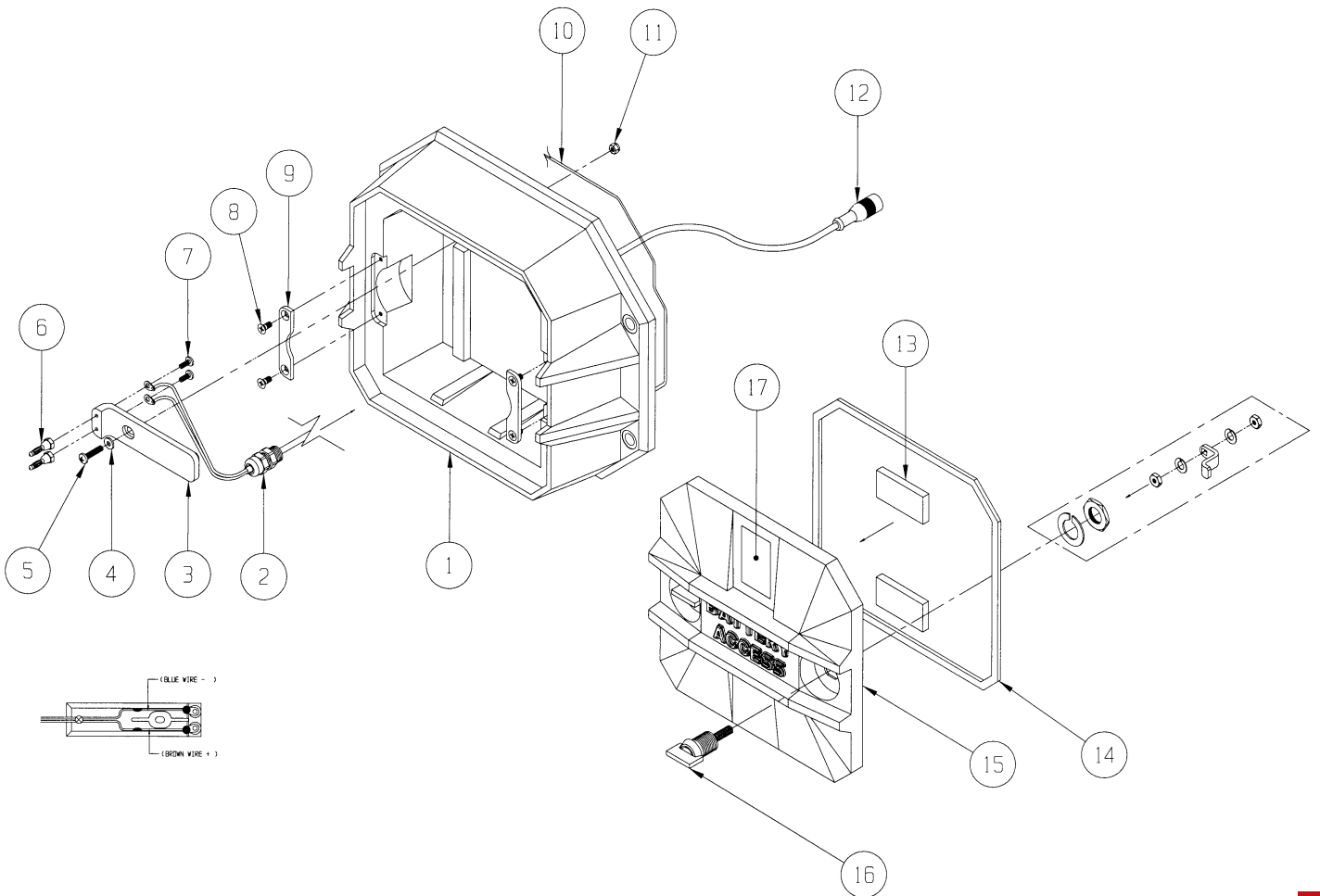
Part Number/Price

Item #	Part #	Description	Price
1	148878	Casting	\$435.00
2	141593	Connector, feed through, with nut	\$7.00
3	150073	Connector, battery	\$25.00
4	55124	Washer flat #6, stainless steel	\$0.50
5	127036	Screw, pan head, 6-32 x 3/4, Phillips, stainless steel	\$3.00
6	147825	Plug, banana	\$11.00
7	146603	Screw, pan head, 6-32 x 3/8, Phillips, stainless steel	\$0.75
8	54356	Screw, flat head, 8-32 x 3/8, Phillips, stainless steel	\$2.00
9	148857	Plate, catch battery door	\$49.00
10	147996	O-Ring	\$18.00
11	146627	Nut, hex, 6-32, Nyloc, stainless steel	\$0.75
12	137755	Cable assembly battery	\$150.00
13	148882	Pad, 1 x 2.25 with adhesive	\$2.00
14	148858	Gasket, casting door	\$13.00
15	148855	Casting	\$265.00
16	143883	Latch, compression 1/4 to 3/8	\$44.00
17	137803	Label, warning	\$36.00
*	137757	Door assembly	\$390.00
*	137754	Rear well assembly	\$895.00

REPLACEMENT PARTS

MSI-9300

Battery Casting Assembly



REPLACEMENT PARTS

MSI-9300

Universal Battery Charger



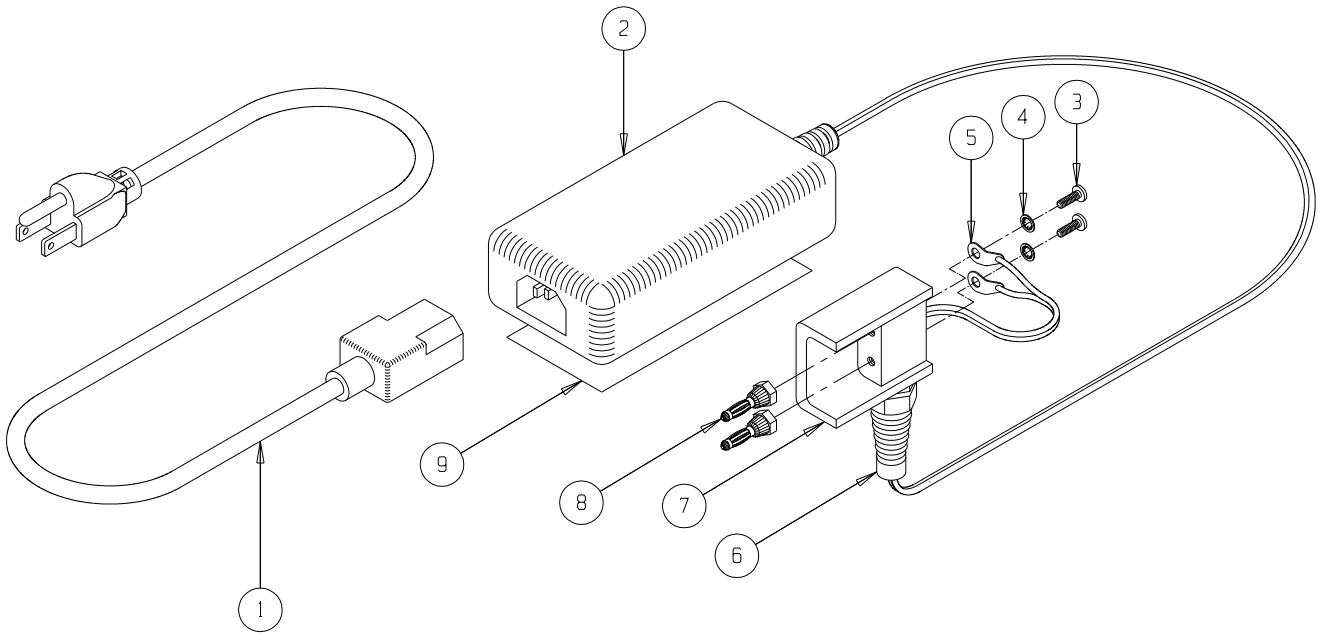
Part Number/Price

Item #	Part #	Description	Price
1	143974	Power cord, North America	\$32.00
1	143981	Power cord, United Kingdom (not shown)	\$73.00
1	143979	Power cord, European (not shown)	\$62.00
1	143980	Power cord, Australian (not shown)	\$73.00
2	144890	Universal power adapter	\$140.00
3	146603	Screw, RH 6-32 x 3/8, Std., stainless steel	\$0.75
4	81280	Washer internal tooth #6, stainless steel	\$1.00
5	141635	Lug, solder #6, copper	\$2.00
6	144936	Feed through	\$6.00
7	149434	Housing battery plug	\$44.00
8	147825	Plug, banana	\$11.00
9	139369	Label, descriptive 12V	\$13.00
	138006	Universal battery charger 115/230 VAC, 50/60 Hz (North American plug configuration is standard; contact factory if alternate is required)	\$330.00

REPLACEMENT PARTS

MSI-9300

Universal Battery Charger



REPLACEMENT PARTS

MSI-9600HT

Front Casting Assembly



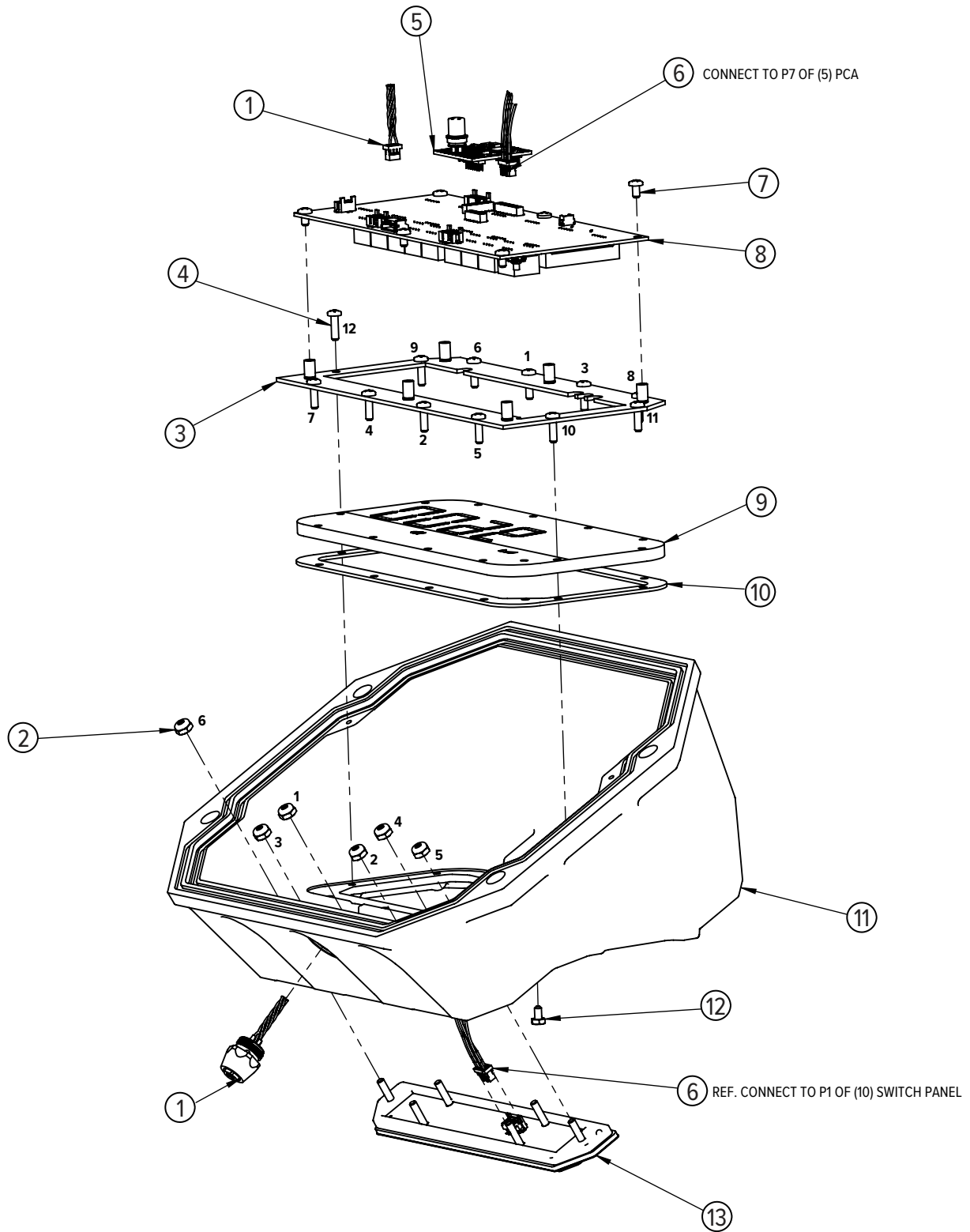
Part Number/Price

Item #	Part #	Description	Price
1	139449	Cable assembly, communication serial data RS-232	\$53.00
2	146627	Nut, hex 6-32 nyloc stainless steel	\$0.75
3	213965	Bracket, display PCA	Consult
4	146605	Screw, pan head 6-32 x 12 Phillips head stainless steel	\$0.75
5	153429	PCA ScaleCore3 1 channel with turck insert - controlled	\$265.00
6	214142	Cable assembly switch	\$27.00
7	144537	Screw, lkg pch pan head 6-32 x 1/4 Phillips stainless steel	\$0.75
8	212425	PCA LED display	\$660.00
9	213973	Window, ND gray	Consult
10	214763	Gasket, display window	Consult
11	213628	Casting front machined	\$400.00
12	142574	Screw hex head stainless steel blk 6-32 1/4	\$4.00
13	213678	Switch panel assembly	\$205.00

REPLACEMENT PARTS

MSI-9600HT

Front Casting Assembly



REPLACEMENT PARTS

MSI-9600HT

Bulkhead Assembly



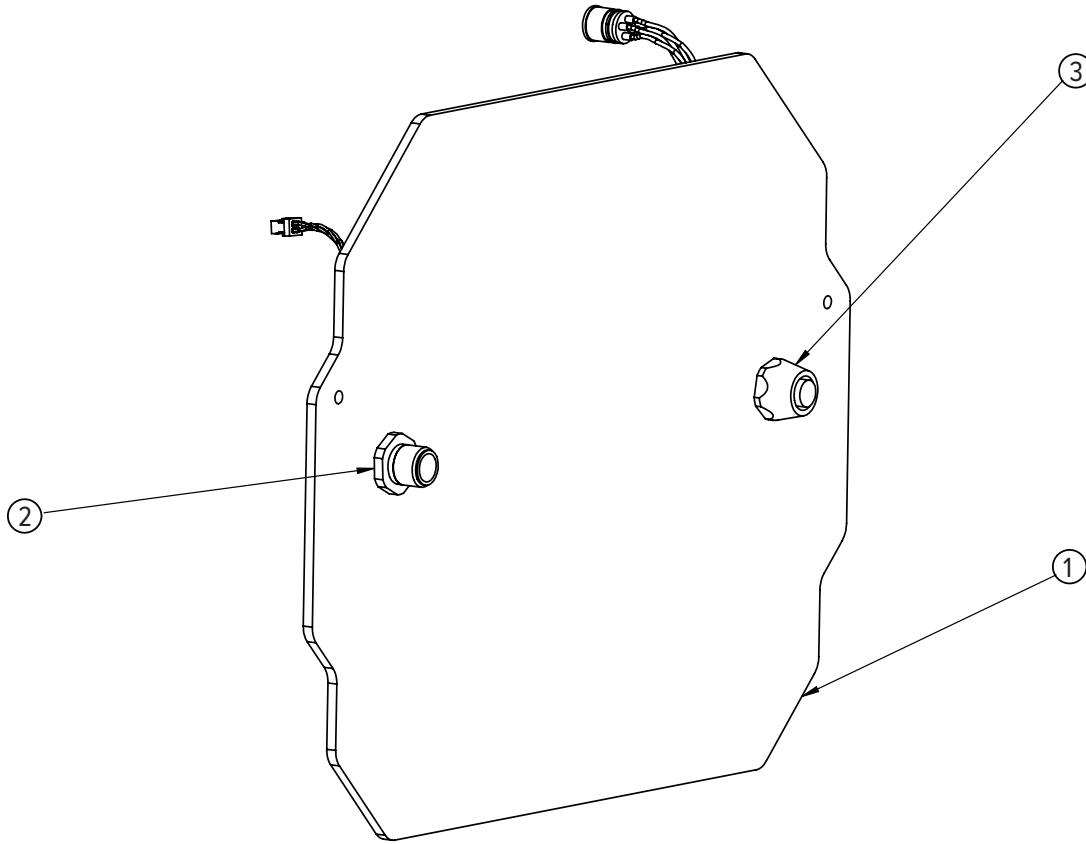
Part Number/Price

Item #	Part #	Description	Price
1	214089	Bulkhead front casting	Consult
2	139472	Cable assembly, bulkhead power 12.0 in	\$47.00
3	139471	Cable assembly, bulkhead load cell 12.0 in	\$63.00

REPLACEMENT PARTS

MSI-9600HT

Bulkhead Assembly



REPLACEMENT PARTS

MSI-9600HT

Mid-section Assembly 10,000 lb



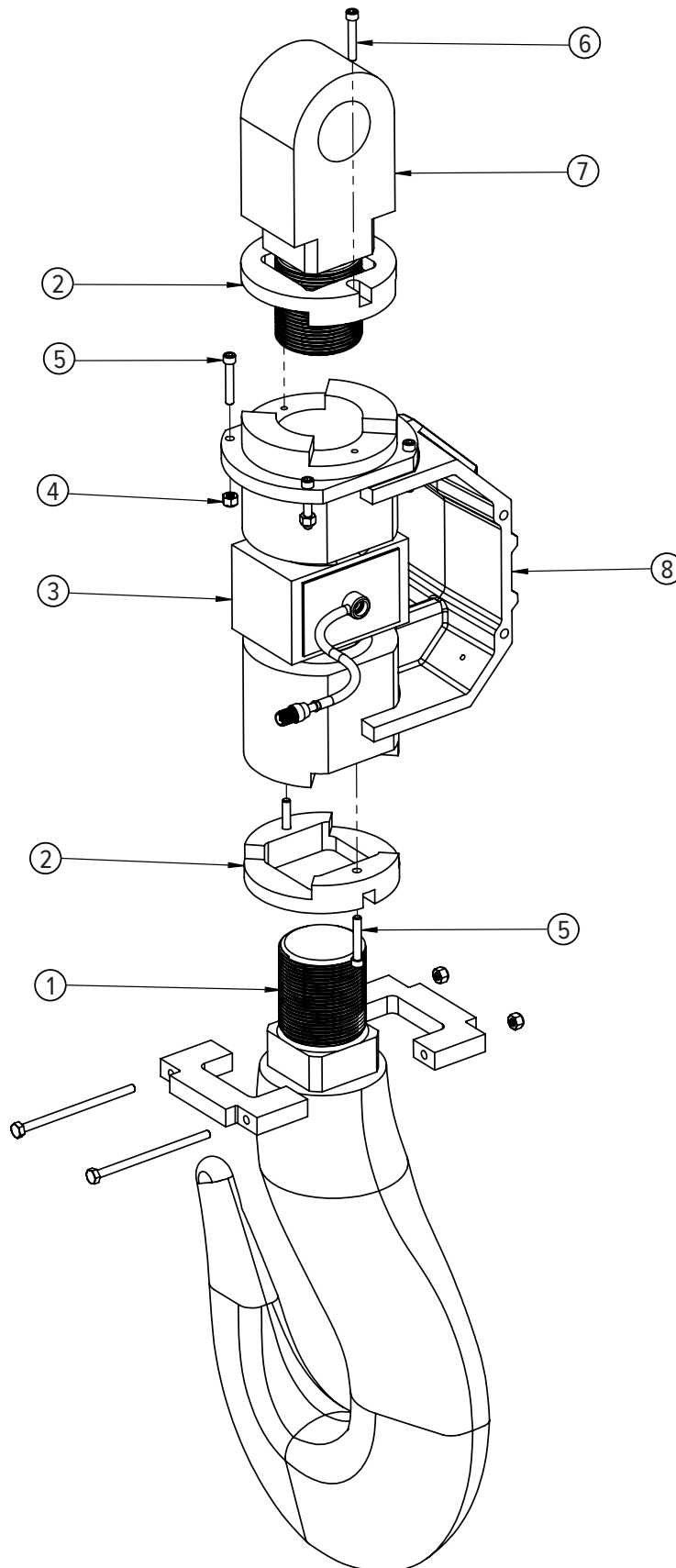
Part Number/Price

Item #	Part #	Description	Price
1	138220	Hook, machined, torque	\$1,530.00
2	148994	Collar, torque resistant	\$465.00
3	138147	Load cell assembly, torque	\$3,050.00
4	109955	Screw, socket head, 1/4-20 x 3/4, stainless steel	\$1.00
5	148995	Lug, upper, torque	\$1,390.00
6	148964	Casting, mid-section, machined	\$610.00
Not Shown	143233	Latch, safety kit	\$40.00

REPLACEMENT PARTS

MSI-9600HT

Mid-section Assembly 10,000 lb



REPLACEMENT PARTS

MSI-9600HT

Mid-section Assembly 30,000 lb



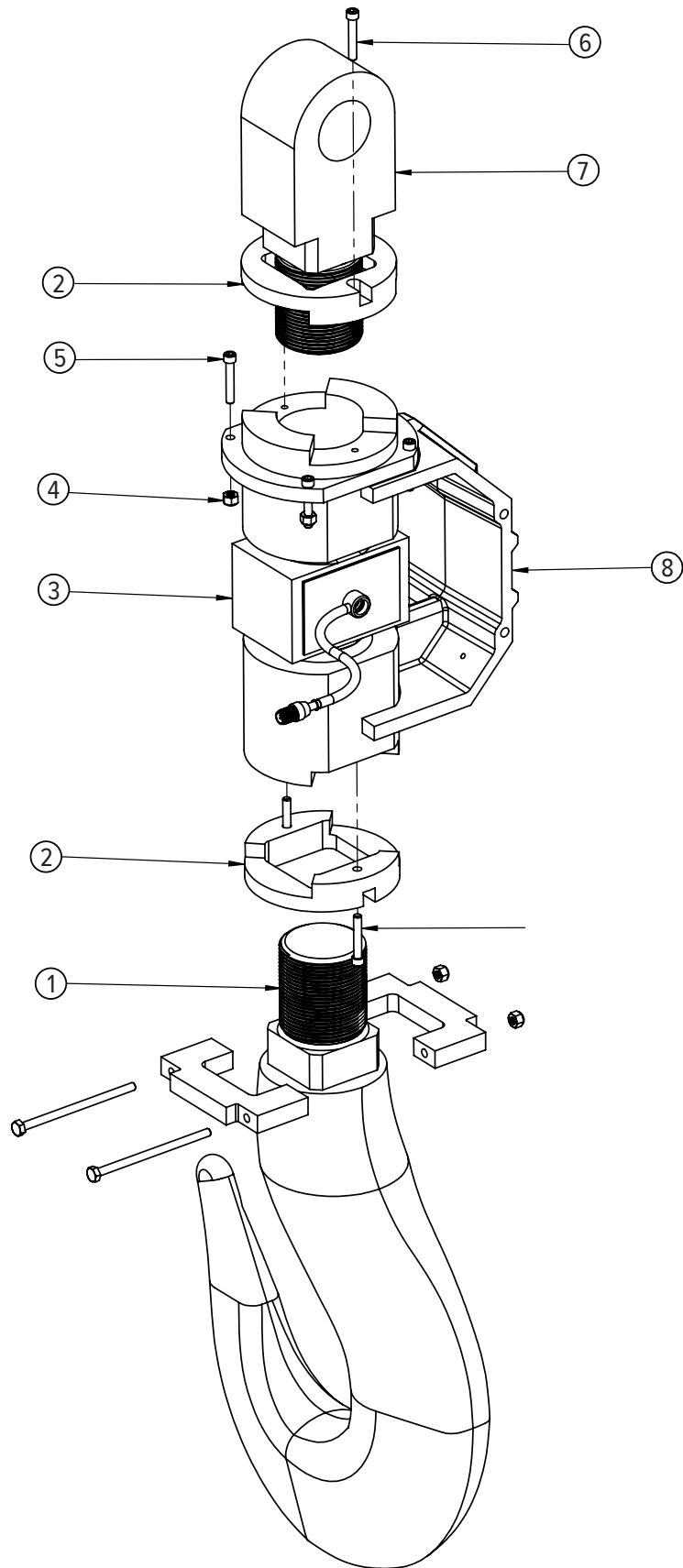
Part Number/Price

Item #	Part #	Description	Price
1	137813	Hook, machined, torque	\$2,310.00
2	148865	Collar, torque resistant	\$570.00
3	138145	Load cell assembly, torque	\$4,190.00
4	109955	Screw, socket head, 1/4-20 x 3/4, stainless steel	\$1.00
5	149037	Lug, 30K torque resistant	\$1,820.00
6	148963	Casting, mid-section, machined	\$610.00
Not Shown	143235	Latch, safety kit	\$110.00

REPLACEMENT PARTS

MSI-9600HT

Mid-section Assembly 30,000lb



REPLACEMENT PARTS

MSI-9600HT

Mid-section Assembly 70,000 lb



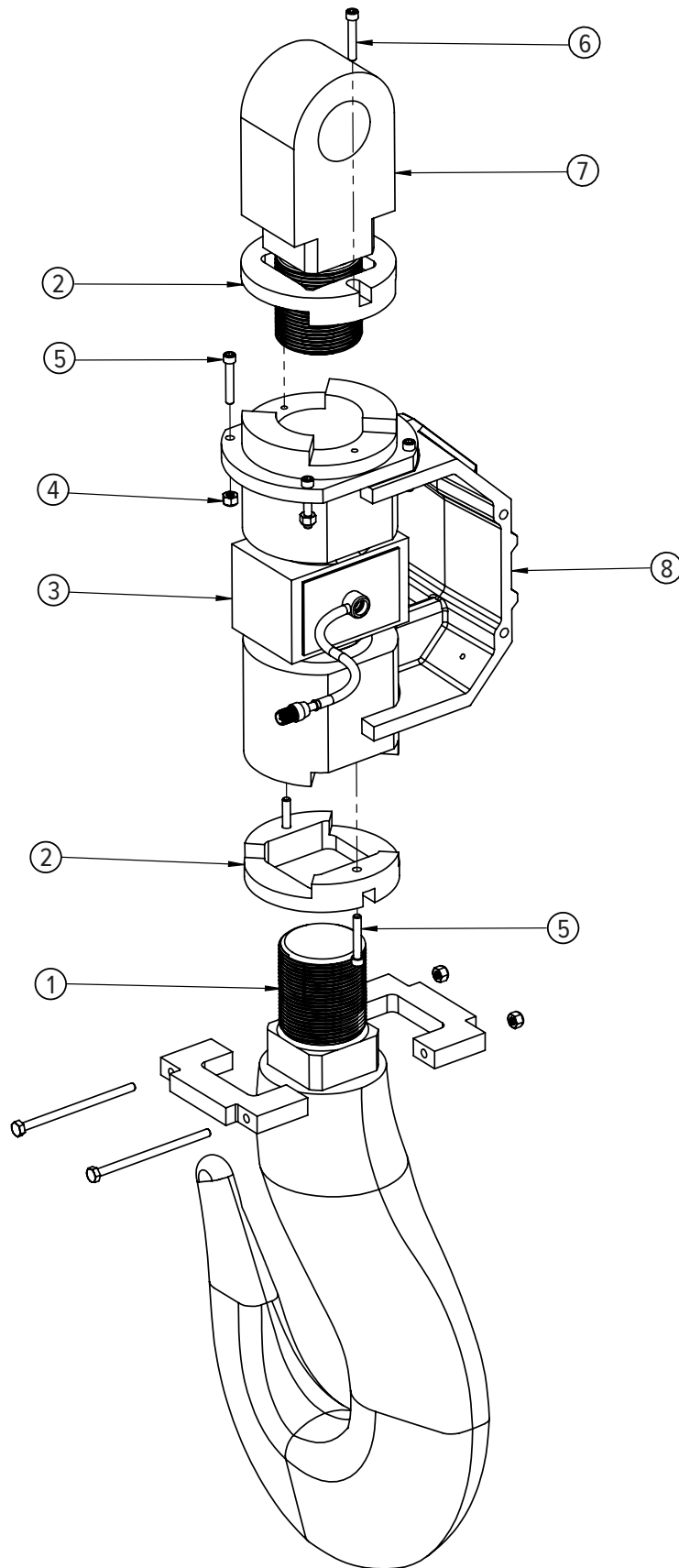
Part Number/Price

Item #	Part #	Description	Price
1	138142	Hook, machined, torque	Contact Factory
2	148960	Collar, torque resistant	\$620.00
3	138146	Load cell assembly, torque	\$4,520.00
4	146631	Nut, hex, 1/4-20 nyloc, stainless steel	\$2.00
5	117599	Screw, socket head, 1/4-20 x 1-1/2	\$1.50
6	109955	Screw, socket head, 1/4-20 x 3/4, stainless steel	\$1.00
7	149018	Lug, 70K torque resistant	\$1,780.00
8	138149	Casting, mid-section, machined	\$675.00
Not Shown	142180	Latch, safety kit	\$200.00

REPLACEMENT PARTS

MSI-9600HT

Mid-section Assembly 70,000lb



REPLACEMENT PARTS

MSI-9600HT

Back Assembly



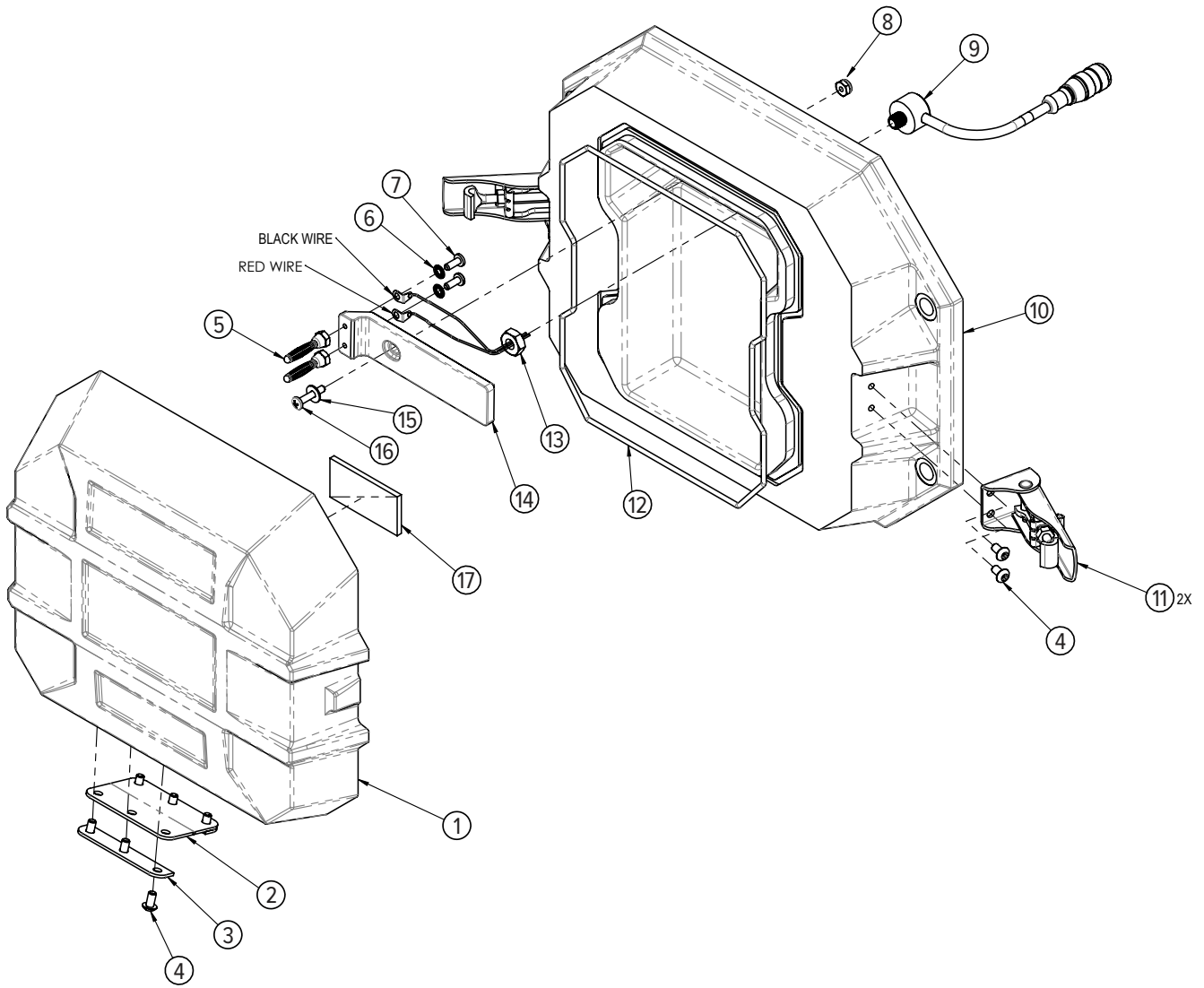
Part Number/Price

Item #	Part #	Description	Price
1	193557	Casting, rear cover, 12V, machined	\$275.00
2	149719	Fastener battery door	\$10.00
3	149718	Plate aluminum battery	\$13.00
4	213050	Screw, button head 8-32 x 5/16 stainless steel (T15) torx drive	\$2.00
5	147825	Plug banana jack	\$11.00
6	81280	Washer, lock no 6 type A	\$1.00
7	146603	Screw, pan head 6-32 x 3/8 Phillips stainless steel	\$0.75
8	146627	Nut, hex 6-32 nyloc stainless steel	\$0.75
9	214737	Cable assembly power 12 in	Consult
10	204844	Casting rear 12V SLA machined	\$400.00
11	145934	Latch camloc	\$38.00
12	149723	O-ring assembly batter well casting	\$13.00
13	146661	Nut, hex 5/16-18 jam stainless stell	\$2.00
14	169440	Connector block 12V battery casting intrinsically safe	Consult
15	55124	Washer, flat #6 cres	\$0.50
16	127036	Screw, 6-32 x 3/4 Phillips pan head 18-8 stainless steel	\$3.00
17	146640	Pad poron 2.0 x 1.0	\$3.00

REPLACEMENT PARTS

MSI-9600HT

Back Assembly



REPLACEMENT PARTS

MSI-6260CS

Front Casting Assembly



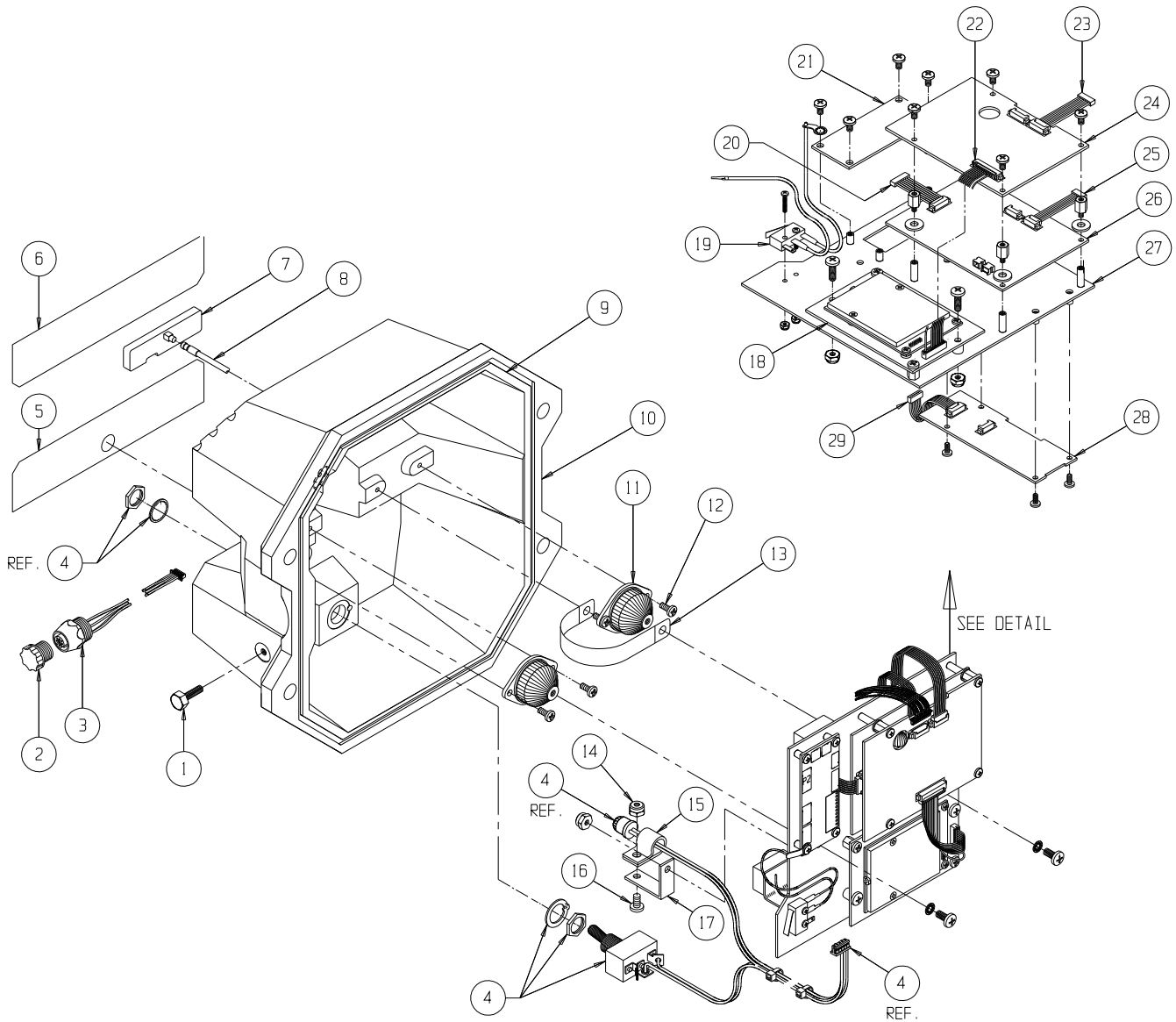
Part Number/Price

Item #	Part #	Description	Price
1	142591	Screw, seal, 8-32 x .4375 stainless steel	\$23.00
2	143352	Closure cap, connector, male	\$3.00
3	148733	Connector assembly, serial I/O interface	\$285.00
4	137819	Switch, LED assembly	\$225.00
5	148689	Label, descriptive	\$56.00
6	150094	Label, descriptive	\$25.00
7	143454	Antenna, 2.4 Ghz	\$105.00
8	148691	Cable assembly, RF antenna	\$160.00
9	149724	O-Ring	\$13.00
10	150421	Casting	\$435.00
11	143688	Shock mount	\$38.00
12	146602	Screw, 6-32 x 5/16 pan head, stainless steel	\$0.75
13	139844	Ground strap	\$12.00
14	146627	Nut, Hex, 8-32 nyloc, stainless steel	\$0.75
15	143075	Clamp, cable	\$2.00
16	146608	Screw, 8-32 x 7/16, pan head, stainless steel	\$0.50
17	143076	Bracket angel	\$25.00
18	138304	PCA with 2450 modem	\$645.00
19	138609	Cable assembly cal switch	\$49.00
20	148990	Cable assembly power supply to adapter	\$44.00
21	137519	PCA, connector adapter	\$225.00
22	149085	Cable assembly, micro-controller	\$70.00
23	148614	Cable assembly, A/D micro-controller	\$44.00
24	148547	PCA, micro-controller	\$580.00
25	148869	Cable assembly, A/D to power supply	\$31.00
26	148982	PCA, wide input power supply	\$435.00
27	148676	Mounting plate, electronic assembly	\$61.00
28	148548	PCA, high resolution A/D	\$380.00
29	148872	Cable assembly, A/D to adapter	\$82.00

REPLACEMENT PARTS

MSI-6260CS

Front Casting Assembly



REPLACEMENT PARTS

MSI-6260CS

Midsection Assembly (500 - 10,000 lb) (S-Beam Load Cells)



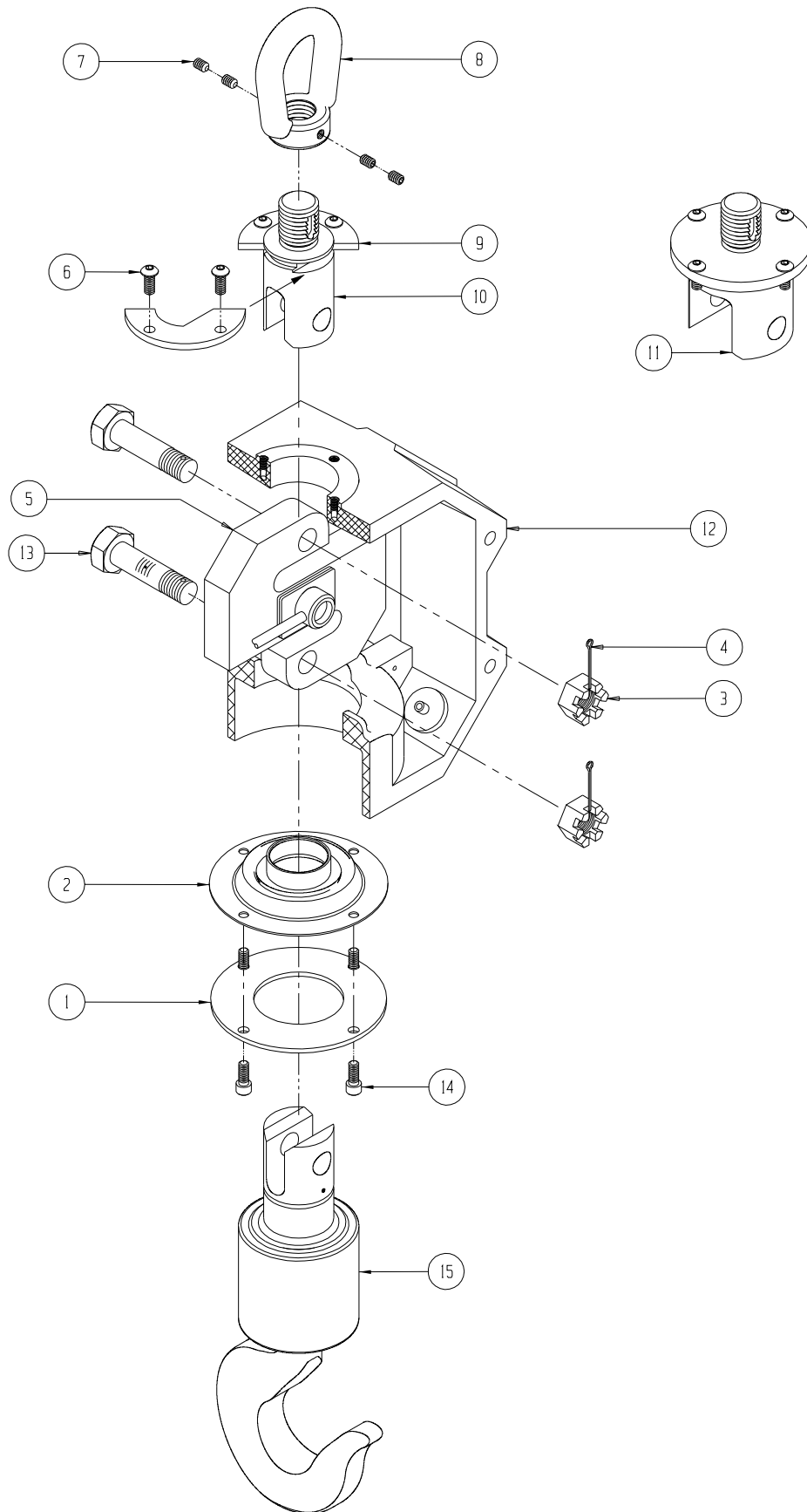
Part Number/Price

Item #	Part #	Description	Price
1	148259	Collar, 500/2K	\$47.00
1	149168	Collar, 5/10K	\$62.00
2	149710	Seal, 500/2K	\$47.00
2	149165	Seal, 5/10K	\$56.00
3	142832	Nut, hex	\$2.00
4	15238	Cotter pin	\$1.10
5	138665	Load cell assembly, 500	\$1,220.00
5	138666	Load cell assembly, 2K	\$1,220.00
5	138667	Load cell assembly, 5K	\$1,580.00
5	138668	Load cell assembly, 10K	\$1,710.00
6	72031	Screw, button head, 1/4-20 x 5/8, stainless steel	\$1.00
7	128799	Screw set, 1/4-20 x 3/8, stainless steel	\$0.45
8	139795	Eye nut, lifting, 500/2K	\$200.00
8	148225	Eye nut, lifting 5/10K	\$265.00
9	148274	Collar, top (2 pcs.)	\$38.00
10	148271	Link, upper, 500/2K	\$245.00
11	149126	Link, upper, 5/10K	\$415.00
12	150519	Casting, mid section, 500/2K	\$560.00
12	149175	Casting, mid section, 5/10K	\$340.00
13	148457	Bolt, clevis, 500/2K	\$25.00
13	149217	Bolt, clevis, 5/10K	\$32.00
Not Shown	144878	Washer, flat 5/8, must go with 5/10K bolt (4 places)	\$2.00
14	145990	Screw, socket head, 1/4-20 x 5/8, stainless steel	\$2.00
15	135043	Hook assembly, swivel, 500/2K	\$1,630.00
	143236	Latch, safety (fits 500787-0001 hook with hole)	\$25.00
15	134523	Hook assembly, swivel, 5/10K	\$1,320.00
	143233	Latch, safety (fits 500297-0001 hook with hole)	\$40.00

REPLACEMENT PARTS

MSI-6260CS

Midsection Assembly (500 - 10,000 lb) (S-Beam Load Cells)



REPLACEMENT PARTS

MSI-6260CS

Midsection Assembly (500 - 10,000 lb)



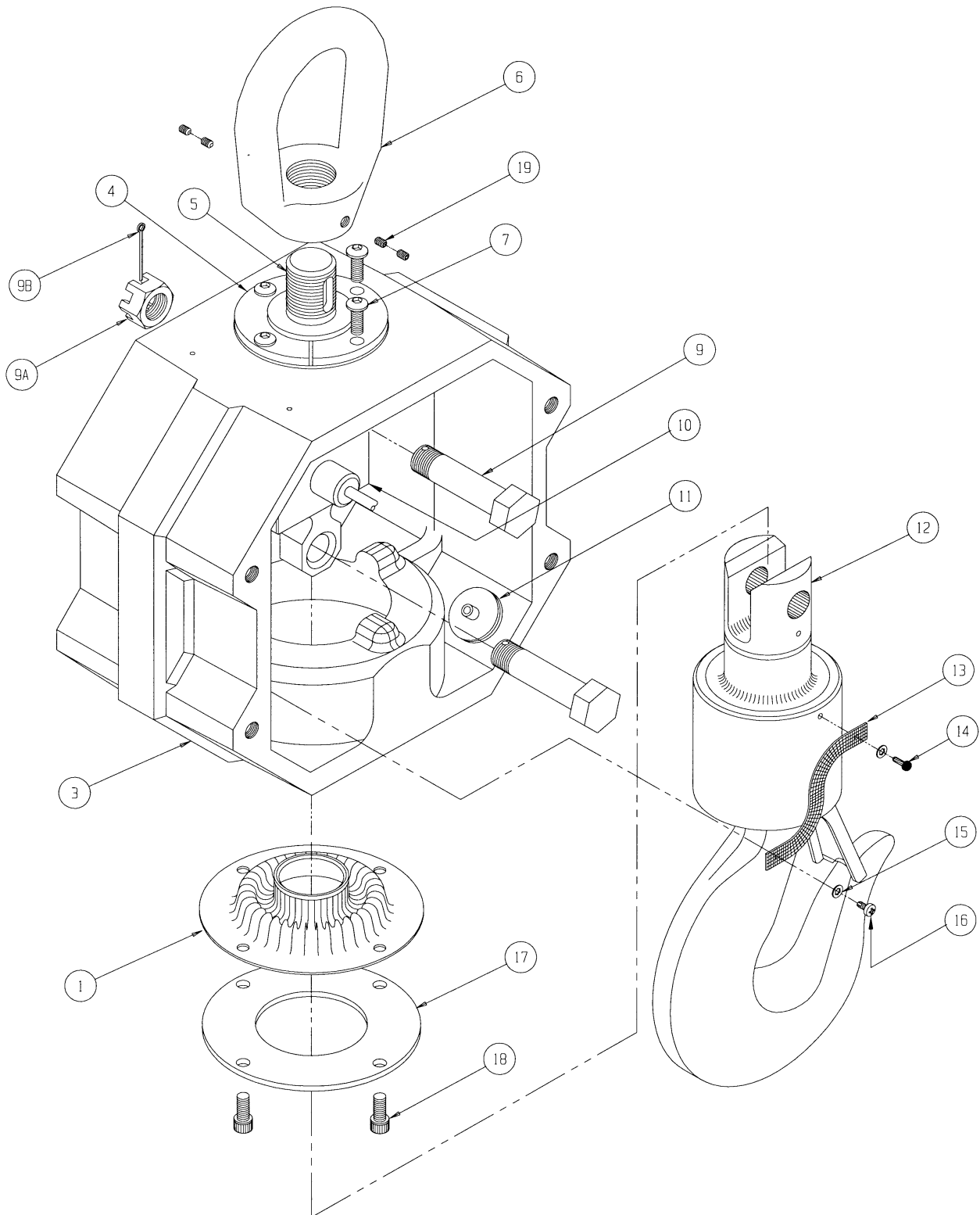
Part Number/Price

Item #	Part #	Description	Price
1	149710	Seal, lower	\$47.00
3	150519	Casting	\$560.00
4	148274	Collar, top (2 pcs.)	\$38.00
5	148271	Link, upper	\$245.00
6	139795	Eye, lifting 500/2,000 lb	\$200.00
6	148225	Eye, lifting 5,000/10,000 lb	\$265.00
7	72031	Screw, button head, 1/4-20 x 5/8, stainless steel	\$1.00
9	148457	Bolt, clevis	\$25.00
9A	142832	Nut, hex	\$2.00
9B	15238	Cotter pin	\$1.10
10	140003	Load cell assembly, 500 lb	Consult
10	141198	Load cell assembly, 2,000 lb	\$1,580.00
10	141199	Load cell assembly, 5,000 lb	\$1,580.00
10	141200	Load cell assembly, 10,000 lb	\$1,710.00
11	146322	Filter	\$9.00
12	135043	Hook assembly, swivel, 500/2,000 lb	\$1,630.00
	143236	Latch, safety (fits 500787-0001 hook with hole)	\$25.00
	111410	Latch, safety (fits 500787-0001 hook)	\$20.00
12	134521	Hook assembly, swivel, 5,000/10,000 lb	\$1,280.00
	143233	Latch, safety (fits 500297-0001 hook with hole)	\$40.00
	146295	Latch, safety (fits 500297-0001 hook)	\$36.00
13	139843	Ground strap	\$13.00
14	142110	Screw, drive, #6 x .25, stainless steel	\$0.75
15	81280	Washer, internal tooth, 6-32	\$1.00
16	146102	Screw, pan head, 6-32 x 1/4, Phillips stainless steel	\$0.75
17	148259	Collar	\$47.00
18	145990	Screw, socket head, 1/4-20 x 5/8, stainless steel	\$2.00
19	128799	Screw set, 1/4-20 x 3/8, stainless steel	\$0.45

REPLACEMENT PARTS

MSI-6260CS

Midsection Assembly (500 - 10,000 lb)



REPLACEMENT PARTS

MSI-6260CS

Midsection Assembly (20 & 30,000 lb)



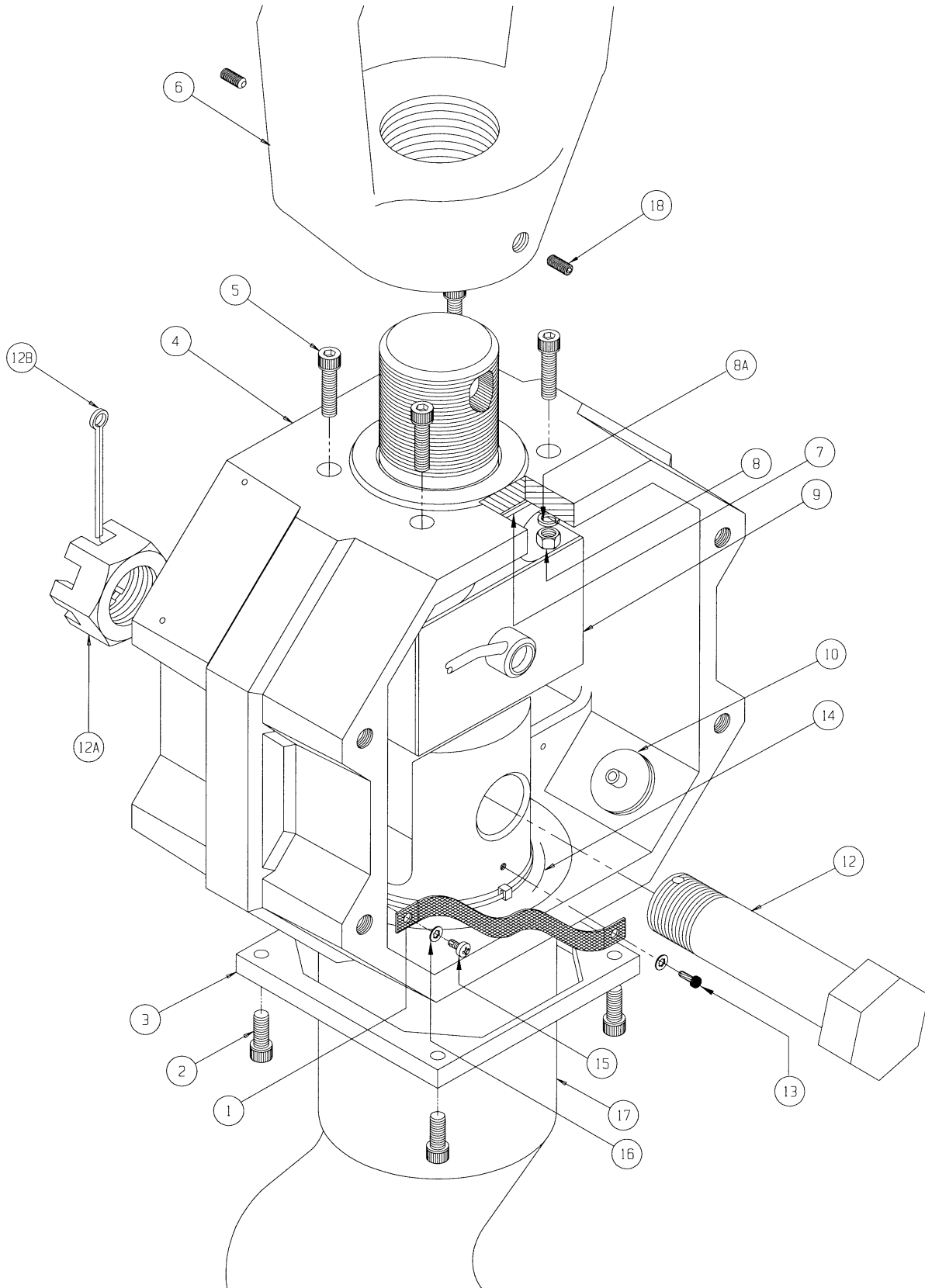
Part Number/Price

Item #	Part #	Description	Price
1	139843	Ground strap	\$13.00
2	145990	Screw, socket head, 1/4-20 x 5/8, stainless steel	\$2.00
3	149958	Collar, lower	\$130.00
4	150523	Casting	\$465.00
5	81405	Screw, socket head, 1/4-20 x 1, stainless steel	\$1.00
6	148110	Eye, lifting	\$610.00
7	149976	Seal, upper	\$5.00
8	14642	Nut, hex, 1/4-20, stainless steel	\$1.50
8A	15148	Washer split	\$1.00
9	134566	Load cell assembly	\$2,140.00
10	146322	Filter	\$9.00
12	148458	Bolt	\$82.00
12A	142833	Nut	\$11.00
12B	142186	Cotter pin	\$2.00
13	142110	Screw, drive, #6 x .25, stainless steel	\$0.75
14	149957	Seal, lower	\$82.00
15	146102	Screw, pan head, 6-32 x 1/4, Phillips, stainless steel	\$0.75
16	81280	Washer, internal tooth, #6, stainless steel	\$1.00
17	134938	Hook assembly, swivel 20,000 lb	\$2,680.00
	110661	Latch, safety (fits 500729-0001 hook with hole)	\$42.00
	142138	Latch, safety (fits 500729-0001 hook)	\$38.00
17	134939	Hook assembly, swivel 30,000 lb	\$3,480.00
	143235	Latch, safety (fits 500729-0002 hook with hole)	\$110.00
	142139	Latch, safety (fits 500729-0002 hook)	\$99.00
18	146081	Screw set, 3/8-24 x 3/4, stainless steel	\$2.00

REPLACEMENT PARTS

MSI-6260CS

Midsection Assembly (20 & 30,000 lb)



REPLACEMENT PARTS

MSI-6260CS

Midsection Assembly (50 & 70,000 lb)



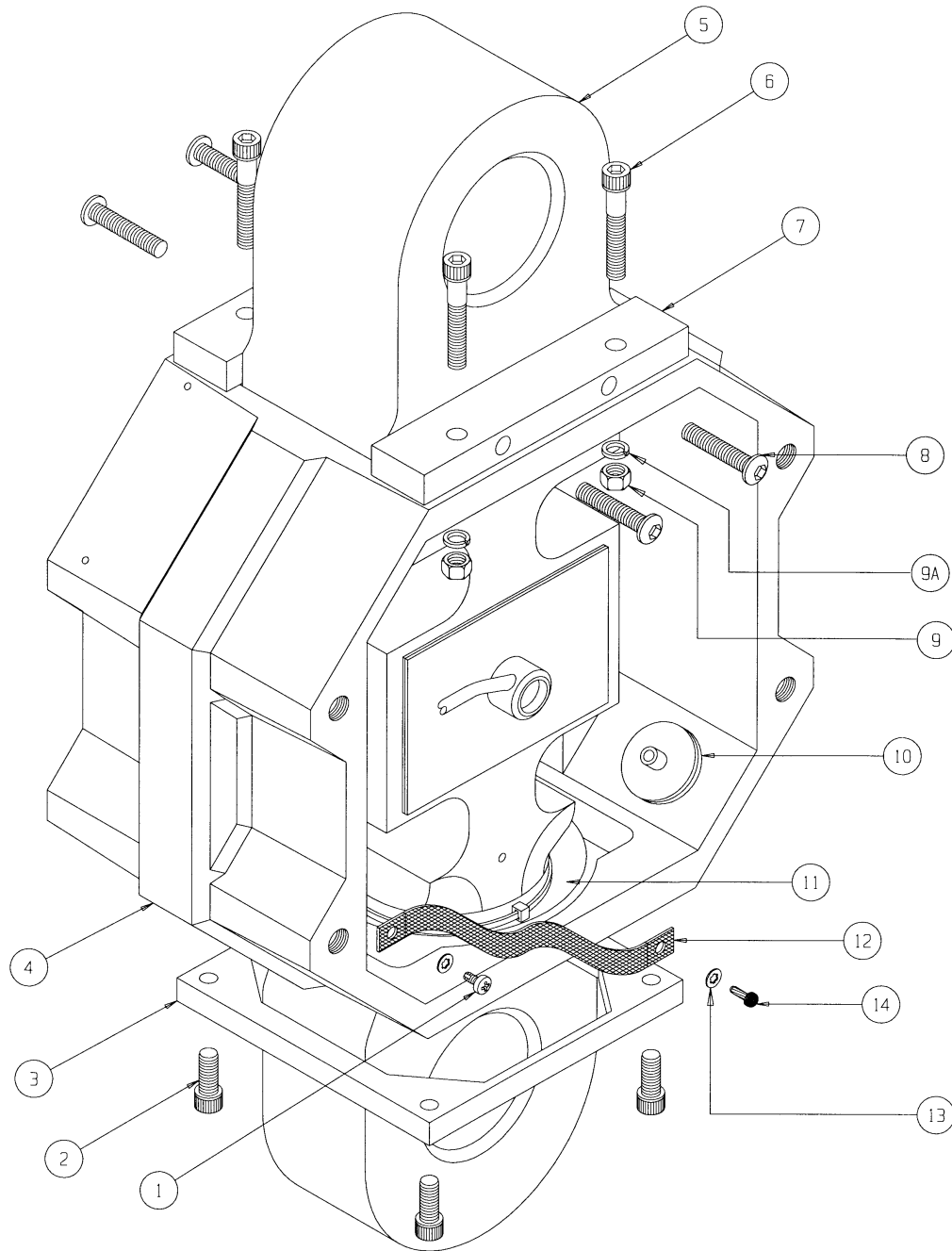
Part Number/Price

Item #	Part #	Description	Price
1	146102	Screw, pan head, 6-32 x 1/4, Phillips, stainless steel	\$0.75
2	145990	Screw, socket head, 1/4-20 x 5/8, stainless steel	\$2.00
3	149958	Collar	\$130.00
4	150525	Casting	\$495.00
5	134716	Load cell assembly	\$4,060.00
6	117599	Bolt, socket head, 1/4-20 x 1-1/2, stainless steel	\$1.50
7	148213	Collar	\$93.00
7	149964	Collar (pre 1992 only)	\$435.00
8	145982	Screw, button head, 1/4-20 x 1, stainless steel	\$2.00
9	14642	Nut, hex, 1/4-20, stainless steel	\$1.50
9A	15148	Washer split	\$1.00
10	146322	Filter	\$9.00
11	149957	Seal	\$82.00
12	139843	Ground strap	\$13.00
13	81280	Washer, internal tooth, #6, stainless steel	\$1.00
14	142110	Screw, drive, #6 x .25, stainless steel	\$0.75
Not Shown	151356	Shackle, 25T 50,000 lb	Consult
Not Shown	146335	Shackle, 40T 70,000 lb	Consult
Not Shown	135035	Hook, swivel, 50,000 lb	\$8,060.00
	142179	Latch, safety (fits 500782-0001 hook)	\$150.00
Not Shown	135036	Hook, swivel, 70,000 lb	\$11,290.00
	142180	Latch, safety (fits 500782-0002 hook)	\$200.00

REPLACEMENT PARTS

MSI-6260CS

Midsection Assembly (50 & 70,000 lb)



REPLACEMENT PARTS

MSI-6260CS

Battery Casting Assembly



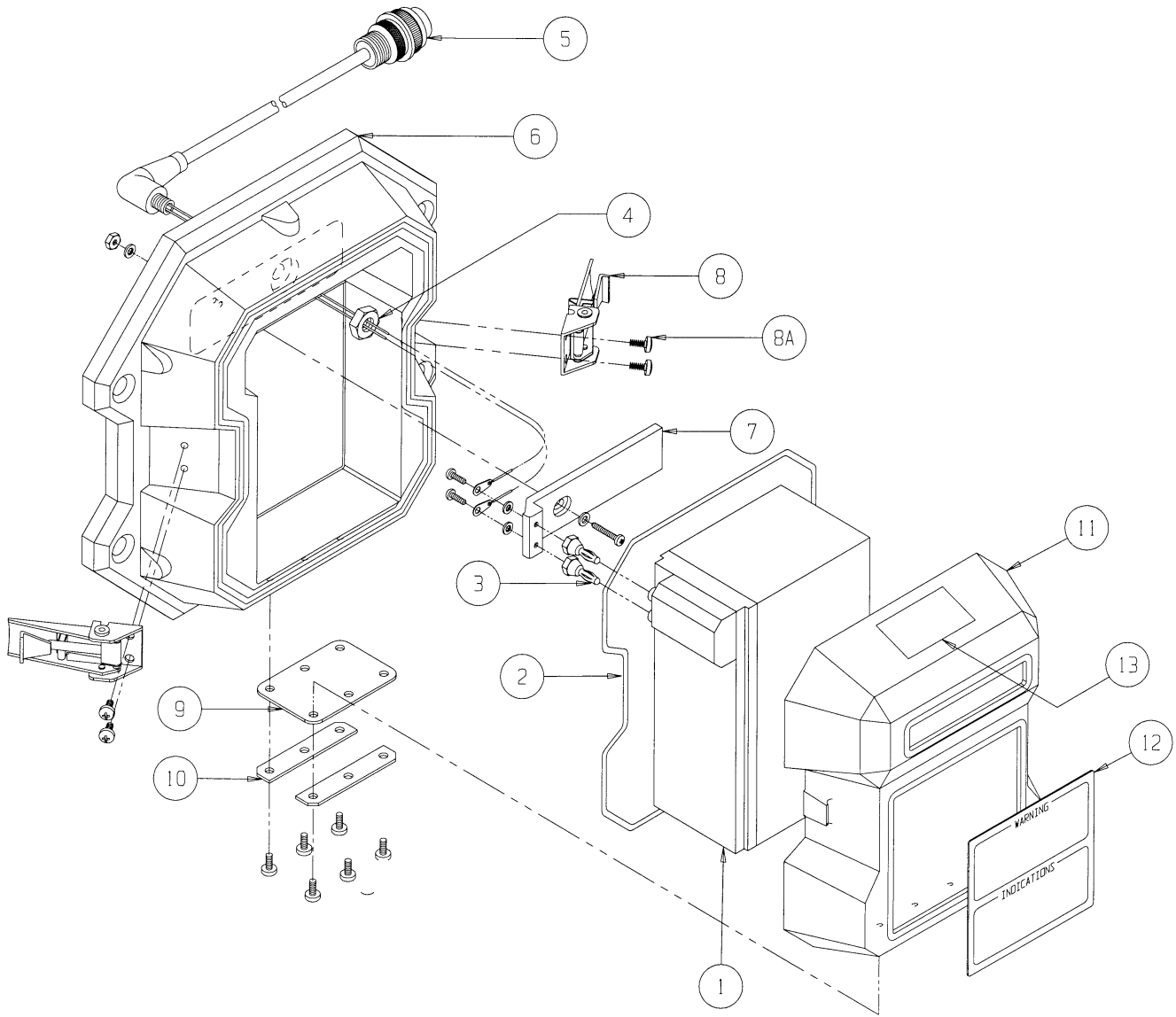
Part Number/Price

Item #	Part #	Description	Price
1	150367	Battery assembly	\$135.00
2	149723	O-Ring	\$13.00
3	147825	Plug, banana	\$11.00
4	114485	Nut, jam, 5/16-24, hex, stainless steel	\$1.00
5	133795	Cable assembly, power	\$190.00
6	150517	Casting	\$315.00
7	150073	Connector, battery	\$25.00
8A	146107	Screw	\$2.00
8	145934	Latch	\$38.00
9	149719	Hinge, rubber	\$10.00
10	149718	Plate, hinge	\$13.00
11	150516	Casting	\$93.00
12	137353	Label, RF battery warning, 2450 modem	\$19.00
12	137352	Label, RF battery warning, 2400 modem	\$18.00
13	137351	Label, FCC	\$19.00
Complete Battery Casting Assembly			
-	141254	Battery casting assembly	\$830.00
-	141100	Battery casting assembly, 115 or 230 VAC, 50/60 Hz	\$1,525.00

REPLACEMENT PARTS

MSI-6260CS

Battery Casting Assembly



REPLACEMENT PARTS

MSI-6260CS

Universal Battery Charger Assembly



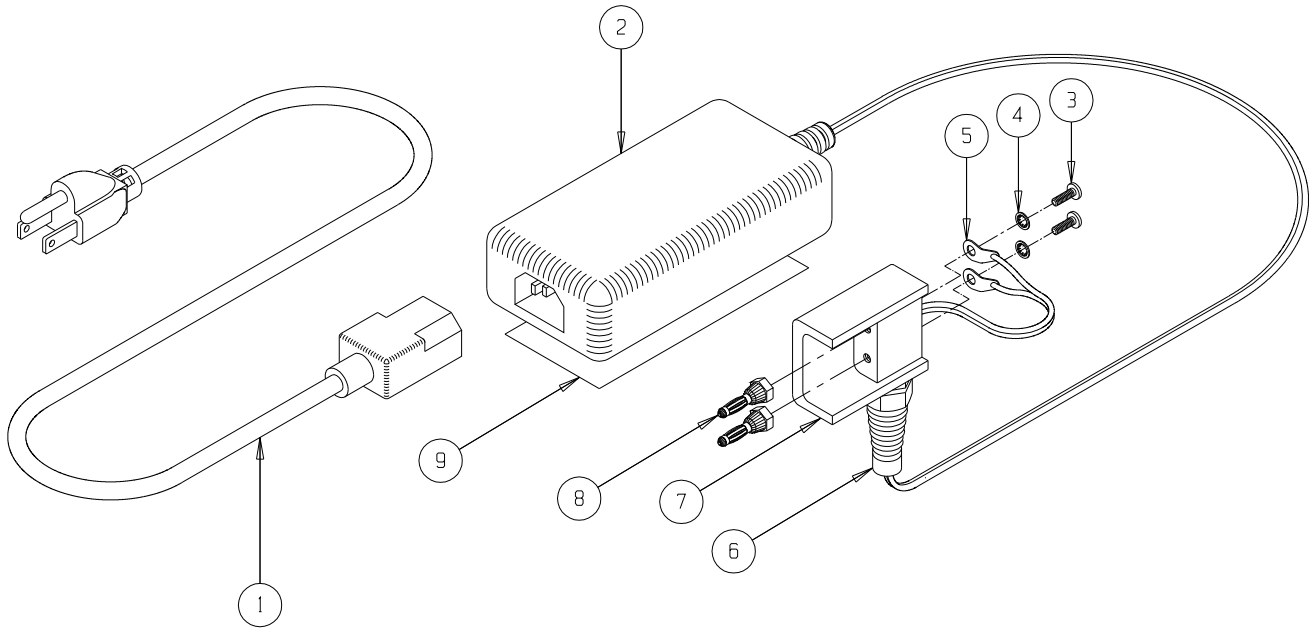
Part Number/Price

Item #	Part #	Description	Price
1	143974	Power cord, North America	\$32.00
1	143981	Power cord, United Kingdom (not shown)	\$73.00
1	143979	Power cord, European (not shown)	\$62.00
1	143980	Power cord, Australian (not shown)	\$73.00
2	144890	Universal power adapter	\$140.00
3	146603	Screw, pan head 6-32 x 3/8, Std., stainless steel	\$0.75
4	81280	Washer internal tooth #6, stainless steel	\$1.00
5	141635	Lug, solder #6, copper	\$2.00
6	144936	Feed through	\$6.00
7	149434	Housing battery plug	\$44.00
8	147825	Plug, banana	\$11.00
9	139369	Label, descriptive 12V	\$13.00
-	138006	Universal battery charger 115/230 VAC, 50/60 Hz (North American plug configuration is standard; contact factory if alternate is required)	\$330.00

REPLACEMENT PARTS

MSI-6260CS

Universal Battery Charger Assembly



REPLACEMENT PARTS

MSI-7300 Dyna-Link

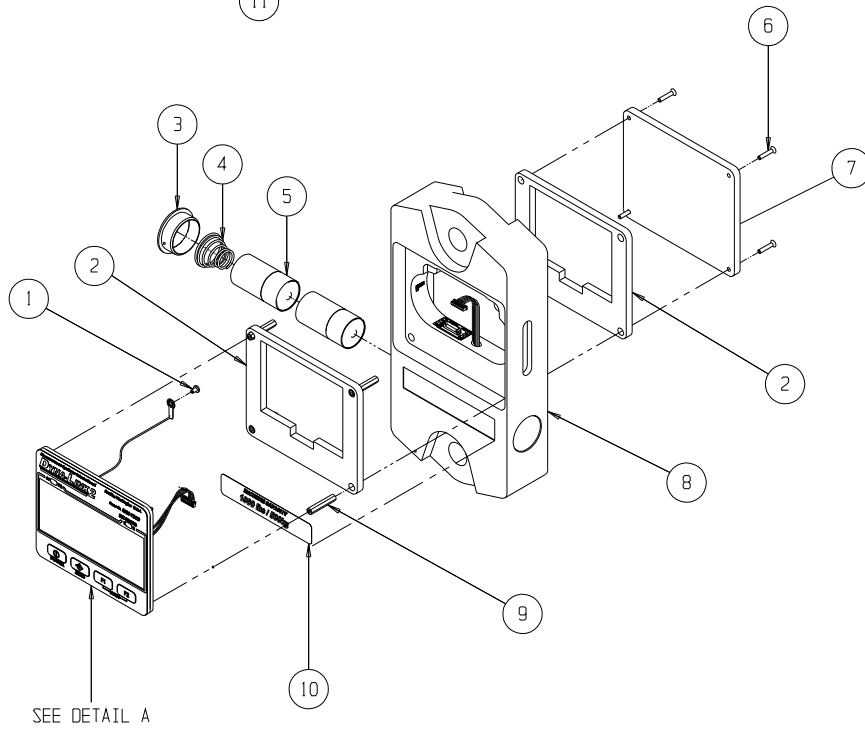
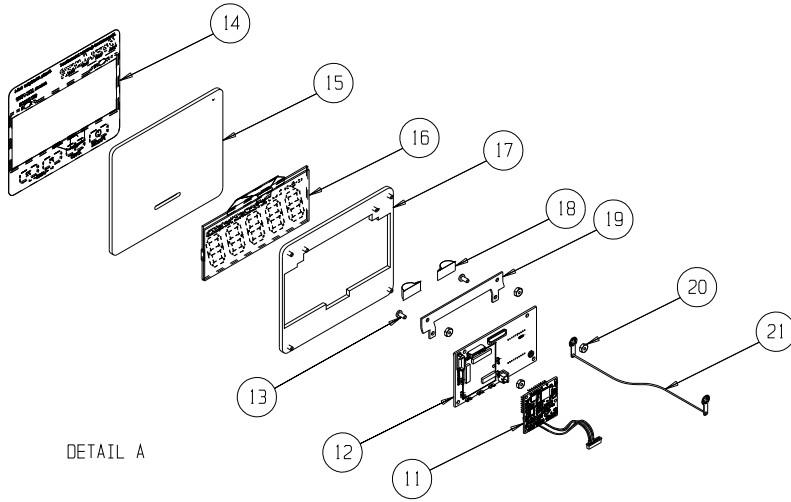
Standard Assembly



Part Number/Price

Item #	Part #	Description	Price
1	146593	Screw, pan head, 4-40 × 3/16, stainless steel	\$0.75
2	149340	Gasket, front	\$30.00
3	144709	Cap, 25, 50 and 100k capacities	\$47.00
3	144710	Cap, 1,2,5 and 10k capacities	\$30.00
4	144788	Spring, 25, 50 and 100k	\$6.00
4	144769	Spring, 1, 2, 5 and 10k	\$5.00
5	42741	Battery "D" cell alkaline	\$5.00
5	74619	Battery, "C" cell alkaline	\$2.75
6	146556	Screw, flat head, 4-40 × 5/8, Phillips, stainless steel	\$1.00
7	149381	Panel, back	\$58.00
8	139155	Load cell assembly, 1,000 lb	\$925.00
8	139156	Load cell assembly, 2,500 lb	\$925.00
8	139157	Load cell assembly, 5,000 lb	\$925.00
8	139158	Load cell assembly, 10,000 lb	\$1,110.00
8	139159	Load cell assembly, 25,000 lb	\$1,510.00
8	139160	Load cell assembly, 50,000 lb	\$2,030.00
8	139161	Load cell assembly, 100,000 lb	\$3,040.00
9	144789	Spacer, 1.062, 4-40, stainless steel	\$15.00
9	144790	Spacer, 1.312, 4-40, stainless steel	\$15.00
9	144791	Spacer, 1.812, 4-40, stainless steel	\$15.00
9	144792	Spacer, 2.562, 4-40, stainless steel	\$15.00
9	144758	Spacer, 2.00, 4-40, stainless steel	\$15.00
10	148022	Label, capacity, 1,000 lb	\$18.00
10	148029	Label, capacity, 2,500 lb	\$17.00
10	148024	Label, capacity, 5,000 lb	\$18.00
10	148025	Label, capacity, 10,000 lb	\$18.00
10	148026	Label, capacity, 25,000 lb	\$18.00
10	148027	Label, capacity, 50,000 lb	\$18.00
10	134160	Label, capacity, 100,000 lb	Consult
11	153431	PCA, Scalecore assembly	\$265.00
12	149290	PCA, display assembly	\$150.00
13	144536	Screw, pan head, 4-40 × 1/4, Phillips, stainless steel	\$0.75
14	149336	Label, descriptive	\$105.00
15	149339	Panel, front	\$24.00
16	149295	LCD	\$36.00
17	149338	Bezel, assembly	\$74.00
18	144991	Gasket	\$2.00
19	149460	Bracket, LCD	\$24.00
20	146542	Nut, hex 4-40, stainless steel	\$2.00
21	139407	Ground wire	\$5.00

REPLACEMENT PARTS



REPLACEMENT PARTS

Dyna-Clamp

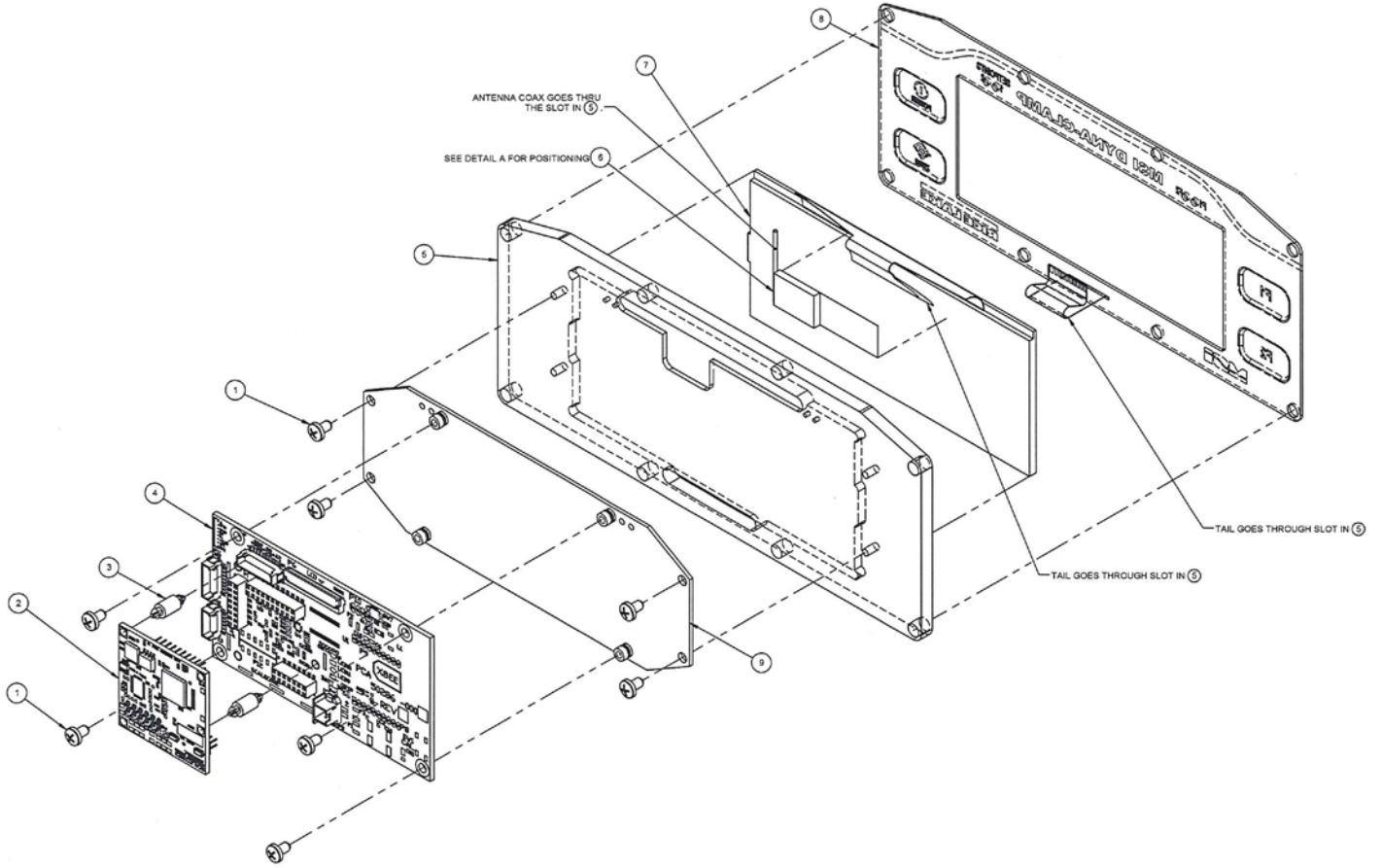
Display Assembly



Part Number/Price

Item #	Part #	Description	Price
1	142233	Screw, pan head, locking, 4-40 × 3/16, Phillips, stainless steel	\$2.00
2	153431	PCA scalecore 3 4-channel with board to board header (not field installable)	\$265.00
3	144939	Spacer miniature dual locking 6 mm long	\$1.05
4	151918	PCA 6-digit LCD 7300	\$225.00
5	189582	Front plate LCD mount	\$235.00
6	197204	Antenna, 2.4 GHz, 2dBi with u.fl cable, 100 mm	\$13.00
7	186658	LCD module dual line 4.5 × 2.0 in (6 primary display digits) line tension check lcd display	\$32.00
8	191640	Overlay with dome switches	\$135.00
9	191813	Mounting plate electronics	\$42.00

REPLACEMENT PARTS



REPLACEMENT PARTS

Dyna-Clamp

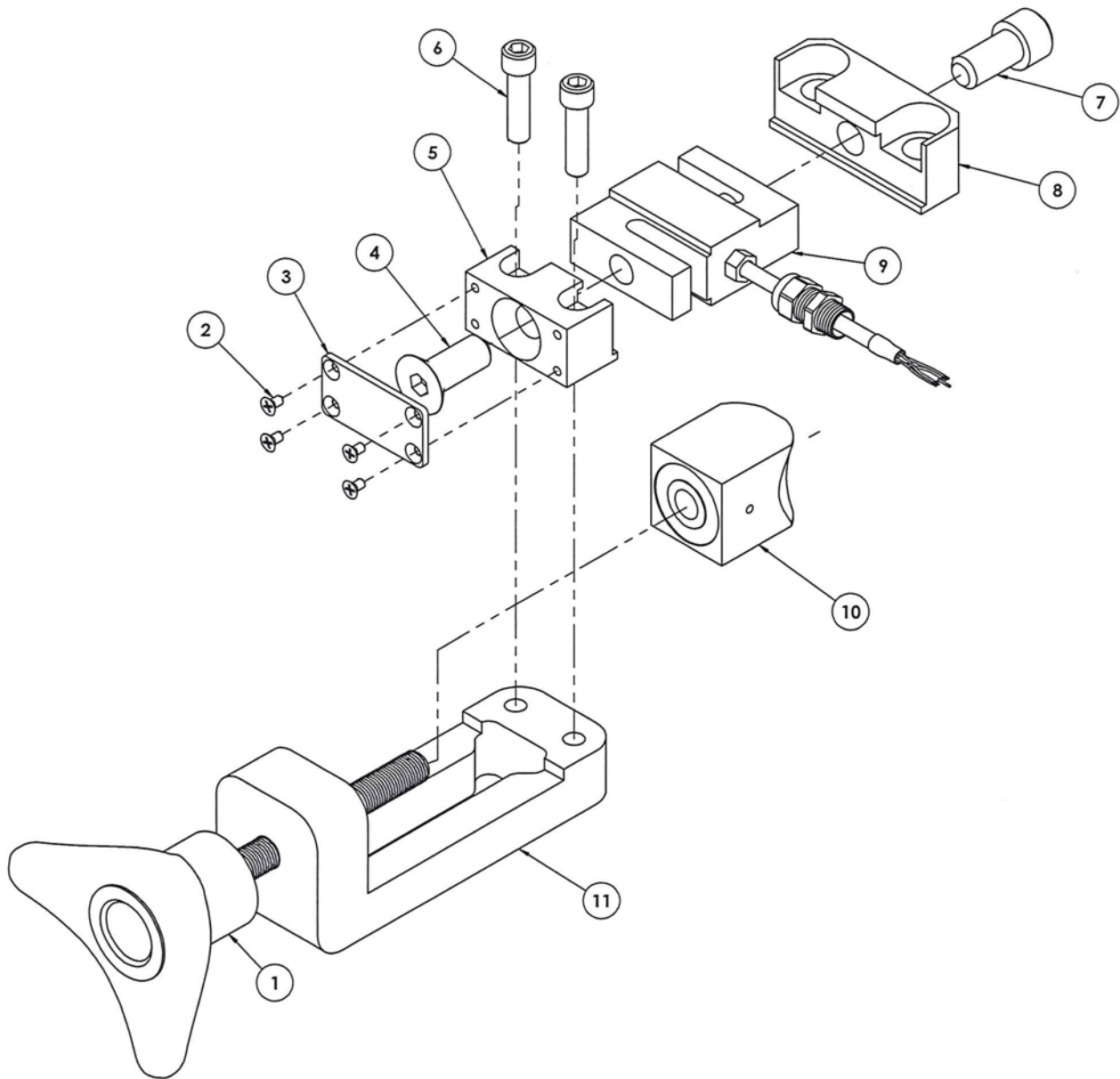
Rod Assembly



Part Number/Price

Item #	Part #	Description	Price
1	196441	Handle and drive rod assembly	\$340.00
2	146560	Screw flat head 6-32 x 1/4 Phillips stainless steel	\$0.75
3	192405	Striker plate	\$36.00
4	192718	Screw cap flat head 82 deg 1/2-20 unf x 1.25 lg hex drive alloy steel black oxide	\$3.00
5	191072	Lower load cell mount	\$170.00
6	192747	Screw socket head 5/16-18 uc x 1.25 lg alloy steel black oxide cap screw	\$2.00
7	192746	Screw socket head 1/2-20 unf x 1.00 lg alloy steel black oxide cap screw	\$5.00
8	191071	Upper load cell mount	\$185.00
9	192740	Load cell assembly 500 lb (not field installable)	Consult
10	193410	Drive rod end assembly	\$835.00
11	192416	Drive block	\$565.00

REPLACEMENT PARTS



REPLACEMENT PARTS

Dyna-Clamp

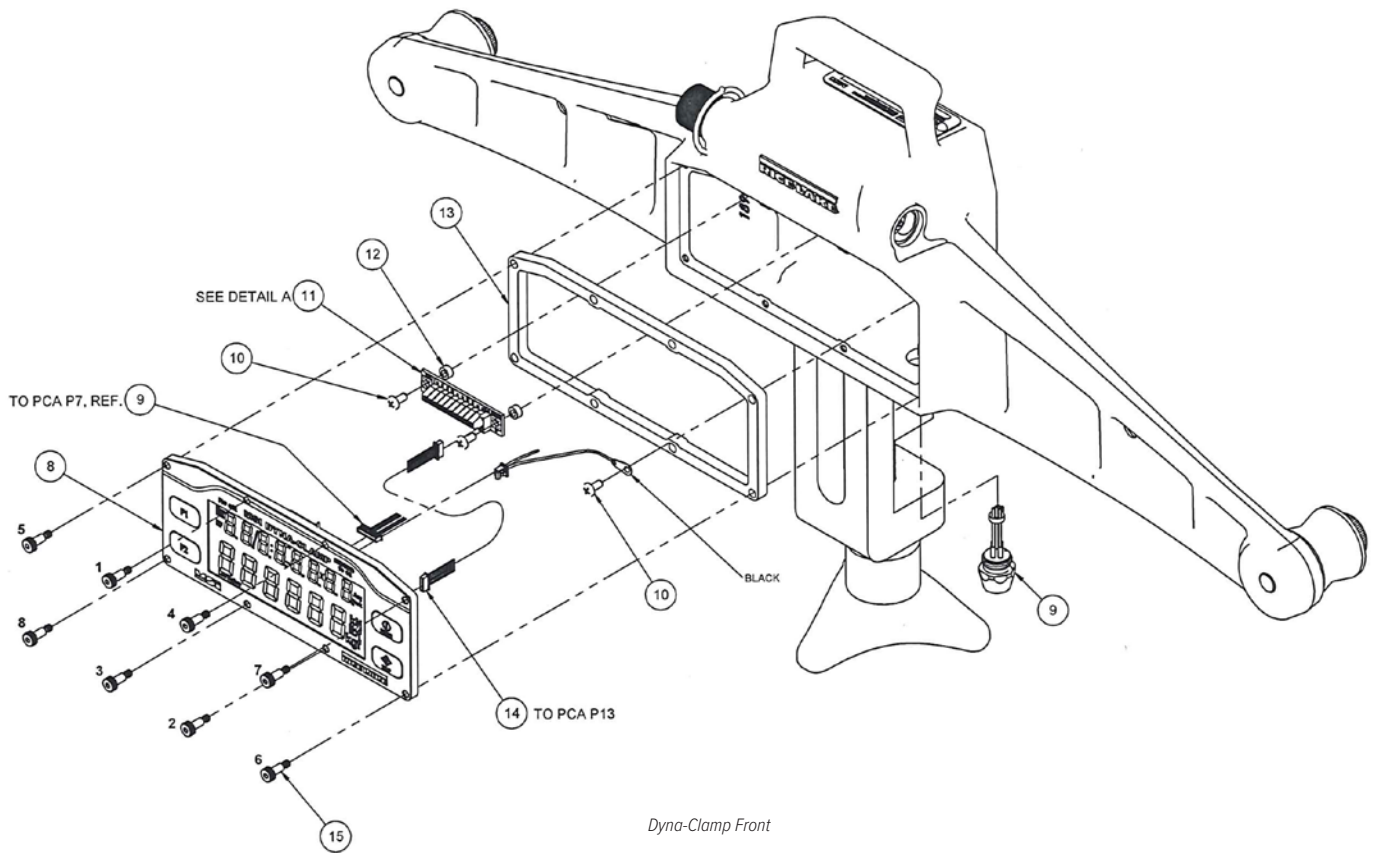
Front and Back Assembly



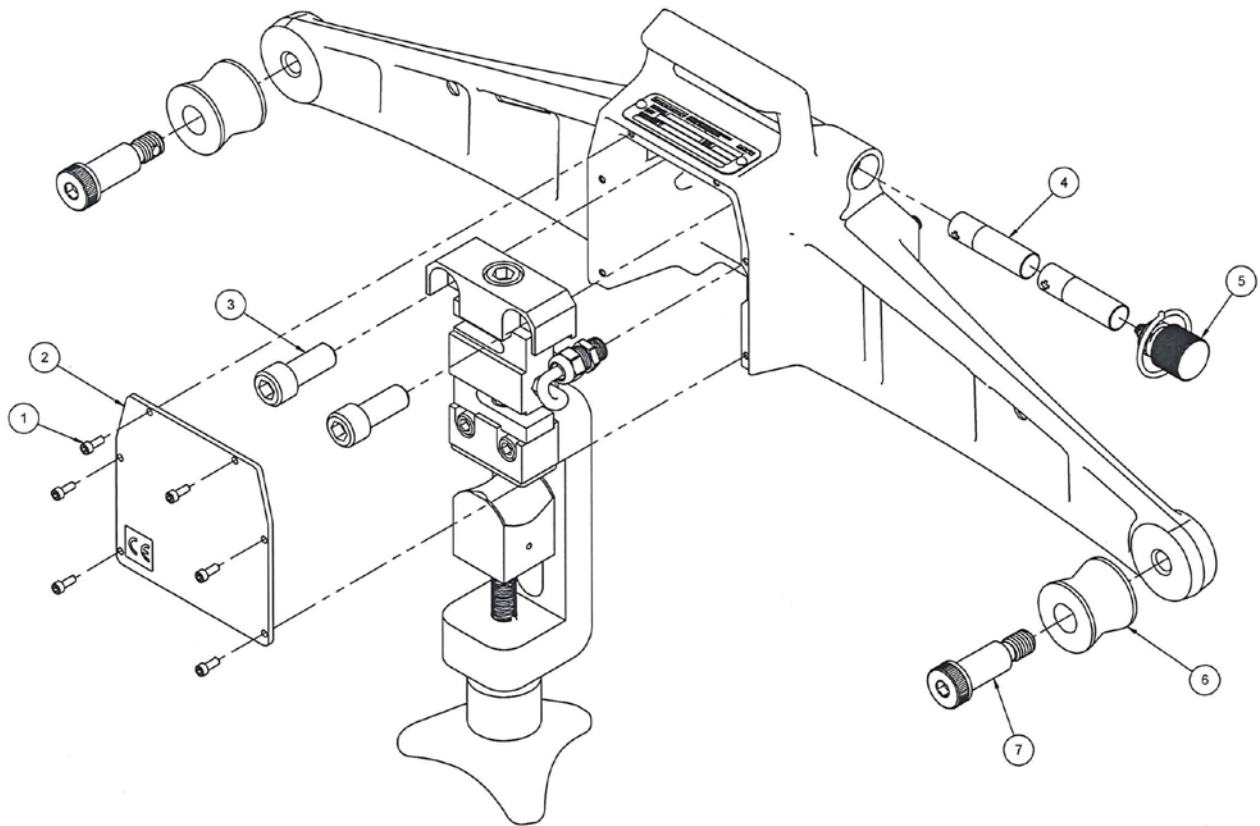
Part Number/Price

Item #	Part #	Description	Price
1	145988	Screw socket head 6-32 x 3/8 stainless steel	\$1.50
2	192406	Cover plate load train	\$37.00
3	146001	Screw socket head 1/2-20 x 1-1/4 pltd	\$4.00
4	16431	Battery, 1.5V AA alkaline pack of 8	\$4.00
5	191147	Battery cap assembly	\$170.00
6	191155	Cable roller	\$130.00
7	192660	Bolt shoulder 1/2-13 unc shoulder diameter 0.623-621 x 1.25 length with thread locker black oxide	\$21.00
8	189583	Electronics assembly LCD	\$935.00
9	192858	Cable assembly serial RS-232	\$44.00
10	142197	Screw, pan head 6-32 x 5/16 long Phillips drive stainless steel with locking patch material applied	\$2.00
11	158437	PCA terminal block 8000HD	\$48.00
12	146226	Spacer .140 inch id x .125 inch lg #6 clearance #4001	\$2.00
13	191038	Gasket display silicone	\$17.00
14	161622	Cable assembly int load cell term block to display board input	\$16.00
15	194530	Screw shoulder socket head 6-32 5/32 diameter x 5/16 long alloy steel black oxide	\$7.00

REPLACEMENT PARTS



Dyna-Clamp Front



Dyna-Clamp Back

REPLACEMENT PARTS

MSI-8000

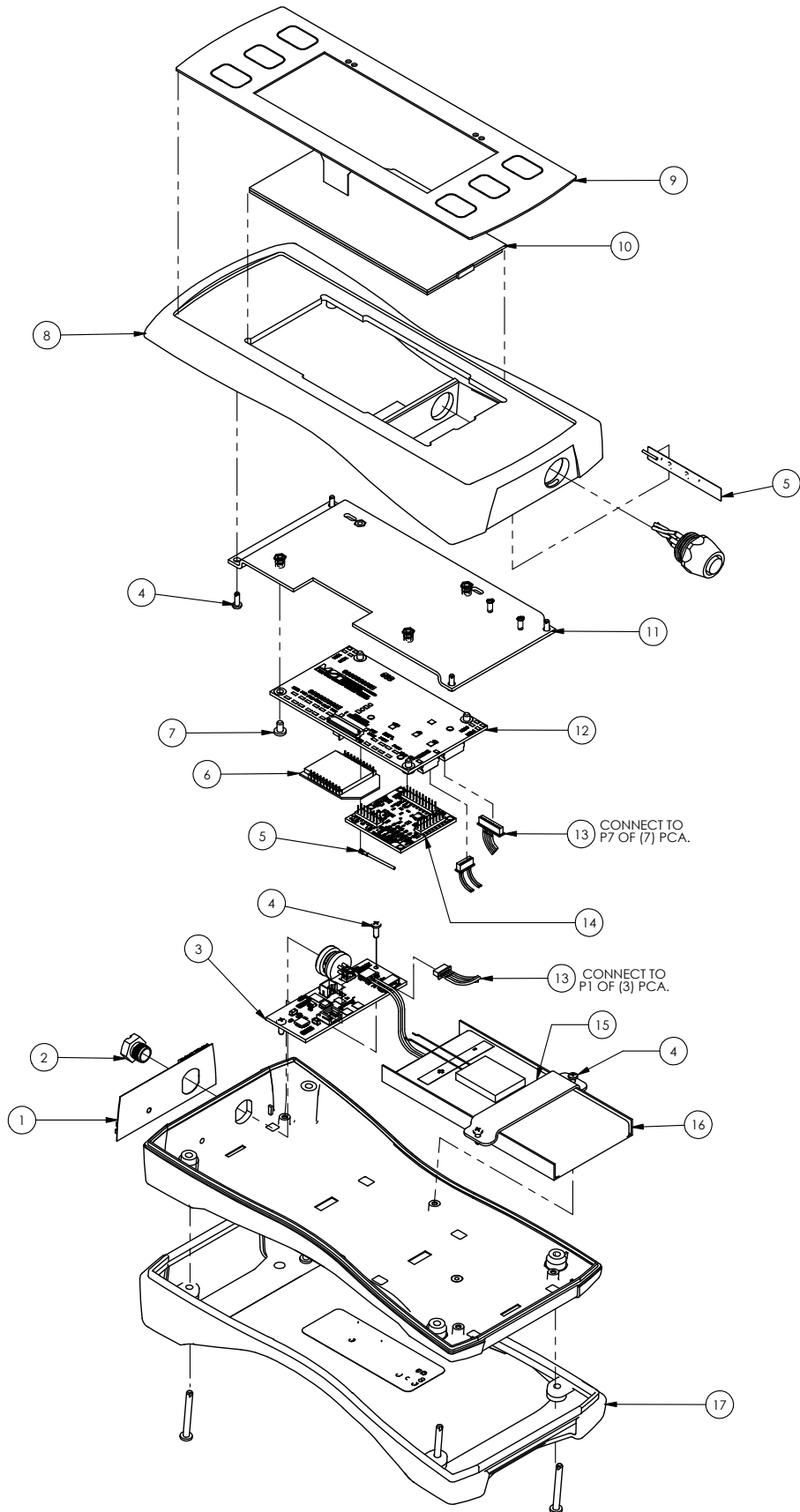
Remote Display



Part Number/Price

Item #	Part #	Description	Price
1	149451	Label charger serial FCC handheld display	\$19.00
2	144908	Conn closure cap IP68 picofast male	\$12.00
3	162339	PCA Li-Po battery charger 5VDC	\$185.00
4	144935	Screw pan head 2-32 x 1/4 type B Phillips stainless steel	\$2.00
5	145065	Antenna patch 2.4 GHz ADH mount with fl. u coax	\$20.00
6	144773	Radio module Xbee-pro 802.15.4 u.fl connect	\$120.00
7	146593	Screw pan head 4-40 x 3/16 Phillips stainless steel	\$0.75
8	149407	Enclosure machined DynaLink2 REM display	\$160.00
9	149409	Label descriptive switch remote display	\$95.00
10	151575	LCD display 6-digit	\$36.00
11	149408	Mounting plate LCD PCA	\$34.00
12	151918	PCA 6-digit LCD 7300	\$225.00
13	139380	Cable assembly power/comm handheld	\$16.00
14	153428	PCA ScaleCore3 no a/d	\$265.00
15	179169	Bracket assembly	\$33.00
16	139336	Battery pack/charger li-polymer 3.7V	\$130.00
17	144874	Enclosure seal rubber armor blue	\$52.00

REPLACEMENT PARTS



REPLACEMENT PARTS

MSI-8000HD

Final Assembly Remote Display



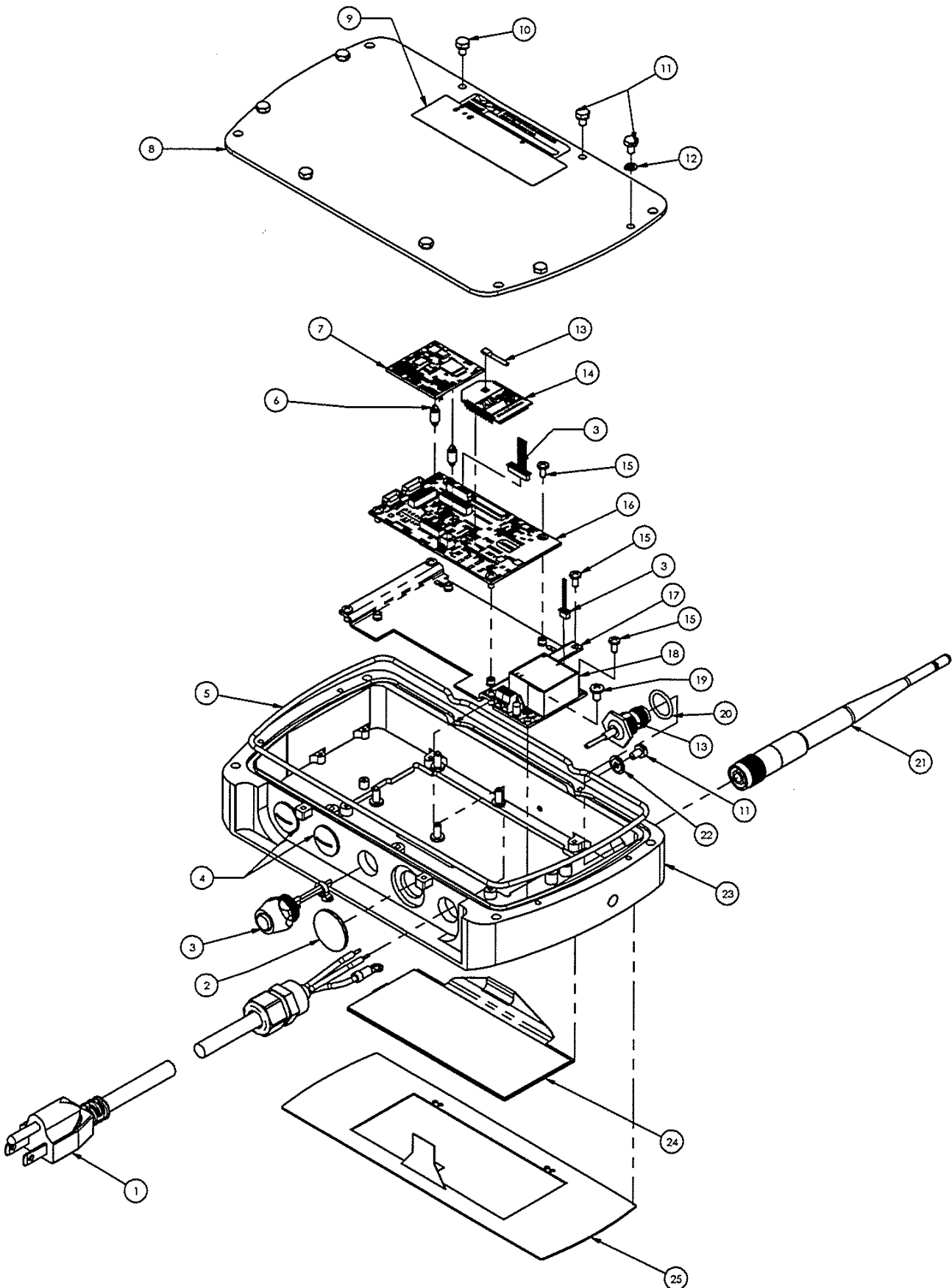
Part Number/Price

Item #	Part #	Description	Price
1	160518	Power cord AC in	\$41.00
2	154863	Plug diameter 0.900 with adhesive	\$16.00
3	161591	Cable assembly serial M12	\$73.00
4	143746	Plug domed PG9 IP65	\$13.00
5	153110	O-ring 7-1/4 x .103	\$5.00
6	144929	Spacer miniature dual	\$6.00
7	153428	PCA ScaleCore3 no a/d	\$265.00
8	152034	Cover fixed mount	\$47.00
9	159855	Overlay TranSend FCC	\$5.00
10	146022	Bolt hex head 6-32 x 1/4 cap stainless steel	\$3.00
11	143271	Screw mach hex head	\$7.00
12	146538	Washer split lock stainless steel #6	\$2.00
13	152051	Cable assembly RF coax	\$30.00
14	144773	Radio module Xbee-pro	\$120.00
15	128088	Screw 4-40 x 1/4 pan head Phillips	\$0.50
16	151918	PCA 6-digit LCD	\$225.00
17	152046	Bracket electronics	\$70.00
18	151599	PCA, AC power supply 5V 5W	\$190.00
19	146601	Screw pan head 6-32 x 1/4 Phillips	\$0.75
20	153793	O-ring 1/2 id x .070	\$2.00
21	143283	Antenna 2.4GHz	\$61.00
22	143272	Washer seal #6 steel	\$3.00
23	151492	Enclosure fixed meter	\$210.00
24	151575	LCD display 6-digit	\$36.00
25	149409	Label descriptive switch	\$95.00

REPLACEMENT PARTS

MSI-8000HD

Final Assembly Remote Display



REPLACEMENT PARTS

MSI-8004HD

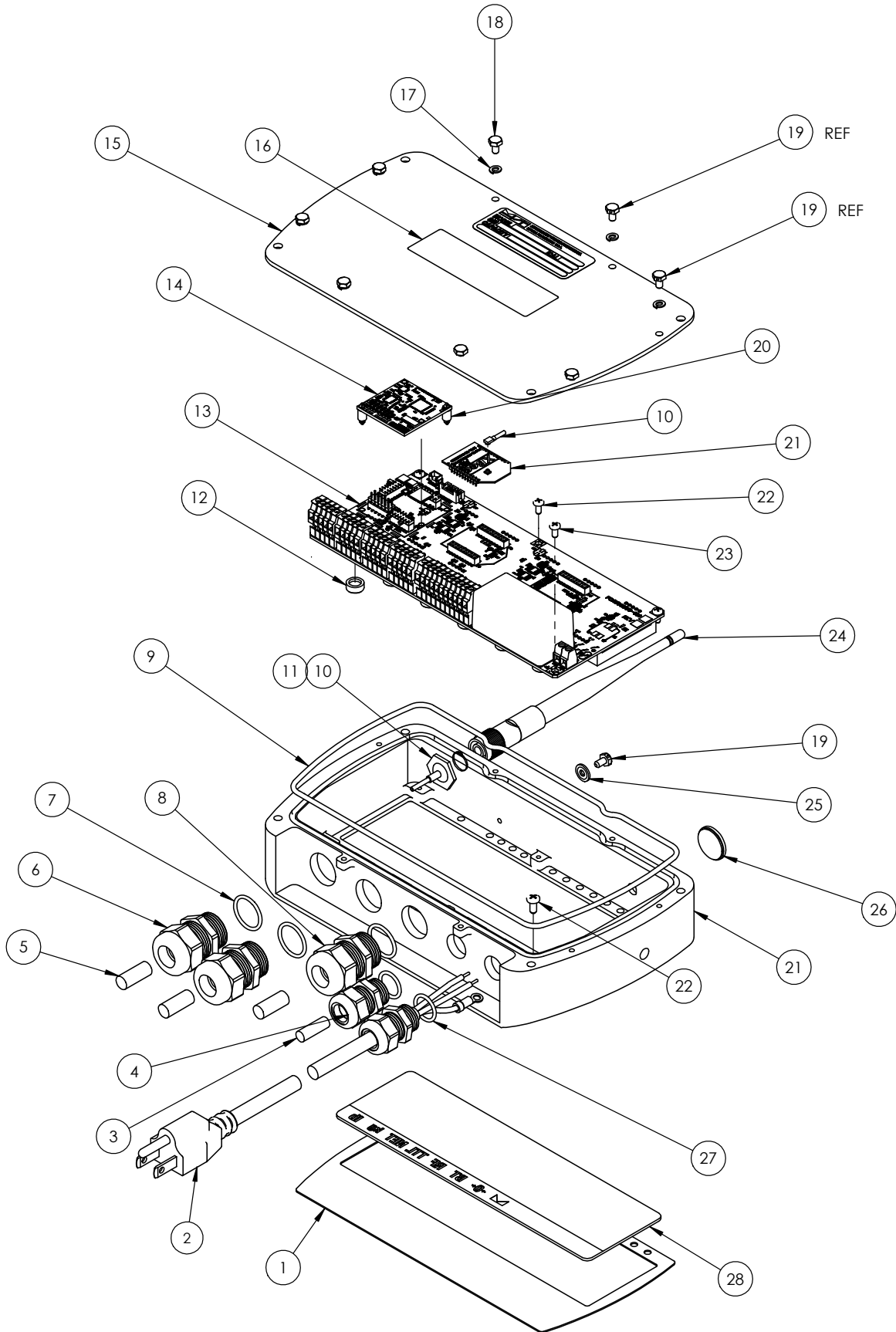
Indicator AC



Part Number/Price

Item #	Part #	Description	Price
1	178180	Overlay, standard	\$40.00
2	160518	Power cord AC in	\$41.00
3	141991	Pin round acetal 0.25 in diameter	\$0.75
4	141593	Conn feed through liquid	\$7.00
5	142554	Pin round acetal 0.312 in diameter	\$0.75
6	177368	Conn, feed through, liquid	\$5.00
7	177366	O-ring, PG13, Buna-N	\$2.00
8	177364	Conn feed through	\$5.00
9	153110	O-ring 7-1/4 x .103	\$5.00
10	152051	Cable assembly RF coax	\$30.00
11	153793	O-ring 1/2 Id x .070	\$2.00
12	177362	Key cap, SMS switches	\$2.00
13	176192	PCA 8004 indicator green/red	\$880.00
14	153431	PCA ScaleCore3 4-channel	\$265.00
15	152034	Cover fixed mount 8000	\$47.00
16	159855	Overlay TranSend FCC	\$5.00
17	146538	Washer split lock stainless steel #6	\$2.00
18	146022	Bolt hex head 6-32 x 1/4 cap stainless steel	\$3.00
19	143271	Screw mach hex head	\$7.00
20	144929	Spacer miniature dual	\$6.00
21	144773	Radio module Xbee-pro	\$120.00
22	144537	Screw LKG PCH pan head 6-32	\$0.75
	142233	Screw, pan head, locking, 4-40 x 3/16, Phillips, stainless steel	\$2.00
23	146543	Screw pan head 4-40 x 1/4 nylon	\$0.75
24	143283	Antenna 2.4 GHz	\$61.00
25	143272	Washer seal #6 steel	\$3.00
26	158438	Plug diameter 0.750 in with adhesive	\$13.00
27	177363	O-ring, PG9, Buna-N	\$0.75
28	177579	LED filter med grey	\$29.00

REPLACEMENT PARTS



REPLACEMENT PARTS

MSI-8004HD

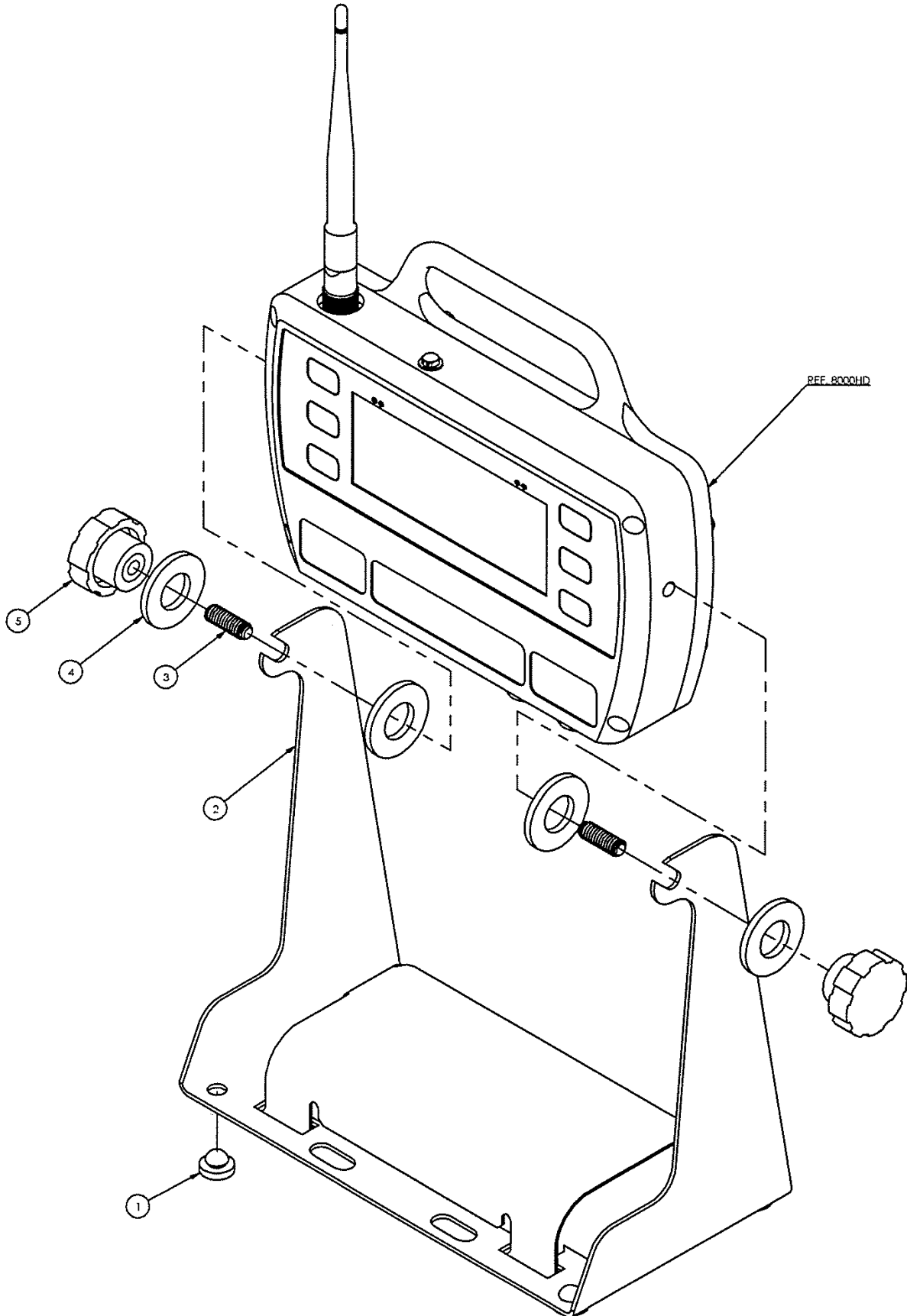
Optional Kit Tilt Stand



Part Number/Price

Item #	Part #	Description	Price
1	143224	Bumper molded sbr .078	\$1.00
2	155172	Tilt stand 8000HD	\$53.00
3	155192	Screw set 5/16-18 x 7/8	\$0.50
4	146200	Washer flat nylon .315 ID	\$2.00
5	143879	Knob fluted 5/16-18	\$13.00

REPLACEMENT PARTS



REPLACEMENT PARTS

MSI-7000HD

4 CH 85-265 VAC



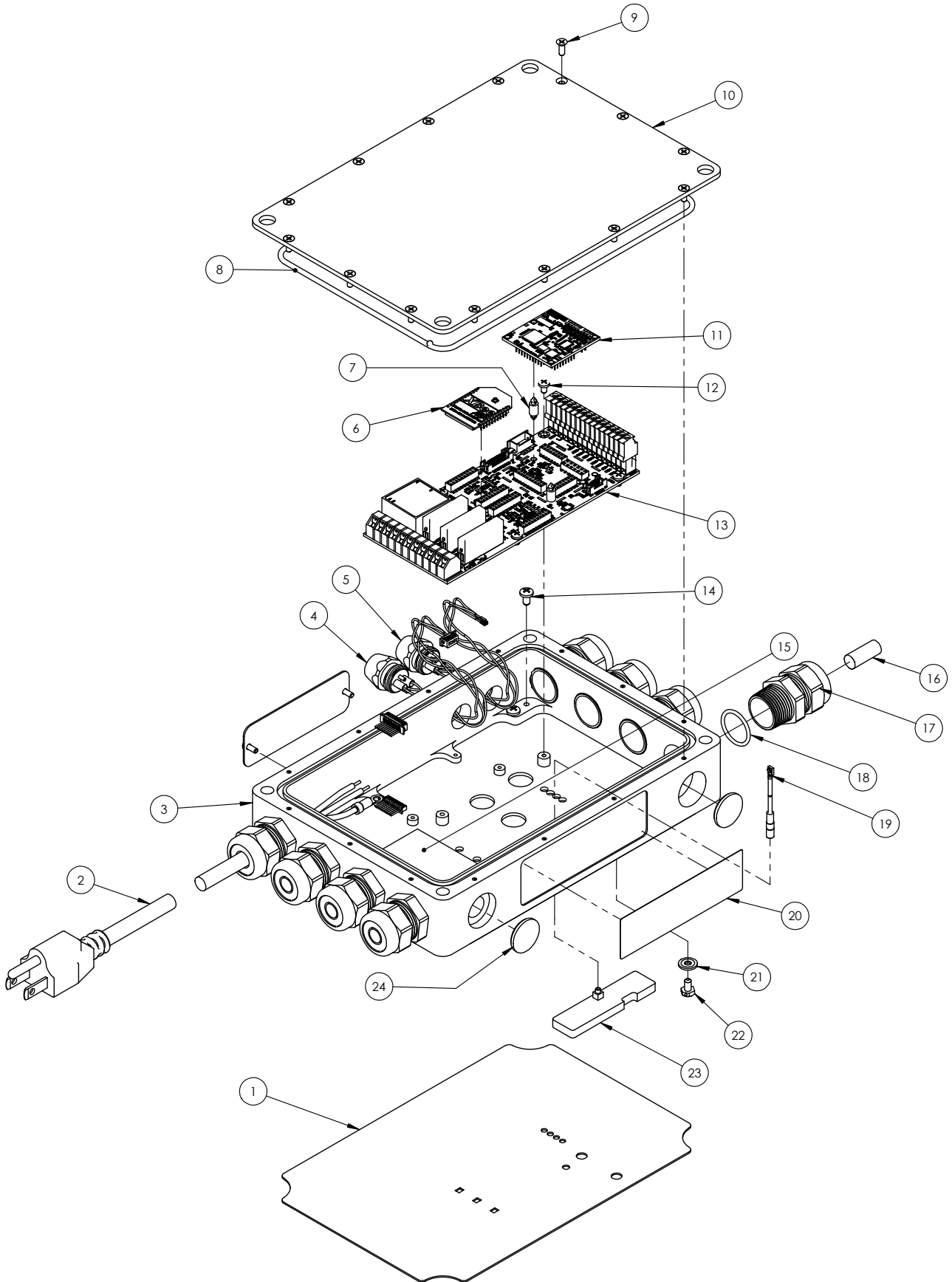
Part Number/Price

Item #	Part #	Description	Price
1	178160	Overlay	\$37.00
2	179558	Power cord AC in	\$28.00
3	178022	Enclosure	\$380.00
4	178557	Cable assembly serial comm	\$225.00
5	178491	Cable assembly serial comm	\$48.00
6	144773	Radio module Xbee-pro	\$120.00
7	144929	Spacer miniature dual	\$6.00
8	174106	O-ring	\$2.00
9	146553	Screw pan head 4-40 × 5/16 Phillips	\$0.75
10	178172	Cover standard	\$95.00
11	153431	PCA ScaleCore3 4-channel	\$265.00
12	142233	Screw, pan head, locking, 4-40 × 3/16, Phillips, stainless steel	\$2.00
13	175315	PCA dual modem, ac	\$300.00
14	144537	Screw lkg pch pan head 6-32	\$0.75
15	174214	Insulator AC and relays	\$7.50
16	142554	Pin round acetal 0.312 diameter	\$0.75
17	142229	Conn feed through liquid	\$9.00
18	181774	O-ring AS568-018 neoprene	\$0.75
19	139450	RF cable assembly MMCX str	\$24.00
20	159855	Overlay TranSend FCC	\$5.00
21	143272	Washer seal #6 steel	\$3.00
22	143271	Screw mach hex head	\$7.00
23	143454	Antenna 2.4 GHz patch	\$105.00
24	158438	Plug diameter 0.750 with adhesive	\$13.00

REPLACEMENT PARTS

MSI-7000HD

4 CH 85-265 VAC



REPLACEMENT PARTS

MSI-7001HD

2 CH 85-265 VAC



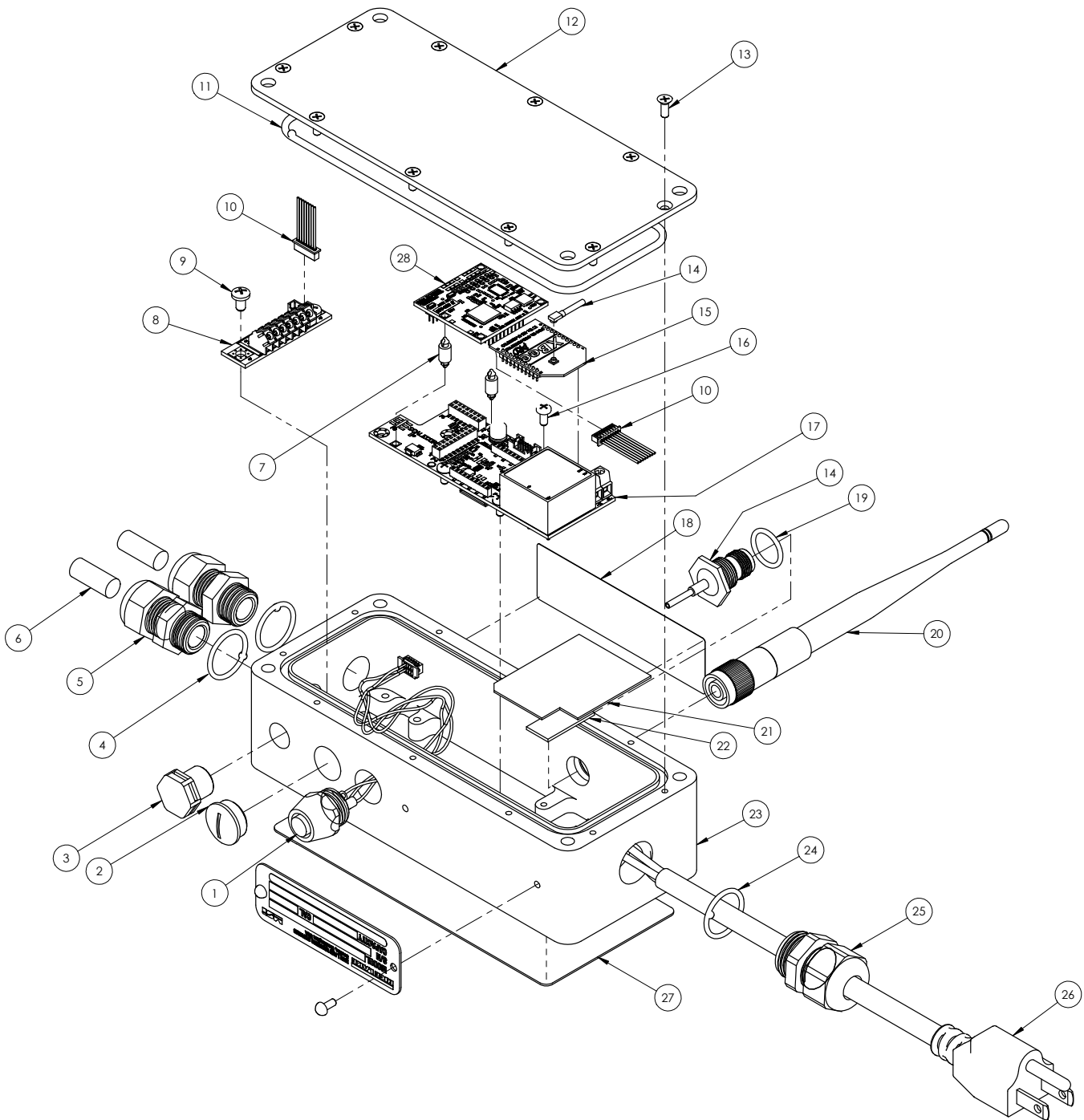
Part Number/Price

Item #	Part #	Description	Price
1	178557	Cable assembly serial comm	\$225.00
2	143746	Plug domed PG9 IP65	\$13.00
3	88733	Vent, breather sealed	\$22.00
4	177363	O-ring, PG9, Buna-N, 8004	\$0.75
5	141593	Conn feed through liquid	\$7.00
6	142554	Pin round acetal 0.312 diameter	\$0.75
7	144929	Spacer miniature dual	\$6.00
8	179595	PCA 7001HD LC term blk	\$235.00
9	146601	Screw pan head 6-32 x 1/4 Phillips	\$0.75
10	182635	Cable assembly int load cell	\$35.00
11	181832	O-ring	\$1.00
12	179213	Enclosure cover	\$28.00
13	146553	Screw flat head 4-40 x 5/16 Phillips	\$0.75
14	152051	Cable assembly RF coax	\$30.00
15	144773	Radio module Xbee-pro	\$120.00
16	128088	Screw 4-40 x 1/4 pan head Phillips	\$0.50
17	176036	PCA 7001A, AC power supply	\$275.00
18	159855	Overlay TranSend FCC	\$5.00
19	153793	O-ring 1/2 ID x .070	\$2.00
20	143283	Antenna 2.4 GHz	\$61.00
21	181880	Insulator AC	\$2.25
22	148591	Adhesive pad	\$2.25
23	178490	Enclosure	\$130.00
24	146251	O-ring 70 durometer	\$2.00
25	142885	Conn feed through liquid	\$7.00
26	179558	Power cord AC in	\$28.00
27	179390	Overlay	\$21.00
28	153430	PCA ScaleCore3 2-channel	\$200.00

REPLACEMENT PARTS

MSI-7001HD

2 CH 85-265 VAC



REPLACEMENT PARTS

MSI-9750A

Front Assembly



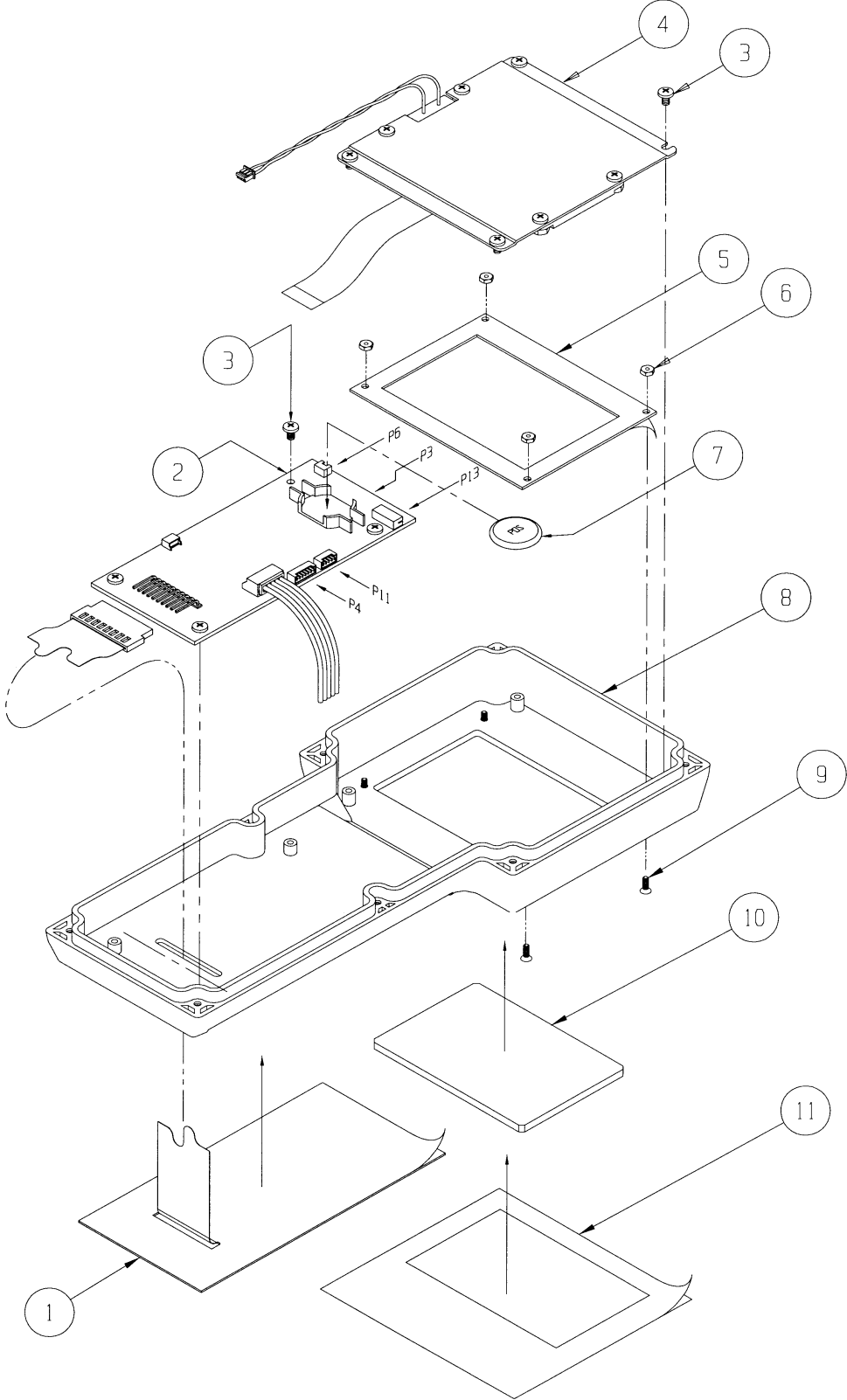
Part Number/Price

Item #	Part #	Description	Price
1	148847	Keypad	\$235.00
2	148889	PCA, controller	\$705.00
3	143842	Screw, pan head 4-24 x 3/16, Phillips, stainless steel	\$0.75
4	138115	PCA, display assembly	\$190.00
5	148923	Bracket, window	\$45.00
6	146541	Nut, hex, 2-56, stainless steel	\$0.75
7	71408	Battery, lithium coin cell	\$6.00
8	148950	Enclosure	\$180.00
9	146547	Screw, pan head, 2-56 x 1/4 Phillips, stainless steel	\$0.75
10	148922	Window	\$16.00
11	148951	Label, display	\$61.00

REPLACEMENT PARTS

MSI-9750A

Front Assembly



REPLACEMENT PARTS

MSI-9750A

Back Assembly



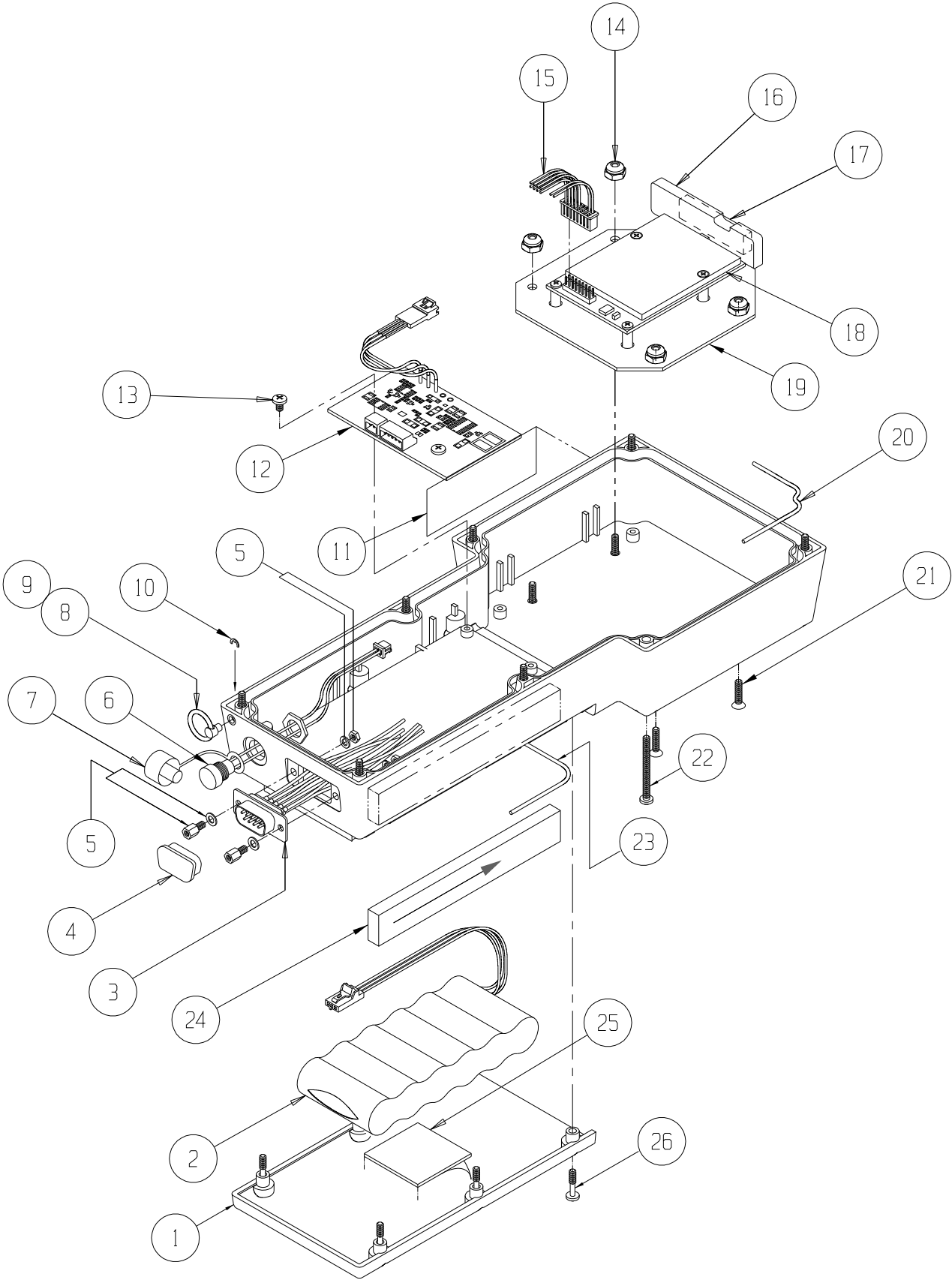
Part Number/Price

Item #	Part #	Description	Price
1	148950	Enclosure	\$180.00
2	143709	Battery assembly 7.2 volt	\$150.00
3	149079	Cabel assembly, RS232	\$120.00
4	143787	Dust cover	\$4.00
5	143751	Screwlock assembly female 4-40	\$4.00
6	148949	Cable assembly, power jack	\$45.00
7	144095	Cover power jack	\$15.00
8	148953	Lanyard pin 1/8 in	\$22.00
9	144096	Split ring .6	\$2.00
10	144097	E-clip .125	\$2.00
11	148637	Tag, serial	\$3.35
12	148955	PCA, battery charger	\$225.00
13	143842	Screw, pan head, 4-24 x 3/16, Phillips, stainless steel	\$0.75
14	146627	Nut, hex, #6, nyloc	\$0.75
15	138489	Cable assembly, 2450 modem to CPU	\$88.00
16	143454	Antenna housing with straight MMCX connector	\$105.00
17	148799	Pad, poron 1.5 x .375 x .188	\$2.35
18	144158	2450 modem, RF, 2.4 GHz	\$645.00
19	149112	Mounting bracket, 2450 modem	\$44.00
20	143843	Gasket, enclosure	\$16.00
21	146577	Screw, flat head, 6-32 x 1/2, Phillips, stainless steel black	\$0.75
22	143881	Screw, pan head, 4-40 x 1.38, Phillips, stainless steel	\$2.00
23	143844	Gasket, battery	\$16.00
24	148859	Pad poron 4.25 x .63 x .25	\$2.35
25	148837	Pad poron 1.25 x 1.25 x .60	\$2.35
26	143882	Screw, pan head, 4-40 x .50 Phillips, stainless steel	\$2.00

REPLACEMENT PARTS

MSI-9750A

Back Assembly



REPLACEMENT PARTS

MSI-9850

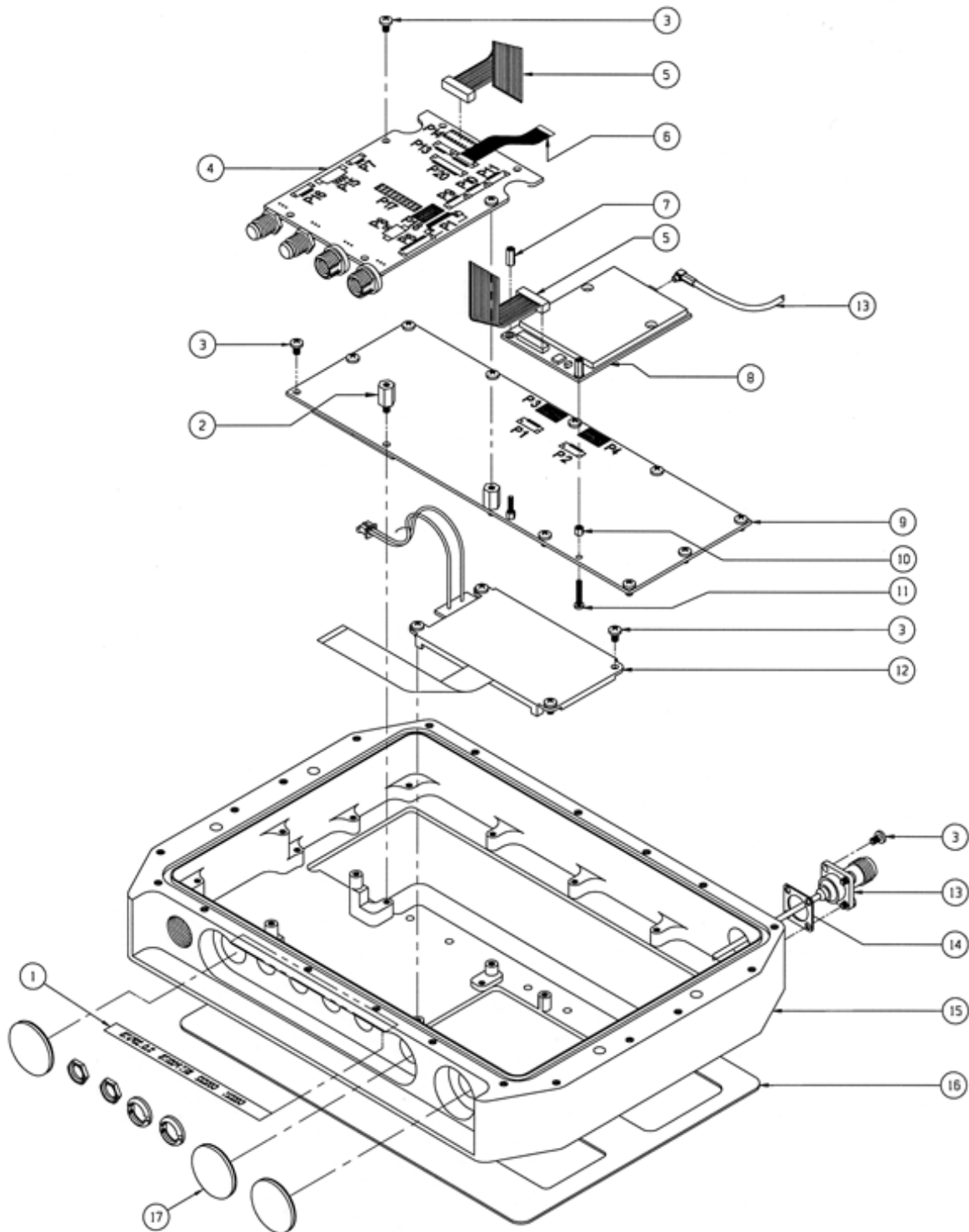
Meter Assembly



Part Number/Price

Item #	Part #	Description	Price
1	149148	Label, connector, 9850 description	\$18.00
2	143305	Standoff, hex, 3/8 LG, stainless steel	\$5.00
3	128088	Screw, pan head, 4-40 x 1/4, Phillips, stainless steel	\$0.50
4	138291	PCA, ARM microcontroller, 9850 pico mount	\$1,290.00
5	144224	Cable, IDC plug	\$25.00
6	143227	Cable, flat flex	\$19.00
7	144376	Standoff, hex, 2-56 x 1/8 x .312 LG, steel	\$4.00
8	144158	2450 modem, RF, 2.4 GHz	\$645.00
9	148971	PCA, display, LED	\$525.00
10	144375	Standoff, hex, 2-56 x 1/8 x .125 LG, steel	\$4.00
11	146591	Screw, pan head, 2-56 x 3/8, stainless steel	\$0.75
12	138333	Assembly, display, LCD	\$160.00
13	149080	Cable assembly, antenna	\$120.00
14	143336	Gasket, flange mtg, .689 SQ	\$10.50
15	149045	Enclosure	\$895.00
16	149056	Label, keypad	\$265.00
17	149094	Plug, 1.00 x .063, with adhesive	\$5.00
—	Consult	Cover, enclosure	\$55.00
—	Consult	Assembly, O-ring	\$6.85

REPLACEMENT PARTS



REPLACEMENT PARTS

MSI-9850

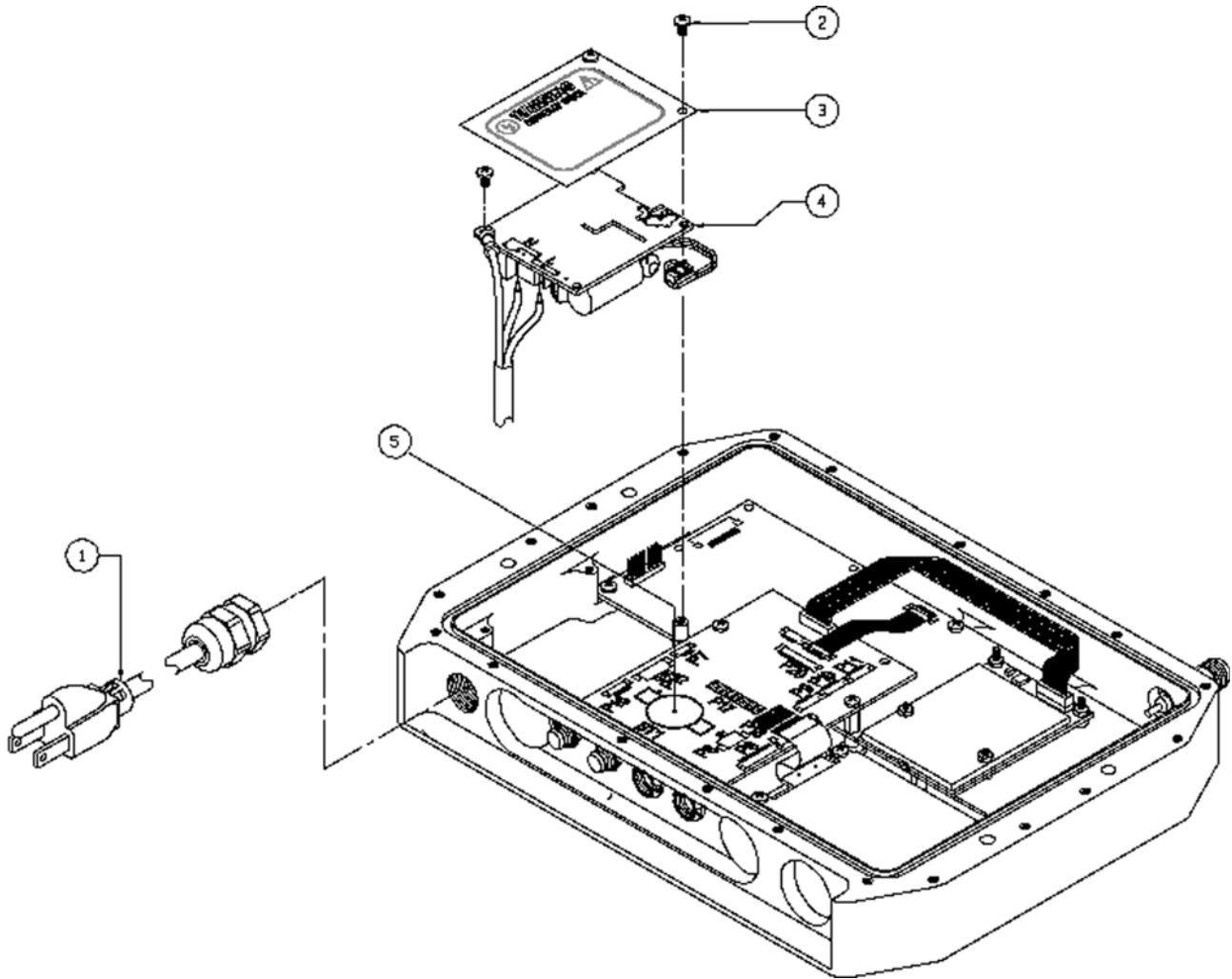
Power Assembly



Part Number/Price

Item #	Part #	Description	Price
1	138331	Assembly, AC power cord	\$76.00
2	144536	Screw, pan head, 4-40 x 1/4, Phillips, stainless steel	\$0.75
3	138334	Label, warning	\$10.00
4	138332	Power supply, 85-265 VAC	\$225.00
5	71408	Battery, lithium	\$6.00

REPLACEMENT PARTS



REPLACEMENT PARTS

MSI-9020 CellScale

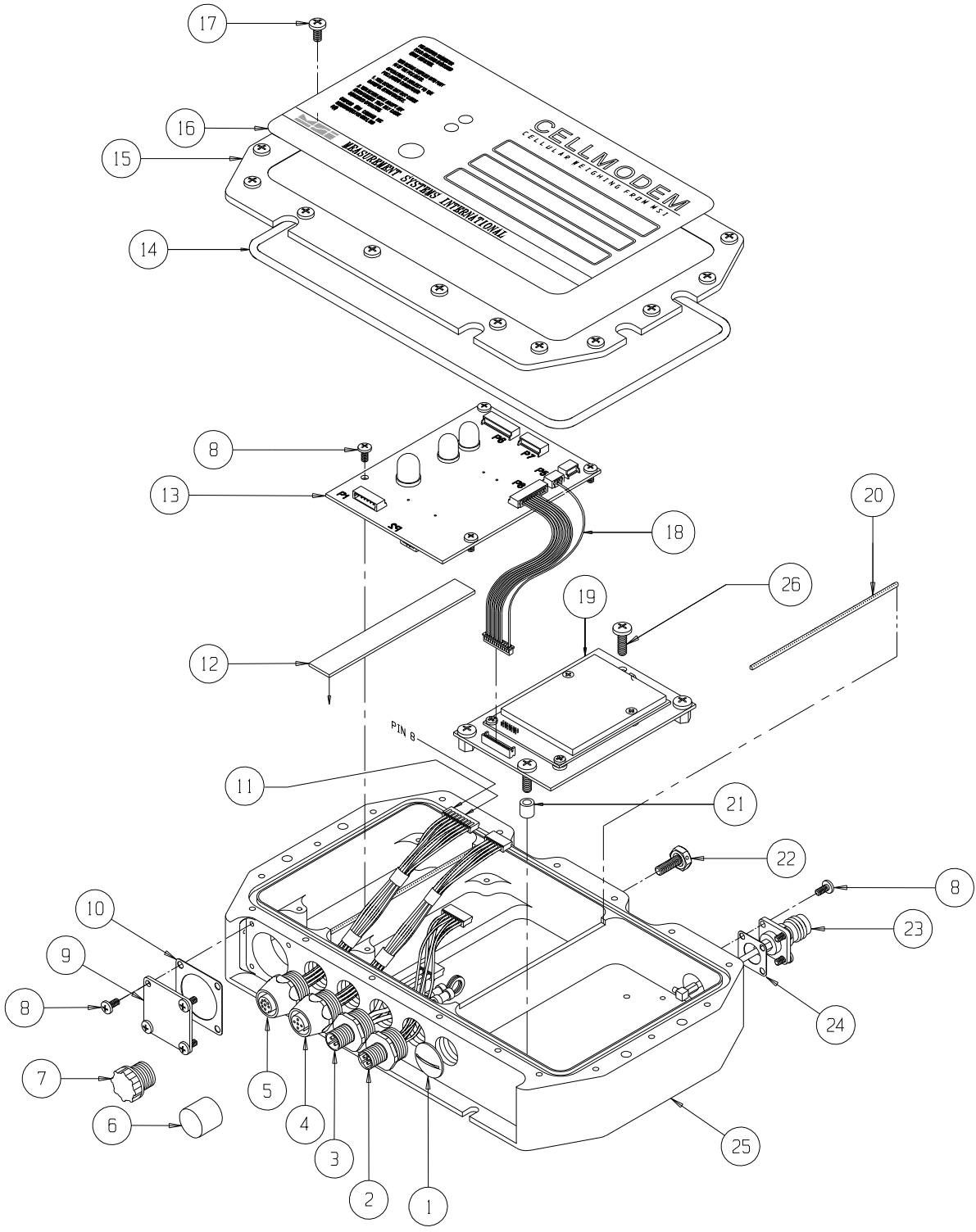


Part Number/Price

Item #	Part #	Description	Price
1	143746	Closure cap, connector	\$13.00
2	148988	Connector assembly, power & switch input	\$68.00
3	148811	Connector assembly, power input	\$120.00
4	149000	Connector assembly, RS422	\$99.00
5	137503	Connector assembly, RS232	\$160.00
6	143353	Closure cap, connector, female	\$2.00
7	143352	Closure cap, connector, male	\$3.00
8	144536	Screw, pan head, 4-40 x 1/4, Phillips, stainless steel	\$0.75
9	148630	Plate, cover	\$65.00
10	142500	Gasket	\$7.00
11	143696	Connector, housing	\$0.75
12	143309	Pad, thermal, conductive, 3.6 x .5 x .1	\$16.00
13	137528	PCA, power supply, AC	\$1,200.00
14	148488	O-Ring assembly	\$13.00
15	148566	Cover, enclosure	\$225.00
16	148794	Label, descriptive	\$160.00
17	142197	Screw, pan head, 6-32 x 5/16, Phillips, stainless steel	\$2.00
18	149125	Cable assembly, power supply to 2450 adapter	\$88.00
19	138306	PCA, with 2450 modem assembly	\$645.00
20	143307	Gasket, foam filled mesh, EMI	\$4.00
21	144227	Spacer, #6, 1/4	\$3.00
22	142591	Screw, seal, 8-32 x .4375, stainless steel	\$23.00
23	148680	Cable assembly, antenna	\$93.00
24	143336	Gasket, flange	\$10.50
25	148683	Enclosure	\$795.00
26	146605	Screw, pan head, 6-32 x 1/2, Phillips, stainless steel	\$0.75

REPLACEMENT PARTS

MSI-9020 CellScale



REPLACEMENT PARTS

MSI-9000 CellScale

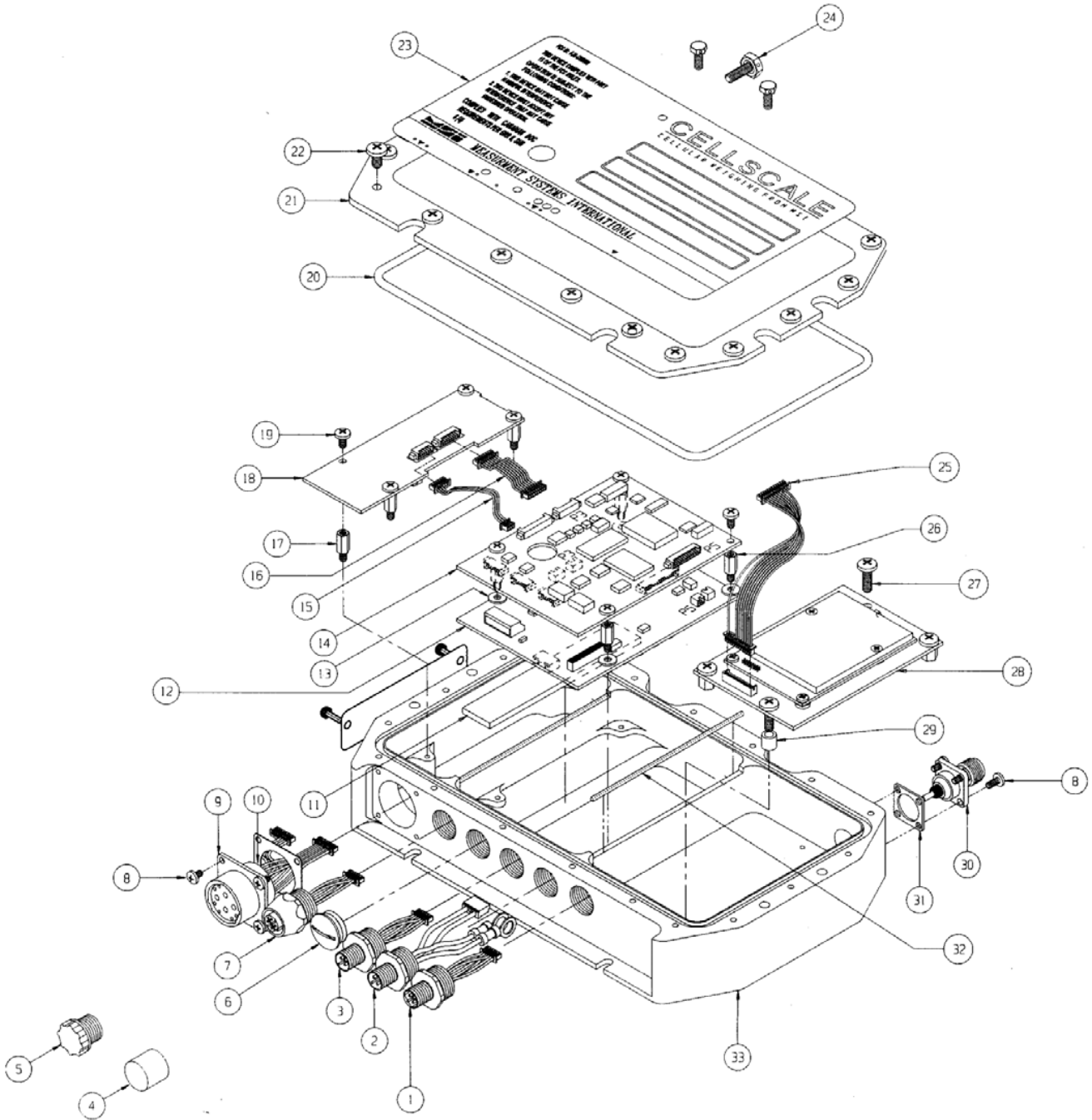


Part Number/Price

Item #	Part #	Description	Price
1	148989	Connector assembly, power & switch input	\$92.00
2	148811	Cable assembly, power input	\$120.00
3	148583	Connector assembly, serial I/O interface, male	\$130.00
4	143353	Closure cap, connector, female	\$2.00
5	143352	Closure cap, connector, male	\$3.00
6	143746	Plug, domed PG9	\$13.00
7	148584	Connector assembly, serial I/O interface, female	\$99.00
8	144536	Screw, pan head, 4-40 × 1/4, Phillips, stainless steel	\$0.75
9	148580	Connector assembly, L/C input	\$190.00
10	142500	Gasket flange, 1.125 square	\$7.00
11	143309	Pad, 3.6 × 0.5 × 0.1	\$16.00
12	137534	AC power supply PCA	\$705.00
13	143384	Washer, flat #4	\$2.00
14	148547	Micro-Controller PCA	\$580.00
15	148868	Cable assembly, A/D to power supply	\$25.00
16	148612	Cable assembly, A/D micro-controller	\$25.00
17	142948	Standoff, hex, 3/8 Lg, 4-40 × 0.188, aluminum	\$3.00
18	148548	High resolution PCA, A/D	\$380.00
19	128088	Screw, pan head, 4-40 × 1/4, Phillips, stainless steel	\$0.50
20	148488	O-ring assembly	\$13.00
21	148566	Cover, enclosure	\$225.00
22	142197	Screw, 6-32 × 5/16 machined, stainless steel	\$2.00
23	148934	Label, descriptive	\$61.00
24	142591	Screw, seal, 8-32 × 0.4375, FDA, stainless steel	\$23.00
25	149085	Cable assembly, micro-controller to 2450 modem	\$70.00
26	143306	Standoff, hex, 0.312 Lg, 4-40 × 0.188, aluminum	\$3.00
27	146605	Screw, pan head, 6-32 × 1/2, Phillips, stainless steel	\$0.75
28	138304	PCA with 2450 modem	\$645.00
29	144227	Spacer, round, 1/4 diameter aluminum, #6 CL × 1/4 LG	\$3.00
30	148680	Cable assembly, antenna	\$93.00
31	143336	Gasket flange, 0.689 square	\$10.50
32	143307	Gasket, foam filled mesh, EMI	\$4.00
33	148683	Enclosure, CellScale	\$795.00

REPLACEMENT PARTS

MSI-9000 CellScale



REPLACEMENT PARTS

MSI-9002 CellScale

Breakout / Summing Box



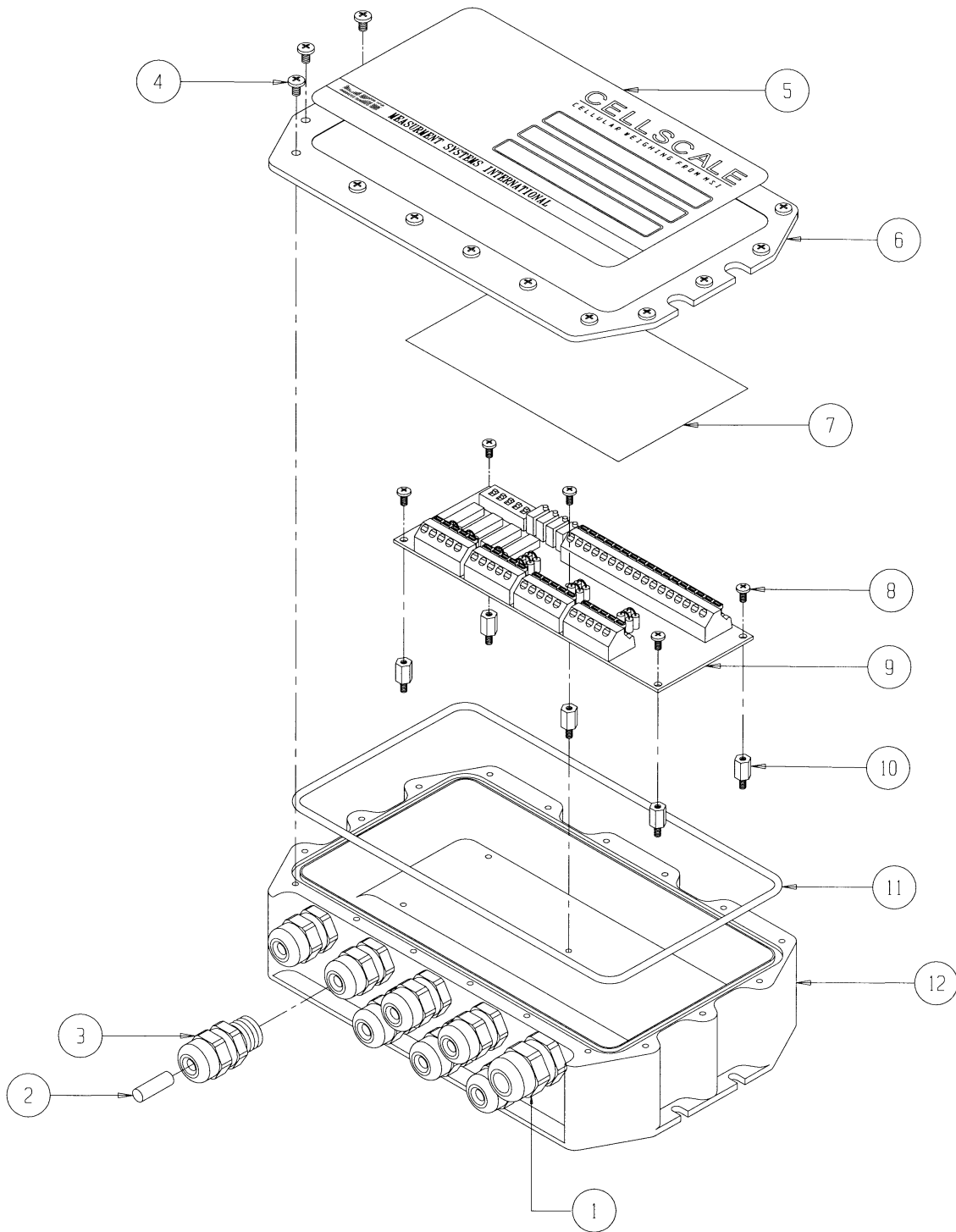
Part Number/Price

Item #	Part #	Description	Price
1	143636	Cord grip, PG11	\$8.00
2	141991	Pin, acetal, 1/4 diameter × 3/4	\$0.75
3	141593	Cord grip, PG9	\$7.00
4	146601	Screw, pan head, 6-32 × 1/4, Phillips, stainless steel	\$0.75
5	148758	Label, descriptive	\$49.00
6	148759	Cover, enclosure	Consult
7	137542	Label, wiring detail	\$7.00
8	128088	Screw, pan head, 4-40 × 1/4, Phillips, stainless steel	\$0.50
9	137091	PCA assembly	\$465.00
10	143305	Standoff, hex, 3/8 Lg, 4-40 × 0.188, stainless steel	\$5.00
11	148488	O-ring assembly	\$13.00
12	148625	Enclosure, breakout / summing box	\$525.00

REPLACEMENT PARTS

MSI-9002 CellScale

Breakout / Summing Box



REPLACEMENT PARTS

MSI-6000 Check-Weigh

Head Assembly



Part Number/Price

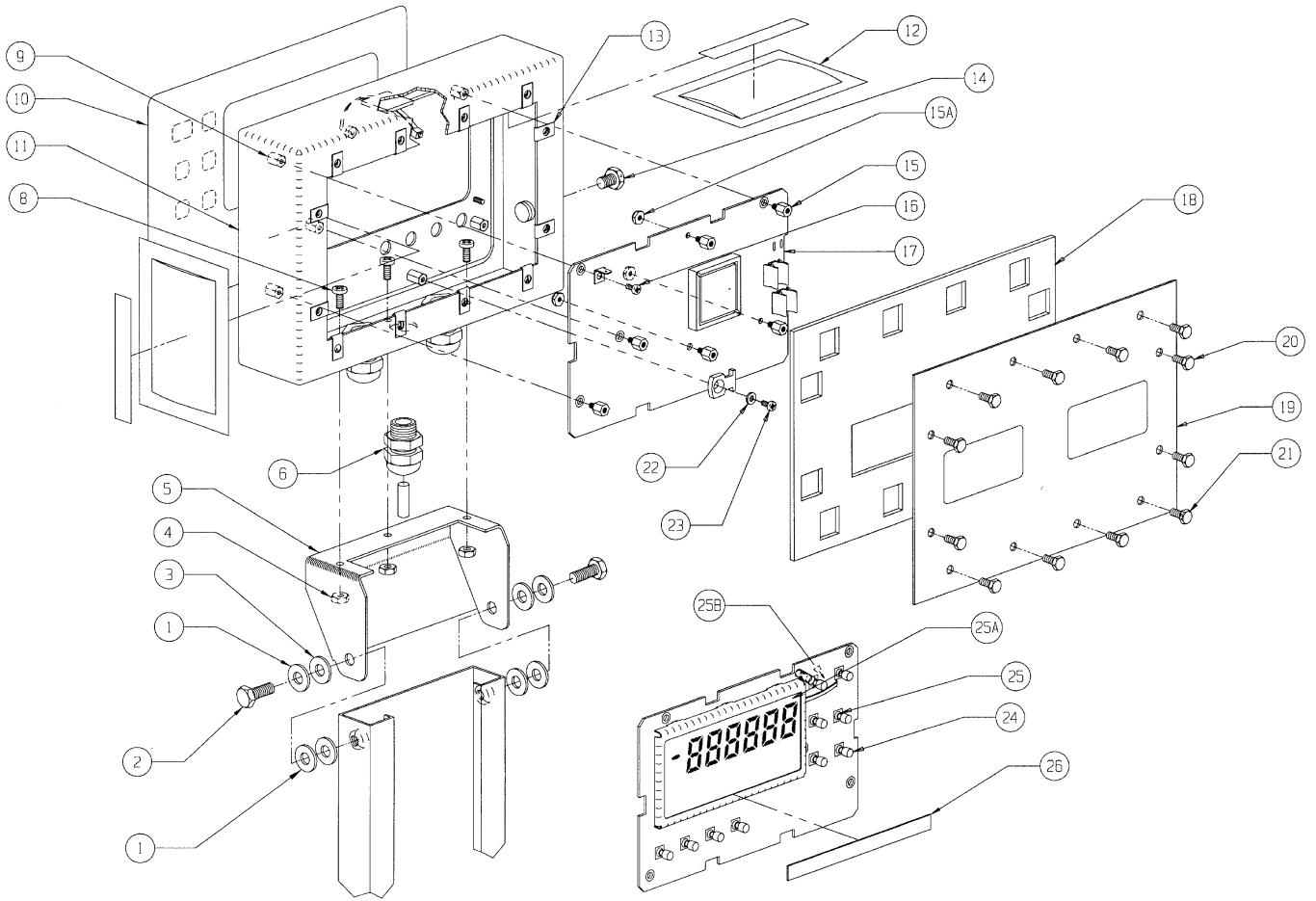
Item #	Part #	Description	Price
1	146532	Washer, flat, 1/4, stainless steel	\$0.75
2	21948	Bolt, hex head, 1/4-20 × 5/8, stainless steel	\$2.90
3	142167	Washer, nylon, .260 × .687 × .060	\$0.75
4	65784	Nut, hex, 8-32, stainless steel	\$0.25
5	148224	Bracket, mounting	\$130.00
6	141593	Connector, feed through, with nut	\$7.00
8	142082	Screw, seal, pan head, 8-32 × 3/8, Phillips, stainless steel	\$11.00
9	142989	Standoff, hex, 4-40 × 3/8, aluminum	\$4.00
10	148560	Label	\$130.00
11	134647	Head	\$630.00
12	141708	Desiccant	\$1.00
13	142104	U-Nut, 8-32	\$2.00
14	142209	Screw, seal, hex head, 1/4-20 × 3/8, stainless steel	\$13.00
15	142989	Standoff, hex 1/4 stainless steel	\$4.00
15A	146635	Nut hex, 4-40, nyloc	\$2.00
16	142233	Screw, pan head, locking, 4-40 × 3/16, Phillips, stainless steel	\$2.00
17	136161	PCB, AC, computer/display	\$1,600.00
17	136160	PCB, DC, computer/display	\$1,600.00
18	148190	Gasket	\$14.00
19	148176	Panel	\$99.00
20	146025	Screw, hex head, 8-32 × 7/16, stainless steel	\$4.00
20A	146241	Washer, seal #8	\$3.00
21	142591	Screw, seal, hex head, 8-32 × 7/16, drilled	\$23.00
22	146201	Washer, flat, .120 × .280, nylon	\$4.00
23	128088	Screw, pan head, 4-40 × 1/4, Phillips, stainless steel	\$0.50
24	142126	Cap, black	\$2.00
25	141739	Switch	\$5.00
25A	147875	LCD liquid crystal	\$93.00
25B	141979	Fuse, 1/4 amp	\$13.00
26	Consult	Label, specify capacity, 1st generations	Consult
26	Consult	Label, specify capacity, current generation	Consult

Due to the large number of possible configurations of this assembly, please contact factory for assistance.

REPLACEMENT PARTS

MSI-6000 Check-Weigh

Head Assembly



REPLACEMENT PARTS

MSI-6000 Check-Weigh

Base Assembly 6 & 12 lb



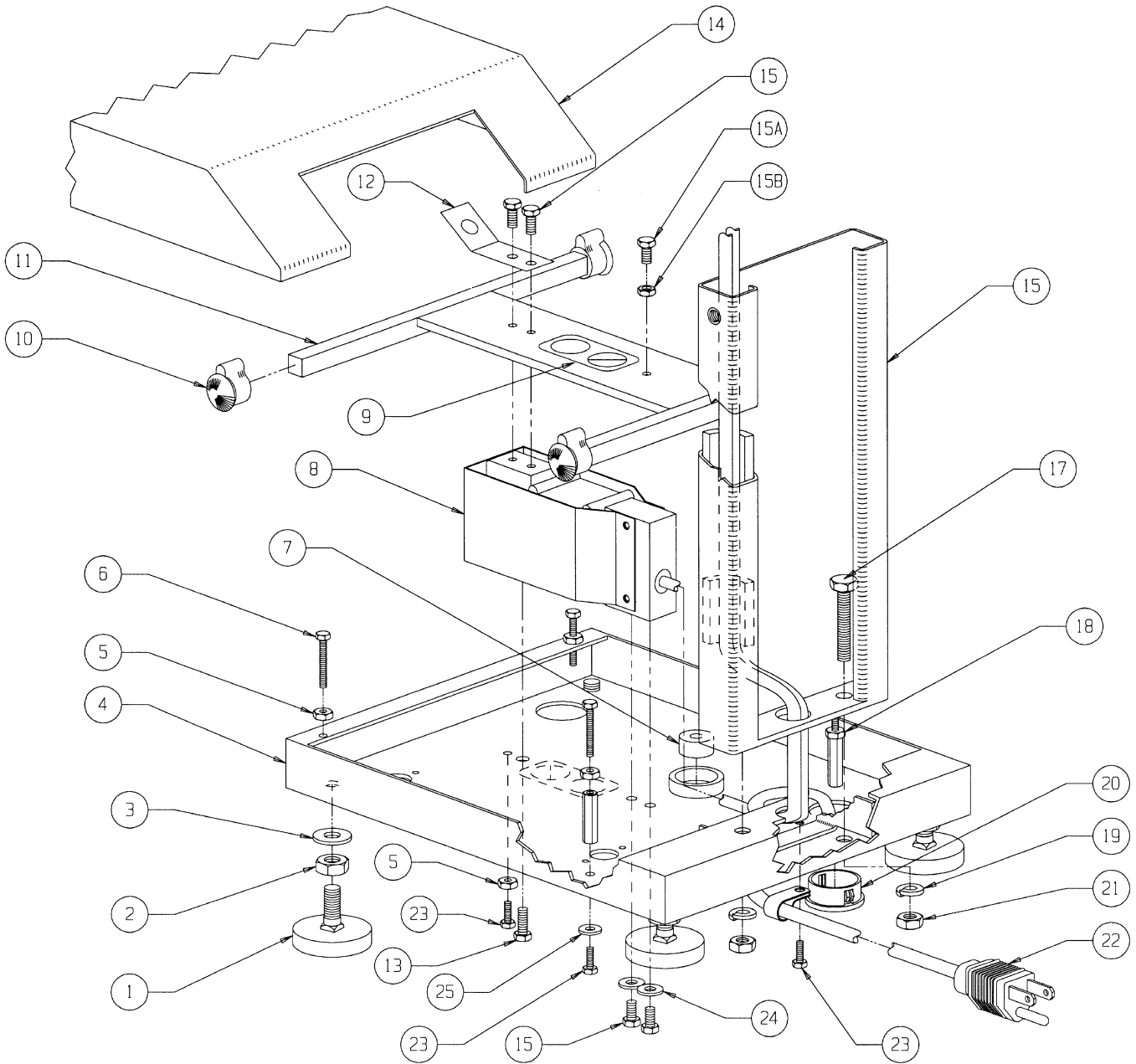
Part Number/Price

Item #	Part #	Description	Price
1	134969	Foot, support	\$24.00
2	146661	Nut, hex, 5/16-18, stainless steel	\$2.00
3	44237	Washer, flat, 5/16, stainless steel	\$2.00
4	148234	Base	\$370.00
5	65784	Nut, hex, 8-32, stainless steel	\$0.25
6	146027	Bolt, hex head, 8-32 × 1, stainless steel	\$2.00
7	56987	Level, circular	\$9.00
8	134889	Load cell assembly, 6 lb, 350Ω (AC power)	\$1,210.00
8	134891	Load cell assembly, 6 lb, 2000Ω (DC power)	\$1,210.00
8	134890	Load cell assembly, 12 lb, 350Ω (AC power)	\$1,210.00
8	134892	Load cell assembly, 12 lb, 2000Ω (DC power)	\$1,210.00
9	148305	Label, warning	\$23.00
10	149781	Bumper	\$16.00
11	148275	Spider	\$255.00
12	149741	Ground strap	\$59.00
13	146030	Bolt, hex head, 10-32 × 1/2, stainless steel	\$2.00
14	148240	Platter	\$255.00
15	146029	Bolt, hex head, 10-32 × 3/8, stainless steel	\$2.00
15A	146028	Screw, hex head, 10-32 × 5/16, stainless steel	\$2.00
15B	81941	Nut, hex head, 10-32, stainless steel	\$0.50
16	148235	Neck	\$150.00
17	106452	Bolt, hex head, 1/4-20 × 1-1/2, stainless steel	Consult
18	141814	Standoff, 1/4 hex, 8-32 × 1, stainless steel	\$7.00
19	15148	Washer, lock, split, 1/4, stainless steel	\$1.00
20	142193	Grommet	\$2.00
21	14642	Nut, hex, 1/4-20, stainless steel	\$1.50
22	148228	Cable, power	\$30.00
23	146023	Bolt, hex head, 8-32 × 3/8, stainless steel	\$0.75
24	15141	Washer, flat, #10, stainless steel	\$1.10
25	146531	Washer, flat, #8, stainless steel	\$0.75

REPLACEMENT PARTS

MSI-6000 Check-Weigh

Base Assembly 6 & 12 lb



REPLACEMENT PARTS

MSI-6000 Check-Weigh

Base Assembly 30 to 220 lb



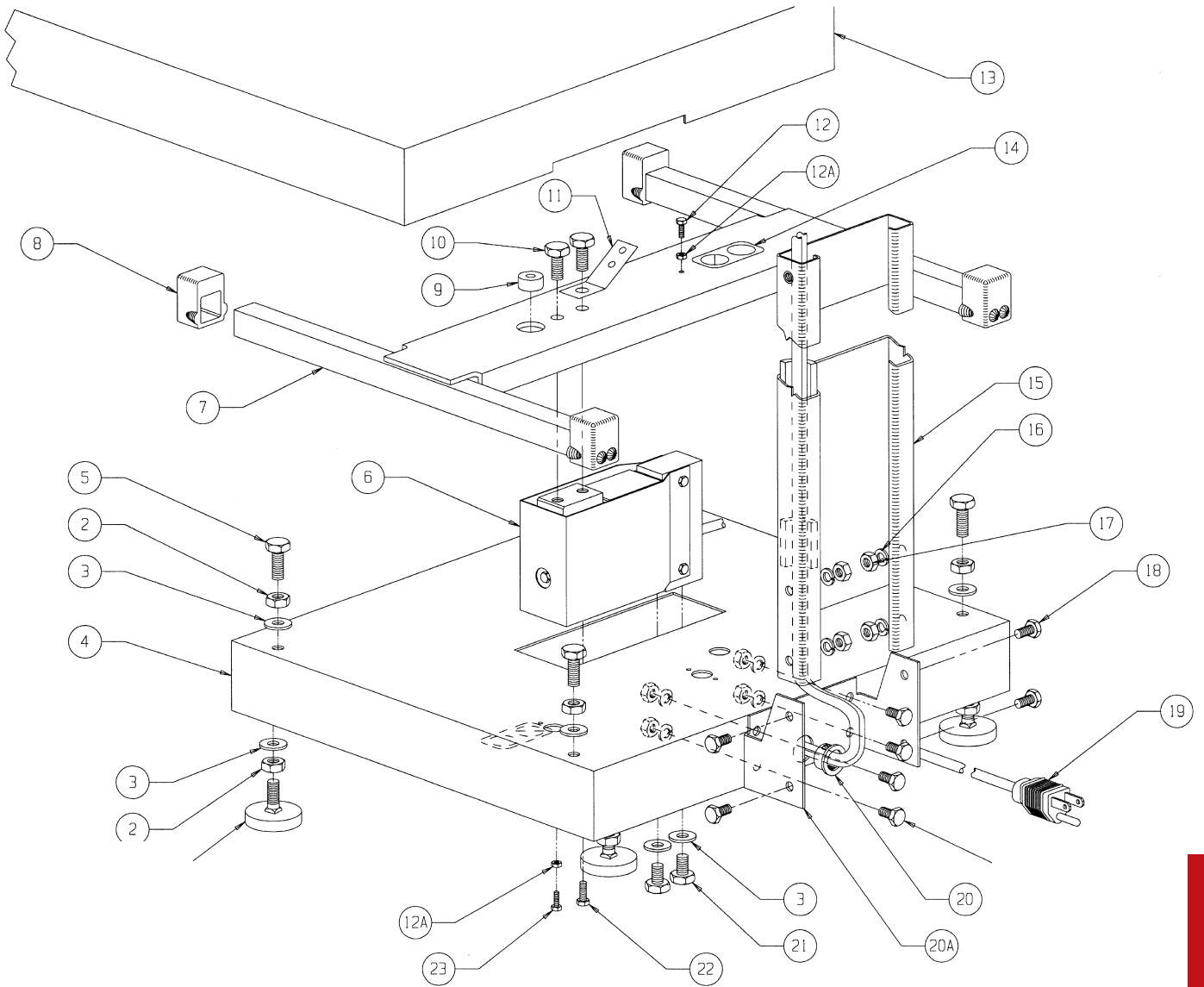
Part Number/Price

Item #	Part #	Description	Price
1	134969	Foot, support	\$24.00
2	146661	Nut, hex, 5/16-18, stainless steel	\$2.00
3	44237	Washer, flat, 5/16, stainless steel	\$2.00
4	148239	Base	\$645.00
5	26669	Bolt, hex head, 5/16-18 x 3/4, stainless steel	\$2.00
6	134911	Load cell assembly, 30/60 lb, 350Ω (AC power)	\$1,210.00
6	134913	Load cell assembly, 30/60 lb, 2000Ω (DC power)	\$1,210.00
6	134912	Load cell assembly, 120/220 lb, 350Ω (AC power)	\$1,210.00
6	134914	Load cell assembly, 120/220 lb, 2000Ω (DC power)	\$1,210.00
7	148242	Spider	\$435.00
8	148241	Bumper	\$19.00
9	56987	Level, circular	\$9.00
10	146041	Bolt, hex head, 5/16-24 x 5/8, stainless steel	\$2.00
11	149741	Ground strap	\$59.00
12	146025	Bolt, hex head, 8-32 x 1/2, stainless steel	\$4.00
12A	65784	Nut, hex, 8-32, stainless steel	\$0.25
13	148243	Platter	\$255.00
14	148305	Label, warning	\$23.00
15	148210	Neck	\$170.00
16	15148	Washer, lock, split, 1/4, stainless steel	\$1.00
17	14642	Nut, hex, 1/4-20, stainless steel	\$1.50
18	14956	Bolt, hex head, 1/4-20 x 1/2, stainless steel	\$1.50
19	148228	Cable, power	\$30.00
20	142192	Grommet	\$2.00
20A	148201	Bracket neck mounting	\$180.00
21	146040	Bolt, hex head, 5/16-24 x 1/2, stainless steel	\$2.00
22	146030	Bolt, hex head, 10-32 x 1/2, stainless steel	\$2.00
23	146024	Bolt, hex head, 8-32 x 7/16, stainless steel	\$6.00

REPLACEMENT PARTS

MSI-6000 Check-Weigh

Base Assembly 30 to 220 lb



REPLACEMENT PARTS

