

160-10-7N

DIGITAL ATHLETIC SCALE

LOW-PROFILE

Rice Lake's 160-10-7N low-profile digital athletic scale offers superior accuracy and built-in durability for repetitive use in settings where a Legal for Trade scale is needed. It is slip-resistant, demands little space and is exceptionally portable. The 160-10-7N low-profile scale features a very low, 1.65-inch rise.



Actual height of low profile (1.65 inches)

FEATURES

- Large, stable scale base
- Push-button LCD display
- Unit of measure toggle or locking
- Motiontrap™ movement compensation technology
- EMR capable
- Zero function
- Factory calibrated

SPECIFICATIONS



Capacity:
550 × 0.2 lb (250 × 0.1 kg)

Platform Dimensions:
(L × W × H)
14.40 × 14.40 × 1.65 in

Power:
9 VDC, provided by six AA alkaline batteries (included) or 120V/230V AC adapter, NEMA 1-15 plug (included)

Battery Type:
Six AA alkaline (included)

Battery Use:
25 hours continuous use with batteries
Automatic power-off can be configured

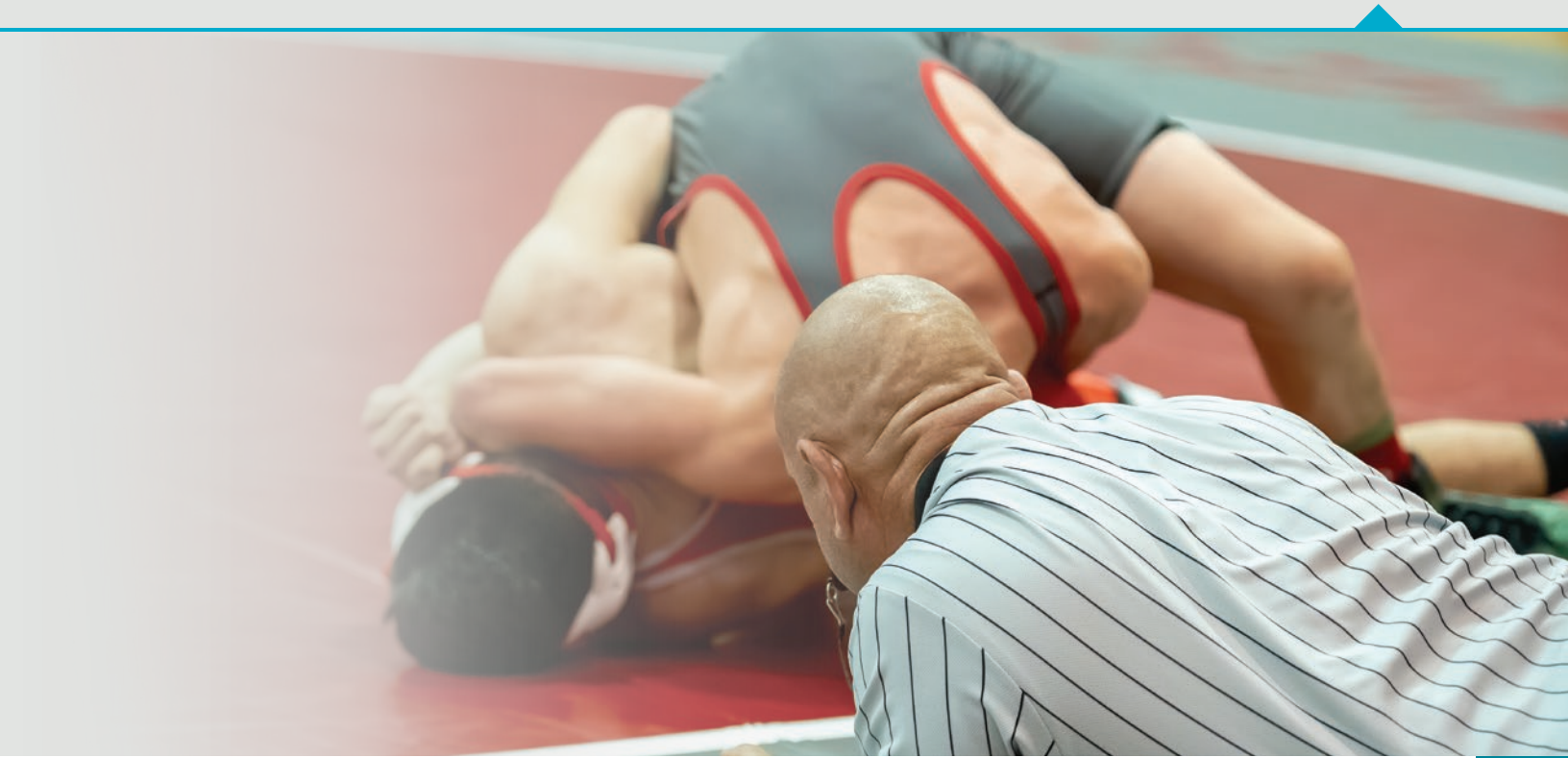
Operating Temperature:
50 °F to 104 °F (10 °C to 40 °C)

Cable Length:
6 ft (1.8 m) cable between scale base and indicator

Display:
5-digit LCD display, 0.75 in (1.9 cm) digit height

Approvals:
NTEP CC 18-011
Measurement Canada AM-6097
c-Met, E113986

Warranty:
Two-year limited



DIGITAL PHYSICIAN SCALE - LOW-PROFILE

MODEL	CAPACITY	COMMUNICATION	PART #
160-10-7N	550 x 0.2lb (250 x 0.1 kg)	USB	193355

OPTIONS

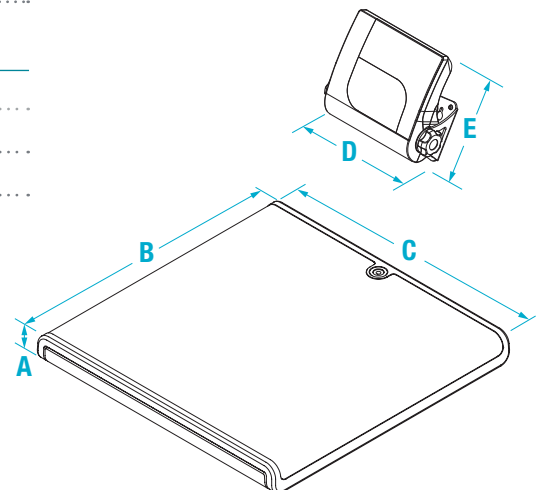
DESCRIPTION	PART #
Carrying case	107445
Epson TM-U220 tape printer	81076
Cable, RS232 scale to printer, 6 ft, 25-pin D-Sub (male) to RJ45	186830

SHIPPING WEIGHT

MODEL #	PART #	L (IN)	W (IN)	H (IN)	PACKAGE WGT. (LB)	DIM WGT. (LB)	SHIPPING WGT. (LB)
160-10-7N	193355	20	18	6	18	16	18

DIMENSIONS

	INCHES	CENTIMETERS		INCHES	CENTIMETERS
A	1.7	4.3	D	7.8	20.0
B	14.4	36.6	E	6.7	17.0
C	14.4	36.6			



PG 11

-
-
-
-
-