

# iQUBE<sup>3</sup>

Digital Diagnostic Junction Box



## Approvals



## Standard Features

- Designed for weighing systems using the 1280 Enterprise™ Series indicator
- iQUBE<sup>3</sup> CPU board: Four A/D channels, SD Slot, RS232/485, four DI/Os, Ethernet TCP/IP (wired), USB-C
- iQUBE<sup>3</sup> CPU board supports networking up to five iQUBE<sup>3</sup> four-channel boards (four A/D channels each), for a total of 24 A/D channels; connection can be up to four separate scales and a Total Scale
- Diagnostic routines for weighing errors and system health
- Additional diagnostics for overloaded, underloaded, zero reference, drift, noise and unbalanced conditions
- Onboard status LEDs for communication and visual bi-color indication of load cell health
- Load cell emulator compensates for a failed load cell
- Cal-Match® algorithm automatically trims and calibrates the scale in one pass of test weights
- Two option slots available

## Part Number/Price

Part #	Description	Est. Weight	Price
<b>With AC Power Supply</b>			
227157*	iQUBE <sup>3</sup> , four-channel, polycarbonate small junction box	9 lb	Consult
227158	iQUBE <sup>3</sup> , four-channel, polycarbonate large junction box	11 lb	Consult
227159	iQUBE <sup>3</sup> , eight-channel, polycarbonate large junction box	11 lb	Consult
227160	iQUBE <sup>3</sup> , four-channel, stainless steel small junction box	13 lb	Consult
<b>Without Power Supply</b>			
227161*	iQUBE <sup>3</sup> , four-channel, polycarbonate small junction box	8 lb	Consult
227162	iQUBE <sup>3</sup> , four-channel, polycarbonate large junction box	10 lb	Consult
227163	iQUBE <sup>3</sup> , eight-channel, polycarbonate large junction box	10 lb	Consult
227164	iQUBE <sup>3</sup> , four-channel, stainless steel small junction box	12 lb	Consult
<b>With DC Power Supply</b>			
227165	iQUBE <sup>3</sup> , four-channel, polycarbonate small junction box with transient protection	9 lb	Consult
227166	iQUBE <sup>3</sup> , four-channel, polycarbonate large junction box with transient protection	11 lb	Consult
227167	iQUBE <sup>3</sup> , eight-channel, polycarbonate large junction box with transient protection	11 lb	Consult
227168	iQUBE <sup>3</sup> , four-channel, stainless steel small junction box with transient protection	13 lb	Consult

\*Small iQUBE<sup>3</sup> required for truck scale junction box pocket.

## Options

- Fiber optic
- Analog output: 16-bit resolution, 0 to 10 VDC, 0 to 20 mA, 4 to 20 mA
- Relay or Serial (two RS-232 or RS-422/485)
- Wireless Ethernet TCP/IP
- Bridge resistance board

## Applications

- Truck and railroad scales
- Tank and hopper scales
- Multi-channel scales

## Specifications

### Voltage Input:

AC voltage: 100 to 240 VAC; 50/60 Hz  
DC voltage: 9 to 36 VDC

### Analog Signal Input Range:

-51 to +51 mV

### Analog Signal Sensitivity:

0.3 uV/grad at 30 Hz  
0.5 uV/grad at 100 Hz  
1.2 uV/grad at 500 Hz

### A/D Sampling Rate:

2.5 to 500 Hz (selectable)  
12.5 Hz (default)

### Digital I/O:

Four per card, for push-button operation, setpoint control or cell status  
24 mA per DIO at 5 V

### Communication Ports:

RS-232/RS-422/485  
USB-C  
Ethernet TCP/IP, wired standard  
Ethernet TCP/IP, optional wireless

### Load Cell Inputs:

Connect up to 24 load cells (four, per board)

### Load Cell Excitation:

3.3 VDC, 38 mA maximum per channel  
Up to 24 × 350 ohm load cells

### Rating/Material:

Polycarbonate (NEMA Type 4X) enclosure  
Stainless steel (NEMA Type 4X) enclosure with hinged cover

### Temperature:

Certified: 14 °F to 104 °F (-10 °C to 40 °C)  
Operating: -40 °F to 140 °F (-40 °C to 60 °C)  
Storage: -40 °F to 158 °F (-40 °C to 70 °C)

### Warranty:

Two-year limited

### Approvals:

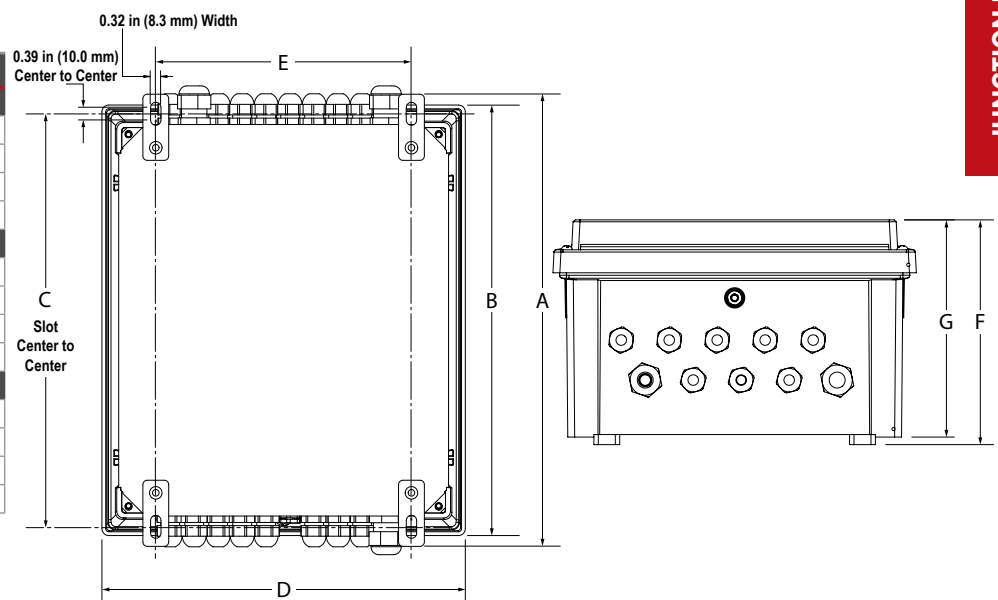
NTEP 25-041  
Measurement Canada (pending)  
cULus (pending)  
CE Marked (pending)

### Options/Accessories

Part #	Description	Price
231373	iQUBE <sup>3</sup> CPU board, four-channel with cables and connectors	Consult
227169	iQUBE <sup>3</sup> , four-channel board, four-channel with cables and connection	Consult
231372	Enclosure, iQUBE <sup>3</sup> , four-channel, polycarbonate small junction box (no CPU)	Consult
227171	Power supply, 115/230 VAC input, 24VDC output, FRP enclosure, iQUBE <sup>3</sup> remote power	Consult
230935	Bridge resistance card assembly, four-channel	Consult
232018	Transient board with mount (only used with multiple enclosures)	Consult
231993	iQUBE <sup>3</sup> enclosure, small, polycarbonate, includes kickstand bracket	Consult
231994	iQUBE <sup>3</sup> enclosure, large, polycarbonate, includes kickstand bracket	Consult
231995	iQUBE <sup>3</sup> enclosure, stainless steel	Consult
215178	Enclosure mounting tabs-new style (set of 4, includes screws), polycarbonate	Consult
195084	Analog card, kit	Consult
211709	Relay card, kit	Consult
<b>Conduit Adapter</b>		
92734	Conduit adapter 1/2 in NPT to 3/4 in NPT	Consult
92735	Conduit adapter 3/8 in NPT to 3/4 in NPT	Consult
<b>Communication Card</b>		
211710	Serial Output, dual serial card for iQUBE <sup>3</sup> install kit	Consult
230919	iQUBE <sup>3</sup> fiber optic kit	Consult
231366	Wireless LAN 802.11 A/B (factory install required)	Consult
<b>Duplex Fiber (Max Run 500 ft)</b>		
78026	Fiber-optic cable, 100 ft (includes polishing kit)	Consult
78027	Fiber-optic cable, 200 ft (includes polishing kit)	Consult
78910	Fiber-optic cable, duplex 1.00 mm core 2.2 mm, custom length	Consult/ft
<b>1280 Indicators for use with iQUBE<sup>3</sup></b>		
189623	1280 7 inch touch-only, AC power supply, no power cord, standard display, without A/D	Consult
188526	1280 7 inch touch-only, AC power supply, no power cord, high visibility display, without A/D	Consult
188395	1280 12 inch touch-only, AC power supply, no power cord, high visibility display, without A/D	Consult
181073	1280 Panel Mount, DC power supply, no power cord, standard display, without A/D	Consult
178473	1280 Panel Mount, AC power supply, no power cord, high visibility display, without A/D	Consult
205677	1280 Wall Mount, AC power supply, U.S. power cord, standard display, without A/D	Consult
171667	1280 Wall Mount, AC power supply, U.S. power cord, high visibility display, without A/D	Consult
174750	1280 Panel Mount, AC power supply, no power cord, standard display, without A/D	Consult
174207	1280 Universal, AC power supply, Europe power cord, standard display, without A/D	Consult
171582	1280 Universal, AC power supply, U.S. power cord, standard display, without A/D	Consult
188713	1280 Universal, DC power supply, no power cord, standard display, without A/D	Consult
171540	1280 Universal, DC power supply, no power cord, high visibility display, without A/D	Consult
172419	1280 Universal, AC power supply, U.S. power cord, high visibility display, without A/D	Consult

### Dimensions

iQUBE <sup>3</sup>			
Stainless Steel			
A	13.50 in (343 mm)	E	8.00 in (203 mm)
B	12.28 in (312 mm)	F	6.29 in (160 mm)
C	12.75 in (324 mm)	G	6.20 in (157 mm)
D	10.28 in (261 mm)		
Polycarbonate Small			
A	12.13 in (308 mm)	E	5.98 in (152 mm)
B	11.45 in (291 mm)	F	6.95 in (176 mm)
C	10.90 in (268 mm)	G	6.71 in (170 mm)
D	9.32 in (237 mm)		
Polycarbonate Large			
A	14.13 in (360 mm)	E	7.99 in (203 mm)
B	13.46 in (342 mm)	F	7.02 in (178 mm)
C	12.91 in (328 mm)	G	6.79 in (172 mm)
D	11.36 in (289 mm)		



JUNCTION BOXES / SIMULATORS