

Ishida IP-Ai

Label Printer with Remote Scale Base



IP-Ai pictured with optional wrap station components (47670, 47672, 102933, 178842)

FEATURES

- Packing House features (i.e., build a pallet)
- High-capacity label roll with more than five times the length of a standard roll
- Fixed high-capacity front-load cassette
- High-resolution printhead
- Prints safe handling instructions, country of origin, 2020 nutrition, custom text messages, custom images and more
- Batch printing
- Graphic-based QR code printing
- Large customizable color touchscreen with adjustable viewing angle and tactile keypad
- Assign color images to preset keys
- Display videos with sound
- PC-based with a solid-state drive for speed and reliability
- Secure remote access
- Fully compliant with RoHS regulations for a completely lead-free machine
- Optional Wi-Fi kit (factory installation recommended)
- Compatible with third-party software, including Upshop 360°, ADC's InterScale®, Invafresh's ePlum®, Toast®, Square® and Droste®



IP-Ai label cassette



IP-Ai 30 lb remote base



IP-Ai 60 lb remote base

MULTI-PURPOSE
RETAIL SCALESPRICE COMPUTING
SCALESPRICE COMPUTING
PRINTING SCALES

LABELERS

WRAPPING
SYSTEMSACCESSORIES
SOFTWAREPOWER
CONDITIONINGRETAIL
LABELS

WARRANTY

SPECIFICATIONS

<p>Power: 110 to 120 VAC, 50/60 Hz</p> <p>Power Consumption: In operation: 120 W Stand-by: 50 W</p> <p>Resolution: 30 lb base, 3,000 display divisions maximum 60 lb base, 6,000 display divisions maximum</p> <p>Communications: LAN Static/DHCP Optional Wi-Fi 802.11a/b/g/n/ac 2.4 GHz/5 GHz Security: WEP/WPA/WPA2</p> <p>Input/Output: LAN Four USB-A (service, transaction data) SD card (for transaction data, 16GB max)</p>	<p>Operating System: Linux</p> <p>Memory Capacity: SSD 2 GB</p> <p>Preset Keys: 99 dynamically programmed groups with 99 sub pages 19 tactile function keys</p> <p>Display: Operator: Resistive thin film analogue touch panel, TFT LCD color touchscreen with LED backlight with SVGA 12.1 in (800 × 600 px) Unit price: six digits Tare: four digits Weight: five digits Total price: eight digits</p>	<p>Printer: Printhead: 3.1 in (80 mm) direct thermal, effective 3 in (78 mm) Resolution: 300 dpi (12 dot/mm) Speed: 5.9 in/sec (150 mm/sec) max Min. weight: 30 lb, 0.015 lb (0.006 kg) 60 lb, 0.03 lb (0.015kg) Formats: customizable, up to 999 Barcodes: UPC, JAN, EAN, EAN128, CODE128, ITF, GS1, Custom</p> <p>Label Size: Type: Die-cut Width: 1.5 to 3.1 in (38 to 80 mm) Length: 1.2 to 7.9 in (30 to 200 mm)</p> <p>Label Roll: I.D.: 3.0-in (76 mm) min O.D.: 9.0-in (230 mm) max Backing width: 3.2-in (82 mm) max</p>	<p>Platter: 30 lb: 16 × 10 in (406 × 254 mm) 60 lb: 15.5 × 10.5 in (394 × 267 mm)</p> <p>Weight: Approx. 55 lb (25 kg)</p> <p>Temperature: Operating: 32 °F to 104 °F (0 °C to 40 °C)</p> <p>Humidity: 20 to 85% (without condensation)</p> <p>Warranty: One-year limited</p> <p>Approvals: NTEP 06-029 cULus Listed</p>
----------------------------------------------------------------------------------------------------------------------------------------------------------------------------------------------------------------------------------------------------------------------------------------------------------------------------------------------------------------------------------------------------------------------------------------------------------------------------------------------------------------------------	--------------------------------------------------------------------------------------------------------------------------------------------------------------------------------------------------------------------------------------------------------------------------------------------------------------------------------------------------------------------------------------------------------------------------------------------------------------------------	------------------------------------------------------------------------------------------------------------------------------------------------------------------------------------------------------------------------------------------------------------------------------------------------------------------------------------------------------------------------------------------------------------------------------------------------------------------------------------------------------------------------------------------------------------------------------------------------------------	----------------------------------------------------------------------------------------------------------------------------------------------------------------------------------------------------------------------------------------------------------------------------------------------------------------------------------------------------------------------------------------------------



PART NUMBER/PRICE

PART #	MODEL/DESCRIPTION	SINGLE-RANGE CAPACITY	DUAL-RANGE CAPACITY	EST. SHIP WEIGHT	PRICE
220065	IP-Ai, large label-roll capacity labeler with color touchscreen and remote scale base	0 to 30 × 0.01 lb	0 to 15 × 0.005 lb / 15 to 30 × 0.01 lb	71 lb 21 × 22 × 32 in	Consult
220066	IP-Ai, large label-roll capacity labeler with color touchscreen and remote scale base	0 to 60 × 0.01 lb		71 lb 21 × 22 × 32 in	Consult

Ishida IP-Ai

Label Printer with Remote Scale Base

OPTIONS/ACCESSORIES

PART #	DESCRIPTION	PRICE
47670	Wrap station base, (W × D × H) 22 × 23 × 32 in	Consult
47672	Wrap station left wing, (W × D) 14 × 22 in	Consult
102933	Wrap station right wing without hood, (W × D) 14 × 34 in	Consult
104948	Scale base alignment plate	Consult
178842	Shelf assembly with additional support leg	Consult
Consult	Bracket for the right side shelf	Consult
155176	Day Glow label dispenser for PN 47670	Consult
151761	Day Glow label dispenser spacer, pack of ten	Consult
53866	Wrap station replacement heat pad cover, (W × D) 15 × 6 in	Consult
98400	Ten key cover, self adhesive	Consult
174110	SD memory card, 2 GB, for CPU board version PK-260B	Consult
186485	Stainless steel base plate stabilizer	Consult
160906	USB flash memory, 1 GB	Consult

COMMUNICATION

PART #	DESCRIPTION	PRICE
219408	Internal wireless communication 802.11a/b/g/n/ac 2.4 GHz/5 GHz (factory installation recommended)	Consult
152628*	ScaleLink Pro 5 license file, one license required per computer	Consult
78860	Cross cable, Ethernet CAT5, 6 ft	Consult

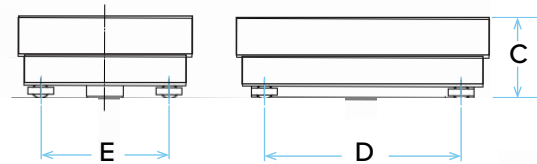
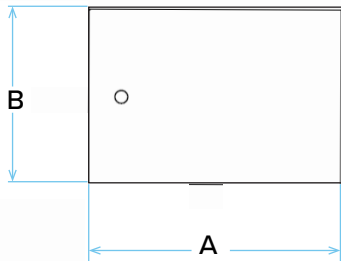
*License file required for operation. Must supply store name and address at time of order. One license required per location.

NOTE: Manuals and software programs can be downloaded from the distributor section of www.ricelake.com/retail

DIMENSIONS

60 lb Base

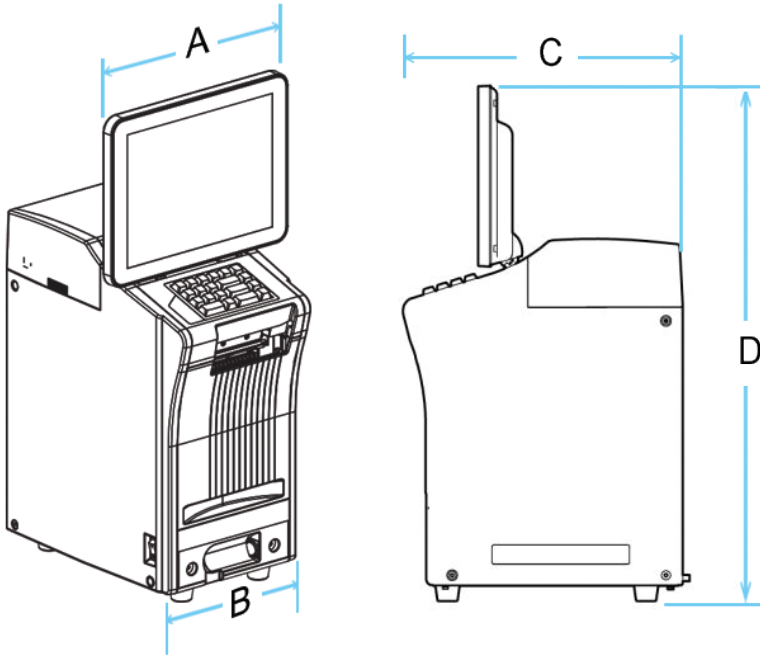
A	15.4 in (390 mm)	D	12.0 in (305 mm)
B	10.6 in (270 mm)	E	7.9 in (200 mm)
C	4.9 in (125 mm)		



DIMENSIONS

IP-Ai-P Controller

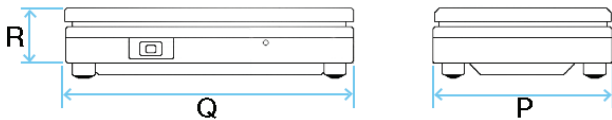
A	11.90 in (302 mm)	C	14.60 in (370 mm)
B	9.00 in (229 mm)	D	26.50 in (673 mm)



DIMENSIONS

30 lb Base

P	9.9 in (252 mm)	R	3.8 in (95 mm)
Q	16.9 in (430 mm)		



MULTI-PURPOSE
RETAIL SCALES

PRICE COMPUTING
SCALES

PRICE COMPUTING
PRINTING SCALES

LABELERS

WRAPPING
SYSTEMS

SOFTWARE

ACCESSORIES

POWER
CONDITIONING

RETAIL
LABELS

WARRANTY