

Ishida Uni-8RP

Remote Scale Base



Uni-8RP pictured with remote scale base and optional wrap station components (47672, 47670, 53963, 46927)

FEATURES

- Wi-Fi enabled
- Fixed side-load cassette with virtual function
- Prints safe handling instructions, country of origin, 2020 nutrition, custom text messages, custom images and more
- Top seller presets with scheduled or real-time updates
- Dynamic search and batch printing
- Dynamically generated QR code printing
- Customizable color touchscreen with adjustable viewing angle
- Assign color images to preset keys
- Display videos with sound
- PC-based with a solid-state drive for speed and reliability
- Secure remote access
- Fully compliant with RoHS regulations for a completely lead-free machine
- Filter for third-party driver communication
- Optional linerless kit
- Compatible with third-party software, including Upshop 360°, ADC's InterScale®, Invafresh's ePlum®, Toast®, Square® and Droste®



Uni-8RP Bench with remote scale base



Uni-8RP operator screen



SPECIFICATIONS

<p>Power: 100 to 240 VAC, 50/60 Hz</p> <p>Power Consumption: In operation: 120 W Stand-by: 50 W</p> <p>Resolution: 3,000 display divisions maximum</p> <p>Communications: LAN Static/DHCP Wi-Fi 802.11a/b/g/n/ac 2.4 GHz/5 GHz Security: WEP/WPA/WPA2/PEAP w/MSCHAPv2</p> <p>Input/Output: LAN Two USB-A (service, transaction data) RJ11</p>	<p>Operating System: Linux</p> <p>Memory Capacity: SSD 2 GB</p> <p>Preset Keys: 99 dynamically programmed groups with 99 sub pages</p> <p>Display: Operator: capacitive touch panel, TFT LCD color touchscreen with LED backlight with WSVGA, 10.1 in (800 × 600 px) Unit price: eight digits Tare: four digits Weight: five digits Total price: eight digits No customer-facing display</p>	<p>Printer: Printhead: 2.2 in (56 mm) direct thermal, effective 2.2 in (56 mm) Resolution: 200 dpi (8 dot/mm) Speed: 4.7 in/sec (120 mm/sec) max Min. weight: 0.015 lb (0.006 kg) Formats: customizable, up to 999 Barcodes: UPC, JAN, EAN, EAN128, CODE128, QR, ITE, GS1, Custom</p> <p>Label Size: Type: Die-cut, continuous, optional linerless label with kit Width (with liner): 1.2 to 2.5 in (30 to 64 mm) Width (linerless): 1.2 to 2.4 in (30 to 60 mm) Length (with liner): 1.2 to 7.9 in (30 to 200 mm) Length (linerless): 1.2 to 6.9 in (30 to 175 mm)</p>	<p>Label Roll: I.D.: 1.6-in (40 mm) min O.D.: 3.9-in (100 mm) max Backing width: 2.6-in (66 mm) max</p> <p>Platter: 15.5 × 9.5 in (394 × 241 mm)</p> <p>Weight: Approx. 47 lb (21 kg)</p> <p>Temperature: Operating: 23 °F to 104 °F (-5 °C to 40 °C)</p> <p>Humidity: 20 to 85% RH (without condensation)</p> <p>Warranty: One-year limited</p> <p>Approvals: NTEP 23-036 cULus Listed</p>
--	--	---	--



PART NUMBER/PRICE

PART #	MODEL/DESCRIPTION	SINGLE-RANGE CAPACITY	DUAL-RANGE CAPACITY	EST. SHIP WEIGHT	PRICE
233071	Uni-8RP scale with internal RF	0 to 30 × 0.01 lb	0 to 15 × 0.005 lb / 15 to 30 × 0.01 lb	45 lb	Consult

Ishida UNi-8RP

Remote Scale Base

OPTIONS/ACCESSORIES

PART #	DESCRIPTION	PRICE
47670	Wrap station base, (W × D × H) 22 × 23 × 32 in	Consult
47672	Wrap station left wing, (W × D) 14 × 22 in	Consult
46927	Wrap station right wing, (W × D) 14 × 22 in	Consult
53962	Wrap station right wing with hood, (W × D) 14 × 34 in	Consult
101139	Wrap station white-poly scale shelf (recommended when using optional right wing with hood, PN 53962)	Consult
53963	Wrap station all-purpose center shelf, (W × D) 24 × 15 in	Consult
104948	Scale base alignment plate	Consult
155176	Day Glow label dispenser for PN 47670	Consult
151761	Day Glow label dispenser spacer, pack of ten	Consult
170541	Linerless label modification kit	Consult
225296	Left side port cover	Consult
160906	USB flash memory, 1 GB	Consult

COMMUNICATION

PART #	DESCRIPTION	PRICE
152628*	ScaleLink Pro 5 license file, one license required per computer (version 2.62 or higher required)	Consult
78860	Cross cable, Ethernet CAT5, 6 ft	Consult

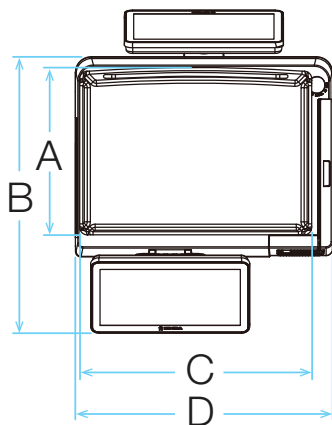
*Software key is provided after purchase and online registration is completed at www.ricelake.com/ishida-software-form

NOTE: Manuals and software programs can be downloaded from the distributor section of www.ricelake.com/retail

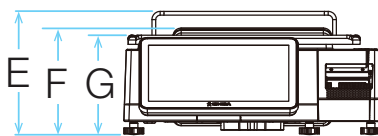
DIMENSIONS

Uni-8 Bench

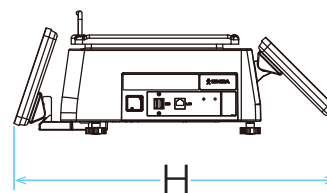
A	10.5 in (266 mm)	D	16.1 in (410 mm)	G	6.3 in (159 mm)
B	17.3 in (440 mm)	E	7.8 in (197 mm)	H	20.3 in (515 mm)
C	14.6 in (370 mm)	F	6.7 in (170 mm)		



Top



Front

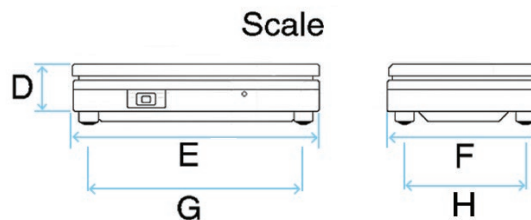


Left Side

DIMENSIONS

Remote Scale Base

D	3.7 in (95 mm)	G	13.8 in (350 mm)
E	15.7 in (400 mm)	H	7.9 in (200 mm)
F	10.0 in (254 mm)		



Scale

MULTI-PURPOSE
RETAIL SCALES

PRICE COMPUTING
SCALES

PRICE COMPUTING
PRINTING SCALES

LABELERS

WRAPPING
SYSTEMS

ACCESSORIES
SOFTWARE

POWER
CONDITIONING

RETAIL
LABELS

WARRANTY