



Standard Features

- Large LCD display
- Large 1-inch LCD display
- Two wheels for easy transport
- Plastic polymer nonslip platform
- Dual ramp
- Motiontrap™ movement compensation technology
- Unit of measure toggle or locking
- Serial and USB communication port
- Tare function
- Hold function
- Factory calibrated

Specifications

Capacity:

1,000 × 0.2 lb (450 × 0.1 kg)

Platform Dimensions Without Ramps:

(L × W × H)
29.50 × 32.00 × 2.40 in

Power:

9 VDC, provided by six AA alkaline batteries (included) or AC adapter (optional)

Battery Type:

Six AA alkaline (included)

Battery Use:

25 hours continuous use with batteries
Automatic power-off can be configured

Temperature:

Operating:
50 °F to 104 °F (14 °C to 40 °C)

Cable Length:

7 ft (2.1 m) cable between scale base and indicator

Display:

Five-digit LCD display, 0.75 in (1.9 cm) digit height

Warranty:

Two-year limited

Part Number/Price

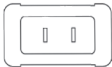
Part #	Model #	Capacity	Price
204397	Rice Lake VS-31	1,000 × 0.2 lb (450 × 0.1 kg) with USB	Consult

Shipping Weight

Part #	Model #	L (in)	W (in)	H (in)	Package Wgt. (lb)	Dim Wgt. (lb)	Shipping Wgt. (lb)
204397	Rice Lake VS-31	53	45	7	86	121	121

Options/Accessories

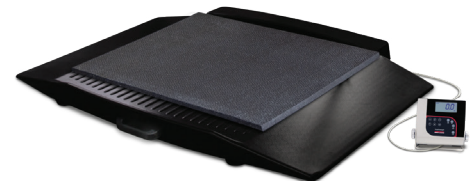
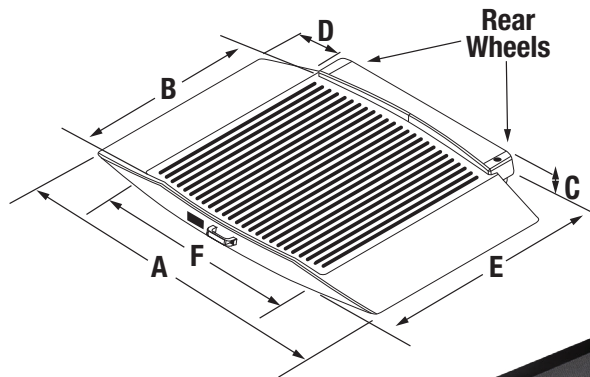
Part #	Description	Price
220767	Heavy-duty mat	Consult
133077 †	9 VDC adapter, 100 to 240 VAC, 50/60 Hz auto-switching	Consult



† NEMA 1-15 Plug

Dimensions

	Inches	Centimeters
A	48.50	123.2
B	32.00	81.3
C	2.40	6.1
D	9.30	23.6
E	38.00	96.5
F	29.50	74.9



Optional heavy-duty mat