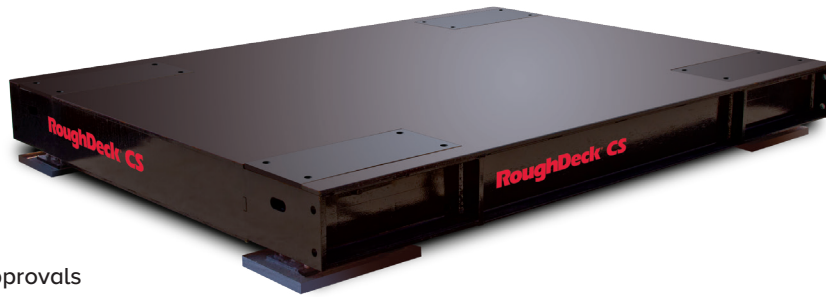


# RoughDeck® CS

Coil Floor Scale



## Approvals

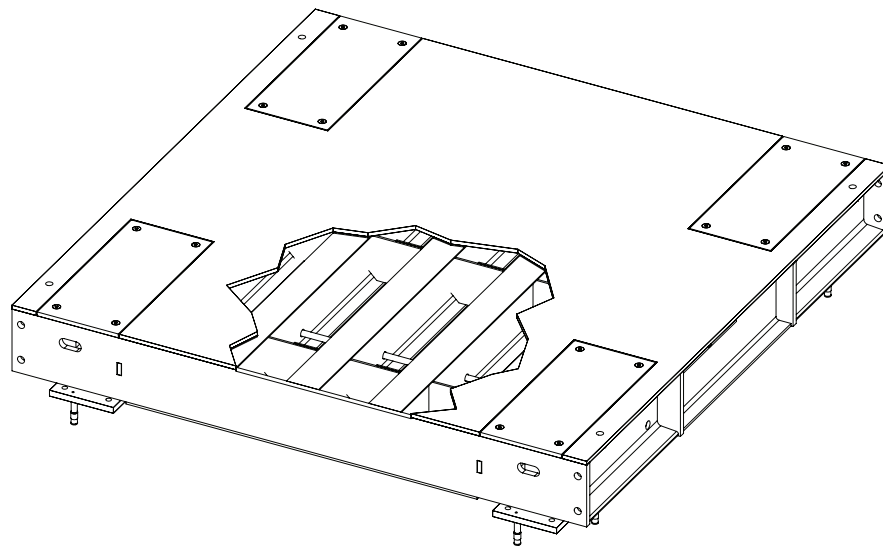


## Part Number/Price

Part #	Size (W x LW x H)	Capacity	Est. Weight	Price
107493	5 ft x 5 ft x 11 in	40,000 lb (20,000 kg)	1,900 lb	Consult
107494	5 ft x 5 ft x 11 in	60,000 lb (30,000 kg)	1,900 lb	Consult
107495	5 ft x 5 ft x 11 in	80,000 lb (40,000 kg)	1,900 lb	Consult
107496	6 ft x 6 ft x 11 in	40,000 lb (20,000 kg)	2,575 lb	Consult
107497	6 ft x 6 ft x 11 in	60,000 lb (30,000 kg)	2,575 lb	Consult
107498	6 ft x 6 ft x 11 in	80,000 lb (40,000 kg)	2,575 lb	Consult

## Options/Accessories

Part #	Description	Price
114678	V-Top coil cradle 24 degree (5 x 5 ft scale)	Consult
114684	V-Top coil cradle 24 degree (6 x 6 ft scale)	Consult
230366	V-top coil cradle 6 degree, (5 x 5 ft scale)	Consult
230367	V-top coil cradle 6 degree, (6 x 6 ft scale)	Consult
Consult	Pit coping	Consult



## Standard Features

- Capacities: 40,000 to 80,000 lb; consult factory for custom capacities
- Deck thickness: 1/2 in smooth top plate
- MVS self-checking mounting system, top access to load cells
- 20 ft SURVIVOR® EL147HE hostile environment load cell cable
- Ships unassembled with eight concrete anchor bolts

## Specifications

### Capacities:

Scale, load cell mount:  
 40,000 lb: Qty 4 50,000 lb each  
 60,000 lb: Qty 4 50,000 lb each  
 80,000 lb: Qty 4 75,000 lb each

### Understructure Clearance:

1.91 in minimum

### Cable Length:

20 ft (6.1 m) for connecting junction box to indicator

### Junction Box:

TuffSeal® JB4SS stainless steel, NEMA Type 4X junction box with signal trim card

### Welding:

Stitch

### Warranty (limited):

Weldment: Five years  
 Load cells: Two years  
 All other components: One year

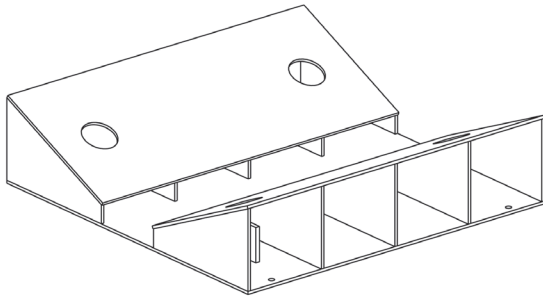
### Approvals:

NTEP 11-068, Class III, 5,000 d  
 Load Cell is NTEP  
 Load Cell is cFMus Approved

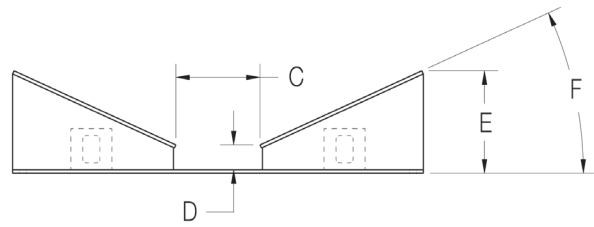
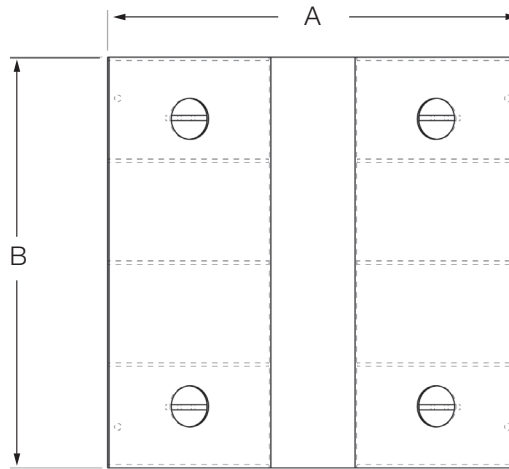
## Dimensions

RoughDeck CS			
5 × 5 ft V-Top Coil Cradle (24 degree)			
A	60.00 in	D	3.64 in
B	60.00 in	E	14.95 in
C	12.30 in	F	25°
6 × 6 ft V-Top Coil Cradle			
A	72.00 in	D	3.99 in
B	72.00 in	E	14.96 in
C	22.62 in	F	24°

Note: 1 in=25.4 mm



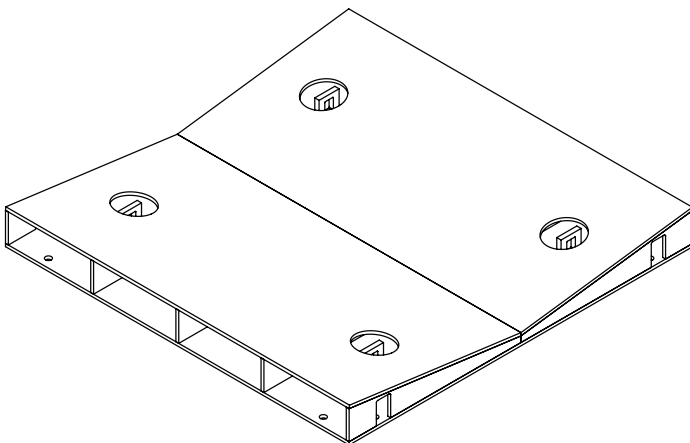
V-Top Coil Cradle



## Dimensions

RoughDeck CS			
5 × 5 ft V-Top Coil Cradle (6 degree)			
A	60.00 in	D	6.00 in
B	60.00 in	E	6°

Note: 1 in=25.4 mm



V-Top Coil Cradle

