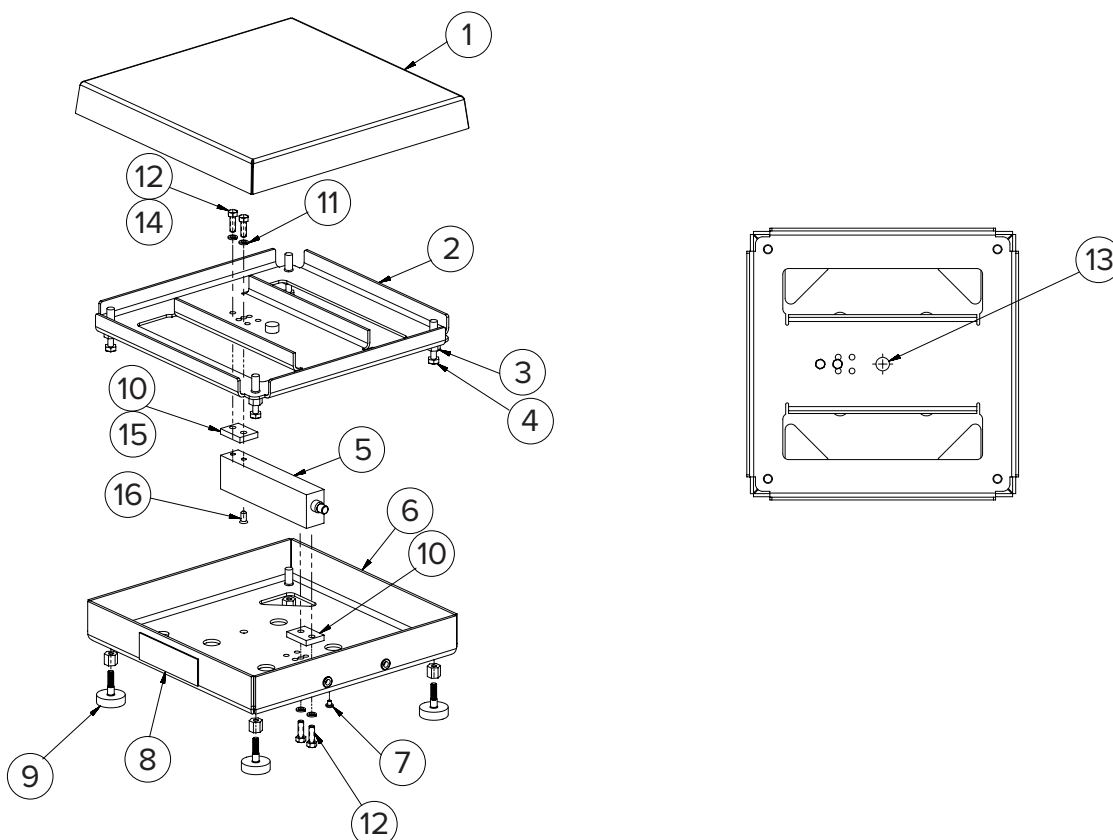


**Part Number/Price**

Ref #	Part #	Description	Price
	<b>200153</b>	Technical manual	Consult
1	<b>107144</b>	Cover, 10 × 10 in	Consult
1	<b>105457</b>	Cover, 12 × 12 in	Consult
2	<b>107140</b>	Spider Plate, 10 × 10 in	Consult
2	<b>105450</b>	Spider Plate, 12 × 12 in	Consult
3	<b>105555</b>	Coupling nut 1/4-20 NC × 0.48, hex stainless steel	Consult
4	<b>106462</b>	Screw, cap 1/4-20 NC × 1-1/2 hex stainless steel	Consult
5	<b>108685</b>	Load cell, RLPWM15HE-10 kg (5 lb and 10 lb models), 10 ft cable	Consult
5	<b>108686</b>	Load cell, RLPWM15HE-20 kg (25 lb models), 10 ft cable	Consult
5	<b>108688</b>	Load cell, RLPWM15HE-100 kg (50 lb and 100 lb models), 10 ft cable	Consult
5	<b>107174</b>	Load cell, RLPWM15HE - 10 kg (5 lb and 10 lb scale), 34 in cable	Consult
5	<b>107175</b>	Load cell, RLPWM15HE - 20 kg (25 lb scale), 34 in cable	Consult
5	<b>107176</b>	Load cell, RLPWM15HE - 50 kg (50 lb scale), 34 in cable	Consult
5	<b>107177</b>	Load cell, RLPWM15HE - 100 kg (100 lb scale), 34 in cable	Consult
6	<b>107142</b>	Base plate, 10 × 10 in	Consult
6	<b>105452</b>	Base plate, 12 × 12 in	Consult
7	<b>45329</b>	Screw, mach 8-32 NC × 3/16 stainless steel	Consult
8	<b>52342</b>	Label, bench scale	Consult
9	<b>107476</b>	Bench scale foot	Consult
10	<b>52383</b>	Load cell shim	Consult
11	<b>92168</b>	Lock washer M6 6 mm stainless steel	Consult
12	<b>85624</b>	Cap screw M6 full thread SS85	Consult
13	<b>15410</b>	Spirit level bubble, plastic	Consult
14	<b>21948</b>	Screw, load cell	Consult
15	<b>35082</b>	Top shim, load cell	Consult
16	<b>213084</b>	Cap screw M6 flat SS	Consult



Bench Scales