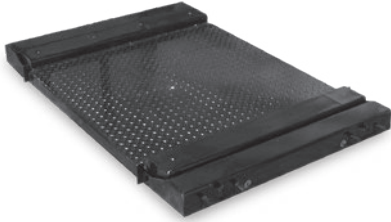


FLOOR SCALES

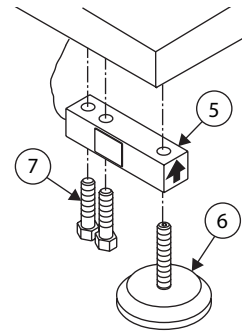
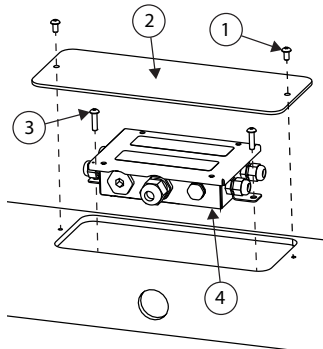
RoughDeck® BDP Mild Steel

Portability Model



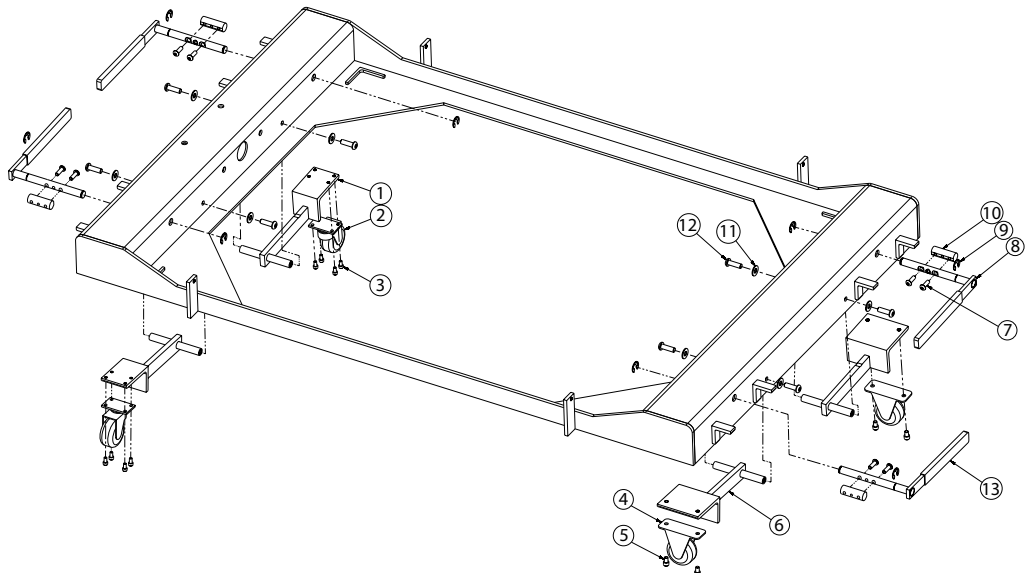
Part Number/Price

Ref#	Part#	Description	Qty	Price
Scale				
1	14932	Screw, cap 10-32NF × 3/8		Consult
2	78568	Cover, top access j-box		Consult
3	14938	Screw, cap 10 - 32NF × 3/4	4	Consult
4	99381	J-box, JB4SS 4-channel		Consult
5	189152	Load cell, SEB RL32018		Consult
6	18756	Foot, floor scale		Consult
7	15071	Screw, cap 1/2-20 NF × 1.939		Consult



Part Number/Price

Ref#	Part#	Description	Qty	Price
Portability Kit				
1	78426	Swivel caster support	2	Consult
2	78841	Caster swivel	2	Consult
3	14931	Screw, cap 10 - 32NF × 3/8	8	Consult
4	78842	Caster rigid	2	Consult
5	14952	Screw, 1/4 - 20NC	4	Consult
6	78430	Caster support	2	Consult
7	41251	Screw, cap 1/4 - 20NC × 3/4	8	Consult
8	78437	Caster handle	4	Consult
9	79418	Retaining ring	8	Consult
10	78988	Cam	4	Consult
11	79024	Nylon washer 5/16 in	8	Consult
12	72359	Screw, 5/16 - 18NC 3/4	8	Consult
13	78434	Grip handle	4	Consult



Floor Scales