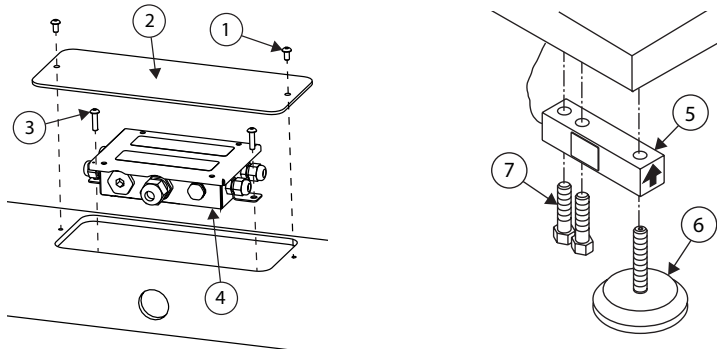


RoughDeck® BDP Stainless Steel

Portability Model

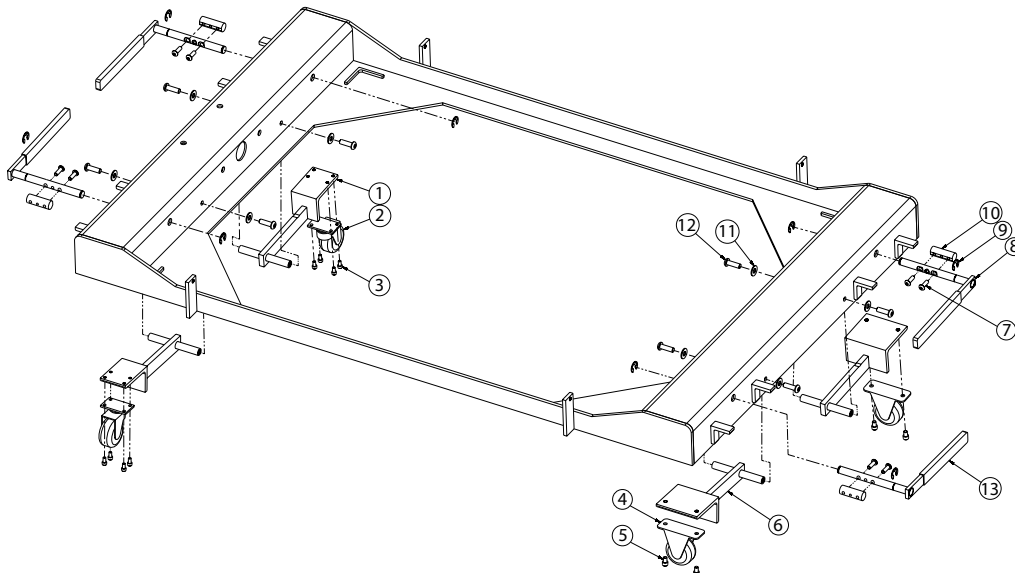
Part Number/Price

Ref#	Part#	Description	Qty	Price
Scale				
1	46337	Screw, cap 10-32NF × 3/8		Consult
2	78570	Cover, top access j-box		Consult
3	79073	Screw, cap 10 - 32 NF × 3/4	4	Consult
4	99381	J-box, JB4SS 4-channel		Consult
5	189164	Load cell, SEB RL32018		Consult
6	18756	Foot, floor scale		Consult
7	46258	Screw, cap 1/2-20 NF × 1.939		Consult



Part Number/Price

Ref#	Part#	Description	Qty	Price
Portability Kit				
1	78463	Swivel caster support	2	Consult
2	78841	Caster swivel	2	Consult
3	79119	Screw, cap 10 - 32 NF × 3/8	8	Consult
4	78842	Caster rigid	2	Consult
5	35129	Screw, 1/4 - 20 NC	4	Consult
6	78467	Caster support	2	Consult
7	41251	Screw, cap 1/4 - 20 NC × 3/4	8	Consult
8	78437	Caster handle	4	Consult
9	47713	Retaining ring	8	Consult
10	78988	Cam	4	Consult
11	79024	Nylon washer 5/16 in	8	Consult
12	79133	Screw, 5/16 - 18 NC 3/4	8	Consult
13	78434	Grip handle	4	Consult



Floor Scales