

Uni-8 Series

PRICE COMPUTING SCALE WITH
PRINTER AND COLOR TOUCHSCREEN



RICE LAKE
RETAIL SOLUTIONS

ISHIDA

800-472-6703

www.ricelake.com/retail

Flexibility Meets Customization

The Ishida Uni-8 is an excellent fit for stores looking for high-end features at a mid-range price.

Layout and Display

The Ishida Uni-8 price computing retail scale has a 10-inch LCD operator screen for clear visibility and flexibility. The operation screen can be customized for frequently used functions such as PLU presets, categories, top sellers and more for quicker employee access. Choose from bench, pole or hanging scale types to best fit the needs of your store. This scale's large memory stores high-quality images and videos, allowing you to show in-store promotions on the customer-facing display.



Multiple Label Types

The Uni-8 supports die-cut, continuous or linerless labels through media side-loading.



Connectivity and Communication

The Uni-8 has high-speed wired or wireless communication with gigabit Ethernet, making it possible to easily process large files. State-of-the-art technology within the scale allows for more compatibility and flexibility with external systems in your store such as Ishida's ScaleLink Pro 5 scale management software. Remote maintenance access is also available to help your system get up and running quickly.

BENCH

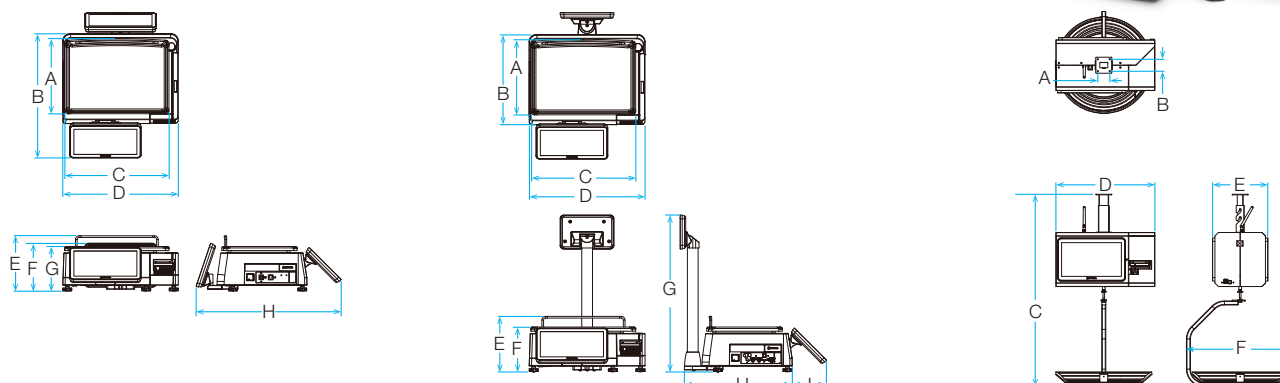


POLE

HANGING

Uni-8 Series

PRICE COMPUTING SCALE WITH
PRINTER AND COLOR TOUCHSCREEN



BENCH TYPE (B) DIMENSIONS			
A	10.5 in (266 mm)	E	7.7 in (197 mm)
B	17.3 in (440 mm)	F	6.7 in (170 mm)
C	14.6 in (370 mm)	G	6.3 in (159 mm)
D	16.1 in (410 mm)	H	20.3 in (515 mm)

POLE TYPE (P) DIMENSIONS			
A	10.5 in (266 mm)	F	6.3 in (159 mm)
B	12.6 in (319 mm)	G	21.9 in (555 mm)
C	14.6 in (370 mm)	H	15.0 in (382 mm)
D	16.1 in (410 mm)	I	3.7-5.6 in (93-143 mm)
E	7.7 in (197 mm)		

HANGING TYPE (H) DIMENSIONS			
A	1.8 in (45 mm)	D	14.6 in (370 mm)
B	1.8 in (45 mm)	E	8.1 in (207 mm)
C	28.3 in (719 mm)	F	15.0 in (382 mm)

STANDARD FEATURES

- Large color touchscreen (10 in)
- Adjustable touchscreen viewing angle
- Play videos with sound on customer and operator display
- 10 in (800 × 600) operator display
7 in (800 × 480) customer display
- Dual-range weighing (0 to 15 lb × 0.005 lb, 15 to 30 lb × 0.01 lb)
- Label printing: die-cut labels and/or continuous paper
- Customizable label formats: 999
- Intranet browsing capabilities for order entry, recipe lookup and more
- PC-based scale operating system
- Solid state drive eliminates moving parts
- SD memory card slot
- SSD memory 250 MB
- Up to 120 mm/sec print speed
- 2020 nutrition labeling
- Configurable for different languages including Spanish, French and German
- Fully compliant with RoHS regulations for a completely lead-free machine
- Barcodes: EAN/UPC 8/12/13, ITF FS1, QR CODE, GS1, CODE128 and EAN128
- Compatible with many third-party software communication packages

OPTIONS/ACCESSORIES

- ScaleLink Pro 5 scale management software, including label design, data backup and remote diagnostics
- Seafood/Produce platter
- Linerless label kit

PART NUMBERS AND MODEL DESCRIPTIONS

Part #	Uni-8 Model Description
220030	Bench
220031	Pole
220032	Hanging

SPECIFICATIONS

SCALE UNIT

CAPACITY/DIVISION: 0-15 lb × 0.005 lb / 15-30 lb × 0.01 lb (multi-interval)
0-30 lb × 0.01 lb (single range)
0-6 kg × 0.002 kg / 6-15 kg × 0.005 kg (multi-interval)
0-15 kg × 0.005 kg (single range)

SCALE PLATTER SIZE: Bench / Pole: 14.5 × 10.5 in (386 × 267 mm)
Hanging: 15 in (382 mm) dia.

DISPLAY

SIZE: Operator side: 10.1 in; customer side: 7 in
SYSTEMS: Capacitive touch panel

PRINTER

MEDIA TYPE: Die-cut label; continuous label / linerless label / receipt
MEDIA SIZE: Outside diameter of roll: Max. 100 mm (4.0 in) or less
Inner core diameter: 40 mm +/- 1 mm (1.6 in)
Width: 30-64 mm (linerless label: 60 mm)
Length: 30-200 mm (linerless label: 30-175 mm)

CASSETTE: Non-cassette (virtual cassette function)

THERMAL HEAD: 2.2 in (56 mm)

RESOLUTION: 8 dot/mm (200 dpi)

SPEED OF PRINTING: Max: 120 mm/sec

PRINTING WIDTH: Max: 56 mm

PRINTING LENGTH: Max: 200 mm

BAR CODE TYPE: JAN, EAN, EAN128, CODE128, UPC, ITF, GS1, QR

CONTROL

I/O PORT: TCP/IP, USB, RS-485, connector for external scale

OS: Linux

COMMUNICATION: Ethernet, wireless

Self Service mode is available for any bench, pole or hanging scale

APPROVALS:

