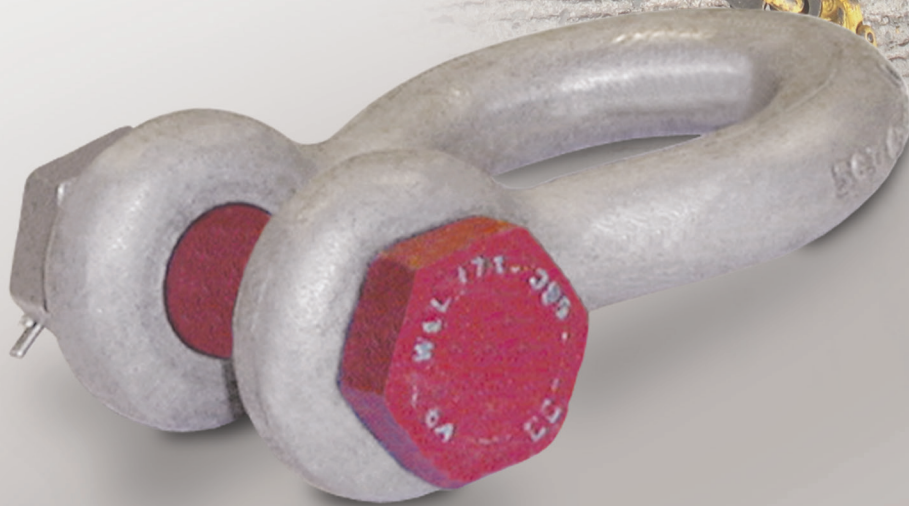


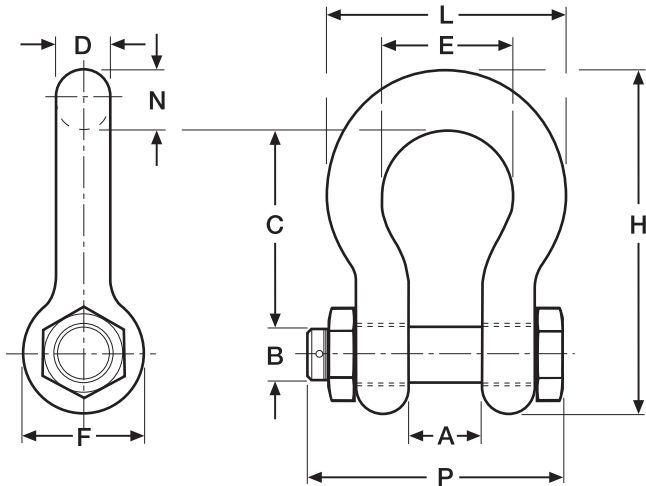
MSI  
**Accessory Shackles**



**RICE LAKE**<sup>®</sup>  
WEIGHING SYSTEMS

800-874-4320  
[www.ricelake.com/msi](http://www.ricelake.com/msi)

# MSI ACCESSORY SHACKLES



Rice Lake Part Number	MSI Part Number	W.L.L. Tons	Size (inch)	Dimensions (inch)											Weight (lb)
				A	B	C	D	E	F	H	L	N	P		
151357	10541	3.25 ton	0.63 in	1.06 in	0.75 in	2.38 in	0.63 in	1.69 in	1.56 in	4.22 in	2.94 in	0.69 in	3.63 in	1.58 lb	
151355	10538	6.5 ton	0.88 in	1.44 in	1.00 in	3.31 in	0.88 in	2.28 in	2.13 in	5.75 in	4.03 in	0.97 in	5.00 in	3.95 lb	
141992	10539	17 ton	1.50 in	2.38 in	1.63 in	5.75 in	1.50 in	3.88 in	3.63 in	9.88 in	6.88 in	1.62 in	8.25 in	19.50 lb	
151356	10540	25 ton	1.75 in	2.88 in	2.00 in	7.00 in	1.75 in	5.00 in	4.32 in	11.88 in	8.50 in	2.12 in	9.59 in	31.30 lb	
146334	23650-0030	30 ton	1.50 in	2.38 in	1.63 in	5.75 in	1.50 in	3.88 in	3.63 in	9.88 in	6.88 in	1.62 in	8.25 in	20.80 lb	
146335	23650-0040	40 ton	1.75 in	2.88 in	2.00 in	7.00 in	1.75 in	5.00 in	4.32 in	11.88 in	8.50 in	2.12 in	9.59 in	33.91 lb	
146336	23650-0050	55 ton	2.00 in	3.25 in	2.25 in	7.75 in	2.00 in	5.75 in	5.00 in	13.38 in	9.75 in	2.00 in	11.00 in	51.75 lb	
151360	23650-0110	110 ton	3.00 in	5.00 in	3.25 in	13.00 in	3.00 in	7.88 in	6.50 in	21.50 in	14.50 in	3.63 in	16.50 in	178.00 lb	
151361	23650-0175	175 ton	4.00 in	5.50 in	4.25 in	14.50 in	4.00 in	10.00 in	9.00 in	25.69 in	18.38 in	4.56 in	19.75 in	338.00 lb	
Oversized Shackles	Oversized Shackles	W.L.L. Tons	Size	A	B	C	D	E	F	H	L	N	P	Weight (lb)	
148497	501386-0100	40 ton	1.75 in	2.88 in	2.00 in	10.00 in	2.25 in	6.00 in	4.32 in	15.35 in	10.50 in	2.25 in	9.00 in	45.00 lb	
148393	501082-0100	40 ton	2.25 in	2.88 in	2.00 in	12.50 in	2.25 in	8.00 in	4.32 in	17.85 in	12.50 in	2.25 in	10.00 in	90.00 lb	
148394	501083-0100	50 ton	2.00 in	3.25 in	2.25 in	12.25 in	2.50 in	8.00 in	5.00 in	18.50 in	13.00 in	2.50 in	11.00 in	72.00 lb	
Shims	Shims	146534	30013-0112	For use with 50,000 / 70,000 lb MSI crane scales											

Technical specifications subject to change without notice. Weights listed are approximate.



Your Rice Lake Weighing Systems distributor is:

**RICE LAKE**  
WEIGHING SYSTEMS

230 W. Coleman St. • Rice Lake, WI 54868 • USA  
TEL: 715-234-9171 • FAX: 715-234-6967 • [www.ricelake.com](http://www.ricelake.com)

An ISO 9001 registered company © 2017 Rice Lake Weighing Systems PN 154711 11/17  
Specifications subject to change without notice.